



UC1907
UC2907
UC3907

Load Share Controller

FEATURES

- Fully Differential High Impedance Voltage Sensing
- Accurate Current Amplifier for Precise Current Sharing
- Opto Coupler Driving Capability
- 1.25% Trimmed Reference
- Master Status Indication
- 4.5V TO 35V Operation

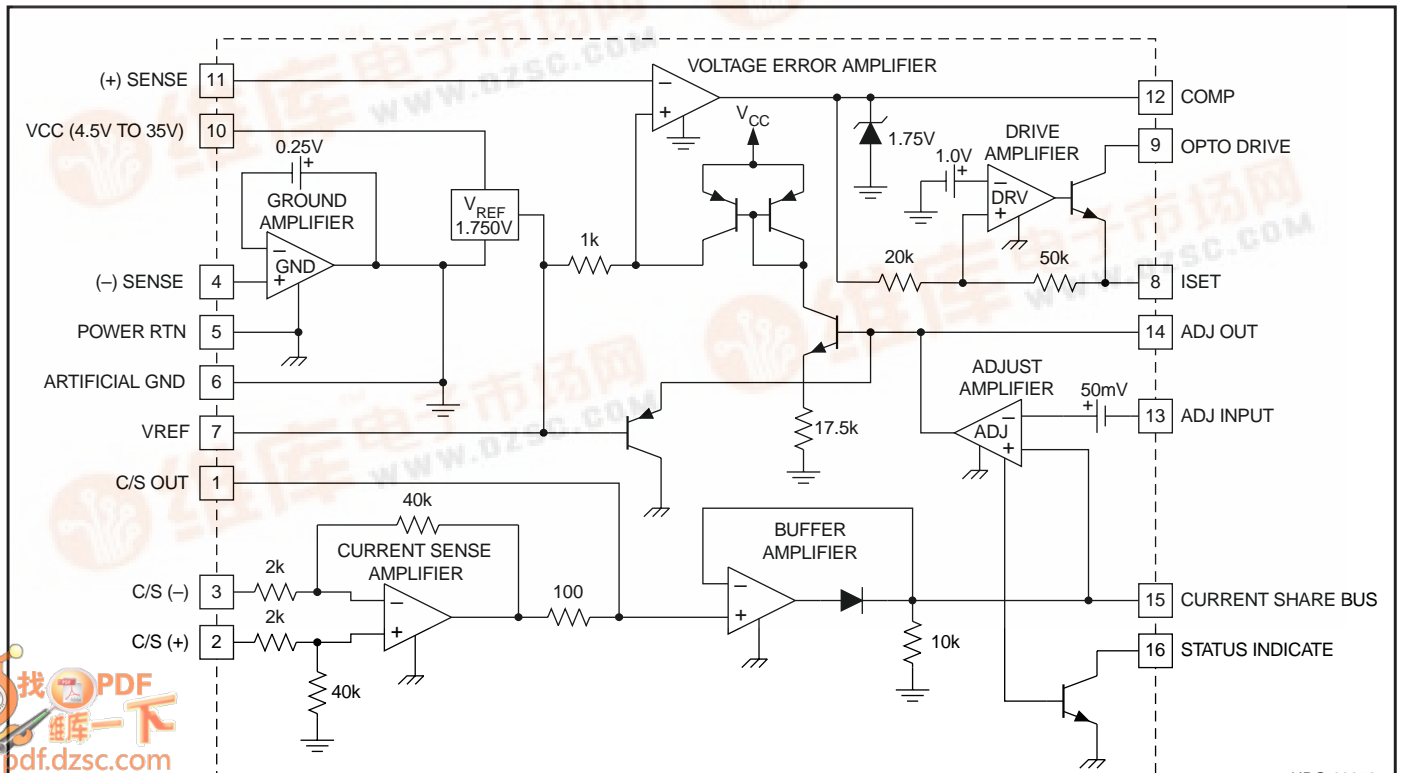
DESCRIPTION

The UC3907 family of Load Share Controller ICs provides all the necessary features to allow multiple independent power modules to be paralleled such that each module supplies only its proportionate share to total load current. This sharing is accomplished by controlling each module's power stage with a command generated from a voltage feedback amplifier whose reference can be independently adjusted in response to a common share bus voltage. By monitoring the current from each module, the current share bus circuitry determines which paralleled module would normally have the highest output current and, with the designation of this unit as the master, adjusts all the other modules to increase their output current to within 2.5% of that of the master.

The current share bus signal interconnecting all the paralleled modules is a low-impedance, noise-insensitive line which will not interfere with allowing each module to act independently should the bus become open or shorted to ground. The UC3907 controller will reside on the output side of each power module and its overall function is to supply a voltage feedback loop. The specific architecture of the power stage is unimportant. Either switching or linear designs may be utilized and the control signal may be either directly coupled or isolated though the use of an opto coupler or other isolated medium.

Other features of the UC3907 include 1.25% accurate reference: a low-loss, fixed gain current sense amplifier, a fully differential, high-impedance voltage sensing capability, and a status indicator to designate which module is performing as master.

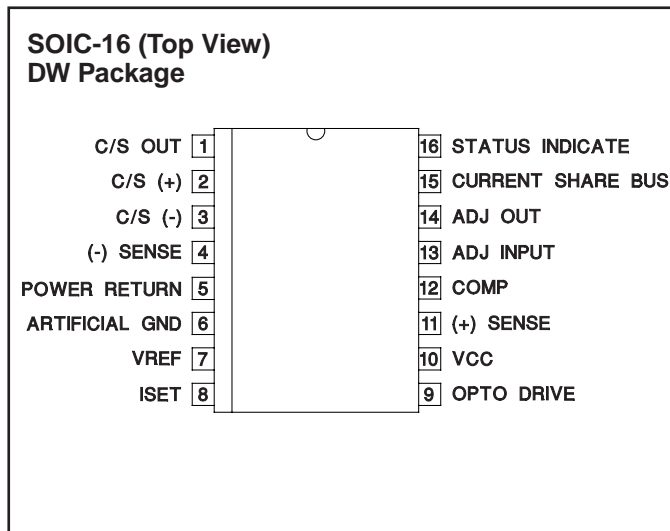
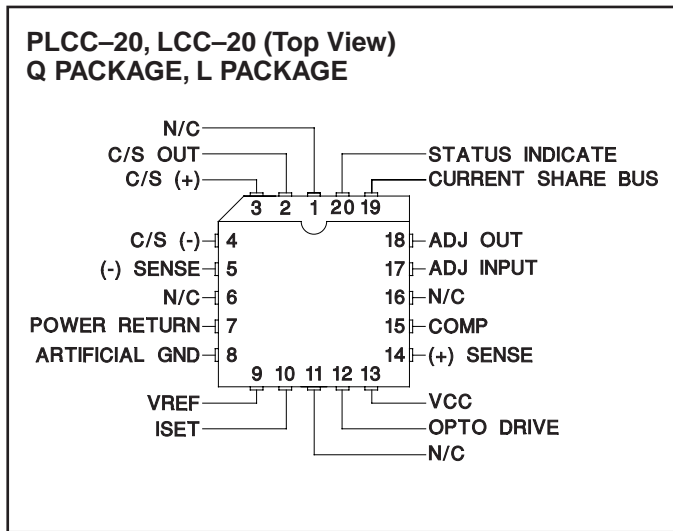
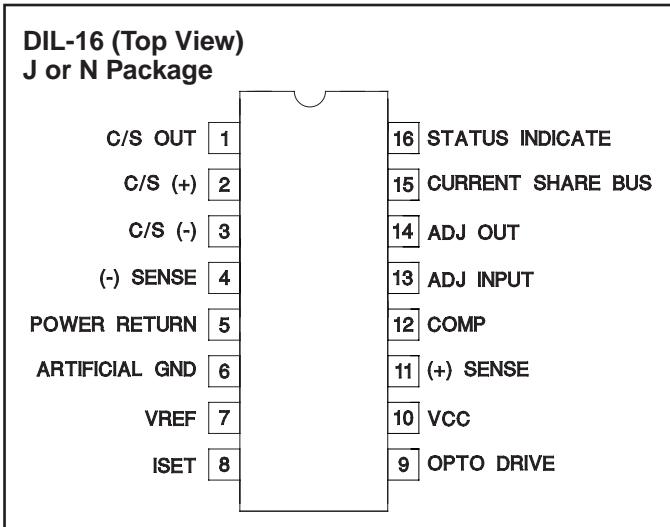
BLOCK DIAGRAM



ABSOLUTE MAXIMUM RATINGS

Supply Voltage +35V
 Opto Out Voltage +35V
 Opto Out Current +20mA
 Status Indicate Sink Current +20mA
 C/S Input Voltage +35V
 Share Bus Voltage – 0.3V to +35V
 Other Analog Inputs and Outputs (Zener clamped)
 Maximum Forced Voltage – 0.3V to +10V
 Maximum Forced Current ±10mA
 Ground Amp Sink Current +50mA
 Pins 1, 9, 12, 15 Sink Current +20mA
 Storage Temperature Range – 65°C to +150°C
 Junction Temperature – 55°C to +150°C
 Lead Temperature (Solder 10 Seconds) +300°C
Pin Nos. refer to 16 Pin DIL Package
Currents are positive into, negative out of the specified terminal. Consult packaging section of databook for thermal limitations and considerations of package.

CONNECTION DIAGRAMS



ELECTRICAL CHARACTERISTICS: Unless otherwise stated these specifications apply for T_A = –55°C to +125°C for UC1907; –40°C to +85°C for UC2907; and 0°C to +70°C for UC3907; V_{IN} = 15V, T_A=T_J.

PARAMETER	TEST CONDITIONS	MIN	TYP	MAX	UNITS
Voltage Amp Section					
Input Voltage	COMP = 1V, T _A = 25°C	1.975	2.000	2.025	V
	COMP = 1V, Over Temp	1.960	2.000	2.040	V
Line Regulation	V _{IN} = 4.5V to 35V			15	mV
Load Regulation	I _L Reference = 0.0mA to – 10mA			10	mV
Long Term Stability	T _A = 125°C, 1000hrs (Note 2)		5	25	mV
Total Output Variation	Line, Load, Temp	1.960		2.040	
Input Adjust Range	ADJ OUT from max high to max low	85	100	115	mV
Input Bias Current		–1			µA
Open Loop Gain	COMP = 0.75V to 1.5V	65			dB
Unity Gain Bandwidth	T _A = 25°C (Note 2)	700			kHz
Output Sink Current	(+) SENSE = 2.2V, COMP = 1V	6	15		mA
Output Source Current	(+) SENSE = 1.8V, COMP = 1V	400	600		µA
V _{OUT} High	(+) SENSE = 1.8V, I _L = – 400µa	1.85	2		V

ELECTRICAL CHARACTERISTICS: Unless otherwise stated these specifications apply for $T_A = -55^\circ\text{C}$ to $+125^\circ\text{C}$ for UC1907; -40°C to $+85^\circ\text{C}$ for UC2907; and 0°C to $+70^\circ\text{C}$ for UC3907; $V_{IN} = 15\text{V}$, $T_A = T_J$.

PARAMETER	TEST CONDITIONS	MIN	TYP	MAX	UNITS
Reference Section					
Output Voltage	$T_A = 25^\circ\text{C}$	1.970	2.000	2.030	V
	Over Operating Temp	1.955	2.000	2.045	V
Short Circuit Current	$V_{REF} = 0.0\text{V}$	- 15	- 30	- 60	mA
Ground Amp Section					
Output Voltage		200	250	300	mV
Common Mode Variation	(-) SENSE from 0.0V to 2V			5	mV
Load Regulation	$I_L = 0.0\text{mA}$ to 20mA , $T_A = 25^\circ\text{C}$			10	mV
	$I_L = 0.0\text{mA}$ to 20mA , Over Temp			15	mV
Adjust Amp Section					
Input Offset Voltage	ADJ OUT = 1.5V, $V_{cm} = 0.0\text{V}$	40	50	60	mV
Input Bias Current		- 2			μA
Open Loop Gain	$1.5\text{V} \leq \text{ADJ OUT} \leq 2.25\text{V}$	65			dB
Unity Gain Bandwidth	$T_A = 25^\circ\text{C}$, $C_{OUT} = 1\mu\text{F}$ (Note 2)		500		Hz
Transconductance	$I_{OUT} = - 10\mu\text{A}$ to $+10\mu\text{A}$, $V_{OUT} = 1.5\text{V}$	1.7	3	4.5	ms
Output Sink Current	$V_{id} = 0.0\text{V}$, ADJ OUT = 1.5V	55	135	225	μA
Output Source Current	$V_{id} = 250\text{mV}$, ADJ OUT = 1.5V	110	200	350	μA
V_{OUT} High	$V_{id} = 250\text{mV}$, $I_{OUT} = - 50\mu\text{A}$	2.20	2.70	2.90	V
V_{OUT} Low	$V_{id} = 0.0\text{V}$, $I_{OUT} = 50\mu\text{A}$		0.75	1.15	V
Common Mode Rejection Ratio	$V_{cm} = 0.0$ to 10V	70			dB
Output Gain to V/A	V_{OUT} ADJ OUT = 1.5V to 2V	50	57	64	mV/V
	$\Delta(+)$ SENSE/ Δ ADJ OUT				
Current Amp Section					
Gain	$V_{cm} = 0.0\text{V}$, $V_{id} = 50\text{mV}$ to 100mV	19.2	19.6	20.1	V/V
Output Voltage	$V_{c/s (+)} = V_{c/s (-)} = 0.0\text{V}$, $T_A = 25^\circ\text{C}$	210	250	290	mV
	$V_{c/s (+)} = V_{c/s (-)} = 0.0\text{V}$, Over Temp	180	250	330	mV
Input Offset Change with Common Mode Input	$V_{cm} = 0\text{V}$ to 13V			600	$\mu\text{V/V}$
V_{OUT} High	$V_{id} = 1\text{V}$	10	14.5		V
V_{OUT} Low	$V_{id} = - 1\text{V}$, $I_L = 1\text{mA}$		350	450	mV
Power Supply Rejection Ratio	$V_{IN} = 4.5\text{V}$ to 35V , $V_{cm} = 0.0\text{V}$	60			dB
Slew Rate			0.4		V/ μs
Drive Amp Section Rset = 500Ω to Artificial Gnd, Opto Drive = 15V					
Voltage Gain	COMP = 0.5V to 1V	2.3	2.5	2.6	V/V
I_{SET} V_{OUT} High	(+) SENSE = 2.2V	3.8	4.1	4.4	V
I_{SET} V_{OUT} Low	(+) SENSE = 1.8V		270	300	mV
Opto out Voltage Range		4		35	V
Zero Current Input Threshold		1.55	1.65	1.75	V
Buffer Amp Section					
Input Offset Voltage	Input = 1V			5	mV
Output Off Impedance	Input = 1V, Output = 1.5V to 2V	5	10	20	k Ω
Output Source Current	Input = 1V, Output = 0.5V	6	15		mA
Common Mode Rejection Ratio	$V_{cm} = 0.3\text{V}$ to 10V	70			dB
Power Supply Rejection Ratio	$V_{IN} = 4.5\text{V}$ to 35V	70			dB

ELECTRICAL CHARACTERISTICS: Unless otherwise stated these specifications apply for $T_A = -55^{\circ}\text{C}$ to $+125^{\circ}\text{C}$ for UC1907; -40°C to $+85^{\circ}\text{C}$ for UC2907; and 0°C to $+70^{\circ}\text{C}$ for UC3907; $V_{IN} = 15\text{V}$, $T_A = T_J$.

PARAMETER	TEST CONDITIONS	MIN	TYP	MAX	UNITS
Under Voltage Lockout Section					
Startup Threshold			3.7	4.4	V
Threshold Hysteresis			20		mV
Status Indicate Section					
V_{OUT} Low	ADJ OUT = Current Share Bus		0.2	0.5	V
Output Leakage	ADJ OUT = 1V, $V_{OUT} = 35\text{V}$		0.1	5	μA
Total Stand by Current Section					
Startup Current	$V_{IN} = UVLO - 0.2\text{V}$		3	5	mA
Operating Current	$V_{IN} = 35\text{V}$		6	10	mA

Note 1: Unless otherwise specified all voltages are with respect to (-) SENSE. Currents are positive into, negative out of the specified terminal.

Note 2: Guaranteed by design. Not 100% tested in production.

PIN/BLOCK DESCRIPTIONS

(-) SENSE (Pin 4) - This is a high-impedance pin intended to allow remote sensing of the system ground, bypassing any voltage drops which might appear in the power return line. **This point should be considered as the “true” ground. Unless otherwise stated, all voltages are with respect to this point.**

ARTIFICIAL GROUND (Pin 6) - This is a low impedance circuit ground which is exactly 250 millivolts above the (-) SENSE terminal. This offset allows the Ground Buffer Amplifier negative headroom to return all the control bias and operating currents while maintaining a high impedance at the (-) SENSE input.

POWER RTN (Pin 5) - This should be the most negative voltage available and can range from zero to 5V below the (-) SENSE terminal. It should be connected as close to the power source as possible so that voltage drops across the return line and current sensing impedances lie between this terminal and the (-) SENSE point.

VREF (Pin 7) - The internal Voltage Reference is a band-gap circuit set at 2.0 Volts with respect to the (-) SENSE input (1.75V above the ARTIFICIAL GROUND), and an accuracy of $\pm 1.5\%$. This circuit, as well as all the other chip functions, will work over a supply voltage range of 4.5V to 35V allowing operation from unregulated DC, an auxiliary voltage, or the same output voltage that it is controlling. Under voltage lockout has been included to insure proper startup by disabling internal bias currents until the reference rises into regulation.

VOLTAGE AMPLIFIER (Pins 11, 12) - This circuit is the feedback control gain stage for the power module's output voltage regulation, and overall loop compensation will normally be applied around this amplifier. Its output will swing from slightly above the ground return to an internal

clamp of 2.0 Volts. The reference trimming is performed closed loop, and measured at pin 11, (+) SENSE. The value is trimmed to $2\text{V} \pm 1.25\%$.

DRIVE AMPLIFIER (Pins 8, 9, 12) - This amplifier is used as an inverting buffer between the Voltage Amplifier's output and the medium used to couple the feedback signal to the power controller. It has a fixed voltage gain of 2.5 and is usually configured with a current-setting resistor to ground. This establishes a current - sinking output optimized to drive optical couplers biased at any voltage from 4.5V to 35V, with current levels up to 20mA. The polarity of this stage is such that an increasing voltage at the Voltage Amplifier's sense input (as, for example, at turn on) will increase the opto's current. In a nonisolated application, a voltage signal ranging from 0.25V to 4.1V may be taken from the current-setting output but it should be noted that this voltage will also increase with increasing sense voltage and an external inverter may be required to obtain the correct feedback polarity.

CURRENT AMPLIFIER (Pins 1, 2, 3) - This amplifier has differential sensing capability for use with an external shunt in the power return line. The common-mode range of its input will accommodate the full range between the Power Return point and $V_{CC} - 2\text{V}$ which will allow undefined line impedances on either side of the current shunt. The gain is internally set at 20 giving the user the ability to establish the maximum voltage drop across the current sense resistor at any value between 50 and 500 millivolts. While the bandwidth of this amplifier may be reduced with the addition of an external output capacitor to ground, in most cases this is not required as the compensation of the Adjust Amplifier will typically form the dominant pole in the adjust loop.

PIN/BLOCK DESCRIPTIONS (cont.)

BUFFER AMPLIFIER (Pins 1, 15) - This amplifier is a uni-directional buffer which drives the CURRENT SHARE BUS - the line which will interconnect all power modules paralleled for current sharing. Since the Buffer Amplifier will only source current, it insures that the module with the highest output current will be the master and drive the bus with a low-impedance drive capability. All other Buffer Amplifiers will be inactive with each exhibiting a 10kohm load impedance to ground. The Share Bus terminal is protected against both shorts to ground and accidental voltages in excess of 50 Volts.

ADJUST AMPLIFIER (Pins 13, 14, 15) - This amplifier adjusts the individual module's reference voltage to maintain equal current sharing. It is a transconductance type in order that its bandwidth may be limited, and noise kept out of the reference adjust circuitry, with a simple capacitor to ground. The function of this amplifier is to compare its own module output current to the Share Bus signal - which represents the highest output current - and force an adjust command which is capable of increasing the reference voltage as seen by the voltage amplifier by as much as 100 millivolts. This number stems from the 17.5:1 internal resistor ratio between the Adjust Amplifier's clamped output and the reference, and represents a 5% total range of adjustment - a value which should be adequate to compensate for unit-to-unit reference and

external resistor tolerances. The Adjust Amplifier has a built-in 50mV offset on its inverting input which will force the unit acting as the master to have a low output resulting in no change to the reference. While this 50mV offset represents an error in current sharing, the gain of the current amplifier reduces it to only 2.5mV across the current sense resistor. It should also be noted that when the module is acting independently with no connection to the Share Bus node, or when the Share Bus node is shorted to ground, its reference voltage will be unchanged. Since only the circuit acting as a master will have a low output from the Adjust Amplifier, this signal is used to activate a flag output to identify the master should some corrective action be needed.

STATUS INDICATE (Pin 16) - This pin is an open collector output intended to indicate the unit which is acting as the master. It achieves this by sensing when the adjust amp is in its low state and pulling the status indicate pin low.

ADDITIONAL INFORMATION

Please refer to additional application information.

[1] Application Note U-129, *UC3907 Load Share IC Simplifies Parallel Power Supply Design* by Mark Jordan.

[2] Application Note U-163, *UC3902 Load Share Controller and its Performance in Distributed Power Systems* by Laszlo Balogh.

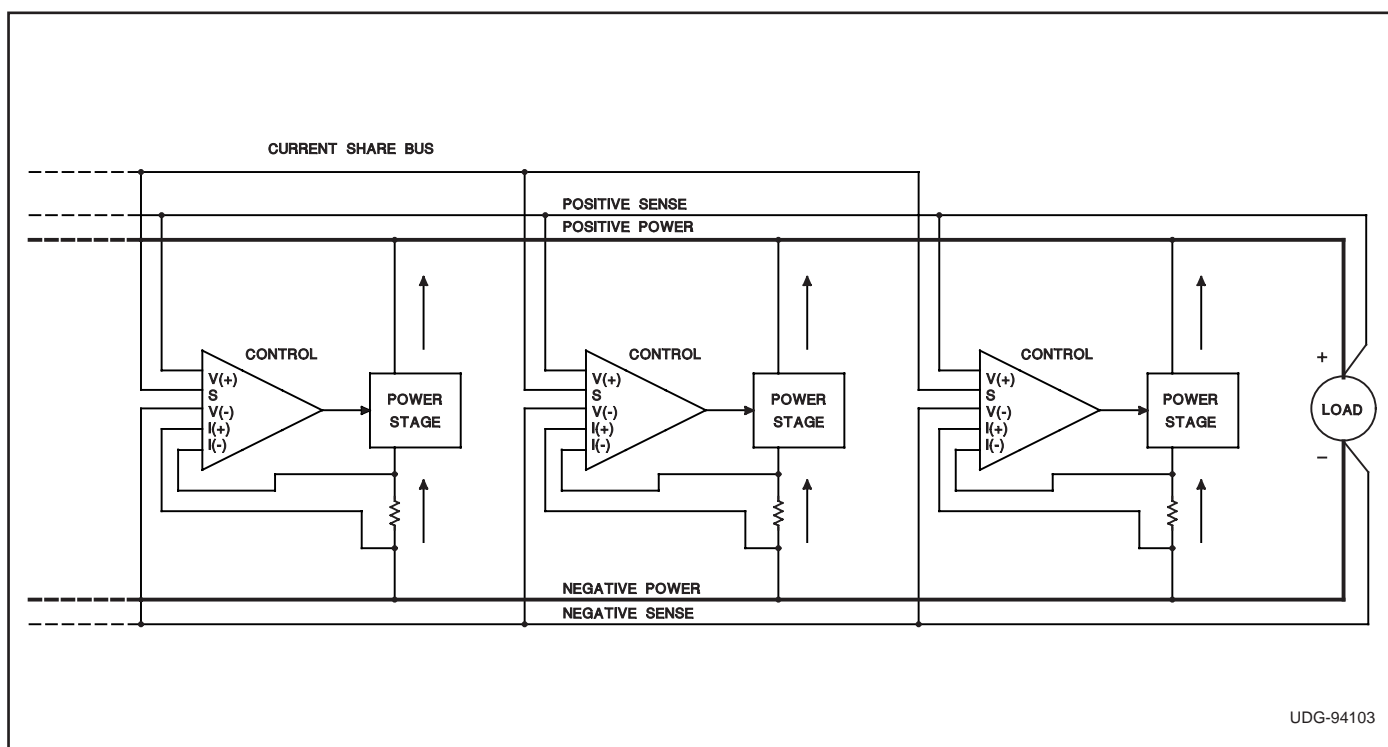


Figure 1. Load system diagram.

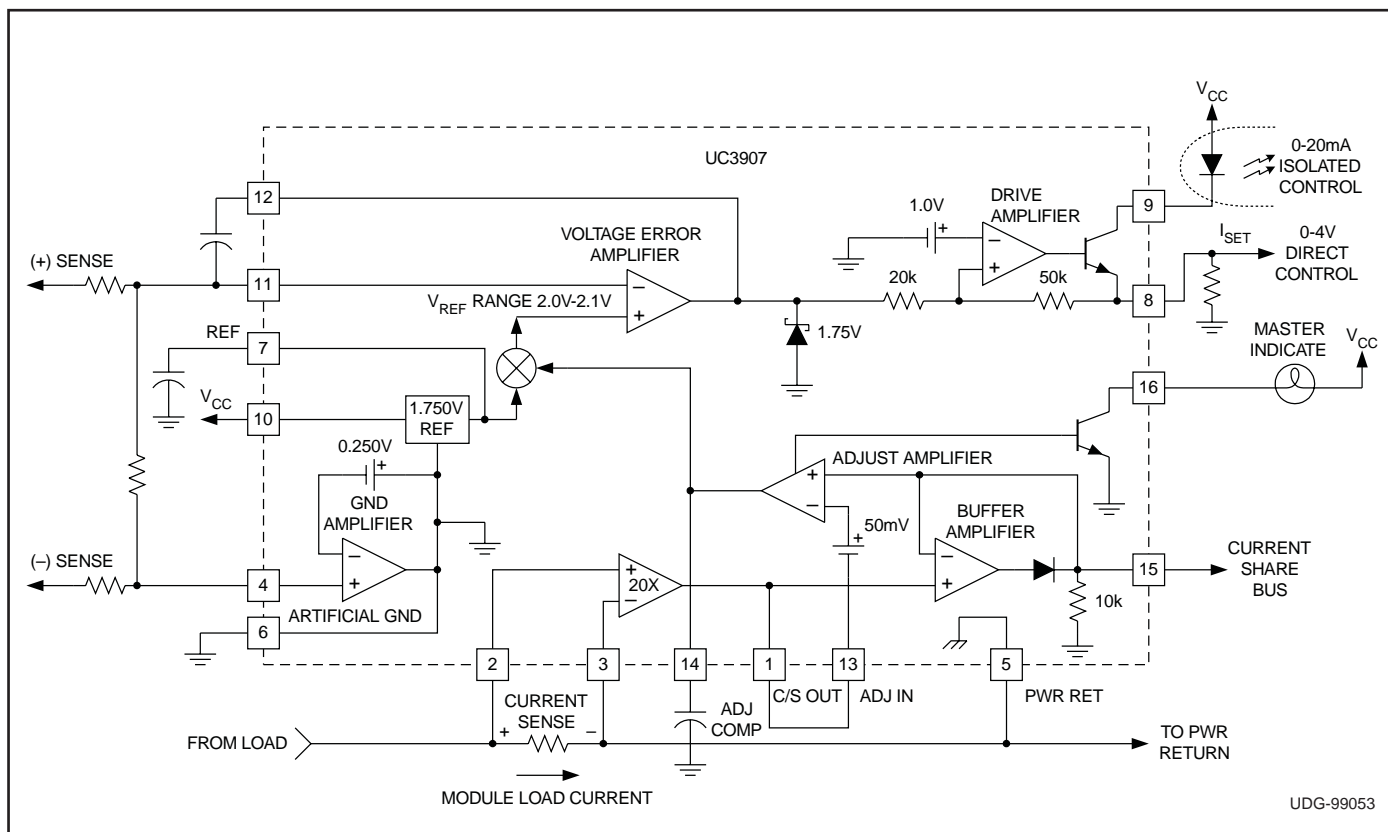


Figure 2. Load share connection diagram.

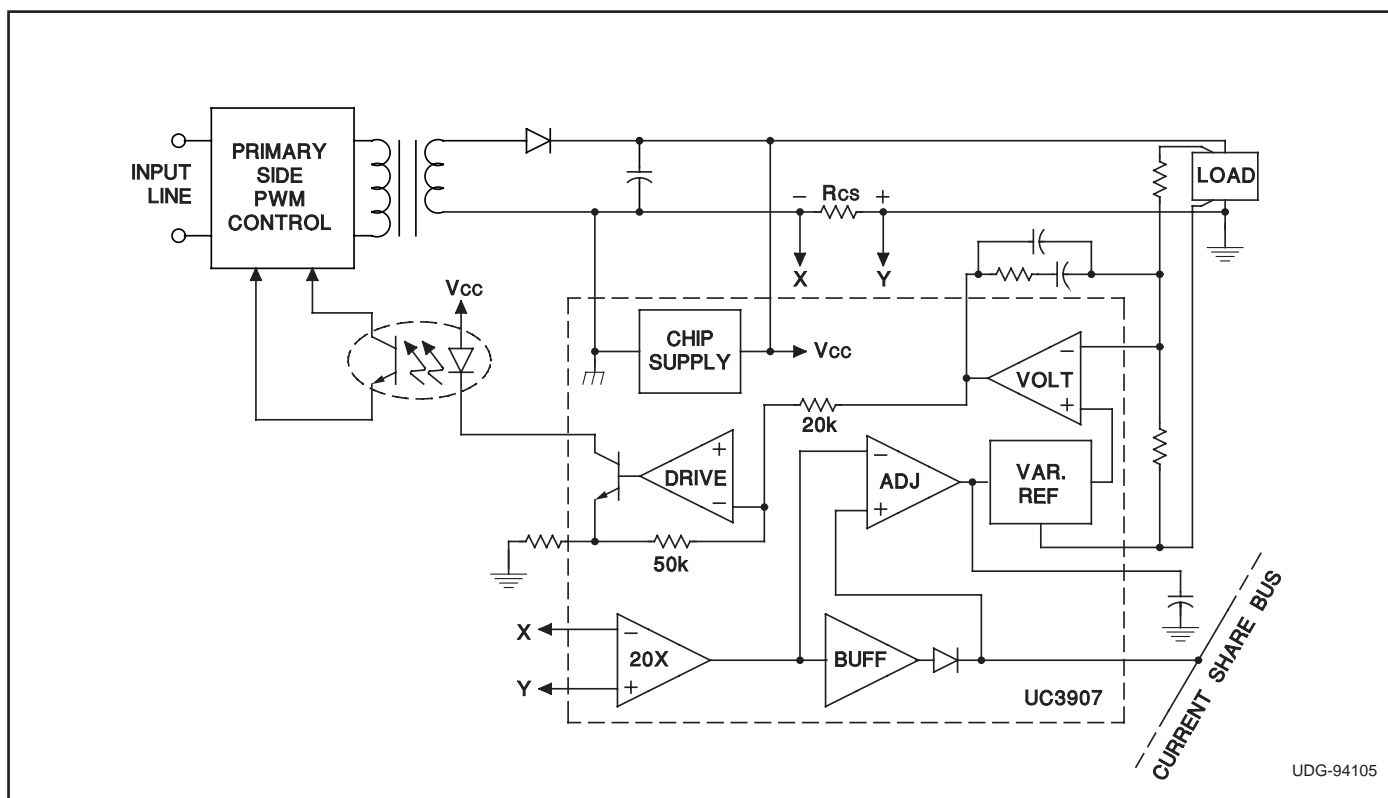


Figure 3. UC3907 in a load-sharing feedback loop for an off-line isolated supply.

IMPORTANT NOTICE

Texas Instruments and its subsidiaries (TI) reserve the right to make changes to their products or to discontinue any product or service without notice, and advise customers to obtain the latest version of relevant information to verify, before placing orders, that information being relied on is current and complete. All products are sold subject to the terms and conditions of sale supplied at the time of order acknowledgement, including those pertaining to warranty, patent infringement, and limitation of liability.

TI warrants performance of its semiconductor products to the specifications applicable at the time of sale in accordance with TI's standard warranty. Testing and other quality control techniques are utilized to the extent TI deems necessary to support this warranty. Specific testing of all parameters of each device is not necessarily performed, except those mandated by government requirements.

CERTAIN APPLICATIONS USING SEMICONDUCTOR PRODUCTS MAY INVOLVE POTENTIAL RISKS OF DEATH, PERSONAL INJURY, OR SEVERE PROPERTY OR ENVIRONMENTAL DAMAGE ("CRITICAL APPLICATIONS"). TI SEMICONDUCTOR PRODUCTS ARE NOT DESIGNED, AUTHORIZED, OR WARRANTED TO BE SUITABLE FOR USE IN LIFE-SUPPORT DEVICES OR SYSTEMS OR OTHER CRITICAL APPLICATIONS. INCLUSION OF TI PRODUCTS IN SUCH APPLICATIONS IS UNDERSTOOD TO BE FULLY AT THE CUSTOMER'S RISK.

In order to minimize risks associated with the customer's applications, adequate design and operating safeguards must be provided by the customer to minimize inherent or procedural hazards.

TI assumes no liability for applications assistance or customer product design. TI does not warrant or represent that any license, either express or implied, is granted under any patent right, copyright, mask work right, or other intellectual property right of TI covering or relating to any combination, machine, or process in which such semiconductor products or services might be or are used. TI's publication of information regarding any third party's products or services does not constitute TI's approval, warranty or endorsement thereof.