



Low Voltage Differential SCSI (LVD) 27 Line Regulator Set

FEATURES

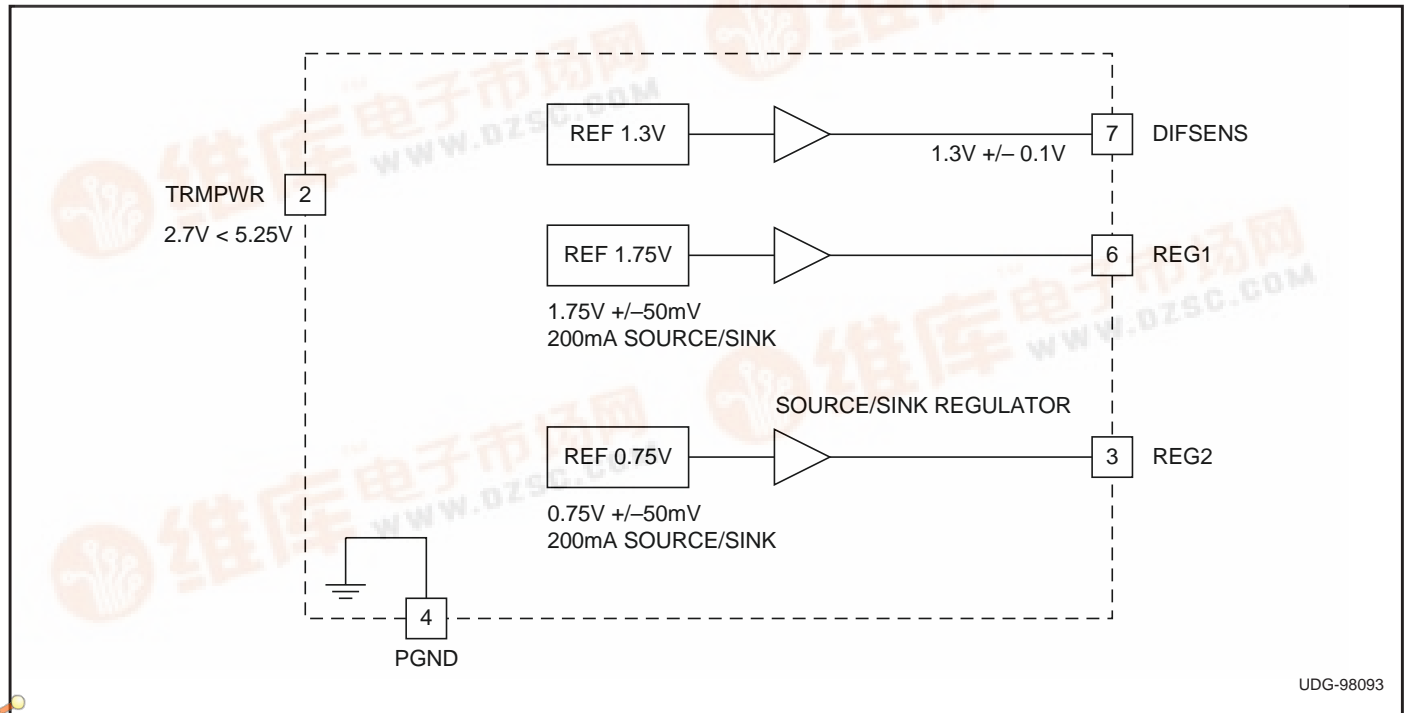
- SCSI SPI-2 LVD SCSI 27 Line Low Voltage Differential Regulator
- 2.7V to 5.25V Operation
- Integrated Regulator Set for LVD SCSI
- Differential Failsafe Bias

DESCRIPTION

The UCC561 LVD Regulator set is designed to provide the correct reference voltages and bias currents for LVD termination resistor networks (475Ω, 121Ω, and 475Ω). The device also provides a 1.3V output for Diff Sense signaling. With the proper resistor network, the UCC561 solution will meet the common mode bias impedance, differential bias, and termination impedance requirements of SPI-2 (Ultra2) and SPI-3 (Ultra3).

This device incorporates into a single monolith, two sink/source reference voltage regulators, a 1.3V buffered output and protection features. The protection features include thermal shut down and active current limiting circuitry. The UCC561 is offered in 16-pin SOIC(DP) package.

BLOCK DIAGRAM



ABSOLUTE MAXIMUM RATINGS

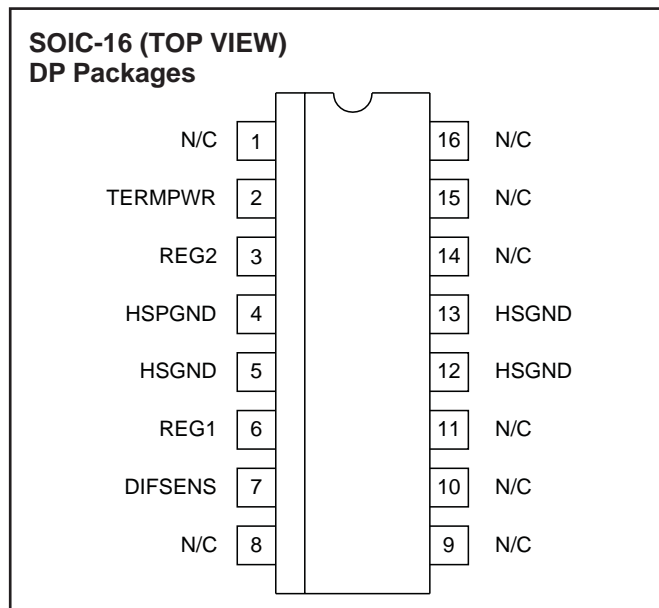
TERMPWR	+6V
Package Dissipation	1.2W
Junction Temperature	-55°C to +150°C
Storage Temperature	-65°C to +150°C

Currents are positive into, negative out of the specified terminal. Consult Packaging Section of Databook for thermal limitations and considerations of packages.

RECOMMENDED OPERATING CONDITIONS

TERMPWR Voltage	2.7V to 5.25V
-----------------	---------------

CONNECTION DIAGRAMS



ELECTRICAL CHARACTERISTICS: Unless otherwise specified these specifications apply for TA = 0°C to 70°C, TERMPWR = 3.3V.

PARAMETER	TEST CONDITIONS	MIN	TYP	MAX	UNITS
TERMPWR Supply Current Section					
TERMPWR Supply Current	No Load			40.0	mA
TERMPWR Voltage		2.7		5.25	V
Regulator Section					
1.75 Volt Regulator	REG1 (± 125mA)	1.7	1.75	1.8	V
1.3 Volt Regulator	DIFSENS , No Load	1.2	1.3	1.4	V
0.75 Volt Regulator	REG2 (± 125mA)	0.7	0.75	0.8	V
1.75 Volt Regulator Source Current	VO = 1.25			-200	mA
1.75 Volt Regulator Sink Current	VO = 2.25	200			mA
1.75 Volt Sink Current Limit				700	mA
1.75 Volt Source Current Limit		-700			mA
1.3 Volt Regulator Source Current	DIFSENS, GND	-5		-15	mA
1.3 Volt Regulator Sink Current	DIFSENS, 2.4V	50		200	µA
0.75 Volt Regulator Source Current	VO = 0.25			-200	mA
0.75 Volt Regulator Sink Current	VO = 1.25	200			mA
0.75 Source Current Limit				700	mA
0.75 Sink Current Limit		-700			mA

Note 1: Guaranteed by design. Not 100% tested in production.

APPLICATION INFORMATION

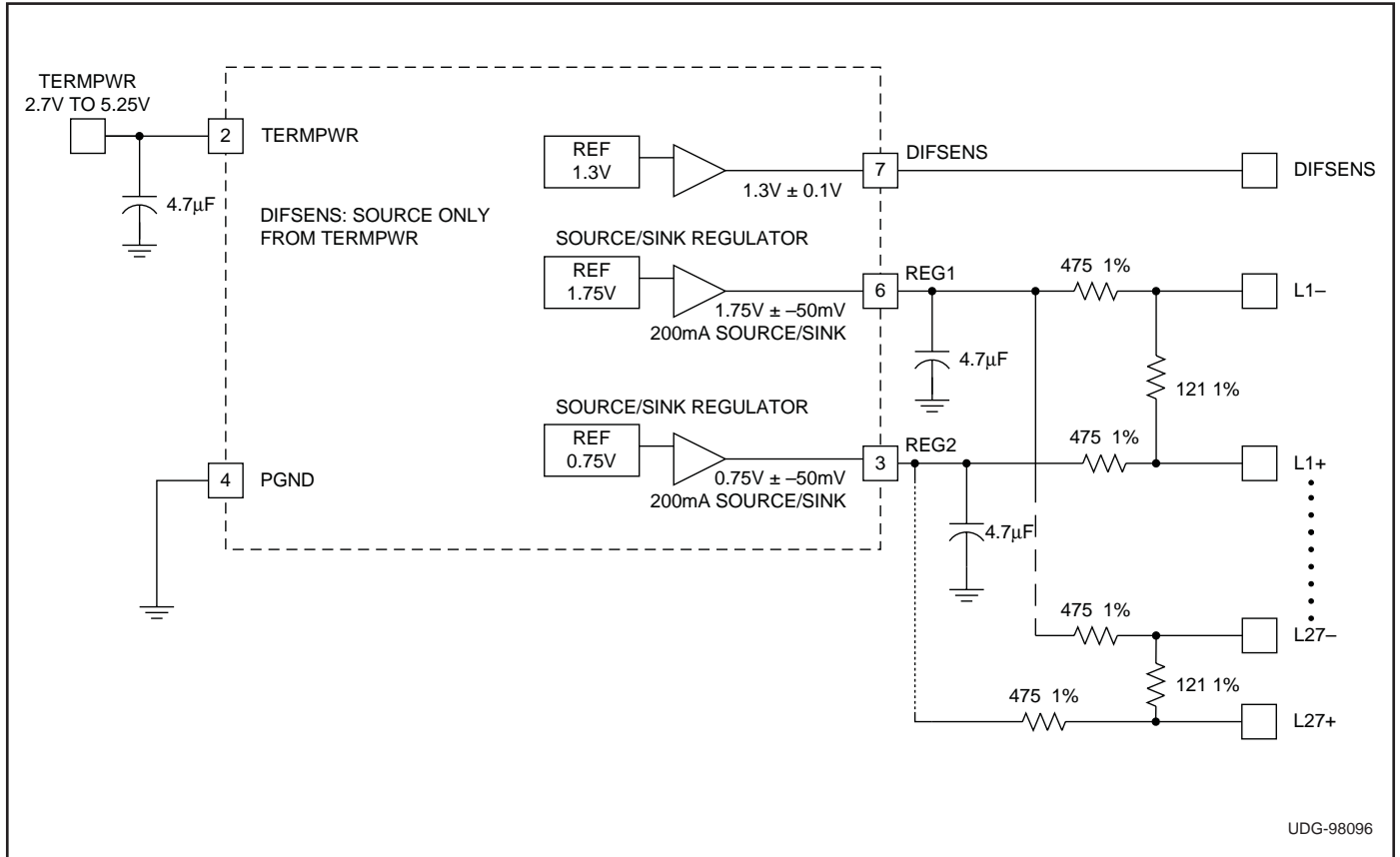


Figure 1. LVD SCSI discrete resistor stack.

Table I. Resistor stack vs. standard.

Outputs	Specification
107.3Ω Diff	100Ω to 110Ω
112.9mV Diff Bias	100mV to 125mV
237Ω Common Mode	100Ω to 300Ω
1.25V Common Mode	1.2V to 1.30V

Application Note: The resistor stack with the 1.75V and 0.75V reference will give the correct differential impedance, bias voltage, common mode differential impedance and common mode voltage as show in Table 1.

IMPORTANT NOTICE

Texas Instruments and its subsidiaries (TI) reserve the right to make changes to their products or to discontinue any product or service without notice, and advise customers to obtain the latest version of relevant information to verify, before placing orders, that information being relied on is current and complete. All products are sold subject to the terms and conditions of sale supplied at the time of order acknowledgement, including those pertaining to warranty, patent infringement, and limitation of liability.

TI warrants performance of its semiconductor products to the specifications applicable at the time of sale in accordance with TI's standard warranty. Testing and other quality control techniques are utilized to the extent TI deems necessary to support this warranty. Specific testing of all parameters of each device is not necessarily performed, except those mandated by government requirements.

CERTAIN APPLICATIONS USING SEMICONDUCTOR PRODUCTS MAY INVOLVE POTENTIAL RISKS OF DEATH, PERSONAL INJURY, OR SEVERE PROPERTY OR ENVIRONMENTAL DAMAGE ("CRITICAL APPLICATIONS"). TI SEMICONDUCTOR PRODUCTS ARE NOT DESIGNED, AUTHORIZED, OR WARRANTED TO BE SUITABLE FOR USE IN LIFE-SUPPORT DEVICES OR SYSTEMS OR OTHER CRITICAL APPLICATIONS. INCLUSION OF TI PRODUCTS IN SUCH APPLICATIONS IS UNDERSTOOD TO BE FULLY AT THE CUSTOMER'S RISK.

In order to minimize risks associated with the customer's applications, adequate design and operating safeguards must be provided by the customer to minimize inherent or procedural hazards.

TI assumes no liability for applications assistance or customer product design. TI does not warrant or represent that any license, either express or implied, is granted under any patent right, copyright, mask work right, or other intellectual property right of TI covering or relating to any combination, machine, or process in which such semiconductor products or services might be or are used. TI's publication of information regarding any third party's products or services does not constitute TI's approval, warranty or endorsement thereof.