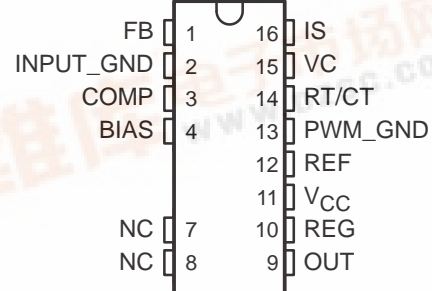


# CURRENT-MODE-PWM CONTROLLER WITH OPTOISOLATED VOLTAGE REFERENCE AND ERROR AMPLIFIER

SOES040 – OCTOBER 1997

- TL1431, Optocoupler, and Advanced Current-Mode-PWM in a 16-Pin DIP
- LinBiCMOS™ Current-Mode-PWM Operates at Frequencies up to 1 MHz
- 100- $\mu$ A Maximum Start-up Current
- 2-A, 30-ns MOSFET Drive Output
- TL1431 Voltage Reference/Feedback Amplifier
- 7500-V Peak Withstand Voltage
- Available With Gull Wing VDE Lead Forms
- $-40^{\circ}\text{C}$  to  $100^{\circ}\text{C}$  Free-Air Operating Temperature Range
- Safety Regulatory Approvals Pending
  - UL . . . File Number E65085
  - FIMKO, SEMKO, NEMKO, DEMKO
    - EN60065/IEC 65
    - EN60950/IEC 950
  - VDE 0884, Level 4 (6000-V Insulation)

NFC or NFD PACKAGE  
(TOP VIEW)



## description

The TIL5942 and TIL5942A consist of an advanced current-mode-PWM controller and a TL1431 adjustable precision shunt regulator, incorporated in a single package. The controller provides a photodetector, an improved MOSFET drive output, and an LED for isolation. The TL1431 is configured as a precision reference/error amplifier. Using the TIL5942 or the TIL5942A, the power-supply designer can implement the controller for an isolated dc/dc converter or off-line switching power supply, with one IC and a few passive components. The TIL5942 standard version has a reference voltage tolerance of 0.8% and the TIL5942A has a reference voltage tolerance of 0.4%

These controllers are available in a 16-pin PDIP with a lead form for through-hole, or gull-wing lead form for surface-mount applications. These devices operate over a  $-40^{\circ}\text{C}$  to  $100^{\circ}\text{C}$  junction temperature range.

End equipment applications for the TIL5942 and the TIL5942A include isolated ac-to-dc power supplies and dc/dc converters.

## AVAILABLE OPTIONS

T <sub>A</sub>	PACKAGED DEVICES	
	PLASTIC DUAL-IN-LINE WITH VDE LEAD FORM, THROUGH-HOLE	PLASTIC DUAL-IN-LINE WITH VDE LEAD FORM, SURFACE-MOUNT LEADS
$-40^{\circ}\text{C}$ to $100^{\circ}\text{C}$	TIL5942NFC, TIL5942ANFC	TIL5942NFD, TIL5942ANFD



Please be aware that an important notice concerning availability, standard warranty, and use in critical applications of Texas Instruments semiconductor products and disclaimers thereto appears at the end of this data sheet.

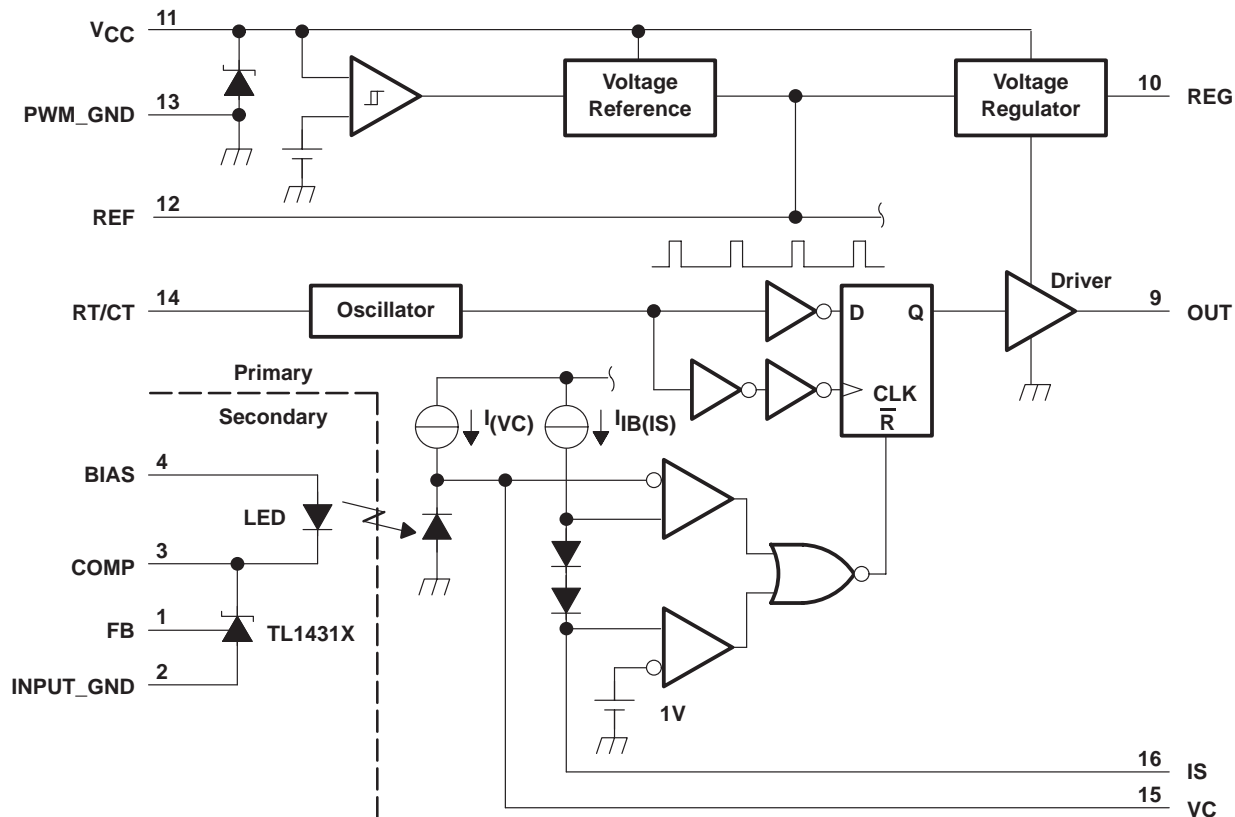
LinBiCMOS is a trademark of Texas Instruments Incorporated.

PRODUCTION DATA information is current as of publication date. Products conform to specifications per the terms of Texas Instruments standard warranty. Production processing does not necessarily include testing of all parameters.

Copyright © 1997, Texas Instruments Incorporated

**TIL5942, TIL5942A**  
**CURRENT-MODE-PWM CONTROLLER**  
**WITH OPTOISOLATED VOLTAGE REFERENCE AND ERROR AMPLIFIER**  
 SOES040 – OCTOBER 1997

**functional block diagram**



**Terminal Functions**

TERMINAL NAME	NO.	I/O	DESCRIPTION
FB	1	I	Feedback. FB is an error-amplifier inverting input.
INPUT_GND	2	I	Ground connection for the voltage reference/error amplifier section.
COMP	3	O	Error amplifier output/LED cathode connection. RC networks may be connected between COMP, FB, and GND to stabilize the control loop of the dc/dc converter.
BIAS	4	I	Optocoupler LED anode. BIAS connects to the output voltage of the dc/dc converter or to some other suitable supply voltage through a resistor.
NC	7,8		No connection.
OUT	9	O	Drive output. OUT is a pulse-width-modulated output.
REG	10	O	Regulator output. A 0.1- $\mu$ F, typical, ceramic capacitor should be connected between REG and PWM_GND.
VCC	11	I	Supply voltage for PWM controller
REF	12	O	PWM 5-V reference output
PWM_GND	13	I	PWM ground connection
RT/CT	14		Connection for external RC network to set PWM oscillator frequency
VC	15		Connection for integrating capacitor (0.1 $\mu$ F typ) to PWM_GND (terminal 13)
IS	16	I	PWM current sense input

TIL5942, TIL5942A  
**CURRENT-MODE-PWM CONTROLLER**  
**WITH OPTOISOLATED VOLTAGE REFERENCE AND ERROR AMPLIFIER**  
SOES040 – OCTOBER 1997

**theory of operation**

The current through the LED is controlled by the precision reference amplifier according to the voltage error at FB, with respect to the internal 2.5-V reference. The light emitted by the LED is coupled to the PWM controller to change the modulation duty cycle and reduce the error voltage.

The PWM controller is in the off state until  $V_{CC}$  is greater than the turn-on threshold voltage level. Typically the controller turns on at 16 V. It stays in the on state until the voltage drops below the turn-off threshold of 10 V typical. Upon turning on, the controller generates an internal reference voltage  $V_{ref}$  of 5 V, which controls the chip logic and can be used for low-power external applications. A voltage  $V_{reg}$  is also generated to supply current to charge an external capacitor  $C_{reg}$ , which supplies instant current for the pulsing output.

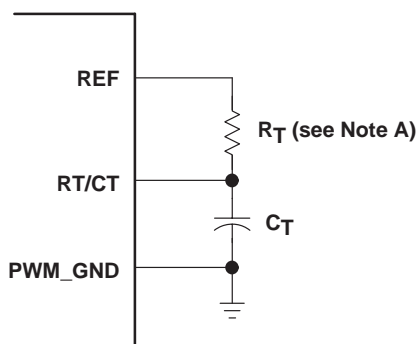
The oscillator shown in Figure 1 consists of an external resistance-capacitance (RC) network, a voltage comparator, logic, a 125-ns one-shot for the dead time, and a MOSFET used to discharge the external capacitor to ground each cycle. At the end of the reset period,  $C_T$  charges toward the 5-V reference through timing resistor  $R_T$  for a time given by one time constant  $R_T C_T$ . The oscillator period is given by:

$$T_{OSC} = R_T C_T + 0.125 \mu s.$$

A current  $I_{B(IS)}$  supplied out of IS biases the current-sense resistor on the primary side of the power supply. If the voltage  $V_{(IS)}$  at IS exceeds 1 V, the output pulse is reset. An internal current source  $I_{(VC)}$  supplies a nominal current of  $-4 \mu A$  as a reference. This current charges a capacitor connected between VC and ground. The photodiode is connected internally in parallel with the capacitor. The light-generated photodiode current tends to discharge the capacitor until a steady-state balance is reached. When  $I_{(VC)}$  is greater than the photodiode current, a net current is being sourced and the capacitor is charged. When  $I_{(VC)}$  is lower than the photodiode current, a net current is being sinked and the capacitor is discharged. When  $I_{(VC)}$  is equal to the photodiode current, the capacitor voltage stays constant. The voltage at VC is monitored by an internal comparator with a threshold voltage given by  $V_{(IS)} + 2V_d$ , where  $V_d$  is a diode voltage drop of typically 0.7 V.

Whenever VC is below this threshold, the output pulse is reset. The output pulse is enabled if  $V_{(IS)}$  is less than 1 V and VC is greater than its threshold.

The 5-V reference on the PWM chip is brought out on REF and can be used as a reference and/or supply for external circuits as long as the output current is limited to 20 mA and the power dissipation is not exceeded. It is recommended that a 0.1-F ceramic capacitor be connected between REF and PWM\_GND.



NOTE A:  $t_{osc} = R_T C_T + 0.125 \mu s$

**Figure 1. Typical Oscillator Application**

**TIL5942, TIL5942A**  
**CURRENT-MODE-PWM CONTROLLER**  
**WITH OPTOISOLATED VOLTAGE REFERENCE AND ERROR AMPLIFIER**

SOES040 – OCTOBER 1997

**absolute maximum ratings over operating free-air temperature (unless otherwise noted)†**

**LED/REF section**

Supply voltage range, $V_{CC}$ , BIAS to GND	–0.3 V to 37 V
Input current range at FB	–50 $\mu$ A to 10 mA
LED forward current	50 mA
Input LED reverse voltage	6 V

**PWM section**

Supply voltage range, $V_{CC}$	–0.3 V to 30 V
Input voltage at IS	–0.3 V to 5 V
Continuous supply current, $I_{CC}$	15 mA

**entire package**

Isolation voltage	7.5 kV peak or dc (5.3 kVrms)
Total continuous power dissipation	See Dissipation Rating Table
Operating free-air temperature range, $T_A$	–40°C to 100°C
Storage temperature range, $T_{stg}$	–55°C to 150°C
Lead temperature 1,6 mm (1/16 inch) from case for 10 seconds	260°C

† Stresses beyond those listed under “absolute maximum ratings” may cause permanent damage to the device. These are stress ratings only, and functional operation of the device at these or any other conditions beyond those indicated under “recommended operating conditions” is not implied. Exposure to absolute-maximum-rated conditions for extended periods may affect device reliability.

**DISSIPATION RATING TABLE**

PACKAGE	$T_A \leq 25^\circ\text{C}$ POWER RATING	DERATING FACTOR ABOVE $T_A = 25^\circ\text{C}$	$T_A = 70^\circ\text{C}$ POWER RATING	$T_A = 85^\circ\text{C}$ POWER RATING
NFD	1000 mW	8 mW/°C	640 mW	520 mW
NFC	1000 mW	8 mW/°C	640 mW	520 mW

**recommended operating conditions**

	MIN	MAX	UNIT
Supply voltage range, $V_{CC}$ , PWM	11	30	V
Peak output current, $I_O$		2	A
Output current, REF	0	20	mA
Oscillator frequency, $f_{osc}$	10	1000	kHz
External timing resistance, $R_T$	2	39	k $\Omega$
External timing capacitance, $C_T$	0.47	10	nF

**TIL5942, TIL5942A**  
**CURRENT-MODE-PWM CONTROLLER**  
**WITH OPTOISOLATED VOLTAGE REFERENCE AND ERROR AMPLIFIER**

SOES040 – OCTOBER 1997

**electrical characteristics over recommended operating junction temperature range,  $V_{CC} = 17\text{ V}$ ,  $R_T = 3.9\text{ k}\Omega$ ,  $C_T = 1\text{ nF}$  (unless otherwise noted)**

**voltage reference/error amplifier**

PARAMETER		TEST CONDITIONS		MIN	TYP	MAX	UNIT
$V_{ref}$	Reference voltage	$T_A = 25^\circ\text{C}$ , $V_{O(Comp)} = V_{I(FB)}$ $I_{I(LED)} = 10\text{ mA}$ , See Figure 2	TIL5942	2.48	2.5	2.52	V
			TIL5942A	2.49	2.5	2.51	V
$V_{ref(dev)}$	Deviation of reference voltage over temperature	$T_A = 25^\circ\text{C}$ to $100^\circ\text{C}$ , $V_{O(Comp)} = V_{I(FB)}$ $I_{I(LED)} = 10\text{ mA}$ , See Figure 2		25			mV
$\frac{\Delta V_{ref}}{\Delta V_{I(LED)}}$	Ratio of reference voltage change to change in input light-emitting-diode voltage	$\Delta V_{I(LED)} = 4\text{ V}$ to $37\text{ V}$ , $I_{I(LED)} = 10\text{ mA}$		1.1	2		mV/V
$I_{I(FB)}$	Feedback input current	$I_{I(LED)} = 10\text{ mA}$ , See Figure 4	$R_3 = 10\text{ k}\Omega$	1.5	3		$\mu\text{A}$
$I_{ref(dev)}$	Deviation of reference input current over full temperature range	$I_{I(LED)} = 10\text{ mA}$ , $T_A = 25^\circ\text{C}$ to $100^\circ\text{C}$	$R_3 = 10\text{ k}\Omega$ , See Figure 4	0.5			$\mu\text{A}$
$I_{DRV(min)}$	Minimum drive current	$T_A = 25^\circ\text{C}$ , $V_{O(Comp)} = V_{I(FB)}$		0.4	1		mA
$I_{I(off)}$	Off-state input light-emitting diode current	$V_{I(LED)} = 37\text{ V}$ , See Figure 5	$V_{I(FB)} = 0$	0.18	0.5		$\mu\text{A}$
$ Z_{ka} ^\dagger$	Regulator output impedance	$V_{O(Comp)} = V_{I(FB)}$ $I_{O(Comp)} = 1\text{ mA}$ to $50\text{ mA}$	$f \leq 1\text{ kHz}$	0.1			

<sup>†</sup> This symbol is not currently listed within EIA or JEDEC standards for semiconductor symbology.

**LED**

PARAMETER	TEST CONDITIONS		MIN	TYP	MAX	UNIT
$V_F$	Forward voltage	$T_A = 25^\circ\text{C}$ , $V_{O(Comp)} = V_{I(FB)}$ , $I_{I(LED)} = 10\text{ mA}$ , See Figure 2		1.2	1.4	V
$I_R$	LED reverse current	$V_O = 6\text{ V}$			10	$\mu\text{A}$

**PWM Section**

**voltage reference**

PARAMETER	TEST CONDITIONS		MIN	TYP	MAX	UNIT
$V_{ref}$	Reference voltage	$I_O = 1\text{ mA}$ , $T_J = 25^\circ\text{C}$	4.95	5	5.05	V
$V_{ref(line\ reg)}$	Reference line regulation	$V_{CC} = 11\text{ V}$ to $30\text{ V}$			50	mV
$V_{ref(load\ reg)}$	Reference load regulation	$I_O = 0\text{ mA}$ to $20\text{ mA}$			25	mV
$V_{ref(temp\ reg)}$	Reference temperature regulation	$T_A = 25^\circ\text{C}$ to $100^\circ\text{C}$		-4		mV
		$T_A = 25^\circ\text{C}$ to $-40^\circ\text{C}$		-4		mV

**oscillator**

PARAMETER	TEST CONDITIONS		MIN	TYP	MAX	UNIT
$f_{osc}$	Frequency	$R = 3.9\text{ k}\Omega$ , $C = 1\text{ nF}$	225	250	275	kHz
$t_{(off)}$	Dead time, (minimum off time)		100	148	200	ns
	Minimum timing ramp voltage			0.5		V
	Peak timing ramp voltage			3.2		V

**TIL5942, TIL5942A**  
**CURRENT-MODE-PWM CONTROLLER**  
**WITH OPTOISOLATED VOLTAGE REFERENCE AND ERROR AMPLIFIER**

SOES040 – OCTOBER 1997

electrical characteristics over recommended operating junction temperature range,  $V_{CC} = 15\text{ V}$ ,  $R_T = 3.9\text{ k}\Omega$ ,  $C_T = 1\text{ nF}$  (unless otherwise noted) (continued)

**current sense**

PARAMETER		TEST CONDITIONS	MIN	TYP	MAX	UNIT
$I_{B(IS)}$	Input bias current, IS			-4	-10	$\mu\text{A}$
$t_d$	Delay time to output			70		ns
$V_{IT(CS)}$	Current sense threshold		0.9	1.0	1.1	V

**integrating capacitor current**

PARAMETER		TEST CONDITIONS	MIN	TYP	MAX	UNIT
$I_{O(cap)}$	Capacitor integrating current at VC with LED off	$I_{I(LED)} = 0$		-5	-10	$\mu\text{A}$
$I_L$	Photodiode light current at VC, $I_{(VC)(on)} - I_{(VC)(off)}$	$I_{I(LED)} = 10\text{ mA}$ , $T_A = 25^\circ\text{C}$	5	8		$\mu\text{A}$

**PWM (pulse-width modulation)**

PARAMETER		TEST CONDITIONS	MIN	TYP	MAX	UNIT
Maximum duty cycle		$C_L = 1\text{ nF}$ , $C_{REG} = 0.1\text{ }\mu\text{F}$		97%		
Minimum duty cycle		$C_L = 1\text{ nF}$ , $C_{REG} = 0.1\text{ }\mu\text{F}$			0	

**UVLO (under voltage lockout)**

PARAMETER		TEST CONDITIONS	MIN	TYP	MAX	UNIT
$V_{IT(H)}$	Start-up threshold voltage		15	16	17	V
$V_{IT(L)}$	Minimum operating voltage after start-up		9	10	11	V

**supply current**

PARAMETER		TEST CONDITIONS	MIN	TYP	MAX	UNIT
$I_{CC(off)}$	Start-up current	$V_{CC} < 15\text{ V}$		55	100	$\mu\text{A}$
$I_{CC(on)}$	Operating supply current	$V_{CC} > 11\text{ V}$	8	13	16	mA

**output section**

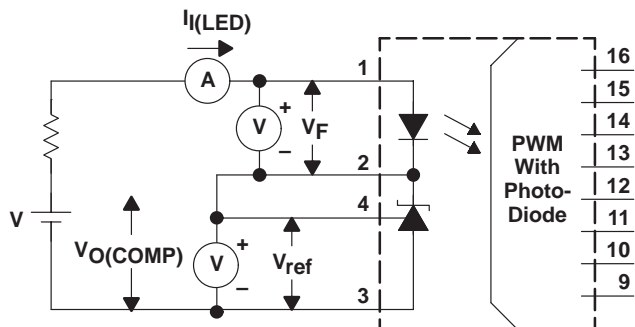
PARAMETER		TEST CONDITIONS	MIN	TYP	MAX	UNIT
$V_{OH}$	High-level output voltage	$I_O = -20\text{ mA}$	11	11.7		V
		$I_O = -200\text{ mA}$	10.5	11.2		
$V_{OL}$	Low-level output voltage	$I_O = 20\text{ mA}$		0.78	0.9	V
		$I_O = 200\text{ mA}$		1.38	2	
$t_r$	Rise time	$T_J = 25^\circ\text{C}$ , $C_L = 1\text{ nF}$		20	35	ns
$t_f$	Fall time	$T_J = 25^\circ\text{C}$ , $C_L = 1\text{ nF}$		20	35	ns

**regulator**

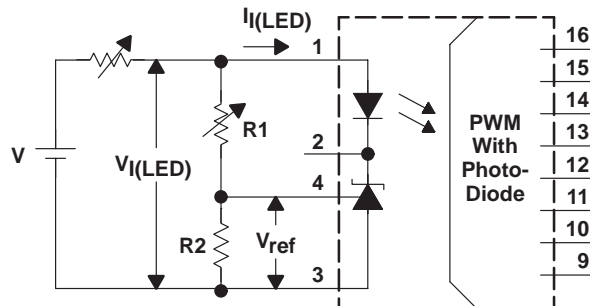
PARAMETER		TEST CONDITIONS	MIN	TYP	MAX	UNIT
$V_{O(REG)}$	Regulator output Voltage	$V_{CC} = 17\text{ V}$	12	12.5	13.5	V
$I_{OS(REG)}$	Regulator short-circuit output current	$V_O = 0\text{ V}$	-9	-12.5	-15.0	mA

TIL5942, TIL5942A  
**CURRENT-MODE-PWM CONTROLLER**  
**WITH OPTOISOLATED VOLTAGE REFERENCE AND ERROR AMPLIFIER**  
 SOES040 – OCTOBER 1997

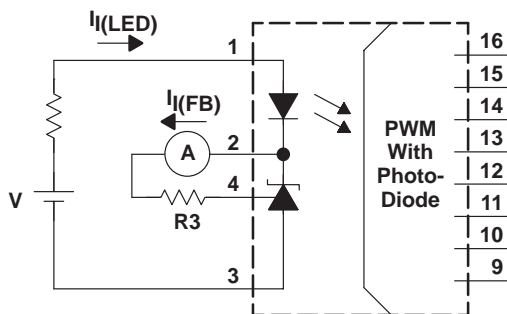
**PARAMETER MEASUREMENT INFORMATION**



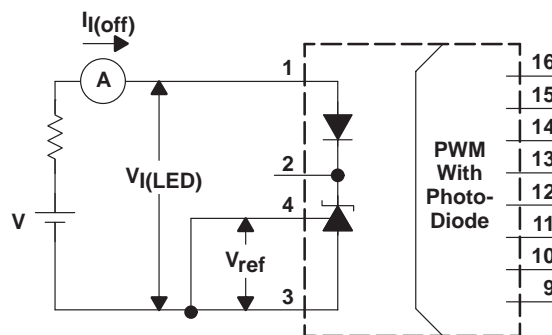
**Figure 2.  $V_{ref}$ ,  $V_F$ ,  $I_{min}$  Test Circuit**



**Figure 3.  $\Delta V_{ref}/\Delta V_{I(LED)}$  Test Circuit**



**Figure 4.  $I_{i(FB)}$  Test Circuit**



**Figure 5.  $I_{i(off)}$  Test Circuit**

**TIL5942, TIL5942A**  
**CURRENT-MODE-PWM CONTROLLER**  
**WITH OPTOISOLATED VOLTAGE REFERENCE AND ERROR AMPLIFIER**  
 SOES040 – OCTOBER 1997

**TYPICAL CHARACTERISTICS**

**Table of Graphs**

			<b>FIGURE</b>
$V_F$	LED forward voltage	Free-air temperature	6
$V_{ref}$	Input reference voltage	Free-air temperature	7
$I_{I(FB)}$	Feedback input current	Free-air temperature	8
$I_{CC(on)}$	On-state supply current	Free-air temperature	9
$V_{ref}$	PWM reference voltage	Free-air temperature	10
$V_{reg}$	PWM regulator voltage	Free-air temperature	11
	PWM relative oscillator frequency	Free-air temperature	12
$I_{(VC)}$	Integrating capacitor current	Free-air temperature	13
$I_L$	Photodiode current source	Free-air temperature	14
$I_{IB(IS)}$	Sense current source	Free-air temperature	15
$t_{(off)}$	PWM dead time	Free-air temperature	16
$I_{OS(REG)}$	PWM regulator short-circuit current	Free-air temperature	17
$V_{OL(1)}$	Low-state output voltage	Free-air temperature	18
$V_{OL(2)}$	Low-state output voltage	Free-air temperature	19
$V_{IT(H)}$	PWM turn-on threshold voltage	Free-air temperature	20
$V_{IT(L)}$	PWM turn-off threshold voltage	Free-air temperature	21
	PWM threshold voltages showing hysteresis	Free-air temperature	22



TIL5942, TIL5942A  
**CURRENT-MODE-PWM CONTROLLER**  
**WITH OPTOISOLATED VOLTAGE REFERENCE AND ERROR AMPLIFIER**  
 SOES040 – OCTOBER 1997

**TYPICAL CHARACTERISTICS**

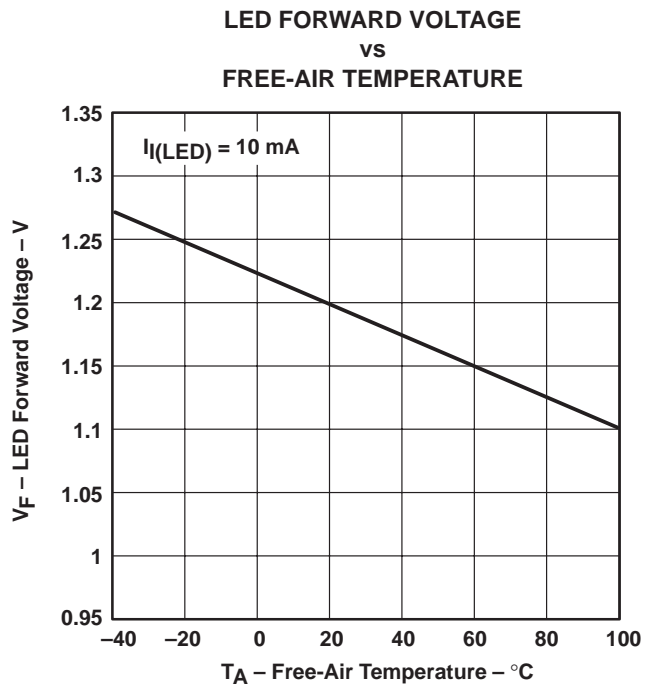


Figure 6

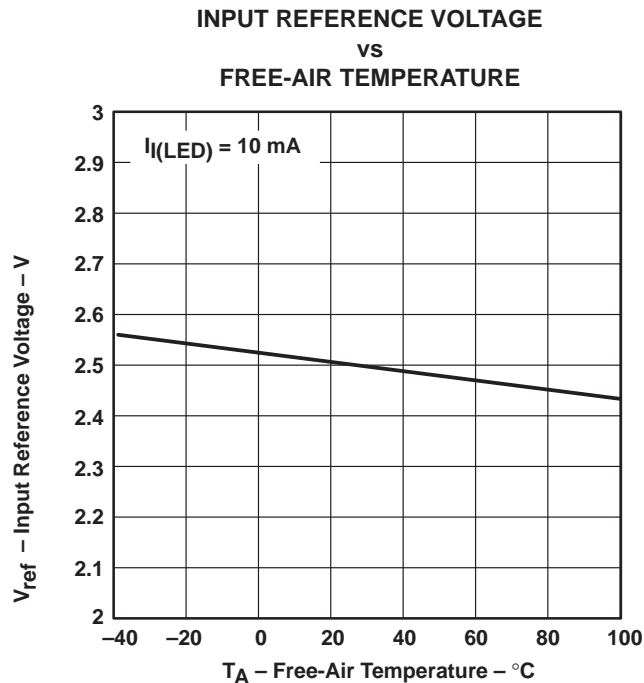


Figure 7

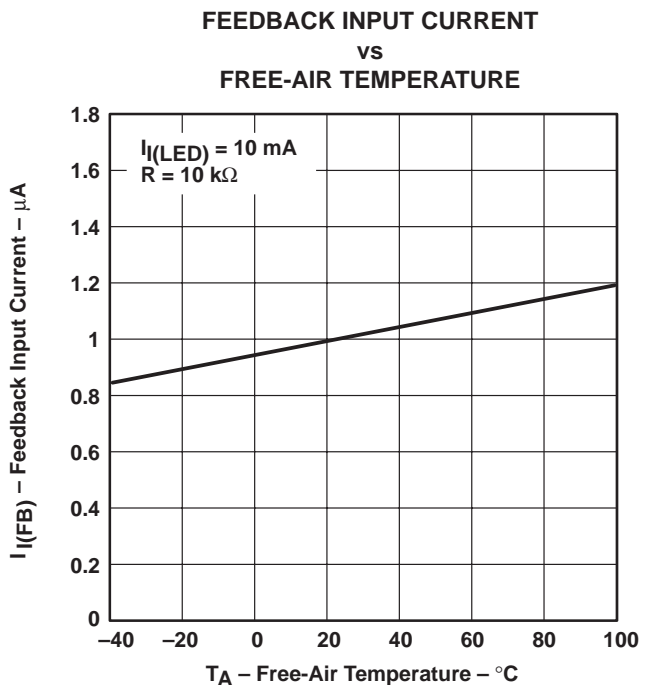


Figure 8

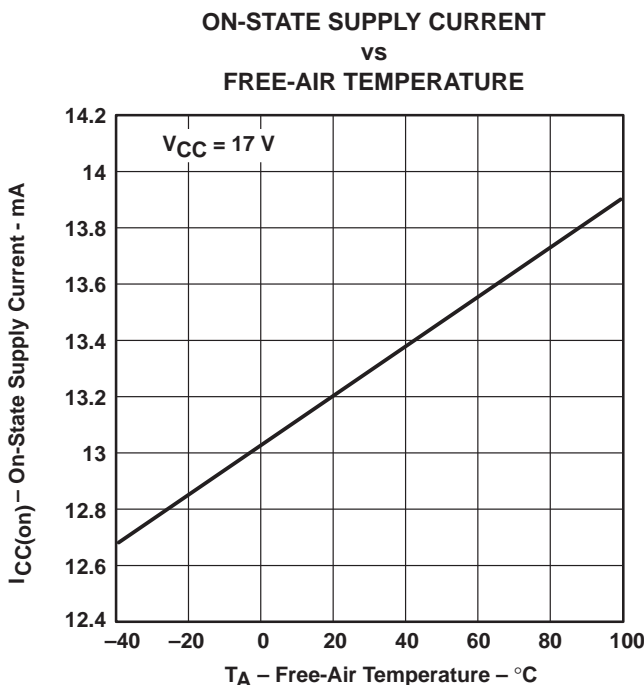
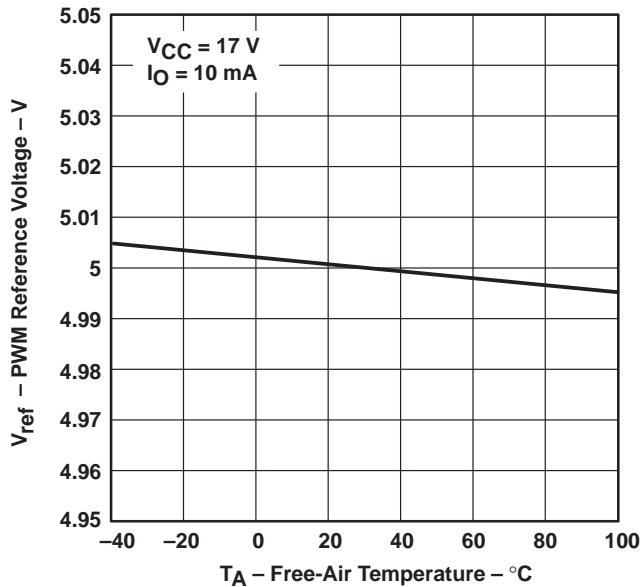


Figure 9

TIL5942, TIL5942A  
**CURRENT-MODE-PWM CONTROLLER**  
**WITH OPTOISOLATED VOLTAGE REFERENCE AND ERROR AMPLIFIER**  
 SOES040 – OCTOBER 1997

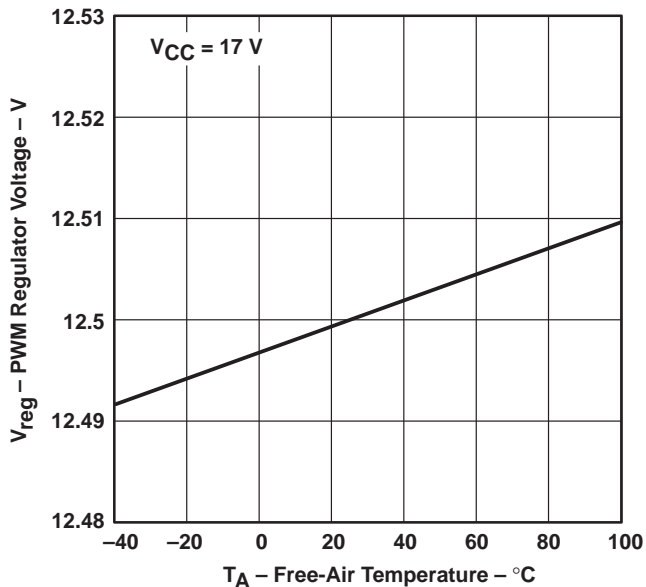
**TYPICAL CHARACTERISTICS**

**PWM REFERENCE VOLTAGE  
 vs  
 FREE-AIR TEMPERATURE**



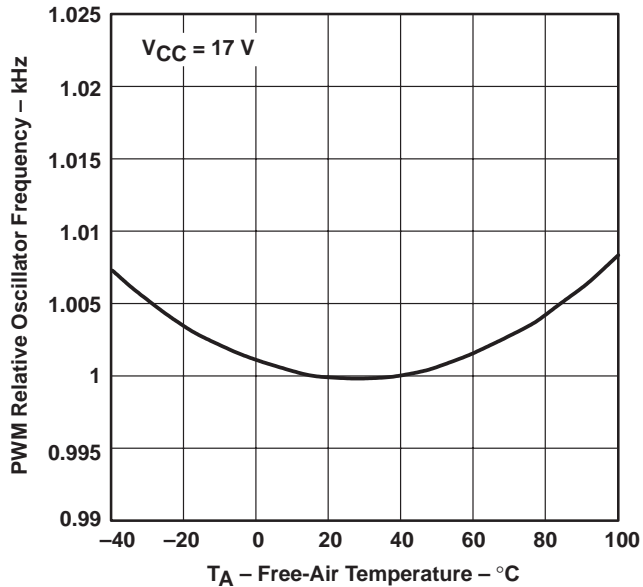
**Figure 10**

**PWM REGULATOR VOLTAGE  
 vs  
 FREE-AIR TEMPERATURE**



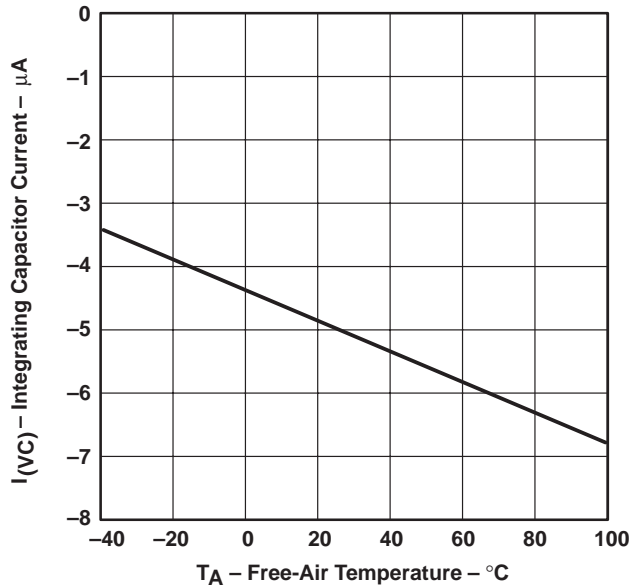
**Figure 11**

**PWM RELATIVE OSCILLATOR FREQUENCY  
 vs  
 FREE-AIR TEMPERATURE**



**Figure 12**

**INTEGRATING CAPACITOR CURRENT  
 vs  
 FREE-AIR TEMPERATURE**

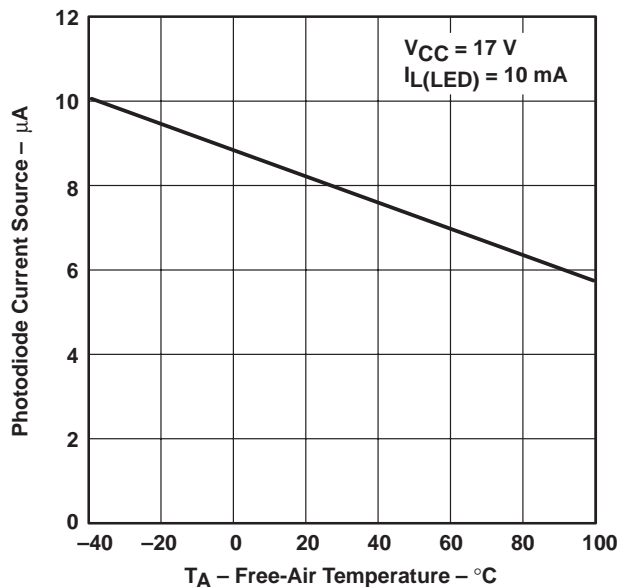


**Figure 13**

TIL5942, TIL5942A  
**CURRENT-MODE-PWM CONTROLLER**  
**WITH OPTOISOLATED VOLTAGE REFERENCE AND ERROR AMPLIFIER**  
 SOES040 – OCTOBER 1997

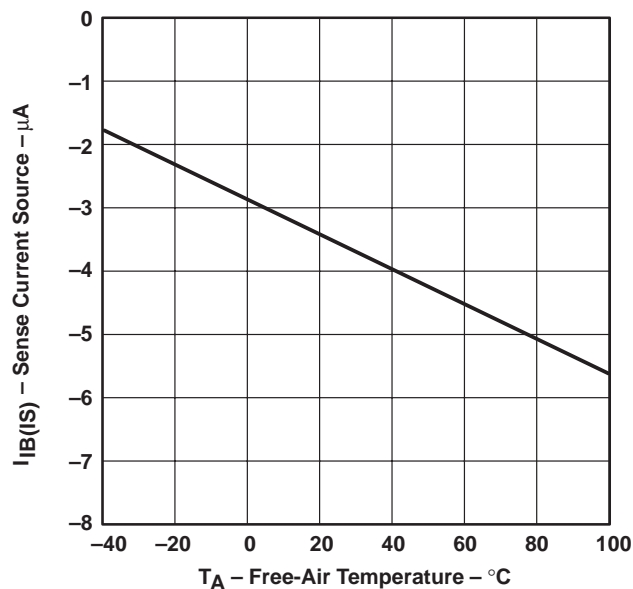
**TYPICAL CHARACTERISTICS**

**PHOTODIODE CURRENT SOURCE  
 vs  
 FREE-AIR TEMPERATURE**



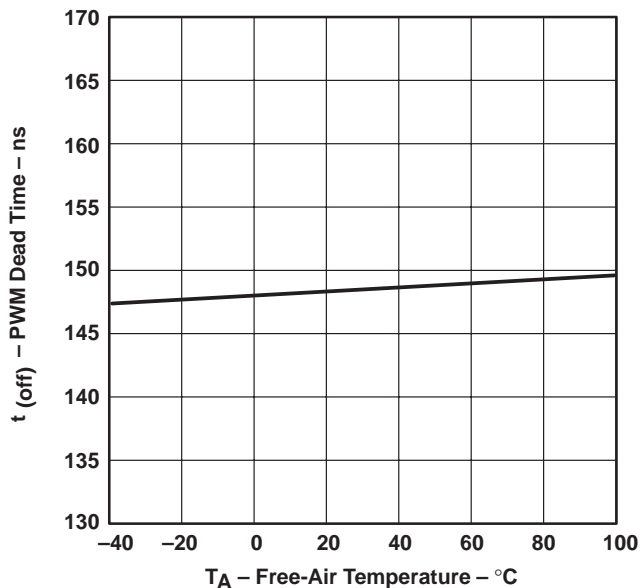
**Figure 14**

**SENSE CURRENT SOURCE  
 vs  
 FREE-AIR TEMPERATURE**



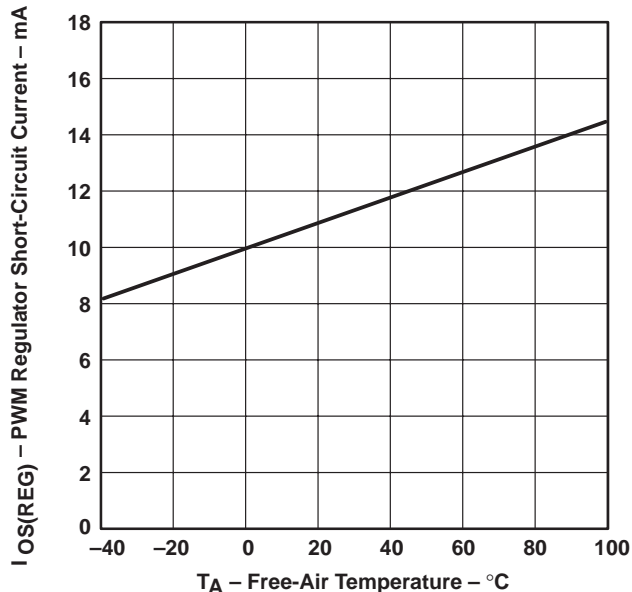
**Figure 15**

**PWM DEAD TIME  
 vs  
 FREE-AIR TEMPERATURE**



**Figure 16**

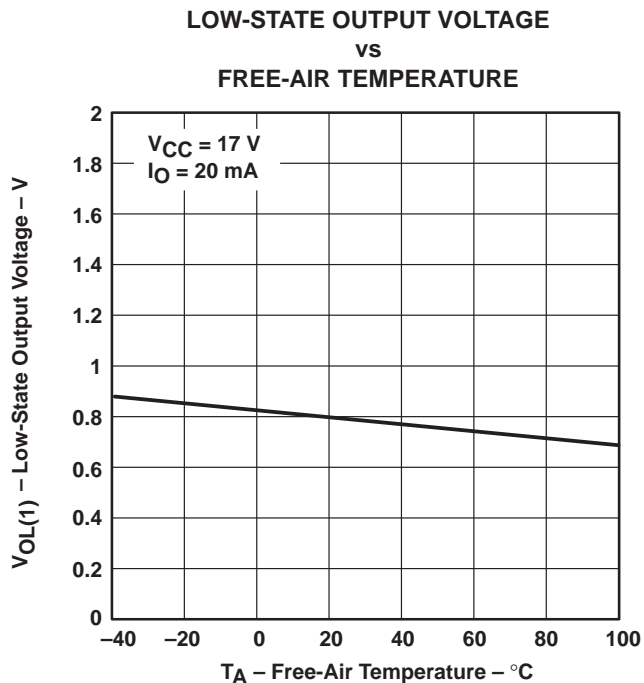
**PWM REGULATOR SHORT-CIRCUIT CURRENT  
 vs  
 FREE-AIR TEMPERATURE**



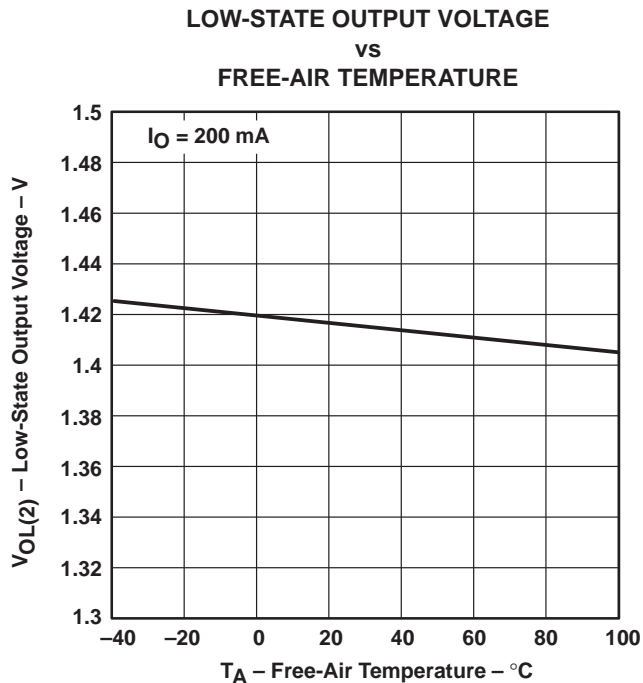
**Figure 17**

TIL5942, TIL5942A  
**CURRENT-MODE-PWM CONTROLLER**  
**WITH OPTOISOLATED VOLTAGE REFERENCE AND ERROR AMPLIFIER**  
 SOES040 – OCTOBER 1997

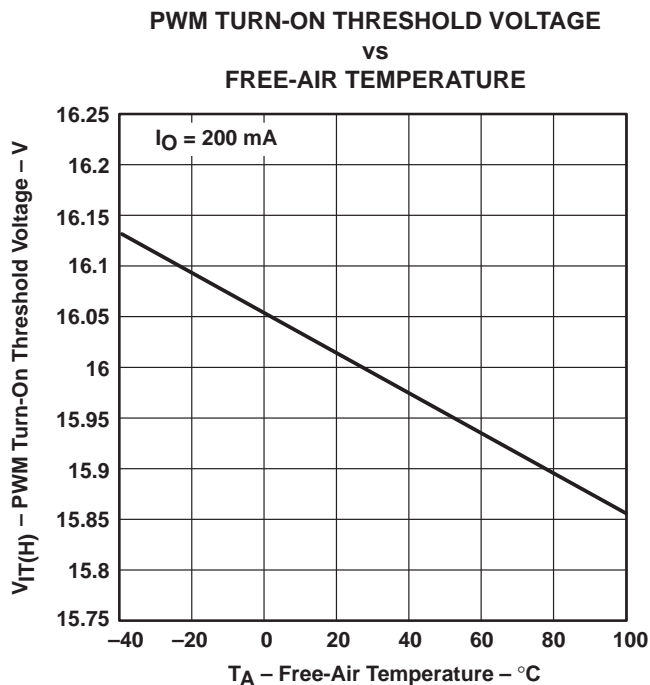
**TYPICAL CHARACTERISTICS**



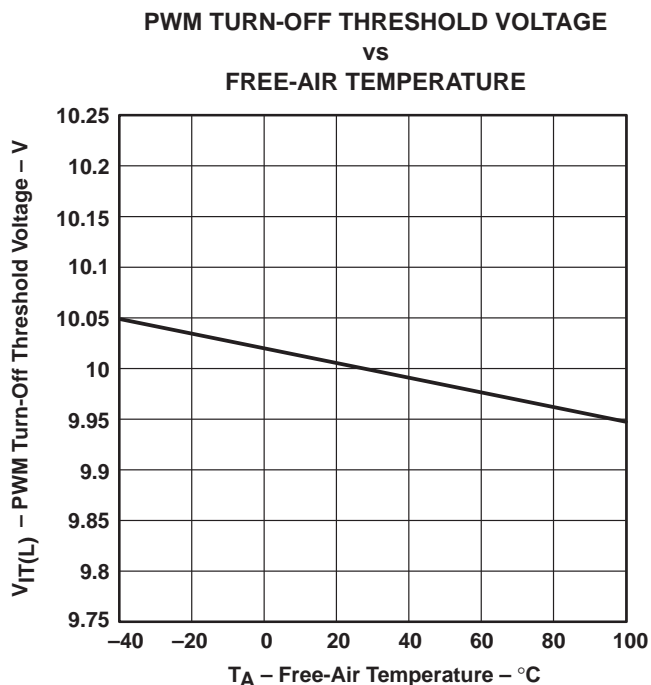
**Figure 18**



**Figure 19**



**Figure 20**



**Figure 21**

TYPICAL CHARACTERISTICS

PWM THRESHOLD VOLTAGES SHOWING HYSTERESIS  
vs  
FREE-AIR TEMPERATURE

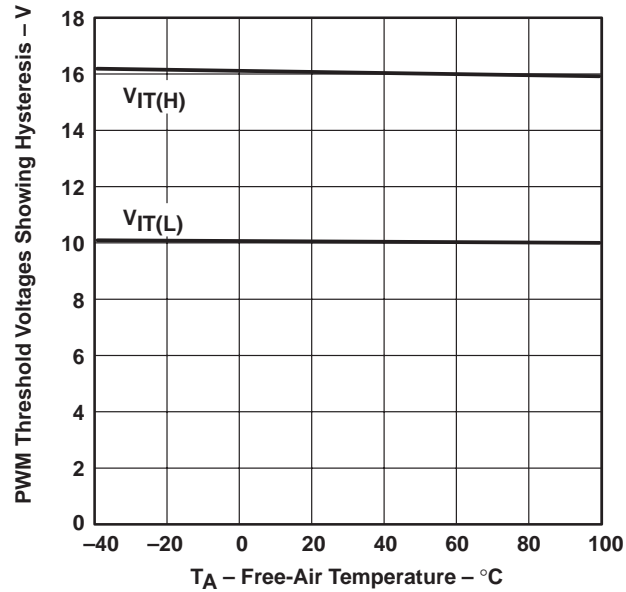


Figure 22



TIL5942, TIL5942A  
**CURRENT-MODE-PWM CONTROLLER**  
**WITH OPTOISOLATED VOLTAGE REFERENCE AND ERROR AMPLIFIER**  
 SOES040 – OCTOBER 1997

**Table 1. Bill of Materials for TIL5942 and TIL5942A Off-Line Power-Supply**

ITEM NO.	REF DES	PART NUMBER	DESCRIPTION	VENDOR
1	U1	TIL5942NFC	IC, PWM controller	Texas Instruments
2	U2	uA79M12CKC	IC, voltage regulator	Texas Instruments
3	Q1	IRFBC40	N-ch MOSFET 8A/600 V	International Rectifier (IR)
4	Q2	S4015L	SCR 100 V	Teccor Electronics
5	MV1	ERZ-V10D431	MOV, 275 V	Panasonic
6	BD1	BR86D	Bridge, 2A/600 V	Diodes, Inc.
7	RT1	CL-80	Thermistor	Keystone
8	CR1	1N4148CT	Rectifier, 100mA/100 V	Diodes, Inc.
9	CR2	1N4148CT	Rectifier, 100mA/100 V	Diodes, Inc.
10	CR3	6TQ045	Rectifier, 7.5A/45 V	International Rectifier (IR)
11	CR4	31DF2	Rectifier, 3A/200 V	International Rectifier (IR)
12	CR5	11DF2	Rectifier, 1A/200 V	International Rectifier (IR)
13	CR6	BYV26C	Rectifier, 1A/600 V	Philips
14	CR7	1N5232BCT	Zener diode 5.6 V	Diodes, Inc.
15	C1	ECQ-U2A334MV	Capacitor, film, 0.33 $\mu$ F/250Vac/20%	Panasonic
16	C2	ECK-DGL471MB	Capacitor, film, 470 pF/250Vac/20%	Panasonic
17	C3	ECK-DGL471MB	Capacitor, film, 470 pF/250Vac/20%	Panasonic
18	C4	ECO-S2GP121CA	Capacitor, electrolytic, 120 $\mu$ F/400 V	Panasonic
19	C5	ECE-A1EFS101	Capacitor, electrolytic, 100 $\mu$ F/25 V	Panasonic
20	C6	ECK-D3A332KBP	Capacitor, ceramic, 3300 pF/1000 V	Panasonic
21	C7	ECU-S2A104KBA	Capacitor, ceramic, 0.1 $\mu$ F/100 V	Panasonic
22	C8	ECU-S2A333KBA	Capacitor, ceramic, 0.033 $\mu$ F/100 V	Panasonic
23	C9	ECU-S2A471KBA	Capacitor, ceramic, 470 pF/100 V	Panasonic
24	C10	ECU-S2A222KBA	Capacitor, ceramic, 2200 pF/100 V	Panasonic
25	C11	ECE-A1AFS471	Capacitor, electrolytic, 470 $\mu$ F/10 V	Panasonic
26	C12	ECA-1AFQ222	Capacitor, electrolytic, 2200 $\mu$ F/10 V	Panasonic
27	C13	ECU-S2A104KBA	Capacitor, ceramic, 0.1 $\mu$ F/100 V	Panasonic
28	C14	ECU-S2A104KBA	Capacitor, ceramic, 0.1 $\mu$ F/100 V	Panasonic
29	C15	ECE-A1EFS471	Capacitor, electrolytic, 470 $\mu$ F/25 V	Panasonic
30	C16	ECU-S2A471KBA	Capacitor, ceramic, 470 pF/100 V	Panasonic
31	C17	ECE-A1EFS101	Capacitor, electrolytic, 100 $\mu$ F/25 V	Panasonic
32	C18	ECU-S2A104KBA	Capacitor, ceramic, 0.1 $\mu$ F/100 V	Panasonic
33	C19	ECE-A1EFS471	Capacitor, electrolytic, 470 $\mu$ F/25 V	Panasonic
34	C20	ECE-A1EFS101	Capacitor, electrolytic, 100 $\mu$ F/25 V	Panasonic
35	C21	ECU-S2A104KBA	Capacitor, ceramic, 0.1 $\mu$ F/100 V	Panasonic
36	C22	ECK-DGL471MB	Capacitor, film, 470 pF/250Vac	Panasonic
37	C23	ECK-DGL471MB	Capacitor, film, 470 pF/250Vac	Panasonic
38	C24	ECU-S2A104KBA	Capacitor, ceramic, 0.1 $\mu$ F/100 V	Panasonic
39	C25	ECU-S2A104KBA	Capacitor, ceramic, 0.1 $\mu$ F/100 V	Panasonic
40	C26	ECU-S2A471KBA	Capacitor, ceramic, 470 pF/100 V	Panasonic
41	C27	ECU-S1J102JCB	Capacitor, ceramic, 1000 pF/63 V	Panasonic

**TIL5942, TIL5942A**  
**CURRENT-MODE-PWM CONTROLLER**  
**WITH OPTOISOLATED VOLTAGE REFERENCE AND ERROR AMPLIFIER**  
 SOES040 – OCTOBER 1997

**Table 1. Bill of Materials for TIL5942 and TIL5942A Off-Line Power-Supply (Continued)**

ITEM NO.	REF DES	PART NUMBER	DESCRIPTION	VENDOR
42	C28	ECU-S1J105MEB	Capacitor, ceramic, 1 $\mu$ F/63 V	Panasonic
43	C29	ECU-S1J102JCB	Capacitor, ceramic, 1000 pF/100 V	Panasonic
44	R1		Resistor, MF, 680 k $\Omega$ , 1/2 W, 5%	
45	R2		Resistor, MF, 750 k $\Omega$ , 2 W, 5%	
46	R3		Resistor, MF, 4.7 $\Omega$ , 1/4 W, 5%	
47	R4		Resistor, MF, 150 $\Omega$ , 1/4 W, 5%	
48	R5		Resistor, MF, 0.62 $\Omega$ , 1/4 W, 5%	
49	R6		Resistor, MF, 10 k $\Omega$ , 2 W, 5%	
50	R7		Resistor, MF, 47 $\Omega$ , 1/4 W, 5%	
51	R8		Resistor, MF, 100 $\Omega$ , 1/4 W, 5%	
52	R9		Resistor, MF, 100 $\Omega$ , 1/4 W, 5%	
53	R10		Resistor, MF, 12 k $\Omega$ , 1/4 W, 5%	
54	R11		Resistor, MF, 100 $\Omega$ , 1/4 W, 5%	
55	R12		Resistor, MF, 2.4 k $\Omega$ , 1/4 W, 5%	
56	R13	3306F-502-ND	5 k $\Omega$ , 1/4 W, POT	Bourns
57	R14		Resistor, MF, 100 $\Omega$ , 1 W, 5%	
58	R15		Resistor, MF, 100 $\Omega$ , 1/4 W, 5%	
59	R16		Resistor, MF, 150 k $\Omega$ , 1/4 W, 5%	
60	R17		Resistor, MF, 1 k $\Omega$ , 1/4 W, 5%	
61	R18		Resistor, MF, 4.7 k $\Omega$ , 2 W, 5%	
62	T1	CYX01-13940-X4	Transformer, turns ratio	Colitronics
63	L1	0571-0203-01	Common mode filter	Bel
64	L2	PCV-0-0050-10	Inductor, choke	Coilcraft
65	L3	PCV-0-0050-10	Inductor, choke	Coilcraft
66	F1		Fuse, 3AG	Bel
67	FH1	F052-ND	Fuseclip	
68	FH1	F052-ND	Fuseclip	
69	HS1	PF430	Heat sink Q1	Thermalloy
70	HS4	PF430	Heat sink CR3	Thermalloy
71	P1	42R05-3143-150	Connector, input	Power Dynamics
72	P2	WM4403ND	Connector, output	Waldom
73	JMP1		Strap	
74	JMP2		Strap	
75	JMP3		Strap	
76	PWB		PC board	

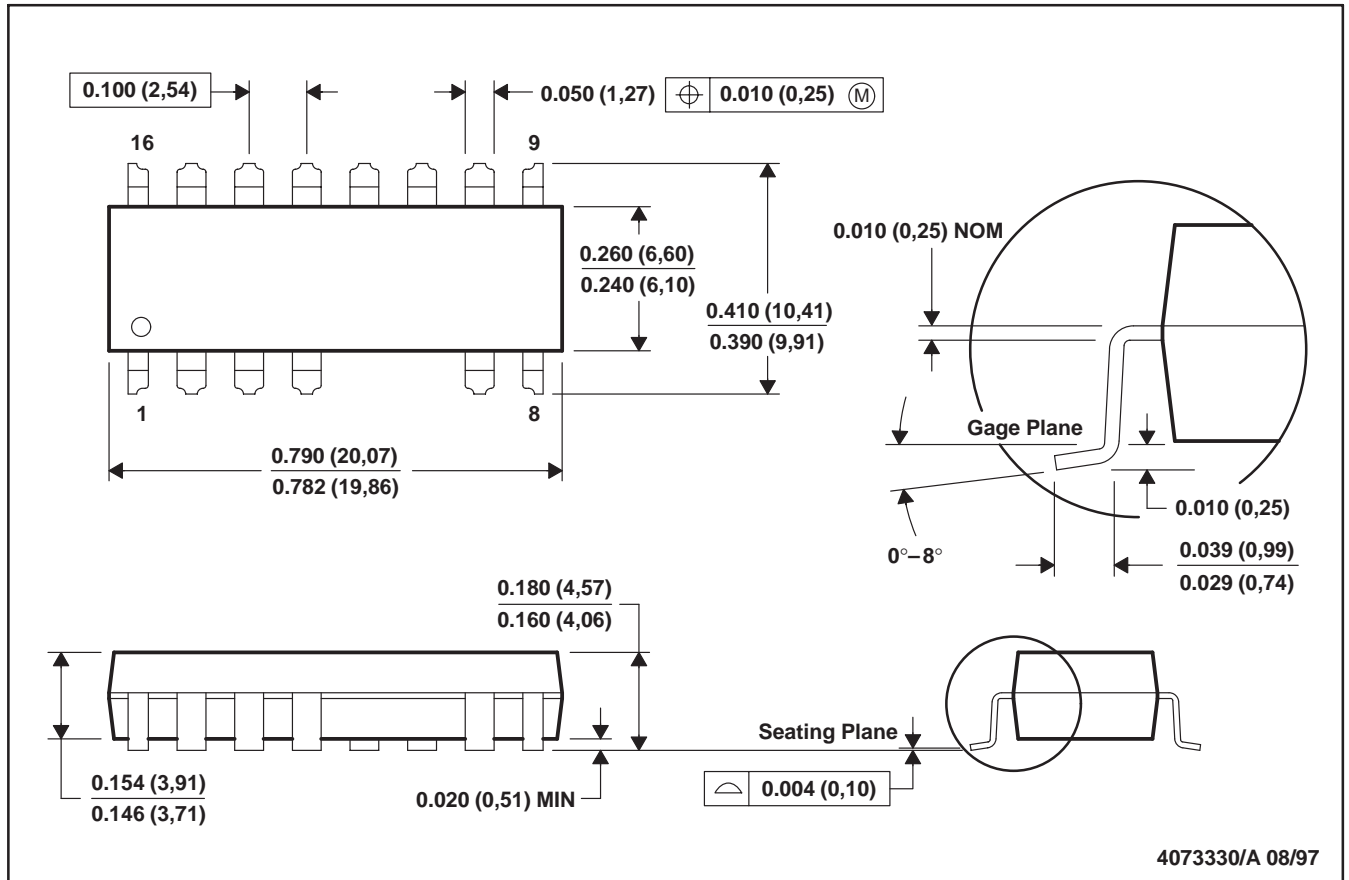


TIL5942, TIL5942A  
**CURRENT-MODE-PWM CONTROLLER**  
**WITH OPTOISOLATED VOLTAGE REFERENCE AND ERROR AMPLIFIER**  
 SOES040 – OCTOBER 1997

**MECHANICAL DATA**

**NFD (R-PDSO-G14)**

**PLASTIC SMALL-OUTLINE PACKAGE**



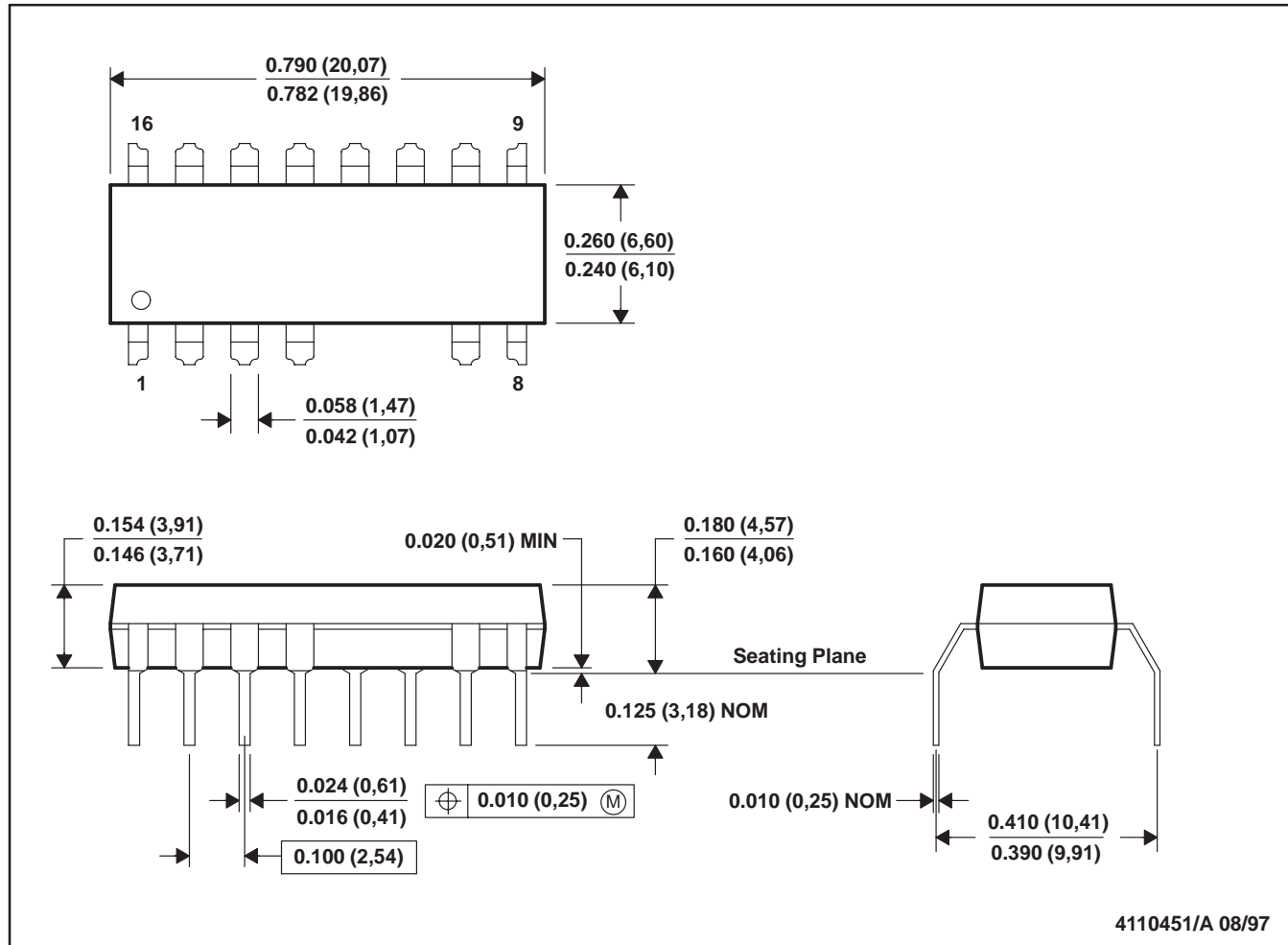
NOTES: A. All linear dimensions are in inches (millimeters).  
 B. This drawing is subject to change without notice.

TIL5942, TIL5942A  
**CURRENT-MODE-PWM CONTROLLER**  
**WITH OPTOISOLATED VOLTAGE REFERENCE AND ERROR AMPLIFIER**  
 SOES040 – OCTOBER 1997

**MECHANICAL DATA**

**NFC (R-PDIP-T14)**

**PLASTIC DUAL-IN-LINE PACKAGE**



NOTES: A. All linear dimensions are in inches (millimeters).  
 B. This drawing is subject to change without notice.

## **IMPORTANT NOTICE**

Texas Instruments and its subsidiaries (TI) reserve the right to make changes to their products or to discontinue any product or service without notice, and advise customers to obtain the latest version of relevant information to verify, before placing orders, that information being relied on is current and complete. All products are sold subject to the terms and conditions of sale supplied at the time of order acknowledgement, including those pertaining to warranty, patent infringement, and limitation of liability.

TI warrants performance of its semiconductor products to the specifications applicable at the time of sale in accordance with TI's standard warranty. Testing and other quality control techniques are utilized to the extent TI deems necessary to support this warranty. Specific testing of all parameters of each device is not necessarily performed, except those mandated by government requirements.

CERTAIN APPLICATIONS USING SEMICONDUCTOR PRODUCTS MAY INVOLVE POTENTIAL RISKS OF DEATH, PERSONAL INJURY, OR SEVERE PROPERTY OR ENVIRONMENTAL DAMAGE ("CRITICAL APPLICATIONS"). TI SEMICONDUCTOR PRODUCTS ARE NOT DESIGNED, AUTHORIZED, OR WARRANTED TO BE SUITABLE FOR USE IN LIFE-SUPPORT DEVICES OR SYSTEMS OR OTHER CRITICAL APPLICATIONS. INCLUSION OF TI PRODUCTS IN SUCH APPLICATIONS IS UNDERSTOOD TO BE FULLY AT THE CUSTOMER'S RISK.

In order to minimize risks associated with the customer's applications, adequate design and operating safeguards must be provided by the customer to minimize inherent or procedural hazards.

TI assumes no liability for applications assistance or customer product design. TI does not warrant or represent that any license, either express or implied, is granted under any patent right, copyright, mask work right, or other intellectual property right of TI covering or relating to any combination, machine, or process in which such semiconductor products or services might be or are used. TI's publication of information regarding any third party's products or services does not constitute TI's approval, warranty or endorsement thereof.