



---

---

## **Programmable Rolling Code Encoder IC**

*Preliminary*

**PT2282**

---

---

### **DESCRIPTION**

PT2282 is a programmable rolling code encoder IC utilizing CMOS Technology specially designed for remote control applications. It has a maximum of 20 programmable Address Codes, 4 Data Bits, and 10 Rolling Code Bits. A total of 1,024 rolling code combinations and power saving feature are also provided.

PT2282 encodes the programmed codes into a coded waveform suitable for RF modulation. Pin assignments and application circuit are optimized for easy PCB Layout and cost saving advantage. Housed in either 8 pins or 16 pins DIP or SO Package, PT2282 also provides anti-scan features.

### **FEATURES**

- CMOS Technology
- Low Power Consumption
- Least External Components
- High Noise Immunity
- Single Resistor Oscillator
- Operating Voltage: 1.8 V to 15 V
- Up to  $2^{20}$  Address Codes
- Up to 4 Data pins
- Up to  $2^{30}$  Output Code Combinations
- Power Saving Feature
- Available in 8-pin or 16-pin, SO or DIP Package

### **APPLICATIONS**

- Burglar Alarm System
- Car Security System
- Car/Garage Door Controller
- Home/Office Security System
- Personal Alarm System

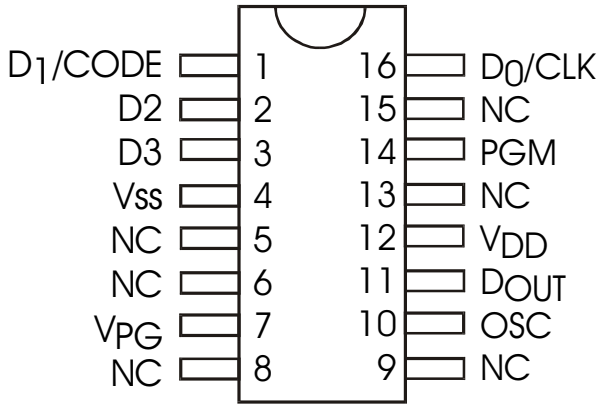


Programmable Rolling Code Encoder IC

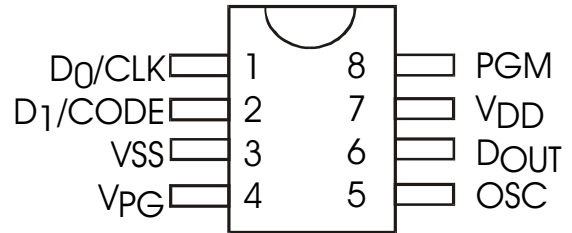
*Preliminary*

**PT2282**

**PIN CONFIGURATIONS**

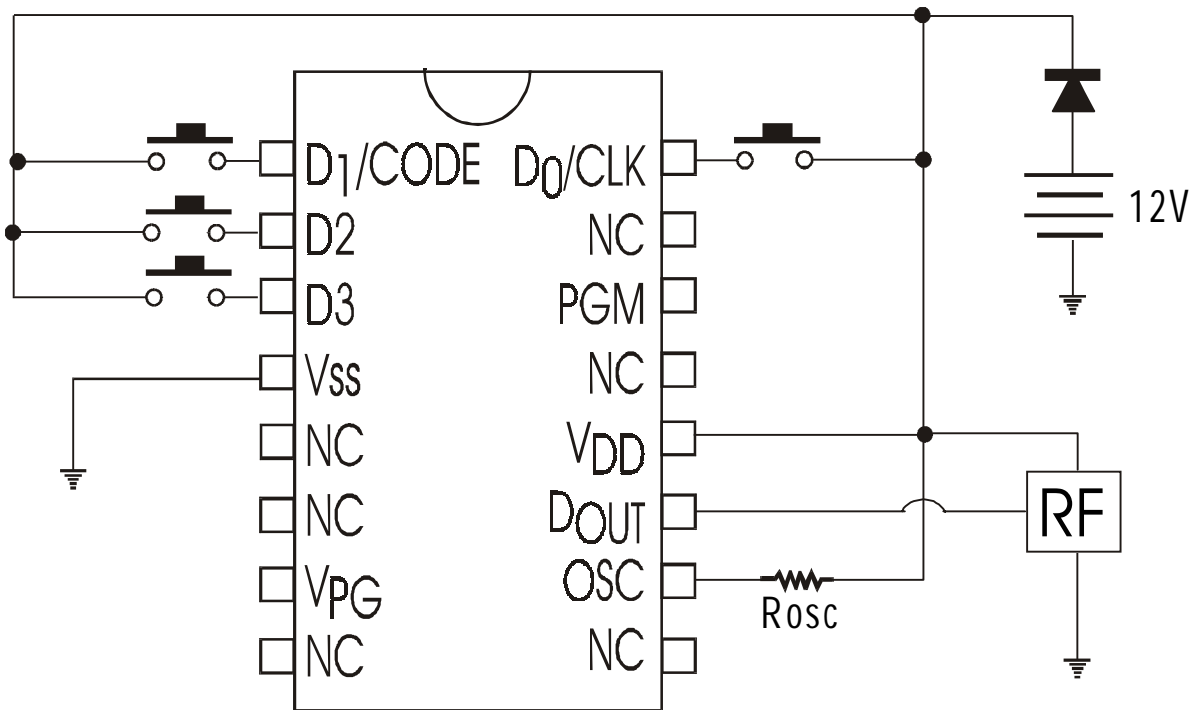


PT2282 (16 PINS)



PT2282 (8 PINS)

**APPLICATION CIRCUITS**



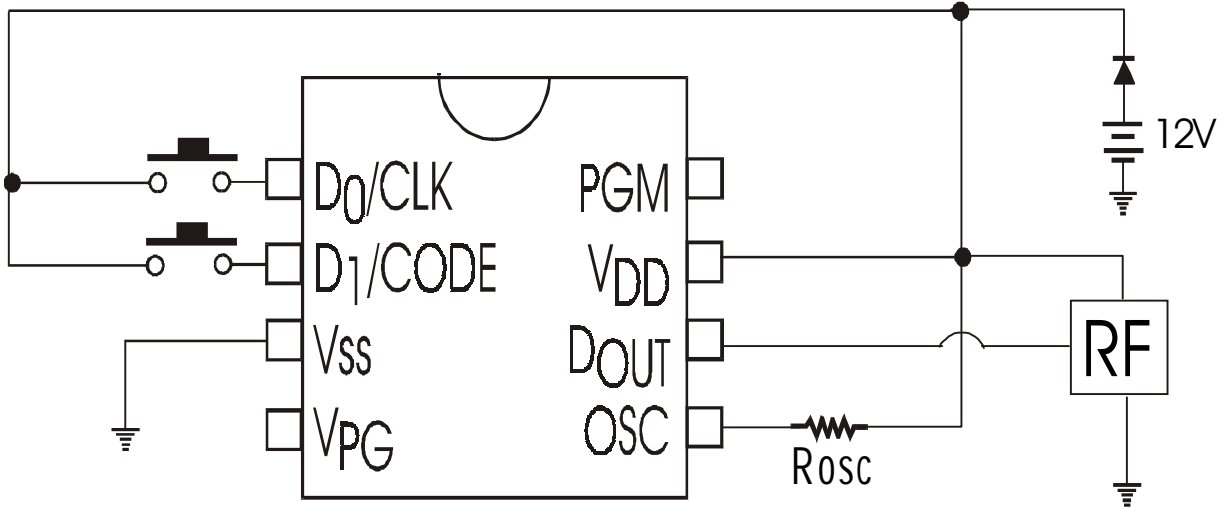
PT2282 (16 PINS)



Programmable Rolling Code Encoder IC

*Preliminary*

**PT2282**



PT2282 (8 PINS)

Note: In order that IC protection is assured, please make sure that a diode is connected between the battery and the VDD. If the diode is not connected and the battery was inverted, then the IC will fail.