



W9960CF

VIDEO CODEC

Technical Reference Manual

Version 1.11

June, 1997

Copyright by Winbond Electronics Corp., all rights reserved

The information in this document has been carefully checked and is believed to be correct as of the date of publication. Winbond Electronics Corp. reserves the right to make changes in the product or specification, or both, presented in this publication at any time without notice.

Winbond assumes no responsibility or liability arising from the specification listed herein. Winbond makes no representations that the use of its products in the manner described in this publication will not infringe on existing or future patent, trademark, copyright, or rights of third parties. No license is granted by implication or other under any patent or patent rights of Winbond Electronics Corp.

IBM is a registered trademark and AT, XT, and OS/2 are trademarks of International Business Machines Corp.

Intel is a registered trademark of Intel Corporation.

Microsoft is a registered trademark and Windows, Windows 95, and DirectDraw are trademarks of Microsoft Corp.

Philips is a registered trademark of Philips International B.V.

ALL OTHER TRADEMARKS AND REGISTERED TRADEMARKS ARE THE PROPERTY OF THEIR RESPECTIVE HOLDERS.

1. INTRODUCTION.....	5
1.1 OVERVIEW.....	5
1.2 FEATURES.....	6
2. PIN DESCRIPTION.....	7
2.1 PIN DEFINITION.....	7
2.2 PINOUT DIAGRAM.....	11
3. FUNCTIONAL DESCRIPTION	12
3.1 W9960CF ARCHITECTURE	12
3.2 PCI INTERFACE.....	13
3.3 VRISC	14
3.4 FRAME MEMORY DMA CONTROLLER (FDMA).....	20
3.4.1 Bus Arbitration	21
3.4.2 FDMA Transfer Type	21
3.4.3 FDMA Programming	22
3.4.4 FDMA Addressing Registers	24
3.5 EXTERNAL MEMORY DMA CONTROLLER (XDMA).....	26
3.6 DRAM MEMORY INTERFACE.....	28
3.7 INTERRUPT/TRIGGER CONTROLLER	30
3.8 X_INTERRUPT CONTROLLER (XINTC).....	32
3.9 GPIO (GENERAL PURPOSE INPUT/OUTPUT) PORT.....	33
3.10 TIMER.....	33
3.11 VIDEO PRE/POST PROCESSING ENGINE	35
3.11.1 Video PreProcessor (VPRE).....	35
3.11.2 Video PostProcessor (VPOST).....	36
3.12 MOTION ESTIMATION ENGINE	38
3.13 FILTER ENGINE.....	39
3.14 FIDCT/Q/IQ ENGINE.....	42
3.15 PROGRAMMABLE INPUT/OUTPUT ENGINE	44
3.16 VARIABLE LENGTH CODE DECODER	46
3.17 AUDIO COPROCESSOR INTERFACE	47
3.18 VARIABLE LENGTH CODE ENCODING (VLE) ENGINE	48
3.19 ISA-LIKE INTERFACE.....	49
4. W9960CF REGISTERS	51
4.1 PCI CONFIGURATION REGISTERS.....	51
5. ELECTRICAL SPECIFICATIONS.....	57
5.1 ABSOLUTE MAXIMUM RATINGS.....	57

5.2 DC SPECIFICATIONS.....	57
5.3 AC SPECIFICATIONS.....	57
5.3.1 Clock Specification	58
5.3.2 Reset Timing	58
5.3.3 PCI Interface AC Timing.....	59
5.3.4 AUDIO Interface AC Timing.....	60
5.3.5 DRAM Interface AC Timing.....	61
5.3.6 GPIO AC Timing.....	62
5.3.7 Video PreProcessor AC Timing.....	63
5.3.8 ISA-Like Bus AC Timing	64
6. APPENDIXES	65
6.1 PORTING GUIDE FOR W9960 WIN95 DEVICE DRIVER	65
6.2 FIRMWARE LOADING PRECEDURE	65
6.3 APPLICATION/FIRMWARE COMMAND BLOCK.....	65

1. INTRODUCTION

1.1 Overview

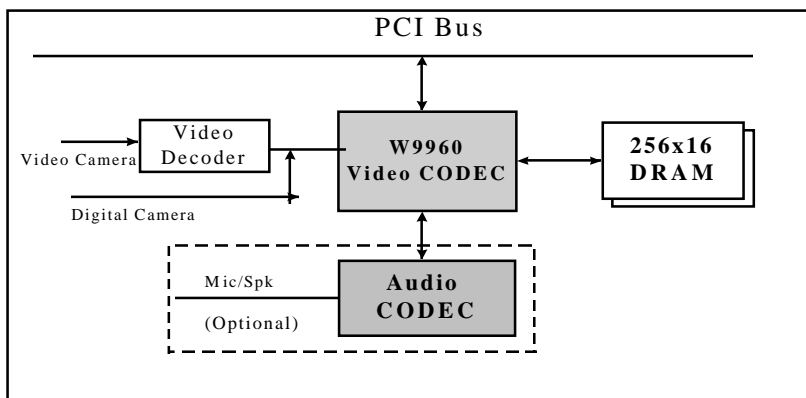
W9960CF is a single chip multi-protocol high performance video CODEC offered by Winbond Electronics Corp. for video compression and decompression applications such as video-conference.

W9960CF is composed of a high performance RISC processor core (VRISC), function blocks for video encoding/decoding and a downloadable program memory such that the system can be runtime configured for a variety of video applications. The function blocks in W9960CF are computing engines for: Discrete Cosine Transform (DCT), Inverse Discrete Cosine Transform (IDCT), Motion Estimation (ME), Motion Compensation (MC), Quantization (Q), Dequantization (Q^{-1}) and VLE/VLD (Variable Length Encoding/Decoding) algorithms. Using these function blocks, the firmware can direct the VRISC processor to perform ITU-T H.261/ H.263 simultaneous video bitstream encoding/decoding.

Although W9960CF is designed for multiple standard video encoding and decoding, it is particularly optimized for H.261/H.263 video-conference application. W9960CF supports all video resolutions as specified in the H.261/H.263 standards, including SQCIF, QCIF and CIF at high video frame rate. For CIF resolution in H.261 and QCIF resolution in H.263, specifically, W9960CF delivers excellent encoding/decoding performance.

Implementing most the advanced video encoding options, W9960CF enables lowest video data rate such that maximum frame rate can be achieved through ISDN, PSTN and Internet networks. The advanced encoding options supported are: Unrestricted Motion Vector Mode, and PB-frame Mode. With half-pixel search for motion estimation function, W9960CF further enhances video quality with even lowered video bitstream data rate.

W9960CF is also designed with a most cost-effective PC based video-conference solution in mind. It has a digital live video interface for glueless support a of major video decoders and coefficient-programmable filter circuitry for input video enhancement. For video displaying, it supports PCI master mode capability to access video frame buffer of PCI-based graphics adapters. W9960CF also provides an interface for audio modules. The audio modules connected can be a CODEC for G.711/G.722/G.723/G.728 standards, or a PCM CODEC for audio raw data. W9960CF uses ordinary FPM or EDO DRAM as working storage. Figure shows application block diagram.



1.2 Features

- Built-in RISC processor core and 4.5Kx22 bits program memory
- Supports ITU-T H.263 and H.261 simultaneous video encoding and decoding
- Supports SQCIF, QCIF and CIF video resolutions
- Supports H.263 Annex D Unrestricted Motion Vector mode
- Supports H.263 Annex G PB-frames Mode
- Supports both integer search and half-pixel search motion estimation
- Built-in BCH error correction and framing error detection circuitry
- Supports YUV 4:2:2 video input interface for video camera
- Built-in filter circuit with programmable coefficients for input video enhancement
- Selectable video output formats including YUV 4:2:2 and RGB 5:6:5
- Supports PCI master mode to access graphics adapters for video displaying
- Supports panning and zooming over video input
- Provides audio connection to external audio DSP modules
- Uses conventional FPM and EDO DRAM
- No SRAM required
- Optimized for 3.3 volts operation
- 0.5um CMOS technology
- 208-pin PQFP package

2. PIN DESCRIPTION

2.1 Pin Definition

Pin Name	Pin No.	Type	Function
PCI BUS (50 pins)			
AD31-AD0	204-205,4-9, 16-23, 42-49, 57-60, 65-68	IO	Address and Data are multiplexed on the same PCI pins. The address phase is the clock cycle in which FRAME# is asserted. During data phase AD7-AD0 contain the least significant byte (lsb) and AD31-AD24 contain the most significant byte (msb)
C/BE3-C/BE0	14,28,37,56	IO	Bus Command and Byte Enables are multiplexed on the same PCI pins. During the address phase of a transaction, C/BE3#-C/BE0# define the bus command. During the data phase C/BE3#-C/BE0# are used as Byte Enable
PAR	36	IO	Parity is even parity across AD31-AD0 and C/BE3#-C/BE0#
FRAME#	29	IO	FRAME# is asserted to indicate a bus transaction is beginning
TRDY#	31	IO	Target Ready indicates the ability of target agent to complete the current data phase of the transaction
IRDY#	30	IO	Initiator Ready indicates the ability of bus master to complete the current data phase of the transaction.

INTA#	199	O	Interrupt A is used to request an interrupt
STOP#	33	IO	Stop indicates the current target is requesting the master to stop the current transaction.
DEVSEL#	32	IO	Device Select, indicates the driving device has decoded its address as the target of the current access
IDSEL	15	I	Initialization Device Select is used as chip select during configuration read and write transactions.
PERR#	34	IO	Parity Error is for the reporting of data parity errors
SERR#	35	O	System Error is for reporting address parity errors, or any other system error where the result will be catastrophic.
REQ#	203	O	Request indicates to the arbiter that W9960 desires use of the bus
GNT#	202	I	Grant indicates that W9960 access to the bus has been granted
CLK	201	I	PCI Clock
RST#	200	I	PCI Reset

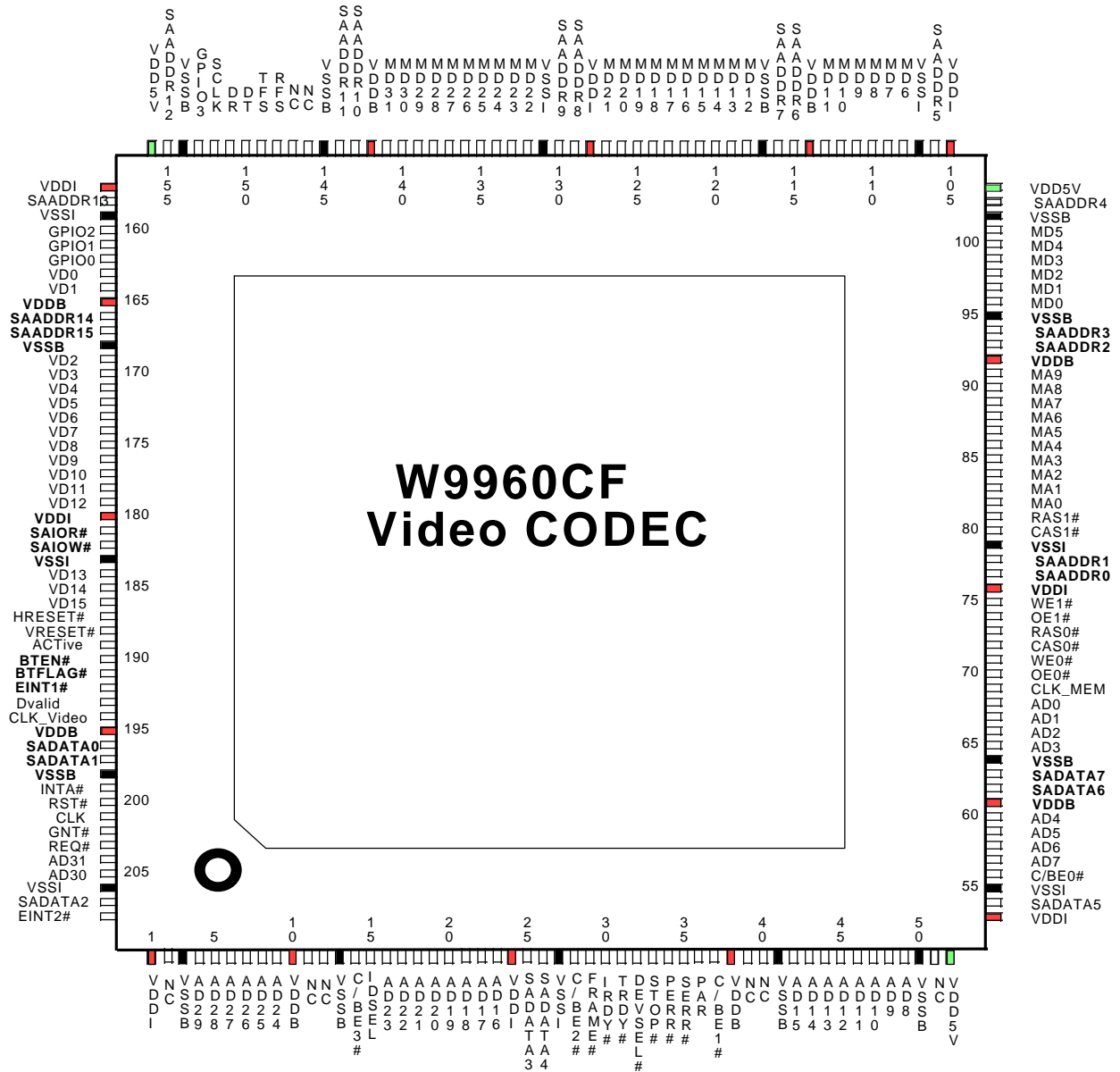
GPIO BUS (4 pins)			
GPIO3- GPIO0	153, 160-162	IO	Connect to GPIO bus to video decoder or coprocessor

Pin Name	Pin No.	Type	Function
DRAM BUS (50 pins)			
MD31-MD0	141-132,127-118, 113-108, 101-96	IO	DRAM Data Bus
OE1# -OE0#	74,70	O	DRAM Output Enable
RAS1# - RAS0#	81,73	O	DRAM Row Address Strobes
CAS1# - CAS0#	80,72	O	DRAM Column Address Strobes
MA9 - MA0	91-82	O	DRAM Address Bus
WE1# -WE0#	75,71	O	DRAM Write Enable; WE1# for MD31-MD16, and WE0# for MD15-MD0
AUDIO BUS (5 pins)			
RFS	148	IO	Receiver Frame Signal
TFS	149	IO	Transmission Frame Signal
DT	150	O	Transmission Data
DR	151	I	Receiver Data
SCLK	152	IO	clock of serial port
VIDEO BUS (20 pins)			
VD15-VD0	186-184, 179-169, 164-163	I	Video Data Bus
HS/HRESET#	187	IU	Horizontal Sync
VS/VRESET#	188	I	Vertical Sync
HREF/ACTiVe	189	I	Active region
Dvalid	193	IU	Video Data Valid

Pin Name	Pin No.	Type	Function
ISA-Like BUS (30 pins)			
SADATA0 - SADATA7	196-197, 207, 25-26, 54, 62-63,	IO	8-bit Parallel Data Bus
SAADDR0 - SAADDR15	77-78, 93-94, 103, 106, 115-116, 129-130, 143-144, 155, 158, 166-167	O	16-bit Parallel Address Bus
SAIOR#	181	O	IO Read Control signal
SAIOW#	182	O	IO Write Control signal
EINT1#	192	IU	External Interrupt #1
EINT2#	208	IU	External Interrupt #2
BTEN#	190	IU	External Boot ROM Enable When BTEN# low active, firmware down-load by through ISA-Like Bus automatically after RST# inactive
BTFLAG#	191	O	External Boot ROM Chip Select
CLOCK SOURCE (2 pins)			
CLK_MEM	69	I	Internal Clock
CLK_Video	194	I	Video Clock
Note: IU : Input with internal pull-high Pad			

Pin Name	Pin No.	Type	Function
POWER (39 pins)			
VDD	1,10,24,38,53, 61,76,92,105, 114,128,142, 157,165,180, 195		3.3V DC Power supply
VSS	3,13,27,41,50, 55,64,79,95, 102, 107,117,131, 145, 154, 159, 168, 183, 198, 206		Ground
VDD5V	52,104,156		5.0V DC Power supply
NC (8 pins)			
NC	2,11,12, 39, 40, 51, 146, 147		No Connection

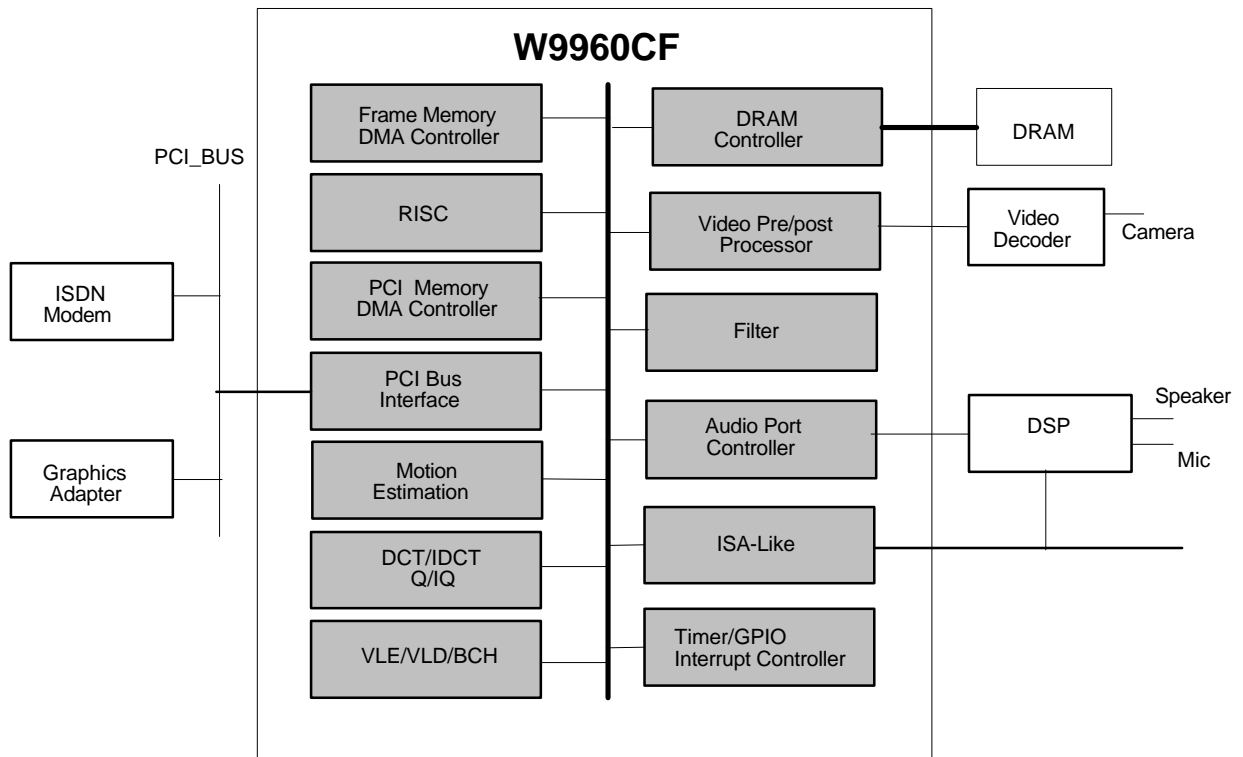
2.2 PinOut Diagram



3. FUNCTIONAL DESCRIPTION

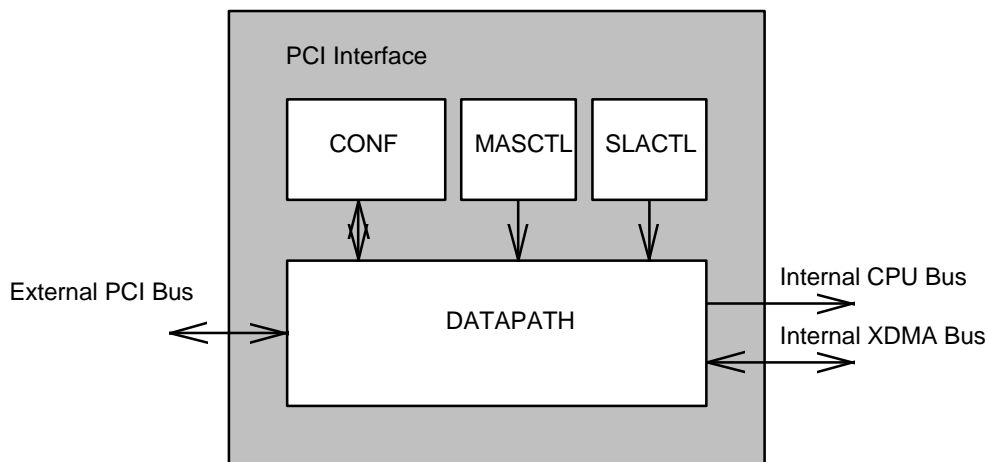
3.1 W9960CF Architecture

W9960CF is composed of a high performance RISC processor core (VRISC), function blocks for video encoding/decoding and a downloadable program memory such that the system can be run-time configured for a variety of video applications. The figure is a block diagram for W9960CF.



3.2 PCI Interface

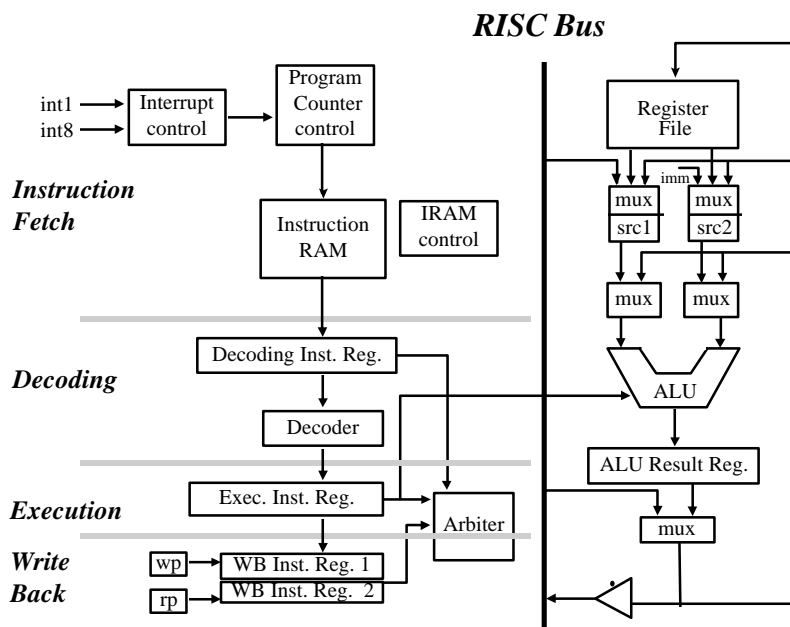
W9960CF provides PCI master/slave Interface. In the master mode, it supports fast DMA data transfer for video/audio bitstream, picture direct draw to graphic display device and VRISC firmware download. In the slave mode, there are two Base Address Registers for W9960CF internal registers and external DRAM accessing by the host processor. All data accessing, except for configuration registers, should be word (2-byte) or double word (4-byte) read/write operations.



Address \ Bit	31	24	23	16	15	8	7	0
00H	Device ID				Vendor ID			
04H	Status				Command			
08H	Class Code						Revision ID	
0CH	Reserved	Header Type		Latency Timer		Reserved		
10H	Base Address Register 0 (BAR0)							
14H	Base Address Register 1 (BAR1)							
18H - 38H	Reserved							
3CH	Reserved	Reserved	Interrupt Pin		Interrupt Line			

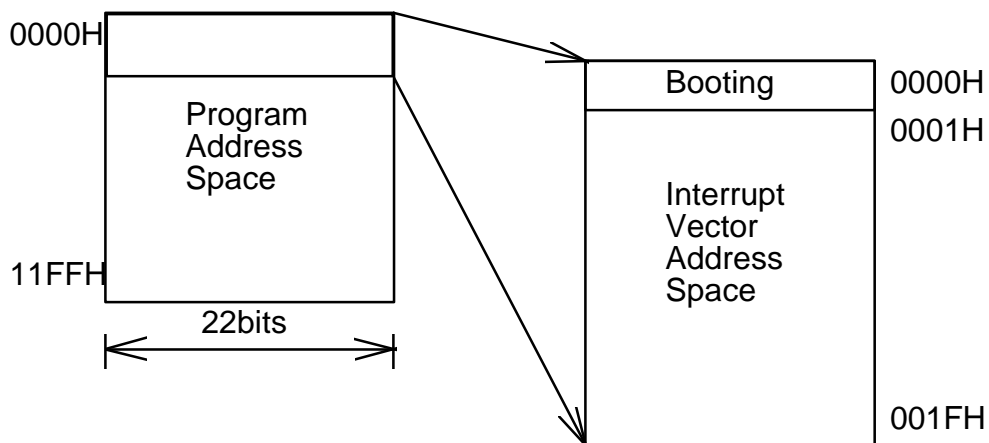
3.3 VRISC

VRISC contains a 4-staged pipeline: Instruction Fetch (IF), Instruction Decoding (DEC), Operand Execution (EXE), and Result Write-Back (WB), and a 16-bit ALU with Integer Multiplication and Division. It uses a built-in 1K-byte Data RAM and a 4.5Kx22 bit Instruction RAM to which the firmware program can be downloaded from the host processor. This VRISC contains a tri-port (2-read/1-write) 32x16 bit Register File and 32 interrupt vectors.

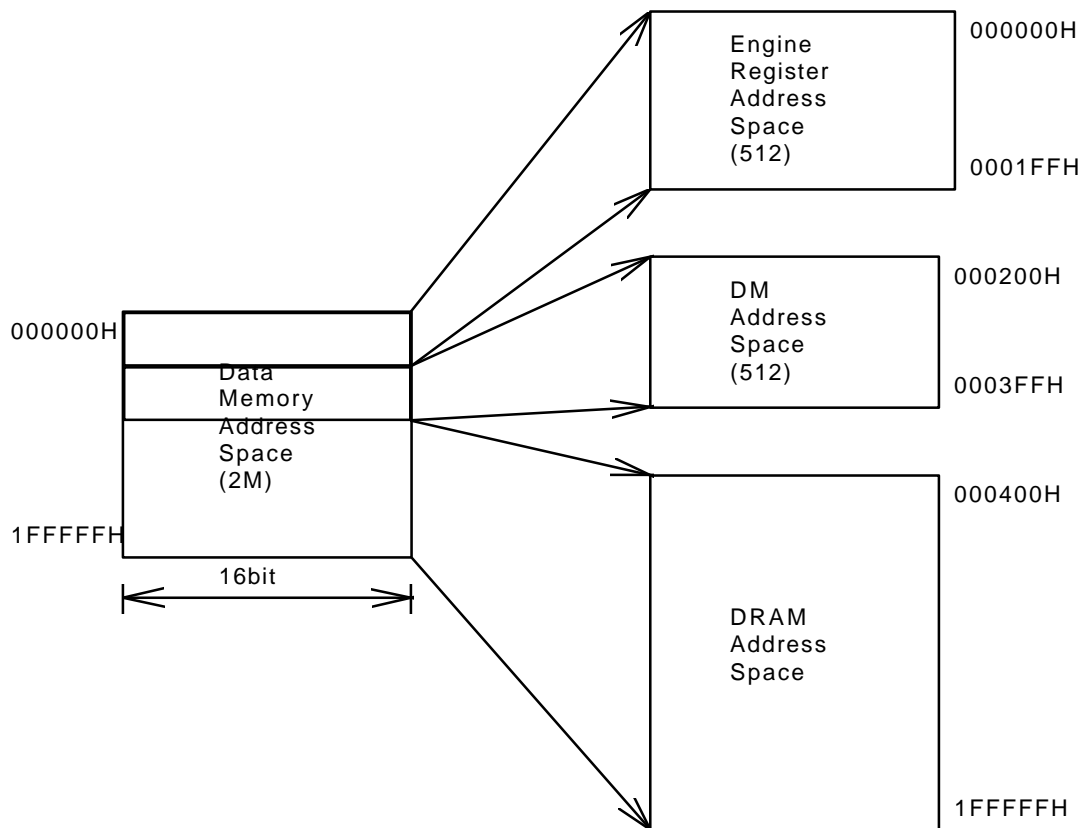


Address Spaces

VRISC has two address spaces: the Program Address Space and the Data Memory Address Space. The following figure illustrates the layout of the booting address, interrupt vector address space in the main program address space. Program always start from booting address (0000H) after the host enables VRISC. Address 0001H through 001FH stores Interrupt vector for Interrupt service routines. Figure 2 illustrates the layout of the registers, Data Memory (DM), external DRAM address space in the main data memory address space. Address 000000H through 0001FFH is for VRISC Register File referencing, address 000200H through 0003FFH is for internal DM memory accessing, and address 000400H through 1FFFFFFH is for external DRAM accessing. VRISC cannot access the external DRAM from address 000000H through 0003FFH since this address space are reserved for internal registers and DM memory.



Program Addressing Space



Data Memory Addressing Space

Addressing Mapping

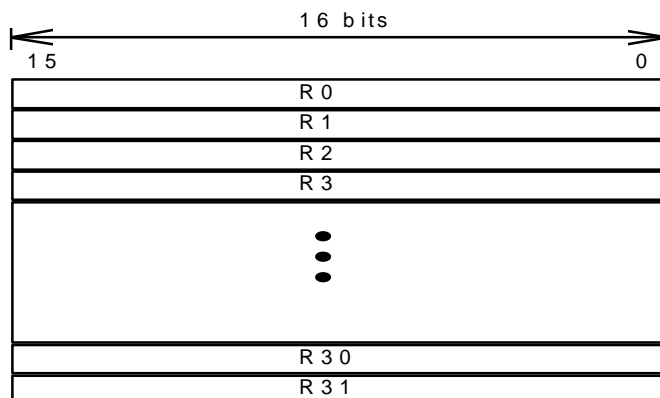
VRISC has a 5-bit segment register, DMSA. The 21-bit memory address is composed of the 5-bit content of the DMSA and the content of one of the 32 16-bit general registers as specified in the Load and Store instruction. The segment register provides a solution to extend the address space from 64K to 2M bytes. DMSA is a write-only register which can be programmed by the SEGS imm5 instruction (see VRISC Instruction Set).

Data Memory Address Mapping

20	16	15	0
DMSA[4:0]		R#[15:0]	

General Registers (R0..R31)

VRISC has 32 16-bit general registers to provide the resource for all computation. They are numbered as R0 through R31. R0 delivers zero when referenced as a source operand. When R0 is used as destination, the result is discarded.



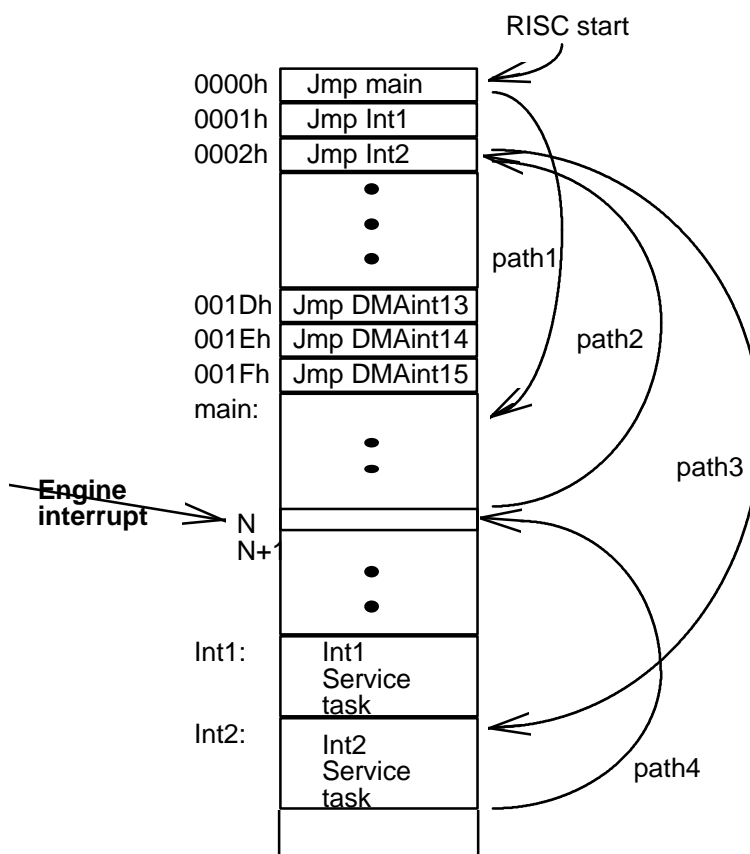
Interrupt Handling

Vector	Name	Engine	Description
0000h			main program starting address
0001h	MERDY	ME	ME ready interrupt
0002h	FRDY	FILTER	FILTER ready interrupt
0003h	TendINT	DCT/IDCT	IDCT ready interrupt

		(D)	
0004h	RISCINT	DCT/IDCT (E)	DCT ready interrupt
0005h	XDMATC	XDMA	XDMA TC interrupt
0006h	EXTINT	Ext. Interrupt	External Interrupt
0007h	VLE_INT	VLE	VLE ready interrupt
0008h	DTR_INT	TIMER	DTR time out interrupt
0009h	ETR_INT	TIMER	ETR time out interrupt
000Ah	TOUT0	TIMER	Timer #0 time out interrupt
000Bh	TOUT1	TIMER	Timer #1 time out interrupt
000Ch	PCI_INT	HOST	Host interrupt VRISC
000Dh	VLRDY_INT	VLPIO	VLD ready interrupt
000Eh	UFRAME_INT	VLPIO	Unframe or FIFO empty Interrupt
000Fh	VLDREQ_INT	VLPIO	FIFO full or Block error interrupt
0010h	FDREQ	FILTER	DMA TC interrupt for FILTER input
0011h	DREQ_SWIN	ME	DMA TC interrupt for Search Window
0012h	DREQ_CBLK	ME	DMA TC interrupt for Current Block
0013h	FODREQ	FILTER	DMA TC interrupt for FILTER output
0014h	DRQDMAIN	DCT/IDCT	DMA TC interrupt for DCT input
0015h	DRQIDCTR_D	DCT/IDCT	DMA TC int. for IDCT output of Decoding
0016h	DRQDCTR_E	DCT/IDCT	DMA TC int. for IDCT output of Encoding
0017h	dreqV	VPRE	DMA TC int. for V block of Capture-in
0018h	dreqU	VPRE	DMA TC int. for U block of Capture-in
0019h	dreqY	VPRE	DMA TC int. for Y block of Capture-in
001Ah	ydreq	VPOST	DMA TC int. for Y block of Display-out
001Bh	udreq	VPOST	DMA TC int. for U block of Display-out
001Ch	vdreq	VPOST	DMA TC int. for V block of Display-out
001Dh	DREQ_ENCF	VLPIO	DMA TC int. for Encoding bitstream
001Eh	DREQ_DECF	VLPIO	DMA TC int. for Decoding bitstream
001Fh	DREQ_IPTF	VLPIO	DMA TC int. for bitstream from PCI FIFO

VRISC provides 32 vectors on the top of the VRISC program space for jumping to interrupt service routines. These 32 interrupt jump vectors consist of 15 engine interrupts (0001h~000Fh) and 16 DMA TC interrupts (0010h~001Fh). The 0000h vector jumps to the main program starting address. The following example describes the interrupt handling flow:

- **VRISC Start** : VRISC Program Counter (PC) always starts from address 0000h after the host processor enables VRISC. The content of address 0000h should be a JMP instruction to jump to the entry point of the main program. (path1)
- **Engine Interrupts** : When VRISC receives an engine interrupt, Program Counter assumes the value of the interrupt vector address according to the interrupt happening (path2). The processor then jumps to the interrupt service routine (path3). When an interrupt is happening, VRISC disables other interrupt inputs and stores the current fetch address at IF stage, current instruction at DEC stage, and current status at EXE stage to shadow registers. They will be restored after VRISC finishes the interrupt service.
- **Interrupt Service Routine** : The IVEC (Interrupt Vector) register has to be read out to generate an acknowledge signal to the interrupting engine. An EI instruction should be used at the bottom of the service routine to enable other interrupt inputs again. The last instruction of a service routine is the RET instruction, which restores all status from the shadow registers and then the VRISC resumes the original program flow (path4).



VRISC Shadow Registers

VRISC Shadow Registers are used to store the CPU status when VRISC runs into a Call instruction or an Interrupt. All registers in this group can only be accessed by VRISC. Host cannot access registers of this group.

VRISC Address	Name	Read/Write	Description
008H	MPZ0	R/W	Execution Status Return Register
009H	PC0	R/W	Program Counter Return Register
00AH	IR0_L	R/W	low-order bits of Instruction Return Register
00BH	IR0_H	R/W	high-order bits of Instruction Return Register
00CH	TEMPRES_H	R	high-order bits of TEMPRES Register
00DH	TEMPRES_L	R	low-order bits of TEMPRES Register

3.4 Frame Memory DMA Controller (FDMA)

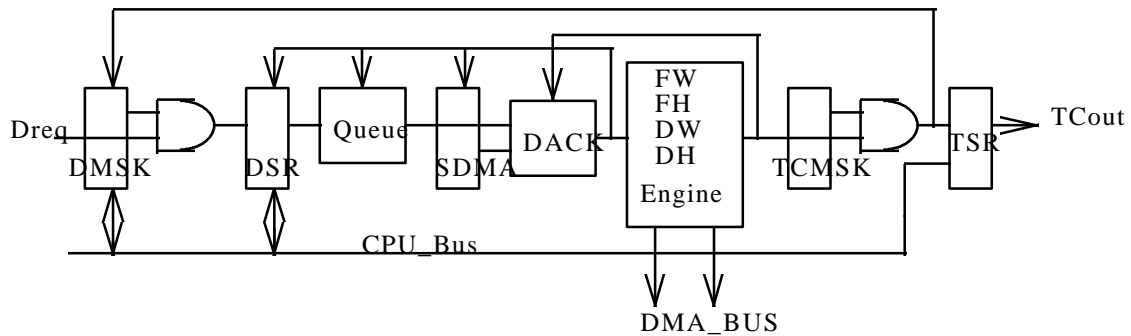
There are 16 FDMA channels which are used for direct memory accessing between frame memory (DRAM) and the engines. The transfer type can be either Demand or Block Mode. Each transfer type can be either Linear or Blocking Addressing. The programmer needs to specify the picture size with PH/PW register, transfer size with the EH/EW register, the picture starting point with FMSA register and engine starting address with ESP register.

FDMA generates a TC signal to interrupt VRISC when DMA service is completed. When TC interrupts VRISC, the DMASK bit is cleared automatically. The FDMA requests are queued when FDMA is busy. The software FDMA has the highest priority.

FDMA channel assignment is as follows:

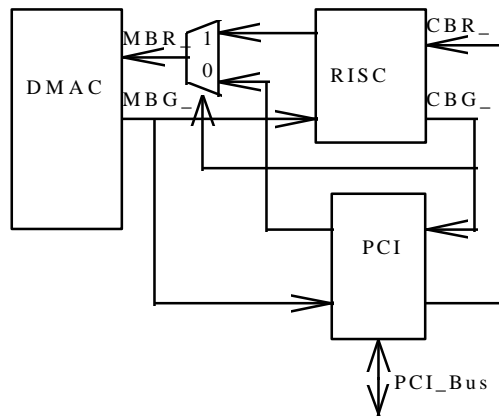
Channel	DMA request	Engine	direction	U	LIN	dmd	R/W	Description
0	FDREQ	Filter	M > E	U			W	block in for MC
1	DREQ_SWIN	ME	M > E	U			W	block in for Search Window of ME
2	DREQ_CBLK	ME	M > E				W	block in for Current Block of ME
3	FODREQ	Filter	E > M				R	block out for BY-pass Filter
4	DRQDMAIN	DCT/IDCT	M > E				W	block in for DCT
5	DRQIDCTR_D	DCT/IDCT	E > M				R	block out for Decoder Re-Construct
6	DRQDCTR_E	DCT/IDCT	E > M				R	block out for Encoder Re-Construct
7	dreqV	Video_In	E > M			dmd	R	Chrom Cr of Video Capture
8	dreqU	Video_In	E > M			dmd	R	Chrom Cb of Video Capture
9	dreqY	Video_In	E > M			dmd	R	Lum Y of Video Capture
10	dreqY	Video_Out	M > E			dmd	W	Lum Y of Display
11	dreqU	Video_Out	M > E			dmd	W	Chrom Cb of Display
12	dreqV	Video_Out	M > E			dmd	W	Chrom Cr of Display
13	DREQ_ENCF	PIO	M > E		LIN	dmd	W	Encoder bitstream out
14	DREQ_DECF	PIO	M > E		LIN	dmd	W	Decoder bitstream from FM to VLD
15	DREQ_IPTF	PIO	E > M		LIN	dmd	R	Incoming decoding bitstream from PIO input FIFO to FM

Block Diagram



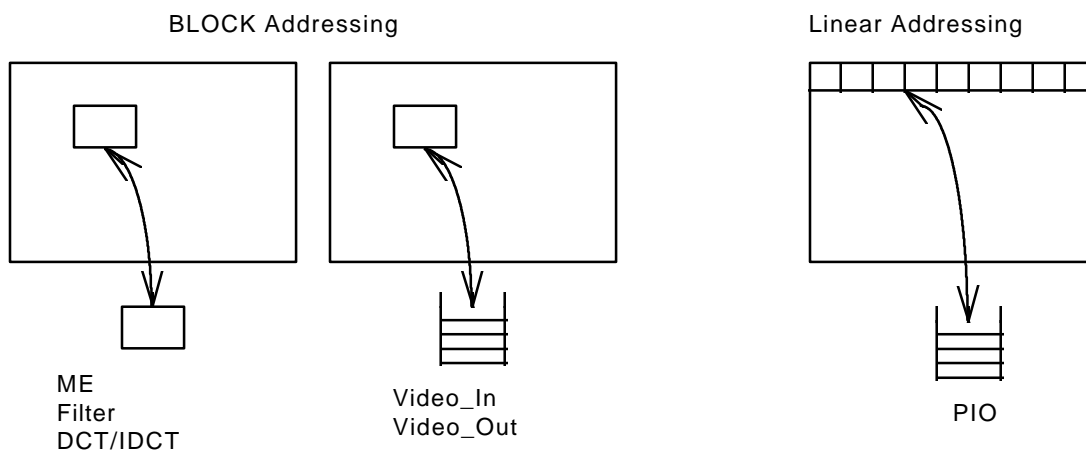
3.4.1 BUS ARBITRATION

PCI bridge has the highest priority of bus access, VRISC has second priority and FDMA has the lowest priority. PCI issues CBR_(CPU Bus Request) to get memory bus when VRISC is working. Also, VRISC can interrupt FDMA by issuing a MBR_(Memory Bus Request) signal to get access to memory bus.



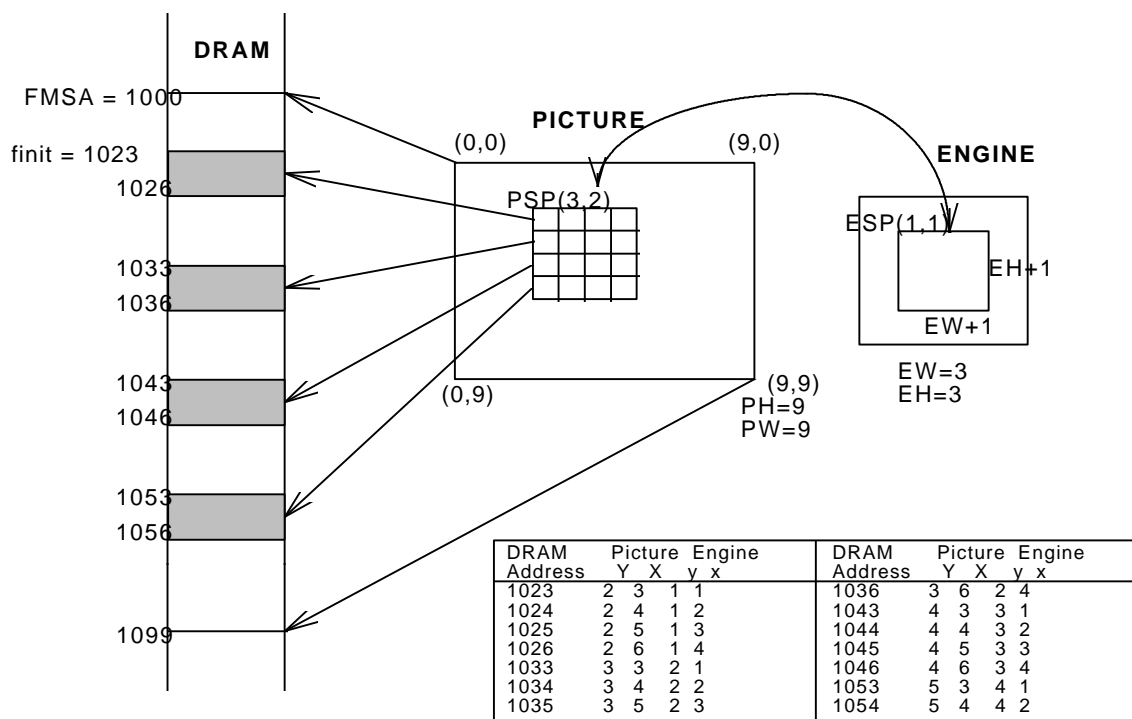
3.4.2 FDMA TRANSFER TYPE

The FDMA do Unrestricted Mode when the start point of picture is out of picture boundary.



3.4.3 FDMA PROGRAMMING

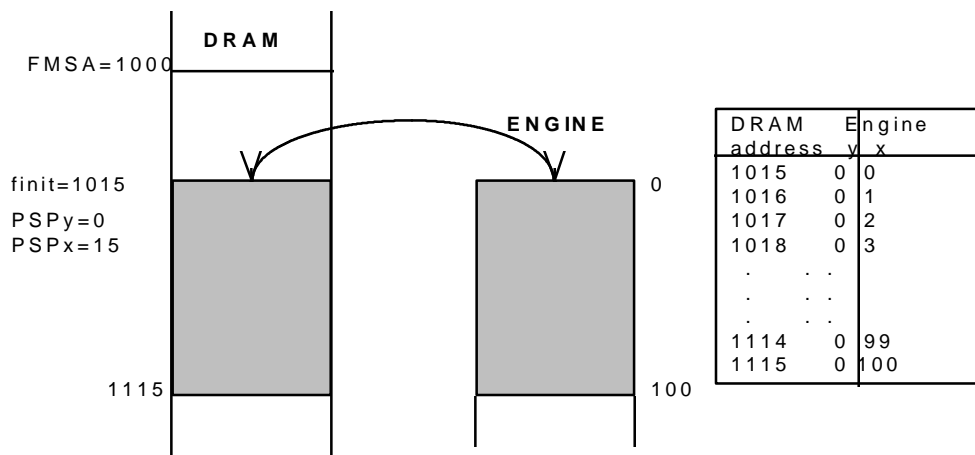
1. FDMA has two addressing modes: Linear and Block Addressing; and two transfer modes: Block and Demand Mode transfer.
2. Unrestricted mode is only supported by chanenI0 through channel3. So the PSP (Picture Start Point) can be of negative value.
3. Block addressing mode : The following is the relation between DRAM address and Engine address



4. Program FDMA control registers.

- a. MODE register : LIN=0 (block addressing), PP(2:0), Eph(3:0), Epw(3:0), Dmd(0), RW_
- b. Transfer size register : EW(EPw(3:0)), EH(Eph(3:0)),
 $transfer\ size = (EW+1) * (EH + 1) = (3+1) * (3+1) = 16$
- c. Picture size register : PW(PP(2:0)), PH(PP(2:0))
- d. Frame memory starting address : FMSA = 1000
- e. Picture Start Point : PSPy = 2, PSPx = 3,
- f. Start to calculate finit=(PSPy * (PW+1) + PSPx) + FMSA = (2 * (9+1) + 3) + 1000 = 1023
- g. Engine start point : ESP = (1, 1)
- h. Enable DMASK

5. Linear addressing mode



6. Program control registers.

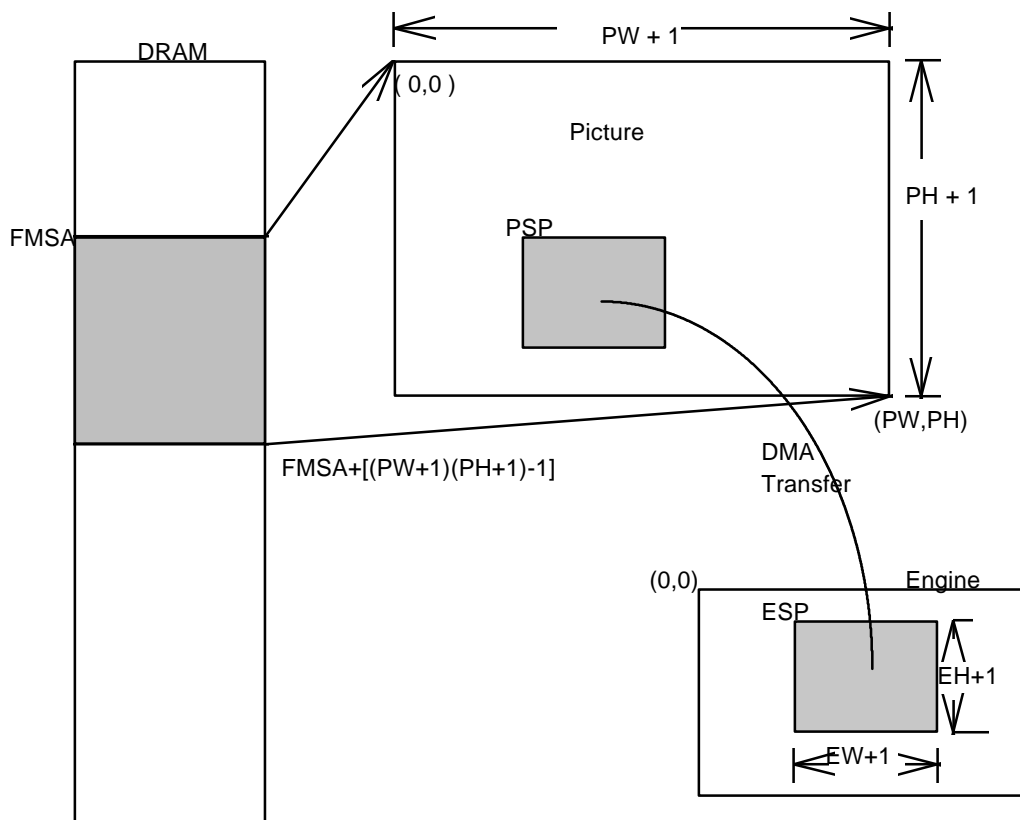
- a. MODE register : LIN=1 (linear addressing), Eph(3:0), Epw(3:0), Dmd(1), RW_
- b. Transfer size register : EW(EPw(3:0)), EH(Eph(3:0)),
 $transfer\ size = EH * 2^{**9} + (EW + 1) = 0 * 2^{**9} + (100 + 1) = 101$
- c. Frame memory starting address : FMSA = 1000
- d. Picture start point : PSPy = 0, PSPx = 15,
- e. Start to calculate finit=(PSPy*(PW+1) + PSPx) + FMSA = (0 * (9+1) + 15) + 1000 = 1015
- f. Engine start point : ESP = (0, 0)
- g. Enable DMASK

7. In demand mode, the DMA service will pause if DMA request becomes inactive, and the service will continue if DMA request is active again.

8. FDMA still transfers two sets of data after DMA request becomes inactive in demand mode.

3.4.4 FDMA ADDRESSING REGISTERS

Each channel has 4 addressing registers: Engine Start Point Register, Picture Start Point Register of X_axis, Picture Start Point Register of Y_axis and Frame Memory Start Address Register.



FDMA Registers List

RISC Address/PCI Offset Address	Name	Read/Write	Description
0040H - 004FH/0100H - 013CH	ESP0-15	R/W	Engine Start Point Register
0050H - 005FH/ 0140H - 017CH	PSPx0-15	W	Picture Start Point of X-axial
		R	Frame initial value-L
0060H - 006FH/ 0180H - 01BCH	PSPy0-15	W	Picture Start Point of Y-axial
		R	Frame initial value-H
0070H - 007FH,/ 01C0H - 01FCH	FMSA0-15	R/W	Frame Memory Start Address

RISC Address/PCI Offset Address	Name	Read/Write	Description
0030H/00C0H	DMA_Index	R/W	FDMA Index Register
0031H/00C4H	DMSK	R/W	FDMA Mask Register
0032H/00C8H	SDMA	R/W	Software FDMA
0033H/00CCH	DSTS	R/W	FDMA Status Register
0034H/00D0H	DTS	R	TC Status Register
0035H/00D4H	TCMSK	R/W	TC Mask Register
			Reserved
0037H/00DCH	DMA_HW	R/W	Height/Width Register

3.5 External Memory DMA Controller (XDMA)

There are 8 channels in XDMA which is used for direct memory accessing between PCI bus and internal engines. While XDMA has DMA request, PCI interface will enter PCI master mode to issue master cycles in PCI bus. The DMA transfer type supports both Demand Mode and Block Mode, each with Linear Addressing or Blocking Addressing. Channel #0 and #1 are used to transfer the remote and local picture out to system memory or graphic display device directly. Channel #2 and #3 are used to transfer audio bitstream to external DSP coprocessor. Channel #4 and #5 are used for video bitstream encoding and decoding. Channel #6 is used for firmware downloading. Channel #7 is for verifying half-pixel search window memory. Channel #7 should not be activated in normal operation. The programming sequence is like the following:

1. Setting DMA start address : programming XMSA register (External Memory Start Address register) with 32-bit access. The address should be double-word (4 bytes) aligned.
2. Setting DMA transfer mode : each channel has its own transfer mode register. The register is accessed by two steps: set index value into XDMA Index register and then write the data value into Height/Width register to set the Mode register (such as Linear/Block Addressing, Demand/Block Transfer, direction, and size index)
3. Setting DMA transfer size : the transfer size is defined by EH and EW registers. For Block Addressing Mode, the transfer size is $(EW+1) \times (EH+1) \times 4$ bytes; for Linear Addressing Mode, the size is generated by concatenating EH and EW registers, i.e. the transfer size is $(\{EH[8:0], EW[10:2]\}+1) \times 4$ bytes. XDMA provides 8 sets of EH and EW registers as indicated by each XDMA channel from the Mode register setting. The programming method of EH and EW register is the same as in programming Mode registers.
4. Setting frame size : XDMA , in Block Addressing Mode, refers to frame size of external memory to generate the block address. XDMA provides 8 sets of PH and PW registers to define the frame size $(PW+1) \times (PH+1) \times 4$.
5. Setting XTC Mask register: XTC Mask register indicates XDMA assert TC interrupt or not.
6. Setting XSDMA or XDMSK register: Host and VRISC can program XSDMA register to trigger software DMA operation. XDMSK register is for enabling hardware triggered DMA operations. Hardware engines can issue DMA requests to XDMA to trigger DMA when the corresponding bits in the XDMASK register are set.
7. Read XDTS register: while DMA operation has been completed and XDMA issues a TC interrupt to host or VRISC, the interrupt service routine has to read the XDTS register (TC status of XDMA) to clear the TC flag, so that the XDMA can continue with the next DMA operation.

Channel	DMA request	Engine	Direction	R/W	LIN	dmd	Description
0	XRdrq	VPOST	E > PCI	R	*	dmd	Remote Video out
1	DRQVPOSTX	VPOST	E > PCI	R	*	dmd	Local Video out
2	XDREQ_RX	Audio	E > PCI	R	LIN	dmd	Bit-stream for Audio out
3	XDREQ_TX	Audio	PCI > E	W	LIN	dmd	Bit-stream for Audio in
4	XDREQ_OPTF	PIO	E > PCI	R	LIN	dmd	Video Encoding Bit-stream output
5	XDREQ_IPTF	PIO	PCI > E	W	LIN	dmd	Video Bit-stream for Remote Data in
6	CPU_PM	CPU	PCI > E	W	LIN	dmd	Firmware download to PM
7	DACK_HSW	ME	E > PCI	R	*	*	Half_pixel Search Window (for Testing)

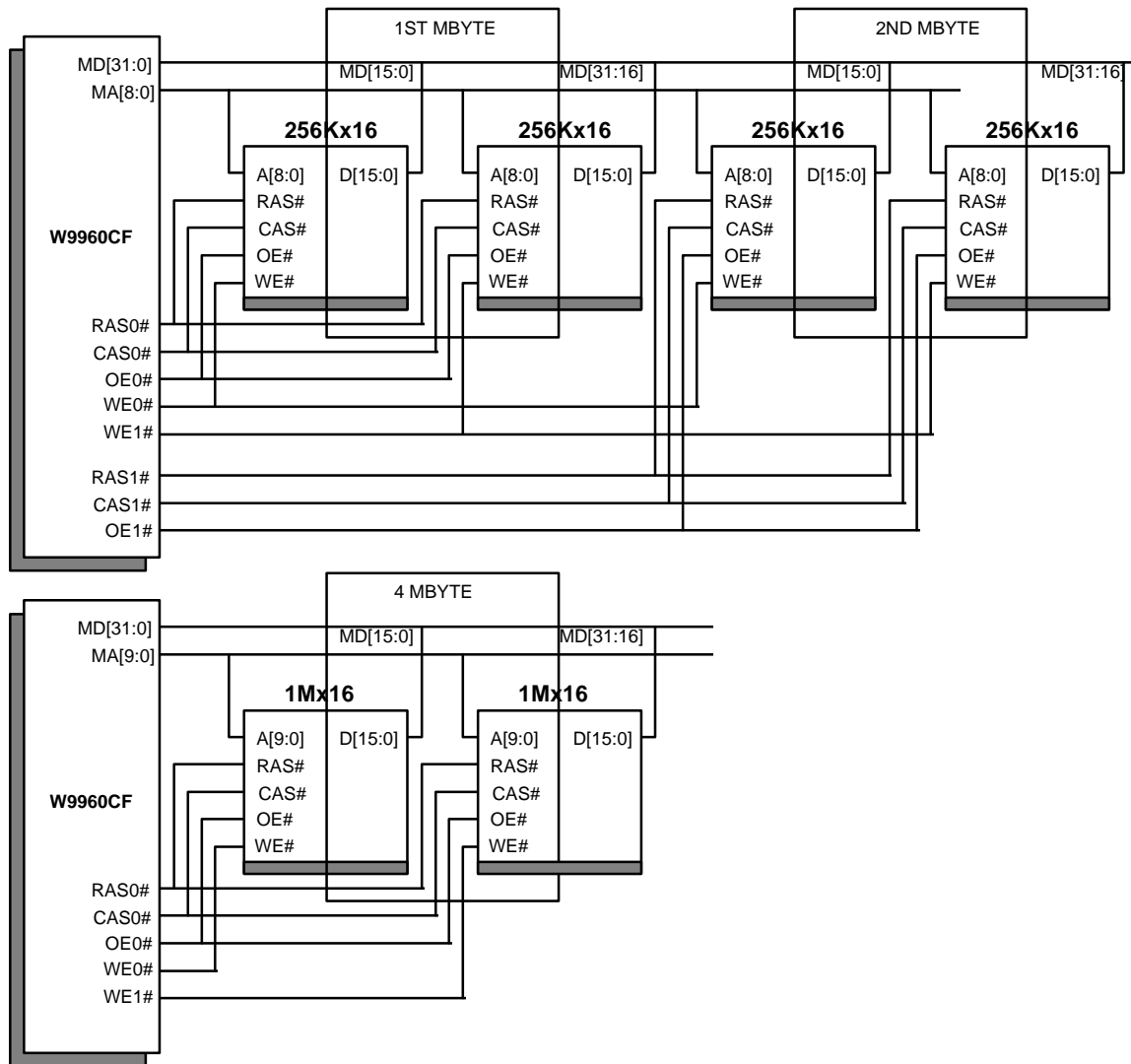
XDMAC Registers

RISC Address/PCI Offset Address	Name	Read/Write	Description
0090H - 0097H/0240H - 025CH	XMIL0-7	W	External Memory initial value-L
00A0H - 00A7H/0280H - 029CH	XMIH0-7	W	External Memory initial value-H
00B0H - 00B7H/ 02C0H - 02DCH	XMSA0-7	R/W	External Memory Start Address

RISC Address/PCI Offset Address	Name	Read/Write	Description
0038H/00E0H	XDMA_Index	R/W	XDMA Index Register
0039H/00E4H	XDMSK	R/W	XDMA Mask Register
003AH/00E8H	XSDMA	R/W	XDMA Software Trigger Register
003BH/00ECH	XDSTS	R/W	XDMA Status Register
003CH/00F0H	XDTS	R	TC Status of XDMA Register
003DH/00F4H	XTCMSK	R/W	TC Mask of XDMA Register
003EH/00F8H			(Reserved)
003FH/00FCH	XDMA_HW	R/W	XDMA Height/Width Register

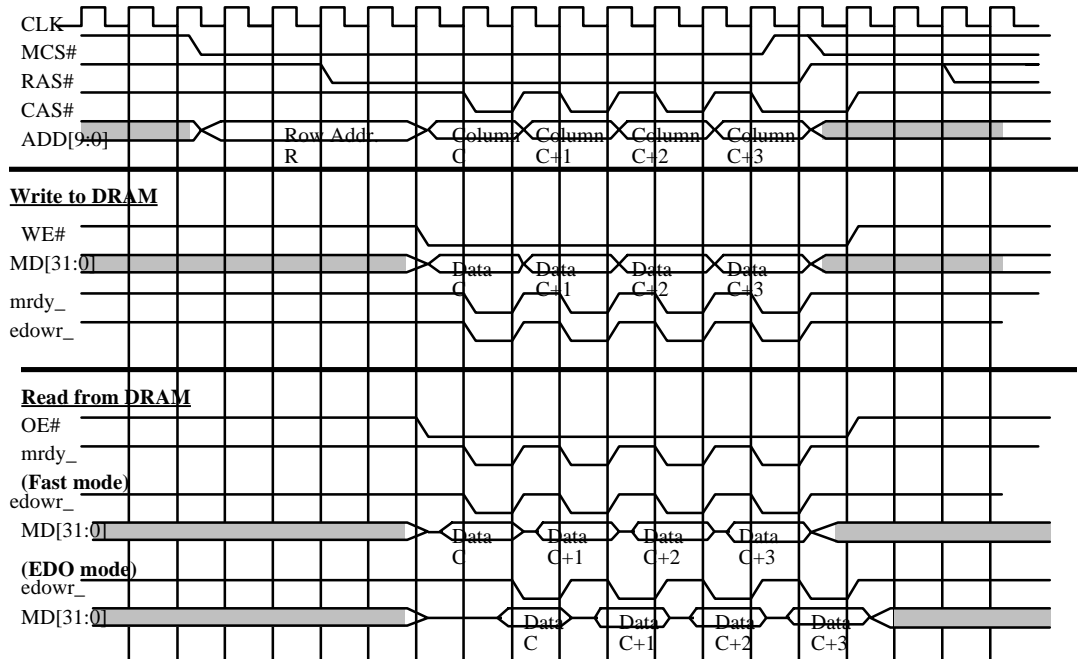
3.6 DRAM Memory Interface

W9960CF provides a 32-bit DRAM data bus for DMA data transfer and VRISC access. It supports the control timing for Fast Page Mode or EDO DRAMs. The DRAM address space has three types of configurations: 1M, 2M, and 4M bytes. For 1M and 2M-byte space, the DRAM devices must be two or four 256Kx16 DRAM devices. For 4M-byte space, it must be two 1Mx16.

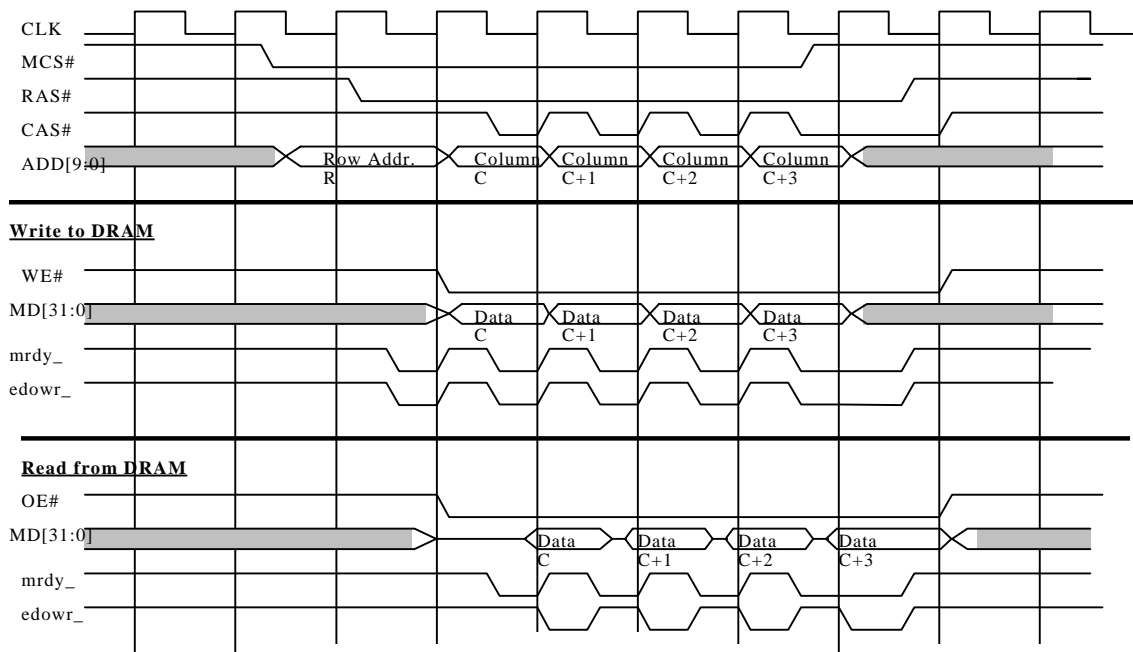


Timing

● **Normal Case**



● **At E6F4 Mode (EDO-60, 40MHz)**



3.7 INTERRUPT/TRIGGER Controller

This controller provides 10 different Interrupts to VRISC and 5 triggering signals for VRISC to trigger engines.

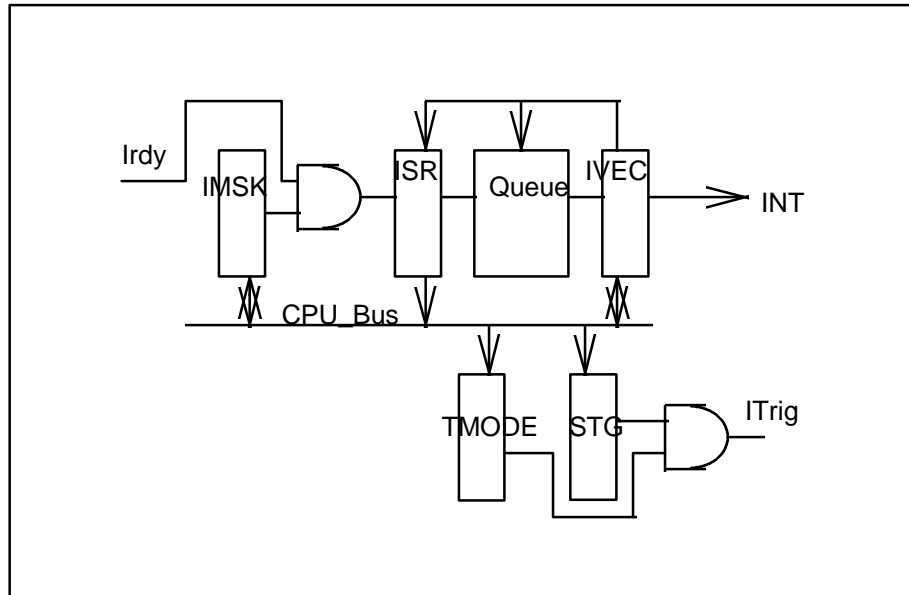
Trigger #0 is used for Video Capture triggering. Trigger #1 is used to start ME motion estimation search. Trigger #2 is used to start FILTER block operation. Trigger #3 is used to trigger IDCT to start decoding inverse discrete cosine transform operation. Trigger #4 is used to trigger DCT to start encoding forward discrete cosine transform.

Interrupt #5 is XDMA Terminal Count Interrupt. Interrupt #6 is the interrupt coming from ISA-like external interface. Interrupt #7 indicates the VLE FIFO full while T-coeff. encoding. Interrupt #8 and #9 are TIMER TR (Temporal Reference) Interrupts for decoding and encoding. Interrupt #10 and #11 are the TIMER time out interrupts. Interrupt #12 is used for host to interrupt VRISC. Interrupt #13 indicates VLD operation is completed after VLD command register is triggered. Interrupt #14 indicates the PIO BCH code is not aligned with frame. Interrupt #15 indicates a Run-Level Block Error in VLD decoding.

All interrupts can be enabled or disabled as specified by the mask bits of the IMSK register. It will response which channel is active on ISR register and generate an INT to VRISC. When VRISC enters an interrupt service routine, it has to read out the IVEC register to have Interrupt Controller assert INTA to clear interrupt status.

Signal	Type	INTG_IN	INTG_OUT	ENGINE	Description
0	TRIG		Capture_Trigger	VideoPre	Video Capture trigger
1	TRIG	MERDY	METG	ME	Trigger Motion Estimation
2	TRIG	FRDY	F_TRIGGER	FILTER	Trigger Filter
3	TRIG	TendINT	TriggerDEC	DCT/IDCT	Trigger IDCT
4	TRIG	RISCINT	TriggerENC	DCT/IDCT	Trigger DCT
5	INTR	int1		XDMA	XDMA TC Interrupt
6	INTR	extint		ISA-Like	ISA External Interrupt
7	INTR	VLE_INT		VLETCO	VLE FIFO Full Interrupt
8	INTR	DTR_INT		TIMER	Temp. Ref. Interrupt (Decoder)
9	INTR	ETR_INT		TIMER	Temp. Ref. Interrupt (Encoder)
10	INTR	TOUT0		TIMER	Timer 0 interrupt
11	INTR	TOUT1		TIMER	Timer 1 interrupt
12	INTR	PCI_INT		HOST	Host interrupt RISC
13	INTR	VLRDY_INT	TG_INTA	PIO	VLD is over
14	INTR	UFRAME_INT	UFRAME_INTA	PIO	Frame Un-lock Interrupt
15	INTR	VLDREQ_INT	VLDREQ_INTA	VLD	VLD Run Level Block Error

Block Diagram



INTG Registers

RISC Address/PCI Offset Address	Name	Read/Write	Description
0019H/0064H	IMSK	R/W	Interrupt Mask Register
001AH/0068H	ISR	R	Interrupt Status Register
001BH/006CH	IVEC	R/W	Interrupt Vector Register
001CH/0070H	TMOD	R/W	Trigger Mode Register
001DH/0074H	STG	W	Software Trigger Register

3.8 X_INTERRUPT Controller (XINTC)

XINTC provides 16 channels interrupt trigger source and generates INTA# to PCI_BUS. Channel #0~#7 are used for XDMA requests. Channel #8~#11 are reserved for VRISC to issue interrupts to host. Channel #12 is for the ISA-like external Interrupt. Channel#13~#14 are the TC interrupts for XDMA and FDMA. Channel#15 is the interrupt from INTC controller. All channels are maskable by XMSK register. Host has to read the XSTS register to identify interrupt source when receiving a W9960CF issued interrupt. Host issues interrupt to VRISC by programming PCI_INT register, which will generate a interrupt trigger pulse for VRISC to enter interrupt service routine.

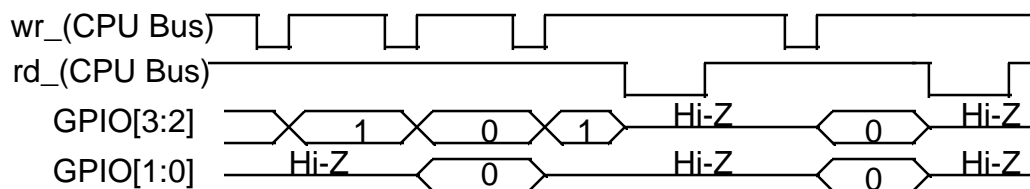
Channel	XINT_IN	Description
0	xdreq0	dreq of XDMAC
1	xdreq1	
2	xdreq2	
3	xdreq3	
4	xdreq4	
5	xdreq5	
6	xdreq6	
7	xdreq7	
8	1	(Reserved for VRISC)
9	1	(Reserved for VRISC)
10	1	(Reserved for VRISC)
11	1	(Reserved for VRISC)
12	extint	ISA External Interrupt
13	int1	tc of XDMAC
14	tc_out	tc of FDMAC
15	int	INT of INTG

XINTC Registers

RISC Address/PCI Offset Address	Name	Read/Write	Description
0006H/0018H	XMSK	R/W	X_Interrupt Mask Register
0007H/001CH	XSTS	R	X_Status Register
	PCI_INT	W	PCI_INT Command

3.9 GPIO (General Purpose Input/Ouput) Port

W9960CF provides 4 pins as a GPIO port. These four pins are programmable to be input or output. GPIO0 and GPIO1 are two open drain IO pads and pull-high resistors are necessary in application circuits. GPIO2 and GPIO3 are tri-state IO pads. GPIO port is used to connect to external devices such as analog video decoder and/or audio coprocessor.



3.10 TIMER

W9960CF provides a programmable pre-scale counter (PSR register) for different Video Clock input and three period registers (TP0~TP2) for period setting of the temporal reference, time counter and DRAM reference. W9960 also provides two TR reference counters for decoding and encoding (DTR and ETR registers). Here is the programming example:

if the video clock (CLK_Video pin) is 13.5MHz, set:

RC2~RC0 to 010b,

P3~P0 to 0011b

TP0= 6DF8h (29.97016frame/sec), 83D5h (25.00 frame/sec),

TP2=000Dh;

If the Video clock is 27MHz, set:

RC2~RC0= 010b,

P3~P0=0100b,

TP0= 6DF8h (29.97016frame/sec), 83D5h (25.00 frame/sec),

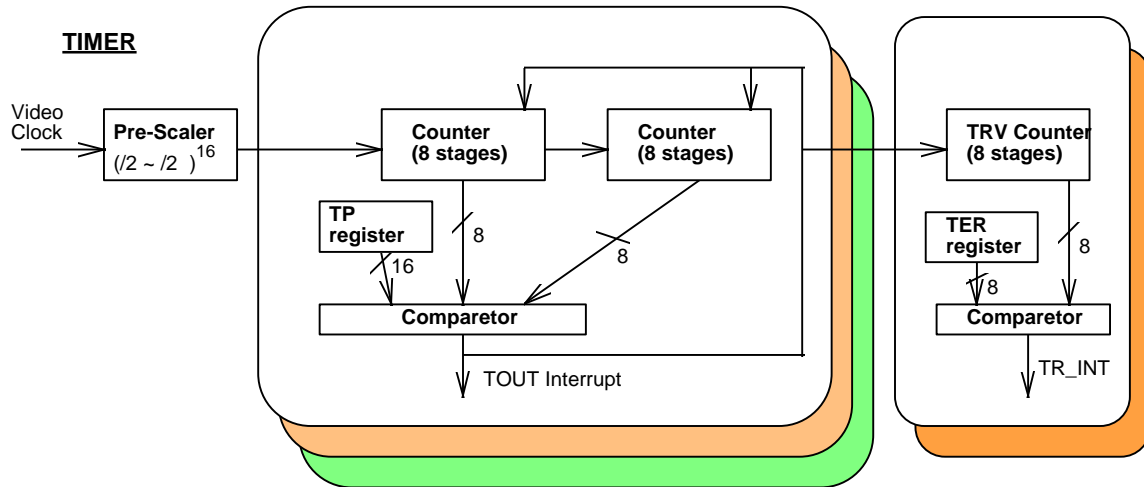
TP2=000Dh.

The frequency calculation statement is as:

$$\text{Fre.} = \text{VCLK} / ((2^{*(N+1)}) * (\text{TP}+1))$$

where VCLK is input frequency of CLK_Video pin, N is the value of RC[2:0], and TP is the period setting of TP0, TP1, or TP2.

Block Diagram



TIMER Registers

RISC Address / PCI Offset Address	Name	Read/Write	
010H / 040H	PSR	R/W	Pre-Scale Register
011H / 044H	TR0	R	Timer Register #0
012H / 048H	TR1	R	Timer Register #1
013H / 04CH	DTR	R/W	Temporal Reference of Decode Register
014H / 050H	TP0	R/W	Timer Period Register #0
015H / 054H	TP1	R/W	Timer Period Register #1
016H / 058H	TP2	R/W	Timer Period Register #2
017H / 05CH	ETR	R/W	Temporal Reference of Encode Register

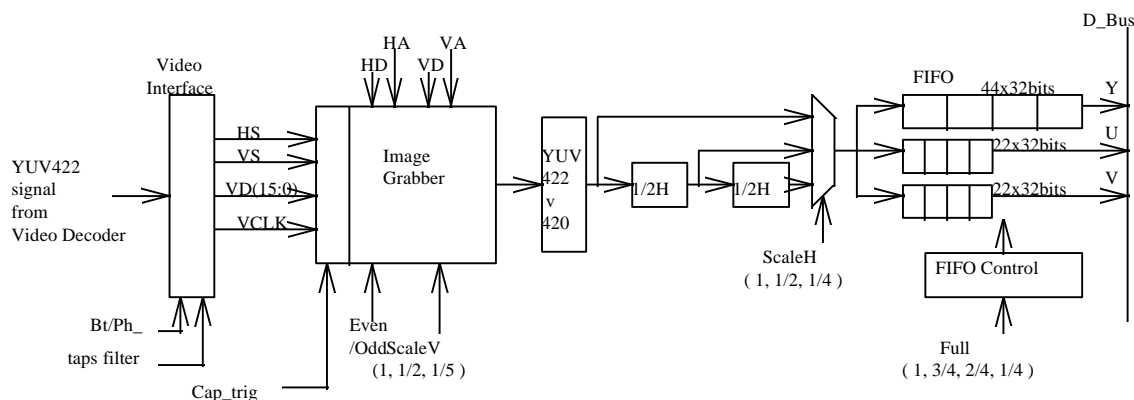
3.11 Video Pre/Post Processing Engine

The functions of Video Preprocessing engine are capturing, cropping, zooming video in 4CIF, CIF, QCIF, Sub-QCIF resolution. Actually, user can command this engine to capture image of any size within 704 x 576(PAL) or 704x480(NTSC). Video Preprocessing Engine also provides two programmable decimation horizontal filters for luminance data and chrominance data to smooth the captured image.

Video Postprocessing Engine supports both RGB 5:6:5 and YUV 4:2:2 for both local and remote video output. RGB format is for normal VGA card without color space conversion. YUV format is for those video cards with color space conversion and scaling support.

3.11.1 VIDEO PREPROCESSOR (VPRE)

The Video PreProcessor (VPRE) transfers the captured video data to frame buffer DRAM through horizontal filters, horizontal subsampler and FIFO for DMA data transfer. The size of the Y FIFO is 44x4 bytes. U FIFO and V FIFO is 22x4 bytes each. The block diagram is shown below:



Video PreProcess Diagram

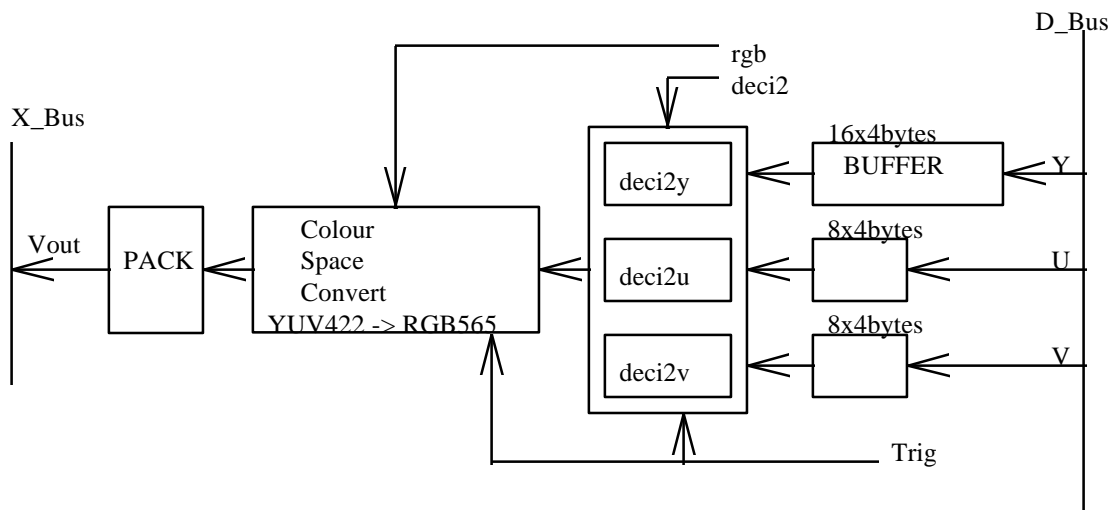
The following is the register parameters used to configure for different formats:

NTSC/ PAL	HA	VA	E	O	Scale H	Scale V	1/5 O	Picture Size (H x V)		Format	Description
NTSC	704	240	on	on	1	1	off	704	480	4CIF	
	704	240	on	on	1/2	1	on	352	288	CIF	4CIF ZO to CIF
	352	240	on	on	1	1	on	352	288	CIF	CIF ZI fr 4CIF ,P
	352	144	on	off	1/2	1	off	176	144	QCIF	QCIF ZI fr 4CIF, P
	704	240	on	on	1/4	1/2	on	176	144	QCIF	4CIF ZO to QCIF
PAL	704	288	on	on	1	1	off	704	576	4CIF	

	704	288	on	off	1/2	1	off	352	288	CIF	
	352	288	on	on	1	1/2	off	352	288	CIF	
	352	144	on	off	1/2	1	off	176	144	QCIF	
	704	288	on	off	1/4	1/2	off	176	144	QCIF	

3.11.2 VIDEO PostPROCESSOR (VPOST)

VPOST provides an option of 1/2 scaling-down for both local and remote picture. It also supports color space conversion for either YUV422 or RGB565 video output. VPOST provides FIFO for DMA data transfer. The size of Y FIFO is 16x4bytes. U FIFO and V FIFO is 8x4 bytes each.



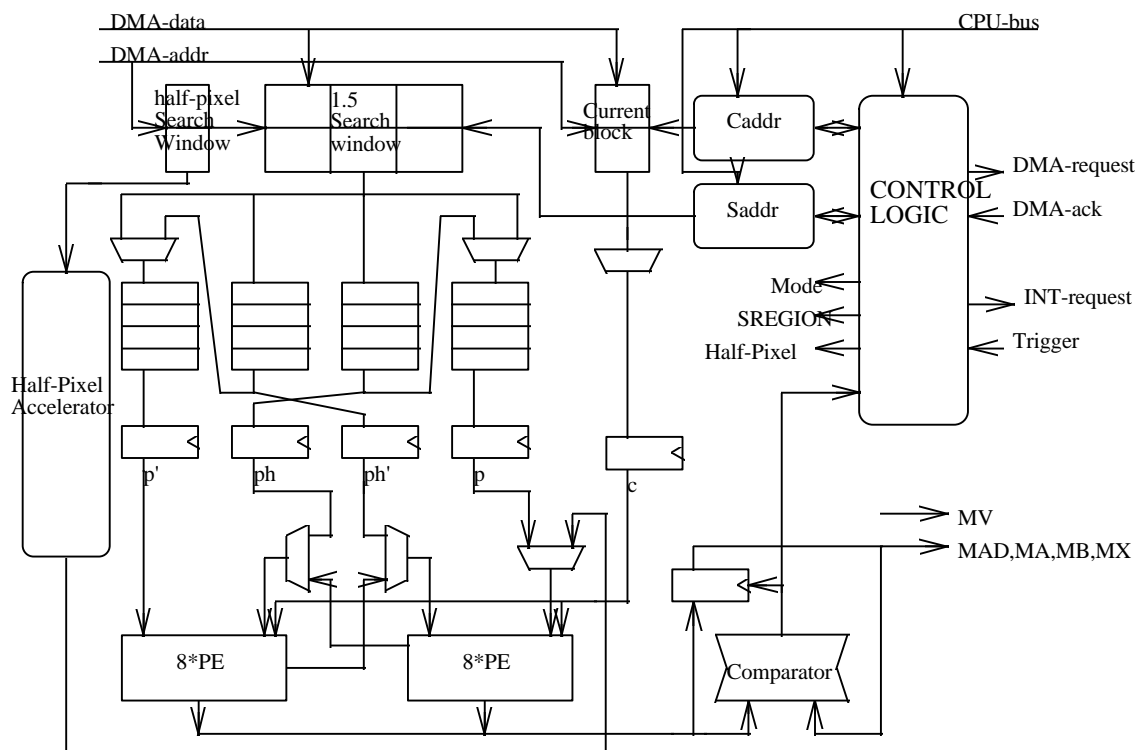
Video PostProcessor Diagram

VIDEO Register

RISC Address/PCI Offset Address	Name	Read/Write	Description
01A0H/0680H	VPRE Mode	R/W	Video Preprocessing operation mode
01A1H/0684H	HDelay	R/W	Horizontal delay pixel number
01A2H/0688H	VDelay	R/W	Vertical delay line number
01A3H/068CH	HA	R/W	Horizontal active pixel number
01A4H/0690H	VA	R/W	Vertical active line number
015AH/0694H	LFP	R/W	Luminance filter parameters, Tap1 and Tap2
01A6H/0698H	CFP	R/W	Chrominance filter parameters, Tap1 and Tap2. Luminance decimation filter parameter Tap3.
01A7H/069CH	VPOST Mode	R/W	VideoPostprocessor operation mode

3.12 Motion Estimation Engine

W9960CF motion estimation (ME) engine implements full search matching algorithm (FSA), which is widely used thanks to its simplicity and regularity. In this algorithm, for each reference block in the current frame, the previous frame is searched within a neighborhood, i.e. search window, to find the most matched pixel block.



ME Registers

RISC Address/PCI Offset Address	Name	Read/Write	Description
0190H / 0640H	MEMODE	R/W	Mode Register
0191H / 0644H	MVR	R/W	Motion Vector Register
0192H / 0648H	MADR	R/W	Mean Absolute Difference Register
0193H / 064CH	MBR	R/W	Mean Current Macro Block Register
0194H / 0650H	MAR	R/W	Mean Average Difference Register
0195H / 0654H	MXR	R/W	Mean First Search Register
0196H / 0658H	SRGION	R/W	Search Region Register

3.13 FILTER Engine

Filter Engine implements the loop filter function of H.261. It is a two-dimensional spatial filter as shown below. The Filter Engine also performs the interpolation function of half pixel prediction and PB frame prediction in H.263.

H.261 8x8 predicted Block with 1-2-1 Filter

0	1	2	3	4	5	6	7
8	9	10	11	12	13	14	15
16	17	18	19	20	21	22	23
24	25	26	27	28	29	30	31
32	33	34	35	36	37	38	39
40	41	42	43	44	45	46	47
48	49	50	51	52	53	54	55
56	57	58	59	60	61	62	63

(1) $\frac{1}{16} \begin{vmatrix} 1 & 2 & 1 \\ 2 & 4 & 2 \\ 1 & 2 & 1 \end{vmatrix}$ for pixels inside the block

(2) $\frac{1}{16} | 4 \ 8 \ 4 |$ for pixels on the block edge

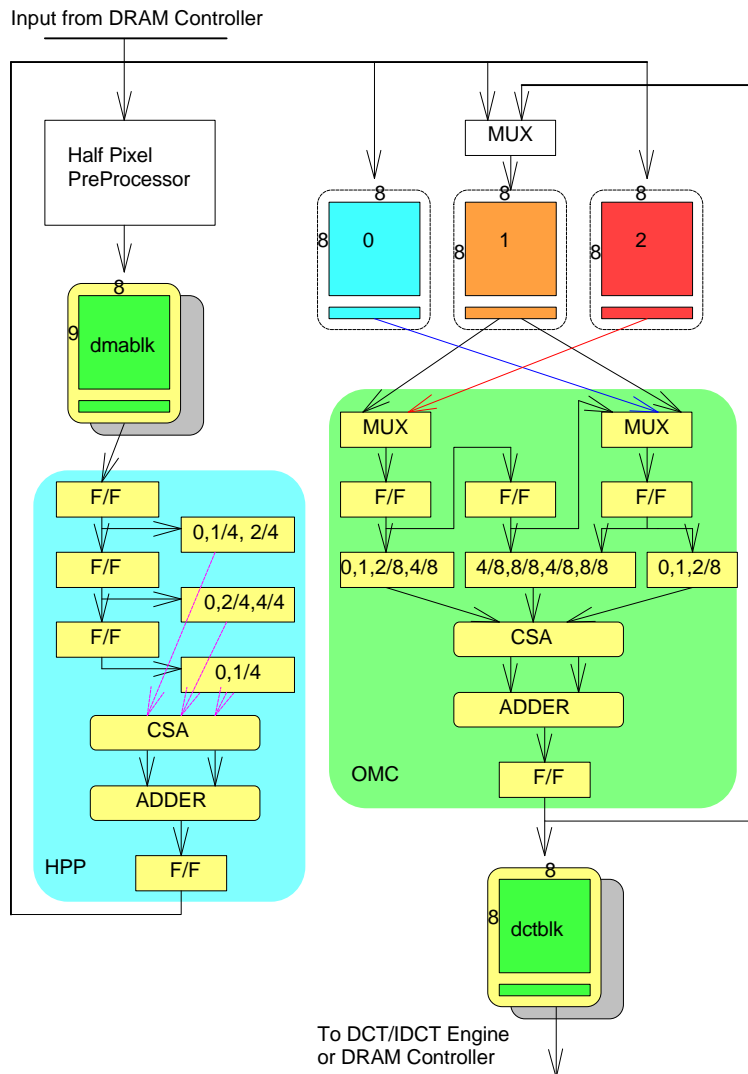
(3) $\frac{1}{16} | 16 |$ for pixels on the block corner positions

H.261 1-2-1 Filter Table

1	121	121	121	121	121	121	1
1	121	121	121	121	121	121	1
2	242	242	242	242	242	242	2
1	121	121	121	121	121	121	1
1	121	121	121	121	121	121	1
2	242	242	242	242	242	242	2
1	121	121	121	121	121	121	1
1	121	121	121	121	121	121	1
2	242	242	242	242	242	242	2
1	121	121	121	121	121	121	1
1	121	121	121	121	121	121	1
2	242	242	242	242	242	242	2
1	121	121	121	121	121	121	1
1	121	121	121	121	121	121	1
2	242	242	242	242	242	242	2
1	121	121	121	121	121	121	1
1	121	121	121	121	121	121	1
2	242	242	242	242	242	242	2
1	121	121	121	121	121	121	1
1	121	121	121	121	121	121	1

Block Diagram

The prediction picture is transferred into Filter Engine by DMA operation. Half Pixel PreProcessor module performs the half pixel interpolation in x-axial direction. HPP module performs the half pixel interpolation in y-axial direction. OMC module performs PB frame prediction. The control flow is specified in FCR0 (Filter Control Register #0) and BRR (Bi-direction Range Register) registers.



Filter Registers

RISC Address / PCI Offset Address	Name	Read/Write	
018CH / 0630H	FCR0	R/W	Filter Control Register #0
018DH / 0634H	FCR1	R/W	Filter Control Register #1
018EH / 0638H	BRR	R/W	Bi-direction Range Register

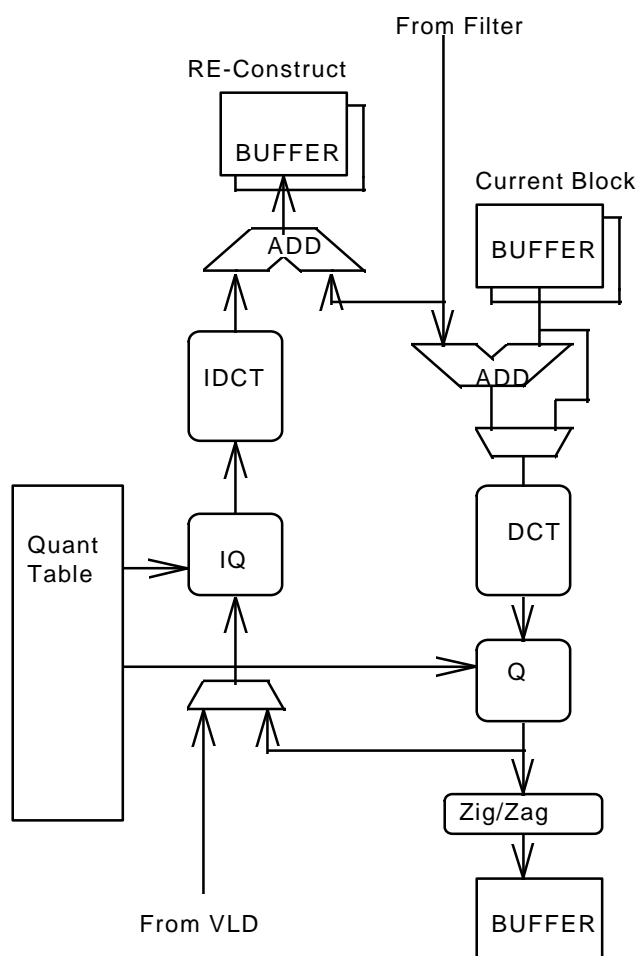
3.14 FIDCT/Q/IQ Engine

W9960CF contains Forward/Inverse Discrete Cosine Transform Engine (FIDCT) and Quantization /Inverse Quantization Engine, which are frequently used in video compression/decompression.

For video encoding, DCT is used to reduce spatial redundancy of images. The quantization logic further filters most AC values and keeps the DC value.

In video decoding, each 8x8 block is transformed back by Inverse Quantization. This IQ process induces quantization error in AC values compared with original data, but the DC value is recovered losslessly. Thereafter, data is sent to Inverse Discrete Cosine Transform stage to do image recovery process. In the INTRA mode, the result is final reconstructed image. While in the INTER mode, the result has to be added with the previous block data to reconstruct the image.

Block Diagram



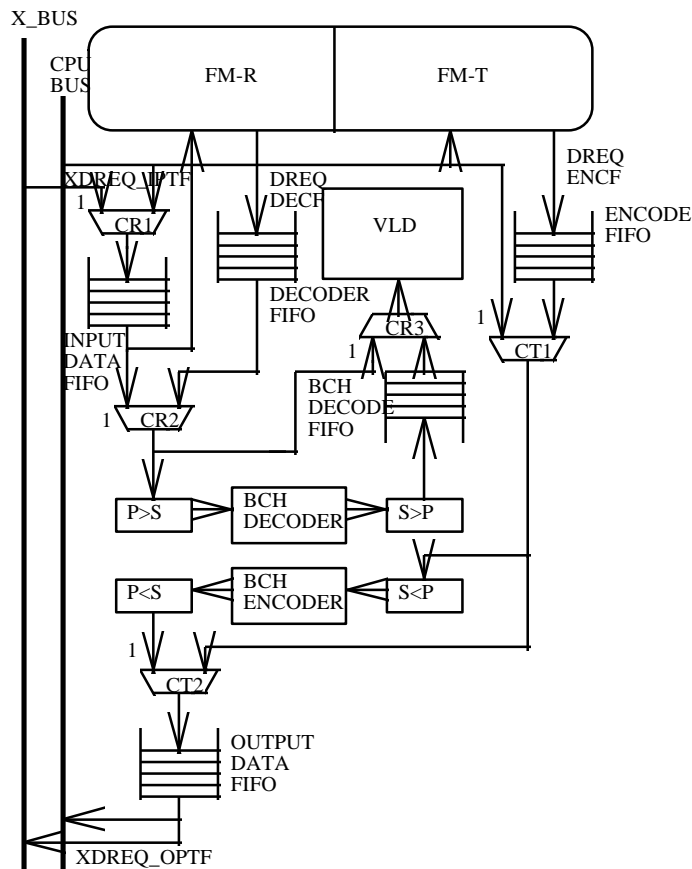
DCT/IDCT Register

RISC address/PCI Offset Address	Name	Read/Write	Description
0180H/0600H	Q_Control	R/W	Quantization value selection
0182H/0608H	CBP_threshold	R/W	CBP threshold value
0183H/060CH	CheckSum	R/W	DCT result checksum
0184H/0610H	EQuant_value	R/W	Encoding loop Quant value
0185H/0614H	DQuant_value	R/W	Decoding loop Quant value
0186H/0618H	EBD_Quant_value	R/W	Encoding loop BQ/DQ value
0187H/061CH	DBD_Quant_value	R/W	Decoding loop BQ/DQ value
0188H/0620H	CODEC	R/W	Intra/inter mode, coding/decoding

3.15 Programmable Input/Output Engine

Programmable input/output (PIO) engine can control the input bit stream data from X_bus or CPU_data_bus to the variable length decoder (VLD). PIO plays the role of interface between the frame memory (FM) and X_bus during bitstream receiving for decoding and bitstream transmission after encoding.

Block Diagram



PIO Registers

RISC Address/PCI Offset Address	Name	Read/Write	Description
01A8H / 06A0H	CDFIFO_H	R/W	Compressed Data FIFO High Word Register
01A9H / 06A4H	CDFIFO_L	R/W	Compressed Data FIFO Low Word Register
01AAH / 06A8H	PIOCTL	R/W	PIO Control Register
01ABH / 06ACH	XDMAR	R/W	X_Bus DMA Request Enable Register
01ACH / 06B0H	FDMAR	R/W	Frame Memory DMA Request Enable Register
01ADH / 06B4H	FC	R/W	Frame Code Register
01AEH / 06B8H	LPD	R/W	Lock Position Detect Register
01AFH / 06BCH	IOFSR	R/W	Input/Output FIFO Status Register

3.16 Variable Length Code Decoder

The Variable Length (VL) Engine uses the code books or lookup tables to map the Huffman code words. Huffman coding is a kind of entropy coding method used in H26X. Image or video data size can be reduced significantly when proper Huffman tables are used. Not only the variable length codes but also the fixed length codes can be decoded in this engine. Bit streams coming from the programmable in/out port (PIO) are fed into VL engine during decoding process.

VLD Register

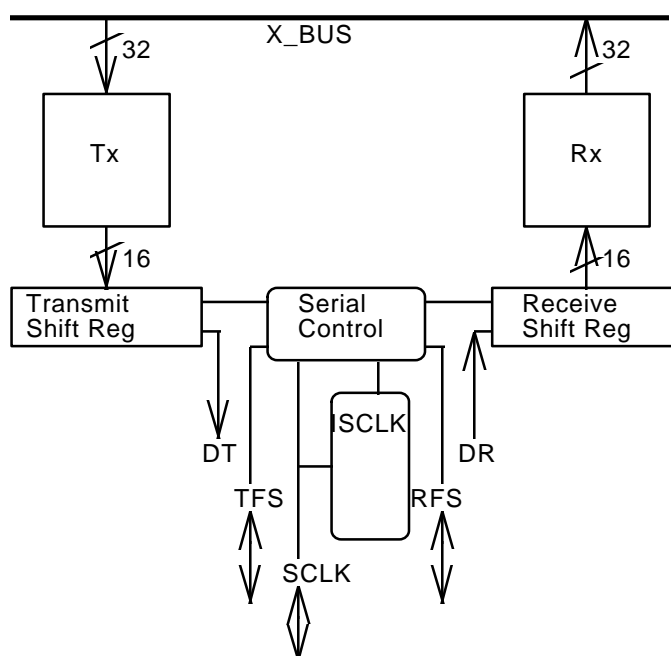
RISC Address / PCI Offset Address	Name	Read/Write	Description
01B8H / 06E0H	MCR_L	R/W	Match Code Low Word Register
01B9H / 06E4H	MCR_H	R/W	Match Code High Word Register
01BAH / 06E8H	MSR	R/W	Match Size Register
01BBH / 06ECH	VLCMD	R/W	VL Command Register
01BCH / 06F0H	VLRES	R	VL Result Register
01BDH / 06F4H	VLRES_LW	R	VL Result Low Word Register

RISC Address / PCI Offset Address	Name	Read/Write	Description
01C0H / 0700H	VLDTC0	R/W	VLD TCoefficient Register 0
.....
01FFH / 07FCH	VLDTC63	R/W	VLD Tcoefficient Register 63

3.17 Audio Coprocessor Interface

W9960CF provides an ADSP-21xx SPORT compatible serial port to interface to audio coprocessors. Multi-channel mode in AD SPORT0 is provided for interfacing with other chips time-division multiplexing (TDM) function. Transmitter FIFO and Receiver FIFO are used since serial one-bit bit stream is packed into 32-bit word, and no CPU instructions to access Tx or Rx registers. This T/R FIFO should access with frame memory via 32-bit X_bus. No compounding function is provided with, since no management for u-law or A-law data format.

Block Diagram



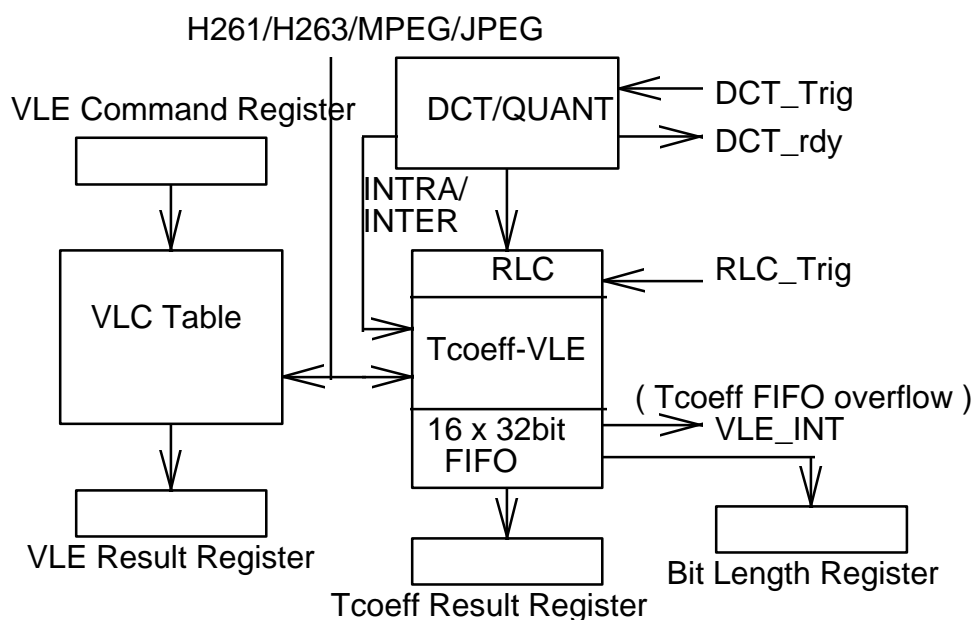
AUDIO PORT Register

RISC Address / PCI Offset Address	Name	Read/Write	Description
0198H / 0660H	ACTL	R/W	Audio Port Control Register
0199H / 0664H	SCLKDIV	R/W	Serial Clock Divisor Register
019AH / 0668H	RFSDIV	R/W	Receive Frame Sync Divisor Register
019BH / 066CH	RWE_L	R/W	Receive Word Enables for Low Word Register
019CH / 0670H	RWE_H	R/W	Receive Word Enables for High Word Register
019DH / 0674H	TWE_L	R/W	Transmit Word Enables for Low Word Register
019EH / 0678H	TWE_H	R/W	Transmit Word Enables for High Word Register
019FH / 067CH	TRBDR	R	Transmit/Receive Buffer Detect Register

3.18 Variable Length Code Encoding (VLE) Engine

There are two modules in VLE Engine, one is for Tcoeff (Transform coefficient) encoding and the other is for variable length encoding. The Tcoeff is based on the run level pair generated from the result of DCT/Quantization and pushed into the 16x32-bit Tcoeff_FIFO. When DCT/Q is completed, VRISC shall check some conditions such as checksum register and determine whether to trigger RLC (Run Level Code) to generate transform coefficient. When all blocks is encoded into Tcoeff_FIFO, VRISC shall read Bit Length Register to check how many bits are generated (overflow condition if Bit Length Register is over 512, busy condition if Bit Length Register is Zero). Then VRISC read out the Tcoeff value from Tcoeff Result Register. VLE_INT will assert when the coding bit length is over the threshold of Tcoeff_FIFO. VRISC can also write a command including data and table-indicator into Command Register to generate variable length code (except Tcoeff).

Block Diagram



VLE Register

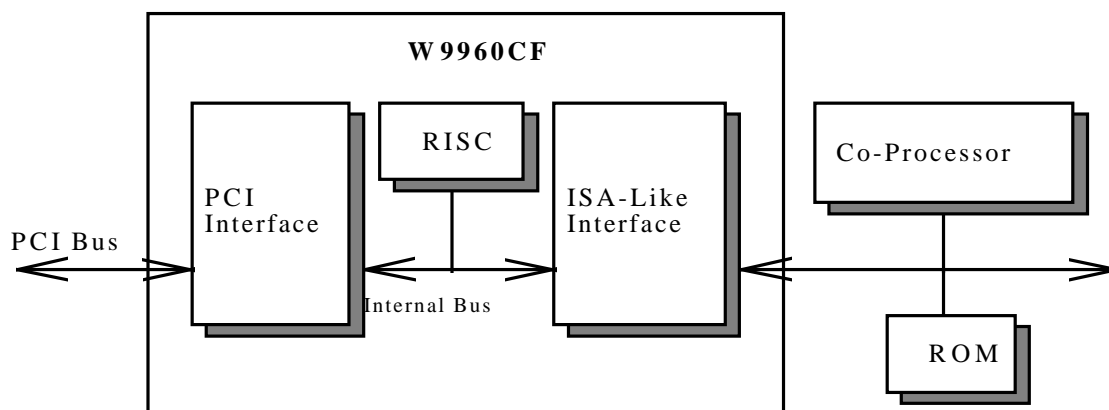
RISC Address/PCI Offset Address	Name	Read/Write	Description
01B4H / 06D0H	BLR	R	Bit Length Register
01B5H / 06D4H	TRR	R	Tcoeff Result Register
01B6H / 06D8H	VRR	R	VLE Result Register
01B7H / 06DCH	VCR	W	VLE Command Register

3.19 ISA-like Interface

The ISA-like Interface implements a parallel I/O port to connect to co-processors, and a Boot-ROM mechanism to download VRISC firmware automatically.

This ISA-like parallel I/O port provides an 8-bit data bus and 16-bit address bus to connect to co-processor easily. The host can access the connected co-processor through W9960CF PCI interface and this ISA-like interface. In this sense, W9960CF acts as a PCI to ISA bridge. It also provides two external interrupt requests of level or edge trigger.

This ISA-like Interface provides another path to download VRISC firmware in addition to the PCI-bus interface. In Boot-ROM mode, the ISA-like interface will issue Boot-ROM access cycle to download firmware after W9960CF is reset.

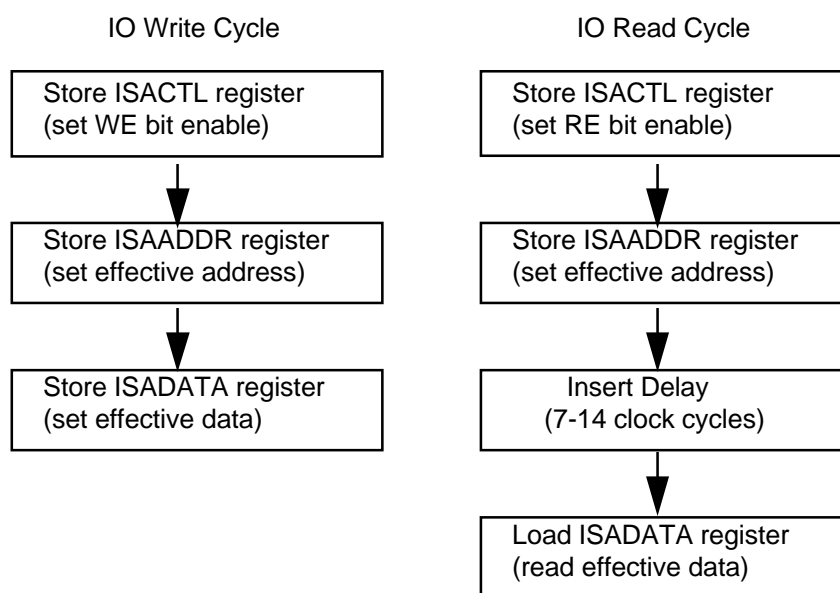


ISA-Like Interface Resigisters

RISC Address/PCI Offset Address	Name	Read/Write	Description
020H/080H	ISACTL	R/W	Setting ISA control operation register
021H/084H	SAADDR	R/W	Setting ISA output address register
022H/088H	SADATA	R/W	ISA input/output data register
023H/08CH	ISAINT	R/W	External interrupt control/status register

Programming Sequence

W9960CF assert I/O read/write cycles on ISA-like interface accroding to the following programming sequence.



4. W9960CF REGISTERS

4.1 PCI Configuration Registers

Address \ Bit	31	24	23	16	15	8	7	0
00H	Device ID				Vendor ID			
04H	Status				Command			
08H	Class Code						Revision ID	
0CH	Reserved		Header Type		Latency Timer		Reserved	
10H	Base Address Register 0 (BAR0)							
14H	Base Address Register 1 (BAR1)							
18H - 38H	Reserved							
3CH	Reserved		Reserved		Interrupt Pin		Interrupt Line	

Device/Vendor ID Register

Read-only PCI Configuration Address: 00H

Default: 9960 1050H

31	30	29	28	27	26	25	24	23	22	21	20	19	18	17	16
Device ID															

15	14	13	12	11	10	9	8	7	6	5	4	3	2	1	0
Vendor ID															

Bits 31-16 Device ID

Device ID allocated for the W9960 is 9960H.

Bits 15-0 Vendor ID

Vendor ID is allocated by the PCI SIG to ensure uniqueness. The value assigned to Winbond Electronic Corp. is 1050H.

Status/Command Register

Read/Write PCI Configuration Address: 04H

Default: 0280 0000H

31	30	29	28	27	26	25	24	23	22	21	20	19	18	17	16
DPE	SSE	RMA	RTA	STA	DEVSEL	MDP	FBC	Reserved							CLK

15	14	13	12	11	10	9	8	7	6	5	4	3	2	1	0
Reserved						FBE	SEE	-	PEE	Reserved			BME	MSE	-

Bit 31 DPE (this bit will be clear to 0 , if the write data in the corresponding bit location is a 1)
 Detected Parity Error
 1 = Parity Error
 0 = Parity Correct

Bit 30 SSE (this bit will be clear to 0 , if the write data in the corresponding bit location is a 1)
 Signaled System Error
 1 = System Error
 0 = System Correct

Bit 29 RMA (this bit will be clear to 0 , if the write data in the corresponding bit location is a 1)
 Received Master Abort
 1 = Master Abort On
 0 = Off

Bit 28 RTA (this bit will be clear to 0 , if the write data in the corresponding bit location is a 1)
 Received Target Abort
 1 = Target Abort On
 0 = Off

Bit 27 STA (this bit will be clear to 0 , if the write data in the corresponding bit location is a 1)
 Signaled Target Abort
 1 = Target Abort On
 0 = Off

Bits 26-25 DEVSEL Timing (Read only)

01 = Medium DEVSEL# timing

Bit 24 MDP (this bit will be clear to 0 , if the write data in the corresponding bit location is a 1)

Master Data Parity Error Detected

1 = Detect Parity Error

0 = Parity Correct

Bit 23 FBC

Fast Back-to-Back Capable (Read only)

1 = Support Fast Back-to-Back Capable

Bits 22-17 Reserved

Bit 16 CLK

PCI CLK Support (Read only)

0 = 33Mhz

Bits 15-10 Reserved

Bit 9 FBE

Fast Back-to-Back Enable

1 = Enable

0 = Disable

Bit 8 SERR# Enable

1 = Enable

0 = Disable

Bit 7 Reserved

Bit 6 PEE

Parity Error Response Enable

1 = Enable

0 = Disable

Bits 5-3 Reserved

Bit 2 BME : Bus Master Enable

1 = Enable

0 = Disable

Bit 1 MSE

Memory Space Enable

1 = Enable the device response to memory space accesses

0 = Disable the device response to memory space accesses

Bit 0 Reserved

Class Code/Revision ID Register

Read-only PCI Configuration Address: 08H

Default: 0400 0000H

31	30	29	28	27	26	25	24	23	22	21	20	19	18	17	16
Base Class Code								Sub-Class Code							

15	14	13	12	11	10	9	8	7	6	5	4	3	2	1	0
Programming Interface								Revision ID							

Bits 31-24 Base Class Code

Bits 23-16 Sub-Class Code

Bits 15-8 Programming Interface

Bits 7-0 Revision ID

Bits 31-8 are hardwired to 040000H to specify that the W9960 is a multimedia device.

Header Type / Latency Timer Register

Read-Write PCI Configuration Address: 0CH

Default: 0000 FF00H

31	30	29	28	27	26	25	24	23	22	21	20	19	18	17	16
Reserved								Header Type							

15	14	13	12	11	10	9	8	7	6	5	4	3	2	1	0
Latency Timer								Reserved							

Bits 31-24 Reserved

Bits 23-16 Header Type (Read only)

00H = Type 00H

Bits 15-8 Latency Timer for Master

the low-order 3 bits are read only, high-order 5 bits are read-writable

Bits 7-0 Reserved

Base Address 0 Register

Read/Write PCI Configuration Address: 10H

Default: 0000 0000H

31	30	29	28	27	26	25	24	23	22	21	20	19	18	17	16
Base Address 0															

15	14	13	12	11	10	9	8	7	6	5	4	3	2	1	0
Base Address 0															

Bits 31-0 Base Address 0

This field can be used to relocate memory address space to any location that is aligned to 4 Kbytes for mapping W9960 Engine Registers and Data Memory.

The low-order 12bits are read only and hardwired to 000H, the high-order 20bits are read-writable.

Base Address 1 Register

Read/Write PCI Configuration Address: 14H

Default: 0000 0000H

31	30	29	28	27	26	25	24	23	22	21	20	19	18	17	16
Base Address 1															

15	14	13	12	11	10	9	8	7	6	5	4	3	2	1	0
----	----	----	----	----	----	---	---	---	---	---	---	---	---	---	---

Base Address 1

Bits 31-0 Base Address 1

This field can be used to relocate memory address space to any location that is aligned to 4 Mbytes for mapping W9960 DRAM Frame Memory. The low-order 22bits are read only and hardwired to 0_0000H, the high-order 10bits are read-writable.

Interrupt Line Register

Read/Write PCI Configuration Address: 3CH

Default: 00H

7	6	5	4	3	2	1	0
Interrupt Line							

Bits 7-0 Interrupt Line

This 8-bit register is used to communicate interrupt line routing information. POST software will write the routing information into this register as it initializes and configures the system.

Interrupt Pin Register

Read-only PCI Configuration Address: 3DH

Default: 01H

7	6	5	4	3	2	1	0
Interrupt Pin							

Bits 7-0 Interrupt Line (hardwired to 01H)

This register is hardwired to 1 to specify that INTA# is the interrupt pin used.

5. ELECTRICAL SPECIFICATIONS

5.1 Absolute Maximum Ratings

Ambient temperature	0° C to 70° C
Storage temperature	-40° C to 125° C
DC supply voltage	-0.5V to 5V
I/O pin voltage with respect to V _{SS}	-0.5V to V _{DD} +0.5V

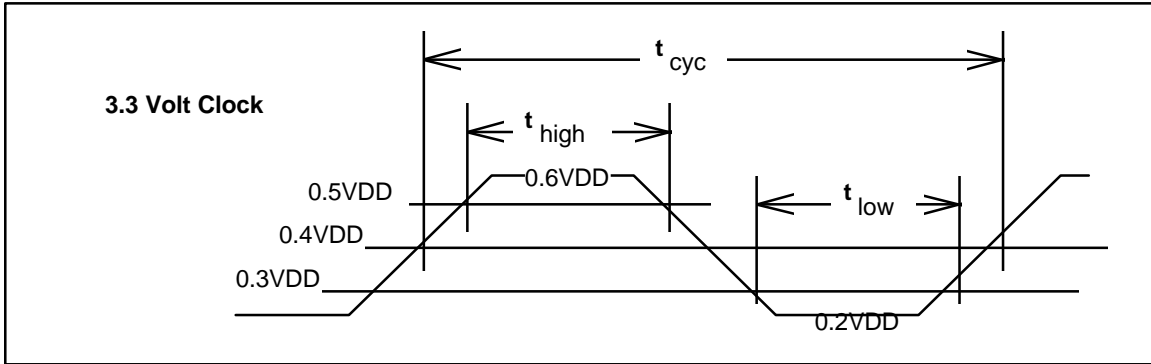
5.2 DC Specifications

(V_{DD} = 3.0V to 3.6V, V_{SS} = 0V, V_{DD5V} = 5V, TA=0° C to 70° C)

Symbol	Parameter	Min	Typ	Max	Unit	Conditions
V _{IL}	Input Low Voltage			0.8	V	
V _{IH}	Input High Voltage	2.0			V	
V _{OL}	Output Low Voltage			V _{SS} +0.4	V	I _{OL} =10mA
V _{OH}	Output High Voltage	2.4			V	I _{OH} =6mA
I _{IL}	Input Low Current		±10		μA	
I _{IH}	Input High Current		±10		μA	
I _{OZ}	Output Tri-state Current		±10		μA	
C _{IN}	Input Capacitance			10	pF	
C _{OUT}	Output Capacitance			50	pF	
I _{CC}	Power Supply Current		400		mA	

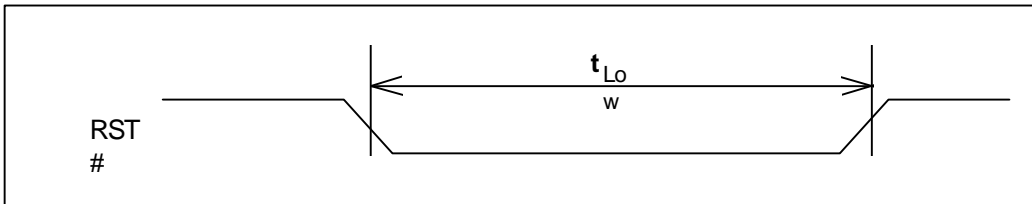
5.3 AC Specifications

5.3.1 CLOCK SPECIFICATION



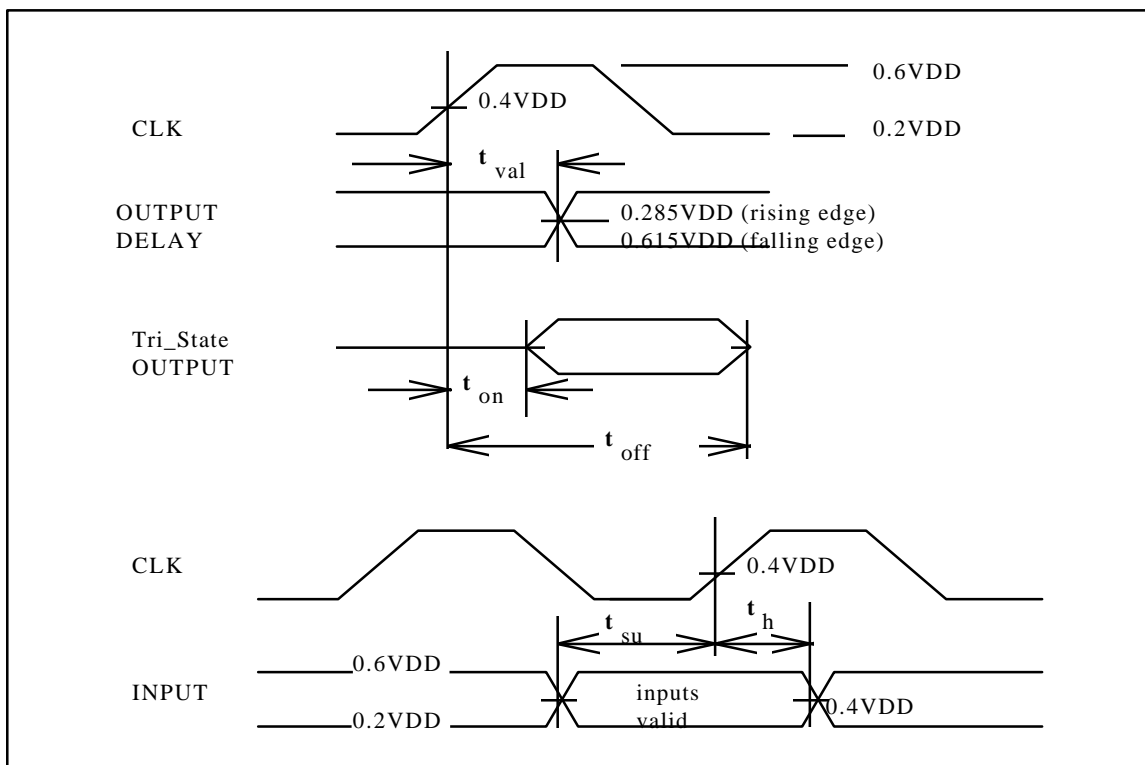
Symbol	Parameter	Min	Max	Units
t_{cyc}	CLK Cycle Time	30	∞	ns
t_{high}	CLK High Time	11		ns
t_{low}	CLK Low Time	11		ns
	CLK Slew Rate	1	4	V/ns

5.3.2 RESET TIMING



Symbol	Parameter	Min	Max	Unit
t_{Low}	System reset active pulse width	$10 t_{cyc}$		ns

5.3.3 PCI INTERFACE AC TIMING



Symbol	Parameter	Min	Max	Units	Notes
t_{val}	CLK to Signal Valid Delay - bused signals	2	11	ns	1
$t_{val}(ptp)$	CLK to Signal Valid Delay - point to point	2	12	ns	2
t_{on}	Float to Active Delay	2		ns	1,4
t_{off}	Active to Float Delay		28	ns	1,4
t_{su}	Input Set Up Time to CLK - bused signals	7		ns	1,3
$t_{su}(ptp)$	Input Set Up Time to CLK - point to point	10		ns	2
t_h	Input Hold Time from CLK	0		ns	1,2,3

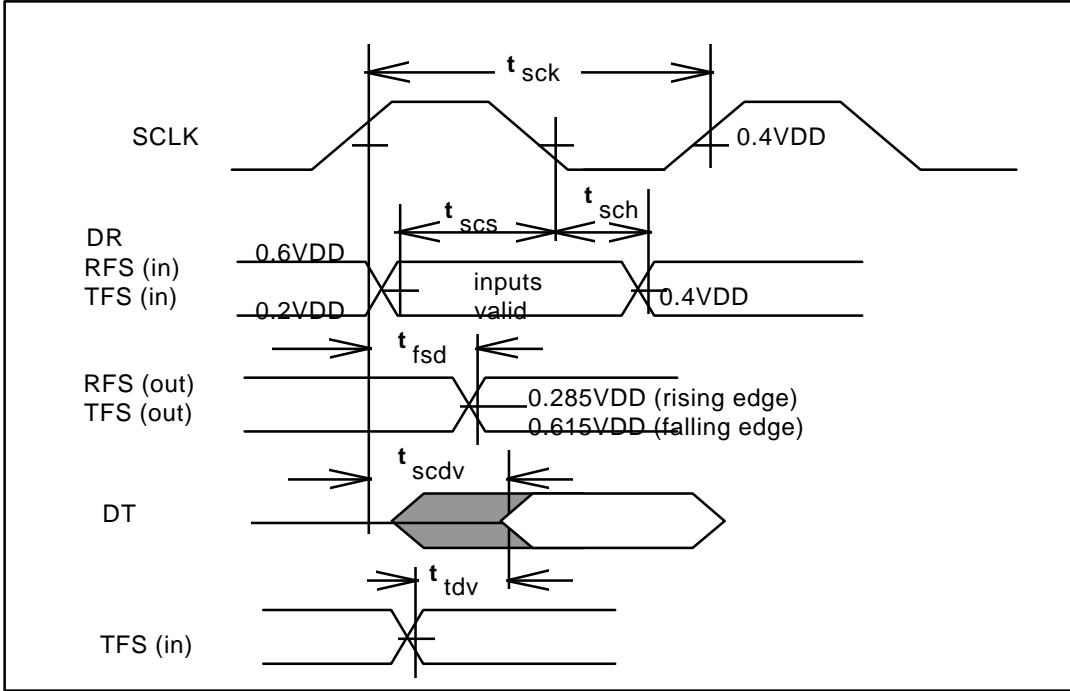
Note 1: bused signals : AD31-AD0, C/BE3-C/BE0, PAR, FRAME#, TRDY#, IRDY#, STOP#, DEVSEL#, PERR#,

Note 2: point to point signals : REQ# is output signal, GNT# is input signal

Note 3: Input Signal : IDSEL

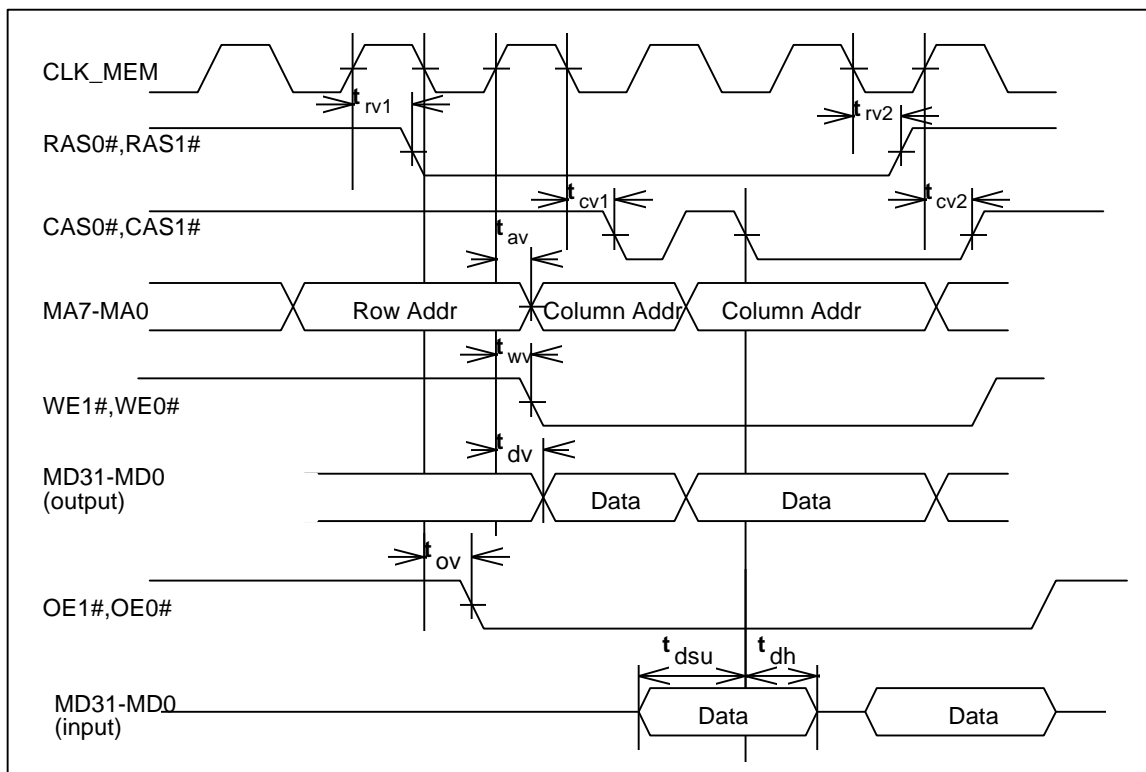
Note 4 : Output Signal : INTA#, SERR#

5.3.4 AUDIO INTERFACE AC TIMING



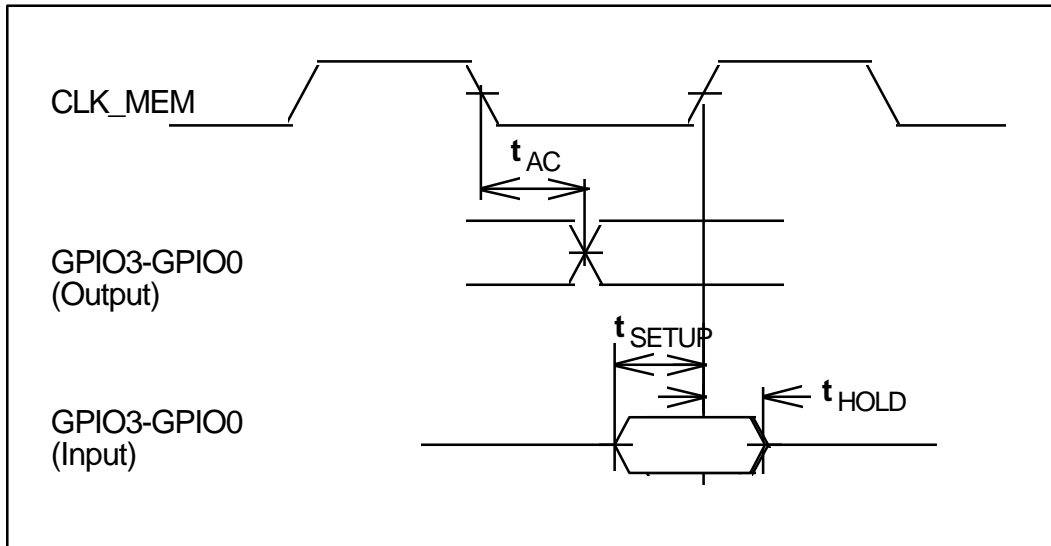
Symbol	Parameter	Min	Max	Unit
t_{sck}	SCLK Period	100	-	ns
t_{scs}	DR/TFS/RFS Setup Time Ref. to SCLK falling	10	-	ns
t_{sch}	DR/TFS/RFS Hold Time Ref. to SCLK falling	10	-	ns
t_{fsd}	TFS/RFS Valid Delay from SCLK rising	-	25	ns
t_{scdv}	DT Valid Delay from SCLK rising	-	25	ns
t_{tdv}	DT Valid Delay from TFS (Alternate Frame Mode)	-	20	ns

5.3.5 DRAM INTERFACE AC TIMING



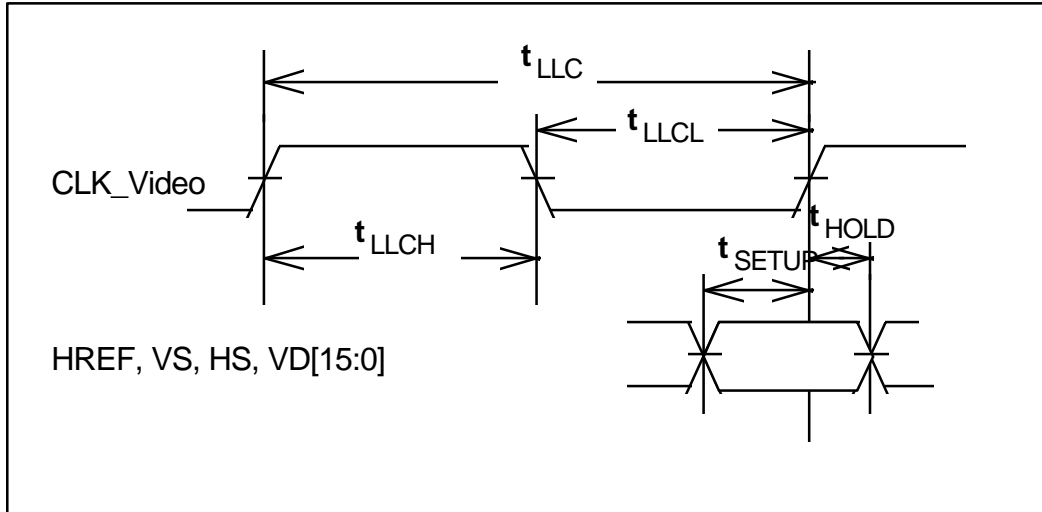
Symbol	Parameter	Min	Max	Unit
t_{rv1}	RAS# valid delay ref. to CLK_MEM rising		14	ns
t_{rv2}	RAS# valid delay ref. to CLK_MEM falling		14	ns
t_{cv1}	CAS# valid delay ref. to CLK_MEM falling		12	ns
t_{cv2}	CAS# valid delay ref. to CLK_MEM rising		16	ns
t_{av}	Memory address valid delay		20	ns
t_{wv}	Memory WE# valid delay		14	ns
t_{dv}	Memory Data valid delay		20	ns
t_{ov}	Memory OE# valid delay		12	ns
t_{dsu}	Memory Data setup time	12		ns
t_{dh}	Memory Data hold time	2		ns

5.3.6 GPIO AC TIMING



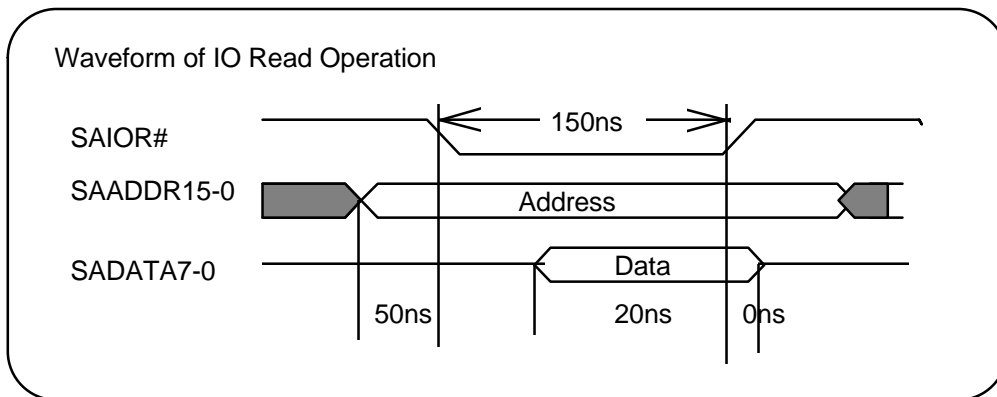
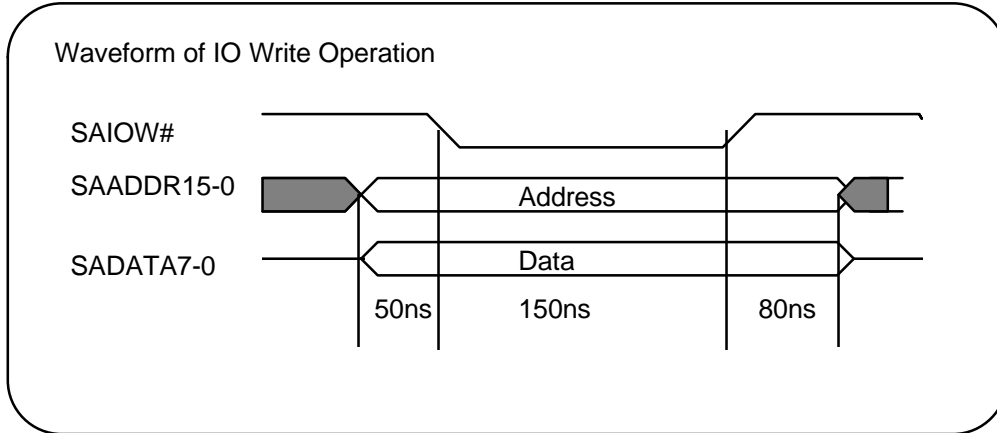
Symbol	Parameter	Min	Max	Unit
t_{AC}	GPIO output access time		15	ns
t_{SETUP}	GPIO input set up time	10		ns
t_{HOLD}	GPIO input hold time	5		ns

5.3.7 VIDEO PREPROCESSOR AC TIMING



Symbol	Parameter	Min	Typ	Max	Unit
t_{LLC}	CLK_Video period		74		ns
t_{LLCL}	CLK_Video Low width		37		ns
t_{LLCH}	CLK_Video High width		37		ns
t_{SETUP}	Input Set Up time	15			ns
t_{HOLD}	Input Hold Time	5			ns

5.3.8 ISA-LIKE BUS AC TIMING



6. APPENDIXES

6.1 Porting Guide for W9960 Win95 Device Driver

6.2 Firmware Loading Procedure

6.3 Application/Firmware Command Block