

---

# BIC801M

Bias Controlled Monolithic IC  
VHF/UHF RF Amplifier

## HITACHI

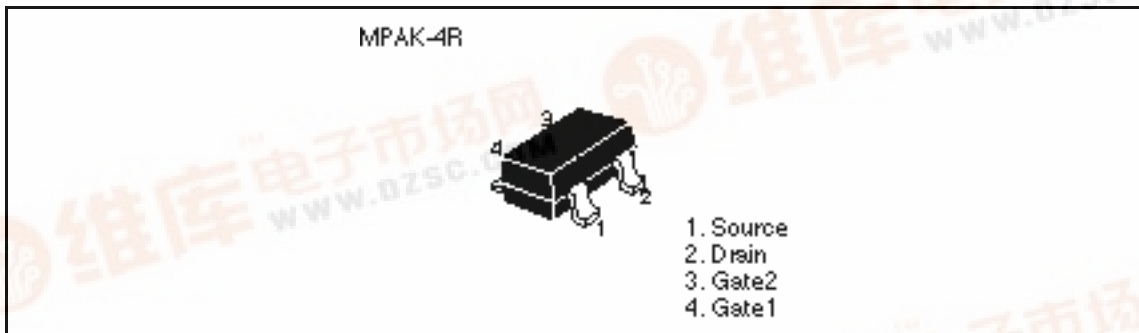
ADE-208-705C (Z)  
4th. Edition  
Nov. 1998

---

### Features

- Bias Controlled Monolithic IC (No external DC biasing voltage on gate1.);  
To reduce using parts cost & PC board space.
- High gain;  
PG = 27 dB typ. (at f = 200 MHz), PG = 21.5 dB typ. (at f = 900 MHz)
- Low noise;  
NF = 1.1 dB typ. (at f = 200 MHz), NF = 1.75 dB typ. (at f = 900 MHz)
- Withstanding to ESD;  
Build in ESD absorbing diode. Withstand up to 200V at C=200pF, Rs=0 conditions.
- Provide mini mold packages; MPAK-4R(SOT-143mod)

### Outline



Notes: 1. Marking is "AY-".

2. BIC801M is individual type number of HITACHI BICMIC.

## BIC801M

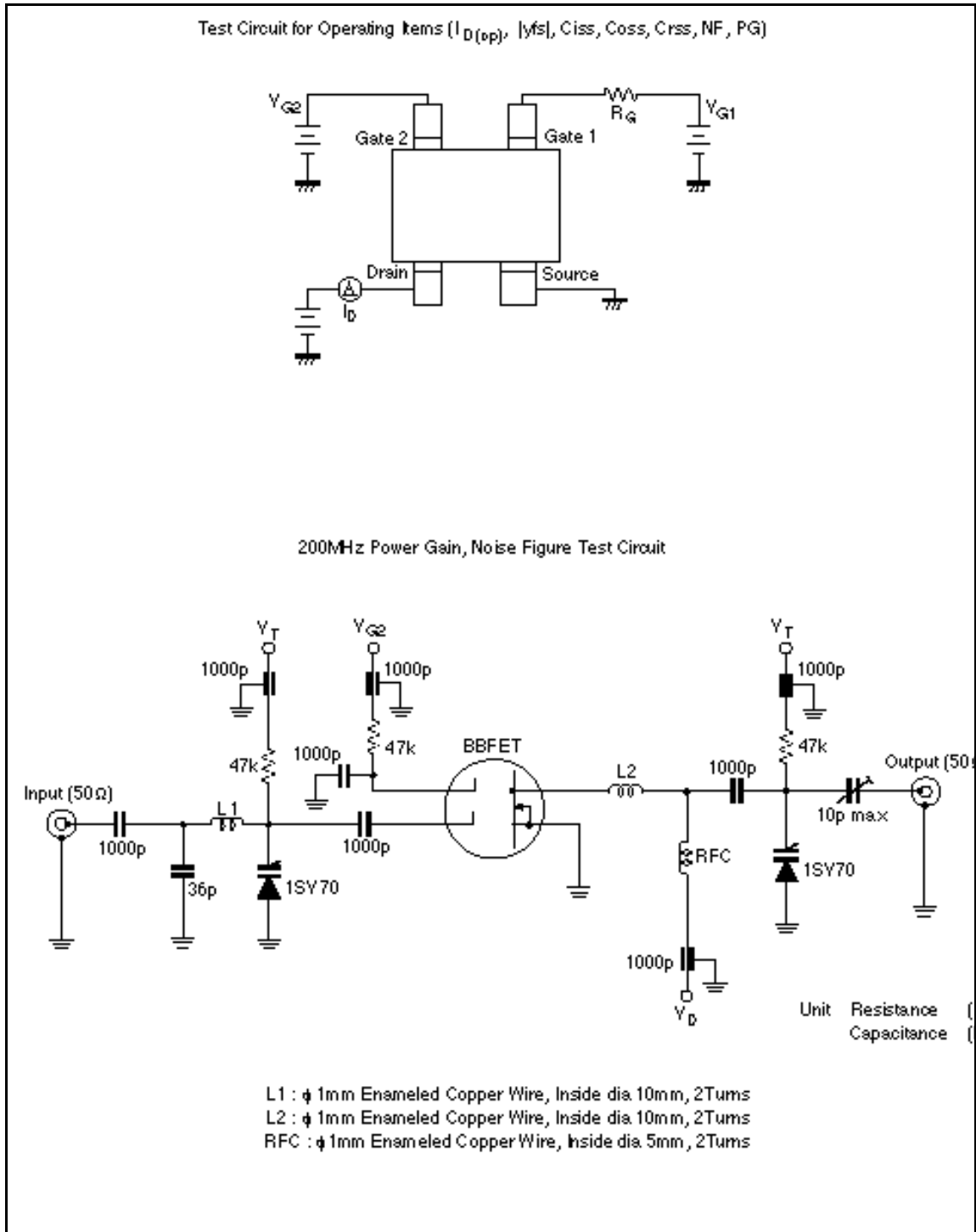
### Absolute Maximum Ratings (Ta = 25°C)

Item	Symbol	Ratings	Unit
Drain to source voltage	$V_{DS}$	6	V
Gate1 to source voltage	$V_{G1S}$	+6 - 0	V
Gate2 to source voltage	$V_{G2S}$	+6 - 0	V
Drain current	$I_D$	20	mA
Channel power dissipation	Pch	150	mW
Channel temperature	Tch	150	°C
Storage temperature	Tstg	-55 to +150	°C

### Electrical Characteristics (Ta = 25°C)

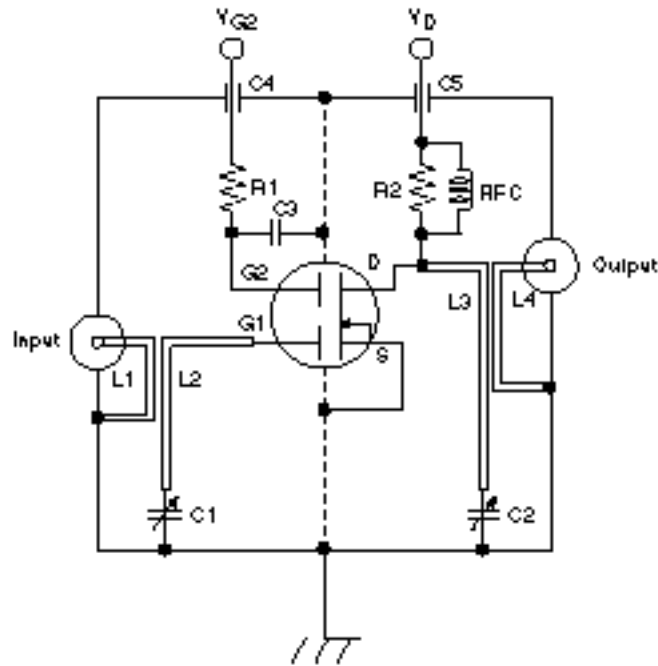
Item	Symbol	Min	Typ	Max	Unit	Test Conditions
Drain to source breakdown voltage	$V_{(BR)DSS}$	6	—	—	V	$I_D = 200\mu A$ $V_{G2S} = 0, V_{G1} = \text{open}$
Gate1 to source breakdown voltage	$V_{(BR)G1SS}$	+6	—	—	V	$I_{G1} = +10\mu A$ $V_{G2S} = V_{DS} = 0$
Gate2 to source breakdown voltage	$V_{(BR)G2SS}$	+6	—	—	V	$I_{G2} = +10\mu A$ $V_{G1S} = V_{DS} = 0$
Gate1 to source cutoff current	$I_{G1SS}$	—	—	+100	nA	$V_{G1S} = +5V$ $V_{G2S} = V_{DS} = 0$
Gate2 to source cutoff current	$I_{G2SS}$	—	—	+100	nA	$V_{G2S} = +5V$ $V_{G1S} = V_{DS} = 0$
Gate2 to source cutoff voltage	$V_{G2S(off)}$	0.5	0.7	1.0	V	$V_{DS} = 5V, I_D = 100\mu A$ $V_{G1} = \text{open}$
Drain current	$I_{DS(op)}$	7	10	13	mA	$V_{DS} = 5V, V_{G2S} = 4V$ $V_{G1} = \text{open}$
Forward transfer admittance	$ y_{fs} $	22	27	32	mS	$V_{DS} = 5V, I_D = 10mA$ $V_{G2S} = 4V, f = 1kHz$
Input capacitance	$c_{iss}$	1.6	2.0	2.3	pF	$V_{DS} = 5V, V_{G2S} = 4V$
Output capacitance	$c_{oss}$	0.6	1.0	1.4	pF	$V_{G1} = \text{open}$
Reverse transfer capacitance	$c_{rss}$	—	0.024	0.05	pF	$f = 1MHz$
Power gain	PG1	23	27	—	dB	$V_{DS} = 5V, V_{G2S} = 4V$ $V_{G1} = \text{open}$
Noise figure	NF1	—	1.1	1.6	dB	$f = 200MHz$
Power gain	PG2	17	21.5	—	dB	$V_{DS} = 5V, V_{G2S} = 4V$ $V_{G1} = \text{open}$
Noise figure	NF2	—	1.75	2.3	dB	$f = 900MHz$

Main Characteristics



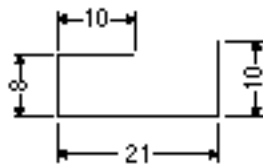
## BIC801M

900MHz Power Gain, Noise Test Circuit

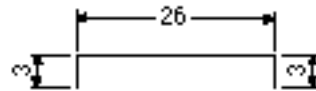


- C1, C2 : Variable Capacitor (10pF MAX)
- C3 : Disk Capacitor (1000pF)
- C4, C5 : Air Capacitor (1000pF)
- R1 : 47 k $\Omega$
- R2 : 4.7 k $\Omega$

L1 :

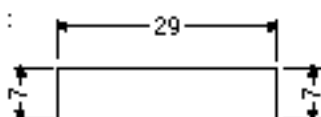


L2 :

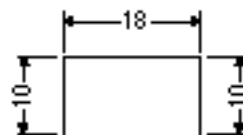


( $\phi$  1mm Copper wire)  
Unit : mm

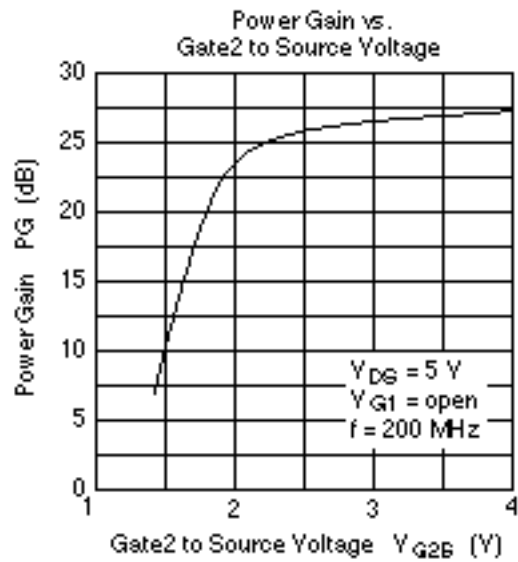
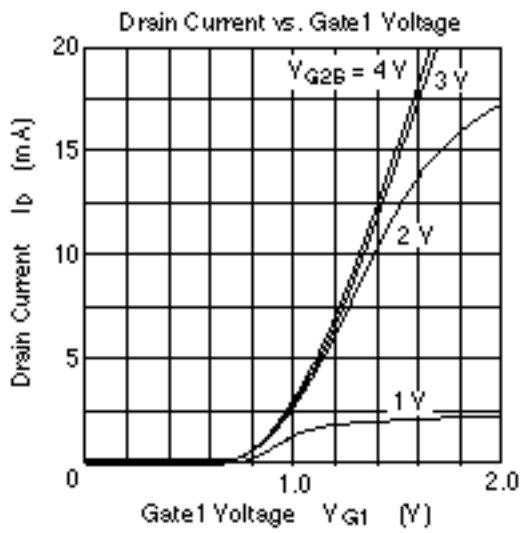
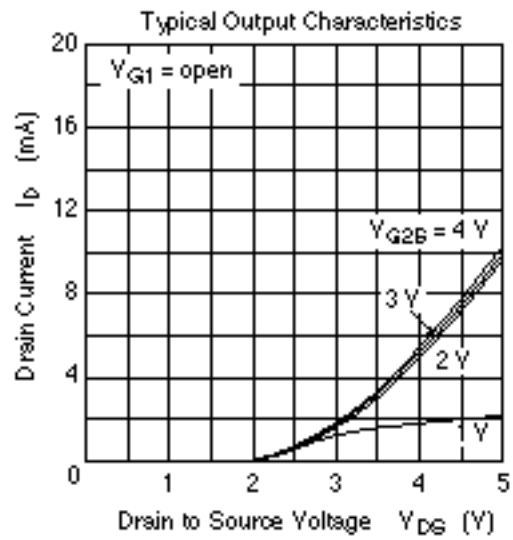
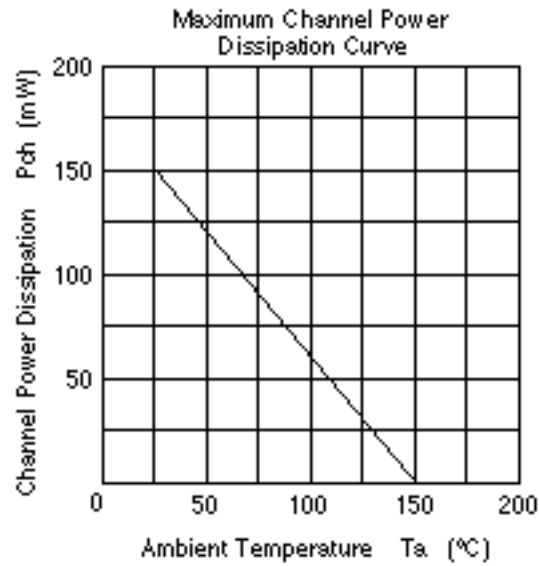
L3 :



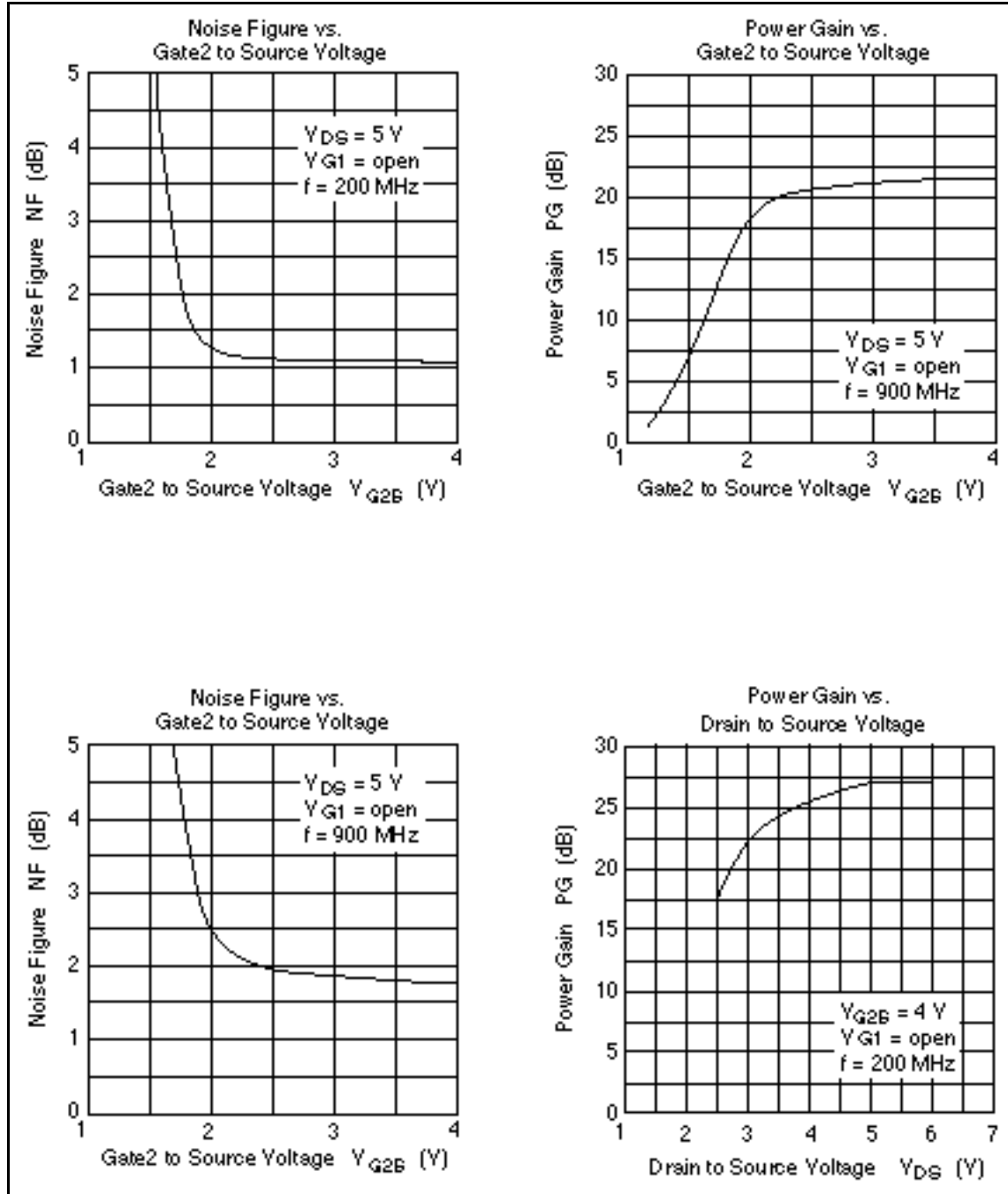
L4 :

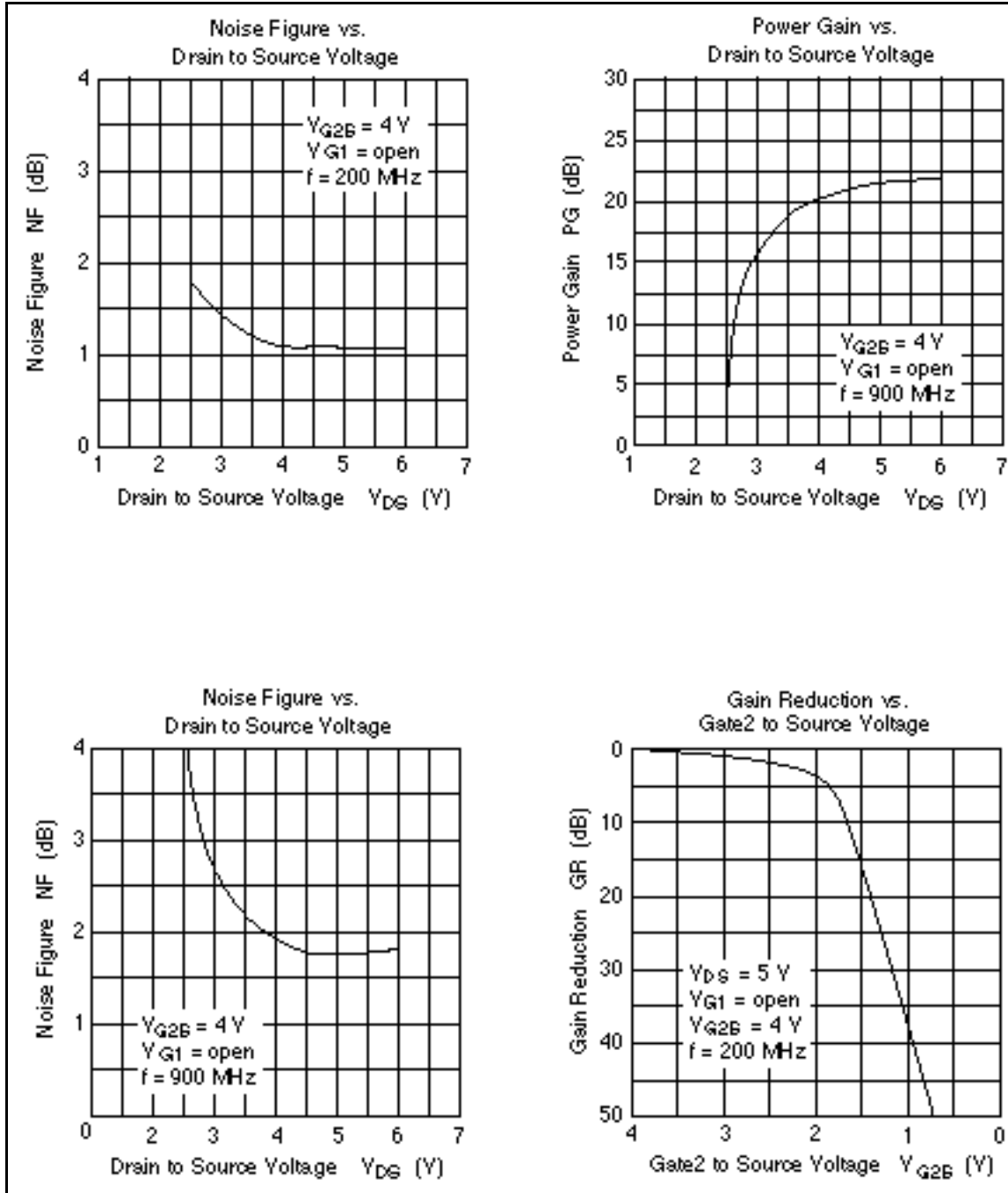


RFC :  $\phi$  1mm Copper wire with enamel 4turns inside dia. 6mm

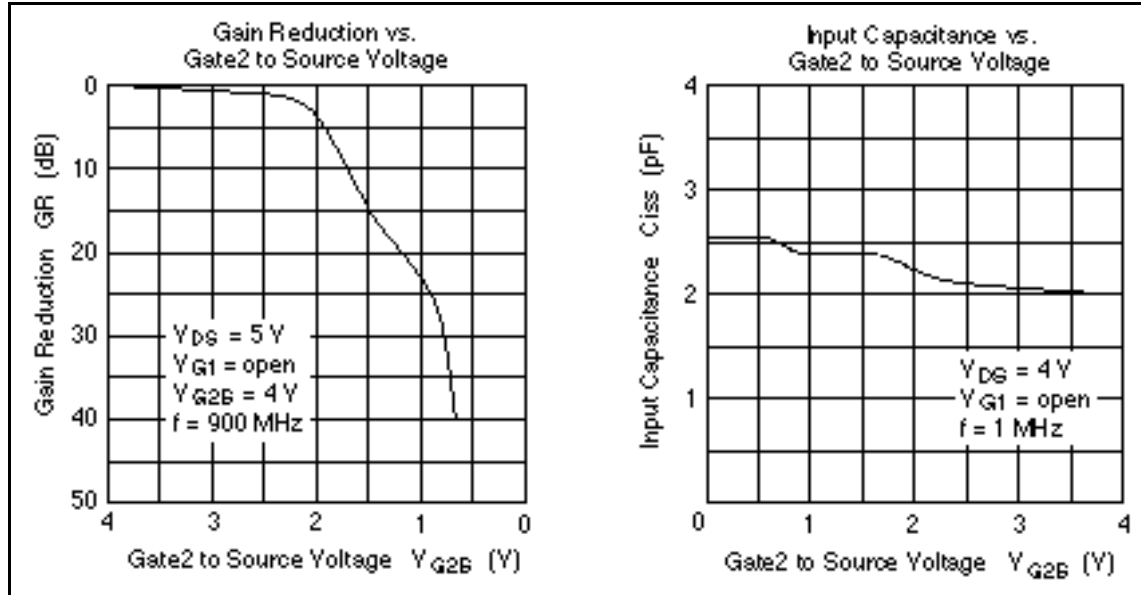


## BIC801M



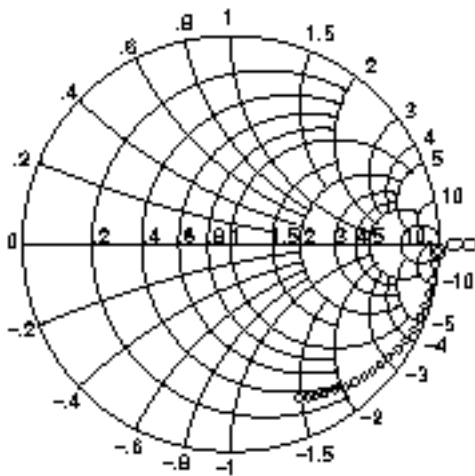


## BIC801M



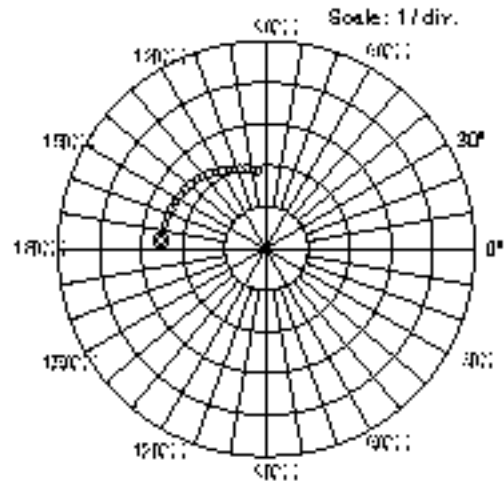


S11 Parameter vs. Frequency



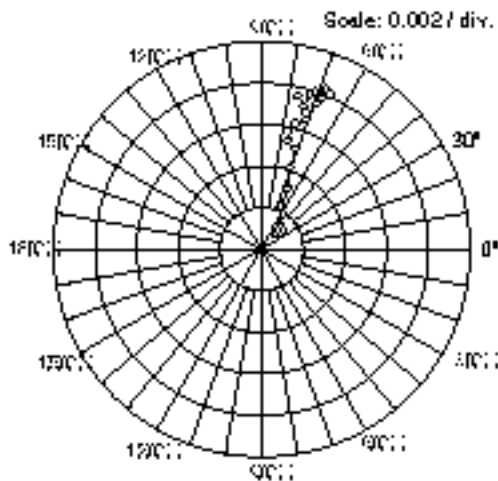
Test Condition :  $V_{DS} = 5V$ ,  $V_{G1} = \text{open}$   
 $V_{G2S} = 4V$ ,  $Z_o = 50 \Omega$   
 50 to 1000 MHz (50 MHz step)

S21 Parameter vs. Frequency



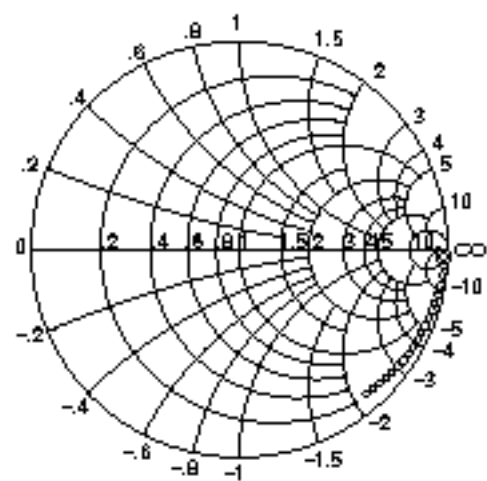
Test Condition :  $V_{DS} = 5V$ ,  $V_{G1} = \text{open}$   
 $V_{G2S} = 4V$ ,  $Z_o = 50 \Omega$   
 50 to 1000 MHz (50 MHz step)

S12 Parameter vs. Frequency



Test Condition :  $V_{DS} = 5V$ ,  $V_{G1} = \text{open}$   
 $V_{G2S} = 4V$ ,  $Z_o = 50 \Omega$   
 50 to 1000 MHz (50 MHz step)

S22 Parameter vs. Frequency



Test Condition :  $V_{DS} = 5V$ ,  $V_{G1} = \text{open}$   
 $V_{G2S} = 4V$ ,  $Z_o = 50 \Omega$   
 50 to 1000 MHz (50 MHz step)

---

**BIC801M**

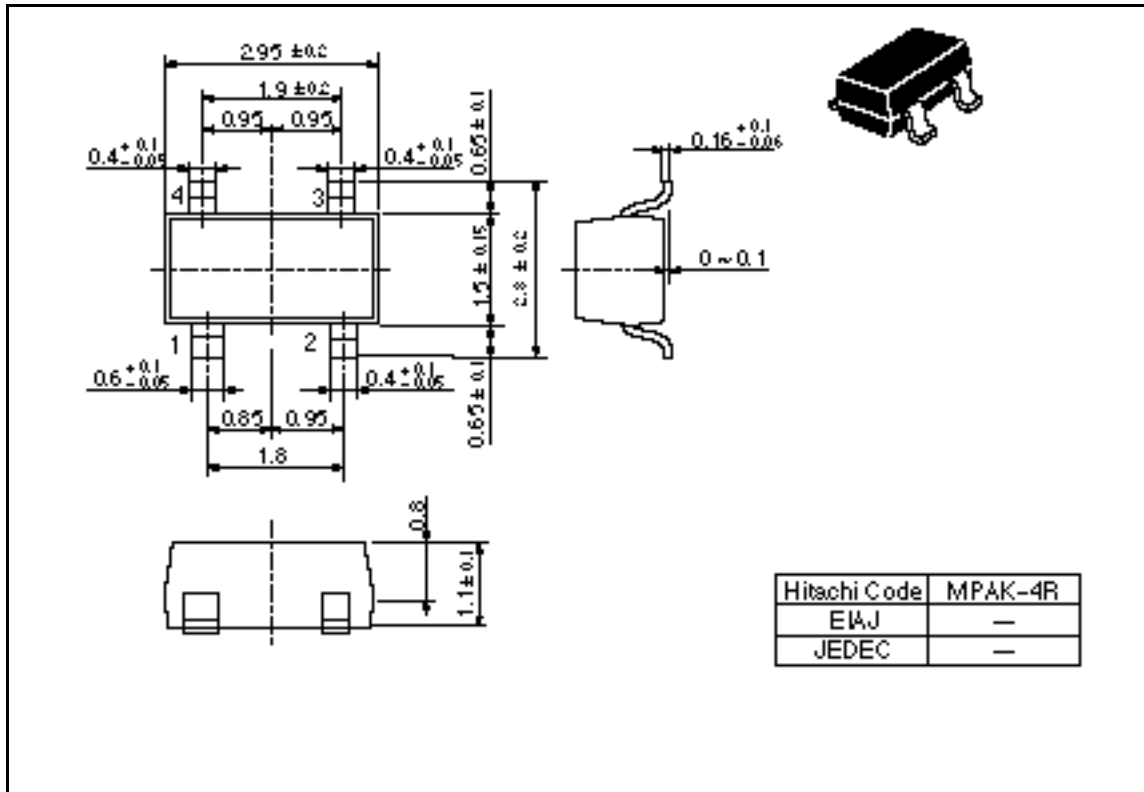
---

**Sparameter** ( $V_{DS} = V_{G1} = 5V$ ,  $V_{G2S} = 4V$ ,  $V_{G1} = \text{open}$ ,  $Z_0 = 50 \Omega$ )

f (MHz)	S11		S21		S12		S22	
	MAG	ANG	MAG	ANG	MAG	ANG	MAG	ANG
50	0.994	-3.1	2.54	175.5	0.00132	50.0	0.978	-2.4
100	0.993	-6.6	2.52	171.0	0.00201	59.8	0.981	-5.1
150	0.988	-10.5	2.51	166.4	0.00228	66.1	0.979	-7.5
200	0.983	-14.1	2.49	161.6	0.00323	66.7	0.979	-10.1
250	0.977	-17.9	2.46	157.2	0.00420	70.2	0.976	-12.7
300	0.970	-21.8	2.43	152.8	0.00514	71.9	0.974	-15.1
350	0.963	-25.4	2.40	148.6	0.00532	76.1	0.971	-17.6
400	0.951	-28.8	2.37	143.7	0.00629	74.2	0.969	-20.1
450	0.943	-32.4	2.34	139.4	0.00665	70.8	0.966	-22.4
500	0.933	-35.4	2.29	135.1	0.00700	71.6	0.962	-24.9
550	0.918	-39.1	2.25	131.1	0.00756	69.3	0.958	-27.3
600	0.906	-42.0	2.21	127.2	0.00790	68.1	0.954	-29.7
650	0.895	-45.5	2.17	123.0	0.00836	67.6	0.951	-32.2
700	0.882	-48.7	2.13	119.4	0.00820	66.1	0.946	-34.4
750	0.879	-51.1	2.09	115.6	0.00818	65.9	0.942	-36.8
800	0.860	-54.6	2.05	111.7	0.00819	66.5	0.938	-39.2
850	0.845	-58.3	2.02	107.8	0.00798	70.7	0.933	-41.5
900	0.835	-60.7	1.96	104.2	0.00787	71.9	0.929	-43.8
950	0.827	-63.3	1.92	100.5	0.00727	73.1	0.924	-46.2
1000	0.812	-66.4	1.88	97.0	0.00758	75.6	0.919	-48.5

Package Dimensions

Unit: mm



---

## BIC801M

---

### Cautions

1. Hitachi neither warrants nor grants licenses of any rights of Hitachi's or any third party's patent, copyright, trademark, or other intellectual property rights for information contained in this document. Hitachi bears no responsibility for problems that may arise with third party's rights, including intellectual property rights, in connection with use of the information contained in this document.
2. Products and product specifications may be subject to change without notice. Confirm that you have received the latest product standards or specifications before final design, purchase or use.
3. Hitachi makes every attempt to ensure that its products are of high quality and reliability. However, contact Hitachi's sales office before using the product in an application that demands especially high quality and reliability or where its failure or malfunction may directly threaten human life or cause risk of bodily injury, such as aerospace, aeronautics, nuclear power, combustion control, transportation, traffic, safety equipment or medical equipment for life support.
4. Design your application so that the product is used within the ranges guaranteed by Hitachi particularly for maximum rating, operating supply voltage range, heat radiation characteristics, installation conditions and other characteristics. Hitachi bears no responsibility for failure or damage when used beyond the guaranteed ranges. Even within the guaranteed ranges, consider normally foreseeable failure rates or failure modes in semiconductor devices and employ systemic measures such as fail-safes, so that the equipment incorporating Hitachi product does not cause bodily injury, fire or other consequential damage due to operation of the Hitachi product.
5. This product is not designed to be radiation resistant.
6. No one is permitted to reproduce or duplicate, in any form, the whole or part of this document without written approval from Hitachi.
7. Contact Hitachi's sales office for any questions regarding this document or Hitachi semiconductor products.

---

# HITACHI

Hitachi, Ltd.

Semiconductor & IC Div.

Nippon Bldg., 2-6-2, Ohite-machi, Chiyoda-ku, Tokyo 100-0004, Japan

Tel: Tokyo (03) 3270-2111 Fax: (03) 3270-5109

URL	North America	: <a href="http://semiconductor.hitachi.com/">http://semiconductor.hitachi.com/</a>
	Europe	: <a href="http://www.hitachi-eu.com/hel/ecg">http://www.hitachi-eu.com/hel/ecg</a>
	Asia (Singapore)	: <a href="http://www.hias.hitachi.com.sg/grp3/sicd/index.htm">http://www.hias.hitachi.com.sg/grp3/sicd/index.htm</a>
	Asia (Taiwan)	: <a href="http://www.hitachi.com.tw/E/Product/SICD_Frame.htm">http://www.hitachi.com.tw/E/Product/SICD_Frame.htm</a>
	Asia (HongKong)	: <a href="http://www.hitachi.com.hk/eng/bolgrp3/index.htm">http://www.hitachi.com.hk/eng/bolgrp3/index.htm</a>
	Japan	: <a href="http://www.hitachi.co.jp/Sicd/index.htm">http://www.hitachi.co.jp/Sicd/index.htm</a>

For further information write to:

Hitachi Semiconductor  
(America) Inc.  
2000 Sierra Point Parkway  
Burlington, CT 04005-1807  
Tel: +1 (800) 235-1801  
Fax: +1 (303) 297-0447

Hitachi Europe GmbH  
Electronic Component Group  
Domacher StraÙe 3  
D-85622 Feldkirchen, Munich  
Germany  
Tel: +49 (89) 9 9190-0  
Fax: +49 (89) 9 29 30 00

Hitachi Europe Ltd.  
Electronic Component Group  
Whitebrook Park  
Lower Cookham Road  
Maidenhead  
Berkshire SL6 8YX, United Kingdom  
Tel: +44 (1628) 535000  
Fax: +44 (1628) 779322

Hitachi Asia Pte Ltd.  
15 Collyer Quay #20-00  
Hitachi Tower  
Singapore 049318  
Tel: +65 2 100  
Fax: +65 2 1555

Hitachi Asia Ltd.  
Taipei Branch Office  
5F, Hung Kuo Building, No.167,  
Tun-Hua North Road, Taipei (105)  
Tel: +886 (2) 2718-3585  
Fax: +886 (2) 2718-3130

Hitachi Asia (Hong Kong) Ltd.  
Group III (Electronic Components)  
7F, North Tower, World Finance Centre,  
Harbour City, Canton Road, Tsim Sha Tsui,  
Kowloon, Hong Kong  
Tel: +852 (2) 735 9818  
Fax: +852 (2) 730 0881  
Telex: 40815 HITECHX

Copyright © Hitachi, Ltd., 1998. All rights reserved. Printed in Japan.