

ADE-208-043B(Z)

HSM112WK

Silicon Schottky Barrier Diode for Battery Switch

HITACHI

Preliminary
Rev.2
Feb. 1993

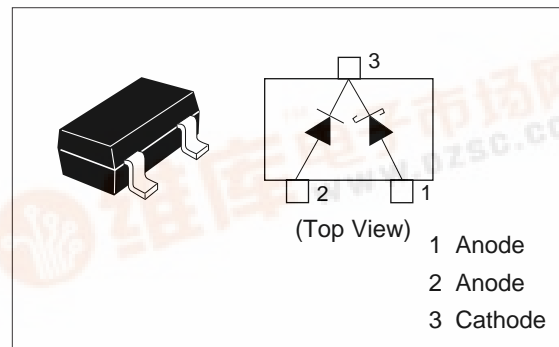
Features

- The HSM112WK has two different (V_F - I_F) chips, and can change the main battery to the backup battery automatically.
- MPAK package is suitable for high density surface mounting and high speed assembly.

Ordering Information

Type No.	Laser Mark	Package Code
HSM112WK	S 2	MPAK

Pin Arrangement



Absolute Maximum Ratings ($T_a = 25^\circ\text{C}$)

Item	Symbol	Value Pin 1-3	Value Pin 2-3	Unit
Peak reverse voltage	V_{RM}	8	10	V
Forward current	I_F	30	30	mA
Junction temperature	T_j	125	125	$^\circ\text{C}$
Storage temperature	T_{stg}	-55 to +125	-55 to +125	$^\circ\text{C}$

Electrical Characteristics ($T_a = 25^\circ\text{C}$)

Item	Symbol	Min	Typ	Max	Unit	Test Condition	
Forward voltage	V_F	Pin 1-3	0.1	—	0.3	V	$I_F = 1 \text{ mA}$
		Pin 2-3	0.5	—	0.8		
Reverse current	I_R	Pin 1-3	—	—	30	μA	$V_R = 5 \text{ V}$
		Pin 2-3	—	—	0.1		

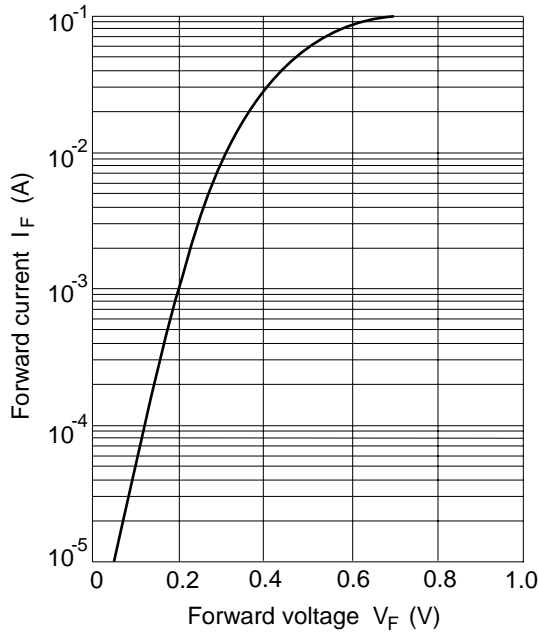


Fig.1 Forward current Vs. Forward voltage (Pin1-3)

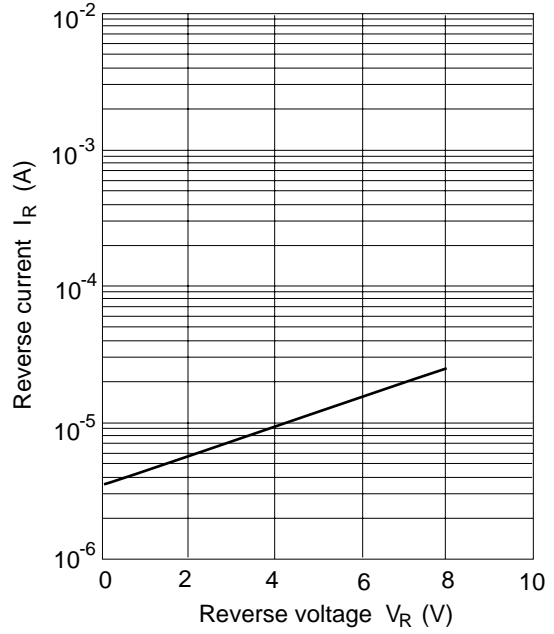


Fig.2 Reverse current Vs. Reverse voltage (Pin1-3)

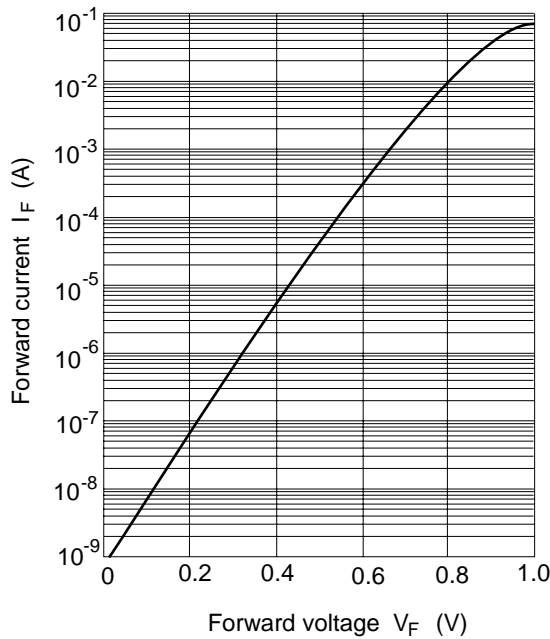


Fig.3 Forward current Vs. Forward voltage (Pin2-3)

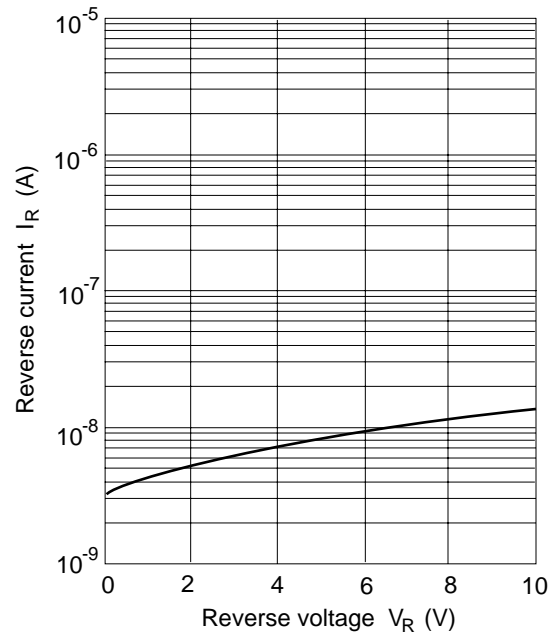


Fig.4 Reverse current Vs. Reverse voltage (Pin2-3)

Package Dimensions

Unit: mm

