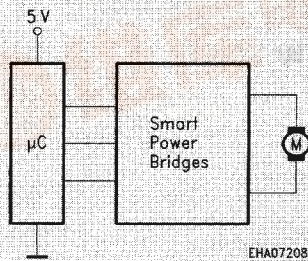


Intelligente Leistungsbrücken

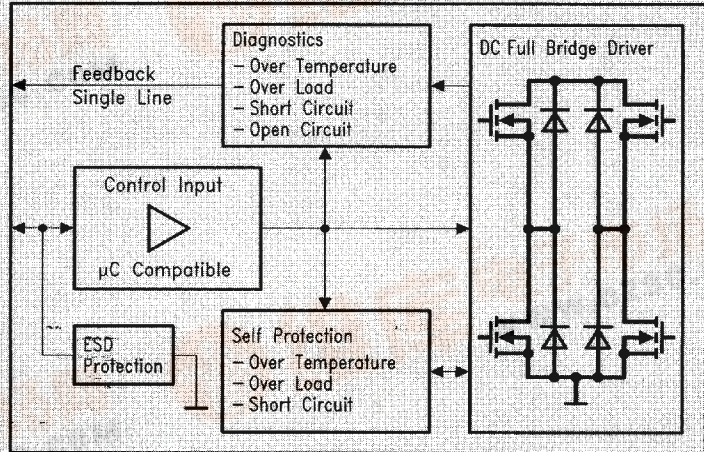
Smart Power Bridges

Intelligente Gleichstrommotortreiber

Intelligent DC Motor Drivers



Block Diagram



- Wide operating range up to 40 V
- Free wheeling diodes
- Self protection
- Small Construction size
- Replacement of relays and discretres
- Micro processor control
- Dynamic Power Control
- Exact Positioning
- Cross current protection
- Intelligent self protection
- High ESD protection
- Diagnosis Feasibility

Typ Type	I_{max} A	V_{max} V	Kurzschlußgeschützt short circuit protection $+V_S / -V_S$	Inhibit/Diagnose Inhibit/Diagnosis	Bestellnummer Ordering Code	Gehäuse Package	Bild Fig.
TCA 2465	2.0	42	● / ●	● / -	Q67000-A8109	P-SIP-9-2	17
TCA 2465 G	2.0	42	- / ●	● / -	Q67000-A8334	P-DSO-20-6	6
TLE 4202 B	2.5	40	- / ●	- / -	Q67000-A8225	P-TO220-7-1	29
TLE 4203	4.0	45	● / ●	- / -	Q67000-A8121	P-TO220-7-1	29
TLE 4203 S	4.0	45	● / ●	- / -	Q67000-A9101	P-TO220-7-2	30
TLE 4205	1.0	45	- / ●	● / -	Q67000-A9025	P-DIP-18-3	15
TLE 4205 G	1.0	45	- / ●	● / -	Q67000-A9114	P-DSO-20-6	6
TLE 5203	3.0	40	● / ●	- / ●	Q67000-A9096	P-TO220-7-1	29
TLE 5203 S	3.0	40	● / ●	- / ●	Q67000-A9165	P-TO220-7-2	30
TLE 5203 G	3.0	40	● / ●	- / ●	Q67006-A9242	P-TO220-7-8	32
TLE 5204	3.0	40	● / ●	- / ●	Q67000-A9177	P-TO220-7-1	29
TLE 5204 G	3.0	40	● / ●	- / ●	Q67006-A9234	P-TO220-7-8	32
TLE 5205	4.5	40	● / ●	- / ●	Q67000-A9235	P-TO220-7-1	29
TLE 5205 S	4.5	40	● / ●	- / ●	Q67000-A9236	P-TO220-7-2	30
TLE 5205 G	4.5	40	● / ●	- / ●	Q67006-A9238	P-TO220-7-8	32
TLE 5205 GP	4.5	40	● / ●	- / ●	Q67006-A9237	P-DSO-20-10	8
TLE 5206 G	4.5	40	● / ●	- / ●	Q67006-A9240	P-TO220-7-8	32
TLE 5206 GP	4.5	40	● / ●	- / ●	Q67006-A9239	P-DSO-20-10	8