

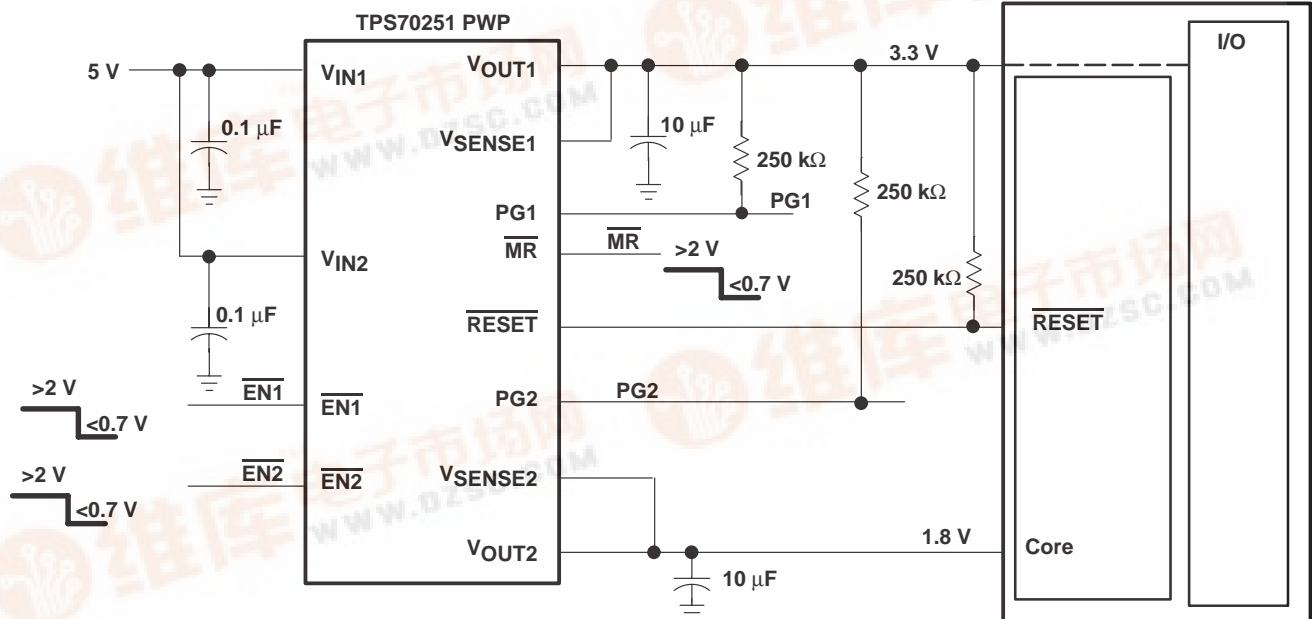
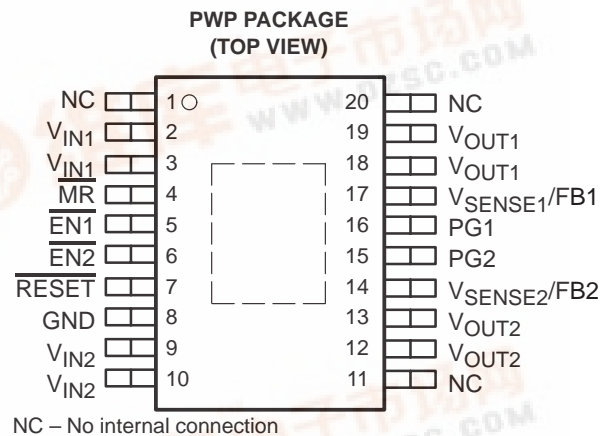
TPS70245, TPS70248, TPS70251, TPS70258, TPS70202 DUAL-OUTPUT LOW-DROPOUT VOLTAGE REGULATORS WITH INTEGRATED SVS FOR SPLIT VOLTAGE SYSTEMS

SLVS286A – JUNE 2000 – REVISED JULY 2000

- Dual Output Voltages for Split-Supply Applications
- Independent Enable Functions (See Part Number TPS701xx for Sequenced Outputs)
- Output Current Range of 500 mA on Regulator 1 and 250 mA on Regulator 2
- Fast Transient Response
- Voltage Options Are 3.3-V/2.5-V, 3.3-V/1.8-V, 3.3-V/1.5-V, 3.3-V/1.2-V, and Dual Adjustable Outputs
- Open Drain Power-On Reset With 120-ms Delay
- Open Drain Power Good for Regulator 1 and Regulator 2
- Ultralow 190 μA (typ) Quiescent Current
- 1 μA Input Current During Standby
- Low Noise: 65 μV_{RMS} Without Bypass Capacitor
- Quick Output Capacitor Discharge Feature
- One Manual Reset Input
- 2% Accuracy Over Load and Temperature
- Undervoltage Lockout (UVLO) Feature
- 20-Pin PowerPAD™ TSSOP Package
- Thermal Shutdown Protection

description

The TPS702xx is a low dropout voltage regulator with integrated SVS (RESET, POR, or power on reset) and power good (PG) functions. These devices are capable of supplying 500 mA and 250 mA by regulator 1 and regulator 2 respectively. Quiescent current is typically 190 μA at full load. Differentiated features, such as accuracy, fast transient response, SVS supervisory circuit (power on reset), manual reset input, and independent enable functions provide a complete system solution.



Please be aware that an important notice concerning availability, standard warranty, and use in critical applications of Texas Instruments semiconductor products and disclaimers thereto appears at the end of this data sheet.

PowerPAD is a trademark of Texas Instruments.

PRODUCTION DATA information is current as of publication date. Products conform to specifications per the terms of Texas Instruments standard warranty. Production processing does not necessarily include testing of all parameters.

Copyright © 2000, Texas Instruments Incorporated

TPS70245, TPS70248, TPS70251, TPS70258, TPS70202 DUAL-OUTPUT LOW-DROPOUT VOLTAGE REGULATORS WITH INTEGRATED SVS FOR SPLIT VOLTAGE SYSTEMS

SLVS286A – JUNE 2000 – REVISED JULY 2000

description (continued)

The TPS702xx family of voltage regulators offers very low dropout voltage and dual outputs. These devices have extremely low noise output performance without using any added filter bypass capacitors and are designed to have a fast transient response and be stable with 10 μ F low ESR capacitors.

These devices have fixed 3.3-V/2.5-V, 3.3-V/1.8-V, 3.3-V/1.5-V, 3.3-V/1.2-V, and adjustable voltage options. Regulator 1 can support up to 500 mA, and regulator 2 can support up to 250 mA. Separate voltage inputs allow the designer to configure the source power.

Because the PMOS device behaves as a low-value resistor, the dropout voltage is very low (typically 170 mV on regulator 1) and is directly proportional to the output current. Additionally, since the PMOS pass element is a voltage-driven device, the quiescent current is very low and independent of output loading (maximum of 230 μ A over the full range of output current and full range of temperature). This LDO family also features a sleep mode; applying a high signal to $\overline{\text{EN1}}$ or $\overline{\text{EN2}}$ (enable) shuts down regulator 1 or regulator 2, respectively. When a high signal is applied to both $\overline{\text{EN1}}$ and $\overline{\text{EN2}}$, both regulators are in sleep mode, thereby reducing the input current to 2 μ A at $T_J = 25^\circ\text{C}$.

For each regulator, there is an internal discharge transistor to discharge the output capacitor when the regulator is turned off (disabled).

The PG1 pin reports the voltage condition at V_{OUT1} . The PG1 pin can be used to implement a SVS ($\overline{\text{RESET}}$, POR, or power on reset) for the circuitry supplied by regulator 1. The PG2 pin reports the voltage conditions at V_{OUT2} . The PG2 pin can be used to implement a SVS (power on reset) for the circuitry supplied by regulator 2.

The TPS702xx features a $\overline{\text{RESET}}$ (SVS, POR, or power on reset). $\overline{\text{RESET}}$ output initiates a reset in the event of an undervoltage condition. $\overline{\text{RESET}}$ also indicates the status of the manual reset pin ($\overline{\text{MR}}$). When $\overline{\text{MR}}$ is in the logic high state, $\overline{\text{RESET}}$ will go to a high impedance state after 120 ms delay. To monitor V_{OUT1} , the PG1 output pin can be connected to $\overline{\text{MR}}$. To monitor V_{OUT2} , the PG2 output pin can be connected to $\overline{\text{MR}}$.

The device has an undervoltage lockout UVLO circuit which prevents the internal regulators from turning on until V_{IN1} reaches 2.5V.

AVAILABLE OPTIONS

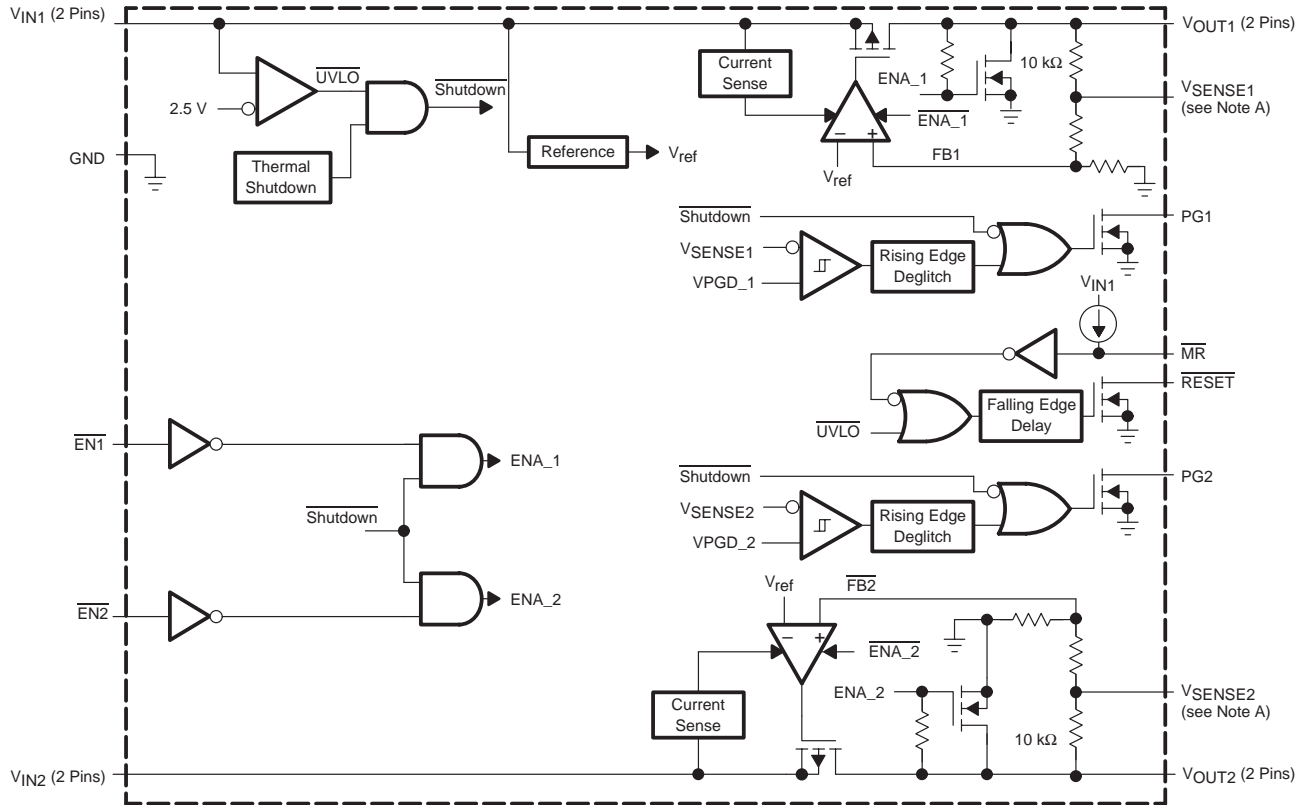
T_J	REGULATOR 1 V_O (V)	REGULATOR 2 V_O (V)	TSSOP (PWP)
-40°C to 125°C	3.3 V	1.2 V	TPS70245PWP
	3.3 V	1.5 V	TPS70248PWP
	3.3 V	1.8 V	TPS70251PWP
	3.3 V	2.5 V	TPS70258PWP
	Adjustable (1.22 V to 5.5 V)	Adjustable (1.22 V to 5.5 V)	TPS70202PWP

NOTE: The TPS70202 is programmable using external resistor dividers (see application information) The PWP package is available taped and reeled. Add an R suffix to the device type (e.g., TPS70202PWPR).

TPS70245, TPS70248, TPS70251, TPS70258, TPS70202 DUAL-OUTPUT LOW-DROPOUT VOLTAGE REGULATORS WITH INTEGRATED SVS FOR SPLIT VOLTAGE SYSTEMS

SLVS286A – JUNE 2000 – REVISED JULY 2000

detailed block diagram – fixed voltage version

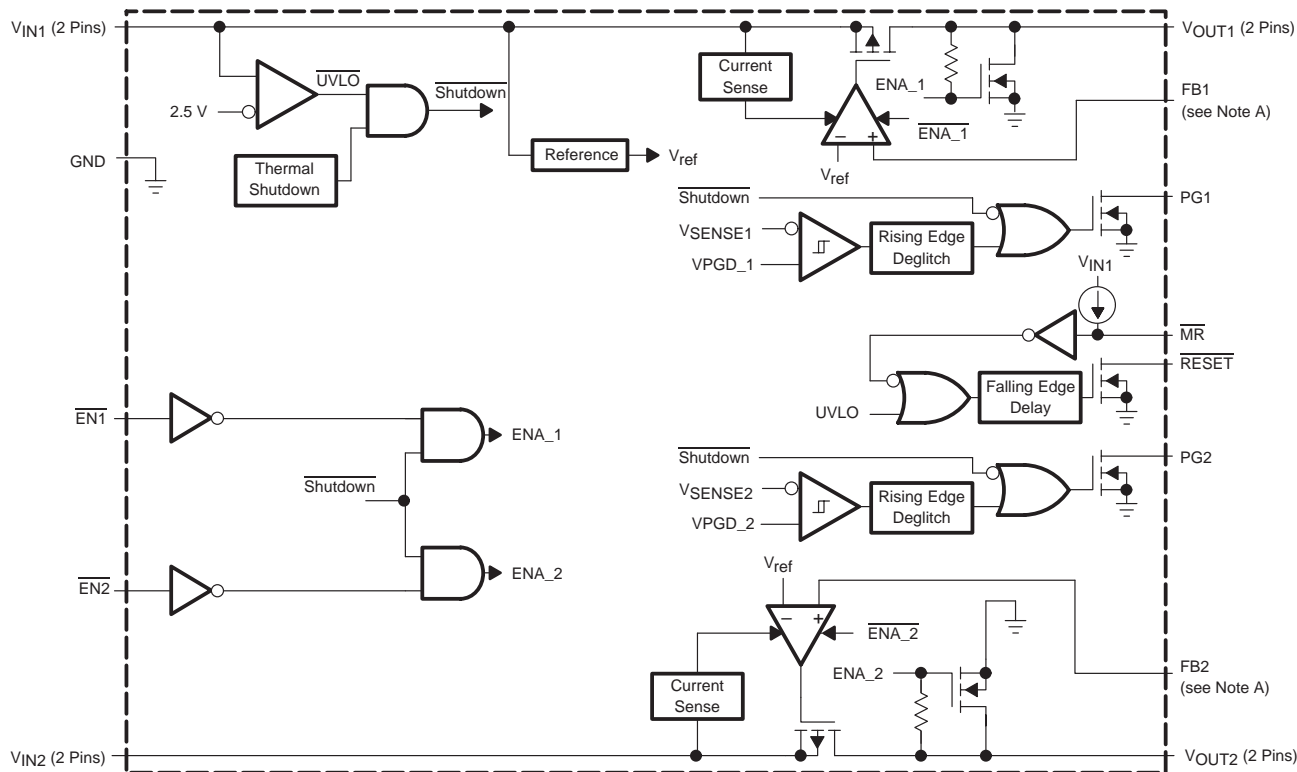


NOTE A: For most applications, V_{SENSE1} and V_{SENSE2} should be externally connected to V_{OUT1} and V_{OUT2} respectively as close as possible to the device. For other implementations, refer to SENSE terminal connection discussion in the application information section.

TPS70245, TPS70248, TPS70251, TPS70258, TPS70202 DUAL-OUTPUT LOW-DROPOUT VOLTAGE REGULATORS WITH INTEGRATED SVS FOR SPLIT VOLTAGE SYSTEMS

SLVS286A – JUNE 2000 – REVISED JULY 2000

detailed block diagram – adjustable voltage version

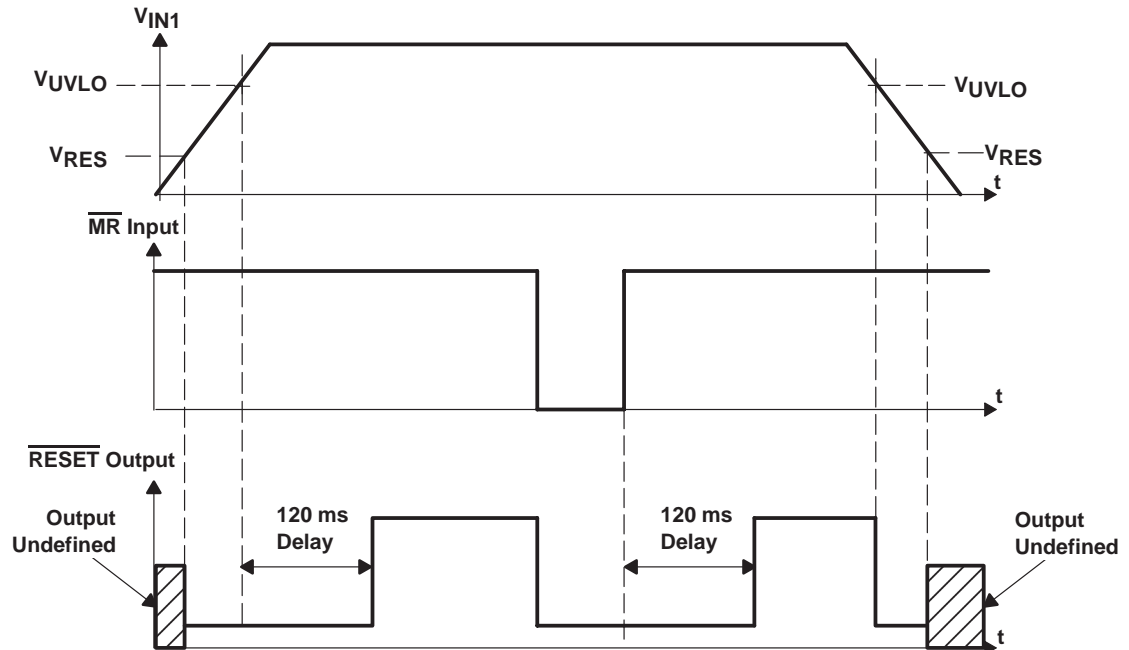


NOTE A: For most applications, FB1 and FB2 should be externally connected to resistor dividers as close as possible to the device. For other implementations, refer to FB terminals connection discussion in the application information section.

TPS70245, TPS70248, TPS70251, TPS70258, TPS70202
 DUAL-OUTPUT LOW-DROPOUT VOLTAGE REGULATORS
 WITH INTEGRATED SVS FOR SPLIT VOLTAGE SYSTEMS

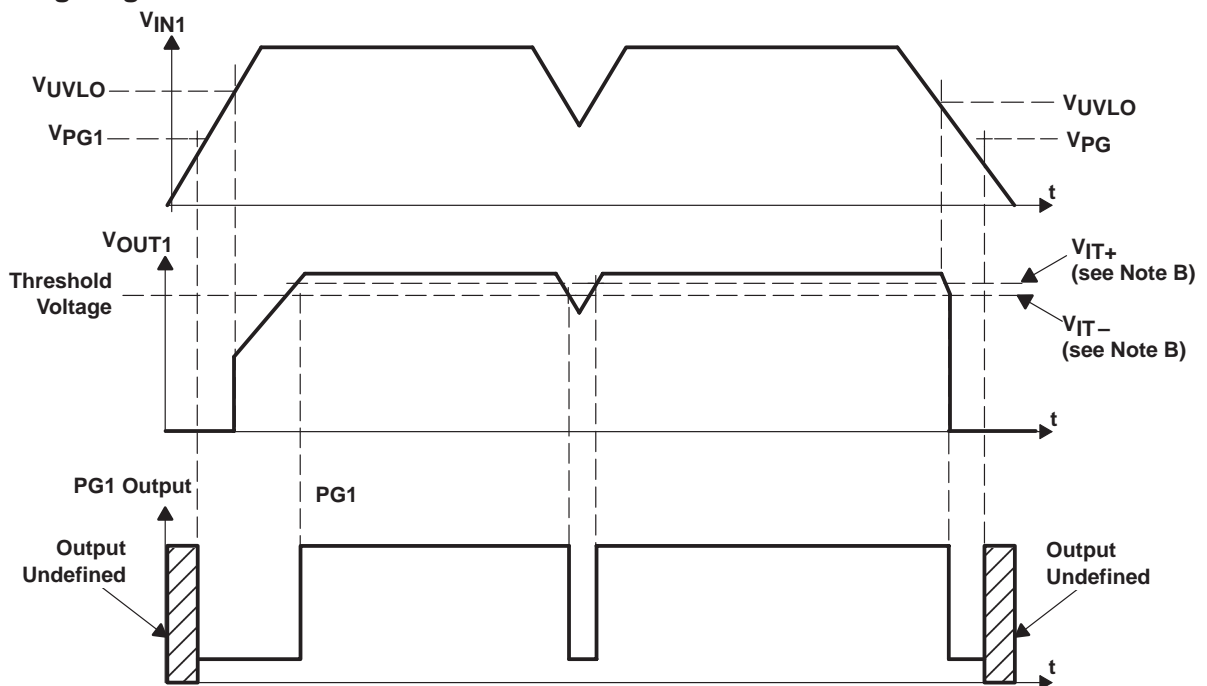
SLVS286A – JUNE 2000 – REVISED JULY 2000

RESET timing diagram



NOTE A: V_{RES} is the minimum input voltage for a valid \overline{RESET} . The symbol V_{RES} is not currently listed within EIA or JEDEC standards for semiconductor symbology.

PG1 timing diagram



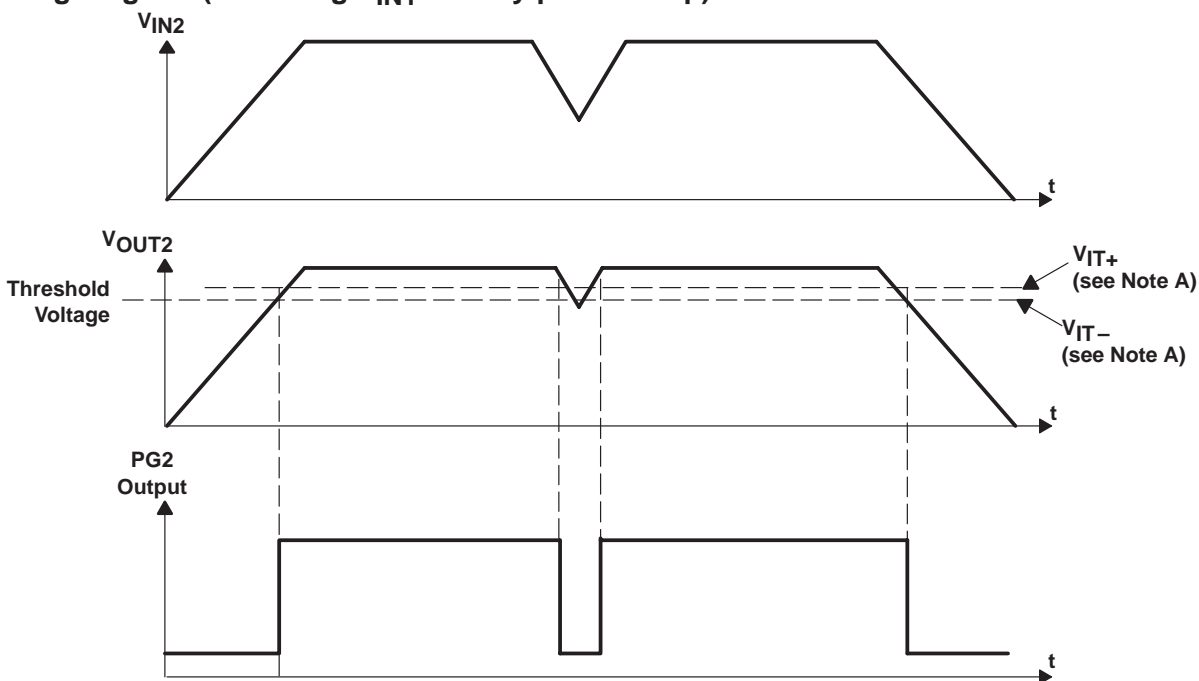
NOTES: A. V_{PG1} is the minimum input voltage for a valid PG1. The symbol V_{PG1} is not currently listed within EIA or JEDEC standards for semiconductor symbology.

B. V_{IT-} Trip voltage is typically 5% lower than the output voltage ($95\%V_O$) V_{IT-} to V_{IT+} is the hysteresis voltage.

TPS70245, TPS70248, TPS70251, TPS70258, TPS70202 DUAL-OUTPUT LOW-DROPOUT VOLTAGE REGULATORS WITH INTEGRATED SVS FOR SPLIT VOLTAGE SYSTEMS

SLVS286A – JUNE 2000 – REVISED JULY 2000

PG2 timing diagram (assuming V_{IN1} already powered up)



NOTE A: V_{IT-} —Trip voltage is typically 5% lower than the output voltage ($95\%V_O$) V_{IT-} to V_{IT+} is the hysteresis voltage.

Terminal Functions

TERMINAL NAME	NO.	I/O	DESCRIPTION
$\overline{EN1}$	5	I	Active low enable for V_{OUT1}
$\overline{EN2}$	6	I	Active low enable for V_{OUT2}
GND	8		Ground
\overline{MR}	4	I	Manual reset input, active low, pulled up internally
NC	1, 11, 20		No connection
PG1	16	O	Open drain output, low when V_{OUT1} voltage is less than 95% of the nominal regulated voltage
PG2	15	O	Open drain output, low when V_{OUT2} voltage is less than 95% of the nominal regulated voltage
\overline{RESET}	7	I	Open drain output, SVS (power on reset) signal, active low
V_{IN1}	2, 3	I	Input voltage of regulator 1
V_{IN2}	9, 10	I	Input voltage of regulator 2
V_{OUT1}	18, 19	O	Output voltage of regulator 1
V_{OUT2}	12, 13	O	Output voltage of regulator 2
$V_{SENSE2}/FB2$	14	I	Regulator 2 output voltage sense/ regulator 2 feedback for adjustable
$V_{SENSE1}/FB1$	17	I	Regulator 1 output voltage sense/ regulator 1 feedback for adjustable

TPS70245, TPS70248, TPS70251, TPS70258, TPS70202 DUAL-OUTPUT LOW-DROPOUT VOLTAGE REGULATORS WITH INTEGRATED SVS FOR SPLIT VOLTAGE SYSTEMS

SLVS286A – JUNE 2000 – REVISED JULY 2000

detailed description

The TPS702xx low dropout regulator family provides dual regulated output voltages with independent enable functions. These devices provide fast transient response and high accuracy with small output capacitors, while drawing low quiescent current. Other features are integrated SVS (power-on reset, $\overline{\text{RESET}}$) and power good (PG1, PG2) that monitor output voltages and provide logic output to the system. These differentiated features provide a complete power solution.

The TPS702xx, unlike many other LDOs, features very low quiescent current which remains virtually constant even with varying loads. Conventional LDO regulators use a pnp pass element, the base current of which is directly proportional to the load current through the regulator ($I_B = I_C/\beta$). The TPS702xx uses a PMOS transistor to pass current; because the gate of the PMOS is voltage driven, operating current is low and stable over the full load range.

pin functions

enable ($\overline{\text{EN1}}$ and $\overline{\text{EN2}}$)

The $\overline{\text{EN}}$ terminals are inputs which enable or shut down each respective regulator. If $\overline{\text{EN}}$ is at a voltage high signal the respective regulator will be in shutdown mode. When $\overline{\text{EN}}$ goes to voltage low, then the respective regulator will be enabled.

power good (PG1 and PG2)

The PG terminals are open drain, active high outputs which indicate the status of each respective regulator. When the V_{OUT1} reaches 95% of its regulated voltage, PG1 will go to a high impedance state. When the V_{OUT2} reaches 95% of its regulated voltage, PG2 will go to a high impedance state. Each PG will go to a low impedance state when its respective output voltage is pulled below 95% (i.e., over load condition) of its regulated voltage. The open drain outputs of the PG terminals require a pullup resistor.

manual reset pin ($\overline{\text{MR}}$)

$\overline{\text{MR}}$ is an active low input terminal used to trigger a reset condition. When $\overline{\text{MR}}$ is pulled to logic low, a POR ($\overline{\text{RESET}}$) will occur. The terminal has a 6- μA pullup current to V_{IN1} .

sense (V_{SENSE1} , V_{SENSE2})

The sense terminals of fixed-output options must be connected to the regulator outputs, and the connection should be as short as possible. Internally, the sense terminal connects to high-impedance wide-bandwidth amplifiers through a resistor-divider network and noise pickup feeds through to the regulator output. It is essential to route the sense connection in such a way as to minimize/avoid noise pickup. Adding RC networks between sense terminals and V_{OUTS} to filter noise is not recommended because it can cause the regulators to oscillate.

FB1 and FB2

FB1 and FB2 are input terminals used for adjustable-output devices and must be connected to the external feedback resistor divider. FB1 and FB2 connections should be as short as possible. It is essential to route them in such a way as to minimize/avoid noise pickup. Adding RC networks between FB terminals and V_{OUTS} to filter noise is not recommended because it can cause the regulators to oscillate.

$\overline{\text{RESET}}$ indicator

The TPS702xx features a $\overline{\text{RESET}}$ (SVS, POR, or power on reset). $\overline{\text{RESET}}$ can be used to drive power on reset circuitry or a low-battery indicator. $\overline{\text{RESET}}$ is an active low, open drain output which indicates the status of the manual reset pin ($\overline{\text{MR}}$). When $\overline{\text{MR}}$ is in high impedance state, $\overline{\text{RESET}}$ will go to a high impedance state after a 120 ms delay. To monitor V_{OUT1} , the PG1 output pin can be connected to $\overline{\text{MR}}$. To monitor V_{OUT2} , the PG2 output pin can be connected to $\overline{\text{MR}}$. The open drain output of the $\overline{\text{RESET}}$ terminal requires a pullup resistor. If $\overline{\text{RESET}}$ is not used, it can be left floating.

TPS70245, TPS70248, TPS70251, TPS70258, TPS70202 DUAL-OUTPUT LOW-DROPOUT VOLTAGE REGULATORS WITH INTEGRATED SVS FOR SPLIT VOLTAGE SYSTEMS

SLVS286A – JUNE 2000 – REVISED JULY 2000

detailed description (continued)

V_{IN1} and V_{IN2}

V_{IN1} and V_{IN2} are inputs to each regulator. Internal bias voltages are powered by V_{IN1}.

V_{OUT1} and V_{OUT2}

V_{OUT1} and V_{OUT2} are output terminals of each regulator.

absolute maximum ratings over operating junction temperature (unless otherwise noted)†

Input voltage range‡: V _{IN1}	-0.3 V to 7 V
V _{IN2}	-0.3 V to 7 V
Voltage range at $\overline{EN1}$, $\overline{EN2}$	-0.3 V to 7 V
Output voltage range (V _{OUT1} , V _{SENSE1})	5.5 V
Output voltage range (V _{OUT2} , V _{SENSE2})	5.5 V
Maximum \overline{RESET} , PG1, PG2 voltage	7 V
Maximum \overline{MR} voltage	V _{IN1}
Peak output current	Internally limited
Continuous total power dissipation	See Dissipation Rating Tables
Operating virtual junction temperature range, T _J	-40°C to 125°C
Storage temperature range, T _{stg}	-65°C to 150°C
ESD rating, HBM	2 kV

† Stresses beyond those listed under “absolute maximum ratings” may cause permanent damage to the device. These are stress ratings only, and functional operation of the device at these or any other conditions beyond those indicated under “recommended operating conditions” is not implied. Exposure to absolute-maximum-rated conditions for extended periods may affect device reliability.

‡ All voltages are tied to network ground.

DISSIPATION RATING TABLE

PACKAGE	AIR FLOW (CFM)	T _A ≤ 25°C	DERATING FACTOR	T _A = 70°C	T _A = 85°C
PWP§	0	3.067 W	30.67 mW/°C	1.687 W	1.227 W
	250	4.115 W	41.15 mW/°C	2.265 W	1.646 W

§ This parameter is measured with the recommended copper heat sink pattern on a 4-layer PCB, 1 oz. copper on 4-in × 4-in ground layer. For more information, refer to T1 technical brief SLMA002.

recommended operating conditions

	MIN	MAX	UNIT
Input voltage, V _I ††	2.7	6	V
Output current, I _O (regulator 1)	0	500	mA
Output current, I _O (regulator 2)	0	250	mA
Output voltage range (for adjustable option)	1.22	5.5	V
Operating virtual junction temperature, T _J	-40	125	°C

†† To calculate the minimum input voltage for maximum output current, use the following equation: V_{I(min)} = V_{O(max)} + V_{DO(max load)}.

TPS70245, TPS70248, TPS70251, TPS70258, TPS70202
DUAL-OUTPUT LOW-DROPOUT VOLTAGE REGULATORS
WITH INTEGRATED SVS FOR SPLIT VOLTAGE SYSTEMS

SLVS286A – JUNE 2000 – REVISED JULY 2000

electrical characteristics over recommended operating junction temperature ($T_J = -40^\circ\text{C}$ to 125°C)
 V_{IN1} or $V_{IN2} = V_{O(nom)} + 1\text{ V}$, $I_O = 1\text{ mA}$, $EN1 = 0$, $EN2 = 0$, $C_O = 33\ \mu\text{F}$ (unless otherwise noted)

PARAMETER		TEST CONDITIONS	MIN	TYP	MAX	UNIT
V_O	Reference voltage	$2.7\text{ V} < V_{IN} < 6\text{ V}$ $T_J = 25^\circ\text{C}$		1.22		V
		$2.7\text{ V} < V_{IN} < 6\text{ V}$, FB connected to V_O	1.196		1.244	
	1.2 V output	$2.7\text{ V} < V_I < 6\text{ V}$, $T_J = 25^\circ\text{C}$		1.2		
		$2.7\text{ V} < V_I < 6\text{ V}$	1.176		1.224	
	1.5 V output	$2.7\text{ V} < V_I < 6\text{ V}$, $T_J = 25^\circ\text{C}$		1.5		
		$2.7\text{ V} < V_I < 6\text{ V}$	1.47		1.53	
	1.8 V output	$2.8\text{ V} < V_I < 6\text{ V}$, $T_J = 25^\circ\text{C}$		1.8		
		$2.8\text{ V} < V_I < 6\text{ V}$	1.764		1.836	
	2.5 V output	$3.5\text{ V} < V_I < 6\text{ V}$, $T_J = 25^\circ\text{C}$		2.5		
		$3.5\text{ V} < V_I < 6\text{ V}$	2.45		2.55	
3.3 V output	$4.3\text{ V} < V_I < 6\text{ V}$, $T_J = 25^\circ\text{C}$		3.3			
	$4.3\text{ V} < V_I < 6\text{ V}$	3.234		3.366		
Quiescent current (I_{GND} current) for regulator 1 and regulator 2, $EN1 = EN2 = 0\text{ V}$, (see Note 1)		See Note 3, $T_J = 25^\circ\text{C}$		190		μA
		See Note 3			230	
Output voltage line regulation ($\Delta V_O/V_O$) for regulator 1 and regulator 2 (see Note 2)		$V_O + 1\text{ V} < V_I \leq 6\text{ V}$, $T_J = 25^\circ\text{C}$, See Note 1		0.01%		V
		$V_O + 1\text{ V} < V_I \leq 6\text{ V}$, See Note 1			0.1%	
Load regulation for V_{OUT1} and V_{OUT2}		$T_J = 25^\circ\text{C}$		1		mV
V_n	Output noise voltage	Regulator 1		65		μVrms
		Regulator 2	BW = 300 Hz to 50 kHz, $C_O = 33\ \mu\text{F}$, $T_J = 25^\circ\text{C}$		65	
Output current limit		Regulator 1		1.6	1.9	A
		Regulator 2	$V_O = 0\text{ V}$	0.750	1	
Thermal shutdown junction temperature				150		$^\circ\text{C}$
$I_{I(\text{standby})}$	Standby current	Regulator 1 and Regulator 2	$EN1 = V_I$, $EN2 = V_I$, $T_J = 25^\circ\text{C}$		2	μA
			$EN1 = V_I$, $EN2 = V_I$		6	
PSRR	Power supply ripple rejection	Regulator 1	$f = 1\text{ kHz}$, $C_O = 33\ \mu\text{F}$, $I_{OUT1} = 500\text{ mA}$, $T_J = 25^\circ\text{C}$, See Note 1		60	dB
		Regulator 2	$f = 1\text{ kHz}$, $C_O = 33\ \mu\text{F}$, $I_{OUT2} = 250\text{ mA}$, $T_J = 25^\circ\text{C}$, See Note 1		50	
UVLO threshold				2.4	2.65	V

NOTES: 1. Minimum input operating voltage is 2.7 V or $V_{O(\text{typ})} + 1\text{ V}$, whichever is greater. Maximum input voltage = 6 V, minimum output current 1 mA.

2. If $V_O < 1.8\text{ V}$ then $V_{I\text{max}} = 6\text{ V}$, $V_{I\text{min}} = 2.7\text{ V}$:

$$\text{Line regulation (mV)} = (\%/V) \times \frac{V_O(V_{I\text{max}} - 2.7\text{ V})}{100} \times 1000$$

If $V_O > 2.5\text{ V}$ then $V_{I\text{max}} = 6\text{ V}$, $V_{I\text{min}} = V_O + 1\text{ V}$:

$$\text{Line regulation (mV)} = (\%/V) \times \frac{V_O(V_{I\text{max}} - (V_O + 1))}{100} \times 1000$$

3. $I_O = 1\text{ mA}$ to 500 mA for regulator 1 and 1 mA to 250 mA for regulator 2.

TPS70245, TPS70248, TPS70251, TPS70258, TPS70202
DUAL-OUTPUT LOW-DROPOUT VOLTAGE REGULATORS
WITH INTEGRATED SVS FOR SPLIT VOLTAGE SYSTEMS

SLVS286A – JUNE 2000 – REVISED JULY 2000

electrical characteristics over recommended operating junction temperature ($T_J = -40^{\circ}\text{C}$ to 125°C)
 V_{IN1} or $V_{IN2} = V_{O(nom)} + 1\text{ V}$, $I_O = 1\text{ mA}$, $\overline{EN1} = 0$, $\overline{EN2} = 0$, $C_O = 33\text{ }\mu\text{F}$ (unless otherwise noted)
(continued)

PARAMETER	TEST CONDITIONS	MIN	TYP	MAX	UNIT
RESET terminal					
Minimum input voltage for valid $\overline{\text{RESET}}$	$I_{(\text{RESET})} = 300\text{ }\mu\text{A}$, $V_{(\text{RESET})} \leq 0.8\text{ V}$		1.0	1.3	V
$t_{(\text{RESET})}$	$\overline{\text{RESET}}$ pulse duration	80	120	160	ms
Output low voltage	$V_I = 3.5\text{ V}$, $I_{(\text{RESET})} = 1\text{ mA}$		0.15	0.4	V
Leakage current	$V_{(\text{RESET})} = 6\text{ V}$			1	μA
PG1/PG2 terminal					
Minimum input voltage for valid PGx	$I_{(\text{PGx})} = 300\text{ }\mu\text{A}$, $V_{(\text{PGx})} \leq 0.8\text{ V}$		1.0	1.3	V
Trip threshold voltage	V_O decreasing	92%	95%	98%	V_O
Hysteresis voltage	Measured at V_O		0.5%		V_O
$t_r(\text{PGx})$	Rising edge deglitch		30		μs
Output low voltage	$V_I = 2.7\text{ V}$, $I_{(\text{PGx})} = 1\text{ mA}$		0.15	0.4	V
Leakage current	$V_{(\text{PGx})} = 6\text{ V}$			1	μA
EN1/EN2 terminal					
High-level $\overline{\text{ENx}}$ input voltage		2			V
Low-level $\overline{\text{ENx}}$ input voltage				0.7	V
Input current ($\overline{\text{ENx}}$)		-1		1	μA
MR terminal					
High-level input voltage		2			V
Low-level input voltage				0.7	V
Pullup current source			6		μA
V_{OUT1} terminal					
Dropout voltage (see Note 4)	$I_O = 500\text{ mA}$, $V_{IN1} = 3.2\text{ V}$, $T_J = 25^{\circ}\text{C}$		170		mV
	$I_O = 500\text{ mA}$, $V_{IN1} = 3.2\text{ V}$			275	
Peak output current	2 ms pulse width		750		mA
Discharge transistor current	$V_{OUT1} = 1.5\text{ V}$		7.5		mA
V_{OUT2} terminal					
Peak output current	2 ms pulse width		375		mA
Discharge transistor current	$V_{OUT2} = 1.5\text{ V}$		7.5		mA
FB terminal					
Input current – TPS70202	FB = 1.8 V		1		μA

NOTE 4: Input voltage (V_{IN1} or V_{IN2}) = $V_O(\text{Typ}) - 100\text{ mV}$. For the 1.5 V, 1.8 V and 2.5 V regulators, the dropout voltage is limited by input voltage range. The 3.3 V regulator input voltage is to 3.2 V to perform this test.

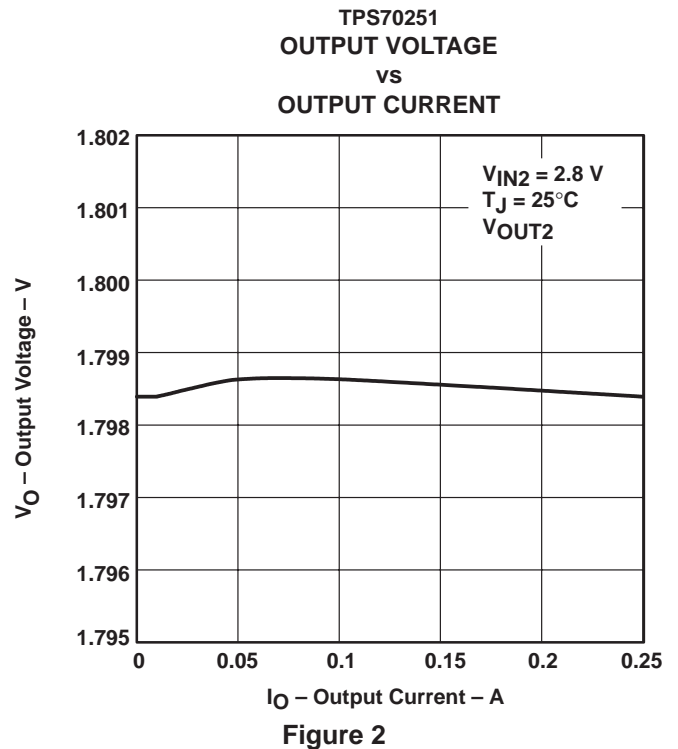
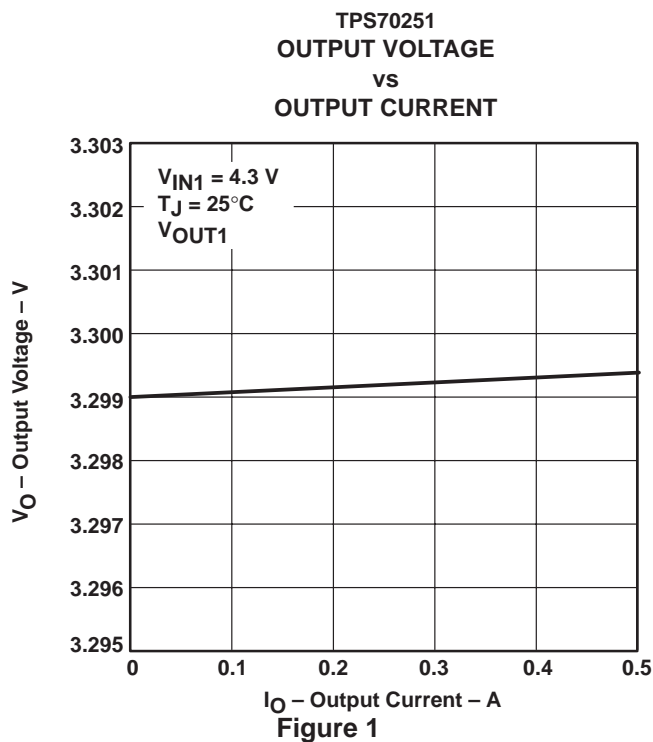
TPS70245, TPS70248, TPS70251, TPS70258, TPS70202 DUAL-OUTPUT LOW-DROPOUT VOLTAGE REGULATORS WITH INTEGRATED SVS FOR SPLIT VOLTAGE SYSTEMS

SLVS286A – JUNE 2000 – REVISED JULY 2000

TYPICAL CHARACTERISTICS

Table of Graphs

			FIGURE
V_O	Output voltage	vs Output current	1 – 3
		vs Junction temperature	4 – 5
	Ground current	vs Junction temperature	6
PSRR	Power supply rejection ratio	vs Frequency	7 – 10
	Output spectral noise density	vs Frequency	11 – 14
Z_O	Output impedance	vs Frequency	15 – 18
		Dropout voltage	vs Temperature
		vs Input voltage	21, 22
	Load transient response		23, 24
	Line transient response (V_{OUT1})		25
	Line transient response (V_{OUT2})		26
V_O	Output voltage	vs Time (start-up)	27, 28
	Equivalent series resistance (ESR)	vs Output current	30 – 33



TPS70245, TPS70248, TPS70251, TPS70258, TPS70202 DUAL-OUTPUT LOW-DROPOUT VOLTAGE REGULATORS WITH INTEGRATED SVS FOR SPLIT VOLTAGE SYSTEMS

SLVS286A – JUNE 2000 – REVISED JULY 2000

TYPICAL CHARACTERISTICS

TPS70245
OUTPUT VOLTAGE
vs
OUTPUT CURRENT

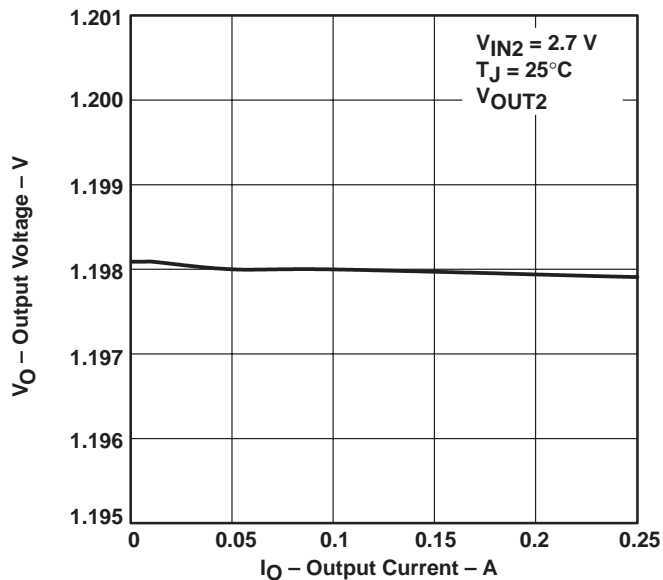


Figure 3

TPS70251
OUTPUT VOLTAGE
vs
JUNCTION TEMPERATURE

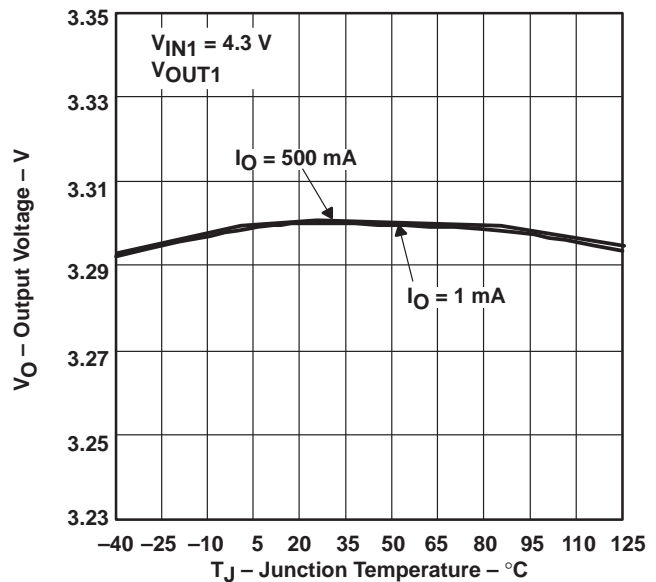


Figure 4

TPS70251
OUTPUT VOLTAGE
vs
JUNCTION TEMPERATURE

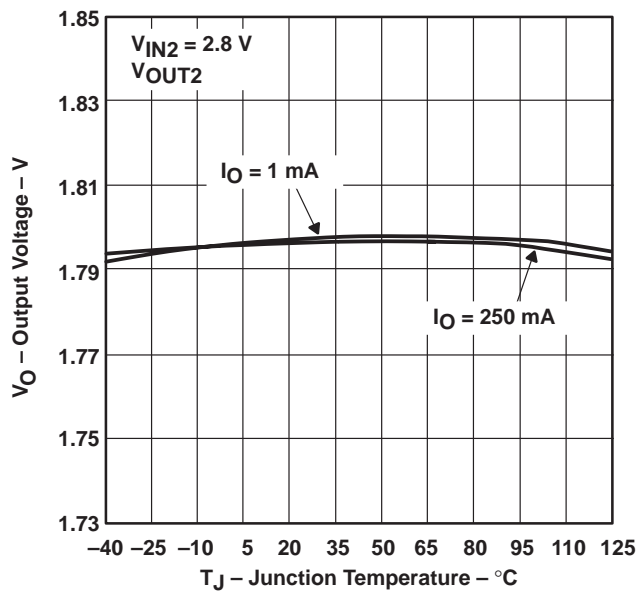


Figure 5

GROUND CURRENT
vs
JUNCTION TEMPERATURE

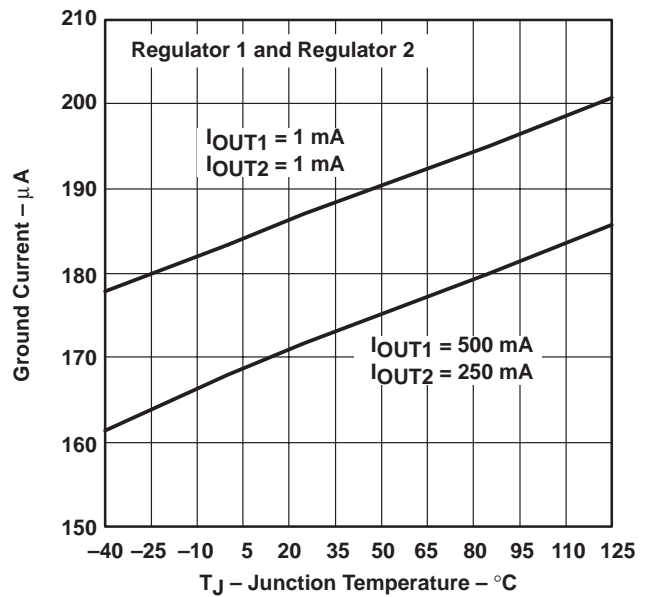


Figure 6

TPS70245, TPS70248, TPS70251, TPS70258, TPS70202
 DUAL-OUTPUT LOW-DROPOUT VOLTAGE REGULATORS
 WITH INTEGRATED SVS FOR SPLIT VOLTAGE SYSTEMS

SLVS286A – JUNE 2000 – REVISED JULY 2000

TYPICAL CHARACTERISTICS

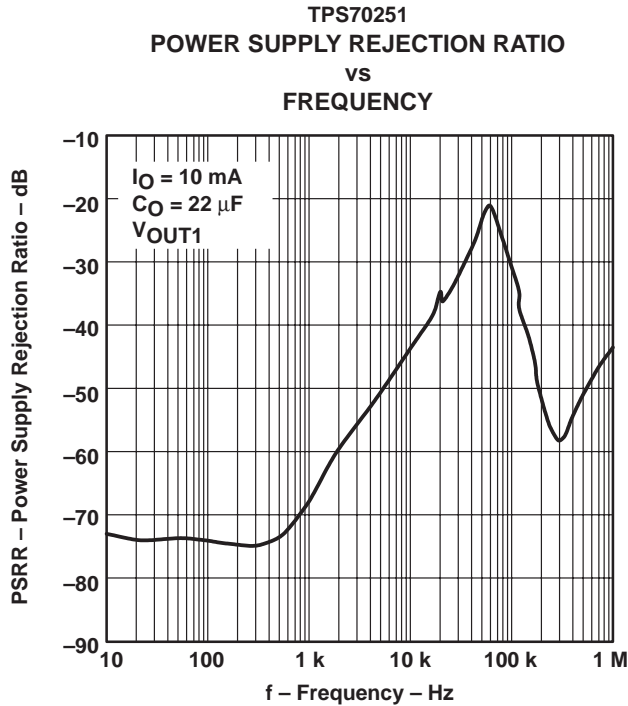


Figure 7

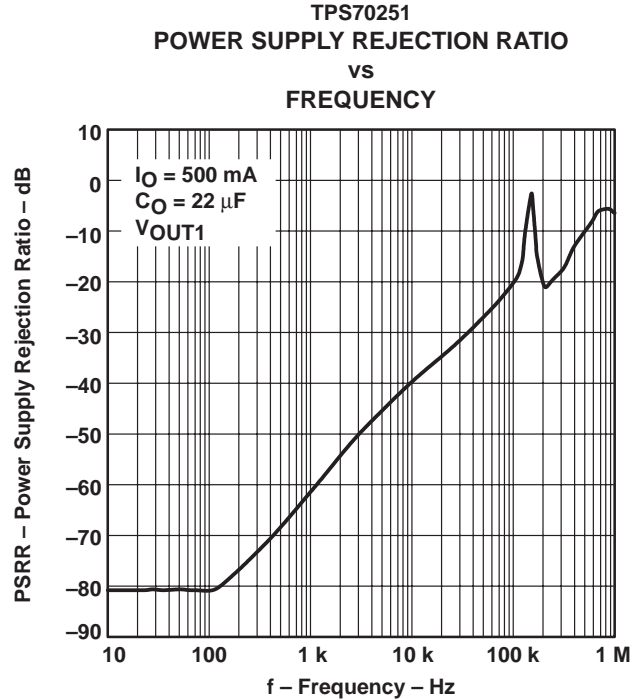


Figure 8

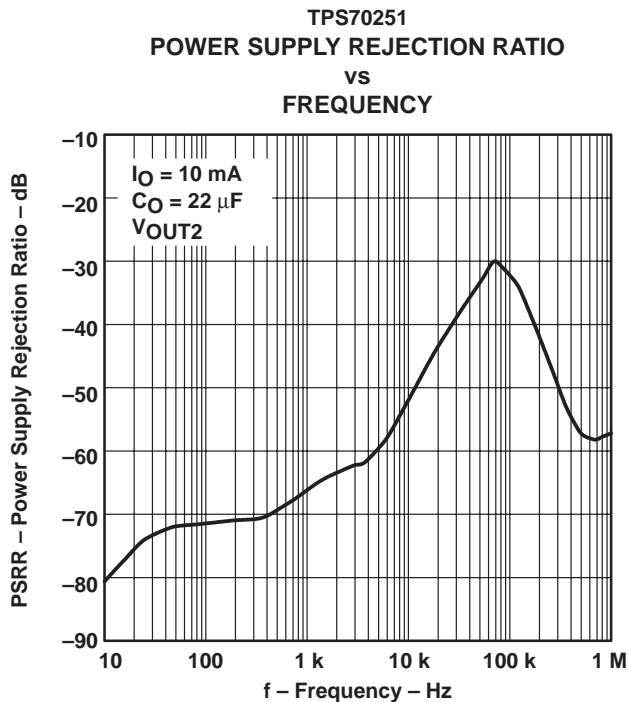


Figure 9

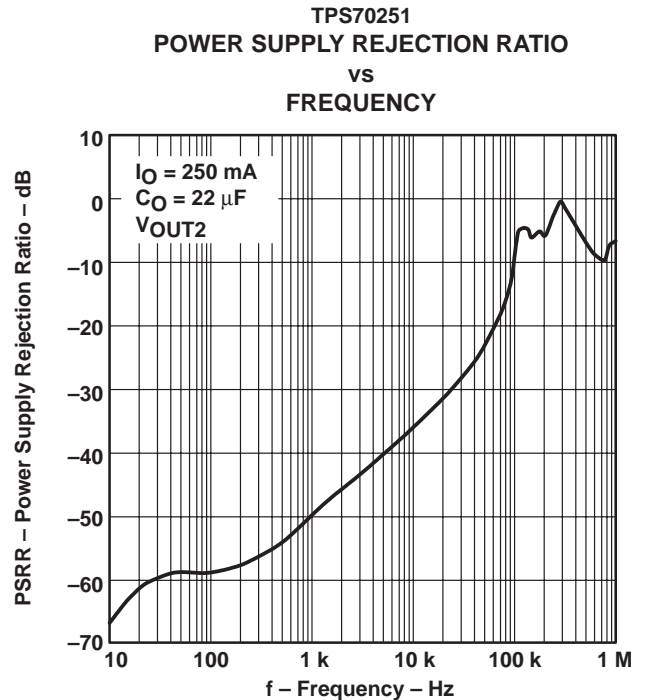


Figure 10

TPS70245, TPS70248, TPS70251, TPS70258, TPS70202
DUAL-OUTPUT LOW-DROPOUT VOLTAGE REGULATORS
WITH INTEGRATED SVS FOR SPLIT VOLTAGE SYSTEMS

SLVS286A – JUNE 2000 – REVISED JULY 2000

TYPICAL CHARACTERISTICS

OUTPUT SPECTRAL NOISE DENSITY
vs
FREQUENCY

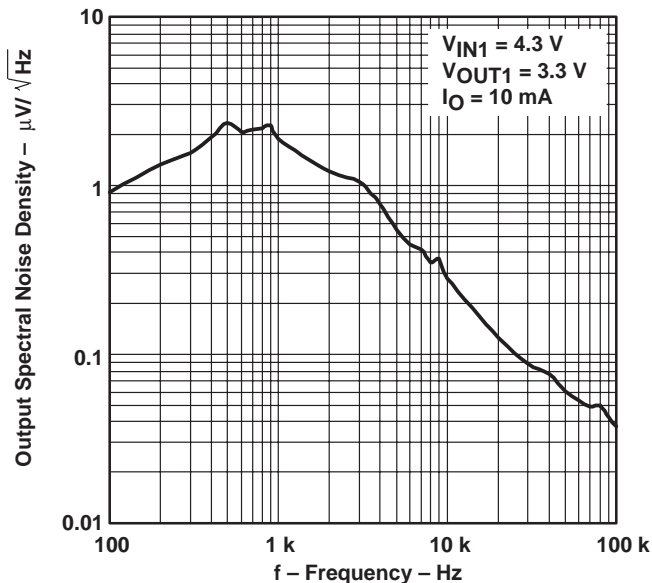


Figure 11

OUTPUT SPECTRAL NOISE DENSITY
vs
FREQUENCY

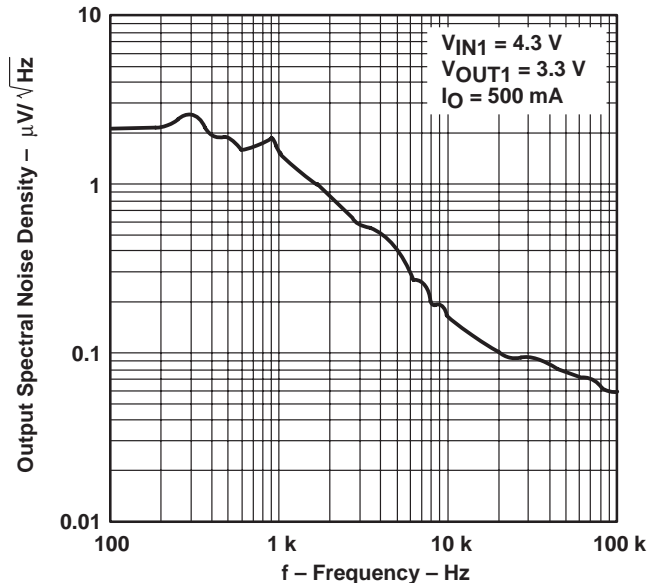


Figure 12

OUTPUT SPECTRAL NOISE DENSITY
vs
FREQUENCY

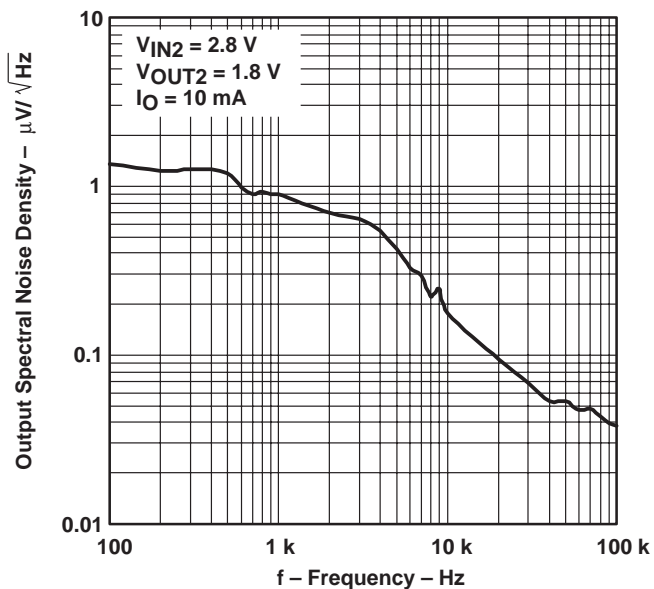


Figure 13

OUTPUT SPECTRAL NOISE DENSITY
vs
FREQUENCY

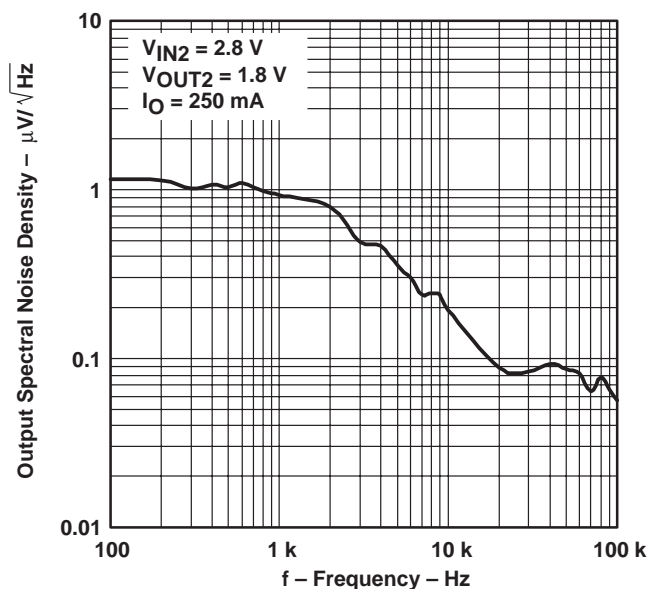


Figure 14

TPS70245, TPS70248, TPS70251, TPS70258, TPS70202
 DUAL-OUTPUT LOW-DROPOUT VOLTAGE REGULATORS
 WITH INTEGRATED SVS FOR SPLIT VOLTAGE SYSTEMS

SLVS286A – JUNE 2000 – REVISED JULY 2000

TYPICAL CHARACTERISTICS

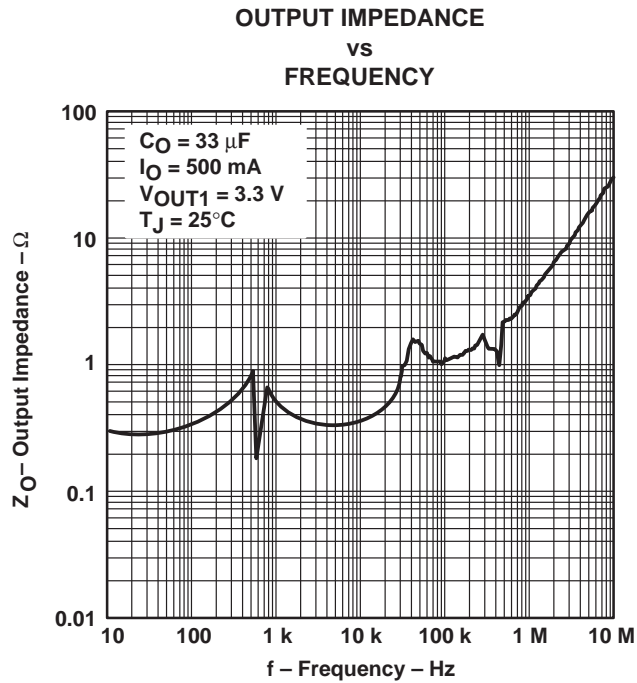


Figure 15

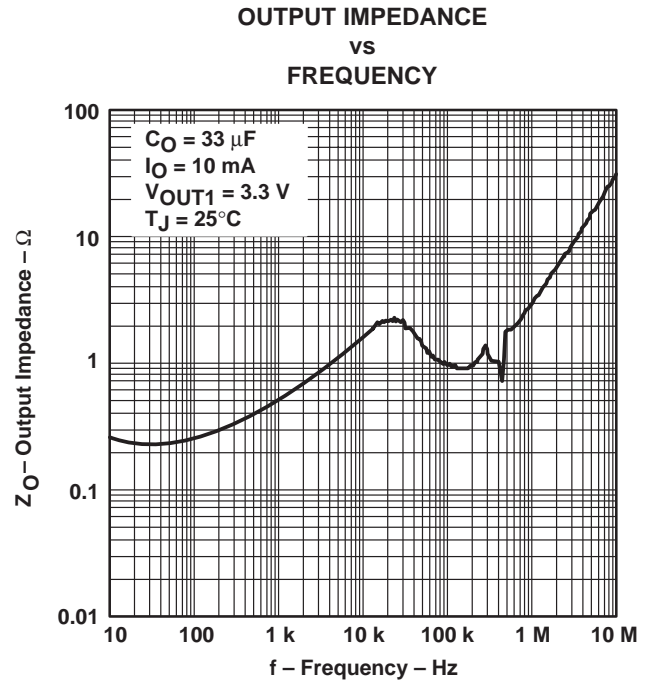


Figure 16

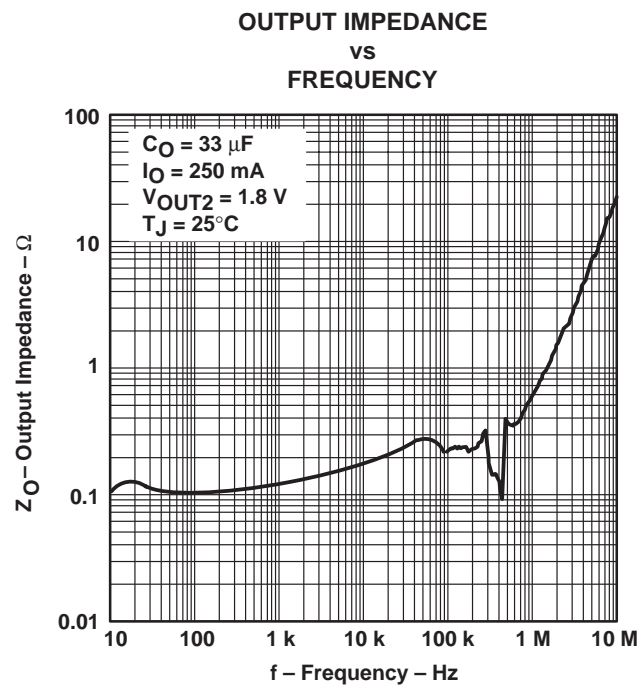


Figure 17

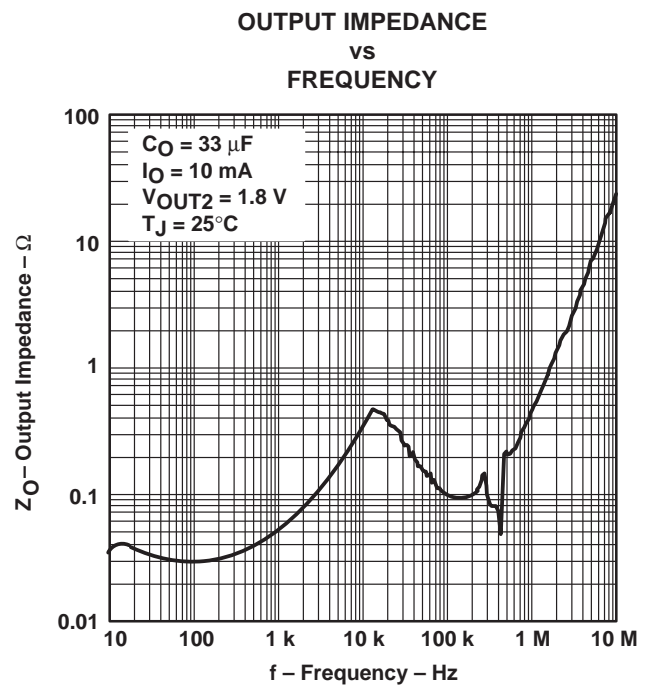


Figure 18

TPS70245, TPS70248, TPS70251, TPS70258, TPS70202
DUAL-OUTPUT LOW-DROPOUT VOLTAGE REGULATORS
WITH INTEGRATED SVS FOR SPLIT VOLTAGE SYSTEMS

SLVS286A – JUNE 2000 – REVISED JULY 2000

TYPICAL CHARACTERISTICS

DROPOUT VOLTAGE vs TEMPERATURE

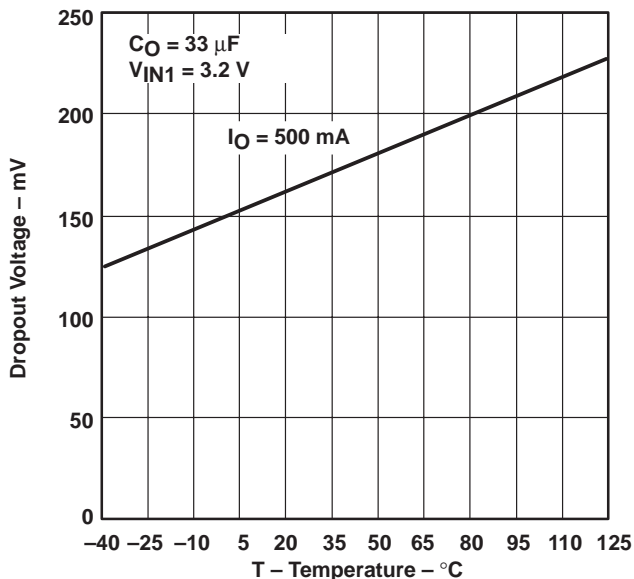


Figure 19

DROPOUT VOLTAGE vs TEMPERATURE

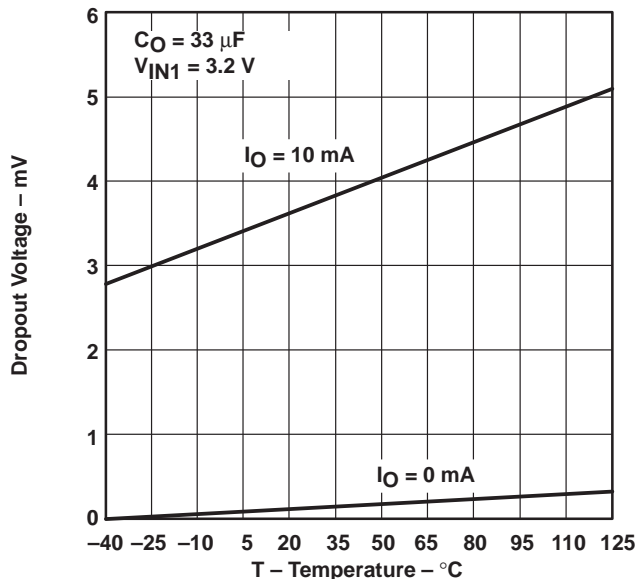


Figure 20

TPS70202 DROPOUT VOLTAGE vs INPUT VOLTAGE

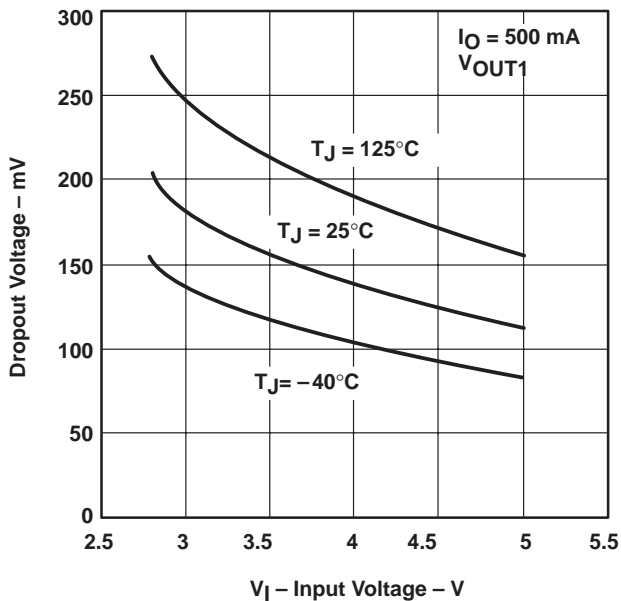


Figure 21

TPS70202 DROPOUT VOLTAGE vs INPUT VOLTAGE

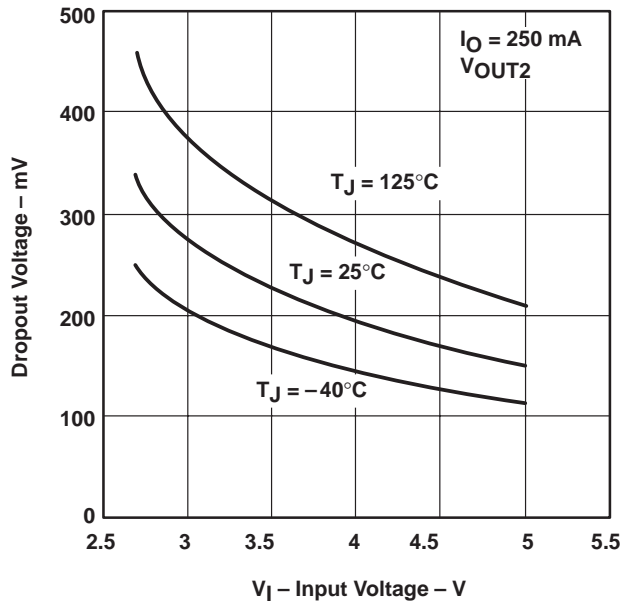


Figure 22

TPS70245, TPS70248, TPS70251, TPS70258, TPS70202
 DUAL-OUTPUT LOW-DROPOUT VOLTAGE REGULATORS
 WITH INTEGRATED SVS FOR SPLIT VOLTAGE SYSTEMS

SLVS286A – JUNE 2000 – REVISED JULY 2000

TYPICAL CHARACTERISTICS

LOAD TRANSIENT RESPONSE

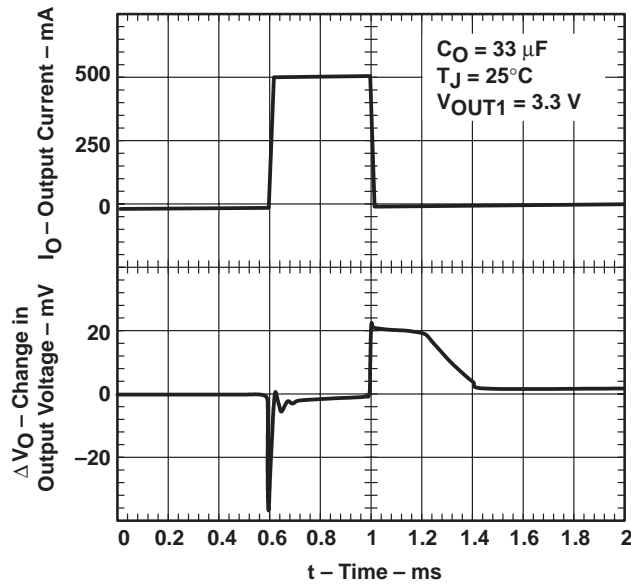


Figure 23

LOAD TRANSIENT RESPONSE

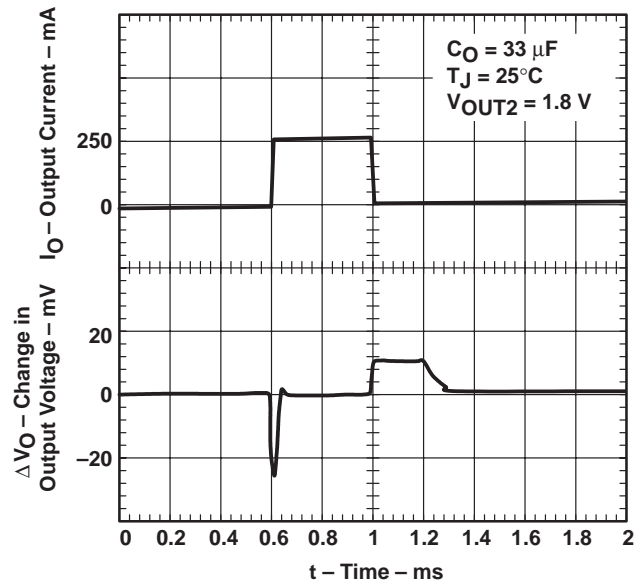


Figure 24

LINE TRANSIENT RESPONSE

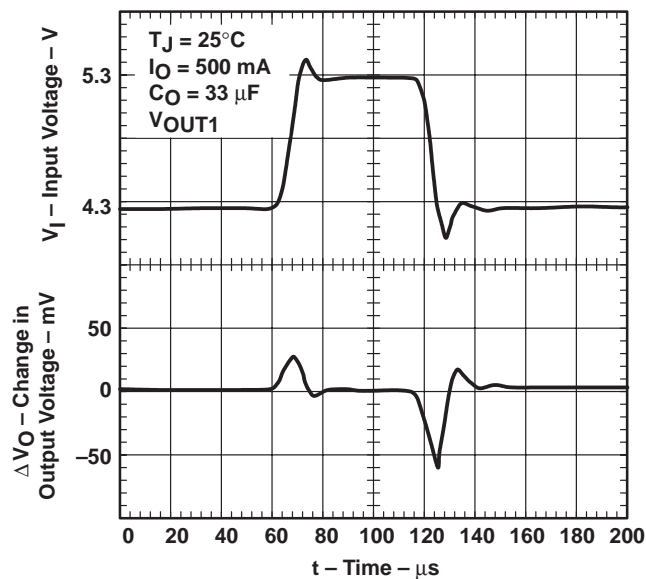


Figure 25

LINE TRANSIENT RESPONSE

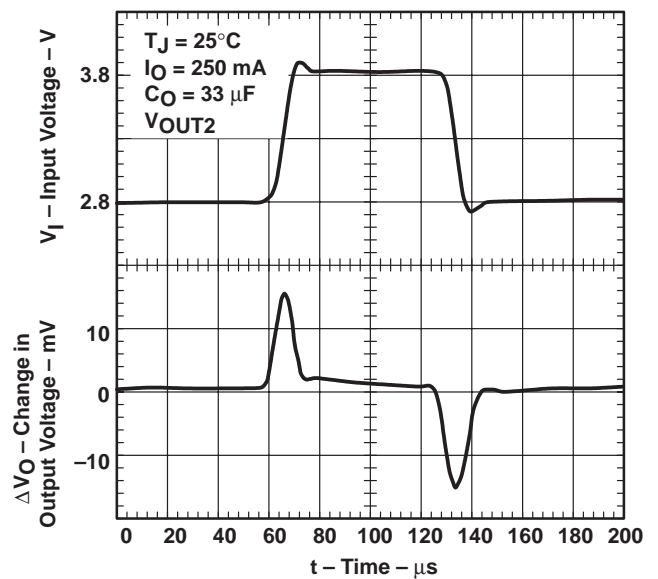


Figure 26

TPS70245, TPS70248, TPS70251, TPS70258, TPS70202 DUAL-OUTPUT LOW-DROPOUT VOLTAGE REGULATORS WITH INTEGRATED SVS FOR SPLIT VOLTAGE SYSTEMS

SLVS286A – JUNE 2000 – REVISED JULY 2000

TYPICAL CHARACTERISTICS

OUTPUT VOLTAGE
vs
TIME (START-UP)

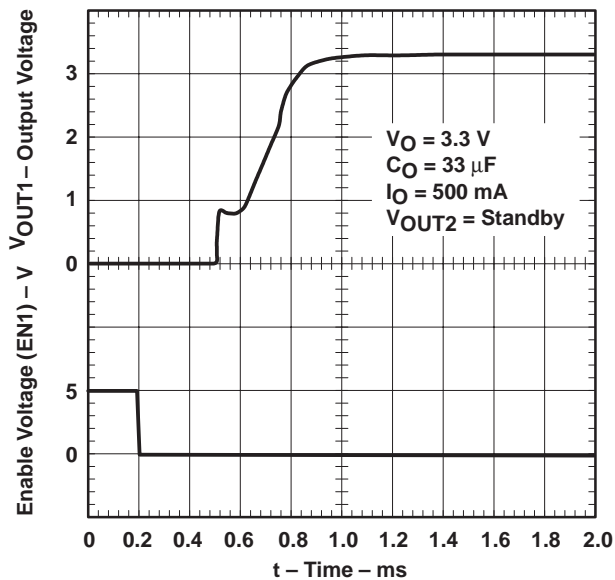


Figure 27

OUTPUT VOLTAGE
vs
TIME (START-UP)

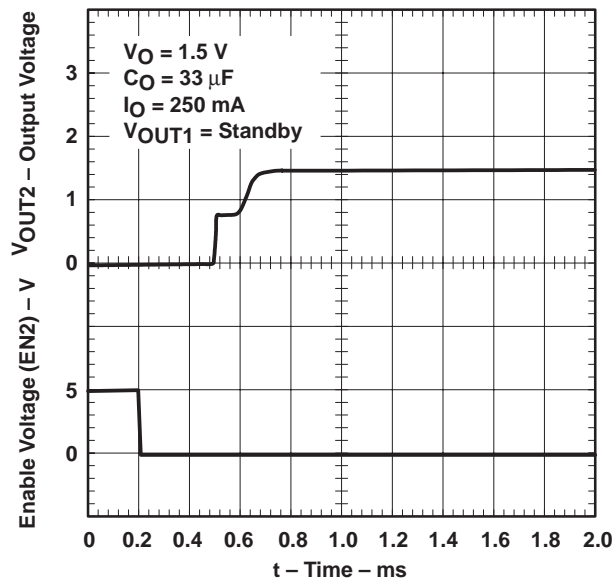


Figure 28

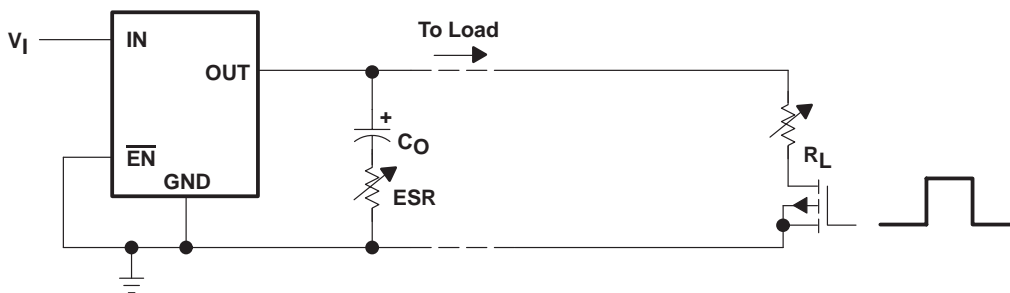


Figure 29. Test Circuit for Typical Regions of Stability

† Equivalent series resistance (ESR) refers to the total series resistance, including the ESR of the capacitor, any series resistance added externally, and PWB trace resistance to C_{O} .

TPS70245, TPS70248, TPS70251, TPS70258, TPS70202 DUAL-OUTPUT LOW-DROPOUT VOLTAGE REGULATORS WITH INTEGRATED SVS FOR SPLIT VOLTAGE SYSTEMS

SLVS286A – JUNE 2000 – REVISED JULY 2000

TYPICAL CHARACTERISTICS

TYPICAL REGION OF STABILITY
EQUIVALENT SERIES RESISTANCE†
vs
OUTPUT CURRENT

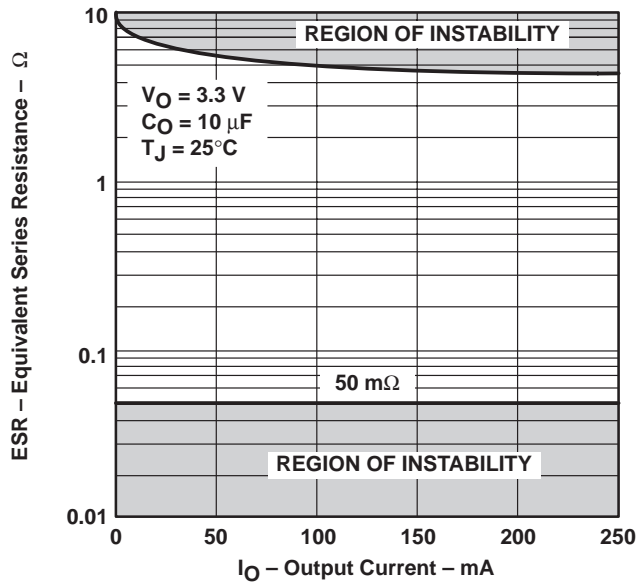


Figure 30

TYPICAL REGION OF STABILITY
EQUIVALENT SERIES RESISTANCE†
vs
OUTPUT CURRENT

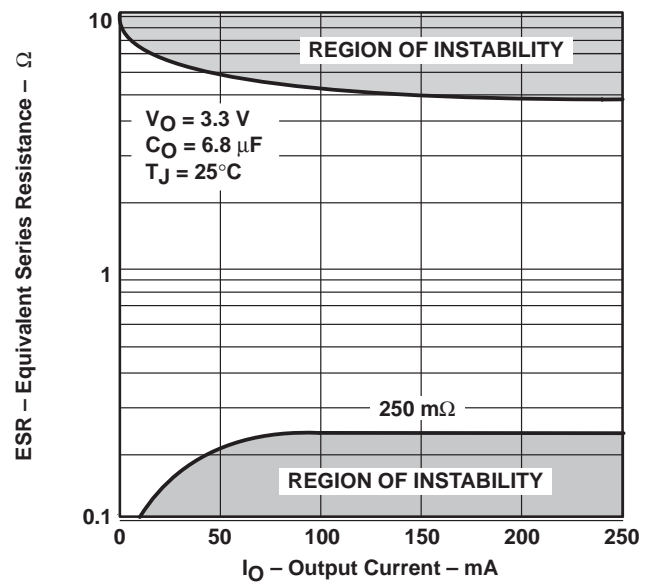


Figure 31

TYPICAL REGION OF STABILITY
EQUIVALENT SERIES RESISTANCE†
vs
OUTPUT CURRENT

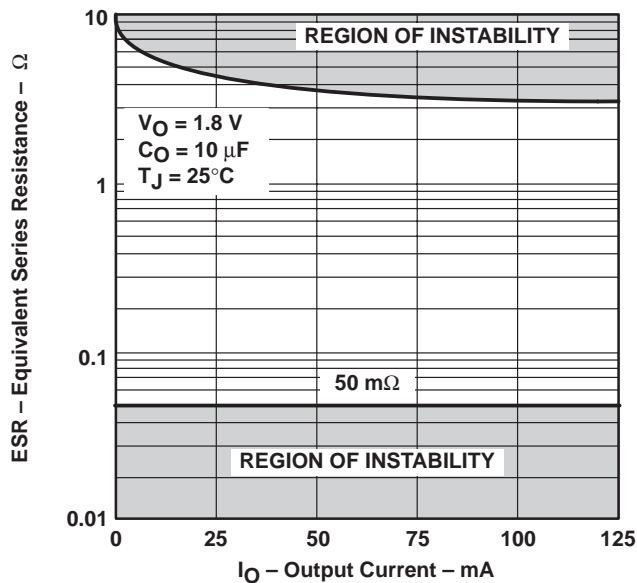


Figure 32

TYPICAL REGION OF STABILITY
EQUIVALENT SERIES RESISTANCE†
vs
OUTPUT CURRENT

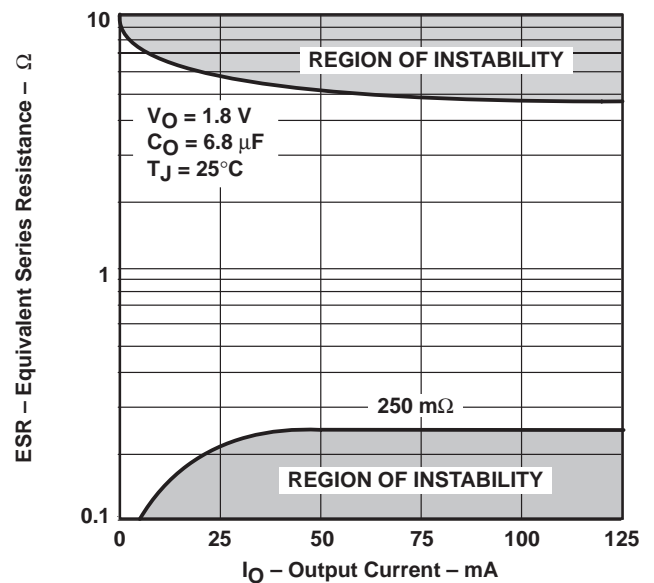


Figure 33

† Equivalent series resistance (ESR) refers to the total series resistance, including the ESR of the capacitor, any series resistance added externally, and PWB trace resistance to C_O .

TPS70245, TPS70248, TPS70251, TPS70258, TPS70202 DUAL-OUTPUT LOW-DROPOUT VOLTAGE REGULATORS WITH INTEGRATED SVS FOR SPLIT VOLTAGE SYSTEMS

SLVS286A – JUNE 2000 – REVISED JULY 2000

APPLICATION INFORMATION

timing diagrams

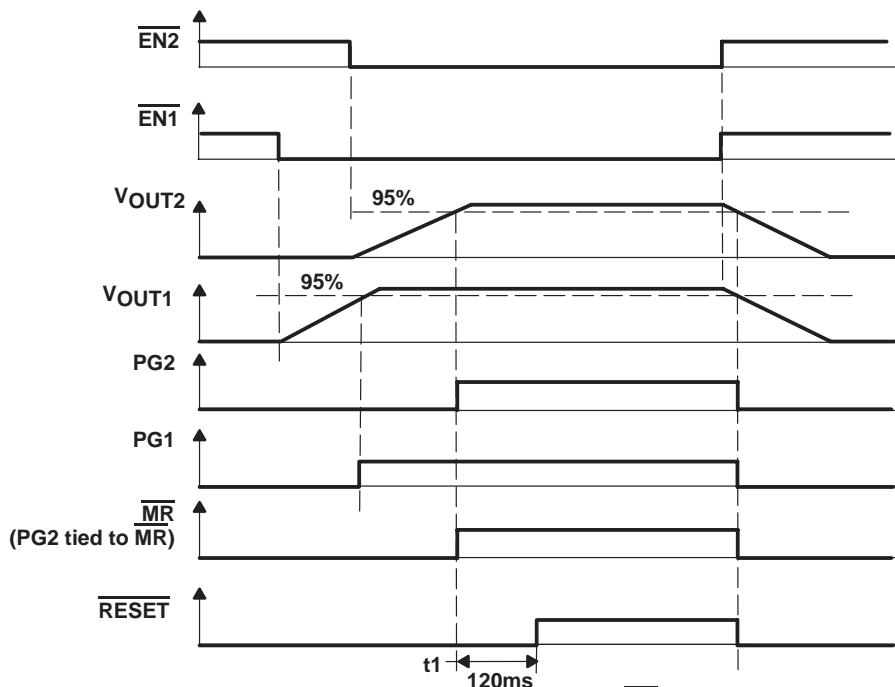
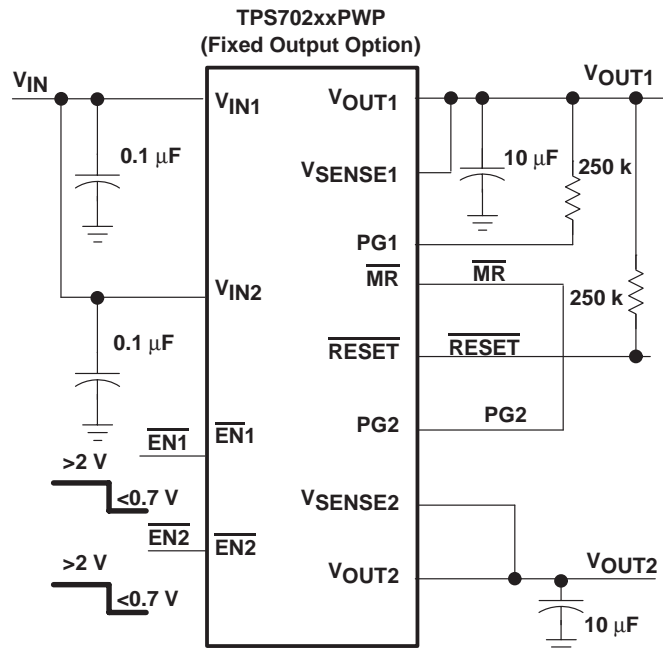
The following figures provide a timing diagram of how this device functions in different configurations.

application conditions not shown in block diagram:

V_{IN1} and V_{IN2} are tied to the same fixed input voltage greater than the V_{UVLO} . PG2 is tied to \overline{MR} .

explanation of timing diagrams:

$\overline{EN1}$ and $\overline{EN2}$ are initially high; therefore, both regulators are off, and PG1 and PG2 (tied to \overline{MR}) are at logic low. Since \overline{MR} is at logic low, \overline{RESET} is also at logic low. When $\overline{EN1}$ is taken to logic low, V_{OUT1} turns on. Later, when $\overline{EN2}$ is taken to logic low, V_{OUT2} turns on. When V_{OUT1} reaches 95% of its regulated output voltage, PG1 goes to logic high. When V_{OUT2} reaches 95% of its regulated output voltage, PG2 (tied to \overline{MR}) goes to logic high. When V_{IN1} is greater than V_{UVLO} and \overline{MR} (tied to PG2) is at logic high, \overline{RESET} is pulled to logic high after a 120 ms delay. When $\overline{EN1}$ and $\overline{EN2}$ are returned to logic high, both devices power down and both PG1, PG2 (tied to \overline{MR}), and \overline{RESET} return to logic low.



- NOTES: A. t_1 – Time at which V_{IN} is greater than V_{UVLO} and \overline{MR} is logic high.
B. The timing diagrams are not drawn to scale.

Figure 34. Timing When V_{OUT1} Is Enabled Before V_{OUT2}

TPS70245, TPS70248, TPS70251, TPS70258, TPS70202 DUAL-OUTPUT LOW-DROPOUT VOLTAGE REGULATORS WITH INTEGRATED SVS FOR SPLIT VOLTAGE SYSTEMS

SLVS286A – JUNE 2000 – REVISED JULY 2000

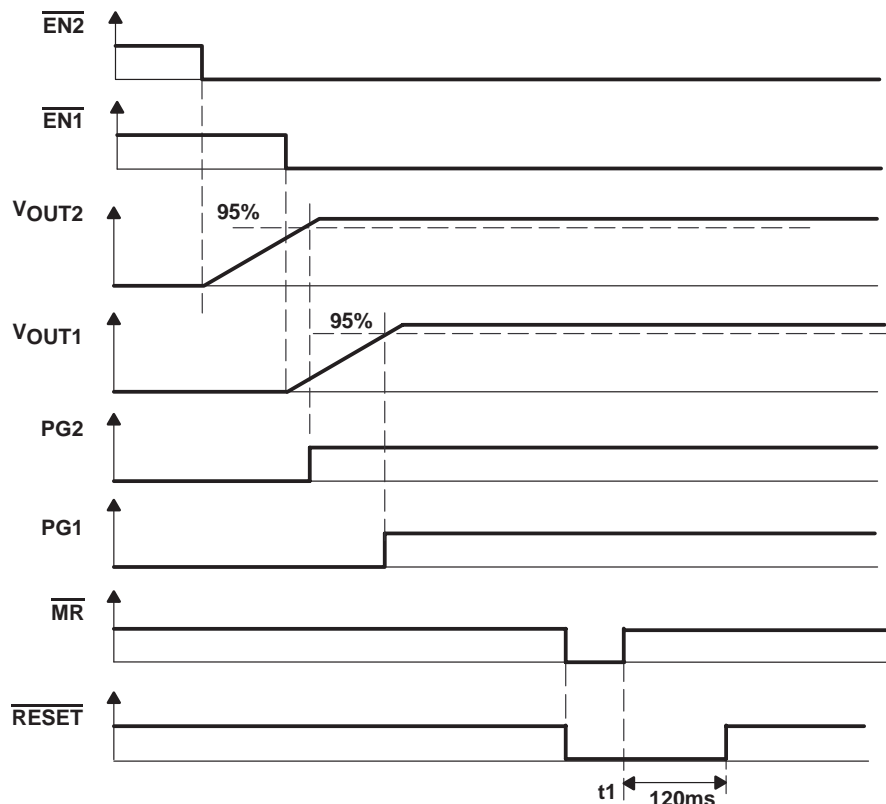
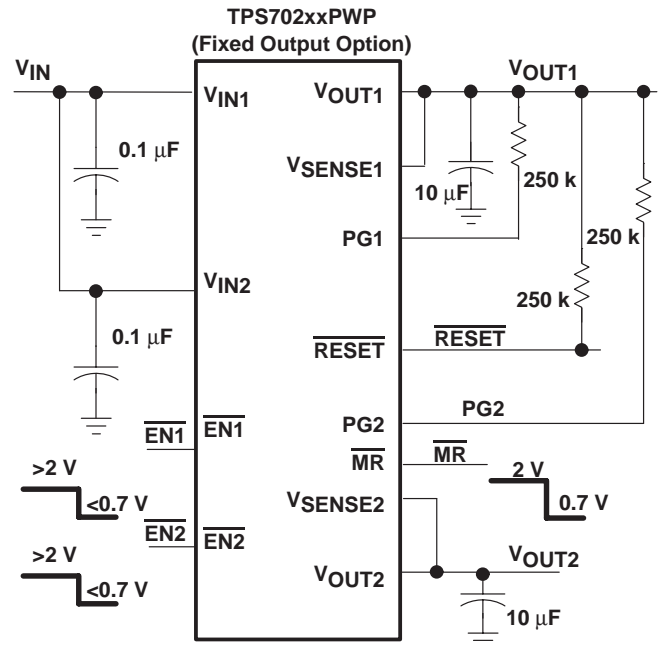
APPLICATION INFORMATION

application conditions not shown in block diagram:

V_{IN1} and V_{IN2} are tied to the same fixed input voltage greater than V_{UVLO} . \overline{MR} is initially logic high but is eventually toggled.

explanation of timing diagrams:

$\overline{EN1}$ and $\overline{EN2}$ are initially high; therefore, both regulators are off, and PG1 and PG2 are at logic low. Since V_{IN1} is greater than V_{UVLO} and \overline{MR} is at logic high, \overline{RESET} is also at logic high. When $\overline{EN2}$ is taken to logic low, V_{OUT2} turns on. Later, when $\overline{EN1}$ is taken to logic low, V_{OUT1} turns on. When V_{OUT2} reaches 95% of its regulated output voltage, PG2 goes to logic high. When V_{OUT1} reaches 95% of its regulated output voltage, PG1 goes to logic high. When \overline{MR} is taken to logic low, \overline{RESET} is taken low. When \overline{MR} returns to logic high, \overline{RESET} returns to logic high after a 120 ms delay.



- NOTES: A. t_1 – Time at which V_{IN} is greater than V_{UVLO} and \overline{MR} is logic high.
B. The timing diagram is not drawn to scale.

Figure 35. Timing When \overline{MR} Is Toggled

TPS70245, TPS70248, TPS70251, TPS70258, TPS70202 DUAL-OUTPUT LOW-DROPOUT VOLTAGE REGULATORS WITH INTEGRATED SVS FOR SPLIT VOLTAGE SYSTEMS

SLVS286A – JUNE 2000 – REVISED JULY 2000

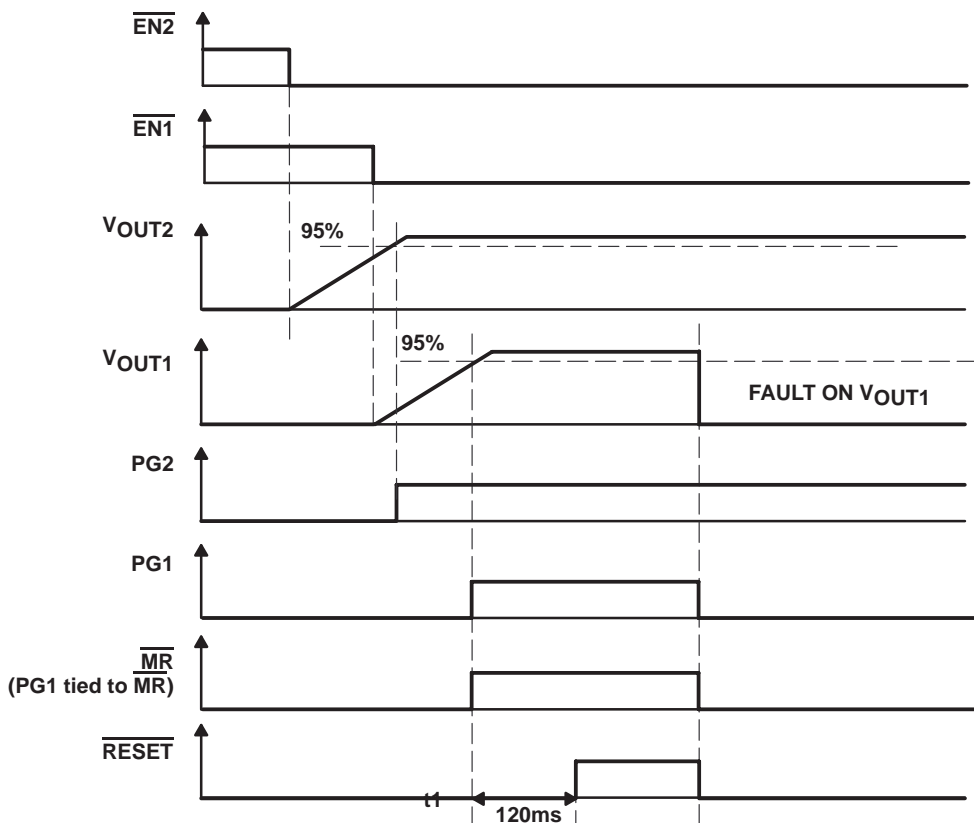
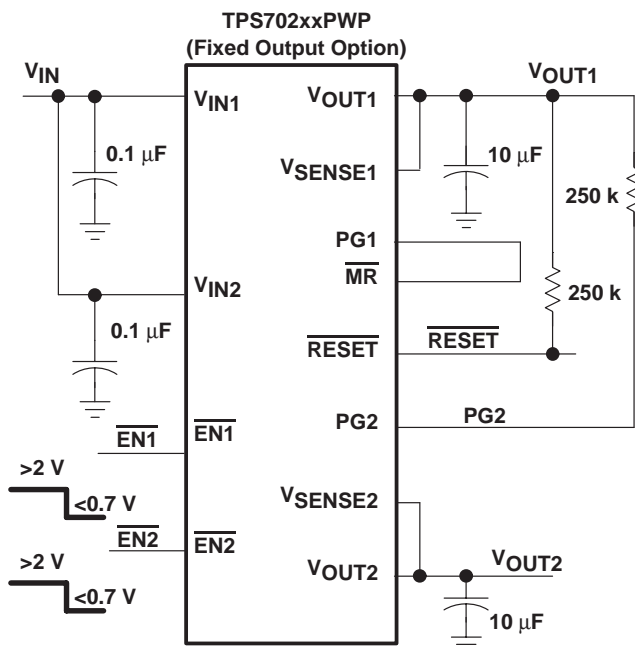
APPLICATION INFORMATION

application conditions not shown in block diagram:

V_{IN1} and V_{IN2} are tied to same fixed input voltage greater than V_{UVLO} . $\overline{PG1}$ is tied to \overline{MR} .

explanation of timing diagrams:

$\overline{EN1}$ and $\overline{EN2}$ are initially high; therefore, both regulators are off, and $\overline{PG1}$ (tied to \overline{MR}) and $\overline{PG2}$ are at logic low. Since \overline{MR} is at logic low, \overline{RESET} is also at logic low. When $\overline{EN2}$ is taken to logic low, V_{OUT2} turns on. Later, when $\overline{EN1}$ is taken to logic low, V_{OUT1} turns on. When V_{OUT2} reaches 95% of its regulated output voltage, $\overline{PG2}$ goes to logic high. When V_{OUT1} reaches 95% of its regulated output voltage, $\overline{PG1}$ goes to logic high. When V_{IN1} is greater than V_{UVLO} and \overline{MR} (tied to $\overline{PG2}$) is at logic high, \overline{RESET} is pulled to logic high after a 120 ms delay. When a fault on V_{OUT1} causes it to fall below 95% of its regulated output voltage, $\overline{PG1}$ (tied to \overline{MR}) goes to logic low. Since \overline{MR} is logic low, \overline{RESET} goes to logic low. V_{OUT2} is unaffected.



- NOTES: A. t_1 – Time at which V_{IN} is greater than V_{UVLO} and \overline{MR} is logic high.
B. The timing diagram is not drawn to scale.

Figure 36. Timing When There Is a Fault on V_{OUT1}

TPS70245, TPS70248, TPS70251, TPS70258, TPS70202 DUAL-OUTPUT LOW-DROPOUT VOLTAGE REGULATORS WITH INTEGRATED SVS FOR SPLIT VOLTAGE SYSTEMS

SLVS286A – JUNE 2000 – REVISED JULY 2000

APPLICATION INFORMATION

input capacitor

For a typical application, an input bypass capacitor ($0.1\ \mu\text{F} - 1\ \mu\text{F}$) is recommended. This capacitor will filter any high frequency noise generated in the line. For fast transient condition where droop at the input of the LDO may occur due to high inrush current, it is recommended to place a larger capacitor at the input as well. The size of this capacitor is dependant on the output current and response time of the main power supply, as well as the distance to the V_I pins of the LDO.

output capacitor

As with most LDO regulators, the TPS702xx requires an output capacitor connected between OUT and GND to stabilize the internal control loop. The minimum recommended capacitance values are $10\ \mu\text{F}$ ceramic capacitors with an ESR (equivalent series resistance) between $50\text{-m}\Omega$ and $2.5\text{-}\Omega$ or $6.8\text{-}\mu\text{F}$ tantalum capacitors with ESR between $250\text{ m}\Omega$ and $4\ \Omega$. Solid tantalum electrolytic, aluminum electrolytic, and multilayer ceramic capacitors with capacitance values greater than $10\ \mu\text{F}$ are all suitable, provided they meet the requirements described above. Larger capacitors provide a wider range of stability and better load transient response. Below is a partial listing of surface-mount capacitors usable with the TPS702xx. for fast transient response application.

This information, along with the ESR graphs, is included to assist in selection of suitable capacitance for the user's application. When necessary to achieve low height requirements along with high output current and/or high load capacitance, several higher ESR capacitors can be used in parallel to meet the guidelines above.

VALUE	MFR.	MAX ESR†	PART NO.
$22\ \mu\text{F}$	Kemet	$345\text{ m}\Omega$	7495C226K0010AS
$33\ \mu\text{F}$	Sanyo	$100\text{ m}\Omega$	10TPA33M
$47\ \mu\text{F}$	Sanyo	$100\text{ m}\Omega$	6TPA47M
$68\ \mu\text{F}$	Sanyo	$45\text{ m}\Omega$	10TPC68M

ESR and transient response

LDOs typically require an external output capacitor for stability. In fast transient response applications, capacitors are used to support the load current while LDO amplifier is responding. In most applications, one capacitor is used to support both functions.

Besides its capacitance, every capacitor also contains parasitic impedances. These parasitic impedances are resistive as well as inductive. The resistive impedance is called equivalent series resistance (ESR), and the inductive impedance is called equivalent series inductance (ESL). The equivalent schematic diagram of any capacitor can therefore be drawn as shown in Figure 37.



Figure 37. ESR and ESL

In most cases one can neglect the effect of inductive impedance ESL. Therefore, the following application focuses mainly on the parasitic resistance ESR.

**TPS70245, TPS70248, TPS70251, TPS70258, TPS70202
 DUAL-OUTPUT LOW-DROPOUT VOLTAGE REGULATORS
 WITH INTEGRATED SVS FOR SPLIT VOLTAGE SYSTEMS**

SLVS286A – JUNE 2000 – REVISED JULY 2000

APPLICATION INFORMATION

Figure 38 shows the output capacitor and its parasitic impedances in a typical LDO output stage.

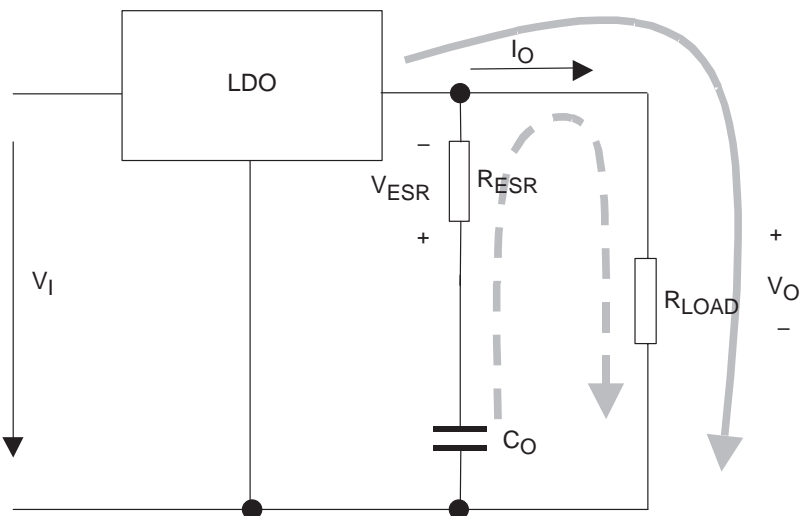


Figure 38. LDO Output Stage With Parasitic Resistances ESR

In steady state (dc state condition), the load current is supplied by the LDO (solid arrow) and the voltage across the capacitor is the same as the output voltage ($V(C_O) = V_O$). This means no current is flowing into the C_O branch. If I_O suddenly increases (transient condition), the following occurs:

- The LDO is not able to supply the sudden current need due to its response time (t_1 in Figure 39). Therefore, capacitor C_O provides the current for the new load condition (dashed arrow). C_O now acts like a battery with an internal resistance, ESR. Depending on the current demand at the output, a voltage drop will occur at R_{ESR} . This voltage is shown as V_{ESR} in Figure 38.
- When C_O is conducting current to the load, initial voltage at the load will be $V_O = V(C_O) - V_{ESR}$. Due to the discharge of C_O , the output voltage V_O will drop continuously until the response time t_1 of the LDO is reached and the LDO will resume supplying the load. From this point, the output voltage starts rising again until it reaches the regulated voltage. This period is shown as t_2 in Figure 39.

The figure also shows the impact of different ESRs on the output voltage. The left brackets show different levels of ESRs where number 1 displays the lowest and number 3 displays the highest ESR.

From above, the following conclusions can be drawn:

- The higher the ESR, the larger the droop at the beginning of load transient.
- The smaller the output capacitor, the faster the discharge time and the bigger the voltage droop during the LDO response period.

APPLICATION INFORMATION

conclusion

To minimize the transient output droop, capacitors must have a low ESR and be large enough to support the minimum output voltage requirement.

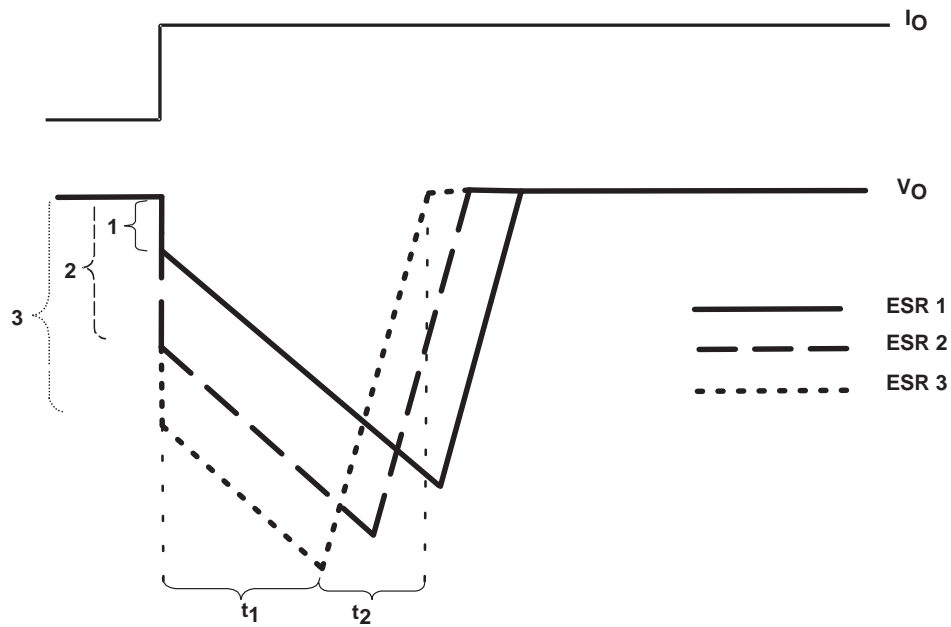


Figure 39. Correlation of Different ESRs and Their Influence to the Regulation of V_o at a Load Step From Low-to-High Output Current

TPS70245, TPS70248, TPS70251, TPS70258, TPS70202 DUAL-OUTPUT LOW-DROPOUT VOLTAGE REGULATORS WITH INTEGRATED SVS FOR SPLIT VOLTAGE SYSTEMS

SLVS286A – JUNE 2000 – REVISED JULY 2000

APPLICATION INFORMATION

programming the TPS70202 adjustable LDO regulator

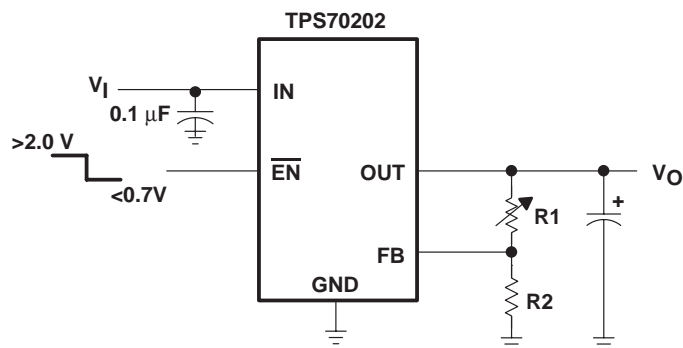
The output voltage of the TPS70202 adjustable regulators is programmed using an external resistor divider as shown in Figure 40.

Resistors R1 and R2 should be chosen for approximately 50-μA divider current. Lower value resistors can be used, but offer no inherent advantage and waste more power. Higher values should be avoided as leakage currents at the sense terminal increase the output voltage error. The recommended design procedure is to choose R2 = 30.1 kΩ to set the divider current at approximately 7 μA and then calculate R1 using:

$$R1 = \left(\frac{V_O}{V_{ref}} - 1 \right) \times R2$$

Where:

$V_{ref} = 1.224 \text{ V typ}$ (the internal reference voltage)



OUTPUT VOLTAGE
PROGRAMMING GUIDE

OUTPUT VOLTAGE	R1	R2	UNIT
2.5 V	33.4	30.1	kΩ
3.3 V	53.6	30.1	kΩ
3.6 V	61.9	30.1	kΩ

Figure 40. TPS70202 Adjustable LDO Regulator Programming

regulator protection

Both TPS702xx PMOS-pass transistors have built-in back diodes that conduct reverse currents when the input voltage drops below the output voltage (e.g., during power down). Current is conducted from the output to the input and is not internally limited. When extended reverse voltage is anticipated, external limiting may be appropriate.

The TPS702xx also features internal current limiting and thermal protection. During normal operation, the TPS702xx regulator 1 limits output current to approximately 1.6 A (typ) and regulator 2 limits output current to approximately 750 mA (typ). When current limiting engages, the output voltage scales back linearly until the overcurrent condition ends. While current limiting is designed to prevent gross device failure, care should be taken not to exceed the power dissipation ratings of the package. If the temperature of the device exceeds 150°C(typ), thermal-protection circuitry shuts it down. Once the device has cooled below 130°C(typ), regulator operation resumes.

TPS70245, TPS70248, TPS70251, TPS70258, TPS70202
DUAL-OUTPUT LOW-DROPOUT VOLTAGE REGULATORS
WITH INTEGRATED SVS FOR SPLIT VOLTAGE SYSTEMS

SLVS286A – JUNE 2000 – REVISED JULY 2000

APPLICATION INFORMATION

power dissipation and junction temperature

Specified regulator operation is assured to a junction temperature of 125°C; the maximum junction temperature should be restricted to 125°C under normal operating conditions. This restriction limits the power dissipation the regulator can handle in any given application. To ensure the junction temperature is within acceptable limits, calculate the maximum allowable dissipation, $P_{D(max)}$, and the actual dissipation, P_D , which must be less than or equal to $P_{D(max)}$.

The maximum-power-dissipation limit is determined using the following equation:

$$P_{D(max)} = \frac{T_{Jmax} - T_A}{R_{\theta JA}}$$

Where:

T_{Jmax} is the maximum allowable junction temperature.

$R_{\theta JA}$ is the thermal resistance junction-to-ambient for the package, i.e., 32.6°C/W for the 20-terminal PWP with no airflow.

T_A is the ambient temperature.

The regulator dissipation is calculated using:

$$P_D = (V_I - V_O) \times I_O$$

Power dissipation resulting from quiescent current is negligible. Excessive power dissipation will trigger the thermal protection circuit.

TPS70245, TPS70248, TPS70251, TPS70258, TPS70202
DUAL-OUTPUT LOW-DROPOUT VOLTAGE REGULATORS
WITH INTEGRATED SVS FOR SPLIT VOLTAGE SYSTEMS

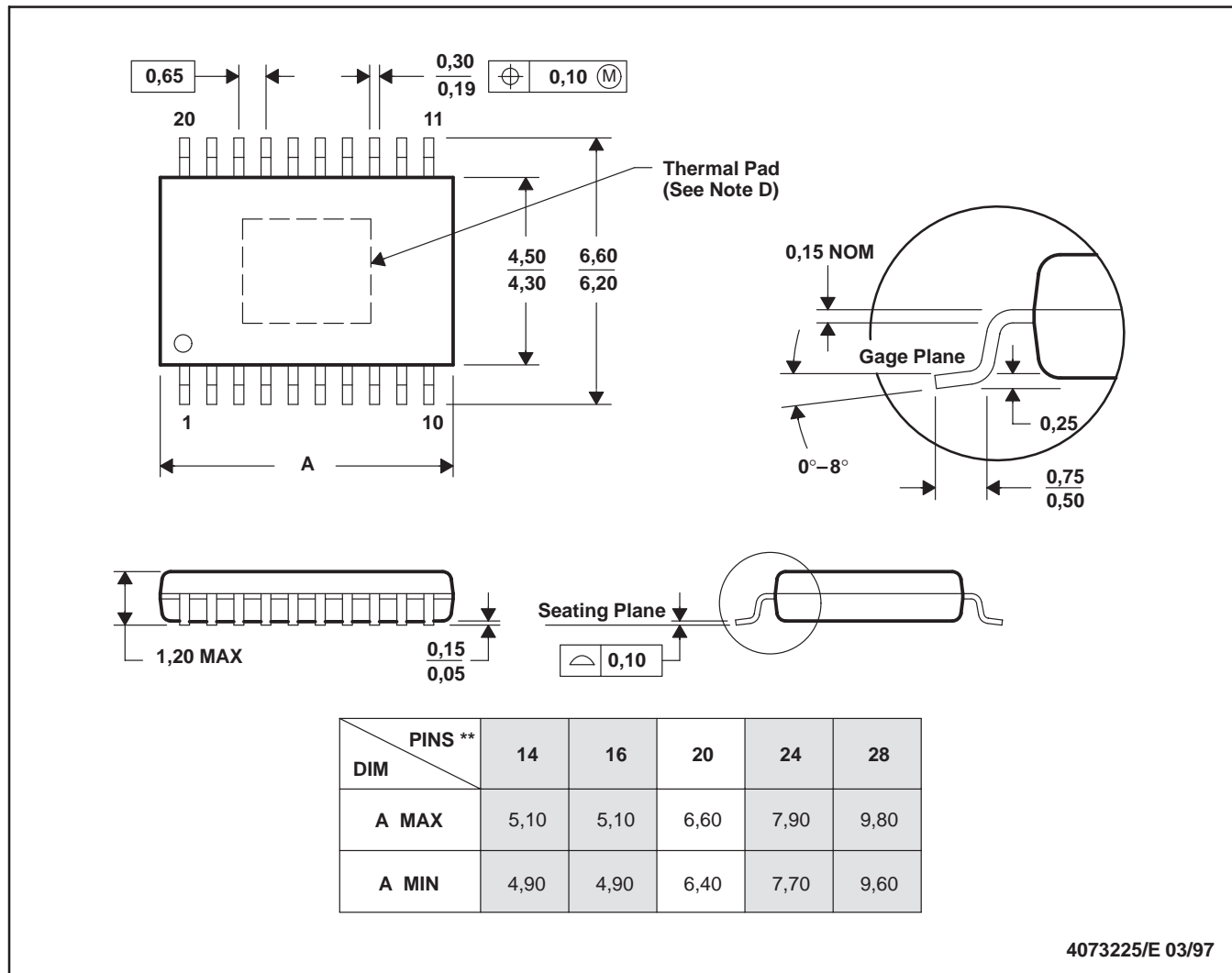
SLVS286A – JUNE 2000 – REVISED JULY 2000

MECHANICAL DATA

PWP (R-PDSO-G)**

PowerPAD™ PLASTIC SMALL-OUTLINE PACKAGE

20-PIN SHOWN



- NOTES: A. All linear dimensions are in millimeters.
 B. This drawing is subject to change without notice.
 C. Body dimensions do not include mold flash or protrusions.
 D. The package thermal performance may be enhanced by bonding the thermal pad to an external thermal plane. This pad is electrically and thermally connected to the backside of the die and possibly selected leads.
 E. Falls within JEDEC MO-153

IMPORTANT NOTICE

Texas Instruments and its subsidiaries (TI) reserve the right to make changes to their products or to discontinue any product or service without notice, and advise customers to obtain the latest version of relevant information to verify, before placing orders, that information being relied on is current and complete. All products are sold subject to the terms and conditions of sale supplied at the time of order acknowledgment, including those pertaining to warranty, patent infringement, and limitation of liability.

TI warrants performance of its semiconductor products to the specifications applicable at the time of sale in accordance with TI's standard warranty. Testing and other quality control techniques are utilized to the extent TI deems necessary to support this warranty. Specific testing of all parameters of each device is not necessarily performed, except those mandated by government requirements.

Customers are responsible for their applications using TI components.

In order to minimize risks associated with the customer's applications, adequate design and operating safeguards must be provided by the customer to minimize inherent or procedural hazards.

TI assumes no liability for applications assistance or customer product design. TI does not warrant or represent that any license, either express or implied, is granted under any patent right, copyright, mask work right, or other intellectual property right of TI covering or relating to any combination, machine, or process in which such semiconductor products or services might be or are used. TI's publication of information regarding any third party's products or services does not constitute TI's approval, warranty or endorsement thereof.