

August 1999

LM2407 Monolithic Triple 7.5 nS CRT Driver

General Description

The LM2407 is an integrated high voltage CRT driver circuit designed for use in color monitor applications. The IC contains three high input impedance, wide band amplifiers which directly drive the RGB cathodes of a CRT. Each channel has its gain internally set to -14 and can drive CRT capacitive loads as well as resistive loads present in other applications, limited only by the package's power dissipation. The IC is packaged in an industry standard 11-lead TO-220 molded plastic power package. See thermal considerations on page 6.

Features

- Low power dissipation
- Well matched with LM1279 video preamp
- 0V to 5V input range
- Stable with 0 pF–20 pF capacitive loads and inductive peaking networks
- Convenient TO-220 staggered lead package style
- Standard LM240X Family Pinout which is designed for easy PCB layout

Applications

- 1024 x 768 displays up to 85 Hz refresh
- Pixel clock frequencies up to 100 MHz
- Monitors using video blanking

Schematic and Connection Diagrams

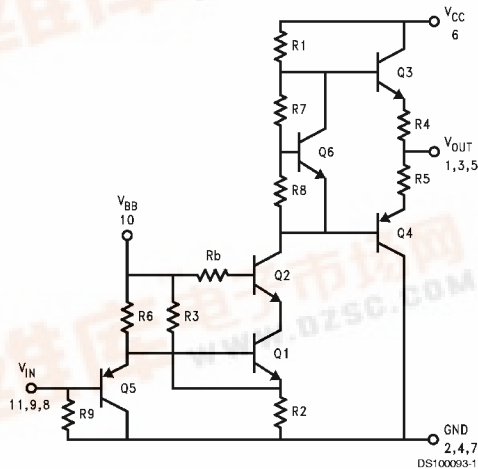
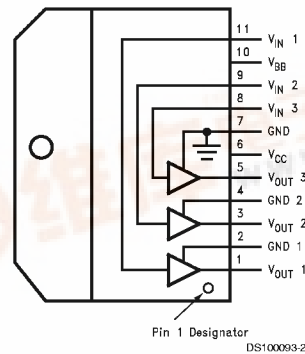


FIGURE 1. Simplified Schematic Diagram
(One Channel)



Note: Tab is at GND

Top View
Order Number LM2407T

LM2407 Monolithic Triple 7.5 nS CRT Driver



Absolute Maximum Ratings (Notes 1, 3)

If Military/Aerospace specified devices are required, please contact the National Semiconductor Sales Office/ Distributors for availability and specifications.

Supply Voltage, (V_{CC})	+90V
Bias Voltage, (V_{BB})	+16V
Input Voltage, (V_{IN})	-0.5V to V_{BIAS} +0.5V
Storage Temperature Range, (T_{STG})	-65°C to +150°C
Lead Temperature (Soldering, <10 sec.)	300°C
ESD Tolerance, Human Body Model	2 kV

Machine Model

300V

Operating Range (Note 2)

V_{CC}	+60V to +85V
V_{BB}	+8V to +15V
V_{IN}	+0V to +5V
V_{OUT}	+15V to +75V
Case Temperature	-20°C to +100°C
Do not operate the part without a heat sink.	

Electrical Characteristics

(See Figure 2 for Test Circuit)

Unless otherwise noted: $V_{CC} = +80V$, $V_{BB} = +12V$, $V_{IN} = +2.7 V_{DC}$, $C_L = 8 pF$, Output = 40 V_{PP} at 1 MHz, $T_C = 50^\circ C$.

Symbol	Parameter	Condition	LM2407			Units
			Min	Typical	Max	
I_{CC}	Supply Current	Per Channel, No Output Load		11.5		mA
I_{BB}	Bias Current	All Three Channels		11		mA
V_{OUT}	DC Output Voltage	No AC Input Signal, $V_{IN} = 1.2V$	62	65	68	V_{DC}
A_V	DC Voltage Gain	No AC Input Signal	-13.3	-13.9	-14.5	
ΔA_V	Gain Matching	(Note 4), No AC Input Signal		1.0		dB
LE	Linearity Error	(Notes 4, 5), No AC Input Signal		8		%
t_R	Rise Time	10% to 90%		7.5		nS
t_F	Fall Time	90% to 10%		7.5		nS
OS	Overshoot	Rising Edge		8		%
		Falling Edge		2		

Note 1: Absolute Maximum Ratings indicate limits beyond which damage to the device may occur.

Note 2: Operating ratings indicate conditions for which the device is functional, but do not guarantee specific performance limits. For guaranteed specifications and test conditions, see the Electrical Characteristics. The guaranteed specifications apply only for the test conditions listed. Some performance characteristics may change when the device is not operated under the listed test conditions.

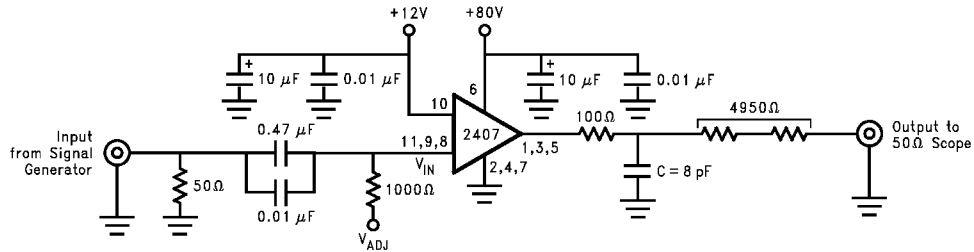
Note 3: All voltages are measured with respect to GND, unless otherwise specified.

Note 4: Calculated value from Voltage Gain test on each channel.

Note 5: Linearity Error is the variation in dc gain from $V_{IN} = 1.0V$ to $V_{IN} = 4.5V$.

Note 6: Input from signal generator: $t_r, t_f < 1 nS$.

AC Test Circuit



Note: 8 pF load includes parasitic capacitance.

FIGURE 2. Test Circuit (One Channel)

Figure 2 shows a typical test circuit for evaluation of the LM2407. This circuit is designed to allow testing of the LM2407 in a 50Ω environment without the use of an expensive FET probe. The 4950Ω resistor at the output forms a 100:1 voltage divider when connected to a 50Ω load.

AC Test Circuit (Continued)

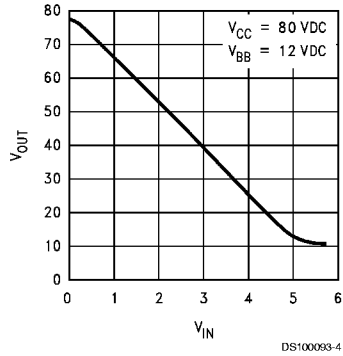


FIGURE 3. V_{OUT} vs V_{IN}

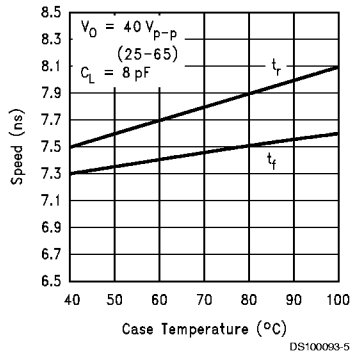


FIGURE 4. Speed vs Temp.

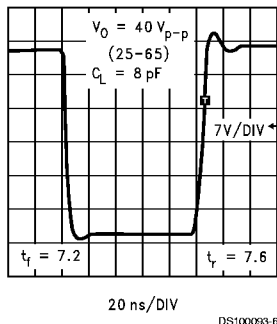


FIGURE 5. LM2407 Pulse Response

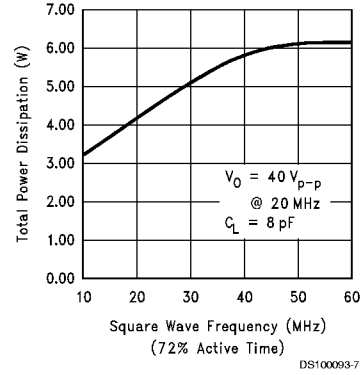


FIGURE 6. Power Dissipation vs Frequency

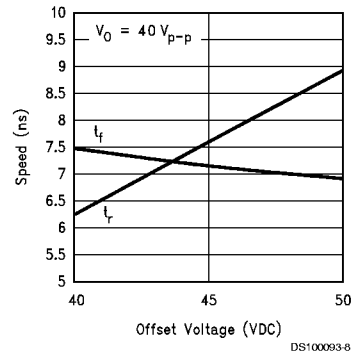


FIGURE 7. Speed vs Offset

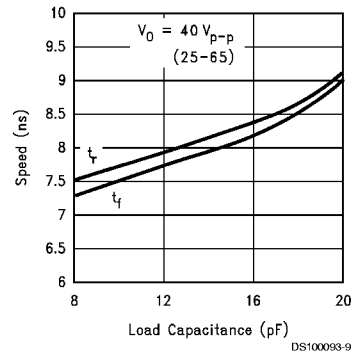


FIGURE 8. Speed vs Load Capacitance

Theory of Operation

The LM2407 is a high voltage monolithic three channel CRT driver suitable for high resolution display applications. The LM2407 operates using 80V and 12V power supplies. The part is housed in the industry standard 11-lead TO-220 molded plastic power package.

The circuit diagram of the LM2407 is shown in *Figure 1*. A PNP emitter follower, Q5, provides input buffering. Q1 and Q2 form a fixed gain cascode amplifier with resistors R1 and R2 setting the gain at -14. Emitter followers Q3 and Q4 isolate the high output impedance of the cascode stage from the capacitance of the CRT cathode which decreases the sensitivity of the device to load capacitance. Q6 provides biasing to the output emitter follower stage to reduce cross-over distortion at low signal levels.

Figure 2 shows a typical test circuit for evaluation of the LM2407. This circuit is designed to allow testing of the LM2407 in a 50Ω environment without the use of an expensive FET probe. In this test circuit, two low inductance resistors in series totaling 4.95 kΩ form a 100:1 wideband, low capacitance probe when connected to a 50Ω coaxial cable and a 50Ω load (such as a 50Ω oscilloscope input). The input signal from the generator is ac coupled to the base of Q1.

Application Hints

INTRODUCTION

National Semiconductor (NSC) is committed to provide application information that assists our customers in obtaining the best performance possible from our products. The following information is provided in order to support this commitment. The reader should be aware that the optimization of performance was done using a specific printed circuit board designed at NSC. Variations in performance can be realized due to physical changes in the printed circuit board and the application. Therefore, the designer should know that component value changes may be required in order to optimize performance in a given application. The values shown in this document can be used as a starting point for evaluation purposes. When working with high bandwidth circuits, good layout practices are also critical to achieving maximum performance.

IMPORTANT INFORMATION

The LM2407 performance is targeted for the XGA resolution market (1024 x 768, 85 Hz refresh). It is not designed to be a direct replacement for the LM2405 or LM2406. The application circuits required to optimize performance and to protect against damage from CRT arcover are different for each

part. The application section in this document provides information for the LM2407. Please refer to the LM2405 and LM2406 data sheets for specific application information on each of those devices.

POWER SUPPLY BYPASS

Since the LM2407 is a high bandwidth amplifier, proper power supply bypassing is critical for optimum performance. Improper power supply bypassing can result in large overshoot, ringing and oscillation. A 0.01 μF capacitor should be connected from the supply pin, V_{CC}, to ground, as close to the supply and ground pins as is practical. Additionally, a 10 μF to 100 μF electrolytic capacitor should be connected from the supply pin to ground. The electrolytic capacitor should also be placed reasonably close to the LM2407's supply and ground pins. A 0.1 μF capacitor should be connected from the bias pin, V_{BB}, to ground, as close as is practical to the part.

ARC PROTECTION

During normal CRT operation, internal arcing may occasionally occur. Spark gaps, in the range of 200V, connected from the CRT cathodes to CRT ground will limit the maximum voltage, but to a value that is much higher than allowable on the LM2407. This fast, high voltage, high energy pulse can damage the LM2407 output stage. The application circuit shown in *Figure 9* is designed to help clamp the voltage at the output of the LM2407 to a safe level. The clamp diodes should have a fast transient response, high peak current rating, low series impedance and low shunt capacitance. FDH400 or equivalent diodes are recommended. D1 and D2 should have short, low impedance connections to V_{CC} and ground respectively. The cathode of D1 should be located very close to a separately decoupled bypass capacitor (C3 in *Figure 9*). The ground connection of the diode and the decoupling capacitor should be very close to the LM2407 ground. This will significantly reduce the high frequency voltage transients that the LM2407 would be subjected to during an arcover condition. Resistor R2 limits the arcover current that is seen by the diodes while R1 limits the current into the LM2407 as well as the voltage stress at the outputs of the device. R2 should be a 1/2W solid carbon type resistor. R1 can be a 1/4W metal or carbon film type resistor. Inductor L1 is critical to reduce the initial high frequency voltage levels that the LM2407 would be subjected to. Having large value resistors for R1 and R2 would be desirable, but this has the effect of increasing rise and fall times. The inductor will not only help protect the device but it will also help optimize rise and fall times as well as minimize EMI. For proper arc protection, it is important to not omit any of the arc protection components shown in *Figure 9*.

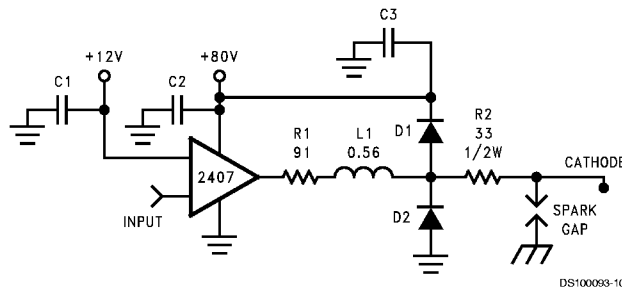


FIGURE 9. One Channel of the LM2407 with the Recommended Arc Protection Circuit

Application Hints (Continued)

OPTIMIZING TRANSIENT RESPONSE

Referring to *Figure 9*, there are three components (R1, R2 and L1) that can be adjusted to optimize the transient response of the application circuit. Increasing the values of R1 and R2 will slow the circuit down while decreasing overshoot. Increasing the value of L1 will speed up the circuit as well as increase overshoot. It is very important to use inductors with very high self-resonant frequencies, preferably above 300 MHz. Ferrite core inductors from J.W. Miller Magnetics (part # 78FR56M) were used for optimizing the performance of the device in the NSC application board. The values shown in *Figure 9* can be used as a good starting point for the evaluation of the LM2407. The NSC demo board also has a position open to add a resistor in parallel with L1. This resistor can be used to help control overshoot. Using variable resistors for R1 and the parallel resistor is a great way to help dial in the values needed for optimum performance in a given application. Once the optimum values are determined the variable resistors can be replaced with fixed values.

Effect of Load Capacitance

Figure 8 shows the effect of increased load capacitance on the speed of the device. This demonstrates the importance of knowing the load capacitance in the application. The previous section discussed how to optimize the transient response in the application with the use of a series inductor.

Effect of Offset

Figure 7 shows the variation in rise and fall times when the output offset of the device is varied from 40 V_{DC} to 50 V_{DC}. The rise time shows a maximum variation relative to the center data point (45 V_{DC}) is about 20%. The fall time shows a variation of about 5% relative to the center data point.

THERMAL CONSIDERATIONS

Figure 4 shows the performance of the LM2407 in the test circuit shown in *Figure 2* as a function of case temperature. The figure shows that the rise time of the LM2407 decreases by approximately 5% as the case temperature increases from 50°C to 100°C. This corresponds to a speed degradation of 1% for every 10°C rise in case temperature. There is a negligible change in fall time versus temperature in the test circuit.

Figure 6 shows the total power dissipation of the LM2407 vs. Frequency when all three channels of the device are driving an 8 pF load with a 40V_{p-p} signal. The graph assumes a 72% active time (device operating at the specified frequency) which is typical in a monitor application. The other 28% of the time the device is assumed to be sitting at the black level (65V in this case). This graph gives the designer the information needed to determine the heat sink requirement for his application. The designer should note that if the load capacitance is increased the AC component of the total power dissipation will also increase.

The LM2407 case temperature must be maintained below 100°C. If the maximum expected ambient temperature is 50°C and the maximum power dissipation is 6.2W, then a maximum heat sink thermal resistance can be calculated:

$$R_{TH} = \frac{100^{\circ}\text{C} - 50^{\circ}\text{C}}{6.2\text{W}} = 8.06^{\circ}\text{C/W}$$

This example assumes a capacitive load of 8 pF and no resistive load.

TYPICAL APPLICATION

A typical application of the LM2407 is shown in *Figure 10*. Used in conjunction with an LM1279, a complete video channel from monitor input to CRT cathode can be achieved. Performance is ideal for 1024 x 768 resolution displays with pixel clock frequencies up to 100 MHz. *Figure 10* is the schematic for the NSC demonstration board that can be used to evaluate the LM1279/2407 combination in a monitor.

PC Board Layout Considerations

For optimum performance, an adequate ground plane, isolation between channels, good supply bypassing and minimizing unwanted feedback are necessary. Also, the length of the signal traces from the preamplifier to the LM2407 and from the LM2407 to the CRT cathode should be as short as possible. The following references are recommended:

Ott, Henry W., "Noise Reduction Techniques in Electronic Systems" 2nd Edition, John Wiley & Sons, New York, 1988.

"Guide to CRT Video Design", National Semiconductor Application Note 861.

"Video Amplifier Design for Computer Monitors", National Semiconductor Application Note 1013.

Pease, Robert A., "Troubleshooting Analog Circuits", Butterworth-Heinemann, 1991.

Because of its high small signal bandwidth, the part may oscillate in a monitor if feedback occurs around the video channel through the chassis wiring. To prevent this, leads to the video amplifier input circuit should be shielded, and input circuit wiring should be spaced as far as possible from output circuit wiring.

NSC Demonstration Board

Figure 11 shows routing and component placement on the NSC LM1279/2407 demonstration board. The schematic of the board is shown in *Figure 10*. This board provides a good example of a layout that can be used as a guide for future layouts. Note the location of the following components:

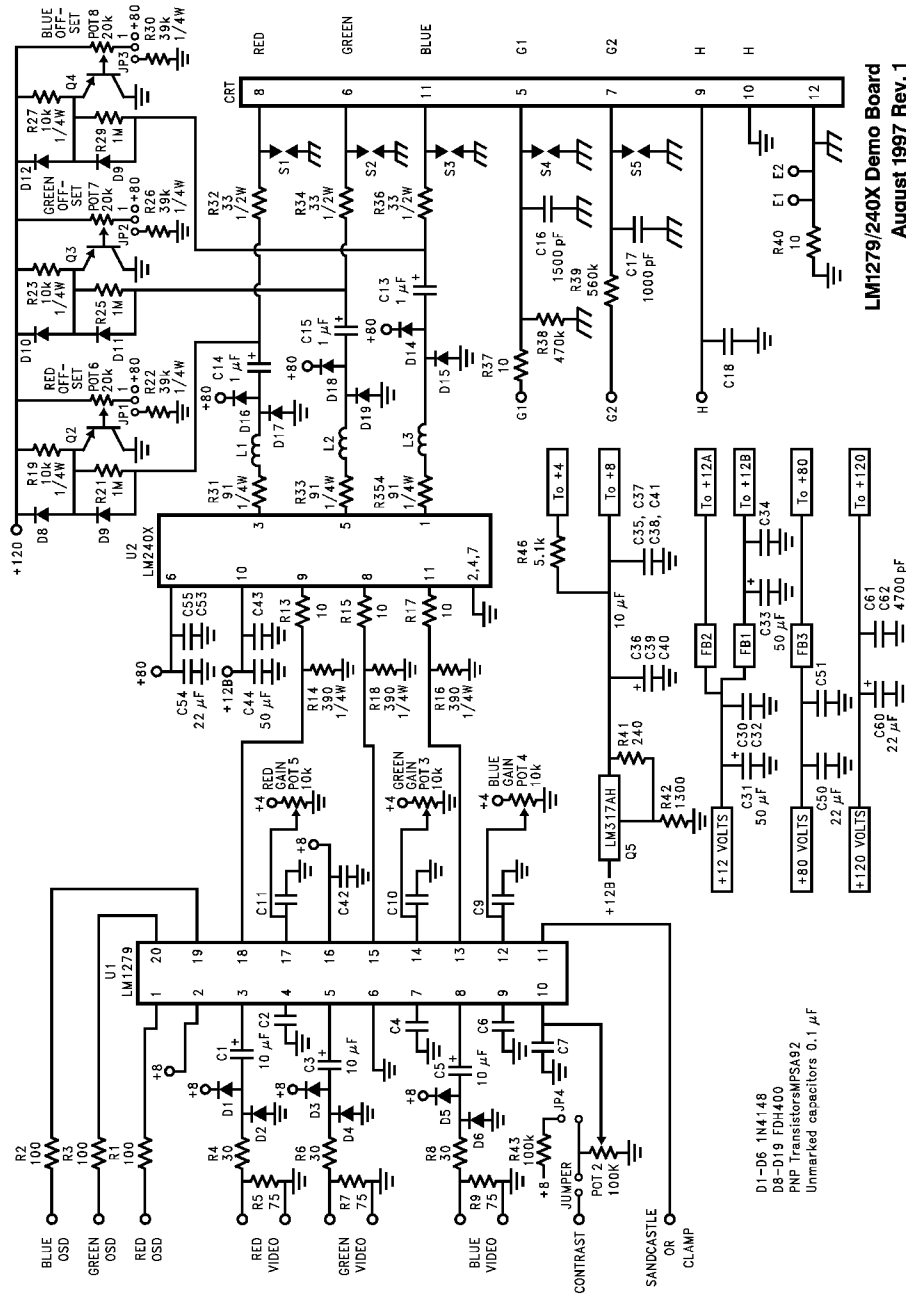
- C55—V_{CC} bypass capacitor, located very close to pin 6 and ground pins
- C43, C44—V_{BB} bypass capacitors, located close to pin 10 and ground
- C53–C55—V_{CC} bypass capacitors, near LM2407 and V_{CC} clamp diodes. Very important for arc protection

The routing of the LM2407 outputs to the CRT is very critical to achieving optimum performance. *Figure 12* shows the routing and component placement from pin 1 of the LM2407 to the blue cathode. Note that the components are placed so that they almost line up from the output pin of the LM2407 to the blue cathode pin of the CRT connector. This is done to minimize the length of the video path between these two components. Note also that D14, D15, R29 and D13 are placed to minimize the size of the video nodes that they are attached to. This minimizes parasitic capacitance in the video path and also enhances the effectiveness of the protection diodes. The anode of protection diode D14 is connected directly to a section of the the ground plane that has a short and direct path to the LM2407 ground pins. The cathode of D15 is connected to V_{CC} very close to decoupling capacitor C55 (see *Figure 12*) which is connected to the same

Application Hints (Continued)

section of the ground plane as D15. The diode placement and routing is very important for minimizing the voltage

stress on the LM2407 during an arc over event. Lastly, notice that S1 is placed very close to the blue cathode and is tied directly to CRT ground.

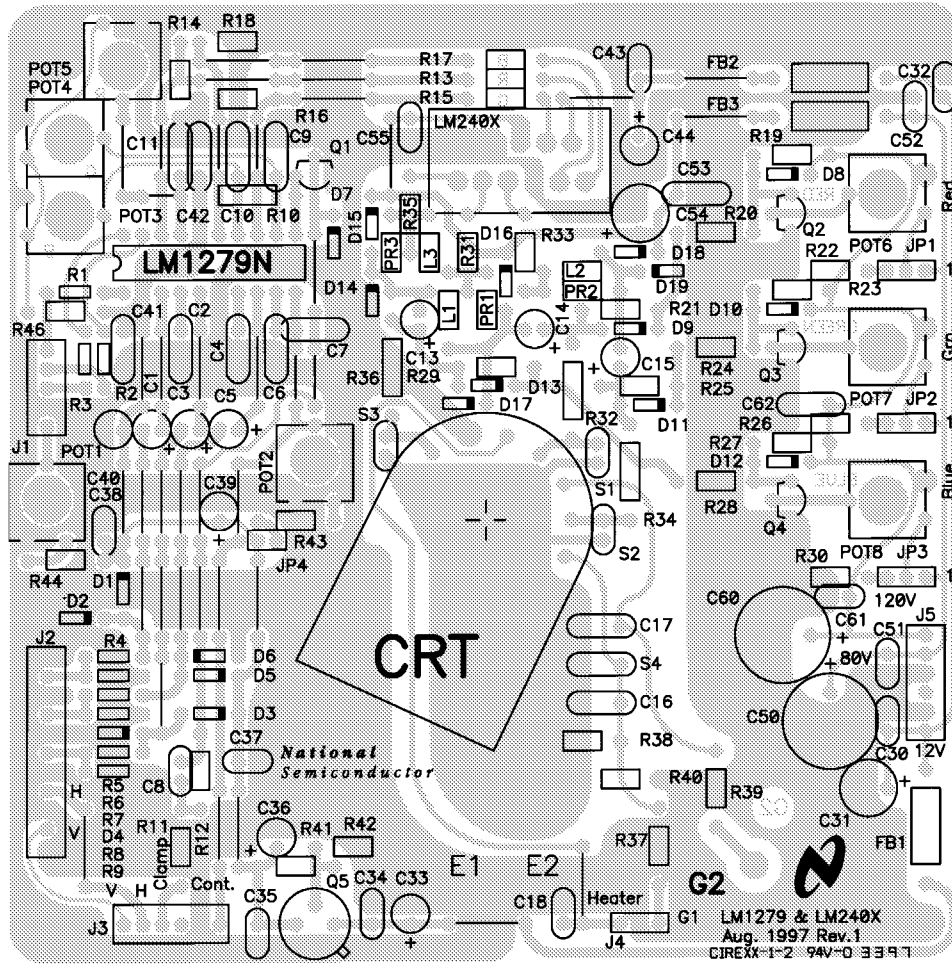


LM1279/240X Demo Board
August 1997 Rev. 1

DS100098-12

FIGURE 10. LM1279/240X Demonstration Board Schematic

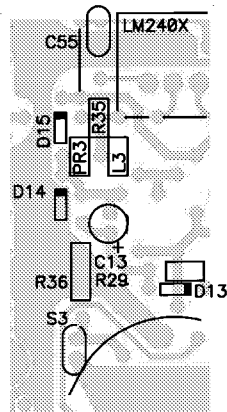
Application Hints (Continued)



DS100093-13

FIGURE 11. LM1279/240X Demo Board Layout

Application Hints (Continued)



DS100093-14

FIGURE 12. Trace Routing and Component Placement for Blue Channel Output

