



Product Brief

TDA 6190X TDA 6190T

Digital TV Mixer

The TDA 6190X / TDA 6190T is a bipolar integrated circuit for amplification and down conversion of QAM or OFDM modulated signals used for Digital Video Broadcast (DVB) on cable or for terrestrial transmission.



TDA 6190

Potential Application

- Digital TV (QAM, COFDM)
- Cable set-top receivers for Digital Video Broadcast (DVB)

Deviation

TDA 6190X

- Automatic Gain Control (AGC) with integrated peak AGC amplifier

TDA 6190T

- External Gain Control for integrated variable gain amplifier

Features

- Input frequency range of 30 to 50 MHz
- Output for adjustable delayed tuner AGC
- Integrated oscillator with -105 dBc phase noise @ 10 kHz offset
- Integrated low noise VCO circuitry with external varactor diode or crystal

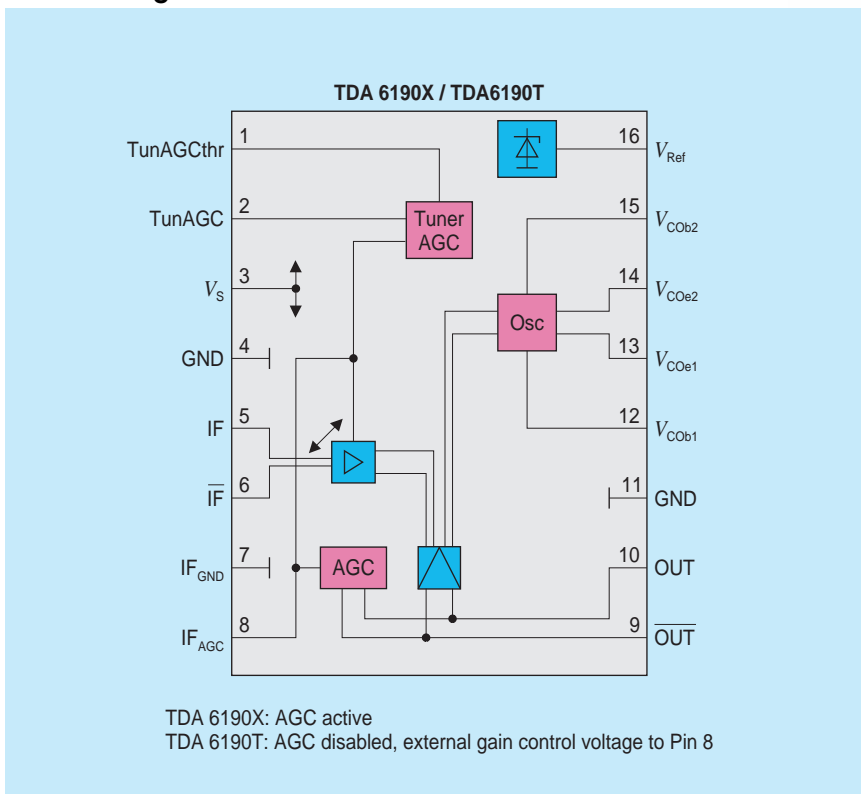
- Broadband outputs for the down converted IF signal
- Internal low noise reference voltage source
- Full ESD protection
- Package: P-DSO-16-1

Features	Benefits
Digital TV	Used for reference designs in Europe
DVB-C, DVB-T	Fulfills requirements

Packing

Type	Ordering Code	Package
TDA 6190X	Q67100-V2005	P-DSO-16-1
TDA 6190X	Q67106-V2005 (tape and reel)	P-DSO-16-1
TDA 6190T	Q67036-A1073 (tape and reel)	P-DSO-16-1

Block Diagram



Availability

TDA 6190X

ES available;

Product development release 11/97

TDA 6190T

ES available;

Product development release 5/99

Price Projection

- Standard price list
- For Key and Focus accounts or high volumes you may contact your regional Siemens sales partner

Documentation	Date of Issue/Version
Specification TDA 6190X	12/98
Specification TDA 6190T	12/98

Development and Support Tools

- Evaluation Board TDA 6190

- | | |
|--|--|
| (A) Wien
☎ (+43) 1-1707-356 11 | (IRL) Dublin 4
☎ (+353) 1-603 23 42 |
| (AUS) Richmond (Melbourne), Vic. 3121
☎ (+61) 3-9420 71 11 | (J) Tokyo 141-0022
☎ (+81) 3-5449 64 11 |
| (B) Brussel/Bruxelles
☎ (+32) 2-536 23 48 | (MAL) Penang
☎ (+60) 4-644 99 75 |
| (BR) São Paulo-SP
☎ (+55) 11-3908 23 77/26 84 | (N) Oslo 5
☎ (+47) 22-63 30 00 |
| (CDN) Mississauga, Ontario L5T 1P2
☎ (+1) 905-819 80 00 | (NL) Den Haag
☎ (+31) 70-333 24 29 |
| (CH) Zürich
☎ (+41) 1-495 30 65 | (NZ) Auckland
☎ (+64) 9-520 30 33 |
| (D) Düsseldorf
☎ (+49) 211-399 15 51
Laatzen (Hannover)
☎ (+49) 511-877 27 06
Nürnberg
☎ (+49) 911-654 76 22
Stuttgart
☎ (+49) 711-137 33 14
München
☎ (+49) 89-9221 40 86 | (P) Amadora
☎ (+35) 1-417 00 11 |
| (DK) Ballerup
☎ (+45) 4477-44 77 | (PK) Islamabad
☎ (+92) 51-21 22 00 |
| (E) Tres Cantos-Madrid
☎ (+34) 91-514 80 00 | (PL) Warszawa
☎ (+48) 2-670 91 51 |
| (F) Saint-Denis CEDEX 2
☎ (+33) 1-4922 31 00 | (RC) Taipei
☎ (+886) 2-2773 66 06 |
| (FIN) Espoo (Helsinki)
☎ (+358) 9-5105 1 | (ROK) Seoul 135-080
☎ (+82) 2-527 77 00 |
| (GB) Berkshire RG 12 8FZ
☎ (+44) 1344-39 80 00 | (RUS) Moskva
☎ (+7) 095-737-14 35, -14 36 |
| (GR) Amaroussio/Athen
☎ (+30) 1-686 41 11 | (S) Kista
☎ (+46) 8-703 35 00 |
| (HK) Hong Kong
☎ (+852) 2832 05 00 | (SGP) Singapore 349 253
☎ (+65) 840 06 10 |
| (I) Milano
☎ (+39) 02-6676-1 | (TR) Findikli (Istanbul)
☎ (+90) 212-251 09 00 |
| (IND) New Delhi 110 014
☎ (+91) 11-461 74 47
Bangalore 560 001
☎ (+91) 80-227 98 74
Mumbai
☎ (+91) 22-496 21 99 | (USA) Cupertino, CA 95014
☎ (+1) 408-777 45 00
Cupertino, CA 95014
☎ (+1) 408-257 79 10
Iselin, NJ 08830-2770
☎ (+1) 732-906 43 00 |
| | (VRC) Beijing
☎ (+86) 10-6857 90 -06, -07
Shanghai 200003
☎ (+86) 21-6361 26 18/19 |
| | (ZA) Halfway House 1685
☎ (+27) 11-652-20 00, -27 00 |

How to reach us:

<http://www.infineon.com>

© Infineon Technologies AG i. Gr. 1999.

All Rights Reserved.

Please note that any information contained in this publication may be subject to change. Infineon Technologies reserves the right to make changes to or to discontinue any product or service identified in this publication without notice.

Please contact our regional offices to receive the latest version of the relevant information to verify, before placing orders, that the information being relied upon is current.

All brand or product names, hardware or software names are trademarks of their respective companies or organizations.

Published by

Infineon Technologies AG i. Gr.

Ordering No. B168-H7390-G1-X-7600
Printed in Germany
PS 05992.