

PRELIMINARY  
QSE  
ERRATA  
PMC-991011

**PMC** *PMC-Sierra, Inc.*

**PM73488 QSE**

ISSUE 1

QSE REFERENCE DESIGN ERRATA

**PM73488**

**QSE**

**5 GBIT/S  
ATM SWITCH FABRIC ELEMENT  
(QSE)**

**REFERENCE DESIGN ERRATA**

**PRELIMINARY**

**ISSUE 1: AUGUST 1999**



**PUBLIC REVISION HISTORY**

<b>Issue No.</b>	<b>Issue Date</b>	<b>Details of Change</b>
1	August 1999	Document created.

**CONTENTS**

1    ISSUE 1 ERRATA ..... 1

2    QSE REFERENCE DESIGN SCHEMATIC ERRORS ..... 2

    2.1    MISSED AC COUPLING CAPACITORS FOR DESERIALIZERS .. 2

**LIST OF FIGURES**

FIGURE 1 - COUPLING FOR HDMP-1034 DEVICES.....3

## **1 ISSUE 1 ERRATA**

This issue 1 document errata contains errata applied to document PMC-981288 QSE Reference Design Issue 2.

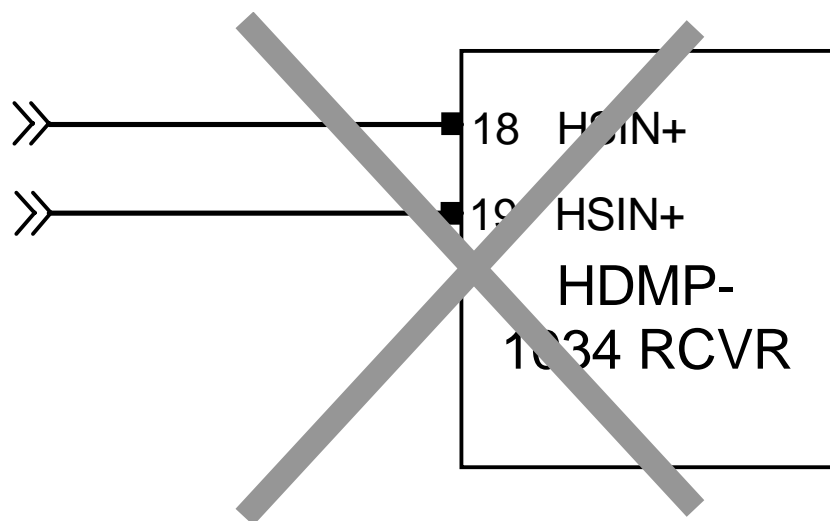
## **2 QSE REFERENCE DESIGN SCHEMATIC ERRORS**

This section describes errors and required corrections on the schematics provided with the QSE Reference Design.

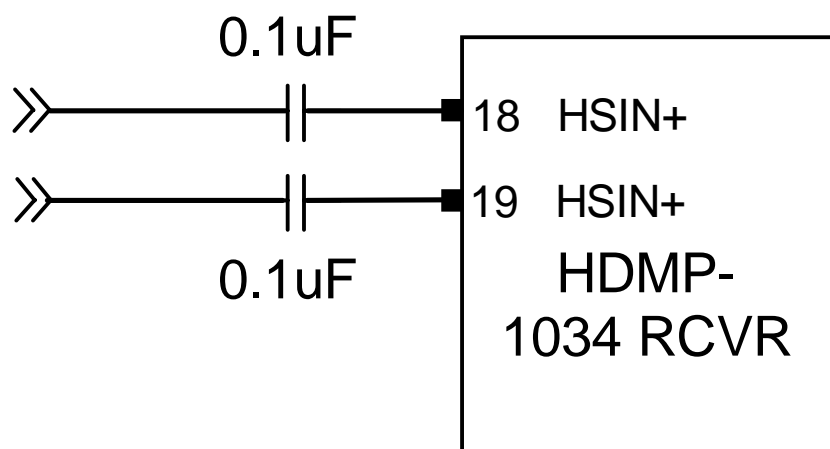
### **2.1 Missed AC Coupling Capacitors for Deserializers**

On Pages 9 and 10 of the QSE Reference Design schematics, pins 18 and 19 of devices U7 - U14 are shown directly coupled to signals R0\_GRP0+/- through R0\_GRP7+/- respectively. These signals should instead be AC coupled to pins 18 and 19. The same case applies on Pages 18 and 19 for devices U25 – U32. Figure 1 below illustrates the error and the correct connections.

**Figure 1 - Coupling for HDMP-1034 Devices**



Incorrect Schematic



Corrected Schematic

The corrected schematic diagram corresponds to termination recommendations provided in HP datasheets.

PRELIMINARY  
QSE  
ERRATA  
PMC-991011



PM73488 QSE

ISSUE 1

QSE REFERENCE DESIGN ERRATA

---

**NOTES**



**CONTACTING PMC-SIERRA, INC.**

PMC-Sierra, Inc.  
105-8555 Baxter Place Burnaby, BC  
Canada V5A 4V7

Tel: (604) 415-6000

Fax: (604) 415-6200

Document Information: [document@pmc-sierra.com](mailto:document@pmc-sierra.com)  
Corporate Information: [info@pmc-sierra.com](mailto:info@pmc-sierra.com)  
Application Information: [apps@pmc-sierra.com](mailto:apps@pmc-sierra.com)  
(604) 415-4533  
Web Site: <http://www.pmc-sierra.com>

None of the information contained in this document constitutes an express or implied warranty by PMC-Sierra, Inc. as to the sufficiency, fitness or suitability for a particular purpose of any such information or the fitness, or suitability for a particular purpose, merchantability, performance, compatibility with other parts or systems, of any of the products of PMC-Sierra, Inc., or any portion thereof, referred to in this document. PMC-Sierra, Inc. expressly disclaims all representations and warranties of any kind regarding the contents or use of the information, including, but not limited to, express and implied warranties of accuracy, completeness, merchantability, fitness for a particular use, or non-infringement.

In no event will PMC-Sierra, Inc. be liable for any direct, indirect, special, incidental or consequential damages, including, but not limited to, lost profits, lost business or lost data resulting from any use of or reliance upon the information, whether or not PMC-Sierra, Inc. has been advised of the possibility of such damage.

© 1999 PMC-Sierra, Inc.

PMC-991011 (P1)

Ref PMC-981288(P2)

Issue date: August 1999