

Logic level TOPFET

PIP3122-R

DESCRIPTION

Monolithic logic level protected power MOSFET using **TOPFET2** technology assembled in a 5 pin surface mounting plastic package.

APPLICATIONS

- General purpose switch for driving
- lamps
 - motors
 - solenoids
 - heaters

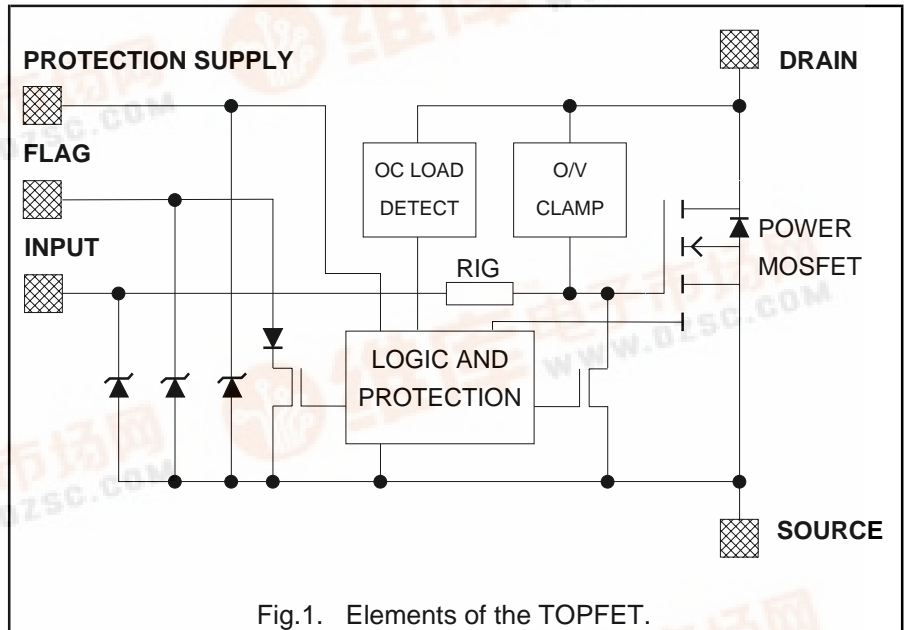
QUICK REFERENCE DATA

| SYMBOL | PARAMETER | MAX. | UNIT |
|--------------|----------------------------------|------|------|
| V_{DS} | Continuous drain source voltage | 50 | V |
| I_D | Continuous drain current | 40 | A |
| P_{tot} | Total power dissipation | 107 | W |
| T_j | Continuous junction temperature | 150 | °C |
| $R_{DS(ON)}$ | Drain-source on-state resistance | 20 | mΩ |
| SYMBOL | PARAMETER | NOM. | UNIT |
| V_{PS} | Protection supply voltage | 5 | V |

FEATURES

- TrenchMOS output stage with low on-state resistance
- Separate input pin for higher frequency drive
- 5 V logic compatible input
- Separate supply pin for logic and protection circuits with low operating current
- Overtemperature protection
- Drain current limiting
- Short circuit load protection
- Latched overload trip state reset by the protection pin
- Diagnostic flag pin indicates protection supply connected, overtemperature condition, overload tripped state, or open circuit load (detected in the off-state)
- ESD protection on all pins
- Overvoltage clamping

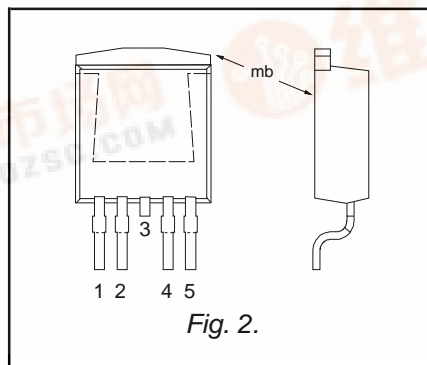
FUNCTIONAL BLOCK DIAGRAM



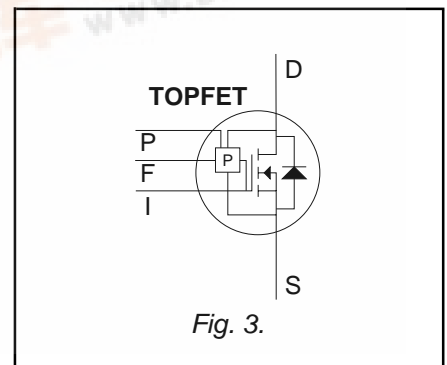
PINNING - SOT426

| PIN | DESCRIPTION |
|-----|-------------------|
| 1 | input |
| 2 | flag |
| 3 | (connected to mb) |
| 4 | protection supply |
| 5 | source |
| mb | drain |

PIN CONFIGURATION



SYMBOL



Logic level TOPFET

PIP3122-R

LIMITING VALUES

Limiting values in accordance with the Absolute Maximum Rating System (IEC 134)

| SYMBOL | PARAMETER | CONDITIONS | MIN. | MAX. | UNIT |
|------------|--|--|------|-------------------------|------------------|
| V_{DS} | Continuous voltage Drain source voltage ¹ | $V_{IS} = 0 \text{ V}$ | - | 50 | V |
| I_D | Continuous currents Drain current | $V_{PS} = 5 \text{ V}; T_{mb} = 25^\circ\text{C}$ $V_{PS} = 0 \text{ V}; T_{mb} = 80^\circ\text{C}$ | - | self - limited 40 | A |
| I_I | Input current | | -5 | 5 | mA |
| I_F | Flag current | | -5 | 5 | mA |
| I_P | Protection supply current | | -5 | 5 | mA |
| P_{tot} | Thermal Total power dissipation | $T_{mb} = 25^\circ\text{C}$ | - | 107 | W |
| T_{stg} | Storage temperature | | -55 | 175 | $^\circ\text{C}$ |
| T_j | Junction temperature ² | continuous | - | 150 | $^\circ\text{C}$ |
| T_{sold} | Mounting base temperature | during soldering | - | 260 | $^\circ\text{C}$ |

ESD LIMITING VALUE

| SYMBOL | PARAMETER | CONDITIONS | MIN. | MAX. | UNIT |
|--------|---|--|------|------|------|
| V_C | Electrostatic discharge capacitor voltage | Human body model; $C = 250 \text{ pF}; R = 1.5 \text{ k}\Omega$ | - | 2 | kV |

OVERLOAD PROTECTION LIMITING VALUE

With an adequate protection supply connected, TOPFET can protect itself from two types of overload - overtemperature and short circuit load.

For overload conditions an n-MOS transistor turns on between the input and source to quickly discharge the power MOSFET gate capacitance.

The drain current is limited to reduce dissipation in case of short circuit load. Refer to OVERLOAD CHARACTERISTICS.

| SYMBOL | PARAMETER | REQUIRED CONDITION | MIN. | MAX. | UNIT |
|----------|--|--|------|------|------|
| V_{DS} | Overload protection³ Drain source voltage | protection supply $V_{PS} \geq 4 \text{ V}$ | 0 | 35 | V |

OVERVOLTAGE CLAMPING LIMITING VALUES

At a drain source voltage above 50 V the power MOSFET is actively turned on to clamp overvoltage transients.

| SYMBOL | PARAMETER | CONDITIONS | MIN. | MAX. | UNIT |
|-----------|--|--|------|------|------|
| E_{DSM} | Inductive load turn off Non-repetitive clamping energy | $I_{DM} = 25 \text{ A}; V_{DD} \leq 20 \text{ V}$ $T_{mb} = 25^\circ\text{C}$ | - | 550 | mJ |
| E_{DRM} | Repetitive clamping energy | $T_{mb} \leq 95^\circ\text{C}; f = 250 \text{ Hz}$ | - | 60 | mJ |

1 Prior to the onset of overvoltage clamping. For voltages above this value, safe operation is limited by the overvoltage clamping energy.

2 A higher T_j is allowed as an overload condition but at the threshold $T_{j(RO)}$ the over temperature trip operates to protect the switch.

3 All control logic and protection functions are disabled during conduction of the source drain diode. If the protection circuit was previously latched, it would be reset by this condition.

Logic level TOPFET

PIP3122-R

THERMAL CHARACTERISTIC

| SYMBOL | PARAMETER | CONDITIONS | MIN. | TYP. | MAX. | UNIT |
|----------------|---|------------|------|------|------|------|
| $R_{th\ j-mb}$ | Thermal resistance Junction to mounting base | - | - | 0.94 | 1.17 | K/W |

OUTPUT CHARACTERISTICSLimits are for $-40^{\circ}\text{C} \leq T_{mb} \leq 150^{\circ}\text{C}$; typicals are for $T_{mb} = 25^{\circ}\text{C}$ unless otherwise specified.

| SYMBOL | PARAMETER | CONDITIONS | MIN. | TYP. | MAX. | UNIT |
|---------------|---|---|------|------|------|------------------|
| $V_{(CL)DSS}$ | Off-state Drain-source clamping voltage | $V_{IS} = 0\text{ V}$ $I_D = 10\text{ mA}$ | 50 | - | 70 | V |
| I_{DSS} | Drain source leakage current ¹ | $I_{DM} = 5\text{ A}$; $t_p \leq 300\ \mu\text{s}$; $\delta \leq 0.01$ $V_{PS} = 0\text{ V}$; $V_{DS} = 40\text{ V}$ $T_{mb} = 25^{\circ}\text{C}$ | 50 | 60 | 70 | V |
| | | | - | - | 100 | μA |
| | | | - | 0.1 | 10 | μA |
| $R_{DS(ON)}$ | On-state Drain-source resistance | $t_p \leq 300\ \mu\text{s}$; $\delta \leq 0.01$; $V_{PS} \geq 4\text{ V}$ $I_{DM} = 15\text{ A}$; $V_{IS} \geq 4.4\text{ V}$ $T_{mb} = 25^{\circ}\text{C}$ | - | - | 40 | $\text{m}\Omega$ |
| | | | - | 15 | 20 | $\text{m}\Omega$ |

INPUT CHARACTERISTICSLimits are for $-40^{\circ}\text{C} \leq T_{mb} \leq 150^{\circ}\text{C}$; typicals are for $T_{mb} = 25^{\circ}\text{C}$ unless otherwise specified.

| SYMBOL | PARAMETER | CONDITIONS | MIN. | TYP. | MAX. | UNIT |
|--------------|---|--|------|------|------|------------------|
| $V_{IS(TO)}$ | Normal operation Input threshold voltage ² | $I_D = 1\text{ mA}$ $T_{mb} = 25^{\circ}\text{C}$ | 0.6 | - | 2.6 | V |
| | | | 1.1 | 1.6 | 2.1 | V |
| I_{IS} | Input current | $V_{IS} = 5\text{ V}$ | - | 16 | 100 | μA |
| $V_{(CL)IS}$ | Input clamping voltage | $I_I = 1\text{ mA}$ | 5.5 | 6.4 | 8.5 | V |
| R_{IG} | Internal series resistance ³ | to gate of power MOSFET | - | 1.7 | - | $\text{k}\Omega$ |
| I_{ISL} | Overload protection latched Input current | $V_{PS} \geq 4\text{ V}$ $V_{IS} = 5\text{ V}$ | 1 | 2.7 | 4 | mA |

1 The drain current required for open circuit load detection is switched off when there is no protection supply, in order to ensure a low off-state quiescent current. Refer to OPEN CIRCUIT LOAD DETECTION CHARACTERISTICS.

2 The measurement method is simplified if $V_{PS} = 0\text{ V}$, in order to distinguish I_D from I_{DSP} . Refer to OPEN CIRCUIT LOAD DETECTION CHARACTERISTICS.

3 This is not a directly measurable parameter.

Logic level TOPFET

PIP3122-R

PROTECTION SUPPLY CHARACTERISTICSLimits are for $-40^{\circ}\text{C} \leq T_{\text{mb}} \leq 150^{\circ}\text{C}$; typicals are for $T_{\text{mb}} = 25^{\circ}\text{C}$.

| SYMBOL | PARAMETER | CONDITIONS | MIN. | TYP. | MAX. | UNIT |
|-------------------------------------|---|---|---------|-----------|----------|--------------------|
| V_{PSF} | Protection & detection Threshold voltage ¹ | $I_{\text{F}} = 100 \mu\text{A}; V_{\text{DS}} = 5 \text{ V}$ | 2.5 | 3.45 | 4 | V |
| $I_{\text{PS}}, I_{\text{PSL}}$ | Normal operation or protection latched Supply current | $V_{\text{PS}} = 4.5 \text{ V}$ | - | 210 | 450 | μA |
| $V_{(\text{CL})\text{PS}}$ | Clamping voltage | $I_{\text{p}} = 1.5 \text{ mA}$ | 5.5 | 6.5 | 8.5 | V |
| V_{PSR} t_{pr} | Overload protection latched Reset voltage Reset time | $V_{\text{PS}} \leq 1 \text{ V}$ | 1 10 | 1.8 45 | 3 120 | V μs |

OPEN CIRCUIT LOAD DETECTION CHARACTERISTICSAn open circuit load condition can be detected while the TOPFET is in the off-state. Refer to TRUTH TABLE. $V_{\text{PS}} = 5 \text{ V}$. Limits are for $-40^{\circ}\text{C} \leq T_{\text{mb}} \leq 150^{\circ}\text{C}$ and typicals are for $T_{\text{mb}} = 25^{\circ}\text{C}$.

| SYMBOL | PARAMETER | CONDITIONS | MIN. | TYP. | MAX. | UNIT |
|------------------|--------------------------------------|---|------|------|------|------|
| I_{DSP} | Off-state drain current ² | $V_{\text{IS}} = 0 \text{ V}; 2 \text{ V} \leq V_{\text{DS}} \leq 40 \text{ V}$ | 0.9 | 1.8 | 2.7 | mA |
| V_{DSF} | Drain threshold voltage ³ | $V_{\text{IS}} = 0 \text{ V}$ | 0.2 | 1 | 2 | V |
| V_{ISF} | Input threshold voltage ⁴ | $I_{\text{D}} = 100 \mu\text{A}$ | 0.3 | 0.8 | 1.1 | V |

OVERLOAD CHARACTERISTICS $T_{\text{mb}} = 25^{\circ}\text{C}$ unless otherwise specified.

| SYMBOL | PARAMETER | CONDITIONS | MIN. | TYP. | MAX. | UNIT |
|---------------------------|--|---|------|------|------|--------------------|
| I_{D} | Short circuit load protection Drain current limiting | $V_{\text{PS}} > 4 \text{ V}$ $V_{\text{IS}} = 5 \text{ V}; -40^{\circ}\text{C} \leq T_{\text{mb}} \leq 150^{\circ}\text{C}$ | 40 | 62 | 84 | A |
| $P_{\text{D}(\text{TO})}$ | Overload power threshold | for protection to operate | 90 | 220 | 330 | W |
| T_{DSC} | Characteristic time | which determines trip time ⁵ | 250 | 500 | 700 | μs |
| $T_{\text{j}(\text{TO})}$ | Overtemperature protection Threshold temperature | $V_{\text{PS}} = 5 \text{ V}$ from $I_{\text{D}} \geq 4 \text{ A}$ or $V_{\text{DS}} > 0.2 \text{ V}$ | 150 | 170 | - | $^{\circ}\text{C}$ |

1 When V_{PS} is less than V_{PSF} the flag pin indicates low protection supply voltage. Refer to TRUTH TABLE.

2 The drain source current which flows in a normal load when the protection supply is high and the input is low.

3 If $V_{\text{DS}} < V_{\text{DSF}}$ then the flag indicates open circuit load.

4 For open circuit load detection, V_{IS} must be less than V_{ISF} .

5 Trip time t_{dsc} varies with overload dissipation P_{D} according to the formula $t_{\text{dsc}} \sim T_{\text{DSC}} / \ln[P_{\text{D}} / P_{\text{D}(\text{TO})}]$.

Logic level TOPFET

PIP3122-R

TRUTH TABLE

For normal, open-circuit load and overload conditions or inadequate protection supply voltage. Assumes proper external pull-up for flag pin. Refer to FLAG CHARACTERISTICS.

| CONDITION | PROTECTION | INPUT | FLAG | OUTPUT |
|---------------------------------|------------|-------|------|--------|
| Normal on-state | 1 | 1 | 0 | ON |
| Normal off-state | 1 | 0 | 0 | OFF |
| Open circuit load | 1 | 1 | 0 | ON |
| Open circuit load | 1 | 0 | 1 | OFF |
| Short circuit load ¹ | 1 | 1 | 1 | OFF |
| Over temperature | 1 | X | 1 | OFF |
| Low protection supply voltage | 0 | 1 | 1 | ON |
| Low protection supply voltage | 0 | 0 | 1 | OFF |

KEY '0' equals low
'1' equals high
'X' equals don't care.

FLAG CHARACTERISTICS

The flag is an open drain transistor which requires an external pull-up circuit. Limits are for $-40^{\circ}\text{C} \leq T_{\text{mb}} \leq 150^{\circ}\text{C}$; typicals are for $T_{\text{mb}} = 25^{\circ}\text{C}$.

| SYMBOL | PARAMETER | CONDITIONS | MIN. | TYP. | MAX. | UNIT |
|----------------------------|--|---|------|------|------|---------------|
| V_{FSF} | Flag 'low' Flag voltage | normal operation; $V_{\text{PS}} = 5\text{ V}$ $I_{\text{F}} = 100\ \mu\text{A}$ | - | 0.8 | 1 | V |
| I_{FSF} | Flag saturation current | $V_{\text{FS}} = 5\text{ V}$ | - | 10 | - | mA |
| I_{FSO} | Flag 'high' Flag leakage current | overload or fault $V_{\text{FS}} = 5\text{ V}$ | - | 0.1 | 10 | μA |
| $V_{(\text{CL})\text{FS}}$ | Flag clamping voltage | $I_{\text{F}} = 100\ \mu\text{A}$ | 5.5 | 6.2 | 8.5 | V |
| R_{F} | Application information Suitable external pull-up resistance | $V_{\text{FF}} = 5\text{ V}$ | - | 47 | - | k Ω |

SWITCHING CHARACTERISTICS

$T_{\text{mb}} = 25^{\circ}\text{C}$; $R_{\text{I}} = 50\ \Omega$; $R_{\text{IS}} = 50\ \Omega$; $V_{\text{DD}} = 15\text{ V}$; resistive load $R_{\text{L}} = 10\ \Omega$.

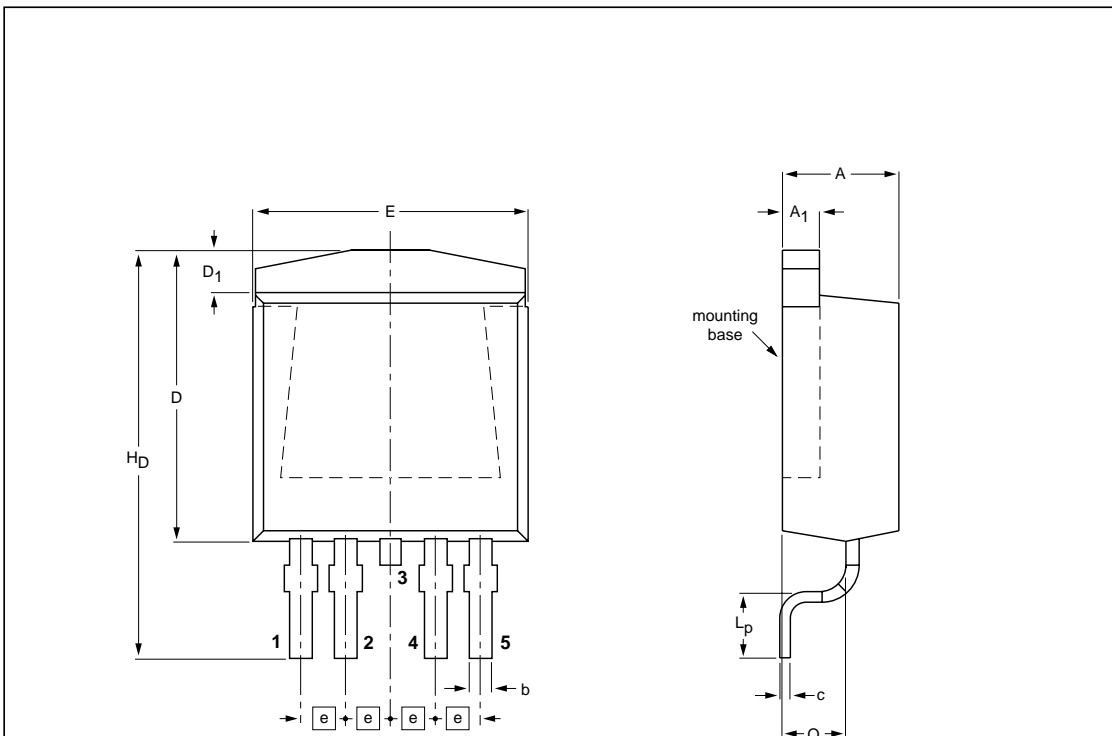
| SYMBOL | PARAMETER | CONDITIONS | MIN. | TYP. | MAX. | UNIT |
|--------------------|---------------------|--|------|------|------|---------------|
| $t_{\text{d on}}$ | Turn-on delay time | $V_{\text{IS}}: 0\text{ V} \Rightarrow 5\text{ V}$ | - | 1.8 | 5 | μs |
| t_{r} | Rise time | | - | 3.5 | 8 | μs |
| $t_{\text{d off}}$ | Turn-off delay time | $V_{\text{IS}}: 5\text{ V} \Rightarrow 0\text{ V}$ | - | 11 | 30 | μs |
| t_{f} | Fall time | | - | 5 | 12 | μs |

¹ In this condition the protection circuit is latched. To reset the latch the protection pin must be taken low. Refer to PROTECTION SUPPLY CHARACTERISTICS.

MECHANICAL DATA

Plastic single-ended surface mounted package (Philips version of D²-PAK); 5 leads (one lead cropped)

SOT426



DIMENSIONS (mm are the original dimensions)

| UNIT | A | A ₁ | b | c | D max. | D ₁ | E | e | L _p | H _D | Q |
|------|--------------|----------------|--------------|--------------|--------|----------------|---------------|------|----------------|----------------|--------------|
| mm | 4.50 4.10 | 1.40 1.27 | 0.85 0.60 | 0.64 0.46 | 11 | 1.60 1.20 | 10.30 9.70 | 1.70 | 2.90 2.10 | 15.80 14.80 | 2.60 2.20 |

| OUTLINE VERSION | REFERENCES | | | EUROPEAN PROJECTION | ISSUE DATE |
|-----------------|------------|-------|------|---------------------|----------------------|
| | IEC | JEDEC | EIAJ | | |
| SOT426 | | | | | 98-12-14 99-06-25 |

Fig.4. SOT426 surface mounting package¹, centre pin connected to mounting base.

¹ Epoxy meets UL94 V0 at 1/8". Net mass: 1.5 g.
For soldering guidelines and SMD footprint design, please refer to Data Handbook SC18.

Logic level TOPFET

PIP3122-R

DEFINITIONS

| DATA SHEET STATUS | | |
|--|-----------------------------------|---|
| DATA SHEET STATUS¹ | PRODUCT STATUS² | DEFINITIONS |
| Objective data | Development | This data sheet contains data from the objective specification for product development. Philips Semiconductors reserves the right to change the specification in any manner without notice |
| Preliminary data | Qualification | This data sheet contains data from the preliminary specification. Supplementary data will be published at a later date. Philips Semiconductors reserves the right to change the specification without notice, in order to improve the design and supply the best possible product |
| Product data | Production | This data sheet contains data from the product specification. Philips Semiconductors reserves the right to make changes at any time in order to improve the design, manufacturing and supply. Changes will be communicated according to the Customer Product/Process Change Notification (CPCN) procedure SNW-SQ-650A |
| Limiting values | | |
| Limiting values are given in accordance with the Absolute Maximum Rating System (IEC 134). Stress above one or more of the limiting values may cause permanent damage to the device. These are stress ratings only and operation of the device at these or at any other conditions above those given in the Characteristics sections of this specification is not implied. Exposure to limiting values for extended periods may affect device reliability. | | |
| Application information | | |
| Where application information is given, it is advisory and does not form part of the specification. | | |
| © Philips Electronics N.V. 2002 | | |
| All rights are reserved. Reproduction in whole or in part is prohibited without the prior written consent of the copyright owner. | | |
| The information presented in this document does not form part of any quotation or contract, it is believed to be accurate and reliable and may be changed without notice. No liability will be accepted by the publisher for any consequence of its use. Publication thereof does not convey nor imply any license under patent or other industrial or intellectual property rights. | | |

LIFE SUPPORT APPLICATIONS

These products are not designed for use in life support appliances, devices or systems where malfunction of these products can be reasonably expected to result in personal injury. Philips customers using or selling these products for use in such applications do so at their own risk and agree to fully indemnify Philips for any damages resulting from such improper use or sale.

¹ Please consult the most recently issued datasheet before initiating or completing a design.

² The product status of the device(s) described in this datasheet may have changed since this datasheet was published. The latest information is available on the Internet at URL <http://www.semiconductors.philips.com>.