

DATA SHEET

74AVC16245

**16-bit transceiver with direction pin;
3-state (3.6 V tolerant)**

Product specification
Supersedes data of 1998 Dec 11
File under Integrated Circuits, IC24

1999 Nov 15

16-bit transceiver with direction pin; 3-state (3.6 V tolerant)

74AVC16245

FEATURES

- Wide supply voltage range from 1.2 to 3.6 V
- Complies with JEDEC standard no. 8-1A/5/7
- CMOS low power consumption
- Input/output tolerant up to 3.6 V
- Dynamic Controlled Output (DCO) circuit dynamically changes output impedance, resulting in noise reduction without speed degradation
- Low inductance multiple power and ground pins for minimum noise and ground bounce
- Power off disables outputs, permitting live insertion.

DESCRIPTION

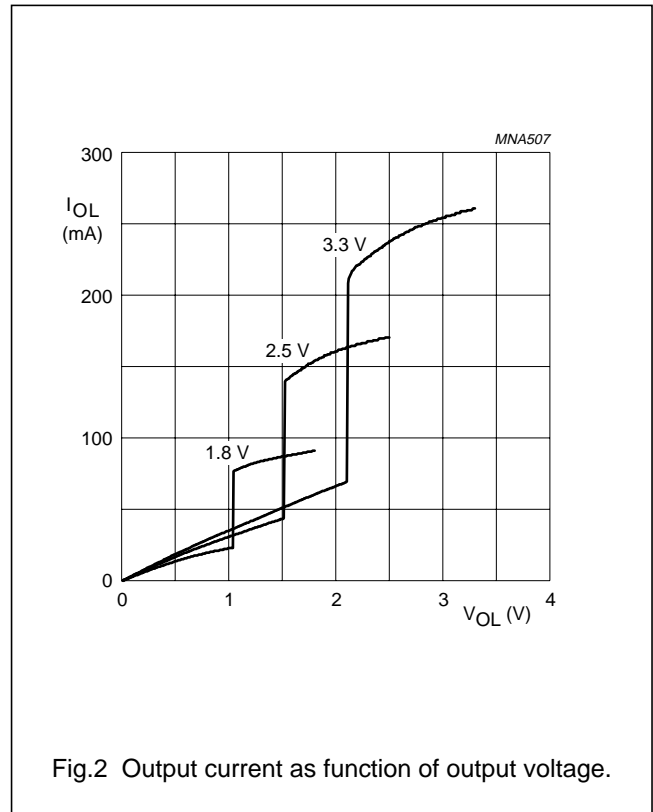
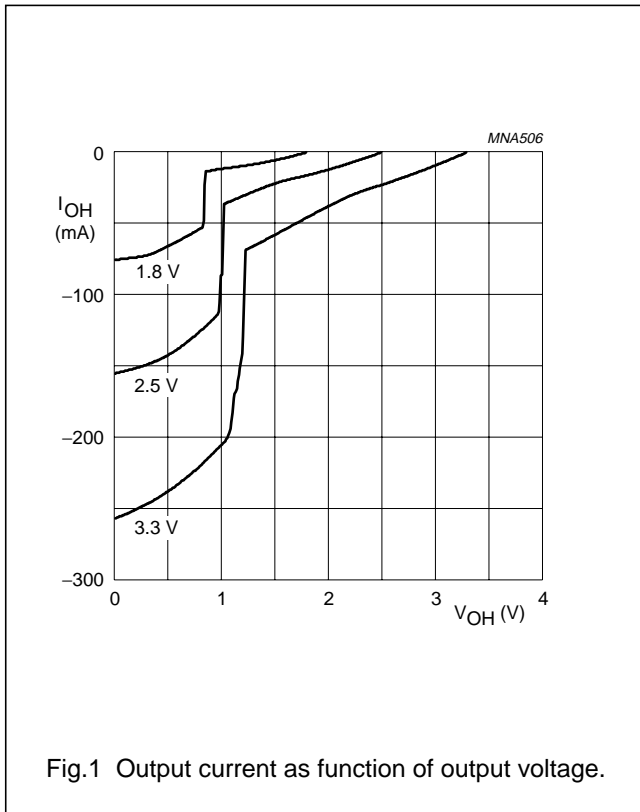
The 74AVC16245 is a 16-bit transceiver featuring non-inverting 3-state bus compatible outputs in both send and receive directions.

The 74AVC16245 features two output enable inputs (\overline{nOE}) for easy cascading and two send/receive inputs ($nDIR$) for direction control. Input \overline{nOE} controls the outputs so that the buses are effectively isolated. This device can be used as two 8-bit transceivers or one 16-bit transceiver.

This product is designed to have an extremely fast propagation delay and a minimum amount of power consumption.

To ensure the high-impedance output state during power-up or power-down, input \overline{nOE} should be tied to V_{CC} through a pull-up resistor (live insertion).

A DCO circuitry is implemented to support termination line drive during transient (see Figs 1 and 2).



16-bit transceiver with direction pin; 3-state (3.6 V tolerant)

74AVC16245

QUICK REFERENCE DATAGND = 0 V; $T_{amb} = 25\text{ }^{\circ}\text{C}$; $t_r = t_f \leq 2.0\text{ ns}$; $C_L = 30\text{ pF}$.

SYMBOL	PARAMETER	CONDITIONS	TYP.	UNIT
t_{PHL}/t_{PLH}	propagation delay nA_n to nB_n ; nB_n to nA_n	$V_{CC} = 1.2\text{ V}$	2.8	ns
		$V_{CC} = 1.5\text{ V}$	1.8	ns
		$V_{CC} = 1.8\text{ V}$	1.8	ns
		$V_{CC} = 2.5\text{ V}$	1.3	ns
		$V_{CC} = 3.3\text{ V}$	1.1	ns
C_I	input capacitance		5.0	pF
C_{PD}	power dissipation capacitance per buffer	notes 1 and 2 outputs enabled	42	pF
		outputs disabled	2	pF

Notes

- C_{PD} is used to determine the dynamic power dissipation (P_D in μW).

$$P_D = C_{PD} \times V_{CC}^2 \times f_i + \sum (C_L \times V_{CC}^2 \times f_o)$$
 where:

 f_i = input frequency in MHz;

 f_o = output frequency in MHz;

 C_L = output load capacitance in pF;

 V_{CC} = supply voltage in Volts;

 $\sum (C_L \times V_{CC}^2 \times f_o)$ = sum of outputs.

- The condition is $V_I = \text{GND}$ to V_{CC} .

FUNCTION TABLE

See note 1.

INPUTS		INPUTS/OUTPUTS	
\overline{nOE}	$nDIR$	nA_n	nB_n
L	L	A = B	inputs
L	H	inputs	B = A
H	X	Z	Z

Note

- H = HIGH voltage level;
L = LOW voltage level;
X = don't care;
Z = high-impedance OFF-state.

16-bit transceiver with direction pin; 3-state
(3.6 V tolerant)

74AVC16245

ORDERING INFORMATION

TYPE NUMBER	PACKAGE				
	TEMPERATURE RANGE	PINS	PACKAGE	MATERIAL	CODE
74AVC16245DGG	-40 to +85 °C	48	TSSOP	plastic	SOT362-1

PINNING

PIN	SYMBOL	DESCRIPTION
1	1DIR	direction control
2, 3, 5, 6, 8, 9, 11 and 12	1B ₀ to 1B ₇	data inputs/outputs
4, 10, 15, 21, 28, 34, 39 and 45	GND	ground (0 V)
7, 18, 31 and 42	V _{CC}	DC supply voltage
13, 14, 16, 17, 19, 20, 22 and 23	2B ₀ to 2B ₇	data inputs/outputs
24	2DIR	direction control
25	2 $\overline{\text{OE}}$	output enable input (active LOW)
26, 27, 29, 30, 32, 33, 35 and 36	2A ₇ to 2A ₀	data inputs/outputs
37, 38, 40, 41, 43, 44, 46 and 47	1A ₇ to 1A ₀	data inputs/outputs
48	1 $\overline{\text{OE}}$	output enable input (active LOW)

16-bit transceiver with direction pin; 3-state
(3.6 V tolerant)

74AVC16245

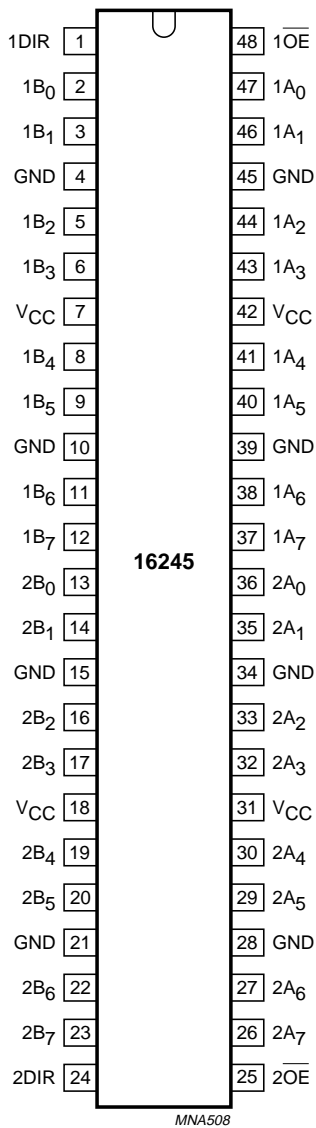


Fig.3 Pin configuration.

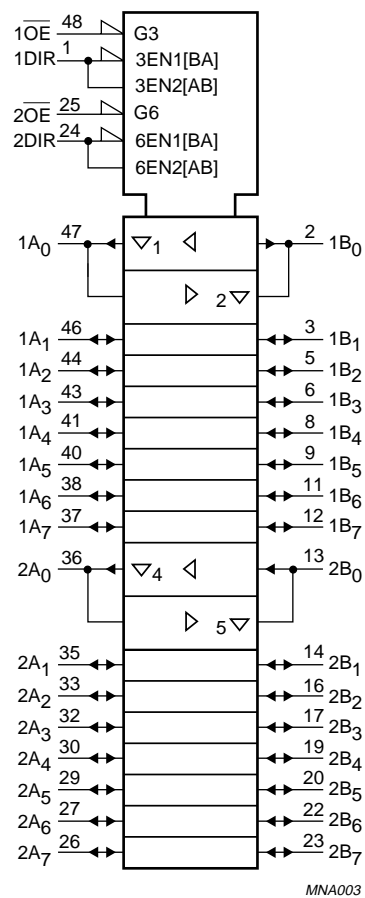


Fig.4 IEEE/IEC logic symbol.

16-bit transceiver with direction pin; 3-state
(3.6 V tolerant)

74AVC16245

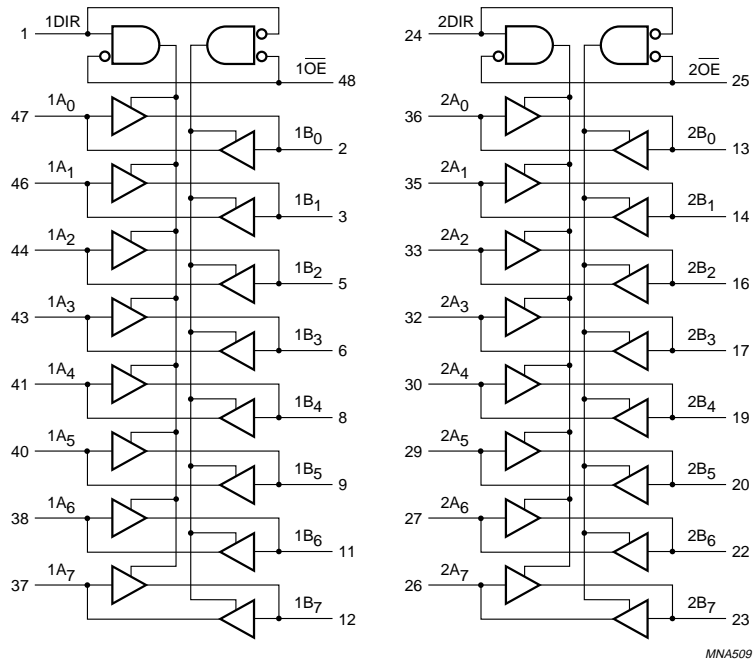


Fig.5 Logic symbol.

16-bit transceiver with direction pin; 3-state (3.6 V tolerant)

74AVC16245

RECOMMENDED OPERATING CONDITIONS

SYMBOL	PARAMETER	CONDITIONS	MIN.	MAX.	UNIT
V_{CC}	DC supply voltage	according JEDEC low-voltage standards	1.65 2.3 3.0	1.95 2.7 3.6	V V V
		low-voltage applications	1.2	3.6	V
V_I	DC input voltage		0	3.6	V
V_O	DC output voltage	3-state	0	3.6	V
		HIGH or LOW state	0	V_{CC}	V
T_{amb}	operating ambient temperature	in free air	-40	+85	°C
t_r, t_f	input rise and fall times	$V_{CC} = 1.65$ to 2.3 V	0	30	ns/V
		$V_{CC} = 2.3$ to 3.0 V	0	20	ns/V
		$V_{CC} = 3.0$ to 3.6 V	0	10	ns/V

LIMITING VALUES

In accordance with the Absolute Maximum Rating System (IEC 134); voltages are referenced to GND (ground = 0 V).

SYMBOL	PARAMETER	CONDITIONS	MIN.	MAX.	UNIT
V_{CC}	DC supply voltage		-0.5	+4.6	V
I_{IK}	DC input diode current	$V_I < 0$ V	-	-50	mA
V_I	DC input voltage	for inputs; note 1	-0.5	+4.6	V
I_{OK}	DC output diode current	$V_O > V_{CC}$ or $V_O < 0$ V	-	±50	mA
V_O	DC output voltage	HIGH or LOW state; note 1	-0.5	$V_{CC} + 0.5$	V
		3-state; note 1	-0.5	+4.6	V
I_O	DC output source or sink current	$V_O = 0$ V to V_{CC}	-	±50	mA
I_{CC}, I_{GND}	DC V_{CC} or GND current		-	±100	mA
T_{stg}	storage temperature		-65	+150	°C
P_{tot}	power dissipation per package	temperature range from -40 to +85 °C; note 2	-	500	mW

Notes

1. The input and output voltage ratings may be exceeded if the input and output current ratings are observed.
2. Above 60 °C the value of P_D derates linearly with 5.5 mW/K.

16-bit transceiver with direction pin; 3-state (3.6 V tolerant)

74AVC16245

DC CHARACTERISTICS

Over recommended operating conditions; voltages are referenced to GND (ground = 0 V).

SYMBOL	PARAMETER	TEST CONDITIONS		T _{amb} = -40 to +85 °C			UNIT
		OTHER	V _{CC} (V)	MIN.	TYP. ⁽¹⁾	MAX.	
V _{IH}	HIGH-level input voltage		1.2	V _{CC}	–	–	V
			1.65 to 1.95	0.65V _{CC}	0.9	–	V
			2.3 to 2.7	1.7	1.2	–	V
			3.0 to 3.6	2.0	1.5	–	V
V _{IL}	LOW-level input voltage		1.2	–	–	GND	V
			1.65 to 1.95	–	0.9	0.35V _{CC}	V
			2.3 to 2.7	–	1.2	0.7	V
			3.0 to 3.6	–	1.5	0.8	V
V _{OH}	HIGH-level output voltage	V _I = V _{IH} or V _{IL} I _O = -100 μA	1.65 to 3.6	V _{CC} - 0.20	V _{CC}	–	V
		I _O = -4 mA	1.65	V _{CC} - 0.45	V _{CC} - 0.10	–	V
		I _O = -8 mA	2.3	V _{CC} - 0.55	V _{CC} - 0.28	–	V
		I _O = -12 mA	3.0	V _{CC} - 0.70	V _{CC} - 0.32	–	V
V _{OL}	LOW-level output voltage	V _I = V _{IH} or V _{IL} I _O = 100 μA	1.65 to 3.6	–	GND	0.20	V
		I _O = 4 mA	1.65	–	0.10	0.45	V
		I _O = 8 mA	2.3	–	0.26	0.55	V
		I _O = 12 mA	3.0	–	0.36	0.70	V
I _I	input leakage current per pin	V _I = V _{CC} or GND	1.65 to 3.6	–	0.1	2.5	μA
I _{off}	power off leakage current	V _I or V _O = 3.6	0	–	0.1	±10	μA
I _{IHZ} /I _{ILZ}	input current for common I/O pins	V _I = V _{CC} or GND	1.65 to 3.6	–	0.1	12.5	μA
I _{OZ}	3-state output OFF-state current	V _I = V _{IH} or V _{IL} ; V _O = V _{CC} or GND	1.65 to 2.7	–	0.1	5	μA
			3.0 to 3.6	–	0.1	10	μA
I _{CC}	quiescent supply current	V _I = V _{CC} or GND; I _O = 0	1.65 to 2.7	–	0.1	20	μA
			3.0 to 3.6	–	0.2	40	μA

Note

1. All typical values are measured at T_{amb} = 25 °C.

16-bit transceiver with direction pin; 3-state
(3.6 V tolerant)

74AVC16245

AC CHARACTERISTICS

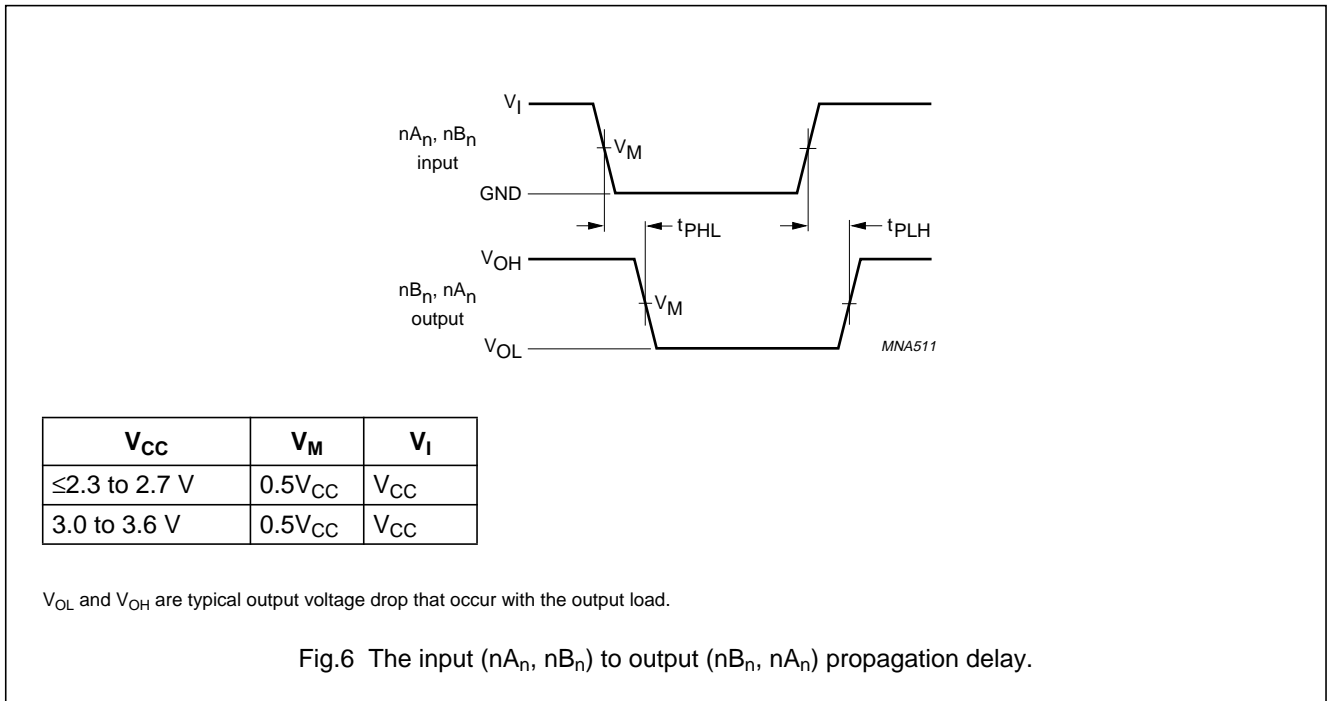
GND = 0 V; $t_r = t_f \leq 2.0$ ns; $C_L = 30$ pF.

SYMBOL	PARAMETER	TEST CONDITIONS		$T_{amb} = -40$ to $+85$ °C			UNIT
		WAVEFORMS	V_{CC} (V)	MIN.	TYP. ⁽¹⁾	MAX.	
t_{PHL}/t_{PLH}	propagation delay nA_n to nB_n ; nB_n to nA_n	see Figs 6 and 8	1.2	–	2.8	–	ns
			1.40 to 1.60	–	1.8	–	ns
			1.65 to 1.95	0.7	1.8	3.0	ns
			2.3 to 2.7	0.6	1.3	1.9	ns
			3.0 to 3.6	0.5	1.1	1.7	ns
t_{PZH}/t_{PZL}	3-state output enable time nOE to nA_n ; nOE to nB_n	see Figs 7 and 8	1.2	–	5.9	–	ns
			1.40 to 1.60	–	3.9	–	ns
			1.65 to 1.95	1.4	3.3	6.5	ns
			2.3 to 2.7	1.0	2.4	4.5	ns
			3.0 to 3.6	0.7	2.0	3.7	ns
t_{PHZ}/t_{PLZ}	3-state output disable time nOE to nA_n ; nOE to nB_n	see Figs 7 and 8	1.2	–	6.9	–	ns
			1.40 to 1.60	–	4.8	–	ns
			1.65 to 1.95	2.2	3.7	6.0	ns
			2.3 to 2.7	1.1	2.0	4.2	ns
			3.0 to 3.6	1.2	2.2	3.7	ns

Note

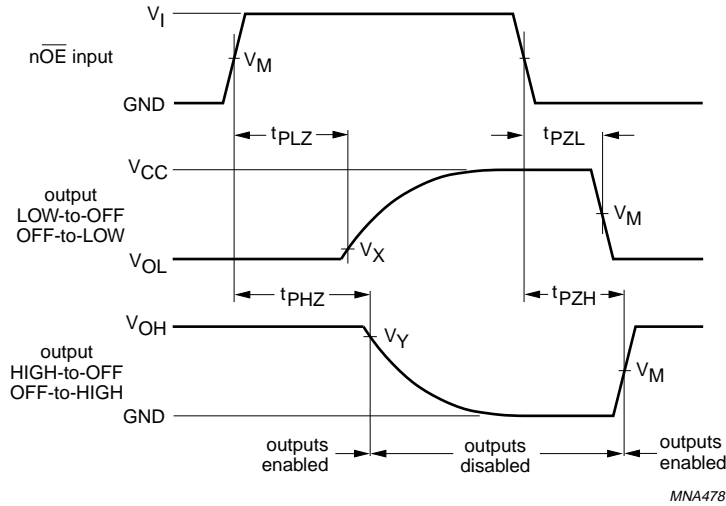
1. All typical values are measured at $T_{amb} = 25$ °C and at $V_{CC} = 1.2$ V, 1.5 V, 1.8 V, 2.5 V or 3.3 V.

AC WAVEFORMS



16-bit transceiver with direction pin; 3-state
(3.6 V tolerant)

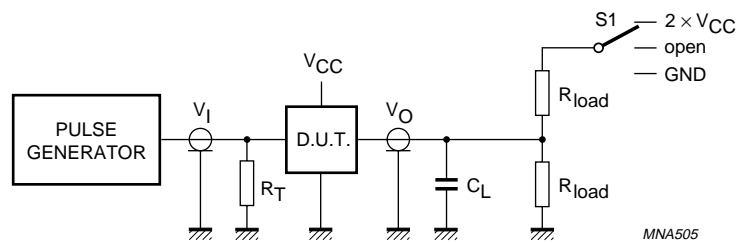
74AVC16245



V_{CC}	V_M	V_X	V_Y	V_I
≤ 2.3 to 2.7 V	$0.5V_{CC}$	$V_{OL} + 0.15$ V	$V_{OH} - 0.15$ V	V_{CC}
3.0 to 3.6 V	$0.5V_{CC}$	$V_{OL} + 0.3$ V	$V_{OH} - 0.3$ V	V_{CC}

V_{OL} and V_{OH} are typical output voltage drop that occur with the output load.

Fig.7 The 3-state enable and disable times.



TEST	S1	V_{CC}	V_I	R_{load}
t_{PLH}/t_{PHL}	open	< 2.3 V	V_{CC}	1000Ω
t_{PLZ}/t_{PZL}	$2 \times V_{CC}$	2.3 to 2.7 V	V_{CC}	500Ω
t_{PHZ}/t_{PZH}	GND	3.0 to 3.6 V	V_{CC}	500Ω

Definitions for test circuit.

C_L = load capacitance including jig and probe capacitance (See Chapter "AC characteristics").

R_T = termination resistance should be equal to the output impedance Z_o of the pulse generator.

Fig.8 Test circuitry for switching times.

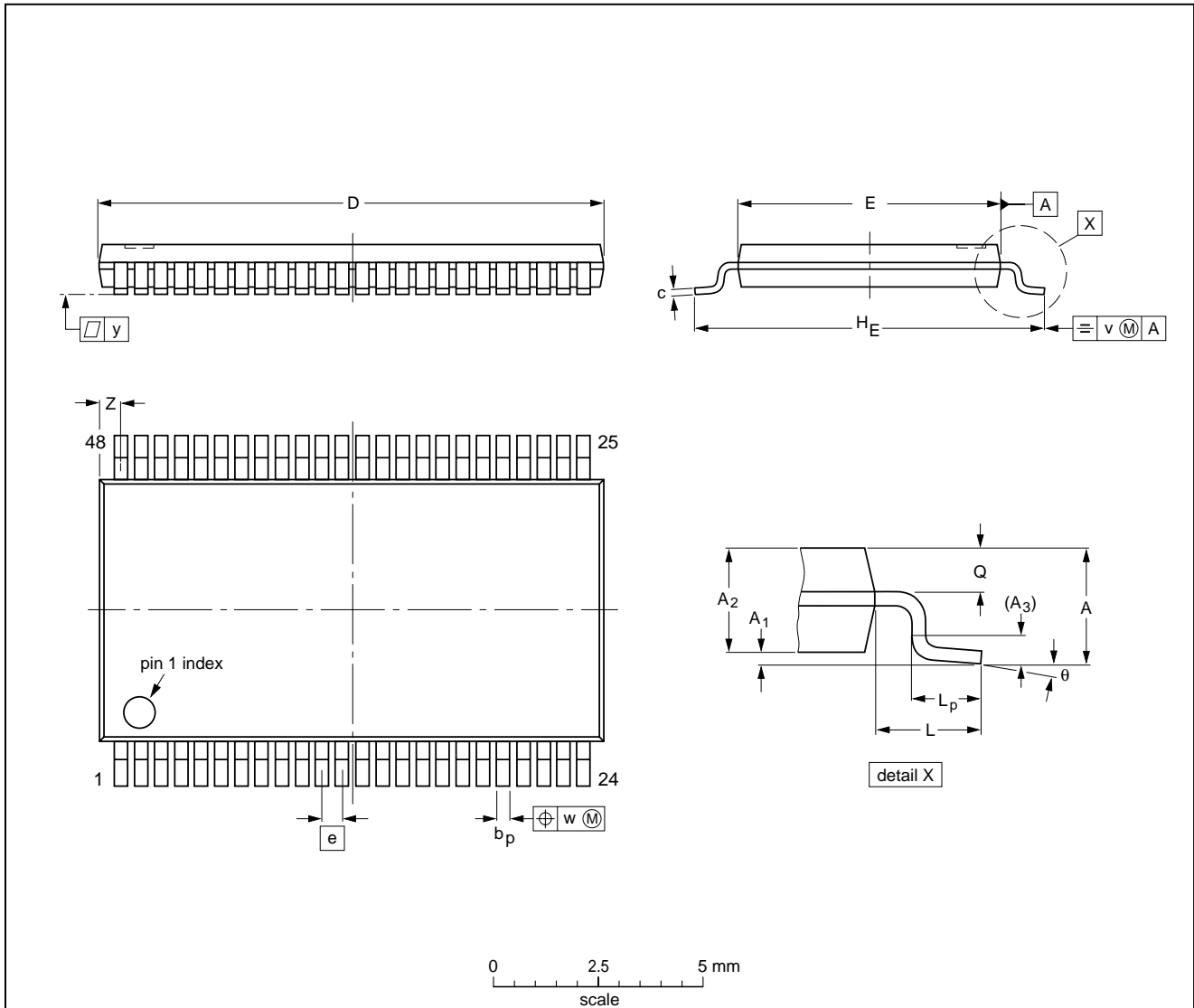
16-bit transceiver with direction pin; 3-state
(3.6 V tolerant)

74AVC16245

PACKAGE OUTLINE

TSSOP48: plastic thin shrink small outline package; 48 leads; body width 6.1 mm

SOT362-1



DIMENSIONS (mm are the original dimensions).

UNIT	A max.	A ₁	A ₂	A ₃	b _p	c	D ⁽¹⁾	E ⁽²⁾	e	H _E	L	L _p	Q	v	w	y	Z	θ
mm	1.2	0.15 0.05	1.05 0.85	0.25	0.28 0.17	0.2 0.1	12.6 12.4	6.2 6.0	0.5	8.3 7.9	1	0.8 0.4	0.50 0.35	0.25	0.08	0.1	0.8 0.4	8° 0°

Notes

1. Plastic or metal protrusions of 0.15 mm maximum per side are not included.
2. Plastic interlead protrusions of 0.25 mm maximum per side are not included.

OUTLINE VERSION	REFERENCES				EUROPEAN PROJECTION	ISSUE DATE
	IEC	JEDEC	EIAJ			
SOT362-1		MO-153ED				93-02-03 95-02-10

16-bit transceiver with direction pin; 3-state (3.6 V tolerant)

74AVC16245

SOLDERING

Introduction to soldering surface mount packages

This text gives a very brief insight to a complex technology. A more in-depth account of soldering ICs can be found in our *"Data Handbook IC26; Integrated Circuit Packages"* (document order number 9398 652 90011).

There is no soldering method that is ideal for all surface mount IC packages. Wave soldering is not always suitable for surface mount ICs, or for printed-circuit boards with high population densities. In these situations reflow soldering is often used.

Reflow soldering

Reflow soldering requires solder paste (a suspension of fine solder particles, flux and binding agent) to be applied to the printed-circuit board by screen printing, stencilling or pressure-syringe dispensing before package placement.

Several methods exist for reflowing; for example, infrared/convection heating in a conveyor type oven. Throughput times (preheating, soldering and cooling) vary between 100 and 200 seconds depending on heating method.

Typical reflow peak temperatures range from 215 to 250 °C. The top-surface temperature of the packages should preferably be kept below 230 °C.

Wave soldering

Conventional single wave soldering is not recommended for surface mount devices (SMDs) or printed-circuit boards with a high component density, as solder bridging and non-wetting can present major problems.

To overcome these problems the double-wave soldering method was specifically developed.

If wave soldering is used the following conditions must be observed for optimal results:

- Use a double-wave soldering method comprising a turbulent wave with high upward pressure followed by a smooth laminar wave.
- For packages with leads on two sides and a pitch (e):
 - larger than or equal to 1.27 mm, the footprint longitudinal axis is **preferred** to be parallel to the transport direction of the printed-circuit board;
 - smaller than 1.27 mm, the footprint longitudinal axis **must** be parallel to the transport direction of the printed-circuit board.

The footprint must incorporate solder thieves at the downstream end.

- For packages with leads on four sides, the footprint must be placed at a 45° angle to the transport direction of the printed-circuit board. The footprint must incorporate solder thieves downstream and at the side corners.

During placement and before soldering, the package must be fixed with a droplet of adhesive. The adhesive can be applied by screen printing, pin transfer or syringe dispensing. The package can be soldered after the adhesive is cured.

Typical dwell time is 4 seconds at 250 °C.

A mildly-activated flux will eliminate the need for removal of corrosive residues in most applications.

Manual soldering

Fix the component by first soldering two diagonally-opposite end leads. Use a low voltage (24 V or less) soldering iron applied to the flat part of the lead. Contact time must be limited to 10 seconds at up to 300 °C.

When using a dedicated tool, all other leads can be soldered in one operation within 2 to 5 seconds between 270 and 320 °C.

16-bit transceiver with direction pin; 3-state (3.6 V tolerant)

74AVC16245

Suitability of surface mount IC packages for wave and reflow soldering methods

PACKAGE	SOLDERING METHOD	
	WAVE	REFLOW ⁽¹⁾
BGA, LFBGA, SQFP, TFBGA	not suitable	suitable
HBCC, HLQFP, HSQFP, HSOP, HTQFP, HTSSOP, SMS	not suitable ⁽²⁾	suitable
PLCC ⁽³⁾ , SO, SOJ	suitable	suitable
LQFP, QFP, TQFP	not recommended ⁽³⁾⁽⁴⁾	suitable
SSOP, TSSOP, VSO	not recommended ⁽⁵⁾	suitable

Notes

- All surface mount (SMD) packages are moisture sensitive. Depending upon the moisture content, the maximum temperature (with respect to time) and body size of the package, there is a risk that internal or external package cracks may occur due to vaporization of the moisture in them (the so called popcorn effect). For details, refer to the Drypack information in the "Data Handbook IC26; Integrated Circuit Packages; Section: Packing Methods".
- These packages are not suitable for wave soldering as a solder joint between the printed-circuit board and heatsink (at bottom version) can not be achieved, and as solder may stick to the heatsink (on top version).
- If wave soldering is considered, then the package must be placed at a 45° angle to the solder wave direction. The package footprint must incorporate solder thieves downstream and at the side corners.
- Wave soldering is only suitable for LQFP, TQFP and QFP packages with a pitch (e) equal to or larger than 0.8 mm; it is definitely not suitable for packages with a pitch (e) equal to or smaller than 0.65 mm.
- Wave soldering is only suitable for SSOP and TSSOP packages with a pitch (e) equal to or larger than 0.65 mm; it is definitely not suitable for packages with a pitch (e) equal to or smaller than 0.5 mm.

DEFINITIONS

Data sheet status	
Objective specification	This data sheet contains target or goal specifications for product development.
Preliminary specification	This data sheet contains preliminary data; supplementary data may be published later.
Product specification	This data sheet contains final product specifications.
Limiting values	
Limiting values given are in accordance with the Absolute Maximum Rating System (IEC 134). Stress above one or more of the limiting values may cause permanent damage to the device. These are stress ratings only and operation of the device at these or at any other conditions above those given in the Characteristics sections of the specification is not implied. Exposure to limiting values for extended periods may affect device reliability.	
Application information	
Where application information is given, it is advisory and does not form part of the specification.	

LIFE SUPPORT APPLICATIONS

These products are not designed for use in life support appliances, devices, or systems where malfunction of these products can reasonably be expected to result in personal injury. Philips customers using or selling these products for use in such applications do so at their own risk and agree to fully indemnify Philips for any damages resulting from such improper use or sale.

16-bit transceiver with direction pin; 3-state
(3.6 V tolerant)

74AVC16245

NOTES

16-bit transceiver with direction pin; 3-state
(3.6 V tolerant)

74AVC16245

NOTES

Philips Semiconductors – a worldwide company

Argentina: see South America

Australia: 3 Figtree Drive, HOMEBUSH, NSW 2140,
Tel. +61 2 9704 8141, Fax. +61 2 9704 8139

Austria: Computerstr. 6, A-1101 WIEN, P.O. Box 213,
Tel. +43 1 60 101 1248, Fax. +43 1 60 101 1210

Belarus: Hotel Minsk Business Center, Bld. 3, r. 1211, Volodarski Str. 6,
220050 MINSK, Tel. +375 172 20 0733, Fax. +375 172 20 0773

Belgium: see The Netherlands

Brazil: see South America

Bulgaria: Philips Bulgaria Ltd., Energoproject, 15th floor,
51 James Bourchier Blvd., 1407 SOFIA,
Tel. +359 2 68 9211, Fax. +359 2 68 9102

Canada: PHILIPS SEMICONDUCTORS/COMPONENTS,
Tel. +1 800 234 7381, Fax. +1 800 943 0087

China/Hong Kong: 501 Hong Kong Industrial Technology Centre,
72 Tat Chee Avenue, Kowloon Tong, HONG KONG,
Tel. +852 2319 7888, Fax. +852 2319 7700

Colombia: see South America

Czech Republic: see Austria

Denmark: Sydhavnsgade 23, 1780 COPENHAGEN V,
Tel. +45 33 29 3333, Fax. +45 33 29 3905

Finland: Sinikalliontie 3, FIN-02630 ESPOO,
Tel. +358 9 615 800, Fax. +358 9 6158 0920

France: 51 Rue Carnot, BP317, 92156 SURESNES Cedex,
Tel. +33 1 4099 6161, Fax. +33 1 4099 6427

Germany: Hammerbrookstraße 69, D-20097 HAMBURG,
Tel. +49 40 2353 60, Fax. +49 40 2353 6300

Hungary: see Austria

India: Philips INDIA Ltd, Band Box Building, 2nd floor,
254-D, Dr. Annie Besant Road, Worli, MUMBAI 400 025,
Tel. +91 22 493 8541, Fax. +91 22 493 0966

Indonesia: PT Philips Development Corporation, Semiconductors Division,
Gedung Philips, Jl. Buncit Raya Kav.99-100, JAKARTA 12510,
Tel. +62 21 794 0040 ext. 2501, Fax. +62 21 794 0080

Ireland: Newstead, Clonskeagh, DUBLIN 14,
Tel. +353 1 7640 000, Fax. +353 1 7640 200

Israel: RAPAC Electronics, 7 Kehilat Saloniki St, PO Box 18053,
TEL AVIV 61180, Tel. +972 3 645 0444, Fax. +972 3 649 1007

Italy: PHILIPS SEMICONDUCTORS, Via Casati, 23 - 20052 MONZA (MI),
Tel. +39 039 203 6838, Fax +39 039 203 6800

Japan: Philips Bldg 13-37, Kohnan 2-chome, Minato-ku,
TOKYO 108-8507, Tel. +81 3 3740 5130, Fax. +81 3 3740 5057

Korea: Philips House, 260-199 Itaewon-dong, Yongsan-ku, SEOUL,
Tel. +82 2 709 1412, Fax. +82 2 709 1415

Malaysia: No. 76 Jalan Universiti, 46200 PETALING JAYA, SELANGOR,
Tel. +60 3 750 5214, Fax. +60 3 757 4880

Mexico: 5900 Gateway East, Suite 200, EL PASO, TEXAS 79905,
Tel. +9-5 800 234 7381, Fax +9-5 800 943 0087

Middle East: see Italy

Netherlands: Postbus 90050, 5600 PB EINDHOVEN, Bldg. VB,
Tel. +31 40 27 82785, Fax. +31 40 27 88399

New Zealand: 2 Wagener Place, C.P.O. Box 1041, AUCKLAND,
Tel. +64 9 849 4160, Fax. +64 9 849 7811

Norway: Box 1, Manglerud 0612, OSLO,
Tel. +47 22 74 8000, Fax. +47 22 74 8341

Pakistan: see Singapore

Philippines: Philips Semiconductors Philippines Inc.,
106 Valero St. Salcedo Village, P.O. Box 2108 MCC, MAKATI,
Metro MANILA, Tel. +63 2 816 6380, Fax. +63 2 817 3474

Poland: Al.Jerozolimskie 195 B, 02-222 WARSAW,
Tel. +48 22 5710 000, Fax. +48 22 5710 001

Portugal: see Spain

Romania: see Italy

Russia: Philips Russia, Ul. Usatcheva 35A, 119048 MOSCOW,
Tel. +7 095 755 6918, Fax. +7 095 755 6919

Singapore: Lorong 1, Toa Payoh, SINGAPORE 319762,
Tel. +65 350 2538, Fax. +65 251 6500

Slovakia: see Austria

Slovenia: see Italy

South Africa: S.A. PHILIPS Pty Ltd., 195-215 Main Road Martindale,
2092 JOHANNESBURG, P.O. Box 58088 Newville 2114,
Tel. +27 11 471 5401, Fax. +27 11 471 5398

South America: Al. Vicente Pinzon, 173, 6th floor,
04547-130 SÃO PAULO, SP, Brazil,
Tel. +55 11 821 2333, Fax. +55 11 821 2382

Spain: Balmes 22, 08007 BARCELONA,
Tel. +34 93 301 6312, Fax. +34 93 301 4107

Sweden: Kottbygatan 7, Akalla, S-16485 STOCKHOLM,
Tel. +46 8 5985 2000, Fax. +46 8 5985 2745

Switzerland: Allmendstrasse 140, CH-8027 ZÜRICH,
Tel. +41 1 488 2741 Fax. +41 1 488 3263

Taiwan: Philips Semiconductors, 6F, No. 96, Chien Kuo N. Rd., Sec. 1,
TAIPEI, Taiwan Tel. +886 2 2134 2886, Fax. +886 2 2134 2874

Thailand: PHILIPS ELECTRONICS (THAILAND) Ltd.,
209/2 Sanpavuth-Bangna Road Prakanong, BANGKOK 10260,
Tel. +66 2 745 4090, Fax. +66 2 398 0793

Turkey: Yukari Dudullu, Org. San. Blg., 2.Cad. Nr. 28 81260 Umraniye,
ISTANBUL, Tel. +90 216 522 1500, Fax. +90 216 522 1813

Ukraine: PHILIPS UKRAINE, 4 Patrice Lumumba str., Building B, Floor 7,
252042 KIEV, Tel. +380 44 264 2776, Fax. +380 44 268 0461

United Kingdom: Philips Semiconductors Ltd., 276 Bath Road, Hayes,
MIDDLESEX UB3 5BX, Tel. +44 208 730 5000, Fax. +44 208 754 8421

United States: 811 East Arques Avenue, SUNNYVALE, CA 94088-3409,
Tel. +1 800 234 7381, Fax. +1 800 943 0087

Uruguay: see South America

Vietnam: see Singapore

Yugoslavia: PHILIPS, Trg N. Pasica 5/v, 11000 BEOGRAD,
Tel. +381 11 62 5344, Fax.+381 11 63 5777

For all other countries apply to: Philips Semiconductors,
International Marketing & Sales Communications, Building BE-p, P.O. Box 218,
5600 MD EINDHOVEN, The Netherlands, Fax. +31 40 27 24825

Internet: <http://www.semiconductors.philips.com>

© Philips Electronics N.V. 1999

SCA 68

All rights are reserved. Reproduction in whole or in part is prohibited without the prior written consent of the copyright owner.

The information presented in this document does not form part of any quotation or contract, is believed to be accurate and reliable and may be changed without notice. No liability will be accepted by the publisher for any consequence of its use. Publication thereof does not convey nor imply any license under patent- or other industrial or intellectual property rights.

Printed in The Netherlands

245004/02/pp16

Date of release: 1999 Nov 15

Document order number: 9397 750 06481

Let's make things better.

Philips
Semiconductors



PHILIPS