

# DATA SHEET

**TDA8540**

**4 × 4 video switch matrix**

Product specification  
Supersedes data of April 1993  
File under Integrated Circuits, IC02

1995 Feb 06

**Philips Semiconductors**



**PHILIPS**

**4 × 4 video switch matrix****TDA8540****FEATURES**

- I<sup>2</sup>C-bus or non-I<sup>2</sup>C-bus mode (controlled by DC voltages)
- S-VHS or CVBS processing
- 3-state switches for all channels
- Selectable gain for the video channels
- sub-address facility
- Slave receiver in the I<sup>2</sup>C mode
- Auxiliary logic outputs for audio switching
- System expansion possible up to 7 devices (28 sources)
- Static short-circuit proof outputs
- ESD protection.

**GENERAL DESCRIPTION**

The TDA8540 has been designed for switching between composite video signals, therefore the minimum of four input lines are provided as requested for switching between two S-VHS sources. Each of the four outputs can be set to a high impedance state, to enable parallel connection of several devices.

**APPLICATIONS**

- Colour Television (CTV) receivers
- Peritelevision sets
- Satellite receivers.

**QUICK REFERENCE DATA**

SYMBOL	PARAMETER	CONDITIONS	MIN.	TYP.	MAX.	UNIT
V <sub>CC</sub>	supply voltage		7.2	–	8.8	V
I <sub>CC</sub>	supply current		–	20	30	mA
I <sub>SO</sub>	isolation 'OFF' state	at f = 5 MHz	60	80	–	dB
B	3 dB bandwidth		12	–	–	MHz
α <sub>ct</sub>	crosstalk attenuation between channels		60	70	–	dB

**ORDERING INFORMATION**

TYPE NUMBER	PACKAGE		
	NAME	DESCRIPTION	VERSION
TDA8540	DIP20	plastic dual in-line package; 20 leads (300 mil)	SOT146-1
TDA8540T	SO20	plastic small outline package; 20 leads; body width 7.5 mm	SOT163-1

4 × 4 video switch matrix

TDA8540

BLOCK DIAGRAM

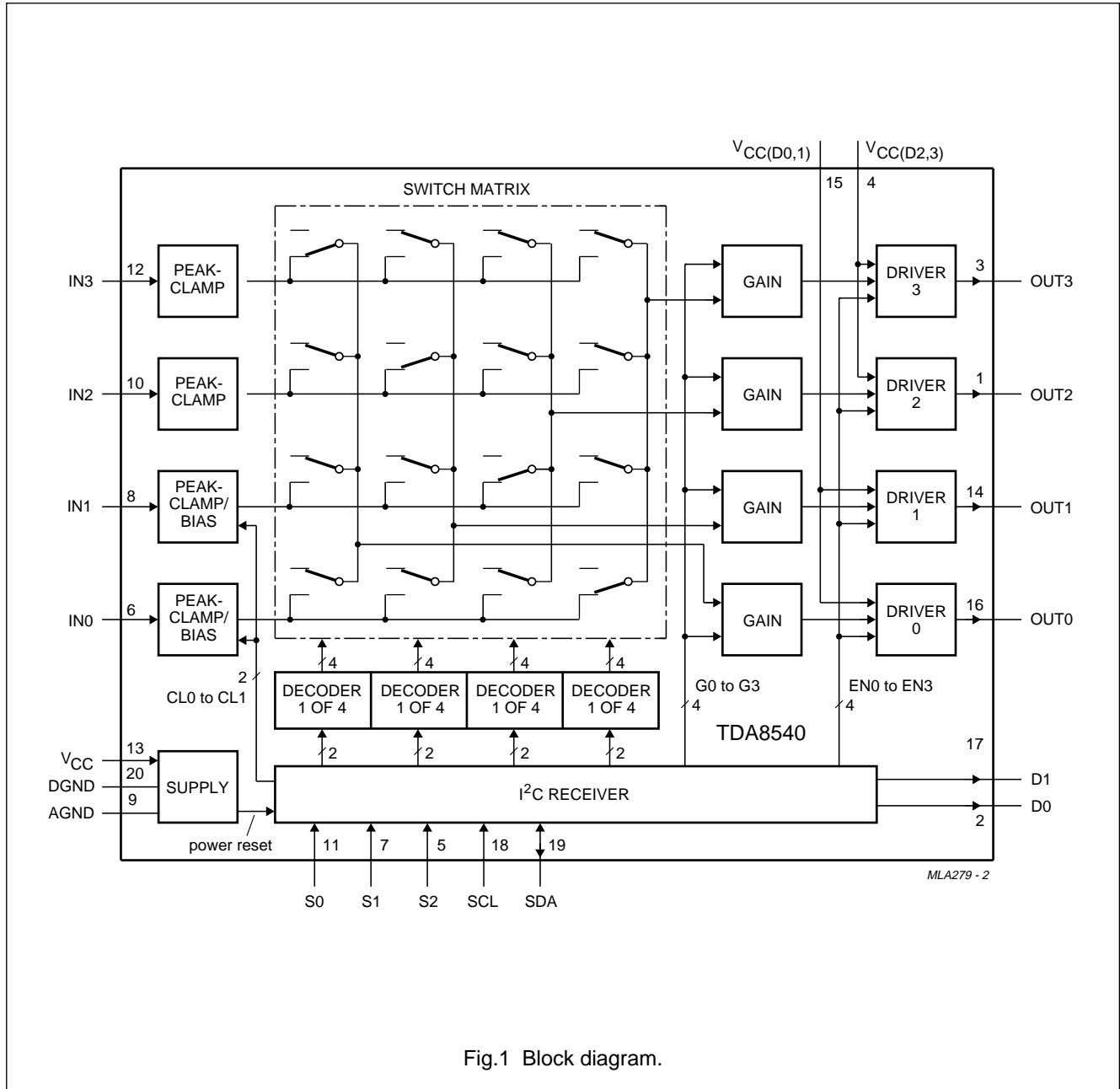


Fig.1 Block diagram.

4 × 4 video switch matrix

TDA8540

**PINNING**

SYMBOL	PIN	DESCRIPTION
OUT2	1	video output 2
D0	2	control output 0
OUT3	3	video output 3
V <sub>CC(D2,3)</sub>	4	driver supply voltage; for drivers 2 and 3
S2	5	sub-address input 2
IN0	6	video input 0 (CVBS or chrominance signal)
S1	7	sub-address input 1
IN1	8	video input 1 (CVBS or chrominance signal)
AGND	9	analog ground
IN2	10	video input 2 (CVBS or luminance signal)
S0	11	sub-address input 0
IN3	12	video input 3 (CVBS or luminance signal)
V <sub>CC</sub>	13	general supply voltage
OUT1	14	video output 1
V <sub>CC(D0,1)</sub>	15	driver supply voltage; for drivers 0 and 1
OUT0	16	video output 0
D1	17	control output 1
SCL	18	serial clock input
SDA	19	serial data input/output
DGND	20	digital ground

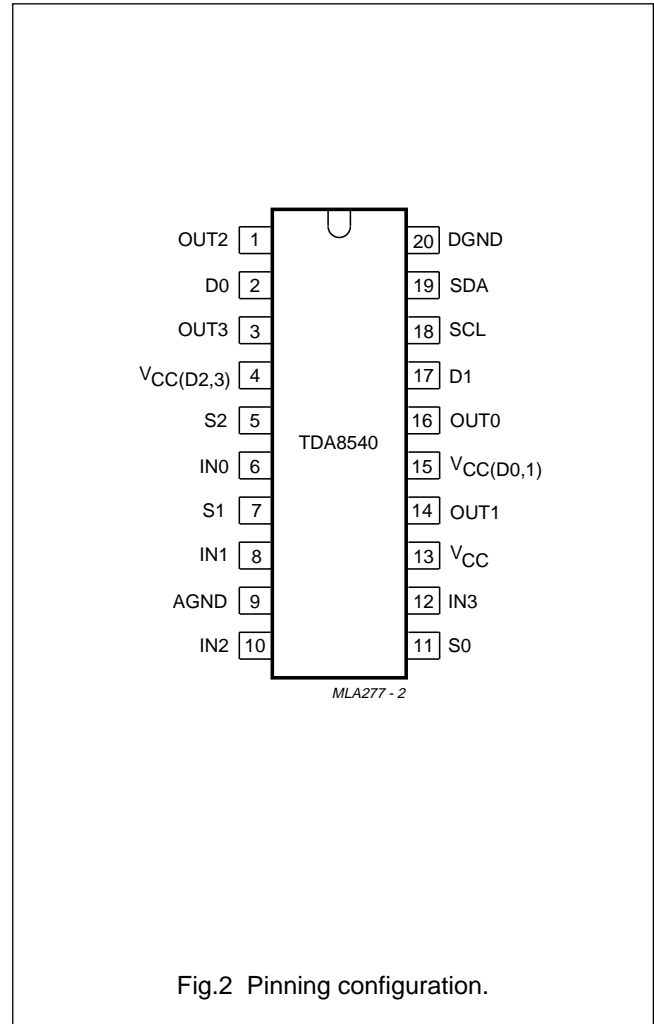


Fig.2 Pinning configuration.

4 × 4 video switch matrix

TDA8540

**FUNCTIONAL DESCRIPTION**

The TDA8540 is controlled via a bidirectional I<sup>2</sup>C-bus. 3 bits of the I<sup>2</sup>C address can be selected via the address pin, thus providing a facility for parallel connection of 7 devices.

Control options via the I<sup>2</sup>C-bus:

- The input signals can be clamped at their negative peak (top sync).
- The gain factor of the outputs can be selected between 1× or 2×.
- Each of the four outputs can individually be connected to one of the four inputs.
- Each output can individually be set in a high impedance state.
- Two binary output data lines can be controlled for switching accompanying sound signals.

The SDA and SCL pins (pins 19 and 18) can be connected to the I<sup>2</sup>C-bus or to DC switching voltage sources. Address inputs S0 to S2 (pins 11, 7 and 5) are used to select sub-addresses or switching to the non-I<sup>2</sup>C mode. Inputs S0 to S2 can be connected to the supply voltage (HIGH) or the ground (LOW). In this way no peripheral components are required for selection.

**Table 1** I<sup>2</sup>C-bus sub-addressing

S2	S1	S0	SUB-ADDRESS		
			A2	A1	A0
L	L	L	0	0	0
L	L	H	0	0	1
L	H	L	0	1	0
L	H	H	0	1	1
H	L	L	1	0	0
H	L	H	1	0	1
H	H	L	1	1	0
H	H	H	non I <sup>2</sup> C addressable		

**I<sup>2</sup>C-bus control**

After power-up the outputs are initialized in the high impedance state, and D0 and D1 are at a LOW level.

Detailed description of the I<sup>2</sup>C-bus specification, with applications, is given in brochure “The I<sup>2</sup>C-bus and how to use it”. This brochure may be ordered using the code 9398 393 40011.

The TDA8540 is a **slave receiver** and the protocol is given in Table 2.

**Table 2** The TDA8540 protocol

SEQUENCE									
S <sup>(1)</sup>	SLV <sup>(2)</sup>	A <sup>(3)</sup>	SUB	A <sup>(3)</sup>	DATA	A <sup>(3)</sup>	DATA	A <sup>(3)</sup>	P <sup>(4)</sup>

**Notes**

1. S = START condition.
2. Data transmission to the TDA8540 starts with the slave address (SLV).
3. A = acknowledge bit, generated by TDA8540.
4. P = STOP condition.

**Table 3** Data transmission to the TDA8540 begins with SLV

A6 MSB	A5	A4	A3	A2	A1	A0	R/W LSB
1	0	0	1	A2 <sup>(1)</sup>	A1 <sup>(1)</sup>	A0 <sup>(1)</sup>	0 <sup>(2)</sup>

**Notes**

1. A2 to A0: pin programmable slave address bits.
2. R/W = 0; write only.

After the SLV, a second byte, SUB, is required for selecting the functions, as shown in Table 4.

## 4 × 4 video switch matrix

## TDA8540

**Table 4** The second byte: SUB

7 MSB	6	5	4	3	2	1	0 LSB
0	0	0	0	0	0	RS1	RS0

Options for SUB:

If SUB = 00H: access to switch control (SW1)

If SUB = 01H: access to gain/clamp/data control (GCO)

If SUB = 02H: access to output enable control (OEN).

**Remarks:**

If more than one data byte is sent, the SUB byte will be automatically incremented.

If more than 3 data bytes are sent, the internal counter will roll over and the device will then rewrite the first register.

**Data Bytes**

SWI (SUB = 00H): selects which input is connected to the different outputs, as shown in Table 5.

**Table 5** SWI (SUB = 00H) selection of inputs connected to outputs

7 MSB	6	5	4	3	2	1	0 LSB
S31	S30	S21	S20	S11	S10	S01	S00

**Table 6** Selection of inputs

OUTPUT	S <sub>j1</sub> AND S <sub>j0</sub> <sup>(1)</sup>			
	00	01	10	11
OUT <sub>j</sub>	IN0	IN1	IN2	IN3

**Note**

1. For j = 0 to 3.

Example: if S<sub>21</sub> = 0 and S<sub>20</sub> = 1, then OUT<sub>2</sub> is connected to IN<sub>1</sub>.

GCO (SUB = 01H):

- Selects the gain of each output.
- Selects the clamp action or mean value on inputs 0 and 1.
- Determines the value of the auxiliary outputs D1 and D0.

**Table 7** GCO byte

7 MSB	6	5	4	3	2	1	0 LSB
G3 <sup>(1)</sup>	G2 <sup>(1)</sup>	G1 <sup>(1)</sup>	G0 <sup>(1)</sup>	CL1 <sup>(2)</sup>	CL0 <sup>(2)</sup>	D1 <sup>(3)</sup>	D0 <sup>(3)</sup>

**Notes**

1. For j = 0 to 3: if G<sub>j</sub> = 0 (1), then output j has a gain of 2 (1).

2. If CL0 (CL1) = 0, then input signal on IN0 (IN1) is clamped.

3. For j = 0 or 1: if D<sub>j</sub> = 0 (1), then logical output j is LOW (HIGH).

## 4 × 4 video switch matrix

## TDA8540

OEN (SUB = 02H): selects, for each output, if the output is active or high impedance, see Table 8.

**Table 8** OEN (SUB = 02H) determines which output is active or high impedance

7 MSB	6	5	4	3	2	1	0 LSB
X <sup>(1)</sup>	X <sup>(1)</sup>	X <sup>(1)</sup>	X <sup>(1)</sup>	EN3 <sup>(2)</sup>	EN2 <sup>(2)</sup>	EN1 <sup>(2)</sup>	EN0 <sup>(2)</sup>

**Notes**

1. X = don't care.
2. For j = 0 to 3: if ENj = 0 (1), then OUT j is high impedance (active).

After a power-on reset:

- The outputs are set to a high impedance state; the outputs are connected to IN0; the gains are set at two and inputs IN0 and IN1 are clamped.
- Programming of the device is necessary because the outputs are in high impedance state.

**Non-I<sup>2</sup>C-bus control**

If the S0, S1 and S2 pins are all connected to V<sub>CC</sub> the device will enter the non-I<sup>2</sup>C-bus mode.

After a power-on reset:

- Gain is set at two for all outputs.
- All inputs are clamped.
- All outputs are active.
- The matrix position is given by the SDA and SCL voltage level.

**Table 9** Non-I<sup>2</sup>C-bus control

OUTPUT	SCL AND SDA			
	00	01	10	11
OUT3	IN3	IN2	IN1	IN0
OUT2	IN2	IN3	IN0	IN1
OUT1	IN1	IN0	IN3	IN2
OUT0	IN0	IN1	IN2	IN3

SCL and SDA act as normal input pins:

SCL interchanges (OUT3 and OUT2) with (OUT1 and OUT0).

SDA interchanges OUT3 with OUT2 and OUT1 with OUT0.

**Remark:** For use with chrominance signals, the clamp action must be overruled by external bias.

## 4 × 4 video switch matrix

## TDA8540

**LIMITING VALUES**

In accordance with the Absolute Maximum System (IEC 134).

SYMBOL	PARAMETER	CONDITIONS	MIN.	MAX.	UNIT
V <sub>CC</sub>	supply voltage (pin 13)		-0.3	+9.1	V
P <sub>tot</sub>	total power dissipation		-	750	mW
V <sub>CC(D0,1), V<sub>CC(D2,3)</sub></sub>	driver supply voltage		-0.3	+13.8	V
IN0 to IN3	video input voltage		-0.3	+7.2	V
OUT0 to OUT3	video output voltage		-0.3	+7.2	V
D0, D1	control output voltage		-0.3	+7.2	V
SDA, SDL	I <sup>2</sup> C input/output voltage		-0.3	+8.8	V
S0 to S2	sub-address input voltage		-0.3	+8.8	V
T <sub>stg</sub>	IC storage temperature		-55	+125	°C
T <sub>j</sub>	junction temperature		-	+150	°C
V <sub>es</sub>	electrostatic handling	HBM; note 1	-1500	+1500	V
		MM; note 2	-200	+200	V

**Notes**

- Human Body Model (HBM): in accordance with UZW-BO/FQ-A302.
- Machine Model (MM): in accordance with UZW-BO/FQ-B302 (stress reference pins: AGND and DGND short-circuited and V<sub>CC</sub>).

**THERMAL CHARACTERISTICS**

SYMBOL	PARAMETER	VALUE	UNIT
R <sub>th j-a</sub>	thermal resistance from junction to ambient in free air		
	SOT146-1	60 (typ.)	K/W
	SOT163-1	85 (typ.)	K/W

**OPERATING CHARACTERISTICS**

SYMBOL	PARAMETER	CONDITIONS	MIN.	TYP.	MAX.	UNIT
<b>General</b>						
V <sub>CC</sub>	supply voltage (pin 13)		7.2	-	8.8	V
T <sub>amb</sub>	operating ambient temperature		0	-	70	°C
<b>Video inputs (pins 6, 8, 10 and 12)</b>						
C <sub>I</sub>	external capacitor		-	100	-	nF
V <sub>I(p-p)</sub>	C signal amplitude (peak-to-peak value)	note 1	-	-	1	V
V <sub>I(p-p)</sub>	CVBS or Y-signal amplitude (peak-to-peak value)	note 2	-	-	1.5	V
<b>Video drivers (pins 4 and 15)</b>						
R <sub>D</sub>	external collector resistor	note 3	-	25	-	Ω
C <sub>D</sub>	external decoupling capacitor	note 4	-	22	-	μF



## 4 × 4 video switch matrix

## TDA8540

SYMBOL	PARAMETER	CONDITIONS	MIN.	TYP.	MAX.	UNIT
<b>Sub-address S0, S1 and S2 (pins 5, 7 and 11)</b>						
V <sub>IH</sub>	HIGH level input voltage		4	–	V <sub>CC</sub>	V
V <sub>IL</sub>	LOW level input voltage		0	–	1	V

**Notes**

1. Only for pins 6 and 8 when clamp action is not selected for these pins.
2. On all the video input pins, when non-I<sup>2</sup>C-bus control mode is selected or when clamp action is selected on pins 6 and 8 (by I<sup>2</sup>C-bus control).
3. Connected between V<sub>CC</sub> and pin 4 or pin 15.
4. Connected between AGND and pin 4 or pin 15.

**CHARACTERISTICS**

V<sub>CC</sub> = 8 V; T<sub>amb</sub> = 25 °C; gain condition, clamp condition and OFF state are controlled by the I<sup>2</sup>C-bus; unless otherwise specified.

SYMBOL	PARAMETER	CONDITIONS	MIN.	TYP.	MAX.	UNIT
<b>Supply</b>						
I <sub>CC</sub>	supply current	without load	–	20	30	mA
		OFF state	–	12	–	mA
<b>Video inputs: IN0 to IN3 when the clamp is active (see Figs 3 and 4)</b>						
I <sub>LI</sub>	input leakage current	V <sub>I</sub> = 3 V	–	0.4	1	μA
V <sub>clamp</sub>	input clamping voltage	I <sub>I</sub> = 5 μA	–	2.2	–	V
I <sub>clamp</sub>	input clamping current	V <sub>I</sub> = 0 V	1.2	–	–	mA
<b>Video inputs: IN0 and IN2 when the clamp is not active (see Fig.3)</b>						
V <sub>bias</sub>	DC input bias level	I <sub>I</sub> = 0	–	2.9	–	V
R <sub>I</sub>	input resistance		–	10	–	kΩ
<b>Video outputs: OUT0 to OUT3 (see Fig.5)</b>						
Z <sub>O</sub>	output impedance	OFF state	100	–	–	kΩ
R <sub>O</sub>	output resistance		–	5	–	Ω
ISO	isolation	OFF state; f = 5 MHz	60	–	–	dB
V <sub>O</sub>	output top sync level; (Y or CVBS)		0.4	0.7	1	V
V <sub>bias</sub>	output mean value for chrominance signals	G = 2; load = 150 Ω	1.5	1.9	2.2	V
		G = 1; without load	1	1.3	1.6	V
G <sub>V</sub>	voltage gain	G = 1; f = 1 MHz	–1	0	+1	dB
		G = 2; f = 1 MHz	5	6	7	dB
G <sub>diff</sub>	differential gain	note 1	–	0.5	3	%
φ <sub>diff</sub>	differential phase	note 1	–	0.6	–	deg
NL	non linearity	note 2	–	0.5	2	%
α <sub>ct</sub>	crosstalk attenuation between channels	note 3	60	70	–	dB
SVRR	supply voltage rejection	note 4	36	55	–	dB

## 4 × 4 video switch matrix

## TDA8540

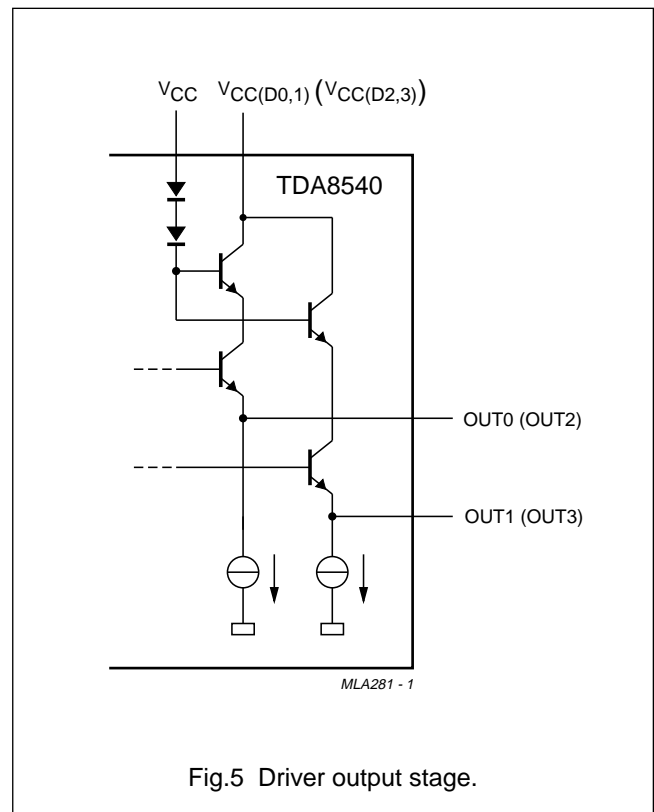
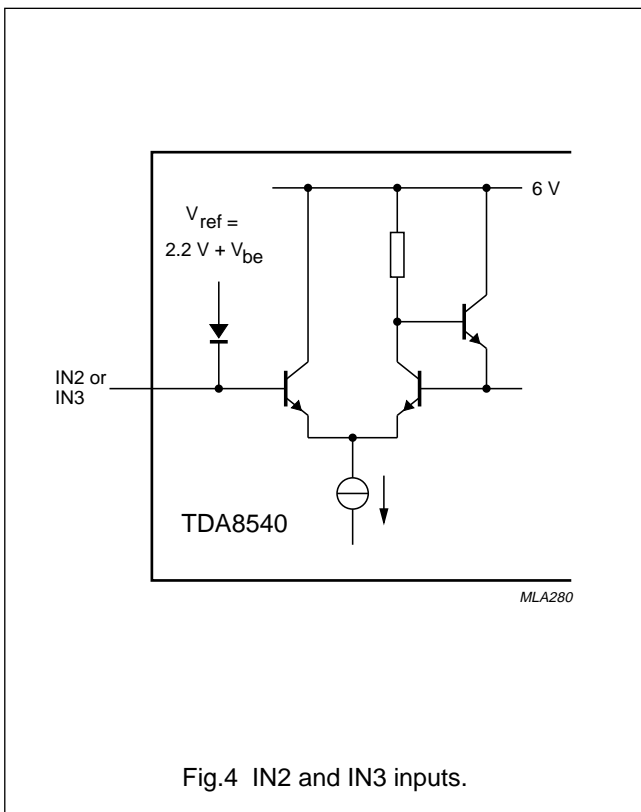
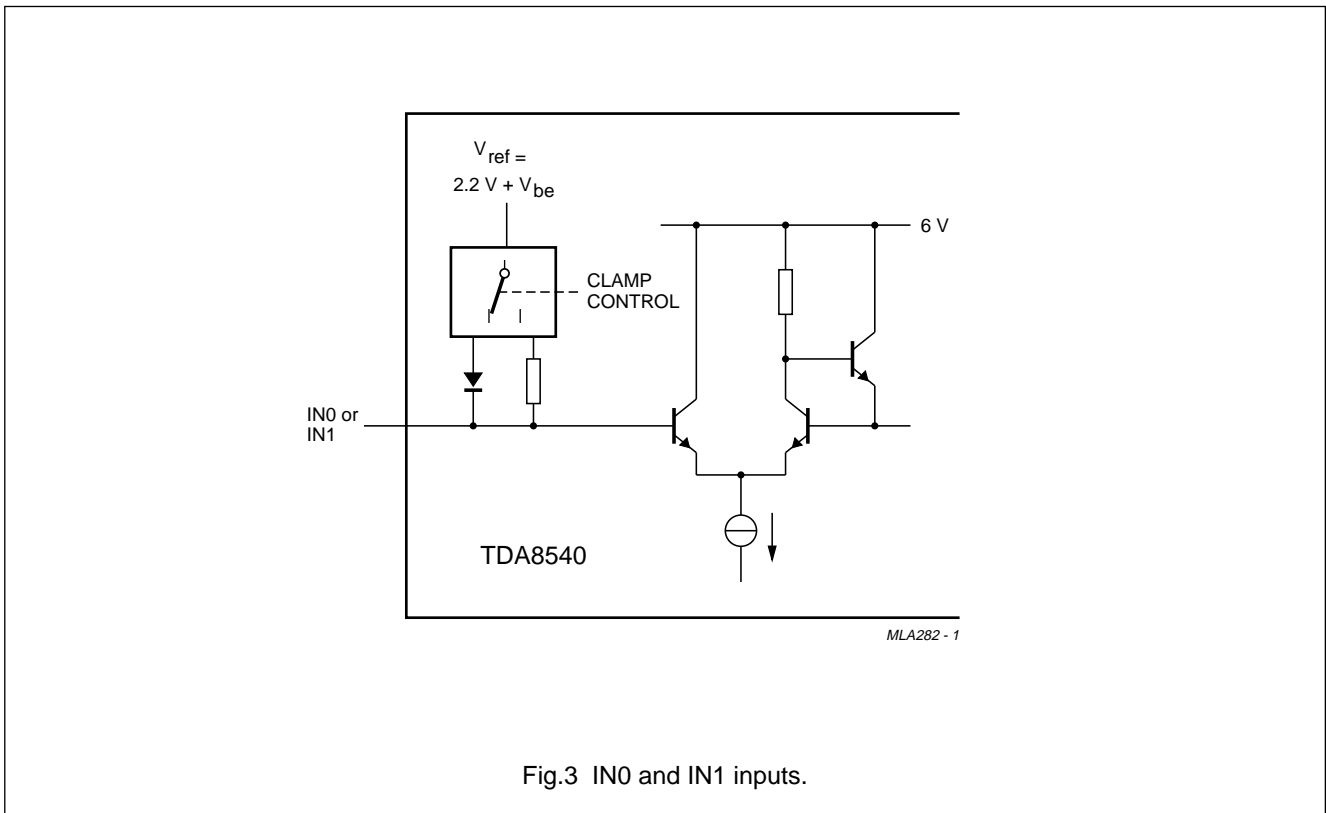
SYMBOL	PARAMETER	CONDITIONS	MIN.	TYP.	MAX.	UNIT
ΔG	maximum gain variation	100 kHz < f < 5 MHz	–	0.5	–	dB
		100 kHz < f < 8.5 MHz	–	1	–	dB
		100 kHz < f < 12 MHz	–	3	–	dB
α <sub>ct</sub>	crosstalk attenuation of I <sup>2</sup> C-bus signals		60	–	–	dB
<b>Auxiliary outputs D0 and D1 (open collector)</b>						
I <sub>OH</sub>	HIGH level output current	V <sub>OH</sub> = 5.5 V	–	–	10	μA
V <sub>OL</sub>	LOW level output voltage	I <sub>OL</sub> = 4 mA	–	–	0.4	V
<b>I<sup>2</sup>C-bus inputs SCL and SDA</b>						
I <sub>IH</sub>	HIGH level input current	V <sub>IH</sub> = 3.0 V	–	–	10	μA
I <sub>IL</sub>	LOW level input current	V <sub>IL</sub> = 1.5 V	–10	–	–	μA
C <sub>i</sub>	input capacitance		–	–	10	pF
<b>I<sup>2</sup>C-bus output SDA</b>						
V <sub>OL</sub>	LOW level output voltage	I <sub>OL</sub> = 3 mA	–	–	0.4	V
<b>Sub-address S0, S1 and S2</b>						
I <sub>IH</sub>	HIGH level input current	V <sub>IH</sub> = V <sub>CC</sub>	–	–	10	μA
I <sub>IL</sub>	LOW level input current	V <sub>IL</sub> = 0 V	–	–	10	μA

**Notes**

- Gain set at 2; R<sub>L</sub> = 150 Ω; test signal D2 from CCIR 330.
- Gain set at 2; R<sub>L</sub> = 150 Ω; test signal D1 from CCIR 17.
- Measured from any selected input to output; f = 5 MHz; R<sub>L</sub> = 150 Ω; gain set at 2; V<sub>i</sub> = 1.5 V (peak-to-peak value). This measurement requires an optimized board.
- Supply voltage ripple rejection:  $20 \log \frac{V_{\text{ripple (supply)}}}{V_{\text{ripple (on output)}}$  ;  
measured at f = 1 kHz with V<sub>ripple (supply max)</sub> = 100 mV (peak-to-peak value).  
The supply voltage rejection ratio is >36 dB at f<sub>max</sub> = 100 kHz.

4 × 4 video switch matrix

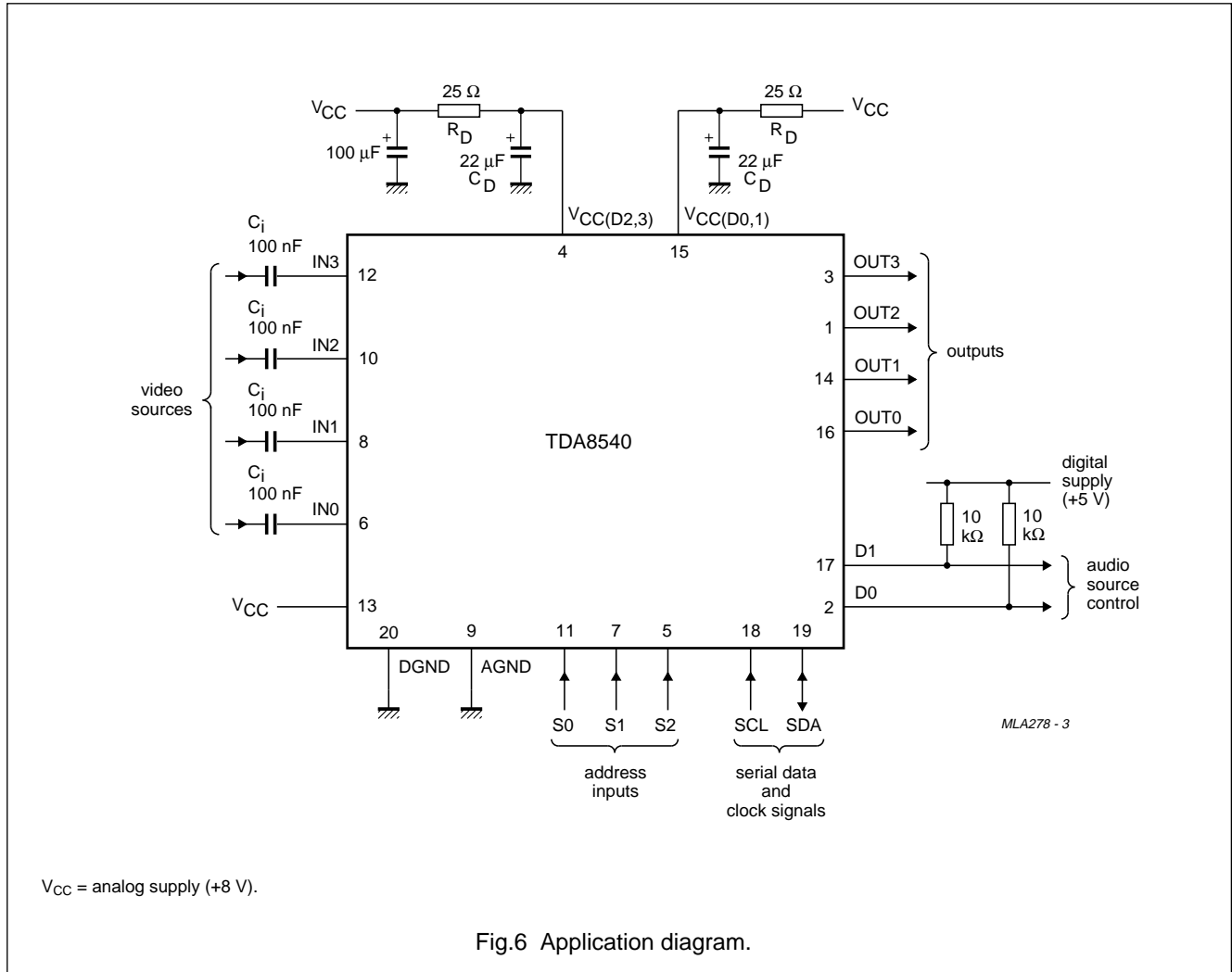
TDA8540



4 × 4 video switch matrix

TDA8540

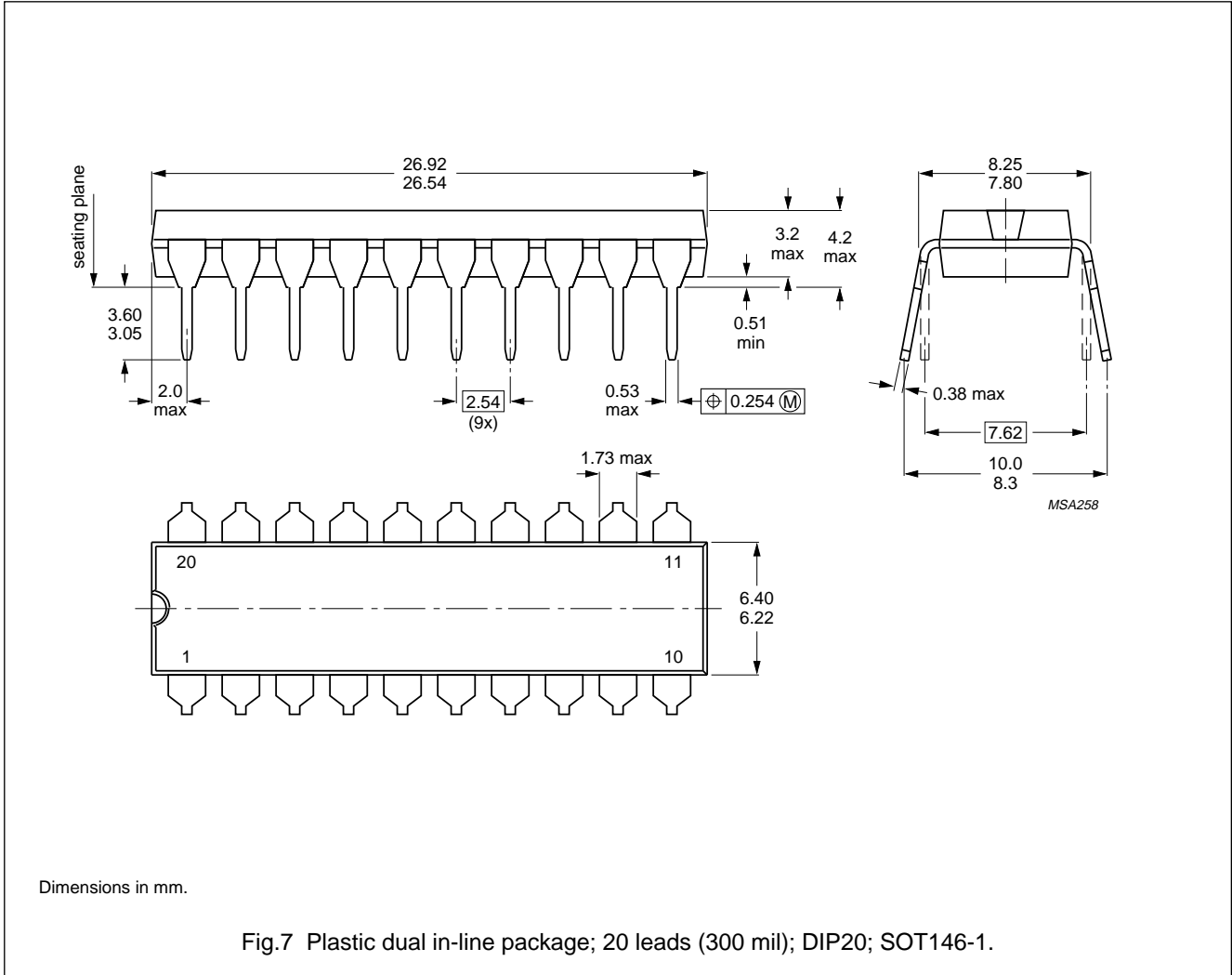
APPLICATION INFORMATION



4 × 4 video switch matrix

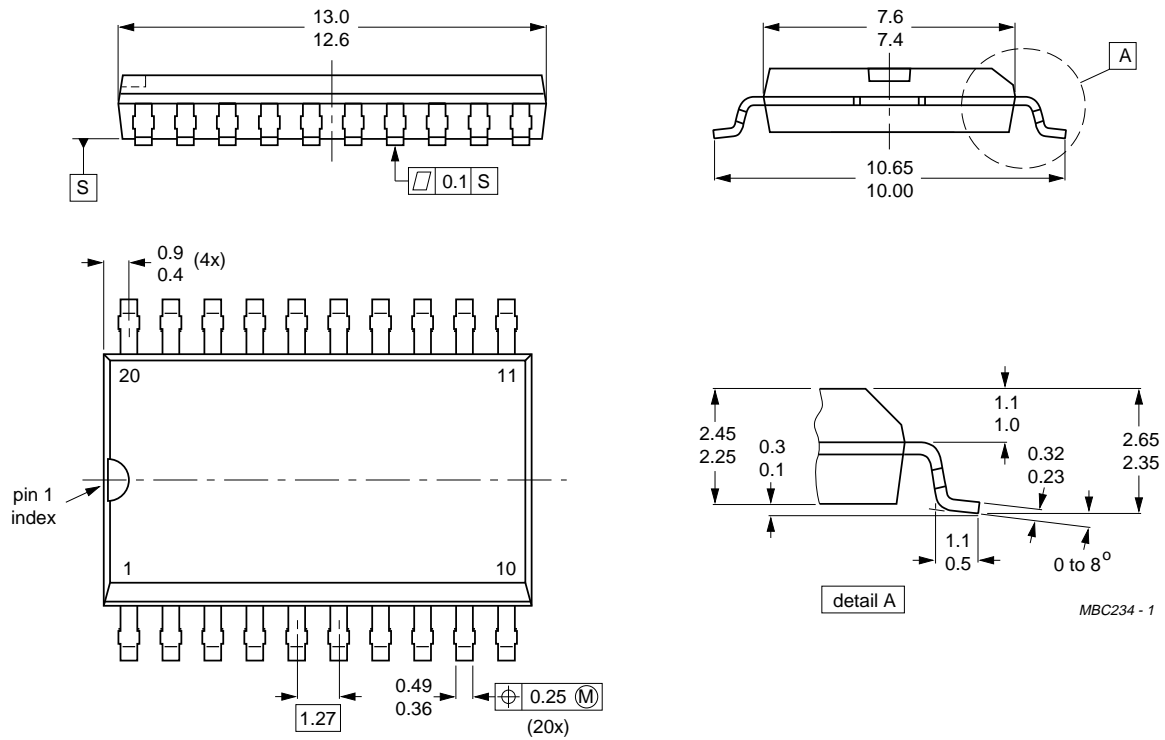
TDA8540

PACKAGE OUTLINES



4 × 4 video switch matrix

TDA8540



Dimensions in mm.

Fig.8 Plastic small outline package; 20 leads; body width 7.5 mm (SO20; SOT163-1).

---

**4 × 4 video switch matrix****TDA8540**

---

**SOLDERING****Plastic small outline packages**

## BY WAVE

During placement and before soldering, the component must be fixed with a droplet of adhesive. After curing the adhesive, the component can be soldered. The adhesive can be applied by screen printing, pin transfer or syringe dispensing.

Maximum permissible solder temperature is 260 °C, and maximum duration of package immersion in solder bath is 10 s, if allowed to cool to less than 150 °C within 6 s. Typical dwell time is 4 s at 250 °C.

A modified wave soldering technique is recommended using two solder waves (dual-wave), in which a turbulent wave with high upward pressure is followed by a smooth laminar wave. Using a mildly-activated flux eliminates the need for removal of corrosive residues in most applications.

## BY SOLDER PASTE REFLOW

Reflow soldering requires the solder paste (a suspension of fine solder particles, flux and binding agent) to be applied to the substrate by screen printing, stencilling or pressure-syringe dispensing before device placement.

Several techniques exist for reflowing; for example, thermal conduction by heated belt, infrared, and vapour-phase reflow. Dwell times vary between 50 and 300 s according to method. Typical reflow temperatures range from 215 to 250 °C.

Preheating is necessary to dry the paste and evaporate the binding agent. Preheating duration: 45 min at 45 °C.

## REPAIRING SOLDERED JOINTS (BY HAND-HELD SOLDERING IRON OR PULSE-HEATED SOLDER TOOL)

Fix the component by first soldering two, diagonally opposite, end pins. Apply the heating tool to the flat part of the pin only. Contact time must be limited to 10 s at up to 300 °C. When using proper tools, all other pins can be soldered in one operation within 2 to 5 s at between 270 and 320 °C. (Pulse-heated soldering is not recommended for SO packages.)

For pulse-heated solder tool (resistance) soldering of VSO packages, solder is applied to the substrate by dipping or by an extra thick tin/lead plating before package placement.

**Plastic dual in-line packages**

## BY DIP OR WAVE

The maximum permissible temperature of the solder is 260 °C; this temperature must not be in contact with the joint for more than 5 s. The total contact time of successive solder waves must not exceed 5 s.

The device may be mounted up to the seating plane, but the temperature of the plastic body must not exceed the specified storage maximum. If the printed-circuit board has been pre-heated, forced cooling may be necessary immediately after soldering to keep the temperature within the permissible limit.

## REPAIRING SOLDERED JOINTS

Apply a low voltage soldering iron below the seating plane (or not more than 2 mm above it). If its temperature is below 300 °C, it must not be in contact for more than 10 s; if between 300 and 400 °C, for not more than 5 s.

**4 × 4 video switch matrix****TDA8540****DEFINITIONS**

<b>Data sheet status</b>	
Objective specification	This data sheet contains target or goal specifications for product development.
Preliminary specification	This data sheet contains preliminary data; supplementary data may be published later.
Product specification	This data sheet contains final product specifications.
<b>Limiting values</b>	
Limiting values given are in accordance with the Absolute Maximum Rating System (IEC 134). Stress above one or more of the limiting values may cause permanent damage to the device. These are stress ratings only and operation of the device at these or at any other conditions above those given in the Characteristics sections of the specification is not implied. Exposure to limiting values for extended periods may affect device reliability.	
<b>Application information</b>	
Where application information is given, it is advisory and does not form part of the specification.	

**LIFE SUPPORT APPLICATIONS**

These products are not designed for use in life support appliances, devices, or systems where malfunction of these products can reasonably be expected to result in personal injury. Philips customers using or selling these products for use in such applications do so at their own risk and agree to fully indemnify Philips for any damages resulting from such improper use or sale.

**PURCHASE OF PHILIPS I<sup>2</sup>C COMPONENTS**

Purchase of Philips I<sup>2</sup>C components conveys a license under the Philips' I<sup>2</sup>C patent to use the components in the I<sup>2</sup>C system provided the system conforms to the I<sup>2</sup>C specification defined by Philips. This specification can be ordered using the code 9398 393 40011.



4 × 4 video switch matrix

TDA8540

---

**NOTES**

4 × 4 video switch matrix

TDA8540

---

**NOTES**

4 × 4 video switch matrix

TDA8540

---

**NOTES**

## Philips Semiconductors – a worldwide company

**Argentina:** IEROD, Av. Juramento 1992 - 14.b, (1428)  
BUENOS AIRES, Tel. (541)786 7633, Fax. (541)786 9367

**Australia:** 34 Waterloo Road, NORTH RYDE, NSW 2113,  
Tel. (02)805 4455, Fax. (02)805 4466

**Austria:** Triester Str. 64, A-1101 WIEN, P.O. Box 213,  
Tel. (01)60 101-1236, Fax. (01)60 101-1211

**Belgium:** Postbus 90050, 5600 PB EINDHOVEN, The Netherlands,  
Tel. (31)40 783 749, Fax. (31)40 788 399

**Brazil:** Rua do Rocio 220 - 5<sup>th</sup> floor, Suite 51,  
CEP: 04552-903-SÃO PAULO-SP, Brazil.  
P.O. Box 7383 (01064-970).

Tel. (011)821-2333, Fax. (011)829-1849

**Canada:** PHILIPS SEMICONDUCTORS/COMPONENTS:  
Tel. (800) 234-7381, Fax. (708) 296-8556

**Chile:** Av. Santa Maria 0760, SANTIAGO,  
Tel. (02)773 816, Fax. (02)777 6730

**Colombia:** IPRELENZO LTDA, Carrera 21 No. 56-17,  
77621 BOGOTA, Tel. (571)249 7624/(571)217 4609,  
Fax. (571)217 4549

**Denmark:** Prags Boulevard 80, PB 1919, DK-2300 COPENHAGEN S,  
Tel. (032)88 2636, Fax. (031)57 1949

**Finland:** Sinikalliontie 3, FIN-02630 ESPOO,  
Tel. (9)0-50261, Fax. (9)0-520971

**France:** 4 Rue du Port-aux-Vins, BP317,  
92156 SURESNES Cedex,  
Tel. (01)4099 6161, Fax. (01)4099 6427

**Germany:** P.O. Box 10 63 23, 20043 HAMBURG,  
Tel. (040)3296-0, Fax. (040)3296 213.

**Greece:** No. 15, 25th March Street, GR 17778 TAVROS,  
Tel. (01)4894 339/4894 911, Fax. (01)4814 240

**Hong Kong:** PHILIPS HONG KONG Ltd., 15/F Philips Ind. Bldg.,  
24-28 Kung Yip St., KWAI CHUNG, N.T.,  
Tel. (852)424 5121, Fax. (852)480 6960/480 6009

**India:** Philips INDIA Ltd, Shivsagar Estate, A Block,  
Dr. Annie Besant Rd. Worli, Bombay 400 018  
Tel. (022)4938 541, Fax. (022)4938 722

**Indonesia:** Philips House, Jalan H.R. Rasuna Said Kav. 3-4,  
P.O. Box 4252, JAKARTA 12950,  
Tel. (021)5201 122, Fax. (021)5205 189

**Ireland:** Newstead, Clonskeagh, DUBLIN 14,  
Tel. (01)640 000, Fax. (01)640 200

**Italy:** PHILIPS SEMICONDUCTORS S.r.l.,  
Piazza IV Novembre 3, 20124 MILANO,  
Tel. (0039)2 6752 2531, Fax. (0039)2 6752 2557

**Japan:** Philips Bldg 13-37, Kohnan2-chome, Minato-ku, TOKYO 108,  
Tel. (03)3740 5028, Fax. (03)3740 0580

**Korea:** (Republic of) Philips House, 260-199 Itaewon-dong,  
Yongsan-ku, SEOUL, Tel. (02)794-5011, Fax. (02)798-8022

**Malaysia:** No. 76 Jalan Universiti, 46200 PETALING JAYA,  
SELANGOR, Tel. (03)750 5214, Fax. (03)757 4880

**Mexico:** 5900 Gateway East, Suite 200, EL PASO, TX 79905,  
Tel. 9-5(800)234-7381, Fax. (708)296-8556

**Netherlands:** Postbus 90050, 5600 PB EINDHOVEN, Bldg. VB  
Tel. (040)783749, Fax. (040)788399

**New Zealand:** 2 Wagener Place, C.P.O. Box 1041, AUCKLAND,  
Tel. (09)849-4160, Fax. (09)849-7811

**Norway:** Box 1, Manglerud 0612, OSLO,  
Tel. (022)74 8000, Fax. (022)74 8341

**Pakistan:** Philips Electrical Industries of Pakistan Ltd.,  
Exchange Bldg. ST-2/A, Block 9, KDA Scheme 5, Clifton,  
KARACHI 75600, Tel. (021)587 4641-49,  
Fax. (021)577035/5874546.

**Philippines:** PHILIPS SEMICONDUCTORS PHILIPPINES Inc,  
106 Valero St. Salcedo Village, P.O. Box 2108 MCC, MAKATI,  
Metro MANILA, Tel. (02)810 0161, Fax. (02)817 3474

**Portugal:** PHILIPS PORTUGUESA, S.A.,  
Rua dr. António Loureiro Borges 5, Arquiparque - Miraflores,  
Apartado 300, 2795 LINDA-A-VELHA,  
Tel. (01)4163160/4163333, Fax. (01)4163174/4163366.

**Singapore:** Lorong 1, Toa Payoh, SINGAPORE 1231,  
Tel. (65)350 2000, Fax. (65)251 6500

**South Africa:** S.A. PHILIPS Pty Ltd.,  
195-215 Main Road Martindale, 2092 JOHANNESBURG,  
P.O. Box 7430 Johannesburg 2000,  
Tel. (011)470-5911, Fax. (011)470-5494.

**Spain:** Balmes 22, 08007 BARCELONA,  
Tel. (03)301 6312, Fax. (03)301 42 43

**Sweden:** Kottbygatan 7, Akalla. S-164 85 STOCKHOLM,  
Tel. (0)8-632 2000, Fax. (0)8-632 2745

**Switzerland:** Allmendstrasse 140, CH-8027 ZÜRICH,  
Tel. (01)488 2211, Fax. (01)481 77 30

**Taiwan:** PHILIPS TAIWAN Ltd., 23-30F, 66, Chung Hsiao West  
Road, Sec. 1. Taipei, Taiwan ROC, P.O. Box 22978,  
TAIPEI 100, Tel. (02)388 7666, Fax. (02)382 4382.

**Thailand:** PHILIPS ELECTRONICS (THAILAND) Ltd.,  
209/2 Sanpavuth-Bangna Road Prakanong,  
Bangkok 10260, THAILAND,  
Tel. (662)398-0141, Fax. (662)398-3319.

**Turkey:** Talatpasa Cad. No. 5, 80640 GÜLTEPE/ISTANBUL,  
Tel. (0212)279 2770, Fax. (0212)282 6707

**United Kingdom:** Philips Semiconductors LTD.,  
276 Bath Road, Hayes, MIDDLESEX UB3 5BX,  
Tel. (0181)730-5000, Fax. (0181)754-8421

**United States:** 811 East Arques Avenue, SUNNYVALE,  
CA 94088-3409, Tel. (800)234-7381, Fax. (708)296-8556

**Uruguay:** Coronel Mora 433, MONTEVIDEO,  
Tel. (02)70-4044, Fax. (02)92 0601

**Internet:** <http://www.semiconductors.philips.com/ps/>

**For all other countries apply to:** Philips Semiconductors,  
International Marketing and Sales, Building BE-p,  
P.O. Box 218, 5600 MD, EINDHOVEN, The Netherlands,  
Telex 35000 phtcnl, Fax. +31-40-724825

SCD38 © Philips Electronics N.V. 1994

All rights are reserved. Reproduction in whole or in part is prohibited without the prior written consent of the copyright owner.

The information presented in this document does not form part of any quotation or contract, is believed to be accurate and reliable and may be changed without notice. No liability will be accepted by the publisher for any consequence of its use. Publication thereof does not convey nor imply any license under patent- or other industrial or intellectual property rights.

Printed in The Netherlands

533061/1500/03/pp20

Document order number:

Date of release: 1995 Feb 06

9397 747 30011

# Philips Semiconductors



# PHILIPS