

International  
**IR** Rectifier

PD- 94240

# IRGPS40B120UD

INSULATED GATE BIPOLAR TRANSISTOR WITH  
ULTRAFast SOFT RECOVERY DIODE

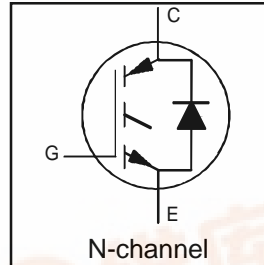
UltraFast Co-Pack IGBT

**Features**

- Non Punch Through IGBT Technology.
- Low Diode VF.
- 10µs Short Circuit Capability.
- Square RBSOA.
- Ultrasoft Diode Reverse Recovery Characteristics.
- Positive VCE (on) Temperature Coefficient.
- Super-247 Package.

**Benefits**

- Benchmark Efficiency for Motor Control.
- Rugged Transient Performance.
- Low EMI.
- Significantly Less Snubber Required
- Excellent Current Sharing in Parallel Operation.



$V_{CES} = 1200V$   
 $V_{CE(on)} \text{ typ.} = 3.12V$   
@  $V_{GE} = 15V,$   
 $I_{CE} = 40A, T_j = 25^\circ C$



**Absolute Maximum Ratings**

	Parameter	Max.	Units
$V_{CES}$	Collector-to-Emitter Voltage	1200	V
$I_C @ T_C = 25^\circ C$	Continuous Collector Current	80	A
$I_C @ T_C = 100^\circ C$	Continuous Collector Current	40	
$I_{CM}$	Pulsed Collector Current	160	
$I_{LM}$	Clamped Inductive Load Current	160	
$I_F @ T_C = 25^\circ C$	Diode Continuous Forward Current	80	
$I_F @ T_C = 100^\circ C$	Diode Continuous Forward Current	40	
$I_{FM}$	Diode Maximum Forward Current	160	
$V_{GE}$	Gate-to-Emitter Voltage	$\pm 20$	V
$P_D @ T_C = 25^\circ C$	Maximum Power Dissipation	595	W
$P_D @ T_C = 100^\circ C$	Maximum Power Dissipation	238	
$T_J$	Operating Junction and	-55 to +150	$^\circ C$
$T_{STG}$	Storage Temperature Range		
	Soldering Temperature, for 10 sec.	300 (0.063 in. (1.6mm) from case)	

**Thermal Resistance**

	Parameter	Min.	Typ.	Max.	Units
$R_{\theta JC}$	Junction-to-Case - IGBT	—	—	0.20	$^\circ C/W$
$R_{\theta JC}$	Junction-to-Case - Diode	—	—	0.83	
$R_{\theta CS}$	Case-to-Sink, flat, greased surface	—	0.24	—	
$R_{\theta JA}$	Junction-to-Ambient, typical socket mount	—	—	40	
	Recommended Clip Force	20 (2)	—	—	N(kgf)
Wt	Weight	—	6.0 (0.21)	—	g (oz)
Le	Internal Emitter Inductance (5mm from package)	—	13	—	nH



# IRGPS40B120UD

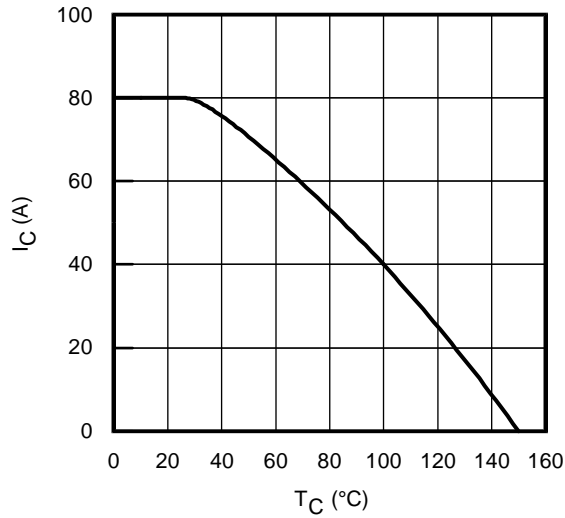
International  
**IR** Rectifier

## Electrical Characteristics @ T<sub>J</sub> = 25°C (unless otherwise specified)

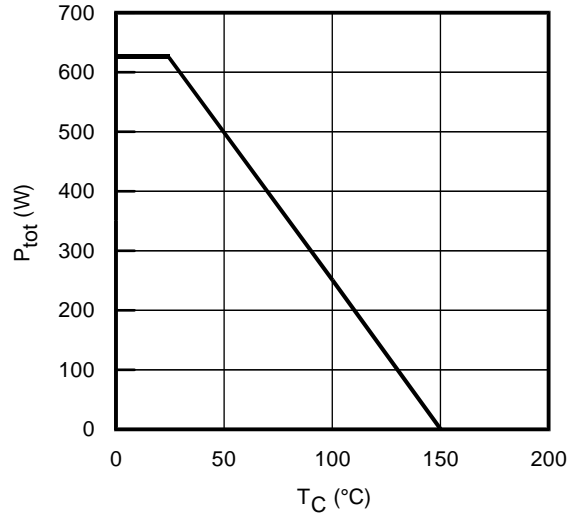
	Parameter	Min.	Typ.	Max.	Units	Conditions	Ref.Fig.
V <sub>(BR)CES</sub>	Collector-to-Emitter Breakdown Voltage	1200	—	—	V	V <sub>GE</sub> = 0V, I <sub>C</sub> = 500μA	
ΔV <sub>(BR)CES</sub> /ΔT <sub>J</sub>	Temperature Coeff. of Breakdown Voltage	—	0.40	—	V/°C	V <sub>GE</sub> = 0V, I <sub>C</sub> = 1.0mA, (25°C-125°C)	
V <sub>CE(on)</sub>	Collector-to-Emitter Saturation Voltage	—	3.12	3.40	V	I <sub>C</sub> = 40A V <sub>GE</sub> = 15V	5, 6
		—	3.39	3.70			7, 9
		—	3.88	4.30			10
		—	4.24	4.70			11
V <sub>GE(th)</sub>	Gate Threshold Voltage	4.0	5.0	6.0		V <sub>CE</sub> = V <sub>GE</sub> , I <sub>C</sub> = 250μA	9,10
ΔV <sub>GE(th)</sub> /ΔT <sub>J</sub>	Temperature Coeff. of Threshold Voltage	—	-12	—	mV/°C	V <sub>CE</sub> = V <sub>GE</sub> , I <sub>C</sub> = 1.0mA, (25°C-125°C)	11,12
g <sub>fe</sub>	Forward Transconductance	—	30.5	—	S	V <sub>CE</sub> = 50V, I <sub>C</sub> = 40A, PW=80μs	
I <sub>CES</sub>	Zero Gate Voltage Collector Current	—	—	500	μA	V <sub>GE</sub> = 0V, V <sub>CE</sub> = 1200V	
		—	420	1200		V <sub>GE</sub> = 0V, V <sub>CE</sub> = 1200V, T <sub>J</sub> = 125°C	
V <sub>FM</sub>	Diode Forward Voltage Drop	—	2.03	2.40	V	I <sub>C</sub> = 40A	8
		—	2.17	2.60		I <sub>C</sub> = 50A	
		—	2.26	2.68		I <sub>C</sub> = 40A, T <sub>J</sub> = 125°C	
		—	2.46	2.95		I <sub>C</sub> = 50A, T <sub>J</sub> = 125°C	
I <sub>GES</sub>	Gate-to-Emitter Leakage Current	—	—	±100	nA	V <sub>GE</sub> = ±20V	

## Switching Characteristics @ T<sub>J</sub> = 25°C (unless otherwise specified)

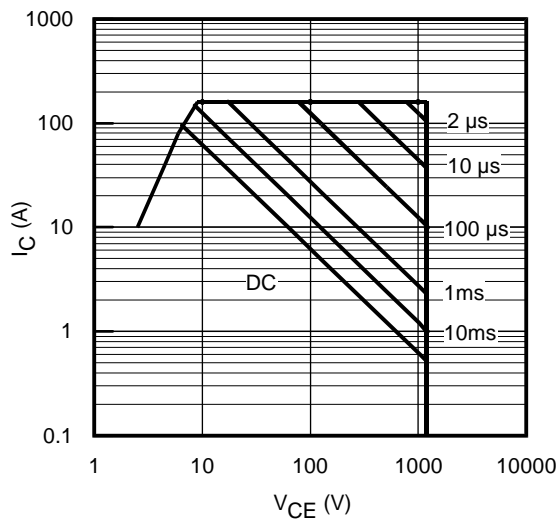
	Parameter	Min.	Typ.	Max.	Units	Conditions	Ref.Fig.		
Q <sub>g</sub>	Total Gate Charge (turn-on)	—	340	510	nC	I <sub>C</sub> = 40A	23		
Q <sub>ge</sub>	Gate - Emitter Charge (turn-on)	—	40	60		V <sub>CC</sub> = 600V	CT1		
Q <sub>gc</sub>	Gate - Collector Charge (turn-on)	—	165	248		V <sub>GE</sub> = 15V			
E <sub>on</sub>	Turn-On Switching Loss	—	1400	1750	μJ	I <sub>C</sub> = 40A, V <sub>CC</sub> = 600V	CT4		
E <sub>off</sub>	Turn-Off Switching Loss	—	1650	2050		V <sub>GE</sub> = 15V, R <sub>G</sub> = 4.7Ω, L = 200μH	WF1		
E <sub>tot</sub>	Total Switching Loss	—	3050	3800		L <sub>s</sub> = 150nH T <sub>J</sub> = 25°C	WF2		
E <sub>on</sub>	Turn-On Switching Loss	—	1950	2300		T <sub>J</sub> = 125°C	13,15		
E <sub>off</sub>	Turn-Off Switching Loss	—	2200	2950	μJ	Energy losses include "tail" and diode reverse recovery.			
E <sub>tot</sub>	Total Switching Loss	—	4150	5250					
t <sub>d(on)</sub>	Turn-On Delay Time	—	76	99			ns	I <sub>C</sub> = 40A, V <sub>CC</sub> = 600V	14, 16
t <sub>r</sub>	Rise Time	—	39	55					V <sub>GE</sub> = 15V, R <sub>G</sub> = 4.7Ω L = 200μH
t <sub>d(off)</sub>	Turn-Off Delay Time	—	332	365	L <sub>s</sub> = 150nH, T <sub>J</sub> = 125°C	WF1			
t <sub>f</sub>	Fall Time	—	25	33		WF2			
C <sub>ies</sub>	Input Capacitance	—	4300	—	pF	V <sub>GE</sub> = 0V	22		
C <sub>oes</sub>	Output Capacitance	—	330	—		V <sub>CC</sub> = 30V			
C <sub>res</sub>	Reverse Transfer Capacitance	—	160	—		f = 1.0MHz			
RBSOA	Reverse Bias Safe Operating Area	FULL SQUARE				T <sub>J</sub> = 150°C, I <sub>C</sub> = 160A, V <sub>p</sub> = 1200V V <sub>CC</sub> = 1000V, V <sub>GE</sub> = +15V to 0V R <sub>G</sub> = 4.7Ω	4 CT2		
SCSOA	Short Circuit Safe Operating Area	10	—	—	μs	T <sub>J</sub> = 150°C, V <sub>p</sub> = 1200V V <sub>CC</sub> = 900V, V <sub>GE</sub> = +15V to 0V, R <sub>G</sub> = 4.7Ω	CT3 WF4		
E <sub>rec</sub>	Reverse Recovery energy of the diode	—	3346	—	μJ	T <sub>J</sub> = 125°C	17,18,19		
t <sub>rr</sub>	Diode Reverse Recovery time	—	180	—	ns	V <sub>CC</sub> = 600V, I <sub>F</sub> = 60A, L = 200μH	20, 21		
I <sub>rr</sub>	Diode Peak Reverse Recovery Current	—	50	—	A	V <sub>GE</sub> = 15V, R <sub>G</sub> = 4.7Ω, L <sub>s</sub> = 150nH	CT4,WF3		



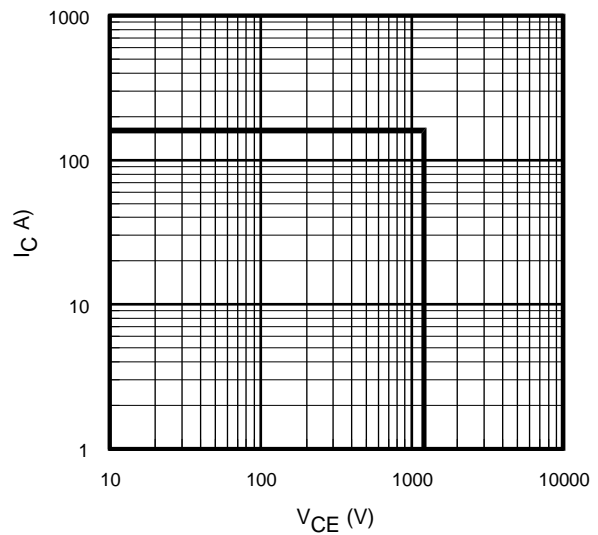
**Fig. 1** - Maximum DC Collector Current vs. Case Temperature



**Fig. 2** - Power Dissipation vs. Case Temperature



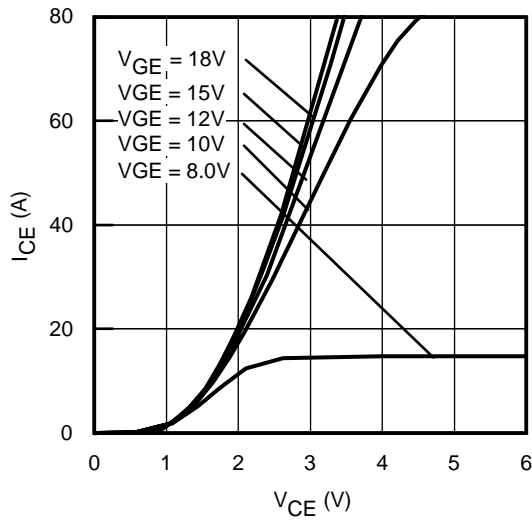
**Fig. 3** - Forward SOA  
 $T_C = 25^{\circ}C$ ;  $T_{JS} \leq 150^{\circ}C$



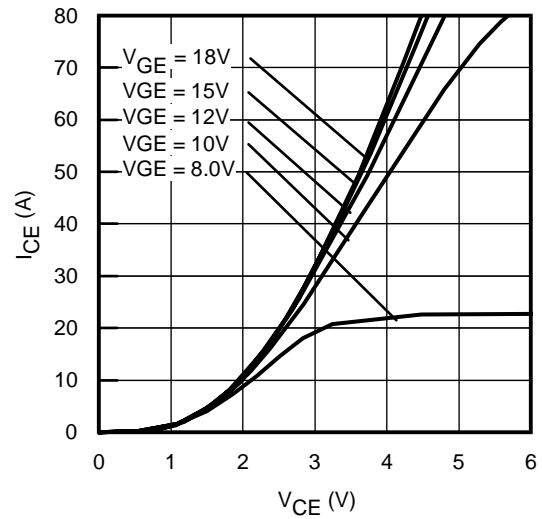
**Fig. 4** - Reverse Bias SOA  
 $T_J = 150^{\circ}C$ ;  $V_{GE} = 15V$

# IRGPS40B120UD

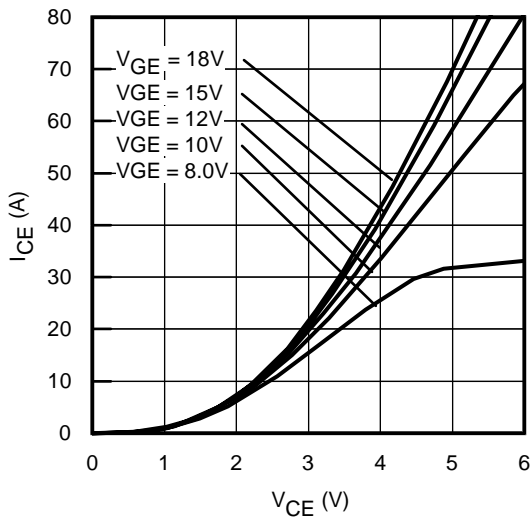
International  
**IR** Rectifier



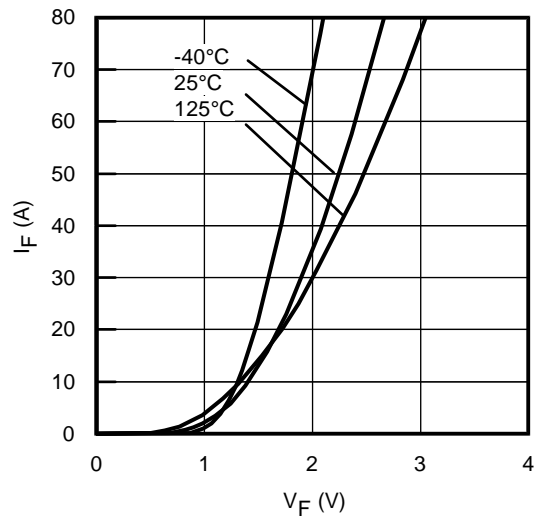
**Fig. 5** - Typ. IGBT Output Characteristics  
 $T_J = -40^\circ\text{C}$ ;  $t_p = 80\mu\text{s}$



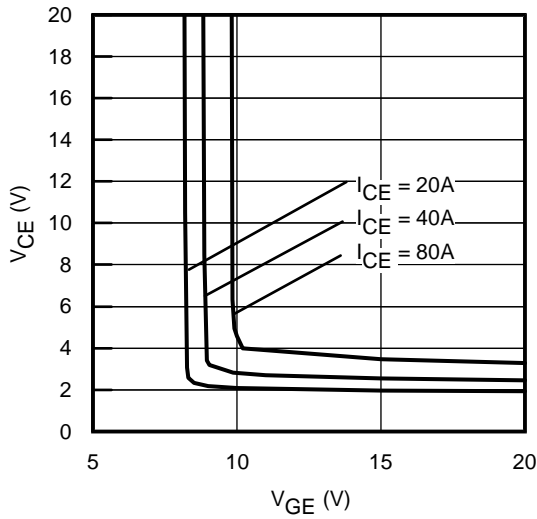
**Fig. 6** - Typ. IGBT Output Characteristics  
 $T_J = 25^\circ\text{C}$ ;  $t_p = 80\mu\text{s}$



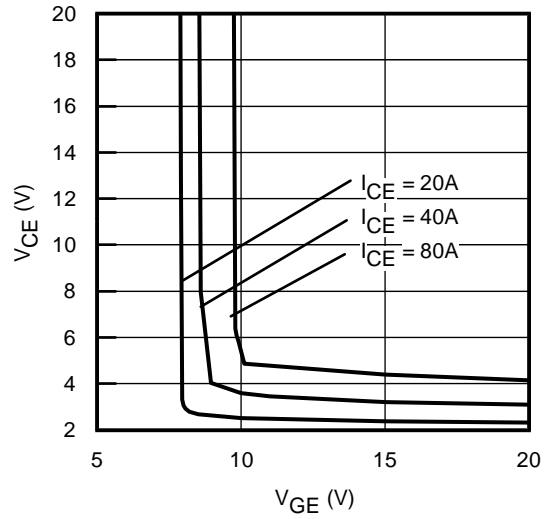
**Fig. 7** - Typ. IGBT Output Characteristics  
 $T_J = 125^\circ\text{C}$ ;  $t_p = 80\mu\text{s}$



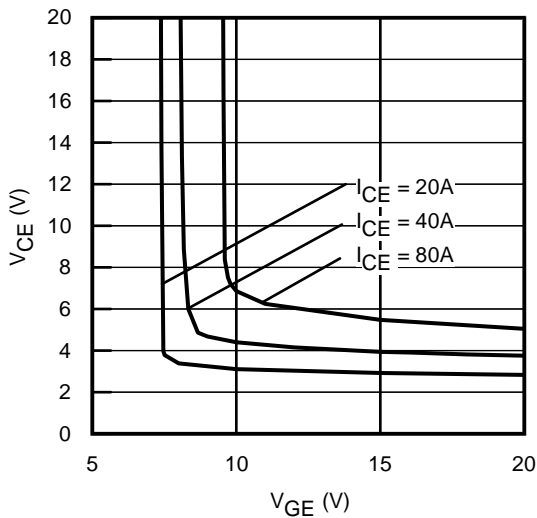
**Fig. 8** - Typ. Diode Forward Characteristics  
 $t_p = 80\mu\text{s}$



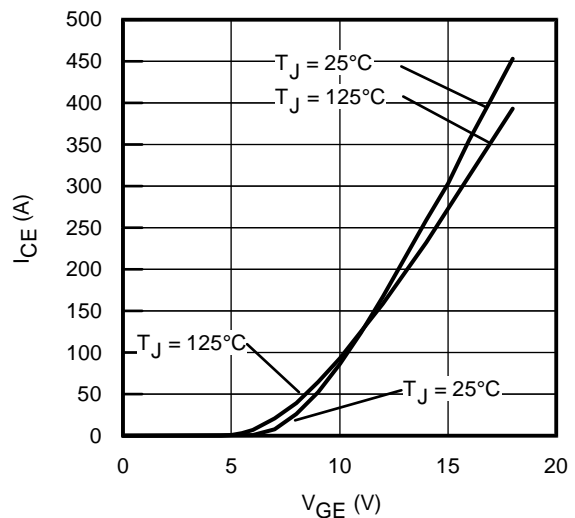
**Fig. 9** - Typical  $V_{CE}$  vs.  $V_{GE}$   
 $T_J = -40^\circ\text{C}$



**Fig. 10** - Typical  $V_{CE}$  vs.  $V_{GE}$   
 $T_J = 25^\circ\text{C}$



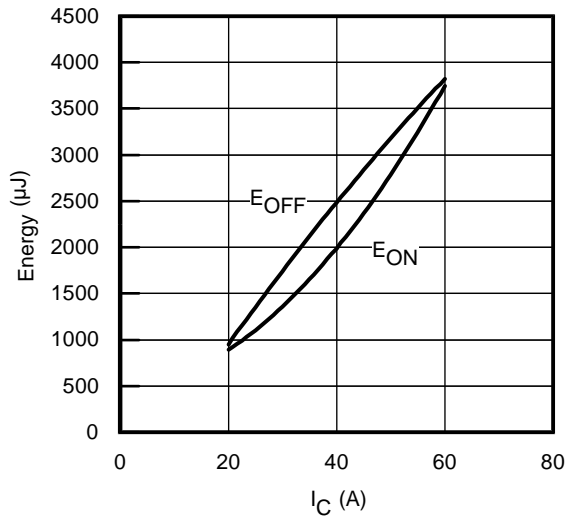
**Fig. 11** - Typical  $V_{CE}$  vs.  $V_{GE}$   
 $T_J = 125^\circ\text{C}$



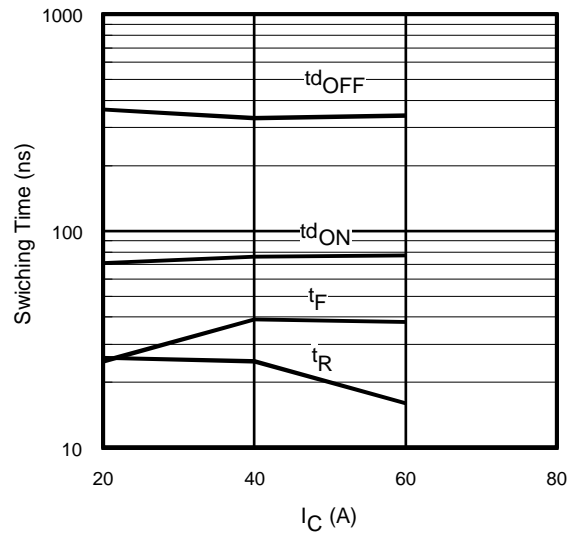
**Fig. 12** - Typ. Transfer Characteristics  
 $V_{CE} = 50\text{V}$ ;  $t_p = 10\mu\text{s}$

# IRGPS40B120UD

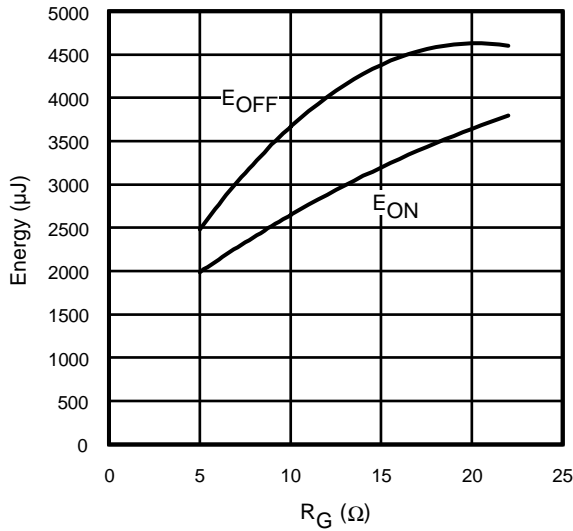
International  
**IR** Rectifier



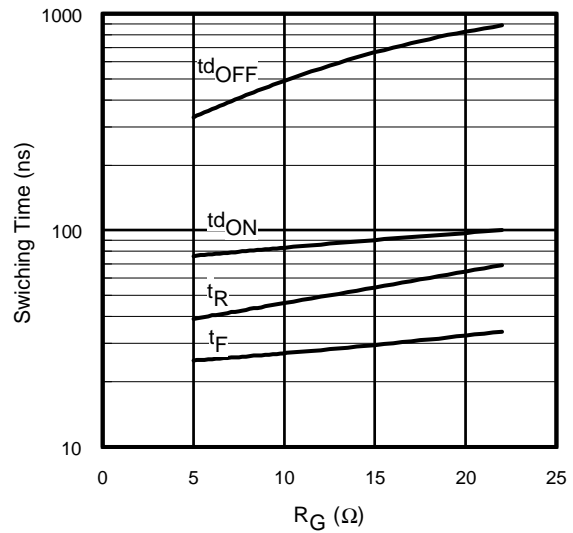
**Fig. 13** - Typ. Energy Loss vs. I<sub>C</sub>  
T<sub>J</sub> = 125°C; L=200μH; V<sub>CE</sub>= 600V  
R<sub>G</sub>= 4.7Ω; V<sub>GE</sub>= 15V



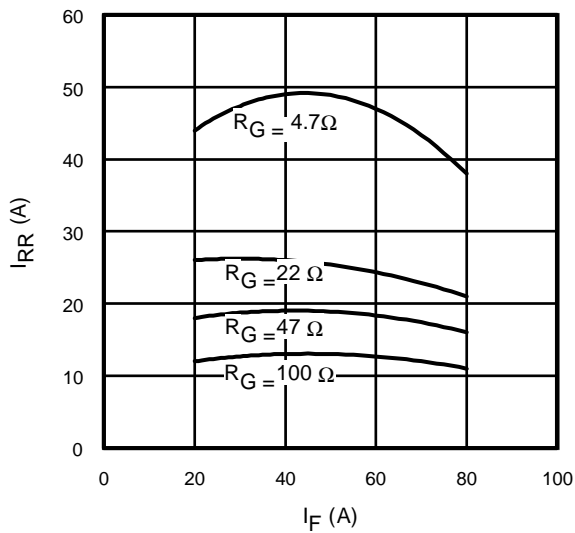
**Fig. 14** - Typ. Switching Time vs. I<sub>C</sub>  
T<sub>J</sub> = 125°C; L=200μH; V<sub>CE</sub>= 600V  
R<sub>G</sub>= 4.7Ω; V<sub>GE</sub>= 15V



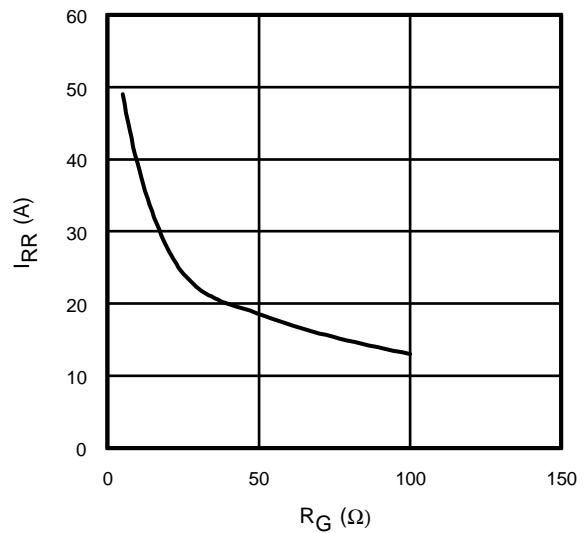
**Fig. 15** - Typ. Energy Loss vs. R<sub>G</sub>  
T<sub>J</sub> = 125°C; L=200μH; V<sub>CE</sub>= 600V  
I<sub>CE</sub>= 40A; V<sub>GE</sub>= 15V



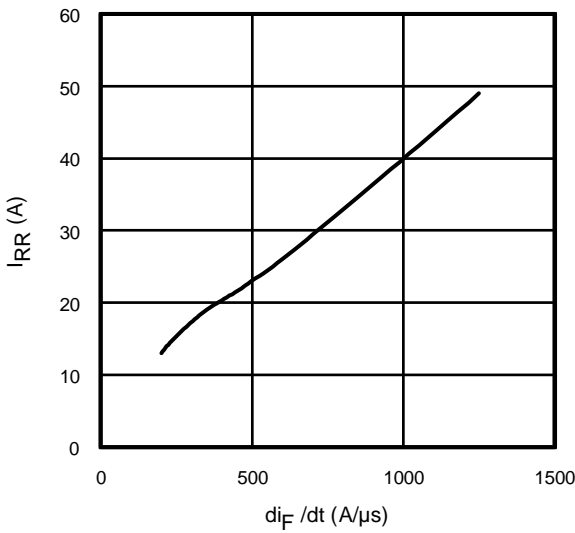
**Fig. 16** - Typ. Switching Time vs. R<sub>G</sub>  
T<sub>J</sub> = 125°C; L=200μH; V<sub>CE</sub>= 600V  
I<sub>CE</sub>= 40A; V<sub>GE</sub>= 15V



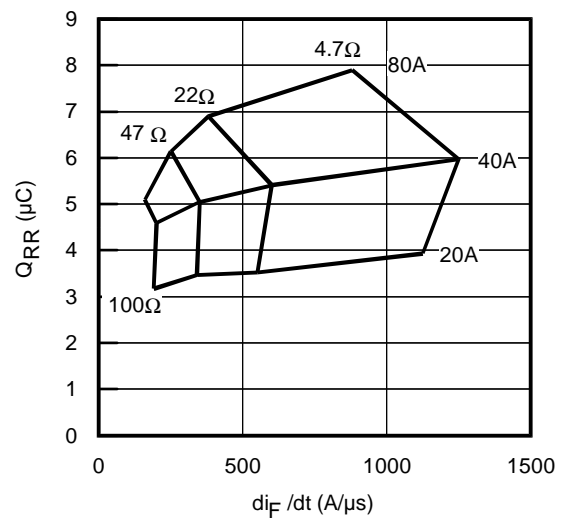
**Fig. 17** - Typical Diode  $I_{RR}$  vs.  $I_F$   
 $T_J = 125^\circ\text{C}$



**Fig. 18** - Typical Diode  $I_{RR}$  vs.  $R_G$   
 $T_J = 125^\circ\text{C}; I_F = 40\text{A}$



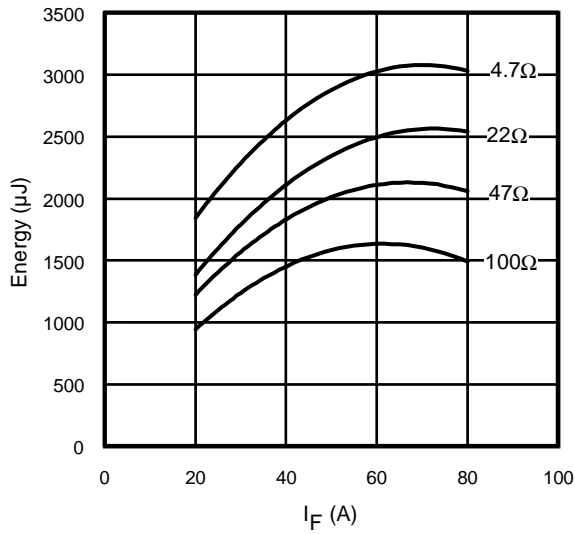
**Fig. 19**- Typical Diode  $I_{RR}$  vs.  $\text{di}_F/\text{dt}$   
 $V_{CC} = 600\text{V}; V_{GE} = 15\text{V};$   
 $I_{CE} = 40\text{A}; T_J = 125^\circ\text{C}$



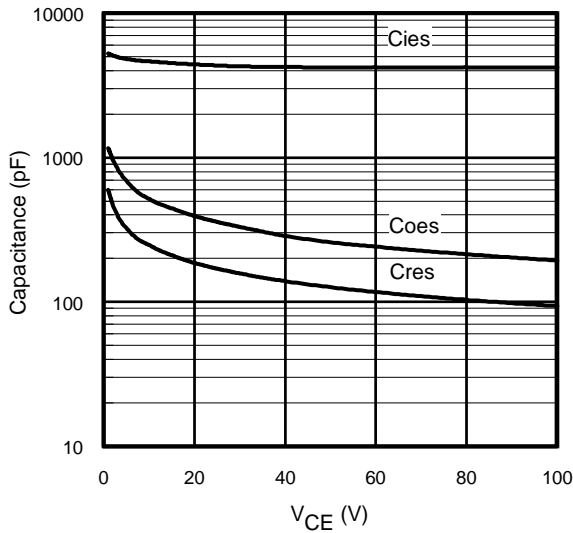
**Fig. 20** - Typical Diode  $Q_{RR}$   
 $V_{CC} = 600\text{V}; V_{GE} = 15\text{V}; T_J = 125^\circ\text{C}$

# IRGPS40B120UD

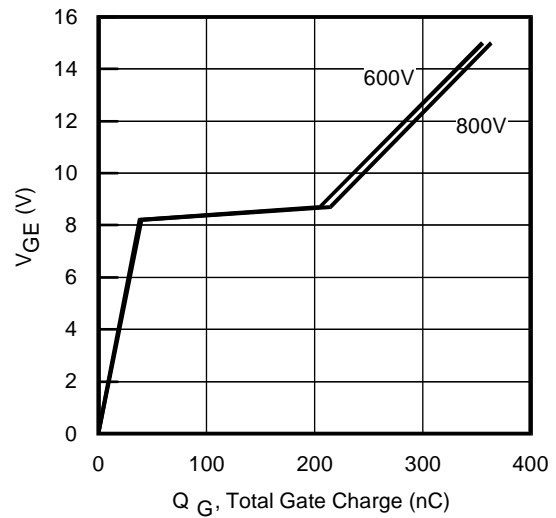
International  
**IR** Rectifier



**Fig. 21** - Typical Diode  $E_{RR}$  vs.  $I_F$   
 $T_J = 125^\circ\text{C}$



**Fig. 22**- Typ. Capacitance vs.  $V_{CE}$   
 $V_{GE} = 0\text{V}$ ;  $f = 1\text{MHz}$



**Fig. 23** - Typical Gate Charge vs.  $V_{GE}$   
 $I_{CE} = 40\text{A}$ ;  $L = 600\mu\text{H}$



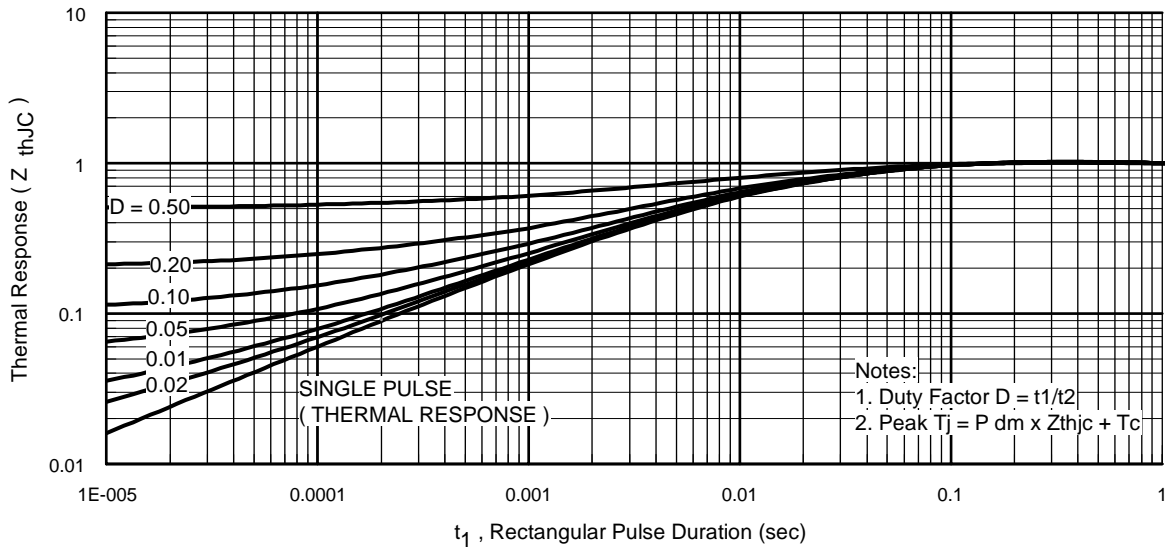


Fig 24. Normalized Transient Thermal Impedance, Junction-to-Case (IGBT)

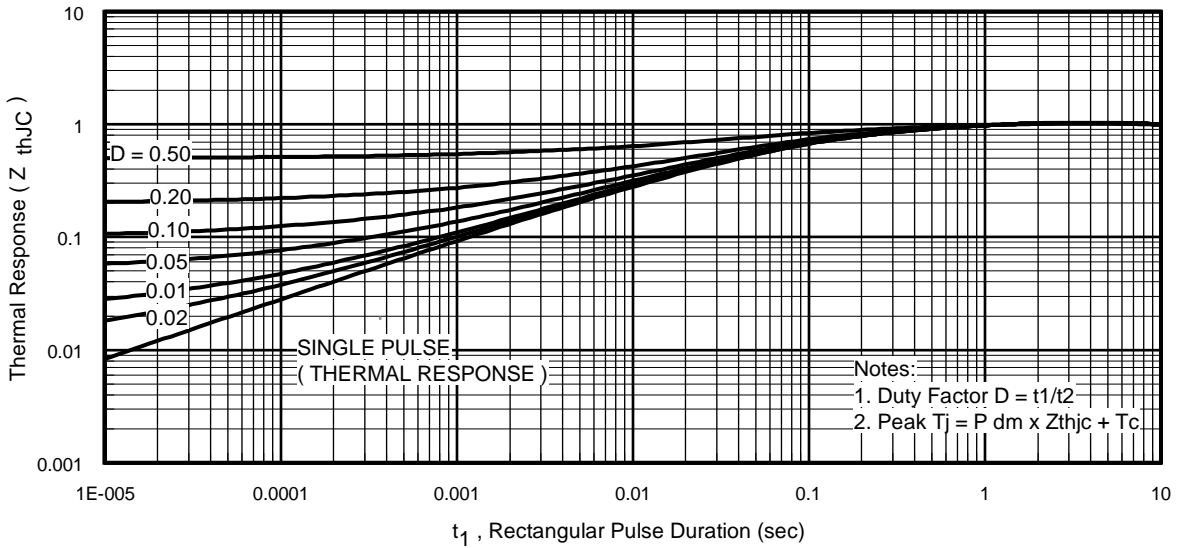
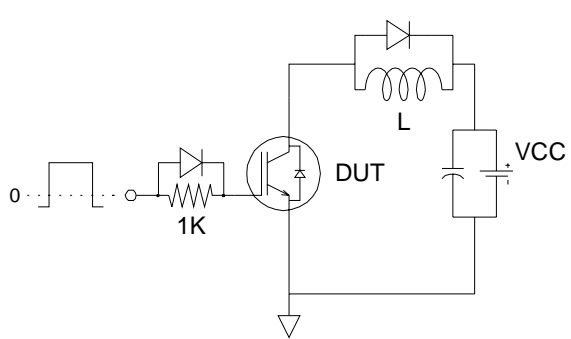


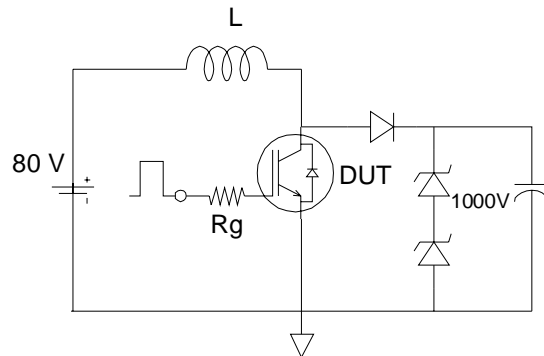
Fig 25. Normalized Transient Thermal Impedance, Junction-to-Case (DIODE)

# IRGPS40B120UD

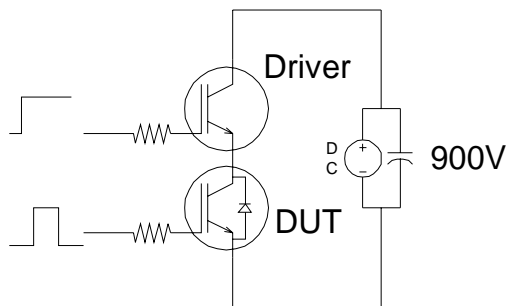
International  
**IR** Rectifier



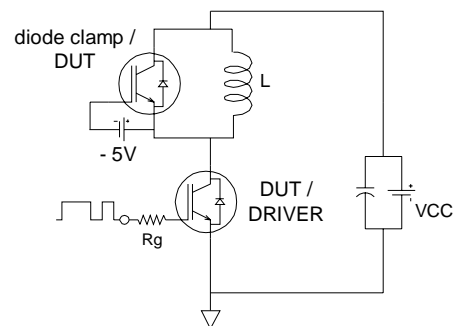
**Fig.C.T.1** - Gate Charge Circuit (turn-on)



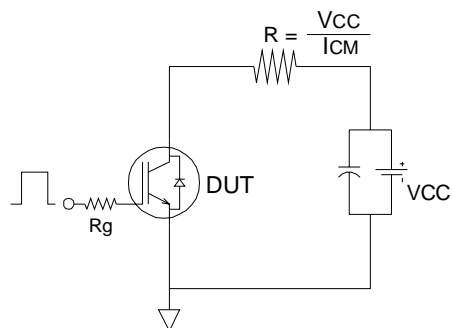
**Fig.C.T.2** - RBSOA Circuit



**Fig.C.T.3** - RBSOA Circuit



**Fig.C.T.4** - RBSOA Circuit



**Fig.C.T.5** - RBSOA Circuit

Fig. WF.1 - Typ. Turn-off Loss Waveform  
 @  $T_j=125^\circ\text{C}$  using Fig. CT.4

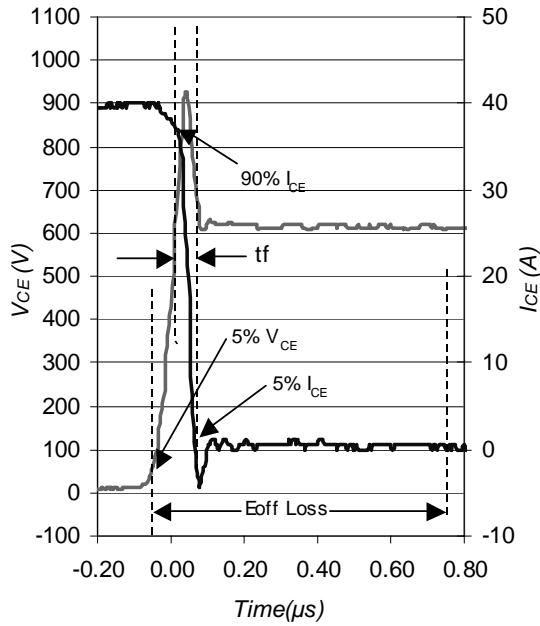


Fig. WF.2 - Typ. Turn-on Loss Waveform  
 @  $T_j=125^\circ\text{C}$  using Fig. CT.4

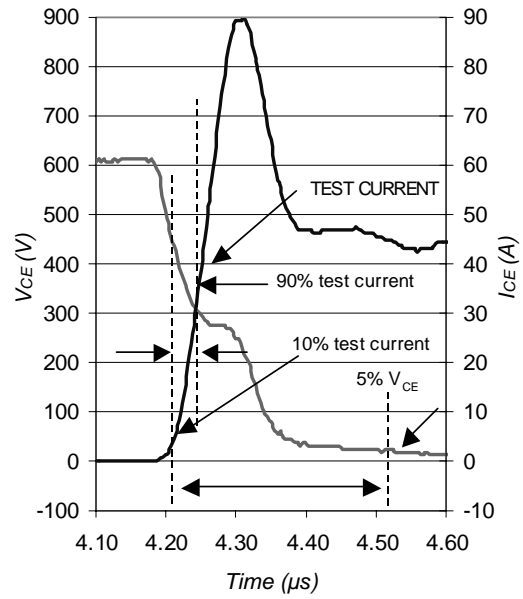


Fig. WF.3 - Typ. Diode Recovery Waveform  
 @  $T_j=125^\circ\text{C}$  using Fig. CT.4

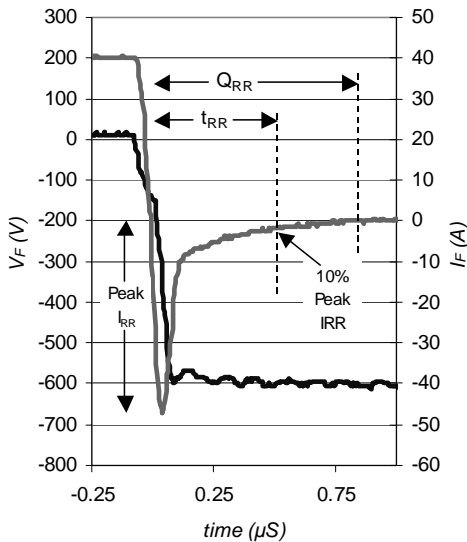
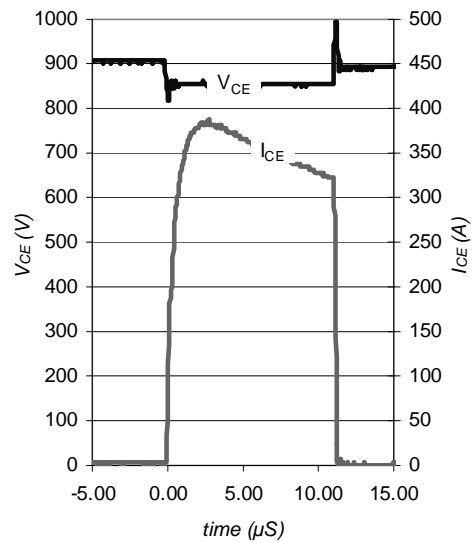


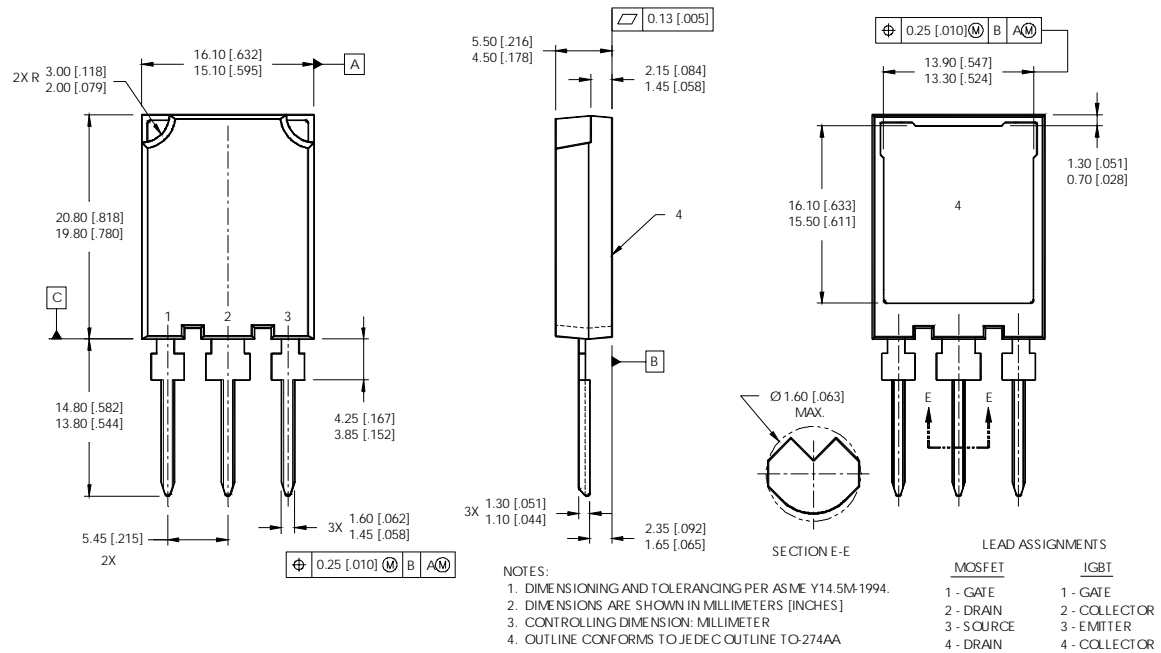
Fig. WF.4 - Typ. S.C. Waveform  
 @  $TC=150^\circ\text{C}$  using Fig. CT.3



# IRGPS40B120UD

International  
**IR** Rectifier

## Super-247™ Package Outline



Data and specifications subject to change without notice.  
This product has been designed and qualified for the industrial market.  
Qualification Standards can be found on IR's Web site.

International  
**IR** Rectifier

IR WORLD HEADQUARTERS: 233 Kansas St., El Segundo, California 90245, USA Tel: (310) 252-7105  
TAC Fax: (310) 252-7903

Visit us at [www.irf.com](http://www.irf.com) for sales contact information.01/02

[www.irf.com](http://www.irf.com)