



ST70134 - ST70134A

ASCOT™ INTEGRATED ADSL CMOS ANALOG FRONT-END CIRCUIT

- FULLY INTEGRATED AFE FOR CPE ADSL
- OVERALL 12 BIT RESOLUTION, 1.1MHz SIGNAL BANDWIDTH IN Rx
- 8.8MS/s ADC
- 8.8MS/s DAC
- THD: -60dB @FULL SCALE
- 4-BIT DIGITAL INTERFACE TO/FROM THE DMT MODEM
- 1V FULL SCALE INPUT
- DIFFERENTIAL ANALOG I/O
- ACCURATE CONTINUOUS-TIME CHANNEL FILTERING
- 3rd & 4th ORDER TUNABLE CONTINUOUS TIME LP FILTERS
- 0.5 WATT AT 3.3V
- 0.5mm HCMOS5 LA TECHNOLOGY
- 64 PIN TQFP PACKAGE

DESCRIPTION

ST70134 is the Analog Front End of the STMicroelectronics ASCOT™ ADSL chipset and when coupled with ST70135A or ST70235 (DMT modem) allows to get a T1.413 Issue 2 or G.dmt compliant solution.



The ST70134 analog front end handles 2 transmission channels on a balanced 2 wire interconnection; a 16 to 640Kbit/s upstream transmit channel and a 1.536Mbit/s to 8.192Mbit/s downstream receive channel.

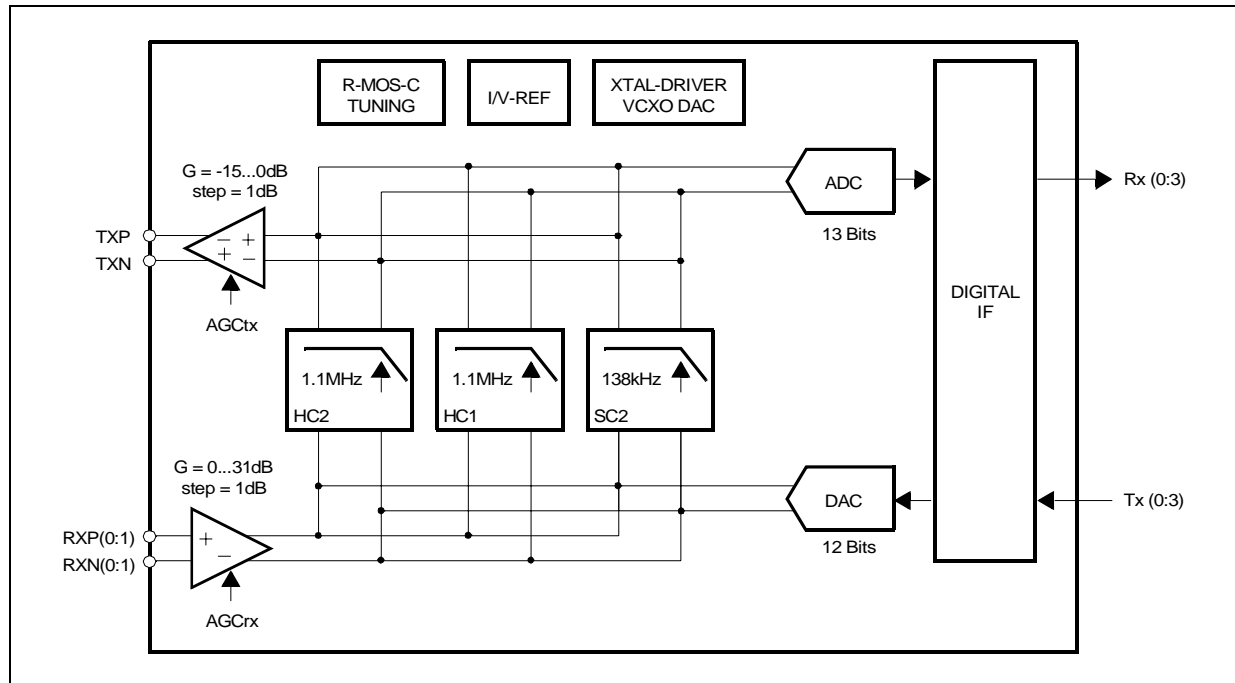
This asymmetrical data transmission system uses high resolution, high speed analog to digital and digital to analog conversion and high order analog filtering to reduce the echo and noise in both receivers and transmitters.

External low noise driver and input stage used with ST70134 guarantee low noise performances.

The filters, with a programmable cutoff frequency, use automatic Continuous Time Tuning to avoid time varying phase characteristic which can be of dramatic consequence for DMT modem.

It requires few external components, uses a 3.3V supply. It is packaged in a 64-pin TQFP in order to reduce PCB area.

Figure 1 : Block Diagram



The Receiver (RX) Part

The DMT signal coming from the line to the ST70134 is first filtered by two external filters, Pots HP and channel filters.

An analog multiplexer allows the selection between two input ports which can be used to select an attenuated (0, 10dB for ex.) version of the signal in case of short loop or large echo.

The signal is amplified by a low noise gain stage (0-31dB) then low-pass filtered to avoid aliasing and to ease further digital processing by removing unwanted high frequency out-of-band noise. A 13-bit A/D converter samples the data at 8.832MS/s (or 4.416MS/s in alternative mode), transforms the signal into a digital representation and sends it to the DMT signal processor via the digital interface.

The Transmitter (TX) part

The 12-bit data words at 8.832MS/s (or 4.416MS/s) coming from the DMT signal processor through the digital interface are transformed by D/A converter into an analog signal.

This signal is then filtered to decrease DMT side-lobes level and meet the ANSI transmitter spectral response but also to reduce the out-of-band noise (which can be echoed to the RX path) to an acceptable level. The pre-driver buffers the signal

for the external line driver and in case of short loop provide attenuation (-15...0dB).

The VCXO Part

The VCXO is divided in a XTAL driver and a auxiliary 8 bits DAC for timing recovery. The XTAL driver is able to operate at 35.328MHz.

The DAC which is driven by the CTRLIN pin provides a current output with 8-bit resolution and can be used to tune the XTAL frequency with the help of external components.

A time constant between DAC input and VCXO output can be introduced (via the CTLIN interface) and programmed with the help of an external capacitor (on VCOC pin). See chapter 'VCXO' for the external circuit related to the VCXO.

The Digital Interface Part

The digital part of the ST70134 can be divided in 2 sections:

- The data interface converts the multiplexed data from/to the DMT signal processor into valid representation for the TX DAC and RX ADC.
- The control interface allows the board processor to configure the ST70134 paths (RX/TX gains, filter band, ...) or settings (OSR, vcodac enable, digital / analog loopback,...).

DMT Signal (Done by the DMT companion chip)

A DMT signal is basically the sum of N independently QAM modulated signals, each carried over a distinct carrier. The frequency separation of each carrier is 4.3125kHz with a total number of 256 carriers (ANSI). For N large, the signal can be modelled by a gaussian process with a certain amplitude probability density function. Since the maximum amplitude is expected to arise very rarely, we decide to clip the signal and to trade-off the resulting SNR loss against AD/DA dynamic. A clipping factor (V_{peak}/V_{rms} = "crest factor") of 5.3 will be used resulting in a maximum SNR of 75dB.

ADSL DMT signals are nominally sent at an average of -38dBmHz (-1.65dBm/carrier) with a maximal power of 15.7mW for the transmitter (upstream for ADSL over Pots, DMT carriers are

from 7 to 31, for ADSL over ISDN DMT carriers are from 31 to 64).

Maximum / Minimum Signal Levels

The following table gives the transmitted and received signal levels for CPE (ATU-R) and, for reference, at ATU-C. All the levels are referred to the line voltages (i.e. after hybrid and transformers in TX direction, before hybrid and transformer in RX direction).

Note that signal amplitudes shown below are for illustration purpose and depending on the transmit power and line impedance signal amplitudes can differ from these values.

The reference line impedance for all power calculations is 100Ω.

Package

The ST70134 is packaged in a 64-pin TQFP package (body size 10x10mm, pitch 0.5mm).

Table 1 : Target Signal Levels (on the line)

Parameter	ATU - R		ATU - C (for reference)	
	RX	TX	RX	TX
Max level	3.95 Vpdif *	6.8 Vpdif	1.66 mVpdif	15.8 Vpdif *
Max RMS level	791 mVrms	671 mVrms	168 mVrms	3.16 Vrms
Min level	42 mVpdif	839 mVpdif	54 mVpdif	3.95 Vpdif
Min RMS level	8 mVrms	168 mVrms	11 mVrms	791 mVrms

* Power cut back software co facility.

ST70134A

Figure 2 : Pin Connection

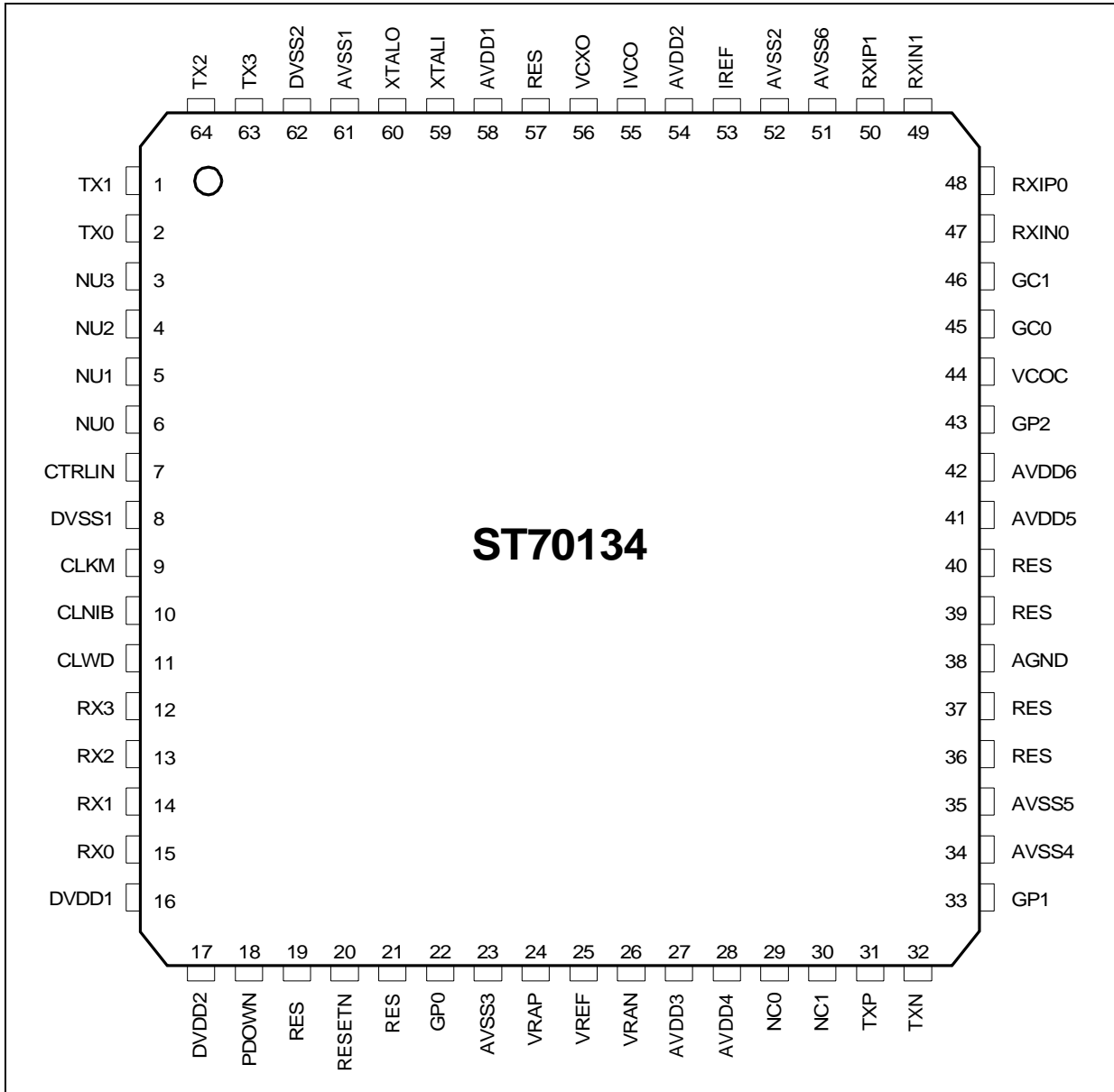


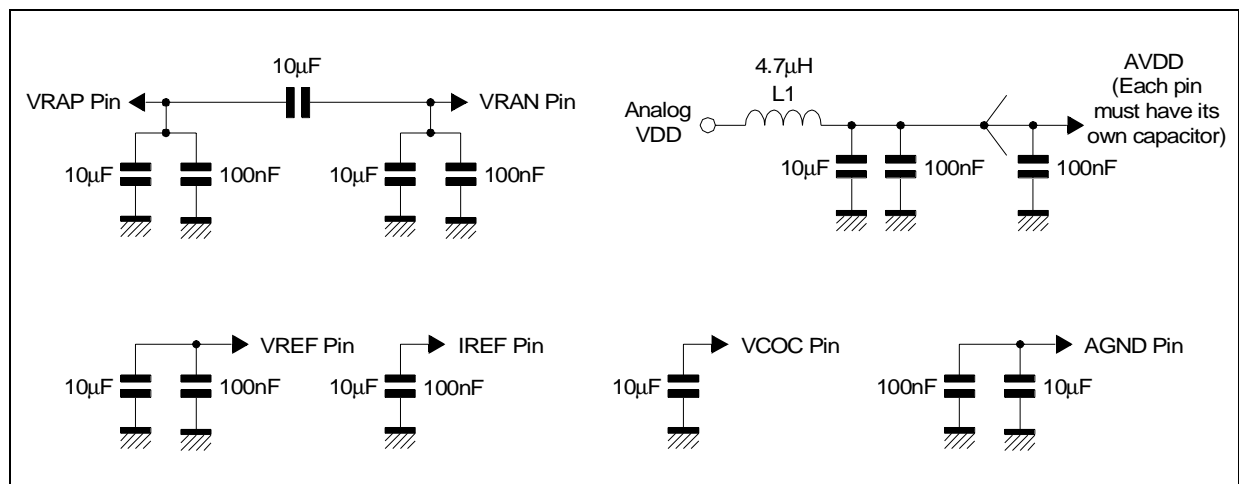
Table 2 : Pin Functions

Numbers	Name	Function	PCB connection	Supply
ANALOG INTERFACE				
24	VRAP	Positive Voltage Reference ADC	Decoupling network	AVDD3
25	VREF	Ground Reference ADC	Decoupling network	AVDD3
26	VRAN	Negative Voltage Reference ADC	Decoupling network	AVDD3
31	TXP	Pre Driver Output	Line driver input	AVDD4
32	TXN	Pre Driver Output	Line driver input	AVDD4
38	AGND	Virtual Analog Ground (AVDD/2 = 1.65V)	Decoupling network	AVDD5
44	VCOG	VCODAC Time Constant Capacitor	VCODAC cap.	AVDD5
45	GC0	External Gain Control Output LSB	-	AVDD5
46	GC1	External Gain Control Output MSB	-	AVDD5
47	RXN0	Analog Receive Negative Input Gain 0	Echo filter output	AVDD5
48	RXP0	Analog Receive Positive Input Gain 0	Echo filter output	AVDD5
49	RXN1	Analog Receive Negative Input Gain 1 (Most Sensitive Input)	Echo filter output	AVDD5
50	RXP1	Analog Receive Positive Input Gain 1 (Most Sensitive Input)	Echo filter output	AVDD5
53	IREF	Current Reference TX DAC/DACE	Decoupling network	AVDD2
55	IVCO	Current Reference VCO DAC	VCO bias network	AVDD1
56	VCXO	VXCO Control Current	VCXO filter	AVDD1
59	XTALI	XTAL Oscillator Input Pin	Crystal + varicap	AVDD1
60	XTALO	XTAL Oscillator Output Pin	Crystal + varicap	AVDD1
DIGITAL INTERFACE				
1	TX1	Digital Transmit Input, Parallel Data	-	DVDD2
2	TX0	Digital Transmit Input, Parallel Data	-	DVDD2
7	CTRLIN	Serial Data Input (Settings)	Async Interface	DVDD2
9	CLKM	Master Clock Output, f = 35.328MHz	Load = CL<30pF	DVDD2
10	CLNIB	Nibble Clock Output, f = 17.664MHz (OSR = 2) or ground (OSR = 4)	Load = CL<30pF	DVDD2
11	CLWD	Word Clock Output, f = 8.832/4.416MHz	Load = CL<30pF	DVDD2
12	RX3	Digital Receive Output, Parallel Data	Load = CL<30pF	DVDD2
13	RX2	Digital Receive Output, Parallel Data	Load = CL<30pF	DVDD2
14	RX1	Digital Receive Output, Parallel Data	Load = CL<30pF	DVDD2
15	RX0	Digital Receive Output, Parallel Data	Load = CL<30pF	DVDD2
18	PDOWN	Power Down Select, "1" = Power Down	Power Down Input	DVDD2
20	RESETN	Reset Pin (Active Low)	RC- Reset	DVDD2
22	GP0	General Purpose Output 0 (on AVDD 1)	Echo filter output	AVDD
33	GP1	General Purpose Output 1 (on AVDD 1)	Echo filter output	AVDD
43	GP2	General Purpose Output 2 (on AVDD 1)	Echo filter output	AVDD
63	TX3	Digital Transmit Input, Parallel Data	Load = CL<30pF	DVDD2
64	TX2	Digital Transmit Input, Parallel Data	Load = CL<30pF	DVDD2
19, 21	RES	RESERVED	Must Be Connected to DVSS (Input)	-
36, 37, 39, 40, 57	RES	RESERVED	Must Be Connected to AVSS (Input)	-

ST70134A

Numbers	Name	Function	PCB connection	Supply
SUPPLY VOLTAGES				
8	DVSS1	-	DVSS	-
16	DVDD1	Digital I/O Supply Voltage	DVDD	-
17	DVDD2	Digital Internal Supply Voltage	DVDD	-
23	AVSS3	-	AVSS	-
27	AVDD3	ADC Supply Voltage	AVDD	-
28	AVDD4	TX Pre - Drivers Supply	AVDD	-
34	AVSS4	-	AVSS	-
35	AVSS5	-	AVSS	-
41	AVDD5	CT Filter Supply	AVDD	-
42	AVDD6	LNA Supply	AVDD	-
51	AVSS6	-	AVSS	-
52	AVSS2	-	AVSS	-
54	AVDD2	DAC and Support Circuit	AVDD	-
58	AVDD1	XTAL Oscillator Supply Voltage	AVDD	-
61	AVSS1	-	AVSS	-
62	DVSS2	-	DVSS	-
SPARES				
3	NU3	Not Used Inputs	DVSS	-
4	NU2	Not Used Inputs	DVSS	-
5	NU1	Not Used Inputs	DVSS	-
6	NU0	Not Used Inputs	DVSS	-
29	NC0	-	-	-
30	NC1	-	-	-

Figure 3 : Grounding and Decoupling Networks



RX-PATH NOISE AT MINIMUM GAIN

At the minimum AGC the total average thermal noise of the analog RX-path at the ADC input should be lower than the ADC quantisation noise. The maximum noise density within the pass band can exceed the average value as follows:

$$\text{RX path (min AGC setting)} < 500\text{nVHz}^{-1/2} @ 138\text{kHz} < f$$

These noise specifications correspond to 10bit resolution of the complete RX-path.

Table 3 : RX Common-mode Voltage

Description	Value/Unit
Common mode signal VCM at RXIN1 and RXIN2:	1.6V < VCM < 1.7V

AGC of RX Path

The AGC gain in the RX-path is controlled through a 5-bits digital code.

Four inputs are provided for RX input and the selection is made with the RXMUX bits of the CTRLIN interface.

Table 5 : Integrated HC Filter Characteristics

Description	Value / Unit
Maximum input level	1Vpd
Maximum output level	1Vpd
Type	3rd order butterworth
Frequency band	1.104MHz (0% setting, see below)
Frequency tuning	-43.75% -> +0%
Max. in-band ripple	1dB
Matlab Model Default cut off frequency @ -3dB Actual cut off @ -3dB HC Freq. selection register	[B, A] = butter (3, w0, 's') F0 = 1560KHz w0 = 2 * pi * F0/((20 + n)/16) n = -4,...,3 see (AFE settings, Table 19)

Table 6 : Phase Characteristic

Description	Value / Unit
Total RX filter group delay	< 50µs @ 138kHz < f < 1.104MHz
Total RX filter group delay distortion	< 15µs @ 138kHz < f < 1.104MHz

This can be used to make lower gain paths in case of high input signal.

Table 4 : AGC Characteristics

Description	Value/Unit
Input referred noise(max. gain)	31nVHz ^{-1/2}
Max. input level	1Vpd
Max. output level	1Vpd
Gain range	0 to 31dB with step = 1dB
Gain and step accuracy	± 0.3dB

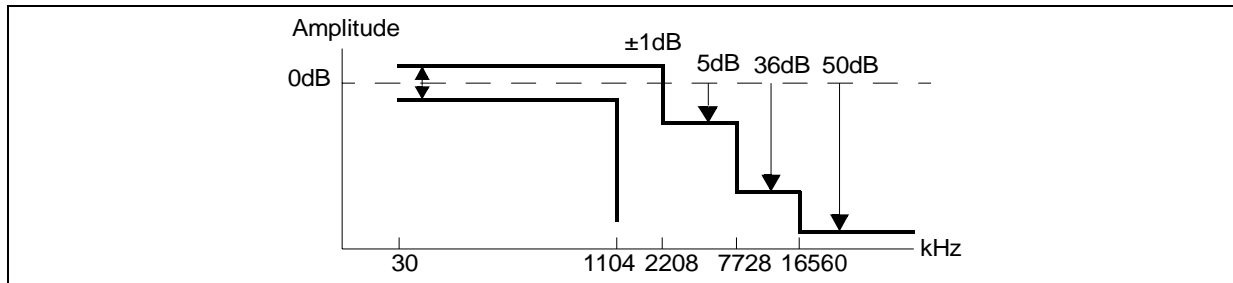
RX Filters

The combination of the external filter (an LC ladder filter typically) with the integrated lowpass filter must provide:

- Echo reduction to improve dynamic range.
- DMT sidelobe and out of band (anti-aliasing) attenuation.
- Anti alias filter (60dB rejection @ image frequency).

RX Filters

The integrated filter have the following characteristics:

Figure 5 : HC Filter Mask for RX

Note: The total RX path (including ADC) group delay distortion is $16\mu\text{s}$ (i.e. = $15\mu\text{s}$ + $1\mu\text{s}$ of ADC)

Linearity of RX

Linearity of the RX analog path is defined by the IM3 product of two sinusoidal signals with frequencies f_1 and f_2 and each with 0.5Vpd amplitude (total $\leq 1\text{Vpd}$) at the output of the RX - AGC amplifier (i.e: before the ADC) for the case of minimal AGC setting.

Table 7 lists the RX path intermodulation distortion (as S/IM3 ratio) in downstream and upstream bandwidth.

Table 7 : Linearity of RX

f1 (0.5Vpd) f2 (0.5Vpd)	300kHz 200kHz	500kHz 400kHz	700kHz 600kHz
S/IM3 (AGC = 0dB)	59.5dB @ 100kHz 53.5dB @ 400kHz 43.5dB @ 700kHz 42.5dB @ 800kHz	59.5dB @ 300kHz 48.0dB @ 600kHz	48.0dB @ 500kHz 42.5dB @ 800kHz

Table 8 : RX Filter to A/D Interface

RX filter to A/D maximal level:	1Vpd = full scale of A/D
---------------------------------	--------------------------

Table 9 : A/D Converters

Numbers of bits:	12bits
Minimum resolution of the A/D converter	11bits
Linearity error of the A/D converter	<1LSB (out of 12bits)
Full scale input range:	1 Vpdif $\pm 5\%$
Sampling rate:	8.832MHz (or 4.416MHz in OSR = 2 mode)
Maximum attenuation at 1.1MHz:	<0.5dB without in-band ripple
Maximum group delay:	<3 μs
Maximum group delay distortion:	<1 μs

Power Supply Rejection

The noise on the power supplies for the RX path must be lower than the following: <50mVrms in band white noise for any AVDD.

In this case, PSR (power supply rejection) of ST70134 RX path is lower than -43dB.

TX Pre-driver Capability

The pre-driver drives an external line power amplifier which transmits the required power to the line.

Table 10 : TX Pre-driver

TX drive level to the external line driver for max. AGC setting		1.5 Vpdif
External line driver input impedance:	resistive capacitive	> 500Ω < 30pF
Pre-driver characteristics:		
Closed loop gain:	-15dB...0dB with step = 1dB	
Output characteristics		
Output offset voltage (0dB)	< 10mV	
Output noise voltage (0dB)	< 150nVHz ^{-1/2} @ f > 250kHz < 500nVHz ^{-1/2} @ 34.5kHz < f < 138kHz	0dB
Output common mode voltage:	1.6V < Vcm < 1.7V	

TX Filter

The TX filter acts not only to suppress the DMT sidebands but also as smoothing filter on the D/A converter's output to suppress the image spectrum. For this reason it must be realized in a continuous time approach.

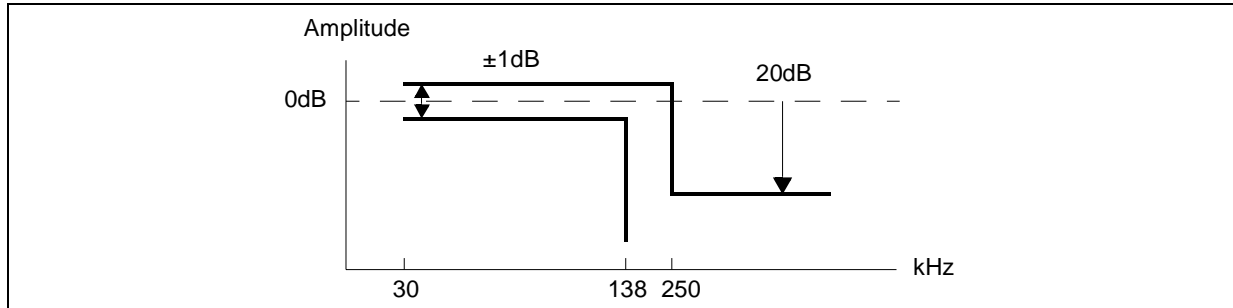
ATU-R TX Filter

The purpose of this filter is to remove out-of-band noise of the TX path echoed to the RX path. In order to meet the transmitter spectral response, an additional filtering must be (digitally) performed. The integrated filter has the following characteristics:

Table 11 : Integrated SC Filter Characteristics

Description	Value/Unit
Maximum input level	1Vpd
Maximum output level	1Vpd
Type	4th order chebytcchef
Frequency band	138kHz (0% setting see below)
Frequency tuning	-25% -> +25%
Max. in-band ripple	1dB
Matlab Model Default cut-off frequency @ -3dB Actual cut-off @ -3dB SC Frequency selection register	[B,A] = cheby1 (4,0.5,W0,'s') {ripple = 0.5} F0 = 151.8kHz W0 = 2*pi*F0/((17+n)/16) n = -4,...,3 see (AFE settings, Table 19)
Total TX filter group delay	< 50μs @ 34.5kHz < f < 138kHz
Total TX filter group delay distortion	< 20μs @ 34.5kHz < f < 138kHz

Note: The total TX path (including DAC) group delay distortion is 16μs (i.e. = 15μs + 1μs of DAC).

Figure 6 : SC Filter Mask for TX**Table 12** : D/A Converter (A current steering architecture is used)

Description	Value / Unit
Numbers of bits:	12bits
Minimum resolution of the D/A converters	11bits
Linearity error of the A/D converter	<1LSB (out of 12bits)
Full scale input range:	1 Vpdif $\pm 5\%$
Sampling rate:	8.832MHz (or 4.416MHz in compatible mode)
Maximum group delay:	<3 μs
Maximum group delay distortion:	<1 μs

Linearity in TX

Linearity of the TX is defined by the IM3 product of two sinusoidal signals with frequencies f_1 and f_2 and each with 0.5Vpd amplitude (total $\leq 1\text{Vpd}$) at the output of the pre-driver for the case of a total AGC = 0dB.

Table 13 : Linearity in TX

f_1 (0.5Vpd)	80kHz
f_2 (0.5Vpd)	70kHz
S/IM3 (AGC = 0 dB)	59.5dB (@ 60KHz, 90KHz)

TX Idle Channel Noise

The idle channel noise specifications correspond with 11bit resolution of the complete TX-path. TX idle channel output noise on TXP, TXN.

Table 14 : TX idle channel noise

For max AGC setting (0dB)		
In-band noise	1.6 $\mu\text{VHz}^{-1/2}$	@ 34.5kHz -138kHz
Out-of-band noise	150nVHz $^{-1/2}$	@ 250kHz -1.104MHz
For min AGC setting (=-15dB)		
In-band noise	500nVHz $^{-1/2}$	@ 34kHz -138kHz

Power Supply Rejection

The noise on the power supplies for the TX-path must be lower than the following:

< 50mVrms in-band white noise for AVDD.

< 15mVrms in-band white noise for Pre-driver AVDD.

VCXO

A voltage controlled crystal oscillator driver is integrated in ST70134. The nominal frequency is 35.328MHz. The quartz crystal is connected between the pins XTALI and XTALO. The principle of the VCXO control is shown in Figure 7.

ST70134A

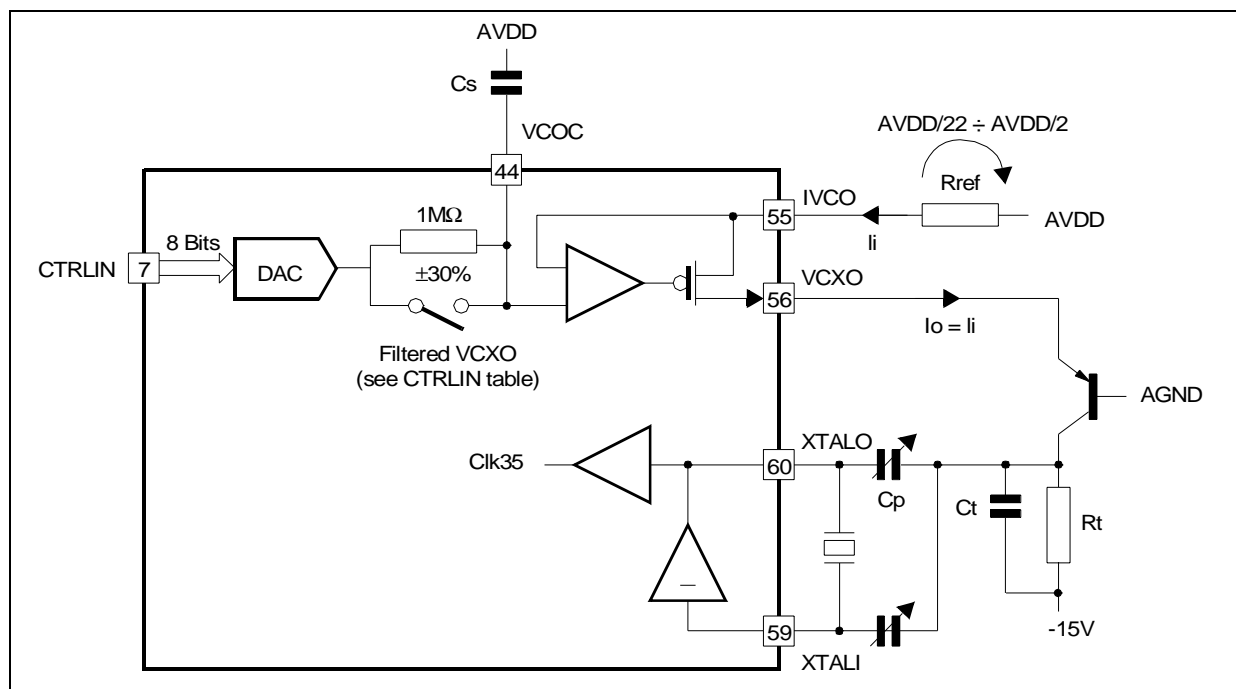
The information coming from the digital processor via the CTRLIN path is used to drive an 8-bit DAC which generates a control current. This current is externally converted and filtered to generate the required control voltage (range:-15V to 0.5V) for the varicap. The VCXO circuit characteristics are given in Table 15.

Table 15 : VCXO circuit Characteristics

Symbol	Parameter	Minimum	Nominal	Maximum	Note
f_{abs}	Absolute frequency accuracy	-15ppm	35.328MHz	+15ppm	
f_{range}	Frequency Tuning Range		± 50 ppm		
IO	VCXO Output Current		100 μ A		Rref = 16.5k Ω AVDD = 3.3V
li	Reference Input Current	100 μ A		1mA	AVDD = 3.3V

N.B: frequency tuning range is proportional to the crystal dynamic capacitance C_m .

Figure 7 : Principle of VCXO control



The tuning must be monotonic with 8-bit resolution with the worst-case tuning step of 2ppm/LSB (8-bit). The time constant of the tuning must be variable from 5s to 10s through an external capacitor C_s ($R = 1\text{M}\Omega \pm 30\%$). This determines the speed of the VCXO in normal operation (slow speed in "show time") with filtered VCXO. For faster tracking, the previous filter is not used and the speed depends on $C_t R_t$.

DIGITAL INTERFACE

Control Interface

The digital setting codes for the ST70134 configuration are sent over a serial line (CTRLIN) using the word clock (CLWD).

The data burst is composed of 16 bits from which the first bit is used as start bit ('0'), the three LSBs being used to identify the data contained in the 12 remaining bits.

Table 16 : Control Interface Bit Mapping

MSB	LSB														RX SETTINGS		
	b15	b14	b13	b12	b11	b10	b9	b8	b7	b6	b5	b4	b3	b2		b1	b0
0	X													0	0	0	External Gain Control GC1 (init = 0)
0		X												0	0	0	External Gain Control GC0 (init = 0)
0			0											0	0	0	Rx input selected = RXIN0, RXIP0 (init)
0			1											0	0	0	Rx input selected = RXIN1, RXIP1 (init)
0					0	0	0	0	0					0	0	0	AGC RX Gain setting 0dB (init)
0					0	0	0	0	1					0	0	0	AGC RX Gain setting 1dB (init)
0				X	X	X	X	X						0	0	0	AGC RX Gain setting XdB (init)
0				1	1	1	1	1						0	0	0	AGC RX Gain setting 31dB (init)
0									0	0				0	0	0	Normal mode Filter selection (init)
0									0	1				0	0	0	Force HC2 for RX path, TX grounded (init)
0									1	0				0	0	0	Force HC1 for RX path (init)
0									1	1				0	0	0	Normal mode Filter selection (init)
b15	b14	b13	b12	b11	b10	b9	b8	b7	b6	b5	b4	b3	b2	b1	b0	TX SETTINGS	
0	0	0	0	0									0	0	1	0	Transmit TX - AGC setting -15dB (init)
0	0	0	0	0	1								0	0	1	0	Transmit TX - AGC setting -14dB (init)
0	X	X	X	X									0	0	1	0	Transmit TX - AGC setting (X - 15) dB (init)
0	1	1	1	1									0	0	1	0	Transmit TX - AGC setting 0dB (init)
0					0	0	0	0					0	0	1	0	Not used (init)
0									X	X	X		0	0	1	0	General Purpose Output (GPO) setting (init = 000)
b15	b14	b13	b12	b11	b10	b9	b8	b7	b6	b5	b4	b3	b2	b1	b0	AFE SETTINGS	
0	0												0	1	0	0	Normal Mode (Digital path) (init)
0	1												0	1	0	0	Digital Loopback (digital TX to digital RX - DAC not used) (init)
0		0											0	1	0	0	Normal Mode (Analog path) (init)
0		1											0	1	0	0	Analog loopback (RXi to TXi - ADC not used) ¹ (init)
0			0										0	1	0	0	VCO DAC disabled (init)
0			1										0	1	0	0	VCO DAC enabled (init)
0				0									0	1	0	0	HC2 filter disabled (init)
0													0	1	0	0	HC2 filter enabled (init)

Note 1. After initialization, this bit has to be cleared (0) to make the device properly operate.

Table 17 : Control Interface Bit Mapping (continued)

MSB		LSB														AFE SETTINGS
b15	b14	b13	b12	b11	b10	b9	b8	b7	b6	b5	b4	b3	b2	b1	b0	
0					0								0	1	0	OSR set to 4 (init)
0					1								0	1	0	OSR set to 2
0						1	1	1					0	1	0	SC freq. selection: Fc = 138kHz (init) *
0						0	1	1					0	1	0	SC freq. selection: Fc ~ 110kHz *
0						1	0	1					0	1	0	SC freq. selection: Fc ~ 170kHz *
0									1	0	0		0	1	0	HC freq. selection: Fc = 1.104MHz (init) *
0									0	1	1		0	1	0	HC freq. selection: Fc ~ 768kHz *
0											0	0	0	1	0	VCXO output NOT filtered ("show-time") (init)
0											1	0	1	0	0	VCXO output filtered (init)
b15	b14	b13	b12	b11	b10	b9	b8	b7	b6	b5	b4	b3	b2	b1	b0	VCO DAC VALUE SETTINGS
0	0	0	0	0	0	0	0	0					0	1	1	VCO DAC CURRENT value @ MINIMUM
0	X	X	X	X	X	X	X	X					0	1	1	VCO DAC CURRENT value @ X
0	1	1	1	1	1	1	1	1					0	1	1	VCO DAC CURRENT value @ MAXIMUM
b15	b14	b13	b12	b11	b10	b9	b8	b7	b6	b5	b4	b3	b2	b1	b0	POWER DOWN ANALOG BLOCK SETTINGS
0	0	0	0	0	0	0	0	0	0	0	0	0	1	0	0	Init
0	0												1	0	0	TXD Active
0	1												1	0	0	TXD in powerdown
0		0											1	0	0	N.U.
0		1											1	0	0	N.U.
0			0										1	0	0	ADC Active
0			1										1	0	0	ADC in powerdown
0				0			1						1	0	0	HFC2 Active
0				1			1						1	0	0	HFC2 in powerdown
0					0		1						1	0	0	HFC1 Active
0					1		1						1	0	0	HFC1 in powerdown
0						0	1						1	0	0	SCF2 Active
0					1	1	1						1	0	0	SCF2 in powerdown
0								0					1	0	0	LNA Active
0								1					1	0	0	LNA in powerdown
0									0	1			1	0	0	DAC Active
0									1	1			1	0	0	DAC in powerdown
0											0		1	0	0	VCODAC Active
0											1		1	0	0	VCODAC in powerdown
0												0	1	0	0	XTAL Active
0												1	1	0	0	XTAL in powerdown
b15	b14	b13	b12	b11	b10	b9	b8	b7	b6	b5	b4	b3	b2	b1	b0	RESERVED
0	X	X	X	X	X	X	X	X	X	X	X	X	1	0	1	RESERVED
0	X	X	X	X	X	X	X	X	X	X	X	X	1	1	0	RESERVED
0	X	X	X	X	X	X	X	X	X	X	X	X	1	1	1	RESERVED

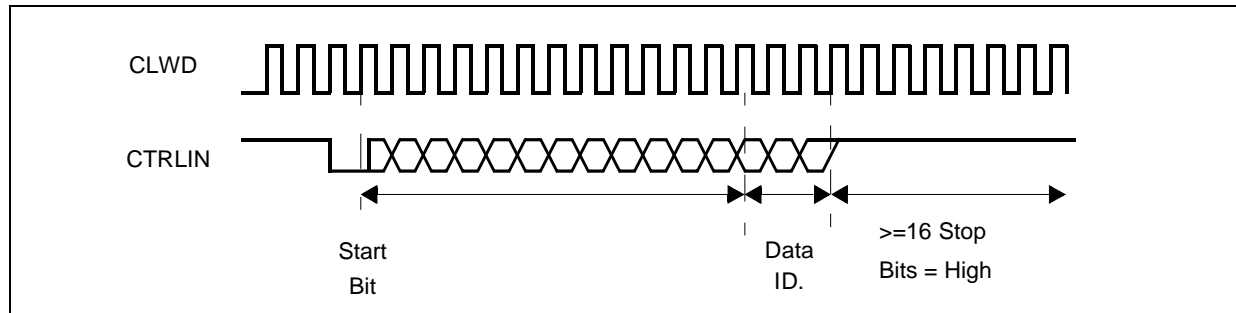
* For each filter, 8 possible frequency values (see Table 5 and Table 11). Notation is 2's complement range from -4 = 100b +3 = 011b. Fc is the frequency band (-1dB)



Control Interface Timing

The word clock (CLWD) is used to sample at negative going edge the control information. The start bit b15 is transmitted first followed by bits b[14:0] and at least 16 stop bits need to be provided to validate the data.

Figure 8 : Control Interface



Data set-up and hold time versus falling edge CLWD must be greater than 10nsec.

Receive / Transmit Interface

RECEIVE / TRANSMIT PROTOCOL

The digital interface is based on 4 x 8.832MHz (35.328MHz) data lines in the following manner:

If OSR = 2 (OSR bit set to 1) is selected, CLKNIB is used as nibble clock (17.664MHz, disabled in normal mode), and all the RXi, TXi, CLKWD periods are twice as long as in normal mode. This ensures a compatibility with lower speed products.

TX Signal Dynamic

The dynamic of data signal for both TX DACs is 12 bits extracted from the available signed 16 bit representation coming from the digital processor.

The maximal positive number is $2^{14}-1$, the most negative number is -2^{14} , the 3 LSBs are filled with '0'. Any signal exceeding these limits is clamped to the maximum value.

Table 18 : TX Data Bit Map

BIT MAP/NIBBLE	N0	N1	N2	N3
TXD0	not used	data bit 1	data bit 5	data bit 9
TXD1	not used	data bit 2	data bit 6	data bit 10
TXD2	not used	data bit 3	data bit 7	data SIGN
TXD3	d0 = data bit 0 (LSB)	data bit 4	data bit 8	data SIGN

Table 19 : TX Nibble Bit Map

N3				N2				N1				N0			
sign	sign	d10	d9	d8	d7	d6	d5	d4	d3	d2	d1	d0	n.u.	n.u.	n.u.

The two sign bits must be identical.

RX Signal Dynamic

The dynamic of the signal from the ADC is limited to 13bits. Those bits are converted to a signed (2's complement) representation with a maximal positive number of $2^{14} - 1$ and a most negative number -2^{14} . The 2 LSBs are filled with '0'.

Table 20 : RX Data Bit Map

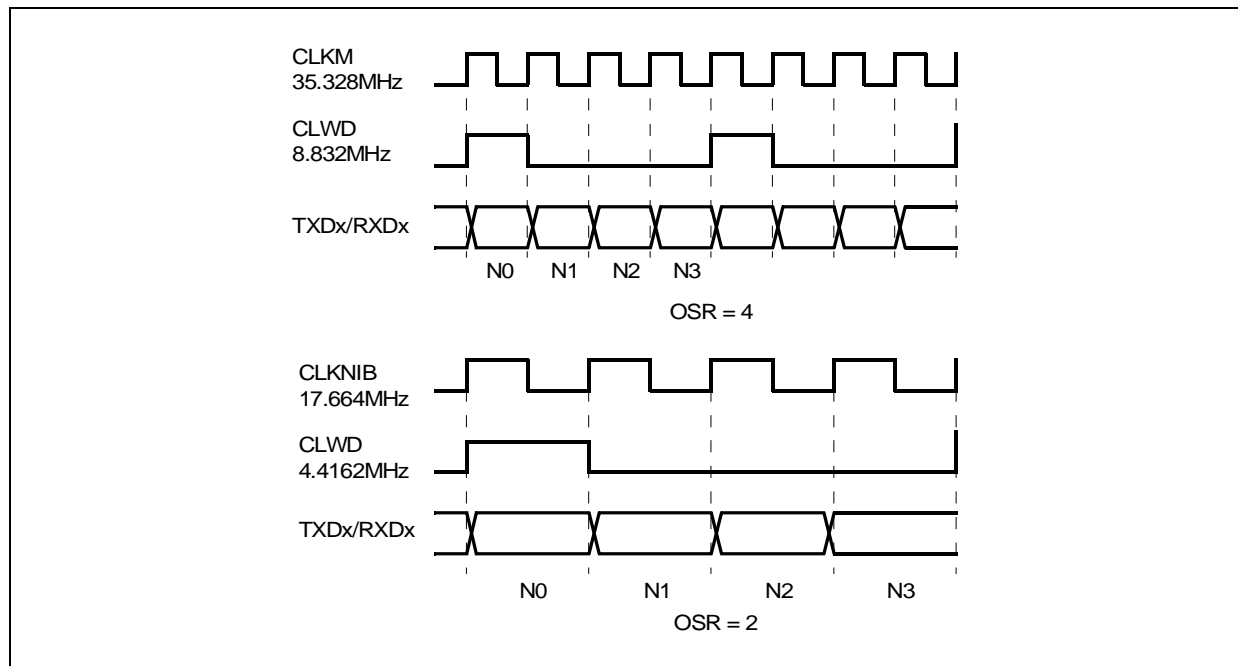
BIT MAP/NIBBLE	N0	N1	N2	N3
RXD0	0	data bit 2	data bit 6	data bit 10
RXD1	0	data bit 3	data bit 7	data bit 11
RXD2	d0 = data bit 0 (LSB)	data bit 4	data bit 8	data SIGN
RXD3	data bit 1	data bit 5	data bit 9	data SIGN

Table 21 : RX Nibble Bit Map

N3				N2				N1				N0			
sign	sign	d11	d10	d9	d8	d7	d6	d5	d4	d3	d2	d1	d0	0	0

The two sign bits must be identical.

Figure 9 : TX/ RX Digital Interface Timing



Receive / Transmit Interface Timing

The interface is a quadruple (RX, TX) nibble - serial interface running at 8.8MHz sampling (normal mode). The data are represented in 16bits format, and transferred in groups of 4 bits (nibbles). The LSBs are transferred first. The ST70134 generates a nibble clock (CLKM master clock in normal mode, CLKNIB in OSR = 2 mode) and word signals shared by the three interfaces.

Data is transmitted on the rising edge of the master clock (CLKM/CLKNIB) and sampled on the falling edge of CLKM/CLKNIB. This holds for the data stream from ST70134 and from the digital processor.

Data, CLWD setup and hold times are 5ns with reference to the falling edge of CLKM/CLKNIB. (not floating).

Data is transmitted on the rising edge of the master clock (CLKM/CLKNIB) and sampled on the low going edge of CLKM/CLKNIB. This holds for the data stream from ST70134 and from the digital processor. Data, CLWD setup and hold times are 5ns with reference to the falling edge of CLKM/CLKNIB. (not floating).

Power Down

When pin Pdown = "1", the chip is set in power down mode. As the Pdown signal is synchronously sampled, minimum duration is 2 periods of the 35MHz clock. In this mode all analog functional blocks are deactivated except: preamplifiers (TX), clock circuits for output clock CLKM. Pdown will not affect the digital part of the chip. Anyway, after a Pdown transition, the digital part status, is updated after 3 clock periods (worst case).

The chip is activated when Pdown = "0".

In power down mode the following conditions hold:

- Output voltages at TXP/TXN = AGND
- Preamplifier is on with maximum gain setting (0dB), (digital gain setting coefficients are over-ruled)
- The XTAL output clock on pin CLKM keeps running.
- All digital setting are retained.

– Digital output on pins RXDx don't care(not floating).

In power-down mode the power consumption is 100mW.

Following external conditions are added:

- Clock pin CLW is running.
- CTRLIN signals can still be allowed.
- AGND remains at AVDD/2 (circuit is powered up)
- Input signal at TXDx inputs are not strobed.

The Pdown signal controls asynchronously the power-down of each analog module:

- After a few μ s the analog channel is functional
- After about 100ms the analog channel delivers full performance

Reset Function

The reset function is implied when the RESETN pin is at a low voltage input level. In this condition, the reset function can be easily used for power up reset conditions.

Detailed Description

During reset: (reset is asynchronous, tenths of ns are enough to put the IC in reset).

All clock outputs are deactivated and put to logical "1" (except for the XTAL and master clock CLKM).

After reset: (4 clock periods after reset transition, as worst case).

- OSR = 4
- All analog gains (RX, TX) are set to minimum value
- Nominal filter frequency bands (138kHz, 1.104MHz)
- LNA input = "11" (max. attenuation)
- VCO dac disabled

Digital outputs are placed in don't care condition (non-floating).

N.B. If a Xtal oscillator is used, the RESET must be released at last 10 μ s after power-on, to ensure a correct duty cycle for the clk35 clock signal.

ELECTRICAL RATINGS AND CHARACTERISTICS

Absolute Maximum Ratings

Symbol	Parameter	Minimum	Maximum	Unit
V _{DD}	Any VDD Supply Voltage, related to substrate	- 0.5	5	V
V _{in}	Voltage at any input pin	-0.5	VDD +0.5	V
T _{stg}	Storage Temperature	-40	125	°C
T _L	Lead Temperature (10 second soldering)		300	°C
I _{LU}	Latch - up current @80°C	100		mA
I _{AVDD}	Analog Supply Current @ 3.6V - normal operation		165	mA
I _{AVDD}	Analog Supply Current @ 3.6V - power down		30	mA
I _{DVDD}	Analog Supply Current @ 3.6V - normal operation		56	mA
I _{DVDD}	Analog Supply Current @ 3.6V - power down		50	mA

Thermal Data

Symbol	Parameter	Value	Unit
R _{th j-amb}	Thermal and Junction ambient	50	°C/W

Operating Conditions

(Unless specified, the characteristic limits of 'Static Characteristics' in this document apply over an T_{op} = -40 to 80°C; V_{DD} within the range 3 to 3.6V ref. to substrate.

Symbol	Parameter	Minimum	Maximum	Unit
AVDD	AVDD Supply Voltage, related to substrate	3.0	3.6	V
DVDD	DVDD Supply Voltage, related to substrate	2.7	3.6	V
V _{in} / V _{out}	Voltage at any input and output pin	0	VDD	V
P _d	Power Dissipation	0.4	0.6	W
T _{amb}	Ambient Temperature	-40	80	°C
T _j	Junction Temperature	-40	110	°C

STATIC CHARACTERISTICS

Digital Inputs

Schmitt-trigger inputs: TXi, CTRLIN, PDOWN, RESETN

Symbol	Parameter	Test Condition	Minimum	Typical	Maximum	Unit
V _{IL}	Low Level Input Voltage				0.3 x DVDD	V
V _{IH}	High Level Input Voltage		0.7 x DVDD			V
V _H	Hysteresis		1.0		1.3	V
C _{imp}	Input Capacitance				3	pF

Digital Outputs

Hard Driven Outputs: RXi

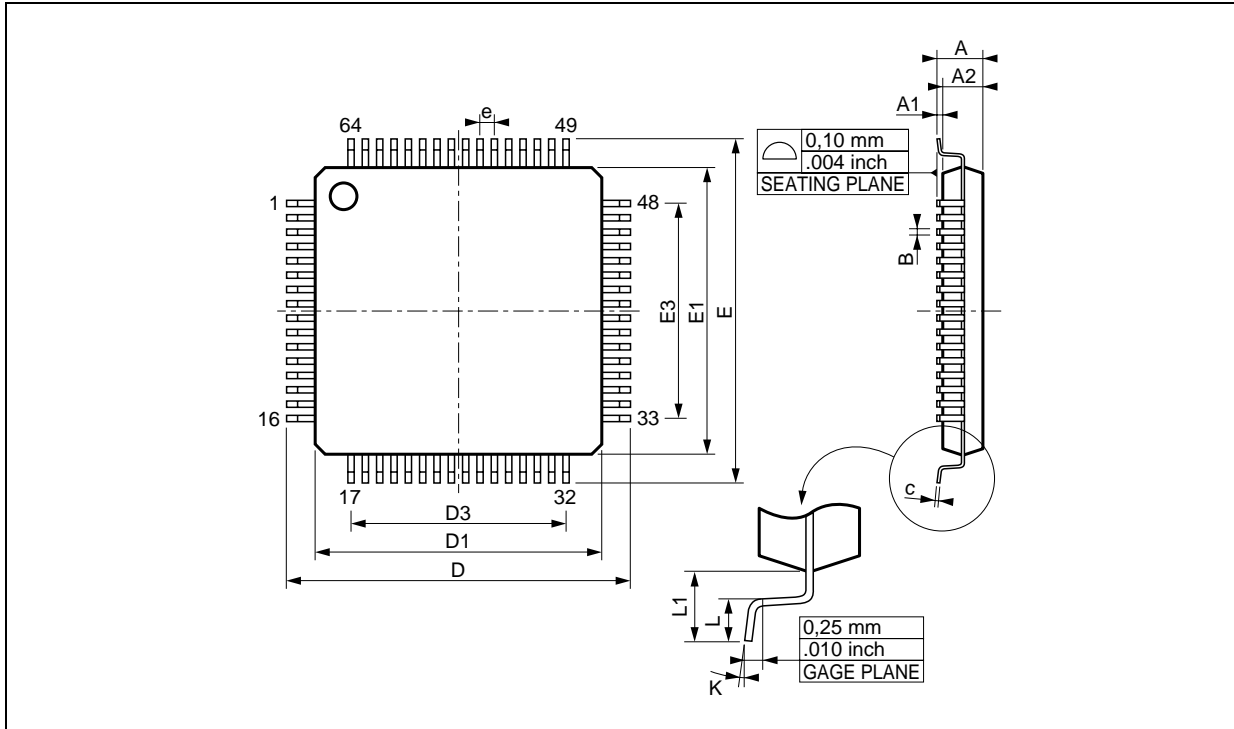
Symbol	Parameter	Test Condition	Minimum	Typical	Maximum	Unit
V _{OL}	Low Level Output Voltage	I _{out} = -4mA			0.15 x DVDD	V
V _{OH}	High Level Output Voltage	I _{out} = 4mA	0.85 x DVDD			V
C _{load}	Load Capacitance				30	pF

Clock Driver Output: CLKM, CLNIB, CLKWD

Symbol	Parameter	Test Condition	Minimum	Typical	Maximum	Unit
V _{OL}	Low Level Output Voltage	I _{out} = -4mA			0.15 x DVDD	V
V _{OH}	High Level Output Voltage	I _{out} = 4mA	0.85 x DVDD			V
C _{load}	Load Capacitance				30	pF
DC	Duty Cycle		45		55	%

PACKAGE MECHANICAL DATA

Figure 10 : Package Outline TQFP64



Dimension	Millimeter			Inch		
	Minimum	Typical	Maximum	Minimum	Typical	Maximum
A			1.60			0.063
A1	0.05		0.15	0.002		0.006
A2	1.35	1.40	1.45	0.053	0.055	0.057
B	0.18	0.23	0.28	0.007	0.009	0.011
C	0.12	0.16	0.20	0.0047	0.0063	0.0079
D		12.00			0.472	
D1		10.00			0.394	
D3		7.50			0.295	
e		0.50			0.0197	
E		12.00			0.472	
E1		10.00			0.394	
E3		7.50			0.295	
L	0.40	0.60	0.75	0.0157	0.0236	0.0295
L1		1.00			0.0393	
K	0° (minimum), 7° (maximum)					

Information furnished is believed to be accurate and reliable. However, STMicroelectronics assumes no responsibility for the consequences of use of such information nor for any infringement of patents or other rights of third parties which may result from its use. No license is granted by implication or otherwise under any patent or patent rights of STMicroelectronics. Specifications mentioned in this publication are subject to change without notice. This publication supersedes and replaces all information previously supplied. STMicroelectronics products are not authorized for use as critical components in life support devices or systems without express written approval of STMicroelectronics.

The ST logo is a registered trademark of STMicroelectronics
© 2001 STMicroelectronics - All Rights Reserved

STMicroelectronics GROUP OF COMPANIES

Australia - Brazil - Canada - China - Finland - France - Germany - Hong Kong - India - Israel - Italy - Japan - Malaysia - Malta - Morocco
Singapore - Spain - Sweden - Switzerland - United Kingdom - United States

<http://www.st.com>

ST70134A.PDF