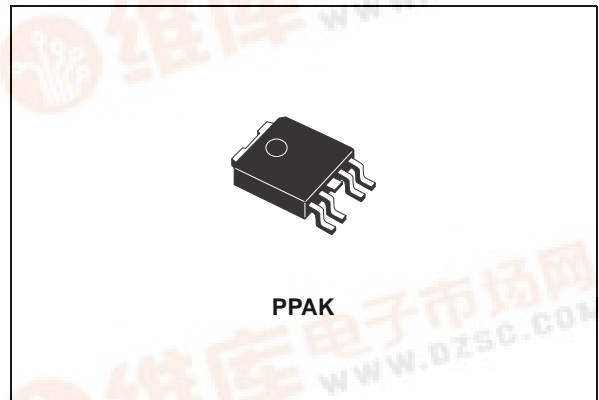




L4987 SERIES

VERY LOW DROP VOLTAGE REGULATORS WITH INHIBIT AND DROPOUT CONTROL FLAG

- VERY LOW DROPOUT VOLTAGE (0.25V TYP.)
- DROPOUT CONTROL FLAG
- VERY LOW QUIESCENT CURRENT
- (TYP. 90 mA IN OFF MODE, 500mA IN ON MODE)
- OUTPUT CURRENT UP TO 200 mA
- LOGIC-CONTROLLED ELECTRONIC SHUTDOWN
- OUTPUT VOLTAGES OF 3V, 3.3V, 5V, 8.7V, 12V
- INTERNAL CURRENT AND THERMAL LIMIT
- ONLY 2.2μF FOR STABILITY
- AVAILABLE IN ± 2% SELECTION AT 25°C
- SUPPLY VOLTAGE REJECTION: 70dB (TYP.)

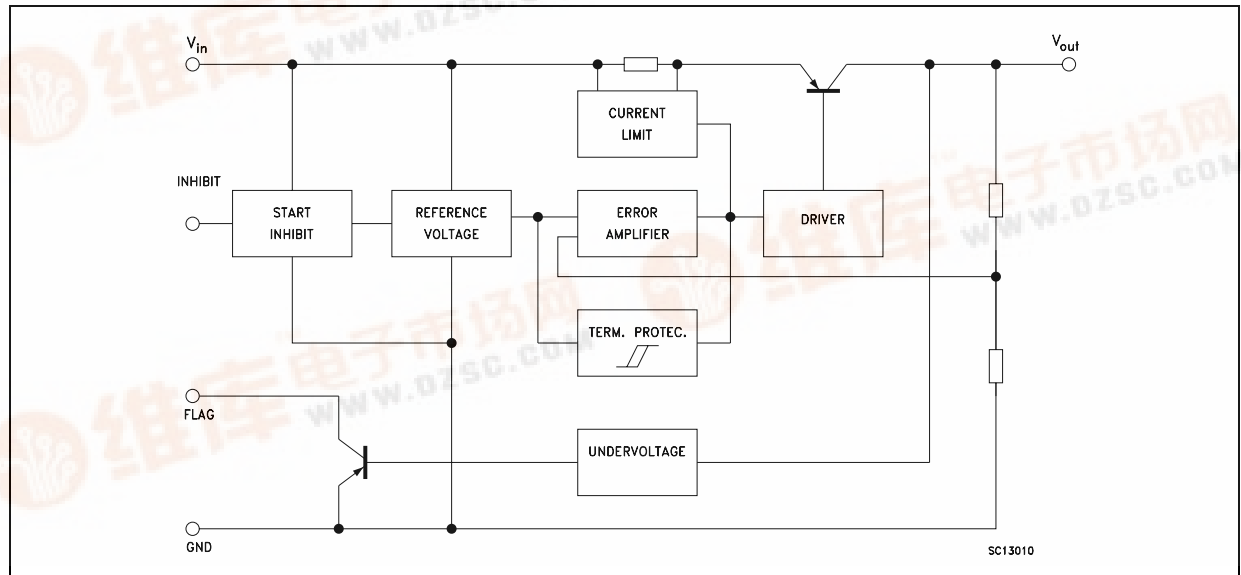


DESCRIPTION

The L4987 is a very low drop regulator available in PPAK. The very low drop-voltage (0.5V Max at 200 mA) and the very low quiescent current make it particularly suitable for low noise, low power applications, and in battery powered systems. The input dump protection up to 40V makes it ideal for automotive applications. a shutdown Logic Control function is available (pin2, TTL compatible). This means that when the device is used as a local regulator, it is possible to put a part

of the board in standby, decreasing the total power consumption. The regulator employs an output pin (open collector) providing a logic signal when the pass transistor is in saturation at low input voltage, this signal can be used to prevent the pop-up phenomenon in the car radio. In battery powered systems (the cellular phone, notebook) it is possible to use the flag to monitor the battery charge status through the dropout of the regulator.

SCHEMATIC DIAGRAM



L4987 SERIES

ABSOLUTE MAXIMUM RATINGS

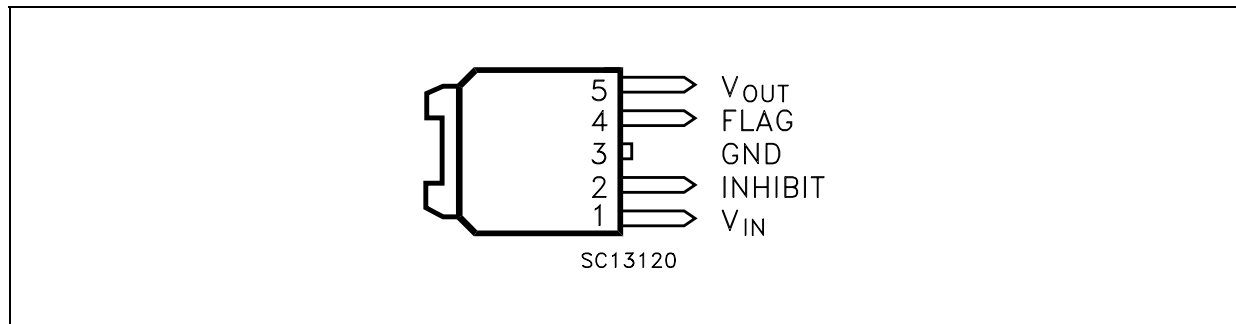
Symbol	Parameter ²	Value	Unit
V_I	DC Input Voltage	40	V
I_O	Output Current	Internally Limited	
P_{tot}	Power Dissipation	Internally Limited	
T_{stg}	Storage Temperature Range	-40 to 150	°C
T_{op}	Operating Junction Temperature Range	-40 to 125	°C

Absolute Maximum Ratings are those values beyond which damage to the device may occur. Functional operation under these condition is not implied.

THERMAL DATA

Symbol	Parameter	PPAK	Unit
$R_{thj-case}$	Thermal Resistance Junction-case	8	°C/W
$R_{thj-amb}$	Thermal Resistance Junction-ambient	100	°C/W

CONNECTION DIAGRAM (top view)



ORDERING CODES

TYPE	OUTPUT VOLTAGE
L4987CPT30 (*)	3.0 V
L4987CPT33 (*)	3.3 V
L4987CPT50 (*)	5.0 V
L4987CPT87 (*)	8.7 V
L4987CPT120 (*)	12 V

(*) Available even in tape & reel.

ELECTRICAL CHARACTERISTICS OF L4987CPT30 (refer to the test circuits, $V_I = 6V$, $I_O = 5mA$, $T_J = 25^\circ C$, $C_I = 0.1 \mu F$, $C_O = 2.2 \mu F$ unless otherwise specified)

Symbol	Parameter	Test Conditions	Min.	Typ.	Max.	Unit
V_O	Output Voltage	$I_O = 200 \text{ mA}$ $V_I = 6 \text{ V}$	2.94	3	3.06	V
		$I_O = 200 \text{ mA}$ $V_I = 6 \text{ V}$ $T_J = -40 \text{ to } 125^\circ C$	2.88		3.12	
V_I	Operating Input Voltage	$I_O = 200 \text{ mA}$	3.62		18	V
I_{out}	Output Current Limit		250			A
ΔV_O	Line Regulation	$V_I = 4.3 \text{ to } 18 \text{ V}$ $I_O = 0.5 \text{ mA}$		2.4	14	mV
ΔV_O	Load Regulation	$V_I = 4.1 \text{ V}$ $I_O = 0.5 \text{ to } 200 \text{ mA}$		3	20	mV
I_d	Quiescent Current ON MODE	$V_I = 4.3 \text{ to } 18 \text{ V}$ $I_O = 0 \text{ mA}$		0.7	1	mA
		$V_I = 4.3 \text{ to } 18 \text{ V}$ $I_O = 200 \text{ mA}$		1.5	6	
	OFF MODE	$V_I = 12 \text{ V}$		90	180	μA
SVR	Supply Voltage Rejection	$I_O = 5 \text{ mA}$ $V_I = 5.3 \pm 1 \text{ V}$	$f = 120 \text{ Hz}$	80		dB
			$f = 1 \text{ KHz}$	75		
			$f = 10 \text{ KHz}$	60		
V_d	Dropout Voltage	$I_O = 200 \text{ mA}$		0.25	0.5	V
		$I_O = 200 \text{ mA}$ $T_J = -40 \text{ to } 125^\circ C$			0.7	
V_{IL}	Control Input Logic Low	$T_J = -40 \text{ to } 125^\circ C$			0.8	V
V_{IH}	Control Input Logic High	$T_J = -40 \text{ to } 125^\circ C$	2			V
I_I	Control Input Current			10		μA
C_O	Output Bypass Capacitance	$ESR = 0.5 \text{ to } 10 \Omega$ $I_O = 0 \text{ to } 200 \text{ mA}$ $T_J = -40 \text{ to } 125^\circ C$	2	10		μF
V_{FL}	Control Flag Output Low	$V_I - V_O < V_{CESAT}$ power, $I_{FL} = 6 \text{ mA}$ $I_O = 200 \text{ mA}$			0.5	V
I_{FH}	Control Flag Output High Leakage Current	$V_I > 3.62 \text{ V}$, $V_{OH} = 15 \text{ V}$			10	μA

L4987 SERIES

ELECTRICAL CHARACTERISTICS OF L4987CPT33 (refer to the test circuits, $V_I = 6.3\text{V}$, $I_O = 5\text{mA}$, $T_J = 25^\circ\text{C}$, $C_I = 0.1\ \mu\text{F}$, $C_O = 2.2\ \mu\text{F}$ unless otherwise specified)

Symbol	Parameter	Test Conditions	Min.	Typ.	Max.	Unit
V_O	Output Voltage	$I_O = 200\ \text{mA}$ $V_I = 6.3\ \text{V}$	2.88	3.3	3.066	V
		$I_O = 200\ \text{mA}$ $V_I = 6.3\ \text{V}$ $T_J = -40\ \text{to}\ 125^\circ\text{C}$	2.76		3.432	
V_I	Operating Input Voltage	$I_O = 200\ \text{mA}$	4		18	V
I_{out}	Output Current Limit		250			A
ΔV_O	Line Regulation	$V_I = 4.6\ \text{to}\ 18\ \text{V}$ $I_O = 0.5\ \text{mA}$		2.4	14	mV
ΔV_O	Load Regulation	$V_I = 4.4\ \text{V}$ $I_O = 0.5\ \text{to}\ 200\ \text{mA}$		3	20	mV
I_d	Quiescent Current ON MODE	$V_I = 4.6\ \text{to}\ 18\ \text{V}$ $I_O = 0\ \text{mA}$		0.7	1	mA
		$V_I = 4.6\ \text{to}\ 18\ \text{V}$ $I_O = 200\ \text{mA}$		1.5	6	
	OFF MODE	$V_I = 12\ \text{V}$		90	180	μA
SVR	Supply Voltage Rejection	$I_O = 5\ \text{mA}$ $V_I = 5.6 \pm 1\ \text{V}$	$f = 120\ \text{Hz}$	80		dB
			$f = 1\ \text{KHz}$	75		
			$f = 10\ \text{KHz}$	60		
V_d	Dropout Voltage	$I_O = 200\ \text{mA}$		0.25	0.5	V
		$I_O = 200\ \text{mA}$ $T_J = -40\ \text{to}\ 125^\circ\text{C}$			0.7	
V_{IL}	Control Input Logic Low	$T_J = -40\ \text{to}\ 125^\circ\text{C}$			0.8	V
V_{IH}	Control Input Logic High	$T_J = -40\ \text{to}\ 125^\circ\text{C}$	2			V
I_I	Control Input Current			10		μA
C_O	Output Bypass Capacitance	ESR = 0.5 to 10 Ω $I_O = 0\ \text{to}\ 200\ \text{mA}$ $T_J = -40\ \text{to}\ 125^\circ\text{C}$	2	10		μF
V_{FL}	Control Flag Output Low	$V_I - V_O < V_{\text{CESAT}}$ power, $I_{\text{FL}} = 6\ \text{mA}$ $I_O = 200\ \text{mA}$			0.5	V
I_{FH}	Control Flag Output High Leakage Current	$V_I > 4\ \text{V}$, $V_{\text{OH}} = 15\ \text{V}$			10	μA

ELECTRICAL CHARACTERISTICS OF L4987CPT50 (refer to the test circuits, $V_I = 8V$, $I_O = 5mA$, $T_J = 25^\circ C$, $C_I = 0.1 \mu F$, $C_O = 2.2 \mu F$ unless otherwise specified)

Symbol	Parameter	Test Conditions	Min.	Typ.	Max.	Unit
V_O	Output Voltage	$I_O = 200 \text{ mA}$ $V_I = 8 \text{ V}$	4.9	5	5.1	V
		$I_O = 200 \text{ mA}$ $V_I = 8 \text{ V}$ $T_J = -40 \text{ to } 125^\circ C$	4.8		5.2	
V_I	Operating Input Voltage	$I_O = 200 \text{ mA}$	5.7		18	V
I_{out}	Output Current Limit		250			A
ΔV_O	Line Regulation	$V_I = 6.3 \text{ to } 18 \text{ V}$ $I_O = 0.5 \text{ mA}$		3	20	mV
ΔV_O	Load Regulation	$V_I = 3.6 \text{ V}$ $I_O = 0.5 \text{ to } 200 \text{ mA}$		3	20	mV
I_d	Quiescent Current ON MODE	$V_I = 6.3 \text{ to } 18 \text{ V}$ $I_O = 0 \text{ mA}$		0.7	1	mA
		$V_I = 6.3 \text{ to } 18 \text{ V}$ $I_O = 200 \text{ mA}$		1.5	6	
	OFF MODE	$V_I = 12 \text{ V}$		90	180	μA
SVR	Supply Voltage Rejection	$I_O = 5 \text{ mA}$ $V_I = 7.3 \pm 1 \text{ V}$	$f = 120 \text{ Hz}$	76		dB
			$f = 1 \text{ KHz}$	71		
			$f = 10 \text{ KHz}$	58		
V_d	Dropout Voltage	$I_O = 200 \text{ mA}$		0.3	0.5	V
		$I_O = 200 \text{ mA}$ $T_J = -40 \text{ to } 125^\circ C$			0.7	
V_{IL}	Control Input Logic Low	$T_J = -40 \text{ to } 125^\circ C$			0.8	V
V_{IH}	Control Input Logic High	$T_J = -40 \text{ to } 125^\circ C$	2			V
I_I	Control Input Current			10		μA
C_O	Output Bypass Capacitance	$ESR = 0.5 \text{ to } 10 \Omega$ $I_O = 0 \text{ to } 200 \text{ mA}$ $T_J = -40 \text{ to } 125^\circ C$	2	10		μF
V_{FL}	Control Flag Output Low	$V_I - V_O < V_{CESAT}$ power, $I_{FL} = 6 \text{ mA}$ $I_O = 200 \text{ mA}$			0.5	V
I_{FH}	Control Flag Output High Leakage Current	$V_I > 5.85 \text{ V}$, $V_{OH} = 15 \text{ V}$			10	μA

L4987 SERIES

ELECTRICAL CHARACTERISTICS OF L4987CPT87 (refer to the test circuits, $V_I = 11.7V$, $I_O = 5mA$, $T_J = 25^\circ C$, $C_I = 0.1 \mu F$, $C_O = 2.2 \mu F$ unless otherwise specified)

Symbol	Parameter	Test Conditions	Min.	Typ.	Max.	Unit
V_O	Output Voltage	$I_O = 200 \text{ mA}$ $V_I = 11.7 \text{ V}$	8.526	8.7	8.874	V
		$I_O = 200 \text{ mA}$ $V_I = 11.7 \text{ V}$ $T_J = -40 \text{ to } 125^\circ C$	8.35		9.05	
V_I	Operating Input Voltage	$I_O = 200 \text{ mA}$	9.55		18	V
I_{out}	Output Current Limit		250			A
ΔV_O	Line Regulation	$V_I = 10 \text{ to } 18 \text{ V}$ $I_O = 0.5 \text{ mA}$		4	24	mV
ΔV_O	Load Regulation	$V_I = 10 \text{ V}$ $I_O = 0.5 \text{ to } 200 \text{ mA}$		3	20	mV
I_d	Quiescent Current ON MODE	$V_I = 10 \text{ to } 18 \text{ V}$ $I_O = 0 \text{ mA}$		0.5	1	mA
		$V_I = 10 \text{ to } 18 \text{ V}$ $I_O = 200 \text{ mA}$		3	6	
	OFF MODE	$V_I = 12 \text{ V}$		90	180	μA
SVR	Supply Voltage Rejection	$I_O = 5 \text{ mA}$ $V_I = 11 \pm 1 \text{ V}$	$f = 120 \text{ Hz}$	71		dB
			$f = 1 \text{ KHz}$	68		
			$f = 10 \text{ KHz}$	55		
V_d	Dropout Voltage	$I_O = 200 \text{ mA}$		0.3	0.5	V
		$I_O = 200 \text{ mA}$ $T_J = -40 \text{ to } 125^\circ C$			0.7	
V_{IL}	Control Input Logic Low	$T_J = -40 \text{ to } 125^\circ C$			0.8	V
V_{IH}	Control Input Logic High	$T_J = -40 \text{ to } 125^\circ C$	2			V
I_I	Control Input Current			10		μA
C_O	Output Bypass Capacitance	ESR = 0.5 to 10 Ω $I_O = 0 \text{ to } 200 \text{ mA}$ $T_J = -40 \text{ to } 125^\circ C$	2	10		μF
V_{FL}	Control Flag Output Low	$V_I - V_O < V_{CESAT}$ power, $I_{FL} = 6 \text{ mA}$ $I_O = 200 \text{ mA}$			0.5	V
I_{FH}	Control Flag Output High Leakage Current	$V_I > 9.55 \text{ V}$, $V_{OH} = 15 \text{ V}$			10	μA

ELECTRICAL CHARACTERISTICS OF L4987CPT120 (refer to the test circuits, $V_I = 15V$, $I_O = 5mA$, $T_J = 25^\circ C$, $C_I = 0.1 \mu F$, $C_O = 2.2 \mu F$ unless otherwise specified)

Symbol	Parameter	Test Conditions	Min.	Typ.	Max.	Unit
V_O	Output Voltage	$I_O = 200 \text{ mA}$ $V_I = 15 \text{ V}$	11.76	12	8.874	V
		$I_O = 200 \text{ mA}$ $V_I = 15 \text{ V}$ $T_J = -40 \text{ to } 125^\circ C$	11.52		9.05	
V_I	Operating Input Voltage	$I_O = 200 \text{ mA}$	12.75		18	V
I_{out}	Output Current Limit		250			A
ΔV_O	Line Regulation	$V_I = 13.5 \text{ to } 18 \text{ V}$ $I_O = 0.5 \text{ mA}$		5	30	mV
ΔV_O	Load Regulation	$V_I = 13.5 \text{ V}$ $I_O = 0.5 \text{ to } 200 \text{ mA}$		3	20	mV
I_d	Quiescent Current ON MODE	$V_I = 13.5 \text{ to } 18 \text{ V}$ $I_O = 0 \text{ mA}$		0.5	1	mA
		$V_I = 13.5 \text{ to } 18 \text{ V}$ $I_O = 200 \text{ mA}$		3	6	
	OFF MODE	$V_I = 12 \text{ V}$		90	180	μA
SVR	Supply Voltage Rejection	$I_O = 5 \text{ mA}$ $V_I = 14.5 \pm 1 \text{ V}$	$f = 120 \text{ Hz}$	67		dB
			$f = 1 \text{ KHz}$	64		
			$f = 10 \text{ KHz}$	51		
V_d	Dropout Voltage	$I_O = 200 \text{ mA}$		0.3	0.5	V
		$I_O = 200 \text{ mA}$ $T_J = -40 \text{ to } 125^\circ C$			0.7	
V_{IL}	Control Input Logic Low	$T_J = -40 \text{ to } 125^\circ C$			0.8	V
V_{IH}	Control Input Logic High	$T_J = -40 \text{ to } 125^\circ C$	2			V
I_I	Control Input Current			10		μA
C_O	Output Bypass Capacitance	ESR = 0.5 to 10 Ω $I_O = 0 \text{ to } 200 \text{ mA}$ $T_J = -40 \text{ to } 125^\circ C$	2	10		μF
V_{FL}	Control Flag Output Low	$V_I - V_O < V_{CESAT}$ power, $I_{FL} = 6mA$ $I_O = 200mA$			0.5	V
I_{FH}	Control Flag Output High Leakage Current	$V_I > 9.55 \text{ V}$, $V_{OH} = 15 \text{ V}$			10	μA

L4987 SERIES

TYPICAL PERFORMANCE CHARACTERISTICS (Unless otherwise specified $T_J = 25^\circ\text{C}$, $C_I=C_O=0.1 \mu\text{F}$)

Figure 1 : Output and Flag Voltage vs Input Voltage

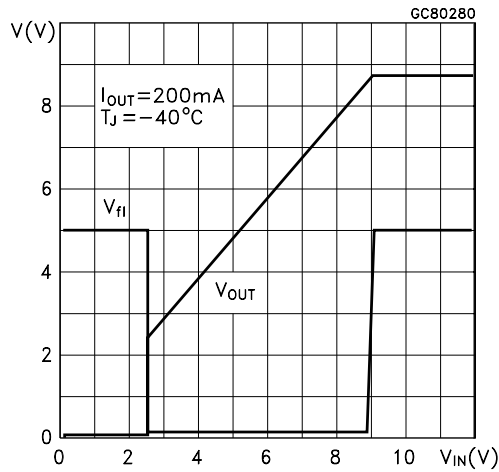


Figure 2 : Output Voltage vs Input Voltage

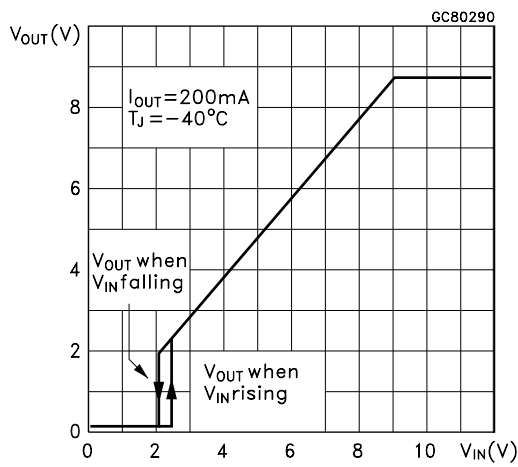


Figure 3 : Output and Flag Voltage vs Input Voltage

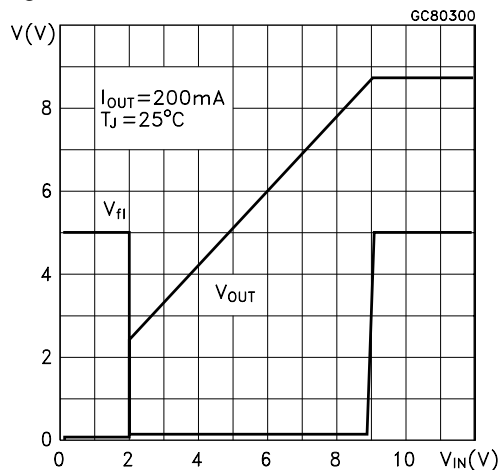


Figure 4 : Output Voltage vs Input Voltage

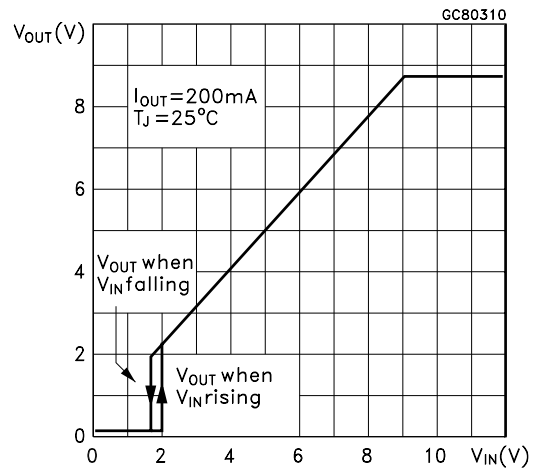


Figure 5 : Output and Flag Voltage vs Input Voltage

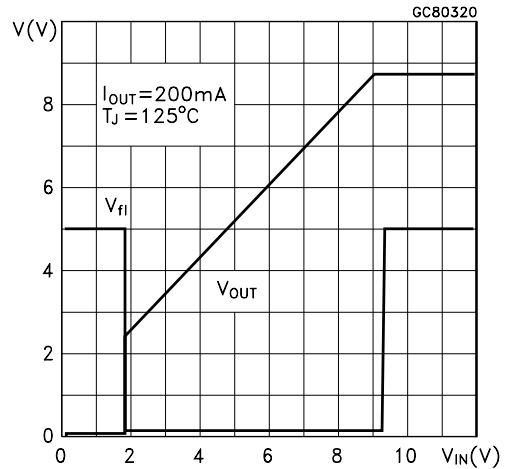
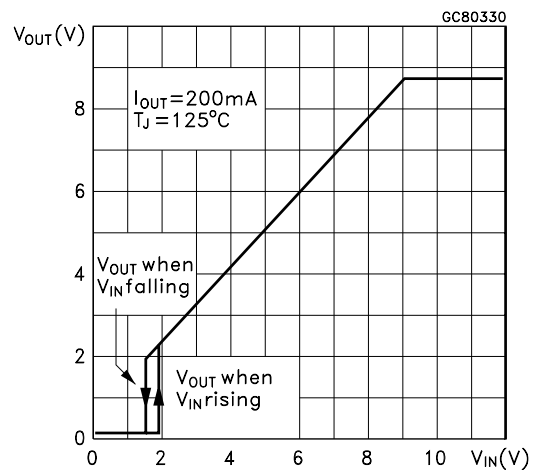


Figure 6 : Output Voltage vs Input Voltage



APPLICATION HINT OF L4987CPT30

HOW TO USE THE CONTROL FLAG

The flag produces a logic "low" whenever the output drops out of regulation. An "out of regulation condition can result from:

- 1) Low Input Voltage ($V_{IN} \leq V_{OUT} + V_{DROP}$)
- 2) Current Limiting
- 3) Thermal Limiting

Figure 1 to 2 show the typical behavior of the output voltage and the control flag versus the input voltage and the temperature. No hysteresis is implemented; so the response of V_{OUT} and V_{FLAG} are the same either when the V_{IN} ramps up or down.

The control flag is an open collector which requires an external pull-up resistor. This may be connected to the regulator output (Figure 9) or some other supply voltage (Figure 10).

Using the regulator output prevents an invalid "high" on the flag which occurs if it is pulled up to an external voltage while the regulator input voltage is reduced below about 2V (Figure 12).

Concerning the pull-up resistor its value must be properly chosen as suggested below. When "low" as it is possible to see in figure 6 the control flag voltage is:

$$V_{FLAG(LOW)} = V_{CE} = 0.5 = V_{SUPPLY} - R_{PULL} \times I_{FL}$$

V_{SUPPLY} is chosen by design and, thus is known, while I_{FL} must be at maximum 10mA.

$$\text{Then } 0.5V \geq V_{SUPPLY} - R_{PULL} \times 10mA$$

The minimum value of R_{PULL} , is, so, determined by the following equation:

$$R_{PULL(min)} \geq V_{SUPPLY} - 0.5/10 \text{ mA}$$

Regarding the maximum value of R_{PULL} note that its value depends of the type of logic used (CMOS, TTL etc.), the transistor leakage current and the presence or not of a load on V_{FLAG} .

The following example shows how to determine the R_{PULL} max in the case of CMOS logic, no load and 10µA (for L4978 it is the maximum value of I_{FH}) of control flag leakage current.

Because of CMOS logic:

$$V_{FLAG(HIGH)} \geq 2/3 V_{SUPPLY}$$

But:

$$V_{FLAG(HIGH)} = V_{SUPPLY} - R_{PULL} \times I_{FH} \geq 2/3 V_{SUPPLY}$$

so, the maximum value is determined by the following equation:

$$R_{PULL(MAX)} \leq (1/3 V_{SUPPLY})/10 \text{ A}$$

Figure 7 : Output and Flag Voltage vs Input

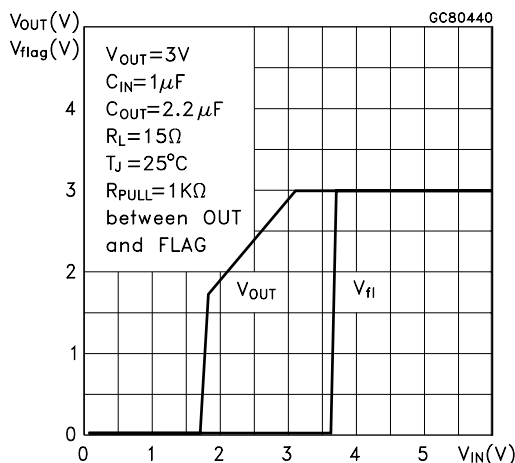
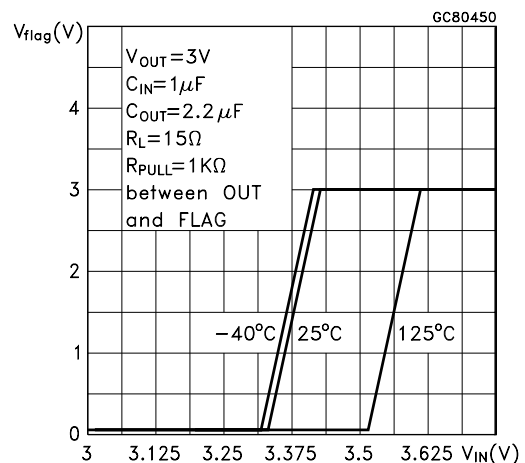


Figure 8 : Flag Voltage vs Input



L4987 SERIES

Figure 9 : Test Circuit

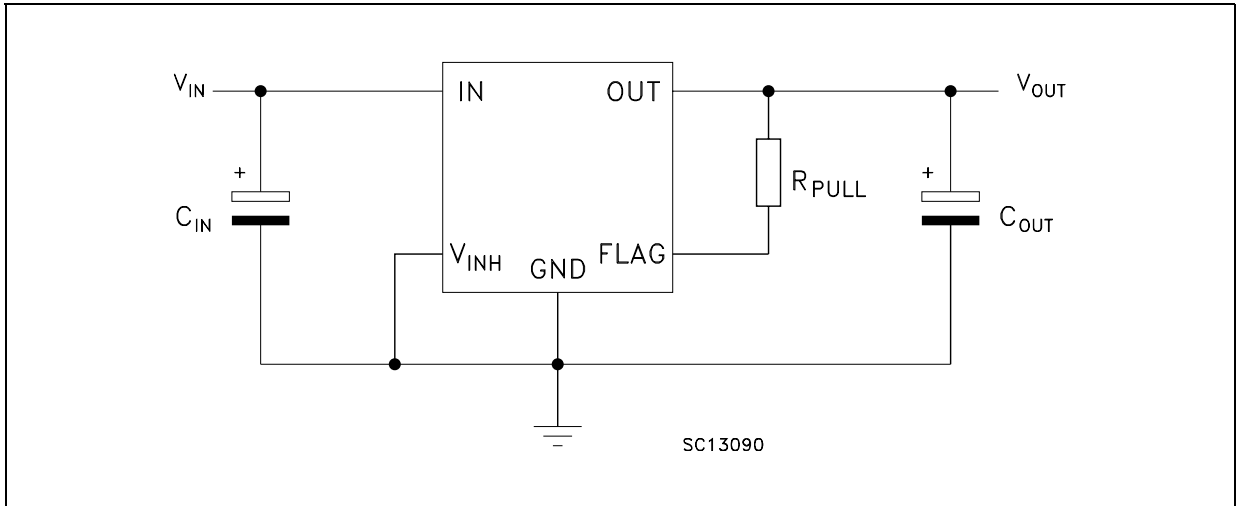


Figure 10 : Test Circuit

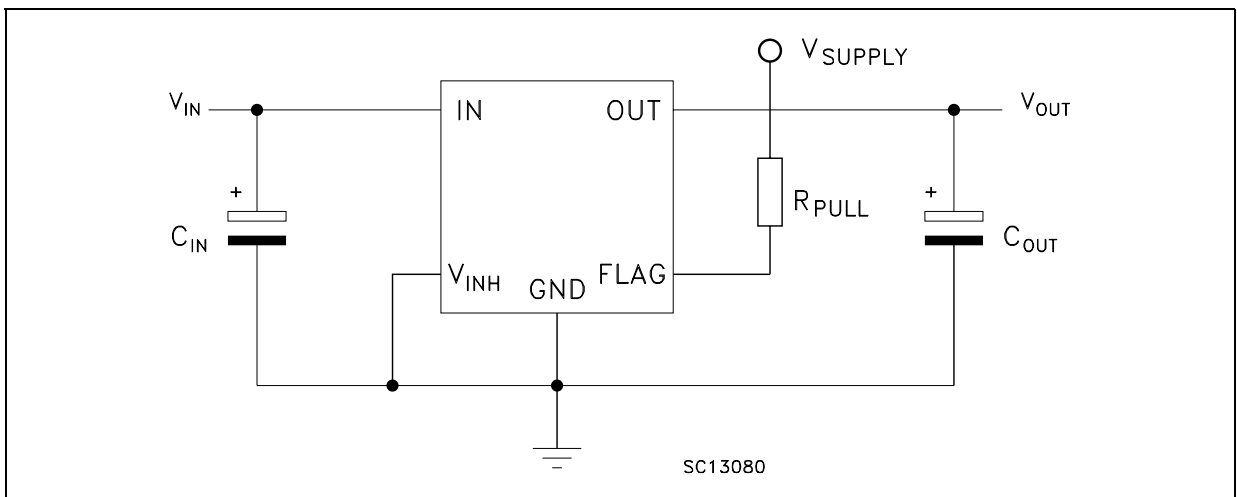


Figure 11 : Equivalent Output Circuit

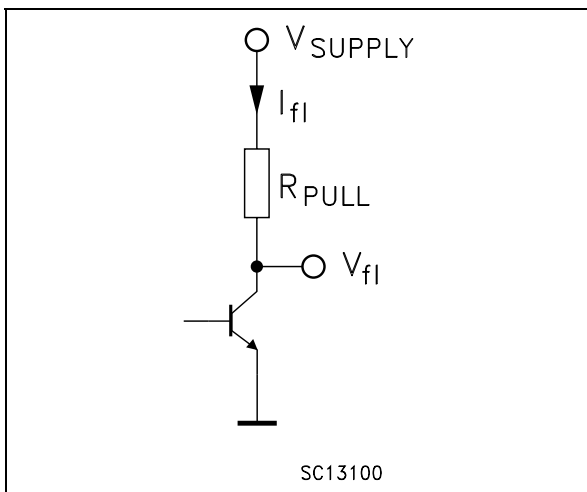
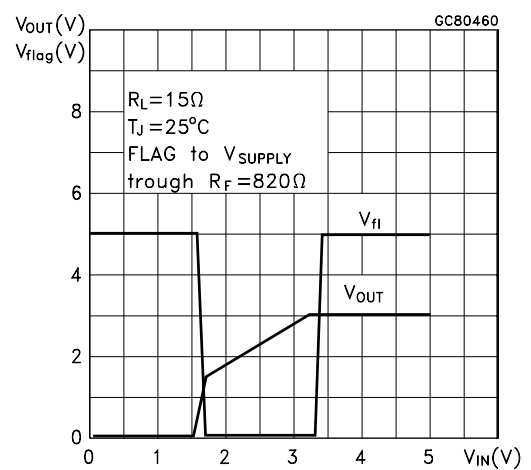
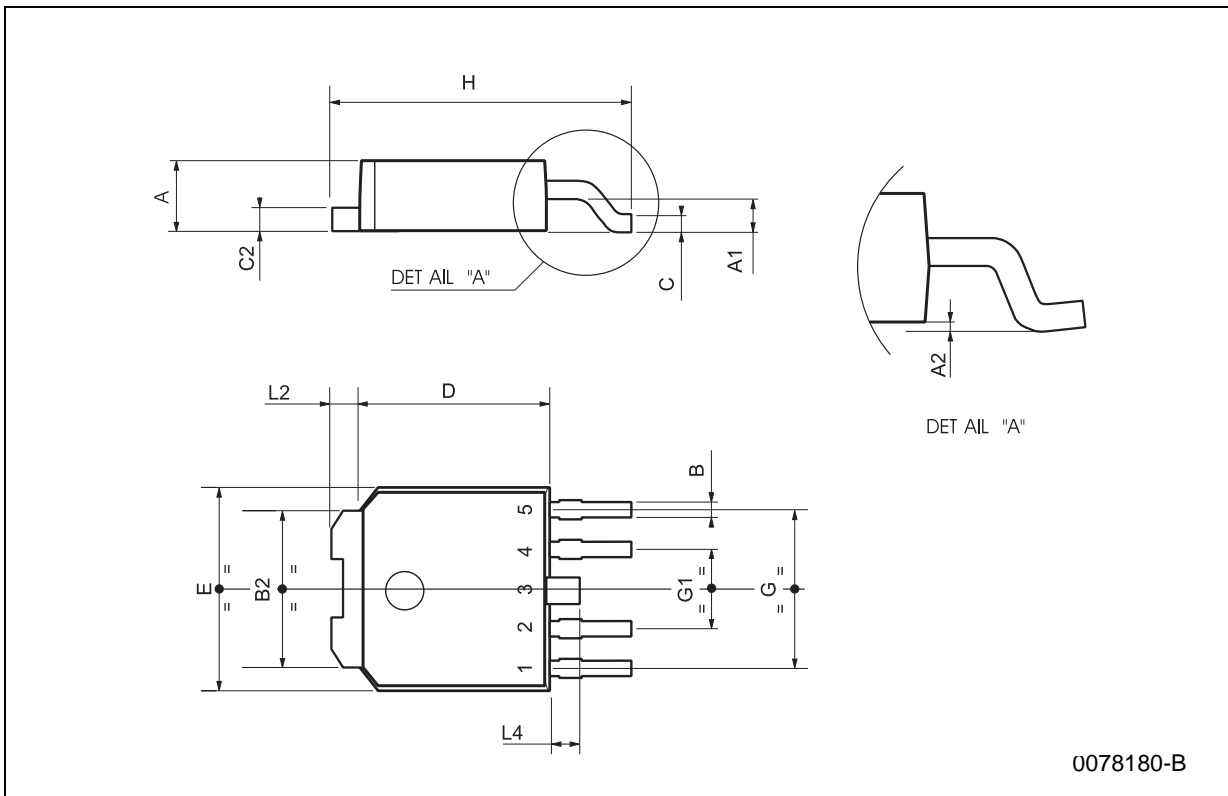


Figure 12 : Output and Flag Voltage vs Input



PPAK MECHANICAL DATA

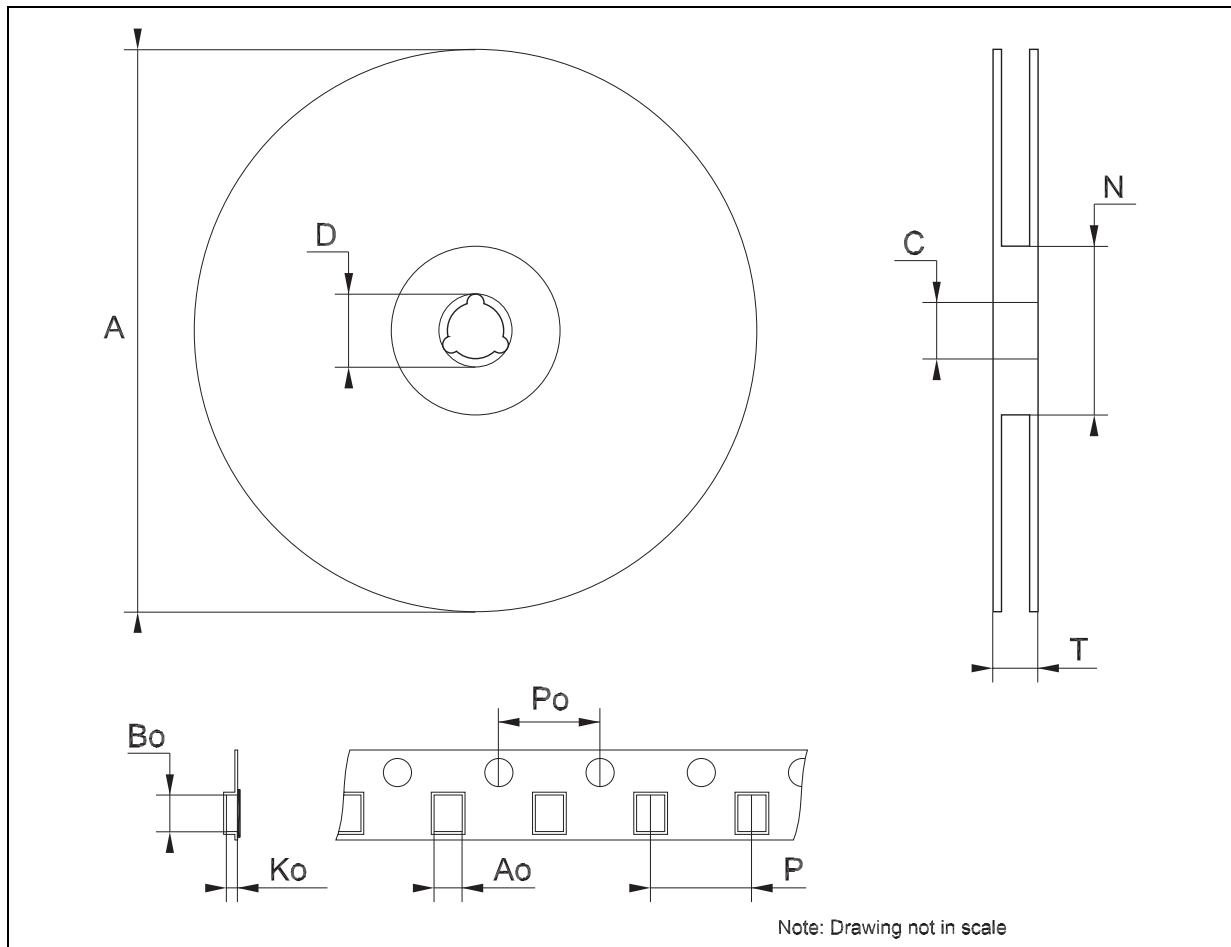
DIM.	mm.			inch		
	MIN.	TYP	MAX.	MIN.	TYP.	MAX.
A	2.2		2.4	0.086		0.094
A1	0.9		1.1	0.035		0.043
A2	0.03		0.23	0.001		0.009
B	0.4		0.6	0.015		0.023
B2	5.2		5.4	0.204		0.212
C	0.45		0.6	0.017		0.023
C2	0.48		0.6	0.019		0.023
D	6		6.2	0.236		0.244
E	6.4		6.6	0.252		0.260
G	4.9		5.25	0.193		0.206
G1	2.38		2.7	0.093		0.106
H	9.35		10.1	0.368		0.397
L2		0.8			0.031	
L4	0.6		1	0.023		0.039



L4987 SERIES

Tape & Reel DPAK-PPAK MECHANICAL DATA

DIM.	mm.			inch		
	MIN.	TYP	MAX.	MIN.	TYP.	MAX.
A			180			7.086
C	12.8	13.0	13.2	0.504	0.512	0.519
D	20.2			0.795		
N	60			2.362		
T			14.4			0.567
Ao	6.80	6.90	7.00	0.268	0.272	0.276
Bo	10.40	10.50	10.60	0.409	0.413	0.417
Ko	2.55	2.65	2.75	0.100	0.104	0.105
Po	3.9	4.0	4.1	0.153	0.157	0.161
P	7.9	8.0	8.1	0.311	0.315	0.319



Information furnished is believed to be accurate and reliable. However, STMicroelectronics assumes no responsibility for the consequences of use of such information nor for any infringement of patents or other rights of third parties which may result from its use. No license is granted by implication or otherwise under any patent or patent rights of STMicroelectronics. Specifications mentioned in this publication are subject to change without notice. This publication supersedes and replaces all information previously supplied. STMicroelectronics products are not authorized for use as critical components in life support devices or systems without express written approval of STMicroelectronics.

© The ST logo is a registered trademark of STMicroelectronics

© 2003 STMicroelectronics - Printed in Italy - All Rights Reserved
STMicroelectronics GROUP OF COMPANIES

Australia - Brazil - Canada - China - Finland - France - Germany - Hong Kong - India - Israel - Italy - Japan - Malaysia - Malta - Morocco
Singapore - Spain - Sweden - Switzerland - United Kingdom - United States.

© <http://www.st.com>