



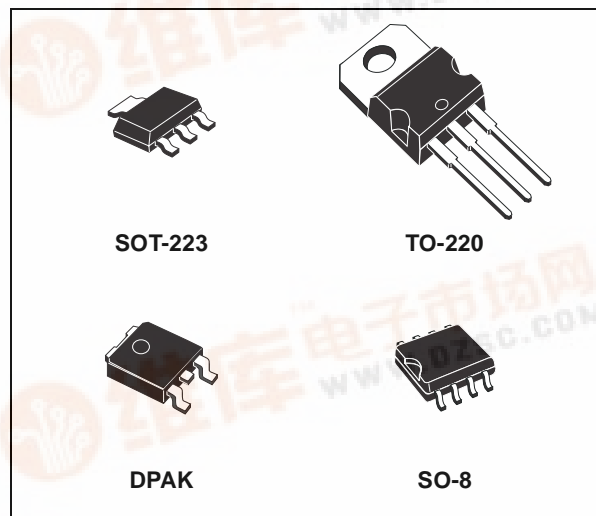
LD1117 SERIES

LOW DROP FIXED AND ADJUSTABLE POSITIVE VOLTAGE REGULATORS

- LOW DROPOUT VOLTAGE (1V TYP.)
- 2.85V DEVICE PERFORMANCES ARE SUITABLE FOR SCSI-2 ACTIVE TERMINATION
- OUTPUT CURRENT UP TO 800 mA
- FIXED OUTPUT VOLTAGE OF: 1.2V, 1.8V, 2.5V, 2.85V, 3.0V, 3.3V, 5.0V
- ADJUSTABLE VERSION AVAILABILITY ($V_{ref}=1.25V$)
- INTERNAL CURRENT AND THERMAL LIMIT
- AVAILABLE IN $\pm 1\%$ (AT 25°C) AND 2% IN FULL TEMPERATURE RANGE
- SUPPLY VOLTAGE REJECTION: 75dB (TYP.)

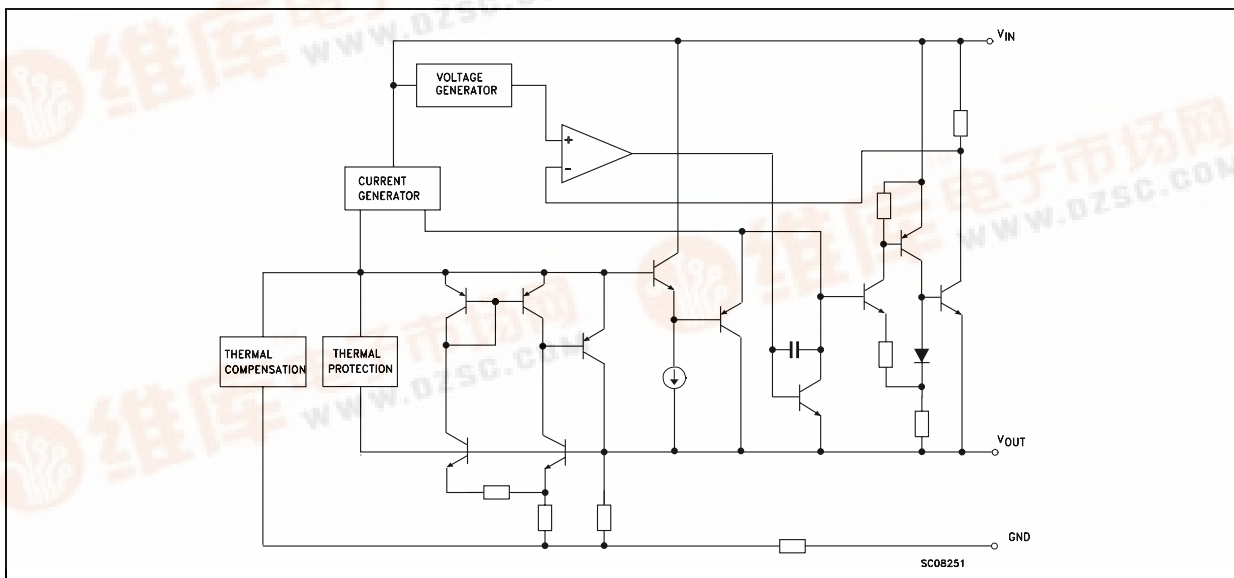
DESCRIPTION

The LD1117 is a LOW DROP Voltage Regulator able to provide up to 800mA of Output Current, available even in adjustable version ($V_{ref}=1.25V$). Concerning fixed versions, are offered the following Output Voltages: 1.2V, 1.8V, 2.5V, 2.85V, 3.0V, 3.3V and 5.0V. The 2.85V type is ideal for SCSI-2 lines active termination. The device is supplied in: SOT-223, DPAK, SO-8 and TO-220. The SOT-223 and DPAK surface mount packages optimize the thermal characteristics even offering a relevant space saving effect. High efficiency is assured by NPN pass transistor. In fact in this



case, unlike than PNP one, the Quiescent Current flows mostly into the load. Only a very common 10 μ F minimum capacitor is needed for stability. On chip trimming allows the regulator to reach a very tight output voltage tolerance, within $\pm 1\%$ at 25 °C. The ADJUSTABLE LD1117 is pin to pin compatible with the other standard. Adjustable voltage regulators maintaining the better performances in terms of Drop and Tolerance.

BLOCK DIAGRAM



LD1117 SERIES

ABSOLUTE MAXIMUM RATINGS

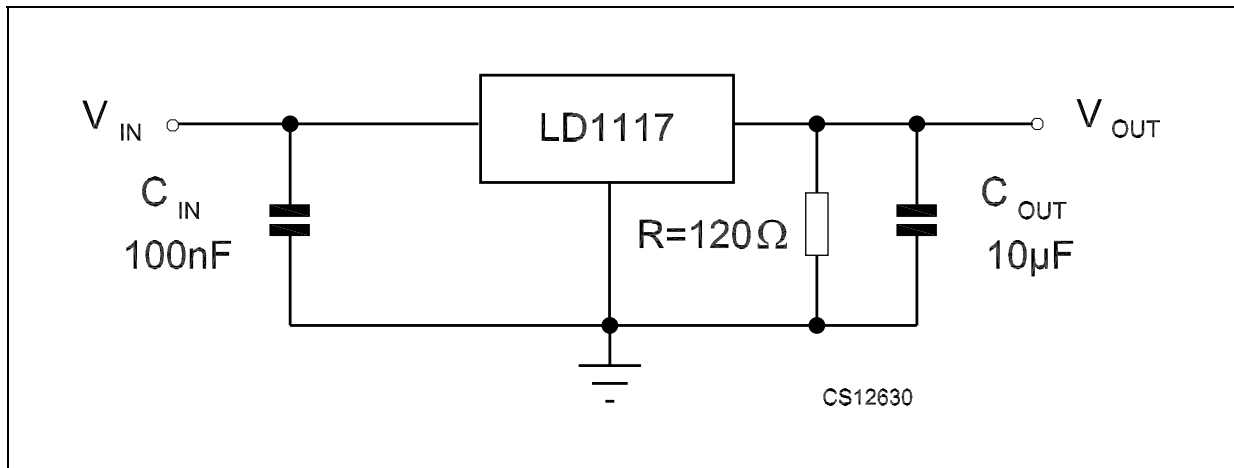
Symbol	Parameter ²	Value	Unit
V_{IN}	DC Input Voltage	15	V
P_{tot}	Power Dissipation	12	W
T_{stg}	Storage Temperature Range	-40 to +150	°C
T_{op}	Operating Junction Temperature Range	for C Version	-40 to +125
		for standard Version	0 to +125

Absolute Maximum Ratings are those values beyond which damage to the device may occur. Functional operation under these condition is not implied. Over the above suggested Max Power Dissipation a Short Circuit could definitively damage the device.

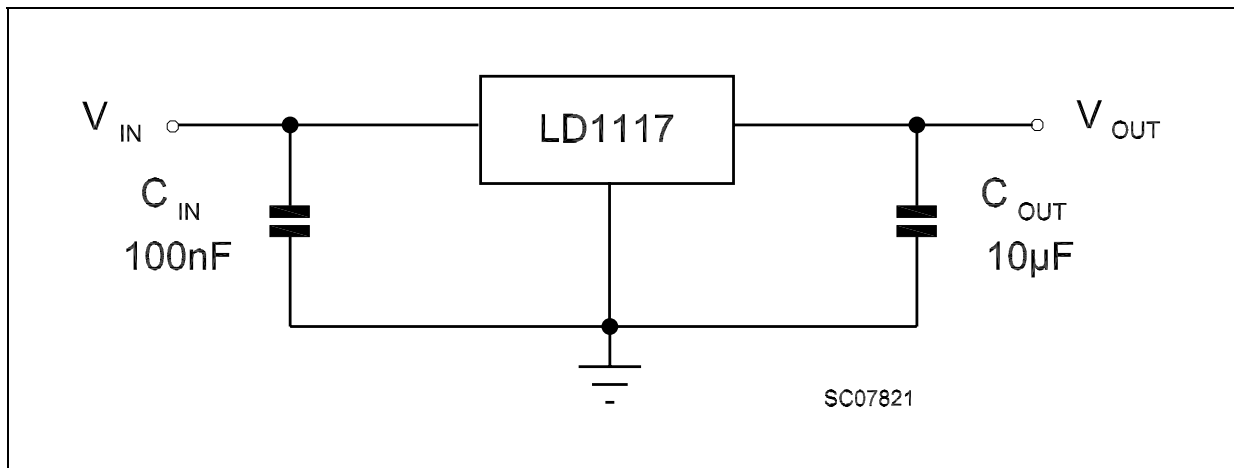
THERMAL DATA

Symbol	Parameter	SOT-223	SO-8	PAK	TO-220	Unit
$R_{thj-case}$	Thermal Resistance Junction-case	15	20	8	3	°C/W
$R_{thj-amb}$	Thermal Resistance Junction-ambient				50	°C/W

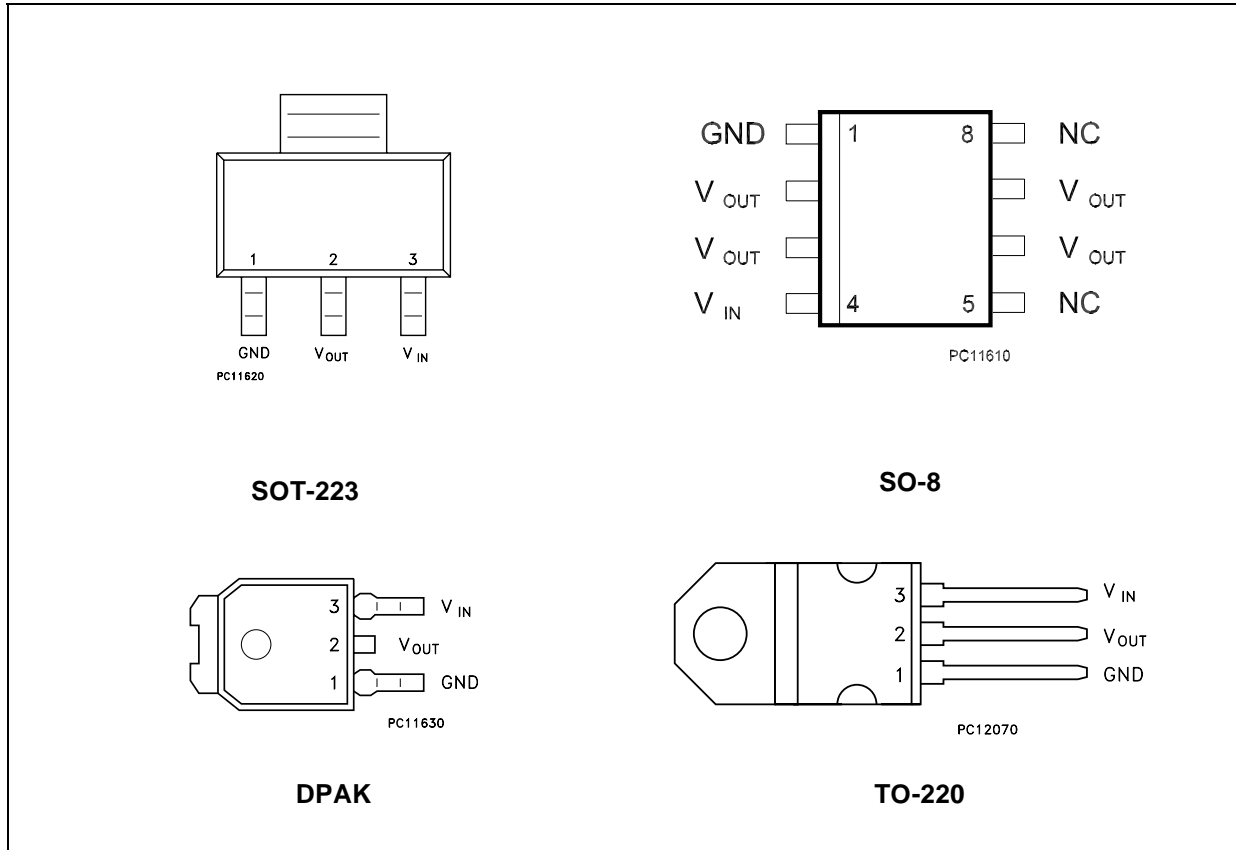
APPLICATION CIRCUIT (FOR 1.2 V)



APPLICATION CIRCUIT (FOR OTHER FIXED OUTPUT VOLTAGES)



CONNECTION DIAGRAM (top view)



NOTE: The TAB is connected to the V_{OUT}.

ORDERING CODES

SOT-223	SO-8	DPAK	TO-220	OUTPUT VOLTAGE
LD1117S12	LD1117D12 (*)	LD1117DT12	LD1117V12 (*)	1.2 V
LD1117S18	LD1117D18	LD1117DT18	LD1117V18	1.8 V
LD1117S18C	LD1117D18C	LD1117DT18C	LD1117V18C	1.8 V
LD1117S25	LD1117D25	LD1117DT25	LD1117V25	2.5 V
LD1117S25C	LD1117D25C	LD1117DT25C	LD1117V25C	2.5 V
LD1117S28	LD1117D28	LD1117DT28	LD1117V28	2.85 V
LD1117S30	LD1117D30	LD1117DT30	LD1117V30	3 V
LD1117S30C	LD1117D30C	LD1117DT30C	LD1117V30C	3 V
LD1117S33	LD1117D33	LD1117DT33	LD1117V33	3.3 V
LD1117S33C	LD1117D33C	LD1117DT33C	LD1117V33C	3.3 V
LD1117S50	LD1117D50	LD1117DT50	LD1117V50	5 V
LD1117S50C	LD1117D50C	LD1117DT50C	LD1117V50C	5 V
LD1117S	LD1117D	LD1117DT	LD1117V	ADJUSTABLE FROM 1.25 TO 15V
LD1117SC	LD1117DC	LD1117DTC	LD1117VC	ADJUSTABLE FROM 1.25 TO 15V

(*) Available on request

LD1117 SERIES

ELECTRICAL CHARACTERISTICS OF LD1117#12 (refer to the test circuits, $T_J = 0$ to 125°C , $C_O = 10\ \mu\text{F}$, $R = 120\ \Omega$ between GND and OUT pins, unless otherwise specified)

Symbol	Parameter	Test Conditions	Min.	Typ.	Max.	Unit
V_{ref}	Reference Voltage	$I_O = 10$ to $800\ \text{mA}$ $V_{\text{in}} - V_O = 1.4$ to $10\ \text{V}$	1.140	1.20	1.260	V
ΔV_O	Line Regulation	$V_{\text{in}} - V_O = 1.5$ to $13.75\ \text{V}$ $I_O = 10\ \text{mA}$		0.035	0.2	%
ΔV_O	Load Regulation	$V_{\text{in}} - V_O = 3\ \text{V}$ $I_O = 10$ to $800\ \text{mA}$		0.1	0.4	%
ΔV_O	Temperature Stability			0.5		%
ΔV_O	Long Term Stability	1000 hrs, $T_J = 125^\circ\text{C}$		0.3		%
V_{in}	Operating Input Voltage				15	V
I_{adj}	Adjustment Pin Current	$V_{\text{in}} \leq 15\ \text{V}$		60	120	μA
ΔI_{adj}	Adjustment Pin Current Change	$V_{\text{in}} - V_O = 1.4$ to $10\ \text{V}$ $I_O = 10$ to $800\ \text{mA}$		1	5	μA
$I_{O(\text{min})}$	Minimum Load Current	$V_{\text{in}} = 15\ \text{V}$		2	5	mA
I_O	Output Current	$V_{\text{in}} - V_O = 5\ \text{V}$ $T_J = 25^\circ\text{C}$	800	950	1300	mA
eN	Output Noise (% V_O)	$B = 10\text{Hz}$ to 10KHz $T_J = 25^\circ\text{C}$		0.003		%
SVR	Supply Voltage Rejection	$I_O = 40\ \text{mA}$ $f = 120\text{Hz}$ $T_J = 25^\circ\text{C}$ $V_{\text{in}} - V_O = 3\ \text{V}$ $V_{\text{ripple}} = 1\ \text{V}_{\text{PP}}$	60	75		dB
V_d	Dropout Voltage	$I_O = 100\ \text{mA}$		1	1.1	V
		$I_O = 500\ \text{mA}$		1.05	1.15	
		$I_O = 800\ \text{mA}$		1.10	1.2	
	Thermal Regulation	$T_a = 25^\circ\text{C}$ 30ms Pulse		0.01	0.1	%/W

ELECTRICAL CHARACTERISTICS OF LD1117#18 (refer to the test circuits, $T_J = 0$ to 125°C , $C_O = 10\ \mu\text{F}$ unless otherwise specified)

Symbol	Parameter	Test Conditions	Min.	Typ.	Max.	Unit
V_O	Output Voltage	$V_{\text{in}} = 3.8\ \text{V}$ $I_O = 10\ \text{mA}$ $T_J = 25^\circ\text{C}$	1.78	1.8	1.82	V
V_O	Output Voltage	$I_O = 0$ to $800\ \text{mA}$ $V_{\text{in}} = 3.3$ to $8\ \text{V}$	1.76		1.84	V
ΔV_O	Line Regulation	$V_{\text{in}} = 3.3$ to $8\ \text{V}$ $I_O = 0\ \text{mA}$		1	6	mV
ΔV_O	Load Regulation	$V_{\text{in}} = 3.3\ \text{V}$ $I_O = 0$ to $800\ \text{mA}$		1	10	mV
ΔV_O	Temperature Stability			0.5		%
ΔV_O	Long Term Stability	1000 hrs, $T_J = 125^\circ\text{C}$		0.3		%
V_{in}	Operating Input Voltage	$I_O = 100\ \text{mA}$			10	V
I_d	Quiescent Current	$V_{\text{in}} \leq 8\ \text{V}$		5	10	mA
I_O	Output Current	$V_{\text{in}} = 6.8\ \text{V}$ $T_J = 25^\circ\text{C}$	800	950	1300	mA
eN	Output Noise Voltage	$B = 10\text{Hz}$ to 10KHz $T_J = 25^\circ\text{C}$		100		μV
SVR	Supply Voltage Rejection	$I_O = 40\ \text{mA}$ $f = 120\text{Hz}$ $T_J = 25^\circ\text{C}$ $V_{\text{in}} = 5.5\ \text{V}$ $V_{\text{ripple}} = 1\ \text{V}_{\text{PP}}$	60	75		dB
V_d	Dropout Voltage	$I_O = 100\ \text{mA}$		1	1.1	V
		$I_O = 500\ \text{mA}$		1.05	1.15	
		$I_O = 800\ \text{mA}$		1.10	1.2	
	Thermal Regulation	$T_a = 25^\circ\text{C}$ 30ms Pulse		0.01	0.1	%/W

ELECTRICAL CHARACTERISTICS OF LD1117#25 (refer to the test circuits, $T_J = 0$ to 125°C , $C_O = 10 \mu\text{F}$ unless otherwise specified)

Symbol	Parameter	Test Conditions	Min.	Typ.	Max.	Unit
V_O	Output Voltage	$V_{in} = 4.5 \text{ V}$ $I_O = 10 \text{ mA}$ $T_J = 25^\circ\text{C}$	2.475	2.5	2.525	V
V_O	Output Voltage	$I_O = 0$ to 800 mA $V_{in} = 3.9$ to 10 V	2.45		2.55	V
ΔV_O	Line Regulation	$V_{in} = 3.9$ to 10 V $I_O = 0 \text{ mA}$		1	6	mV
ΔV_O	Load Regulation	$V_{in} = 3.9 \text{ V}$ $I_O = 0$ to 800 mA		1	10	mV
ΔV_O	Temperature Stability			0.5		%
ΔV_O	Long Term Stability	1000 hrs, $T_J = 125^\circ\text{C}$		0.3		%
V_{in}	Operating Input Voltage	$I_O = 100 \text{ mA}$			15	V
I_d	Quiescent Current	$V_{in} \leq 10 \text{ V}$		5	10	mA
I_O	Output Current	$V_{in} = 7.5 \text{ V}$ $T_J = 25^\circ\text{C}$	800	950	1300	mA
eN	Output Noise Voltage	$B = 10\text{Hz}$ to 10KHz $T_J = 25^\circ\text{C}$		100		μV
SVR	Supply Voltage Rejection	$I_O = 40 \text{ mA}$ $f = 120\text{Hz}$ $T_J = 25^\circ\text{C}$ $V_{in} = 5.5 \text{ V}$ $V_{\text{ripple}} = 1 \text{ V}_{PP}$	60	75		dB
V_d	Dropout Voltage	$I_O = 100 \text{ mA}$		1	1.1	V
		$I_O = 500 \text{ mA}$		1.05	1.15	
		$I_O = 800 \text{ mA}$		1.10	1.2	
	Thermal Regulation	$T_a = 25^\circ\text{C}$ 30ms Pulse		0.01	0.1	%/W

ELECTRICAL CHARACTERISTICS OF LD1117#28 (refer to the test circuits, $T_J = 0$ to 125°C , $C_O = 10 \mu\text{F}$ unless otherwise specified)

Symbol	Parameter	Test Conditions	Min.	Typ.	Max.	Unit
V_O	Output Voltage	$V_{in} = 4.85 \text{ V}$ $I_O = 10 \text{ mA}$ $T_J = 25^\circ\text{C}$	2.82	2.85	2.88	V
V_O	Output Voltage	$I_O = 0$ to 800 mA $V_{in} = 4.25$ to 10 V	2.79		2.91	V
ΔV_O	Line Regulation	$V_{in} = 4.25$ to 10 V $I_O = 0 \text{ mA}$		1	6	mV
ΔV_O	Load Regulation	$V_{in} = 4.25 \text{ V}$ $I_O = 0$ to 800 mA		1	10	mV
ΔV_O	Temperature Stability			0.5		%
ΔV_O	Long Term Stability	1000 hrs, $T_J = 125^\circ\text{C}$		0.3		%
V_{in}	Operating Input Voltage	$I_O = 100 \text{ mA}$			15	V
I_d	Quiescent Current	$V_{in} \leq 10 \text{ V}$		5	10	mA
I_O	Output Current	$V_{in} = 7.85 \text{ V}$ $T_J = 25^\circ\text{C}$	800	950	1300	mA
eN	Output Noise Voltage	$B = 10\text{Hz}$ to 10KHz $T_J = 25^\circ\text{C}$		100		μV
SVR	Supply Voltage Rejection	$I_O = 40 \text{ mA}$ $f = 120\text{Hz}$ $T_J = 25^\circ\text{C}$ $V_{in} = 5.85 \text{ V}$ $V_{\text{ripple}} = 1 \text{ V}_{PP}$	60	75		dB
V_d	Dropout Voltage	$I_O = 100 \text{ mA}$		1	1.1	V
		$I_O = 500 \text{ mA}$		1.05	1.15	
		$I_O = 800 \text{ mA}$		1.10	1.2	
	Thermal Regulation	$T_a = 25^\circ\text{C}$ 30ms Pulse		0.01	0.1	%/W

LD1117 SERIES

ELECTRICAL CHARACTERISTICS OF LD1117#30 (refer to the test circuits, $T_J = 0$ to 125°C , $C_O = 10 \mu\text{F}$ unless otherwise specified)

Symbol	Parameter	Test Conditions	Min.	Typ.	Max.	Unit
V_O	Output Voltage	$V_{in} = 5 \text{ V}$ $I_O = 10 \text{ mA}$ $T_J = 25^\circ\text{C}$	2.97	3	3.03	V
V_O	Output Voltage	$I_O = 0$ to 800 mA $V_{in} = 4.5$ to 10 V	2.94		3.06	V
ΔV_O	Line Regulation	$V_{in} = 4.5$ to 12 V $I_O = 0 \text{ mA}$		1	6	mV
ΔV_O	Load Regulation	$V_{in} = 4.5 \text{ V}$ $I_O = 0$ to 800 mA		1	10	mV
ΔV_O	Temperature Stability			0.5		%
ΔV_O	Long Term Stability	1000 hrs, $T_J = 125^\circ\text{C}$		0.3		%
V_{in}	Operating Input Voltage	$I_O = 100 \text{ mA}$			15	V
I_d	Quiescent Current	$V_{in} \leq 12 \text{ V}$		5	10	mA
I_O	Output Current	$V_{in} = 8 \text{ V}$ $T_J = 25^\circ\text{C}$	800	950	1300	mA
eN	Output Noise Voltage	$B = 10\text{Hz}$ to 10KHz $T_J = 25^\circ\text{C}$		100		μV
SVR	Supply Voltage Rejection	$I_O = 40 \text{ mA}$ $f = 120\text{Hz}$ $T_J = 25^\circ\text{C}$ $V_{in} = 6 \text{ V}$ $V_{ripple} = 1 \text{ V}_{PP}$	60	75		dB
V_d	Dropout Voltage	$I_O = 100 \text{ mA}$		1	1.1	V
		$I_O = 500 \text{ mA}$		1.05	1.15	
		$I_O = 800 \text{ mA}$		1.10	1.2	
	Thermal Regulation	$T_a = 25^\circ\text{C}$ 30ms Pulse		0.01	0.1	%/W

ELECTRICAL CHARACTERISTICS OF LD1117#33 (refer to the test circuits, $T_J = 0$ to 125°C , $C_O = 10 \mu\text{F}$ unless otherwise specified)

Symbol	Parameter	Test Conditions	Min.	Typ.	Max.	Unit
V_O	Output Voltage	$V_{in} = 5.3 \text{ V}$ $I_O = 10 \text{ mA}$ $T_J = 25^\circ\text{C}$	3.267	3.3	3.333	V
V_O	Output Voltage	$I_O = 0$ to 800 mA $V_{in} = 4.75$ to 10 V	3.235		3.365	V
ΔV_O	Line Regulation	$V_{in} = 4.75$ to 15 V $I_O = 0 \text{ mA}$		1	6	mV
ΔV_O	Load Regulation	$V_{in} = 4.75 \text{ V}$ $I_O = 0$ to 800 mA		1	10	mV
ΔV_O	Temperature Stability			0.5		%
ΔV_O	Long Term Stability	1000 hrs, $T_J = 125^\circ\text{C}$		0.3		%
V_{in}	Operating Input Voltage	$I_O = 100 \text{ mA}$			15	V
I_d	Quiescent Current	$V_{in} \leq 15 \text{ V}$		5	10	mA
I_O	Output Current	$V_{in} = 8.3 \text{ V}$ $T_J = 25^\circ\text{C}$	800	950	1300	mA
eN	Output Noise Voltage	$B = 10\text{Hz}$ to 10KHz $T_J = 25^\circ\text{C}$		100		μV
SVR	Supply Voltage Rejection	$I_O = 40 \text{ mA}$ $f = 120\text{Hz}$ $T_J = 25^\circ\text{C}$ $V_{in} = 6.3 \text{ V}$ $V_{ripple} = 1 \text{ V}_{PP}$	60	75		dB
V_d	Dropout Voltage	$I_O = 100 \text{ mA}$		1	1.1	V
		$I_O = 500 \text{ mA}$		1.05	1.15	
		$I_O = 800 \text{ mA}$		1.10	1.2	
	Thermal Regulation	$T_a = 25^\circ\text{C}$ 30ms Pulse		0.01	0.1	%/W

ELECTRICAL CHARACTERISTICS OF LD1117#50 (refer to the test circuits, $T_J = 0$ to 125°C , $C_O = 10 \mu\text{F}$ unless otherwise specified)

Symbol	Parameter	Test Conditions	Min.	Typ.	Max.	Unit
V_O	Output Voltage	$V_{in} = 7 \text{ V}$ $I_O = 10 \text{ mA}$ $T_J = 25^\circ\text{C}$	4.95	5	5.05	V
V_O	Output Voltage	$I_O = 0$ to 800 mA $V_{in} = 6.5$ to 15 V	4.9		5.1	V
ΔV_O	Line Regulation	$V_{in} = 6.5$ to 15 V $I_O = 0 \text{ mA}$		1	10	mV
ΔV_O	Load Regulation	$V_{in} = 6.5 \text{ V}$ $I_O = 0$ to 800 mA		1	15	mV
ΔV_O	Temperature Stability			0.5		%
ΔV_O	Long Term Stability	1000 hrs, $T_J = 125^\circ\text{C}$		0.3		%
V_{in}	Operating Input Voltage	$I_O = 100 \text{ mA}$			15	V
I_d	Quiescent Current	$V_{in} \leq 15 \text{ V}$		5	10	mA
I_O	Output Current	$V_{in} = 10 \text{ V}$ $T_J = 25^\circ\text{C}$	800	950	1300	mA
eN	Output Noise Voltage	$B = 10\text{Hz}$ to 10KHz $T_J = 25^\circ\text{C}$		100		μV
SVR	Supply Voltage Rejection	$I_O = 40 \text{ mA}$ $f = 120\text{Hz}$ $T_J = 25^\circ\text{C}$ $V_{in} = 8 \text{ V}$ $V_{\text{ripple}} = 1 \text{ V}_{PP}$	60	75		dB
V_d	Dropout Voltage	$I_O = 100 \text{ mA}$		1	1.1	V
		$I_O = 500 \text{ mA}$		1.05	1.15	
		$I_O = 800 \text{ mA}$		1.10	1.2	
	Thermal Regulation	$T_a = 25^\circ\text{C}$ 30ms Pulse		0.01	0.1	%/W

ELECTRICAL CHARACTERISTICS OF LD1117 (ADJUSTABLE) (refer to the test circuits, $T_J = 0$ to 125°C , $C_O = 10 \mu\text{F}$ unless otherwise specified)

Symbol	Parameter	Test Conditions	Min.	Typ.	Max.	Unit
V_{ref}	Reference Voltage	$V_{in} - V_O = 2 \text{ V}$ $I_O = 10 \text{ mA}$ $T_J = 25^\circ\text{C}$	1.238	1.25	1.262	V
V_{ref}	Reference Voltage	$I_O = 10$ to 800 mA $V_{in} - V_O = 1.4$ to 10 V	1.225		1.275	V
ΔV_O	Line Regulation	$V_{in} - V_O = 1.5$ to 13.75 V $I_O = 10 \text{ mA}$		0.035	0.2	%
ΔV_O	Load Regulation	$V_{in} - V_O = 3 \text{ V}$ $I_O = 10$ to 800 mA		0.1	0.4	%
ΔV_O	Temperature Stability			0.5		%
ΔV_O	Long Term Stability	1000 hrs, $T_J = 125^\circ\text{C}$		0.3		%
V_{in}	Operating Input Voltage				15	V
I_{adj}	Adjustment Pin Current	$V_{in} \leq 15 \text{ V}$		60	120	μA
ΔI_{adj}	Adjustment Pin Current Change	$V_{in} - V_O = 1.4$ to 10 V $I_O = 10$ to 800 mA		1	5	μA
$I_{O(min)}$	Minimum Load Current	$V_{in} = 15 \text{ V}$		2	5	mA
I_O	Output Current	$V_{in} - V_O = 5 \text{ V}$ $T_J = 25^\circ\text{C}$	800	950	1300	mA
eN	Output Noise (% V_O)	$B = 10\text{Hz}$ to 10KHz $T_J = 25^\circ\text{C}$		0.003		%
SVR	Supply Voltage Rejection	$I_O = 40 \text{ mA}$ $f = 120\text{Hz}$ $T_J = 25^\circ\text{C}$ $V_{in} - V_O = 3 \text{ V}$ $V_{\text{ripple}} = 1 \text{ V}_{PP}$	60	75		dB
V_d	Dropout Voltage	$I_O = 100 \text{ mA}$		1	1.1	V
		$I_O = 500 \text{ mA}$		1.05	1.15	
		$I_O = 800 \text{ mA}$		1.10	1.2	
	Thermal Regulation	$T_a = 25^\circ\text{C}$ 30ms Pulse		0.01	0.1	%/W

LD1117 SERIES

ELECTRICAL CHARACTERISTICS OF LD1117#18C (refer to the test circuits, $T_J = -40$ to 125°C , $C_O = 10\ \mu\text{F}$ unless otherwise specified)

Symbol	Parameter	Test Conditions	Min.	Typ.	Max.	Unit
V_O	Output Voltage	$V_{in} = 3.8\ \text{V}$ $I_O = 10\ \text{mA}$ $T_J = 25^\circ\text{C}$	1.76	1.8	1.84	V
V_O	Output Voltage	$I_O = 0$ to $800\ \text{mA}$ $V_{in} = 3.9$ to $10\ \text{V}$	1.73		1.87	V
ΔV_O	Line Regulation	$V_{in} = 3.3$ to $8\ \text{V}$ $I_O = 0\ \text{mA}$		1	30	mV
ΔV_O	Load Regulation	$V_{in} = 3.3\ \text{V}$ $I_O = 0$ to $800\ \text{mA}$		1	30	mV
ΔV_O	Temperature Stability			0.5		%
ΔV_O	Long Term Stability	1000 hrs, $T_J = 125^\circ\text{C}$		0.3		%
V_{in}	Operating Input Voltage	$I_O = 100\ \text{mA}$			10	V
I_d	Quiescent Current	$V_{in} \leq 8\ \text{V}$		5	10	mA
I_O	Output Current	$V_{in} = 6.8\ \text{V}$ $T_J = 25^\circ\text{C}$	800	950	1300	mA
eN	Output Noise Voltage	$B = 10\text{Hz}$ to 10KHz $T_J = 25^\circ\text{C}$		100		μV
SVR	Supply Voltage Rejection	$I_O = 40\ \text{mA}$ $f = 120\text{Hz}$ $T_J = 25^\circ\text{C}$ $V_{in} = 5.5\ \text{V}$ $V_{\text{ripple}} = 1\ \text{V}_{\text{PP}}$	60	75		dB
V_d	Dropout Voltage	$I_O = 100\ \text{mA}$ $T_J = 0$ to 125°C		1	1.1	V
		$I_O = 500\ \text{mA}$ $T_J = 0$ to 125°C		1.05	1.15	
		$I_O = 800\ \text{mA}$ $T_J = 0$ to 125°C		1.10	1.2	
V_d	Dropout Voltage	$I_O = 100\ \text{mA}$			1.1	V
		$I_O = 500\ \text{mA}$			1.2	
		$I_O = 800\ \text{mA}$			1.3	
	Thermal Regulation	$T_a = 25^\circ\text{C}$ 30ms Pulse		0.01	0.1	%/W

ELECTRICAL CHARACTERISTICS OF LD1117#25C (refer to the test circuits, $T_J = -40$ to 125°C , $C_O = 10\ \mu\text{F}$ unless otherwise specified)

Symbol	Parameter	Test Conditions	Min.	Typ.	Max.	Unit
V_O	Output Voltage	$V_{in} = 4.5\ \text{V}$ $I_O = 10\ \text{mA}$ $T_J = 25^\circ\text{C}$	2.45	2.5	2.55	V
V_O	Output Voltage	$I_O = 0$ to $800\ \text{mA}$ $V_{in} = 3.9$ to $10\ \text{V}$	2.4		2.6	V
ΔV_O	Line Regulation	$V_{in} = 3.9$ to $10\ \text{V}$ $I_O = 0\ \text{mA}$		1	30	mV
ΔV_O	Load Regulation	$V_{in} = 3.9\ \text{V}$ $I_O = 0$ to $800\ \text{mA}$		1	30	mV
ΔV_O	Temperature Stability			0.5		%
ΔV_O	Long Term Stability	1000 hrs, $T_J = 125^\circ\text{C}$		0.3		%
V_{in}	Operating Input Voltage	$I_O = 100\ \text{mA}$			15	V
I_d	Quiescent Current	$V_{in} \leq 10\ \text{V}$		5	10	mA
I_O	Output Current	$V_{in} = 7.5\ \text{V}$ $T_J = 25^\circ\text{C}$	800	950	1300	mA
eN	Output Noise Voltage	$B = 10\text{Hz}$ to 10KHz $T_J = 25^\circ\text{C}$		100		μV
SVR	Supply Voltage Rejection	$I_O = 40\ \text{mA}$ $f = 120\text{Hz}$ $T_J = 25^\circ\text{C}$ $V_{in} = 5.5\ \text{V}$ $V_{\text{ripple}} = 1\ \text{V}_{\text{PP}}$	60	75		dB
V_d	Dropout Voltage	$I_O = 100\ \text{mA}$ $T_J = 0$ to 125°C		1	1.1	V
		$I_O = 500\ \text{mA}$ $T_J = 0$ to 125°C		1.05	1.15	
		$I_O = 800\ \text{mA}$ $T_J = 0$ to 125°C		1.10	1.2	
V_d	Dropout Voltage	$I_O = 100\ \text{mA}$			1.1	V
		$I_O = 500\ \text{mA}$			1.2	
		$I_O = 800\ \text{mA}$			1.3	
	Thermal Regulation	$T_a = 25^\circ\text{C}$ 30ms Pulse		0.01	0.1	%/W

ELECTRICAL CHARACTERISTICS OF LD1117#30C (refer to the test circuits, $T_J = -40$ to 125°C , $C_O = 10 \mu\text{F}$ unless otherwise specified)

Symbol	Parameter	Test Conditions	Min.	Typ.	Max.	Unit
V_O	Output Voltage	$V_{in} = 5 \text{ V}$ $I_O = 10 \text{ mA}$ $T_J = 25^\circ\text{C}$	2.94	3	3.06	V
V_O	Output Voltage	$I_O = 0$ to 800 mA $V_{in} = 4.5$ to 10 V	2.88		3.12	V
ΔV_O	Line Regulation	$V_{in} = 4.5$ to 12 V $I_O = 0 \text{ mA}$		1	30	mV
ΔV_O	Load Regulation	$V_{in} = 4.5 \text{ V}$ $I_O = 0$ to 800 mA		1	30	mV
ΔV_O	Temperature Stability			0.5		%
ΔV_O	Long Term Stability	1000 hrs, $T_J = 125^\circ\text{C}$		0.3		%
V_{in}	Operating Input Voltage	$I_O = 100 \text{ mA}$			15	V
I_d	Quiescent Current	$V_{in} \leq 12 \text{ V}$		5	10	mA
I_O	Output Current	$V_{in} = 8 \text{ V}$ $T_J = 25^\circ\text{C}$	800	950	1300	mA
eN	Output Noise Voltage	$B = 10\text{Hz}$ to 10KHz $T_J = 25^\circ\text{C}$		100		μV
SVR	Supply Voltage Rejection	$I_O = 40 \text{ mA}$ $f = 120\text{Hz}$ $T_J = 25^\circ\text{C}$ $V_{in} = 6 \text{ V}$ $V_{\text{ripple}} = 1 \text{ V}_{PP}$	60	75		dB
V_d	Dropout Voltage	$I_O = 100 \text{ mA}$ $T_J = 0$ to 125°C		1	1.1	V
		$I_O = 500 \text{ mA}$ $T_J = 0$ to 125°C		1.05	1.15	
		$I_O = 800 \text{ mA}$ $T_J = 0$ to 125°C		1.10	1.2	
V_d	Dropout Voltage	$I_O = 100 \text{ mA}$			1.1	V
		$I_O = 500 \text{ mA}$			1.2	
		$I_O = 800 \text{ mA}$			1.3	
	Thermal Regulation	$T_a = 25^\circ\text{C}$ 30ms Pulse		0.01	0.1	%/W

ELECTRICAL CHARACTERISTICS OF LD1117#33C (refer to the test circuits, $T_J = -40$ to 125°C , $C_O = 10 \mu\text{F}$ unless otherwise specified)

Symbol	Parameter	Test Conditions	Min.	Typ.	Max.	Unit
V_O	Output Voltage	$V_{in} = 5.3 \text{ V}$ $I_O = 10 \text{ mA}$ $T_J = 25^\circ\text{C}$	3.24	3.3	3.36	V
V_O	Output Voltage	$I_O = 0$ to 800 mA $V_{in} = 4.75$ to 10 V	3.16		3.44	V
ΔV_O	Line Regulation	$V_{in} = 4.75$ to 15 V $I_O = 0 \text{ mA}$		1	30	mV
ΔV_O	Load Regulation	$V_{in} = 4.75 \text{ V}$ $I_O = 0$ to 800 mA		1	30	mV
ΔV_O	Temperature Stability			0.5		%
ΔV_O	Long Term Stability	1000 hrs, $T_J = 125^\circ\text{C}$		0.3		%
V_{in}	Operating Input Voltage	$I_O = 100 \text{ mA}$			15	V
I_d	Quiescent Current	$V_{in} \leq 15 \text{ V}$		5	10	mA
I_O	Output Current	$V_{in} = 8.3 \text{ V}$ $T_J = 25^\circ\text{C}$	800	950	1300	mA
eN	Output Noise Voltage	$B = 10\text{Hz}$ to 10KHz $T_J = 25^\circ\text{C}$		100		μV
SVR	Supply Voltage Rejection	$I_O = 40 \text{ mA}$ $f = 120\text{Hz}$ $T_J = 25^\circ\text{C}$ $V_{in} = 6.3 \text{ V}$ $V_{\text{ripple}} = 1 \text{ V}_{PP}$	60	75		dB
V_d	Dropout Voltage	$I_O = 100 \text{ mA}$ $T_J = 0$ to 125°C		1	1.1	V
		$I_O = 500 \text{ mA}$ $T_J = 0$ to 125°C		1.05	1.15	
		$I_O = 800 \text{ mA}$ $T_J = 0$ to 125°C		1.10	1.2	
V_d	Dropout Voltage	$I_O = 100 \text{ mA}$			1.1	V
		$I_O = 500 \text{ mA}$			1.2	
		$I_O = 800 \text{ mA}$			1.3	
	Thermal Regulation	$T_a = 25^\circ\text{C}$ 30ms Pulse		0.01	0.1	%/W

LD1117 SERIES

ELECTRICAL CHARACTERISTICS OF LD1117#50C (refer to the test circuits, $T_J = -40$ to 125°C , $C_O = 10\ \mu\text{F}$ unless otherwise specified)

Symbol	Parameter	Test Conditions	Min.	Typ.	Max.	Unit
V_O	Output Voltage	$V_{in} = 7\ \text{V}$ $I_O = 10\ \text{mA}$ $T_J = 25^\circ\text{C}$	4.9	5	5.1	V
V_O	Output Voltage	$I_O = 0$ to $800\ \text{mA}$ $V_{in} = 6.5$ to $15\ \text{V}$	4.8		5.2	V
ΔV_O	Line Regulation	$V_{in} = 6.5$ to $15\ \text{V}$ $I_O = 0\ \text{mA}$		1	50	mV
ΔV_O	Load Regulation	$V_{in} = 6.5\ \text{V}$ $I_O = 0$ to $800\ \text{mA}$		1	50	mV
ΔV_O	Temperature Stability			0.5		%
ΔV_O	Long Term Stability	1000 hrs, $T_J = 125^\circ\text{C}$		0.3		%
V_{in}	Operating Input Voltage	$I_O = 100\ \text{mA}$			15	V
I_d	Quiescent Current	$V_{in} \leq 15\ \text{V}$		5	10	mA
I_O	Output Current	$V_{in} = 10\ \text{V}$ $T_J = 25^\circ\text{C}$	800	950	1300	mA
eN	Output Noise Voltage	$B = 10\text{Hz}$ to 10KHz $T_J = 25^\circ\text{C}$		100		μV
SVR	Supply Voltage Rejection	$I_O = 40\ \text{mA}$ $f = 120\text{Hz}$ $T_J = 25^\circ\text{C}$ $V_{in} = 8\ \text{V}$ $V_{\text{ripple}} = 1\ \text{V}_{\text{PP}}$	60	75		dB
V_d	Dropout Voltage	$I_O = 100\ \text{mA}$ $T_J = 0$ to 125°C		1	1.1	V
		$I_O = 500\ \text{mA}$ $T_J = 0$ to 125°C		1.05	1.15	
		$I_O = 800\ \text{mA}$ $T_J = 0$ to 125°C		1.10	1.2	
V_d	Dropout Voltage	$I_O = 100\ \text{mA}$			1.1	V
		$I_O = 500\ \text{mA}$			1.2	
		$I_O = 800\ \text{mA}$			1.3	
	Thermal Regulation	$T_a = 25^\circ\text{C}$ 30ms Pulse		0.01	0.1	%/W

ELECTRICAL CHARACTERISTICS OF LD1117C (ADJUSTABLE) (refer to the test circuits,
 $T_J = -40$ to 125°C , $C_O = 10\ \mu\text{F}$ unless otherwise specified)

Symbol	Parameter	Test Conditions	Min.	Typ.	Max.	Unit
V_{ref}	Reference Voltage	$V_{\text{in}} - V_O = 2\ \text{V}$ $I_O = 10\ \text{mA}$ $T_J = 25^\circ\text{C}$	1.225	1.25	1.275	V
V_{ref}	Reference Voltage	$I_O = 10$ to $800\ \text{mA}$ $V_{\text{in}} - V_O = 1.4$ to $10\ \text{V}$	1.2		1.3	V
ΔV_O	Line Regulation	$V_{\text{in}} - V_O = 1.5$ to $13.75\ \text{V}$ $I_O = 10\ \text{mA}$			1	%
ΔV_O	Load Regulation	$V_{\text{in}} - V_O = 3\ \text{V}$ $I_O = 10$ to $800\ \text{mA}$			1	%
ΔV_O	Temperature Stability			0.5		%
ΔV_O	Long Term Stability	1000 hrs, $T_J = 125^\circ\text{C}$		0.3		%
V_{in}	Operating Input Voltage				15	V
I_{adj}	Adjustment Pin Current	$V_{\text{in}} \leq 15\ \text{V}$		60	120	μA
ΔI_{adj}	Adjustment Pin Current Change	$V_{\text{in}} - V_O = 1.4$ to $10\ \text{V}$ $I_O = 10$ to $800\ \text{mA}$		1	10	μA
$I_{O(\text{min})}$	Minimum Load Current	$V_{\text{in}} = 15\ \text{V}$		2	5	mA
I_O	Output Current	$V_{\text{in}} - V_O = 5\ \text{V}$ $T_J = 25^\circ\text{C}$	800	950	1300	mA
eN	Output Noise (% V_O)	$B = 10\text{Hz}$ to 10KHz $T_J = 25^\circ\text{C}$		0.003		%
SVR	Supply Voltage Rejection	$I_O = 40\ \text{mA}$ $f = 120\text{Hz}$ $T_J = 25^\circ\text{C}$ $V_{\text{in}} - V_O = 3\ \text{V}$ $V_{\text{ripple}} = 1\ \text{V}_{\text{PP}}$	60	75		dB
V_d	Dropout Voltage	$I_O = 100\ \text{mA}$ $T_J = 0$ to 125°C		1	1.1	V
		$I_O = 500\ \text{mA}$ $T_J = 0$ to 125°C		1.05	1.15	
		$I_O = 800\ \text{mA}$ $T_J = 0$ to 125°C		1.10	1.2	
V_d	Dropout Voltage	$I_O = 100\ \text{mA}$			1.1	V
		$I_O = 500\ \text{mA}$			1.2	
		$I_O = 800\ \text{mA}$			1.3	
	Thermal Regulation	$T_a = 25^\circ\text{C}$ 30ms Pulse		0.01	0.1	%/W

LD1117 SERIES

TYPICAL APPLICATIONS

Figure 1 : Negative Supply

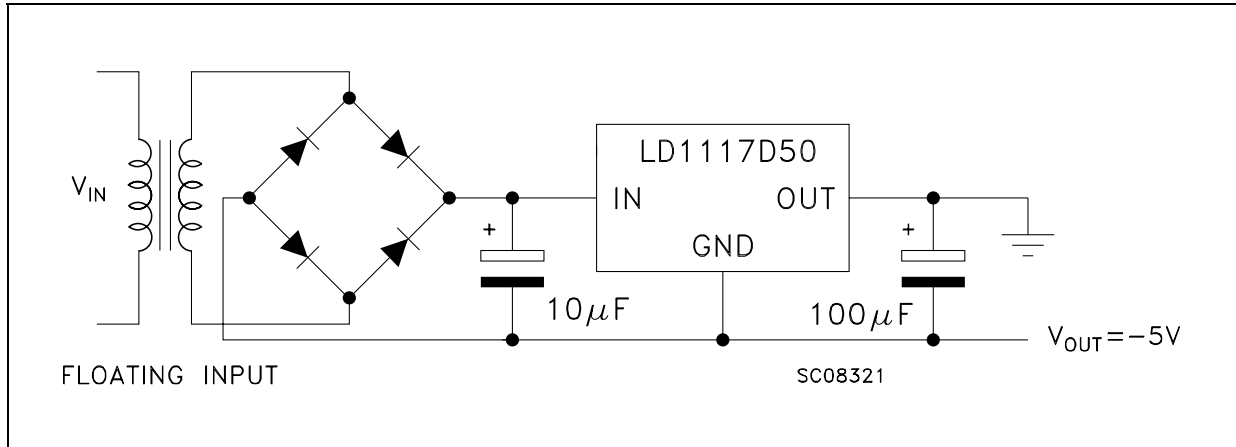


Figure 2 : Active Terminator for SCSI-2 BUS

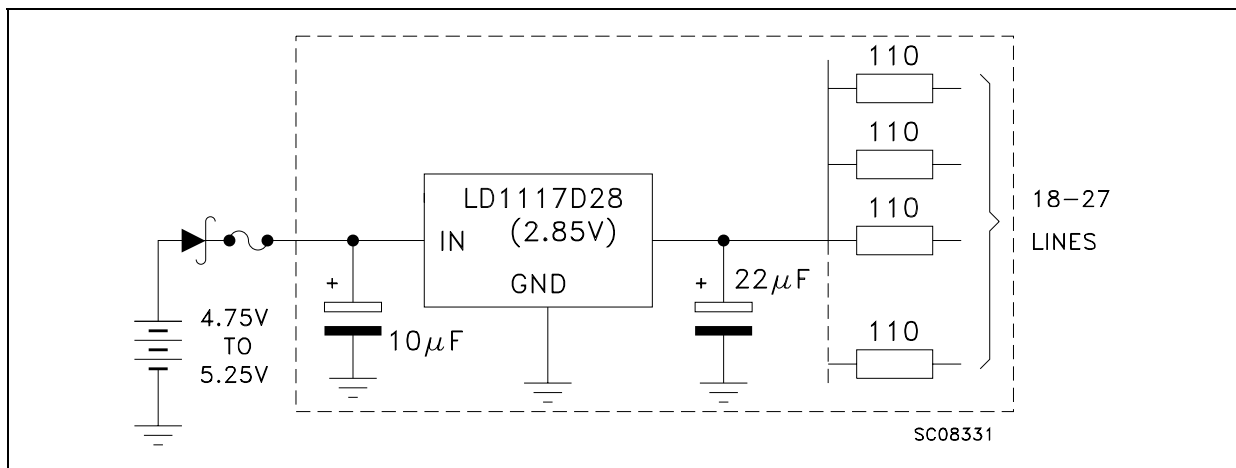


Figure 3 : Circuit for Increasing Output Voltage

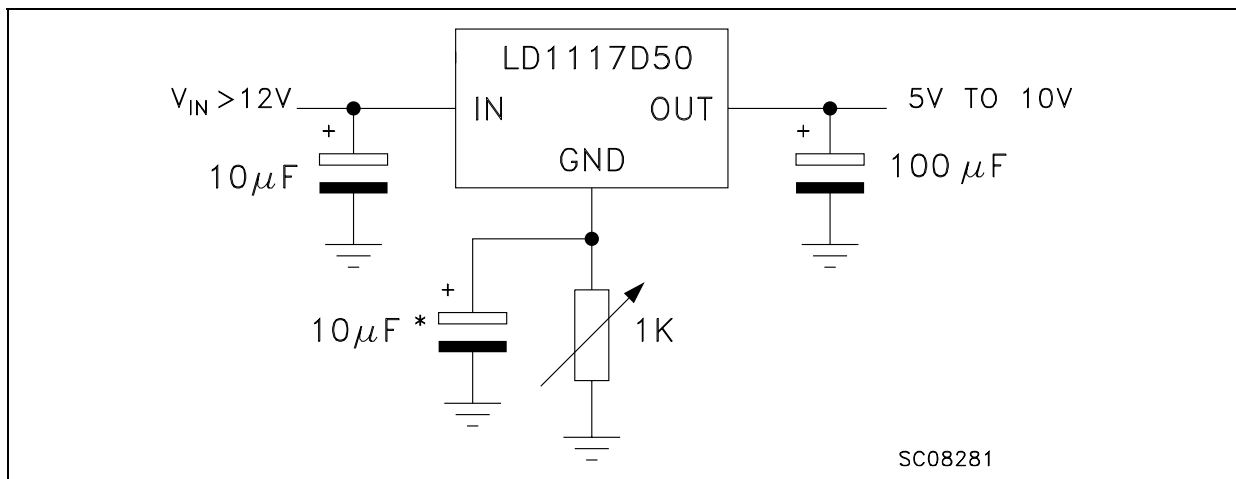


Figure 4 : Voltage Regulator With Reference

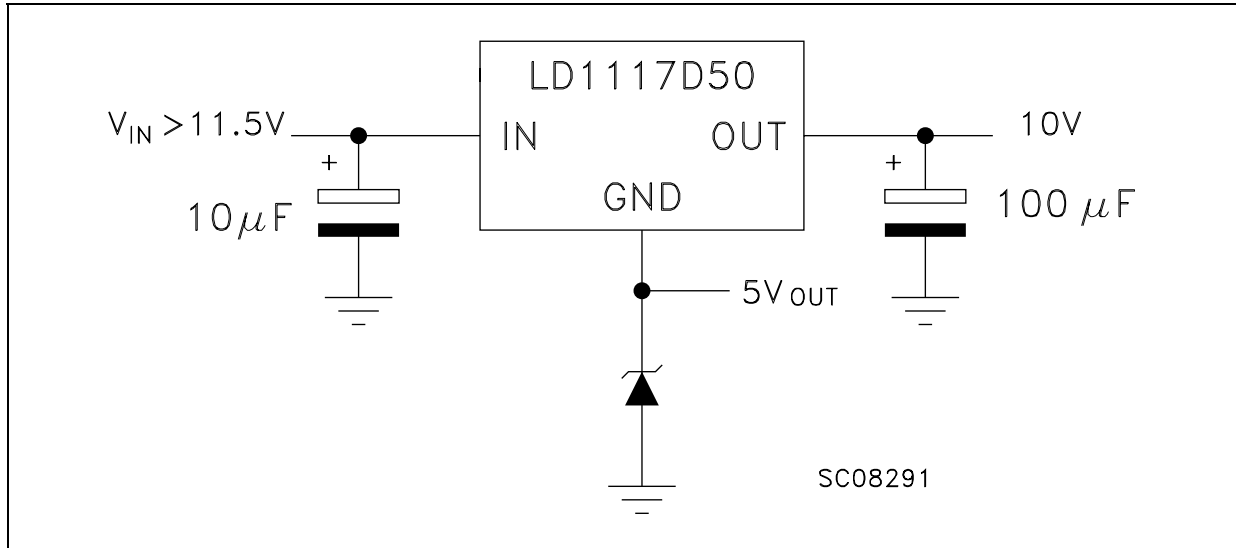
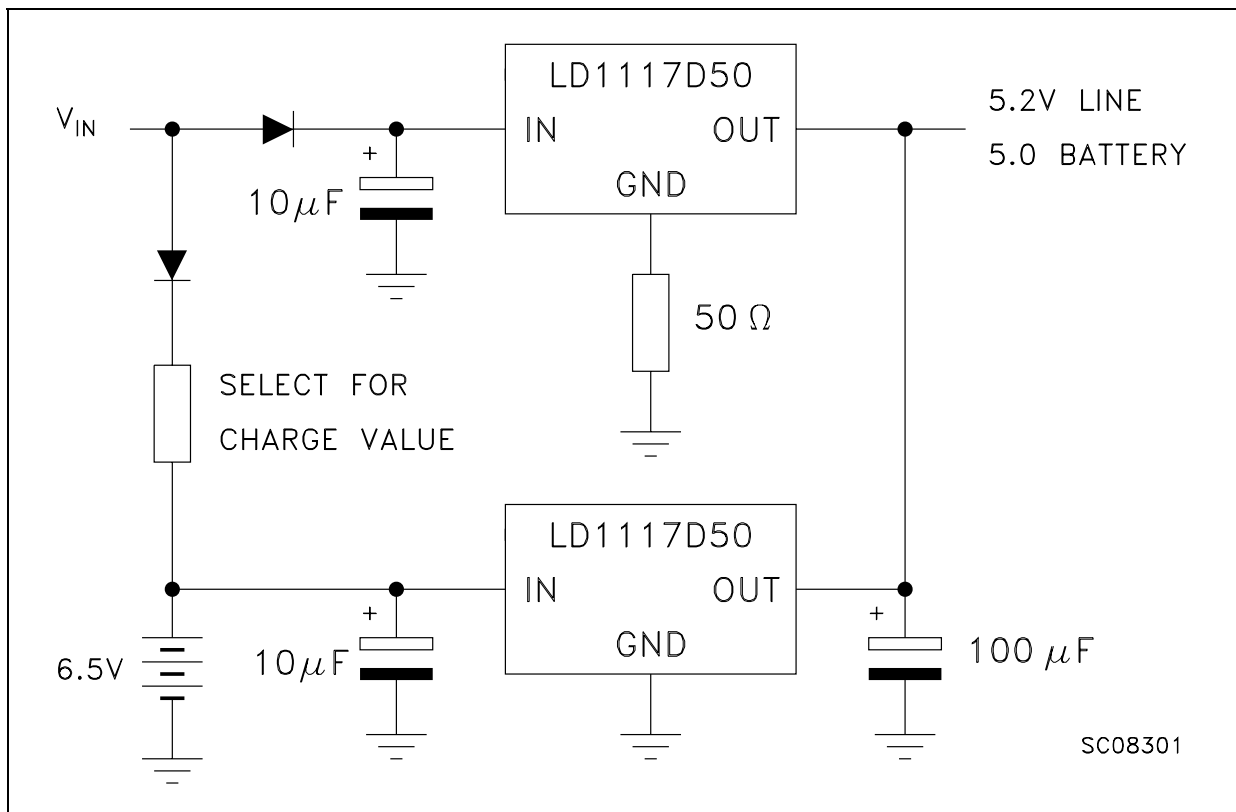
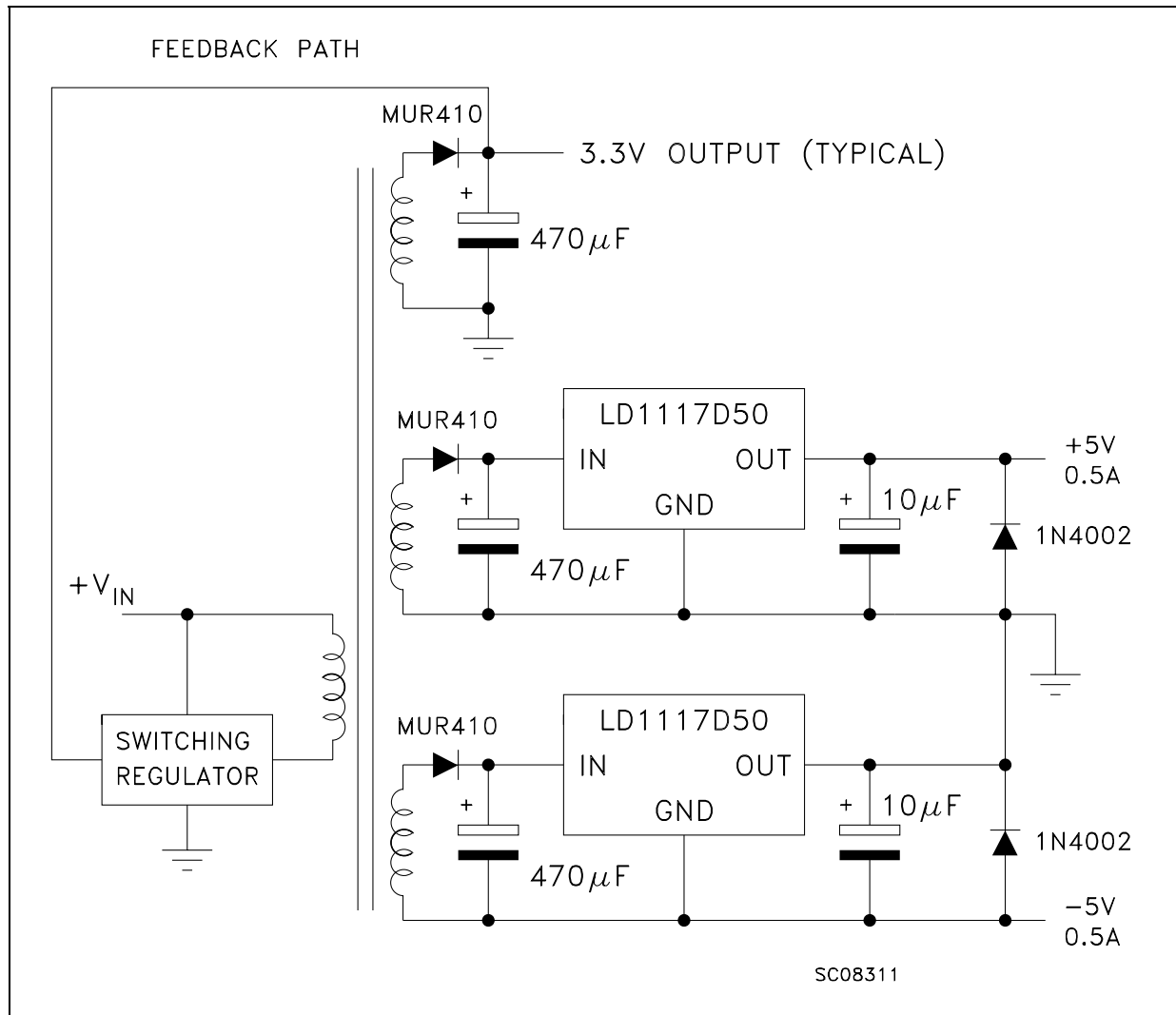


Figure 5 : Battery Backed-up Regulated Supply



LD1117 SERIES

Figure 6 : Post-Regulated Dual Supply



LD1117 ADJUSTABLE: APPLICATION NOTE

The LD1117 ADJUSTABLE has a thermal stabilized $1.25 \pm 0.012V$ reference voltage between the OUT and ADJ pins. I_{ADJ} is $60\mu A$ typ. ($120\mu A$ max.) and ΔI_{ADJ} is $1\mu A$ typ. ($5\mu A$ max.).

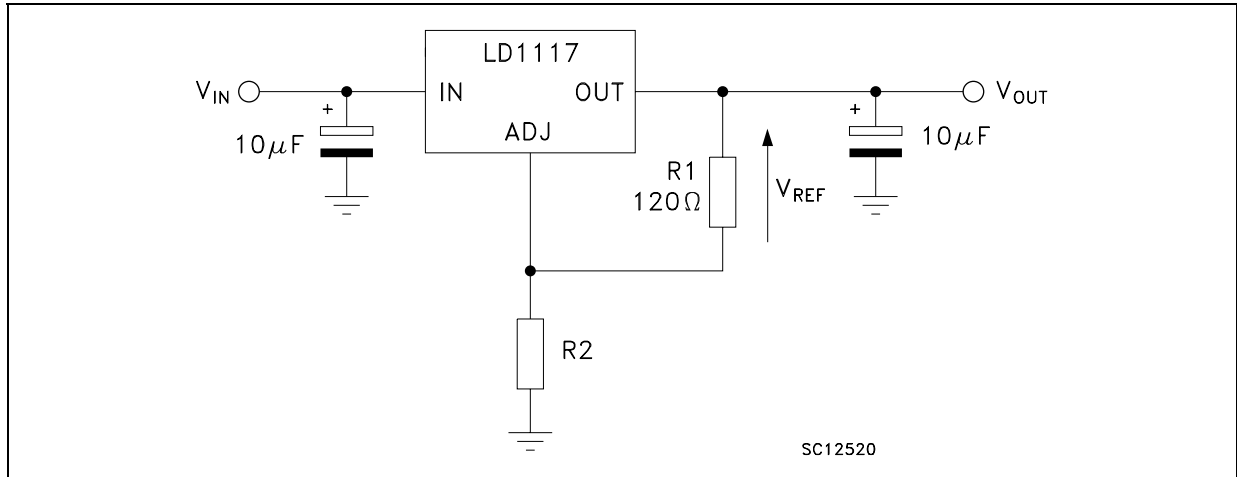
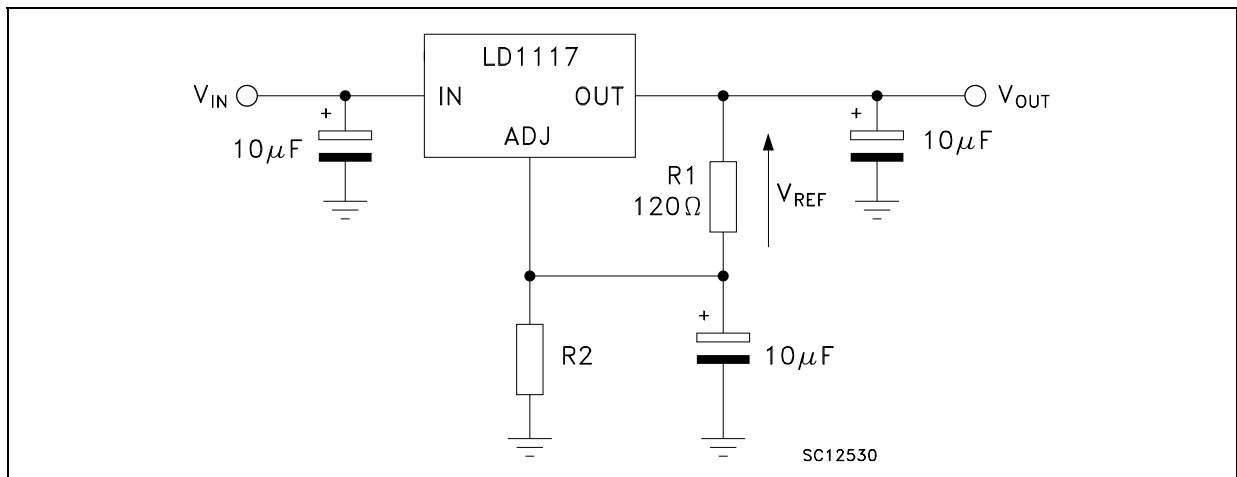
$R1$ is normally fixed to 120Ω . From figure 7 we obtain:

$$V_{OUT} = V_{REF} + R2 (I_{ADJ} + I_{R1}) = V_{REF} + R2 (I_{ADJ} + V_{REF} / R1) = V_{REF} (1 + R2 / R1) + R2 \times I_{ADJ}$$

In normal application $R2$ value is in the range of few Kohm, so the $R2 \times I_{DJ}$ product could not be considered in the V_{OUT} calculation; then the above expression becomes:

$$V_{OUT} = V_{REF} (1 + R2 / R1)$$

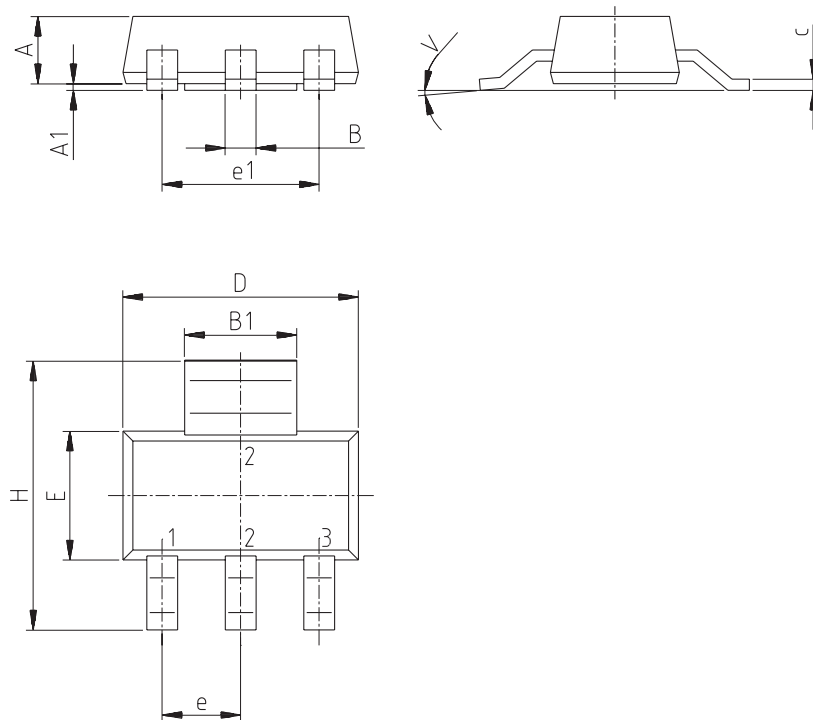
In order to have the better load regulation it is important to realize a good Kelvin connection of $R1$ and $R2$ resistors. In particular $R1$ connection must be realized very close to OUT and ADJ pin, while $R2$ ground connection must be placed as near as possible to the negative Load pin. Ripple rejection can be improved by introducing a $10\mu F$ electrolytic capacitor placed in parallel to the $R2$ resistor (see Fig.8).

Figure 7 : Adjustable Output Voltage Application**Figure 8** : Adjustable Output Voltage Application with improved Ripple Rejection

LD1117 SERIES

SOT-223 MECHANICAL DATA

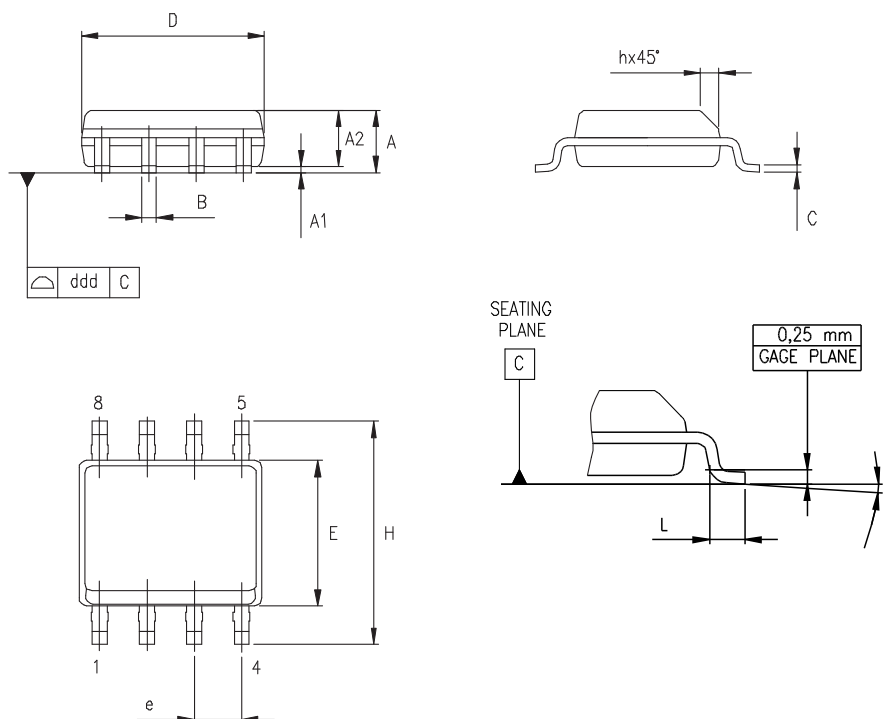
DIM.	mm.			mils		
	MIN.	TYP	MAX.	MIN.	TYP.	MAX.
A			1.8			70.9
A1	0.02		0.1	0.8		3.9
B	0.6	0.7	0.85	23.6	27.6	33.5
B1	2.9	3	3.15	114.2	118.1	124.0
c	0.24	0.26	0.35	9.4	10.2	13.8
D	6.3	6.5	6.7	248.0	255.9	263.8
e		2.3			90.6	
e1		4.6			181.1	
E	3.3	3.5	3.7	129.9	137.8	145.7
H	6.7	7	7.3	129.9	137.8	145.7
V			10°			10°



0046067/H

SO-8 MECHANICAL DATA

DIM.	mm.			inch		
	MIN.	TYP	MAX.	MIN.	TYP.	MAX.
A	1.35		1.75	0.053		0.069
A1	0.10		0.25	0.04		0.010
A2	1.10		1.65	0.043		0.065
B	0.33		0.51	0.013		0.020
C	0.19		0.25	0.007		0.010
D	4.80		5.00	0.189		0.197
E	3.80		4.00	0.150		0.157
e		1.27			0.050	
H	5.80		6.20	0.228		0.244
h	0.25		0.50	0.010		0.020
L	0.40		1.27	0.016		0.050
k	8° (max.)					
ddd			0.1			0.04

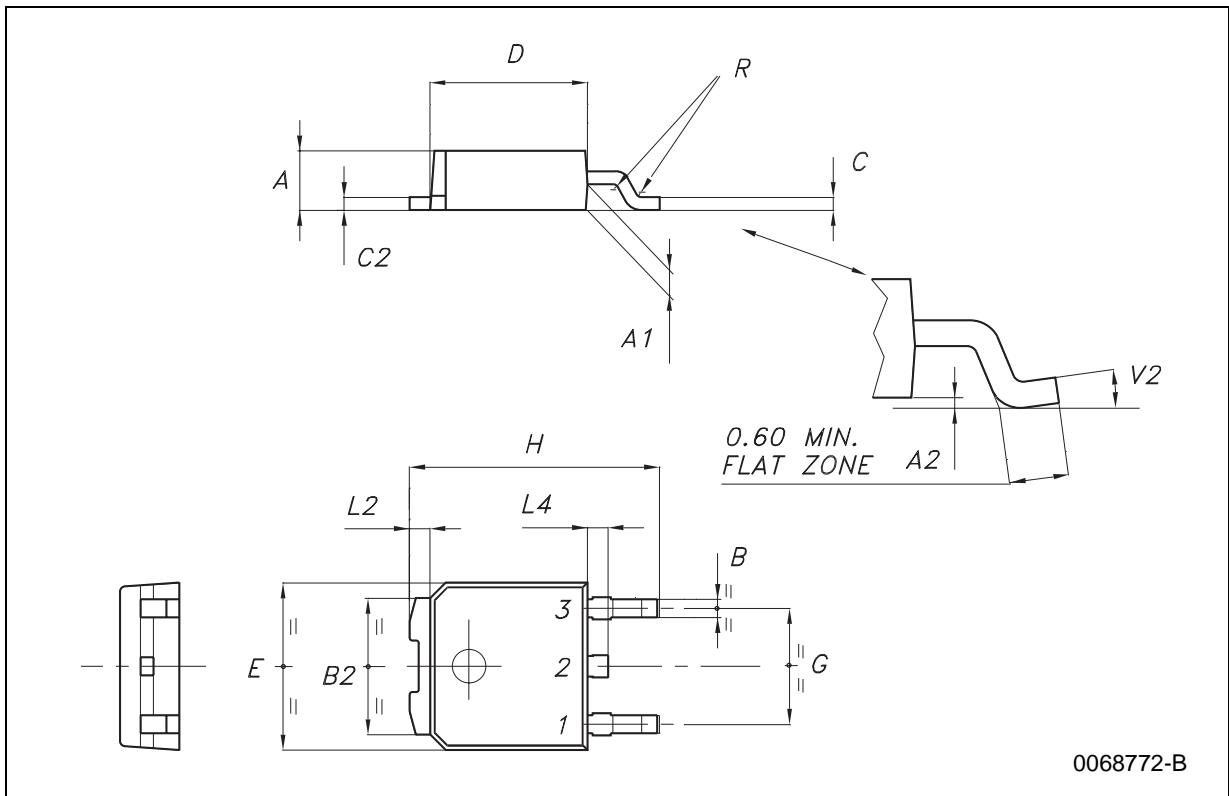


0016023/C

LD1117 SERIES

DPAK MECHANICAL DATA

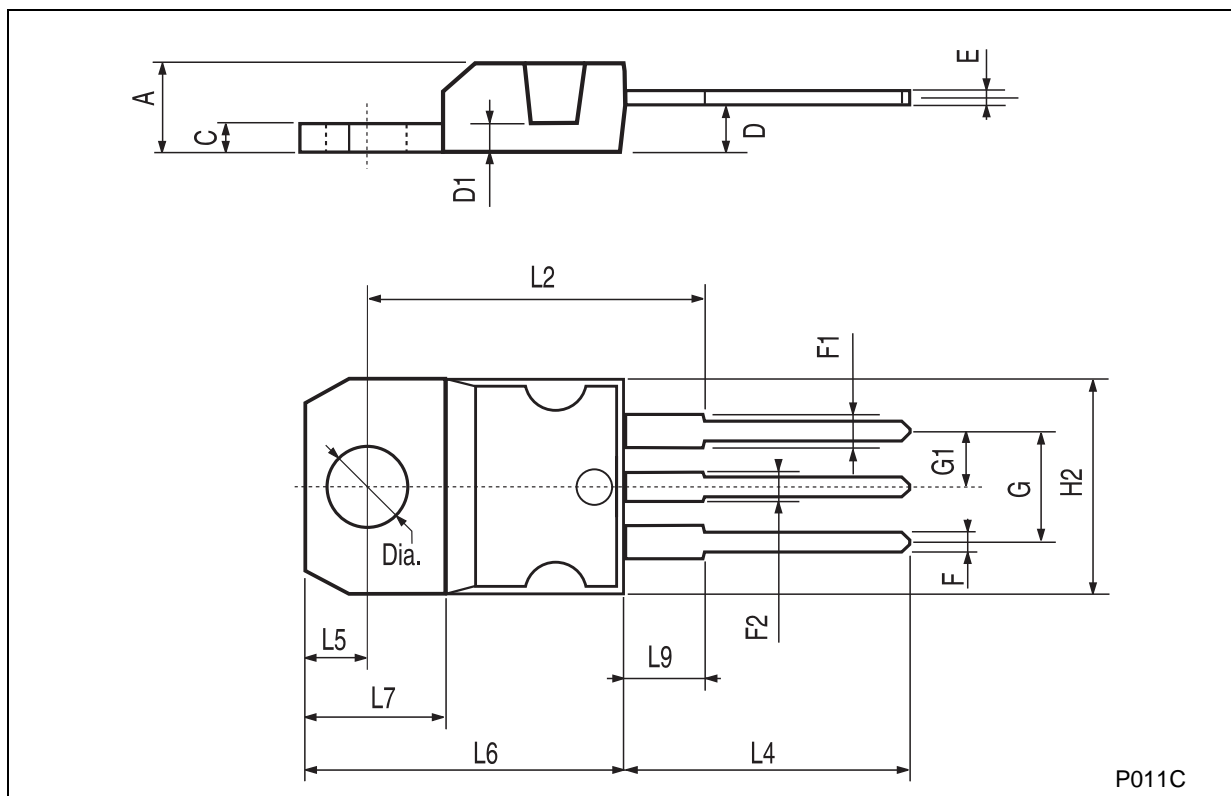
DIM.	mm.			inch		
	MIN.	TYP	MAX.	MIN.	TYP.	MAX.
A	2.2		2.4	0.086		0.094
A1	0.9		1.1	0.035		0.043
A2	0.03		0.23	0.001		0.009
B	0.64		0.9	0.025		0.035
B2	5.2		5.4	0.204		0.212
C	0.45		0.6	0.017		0.023
C2	0.48		0.6	0.019		0.023
D	6		6.2	0.236		0.244
E	6.4		6.6	0.252		0.260
G	4.4		4.6	0.173		0.181
H	9.35		10.1	0.368		0.397
L2		0.8			0.031	
L4	0.6		1	0.023		0.039



0068772-B

TO-220 MECHANICAL DATA

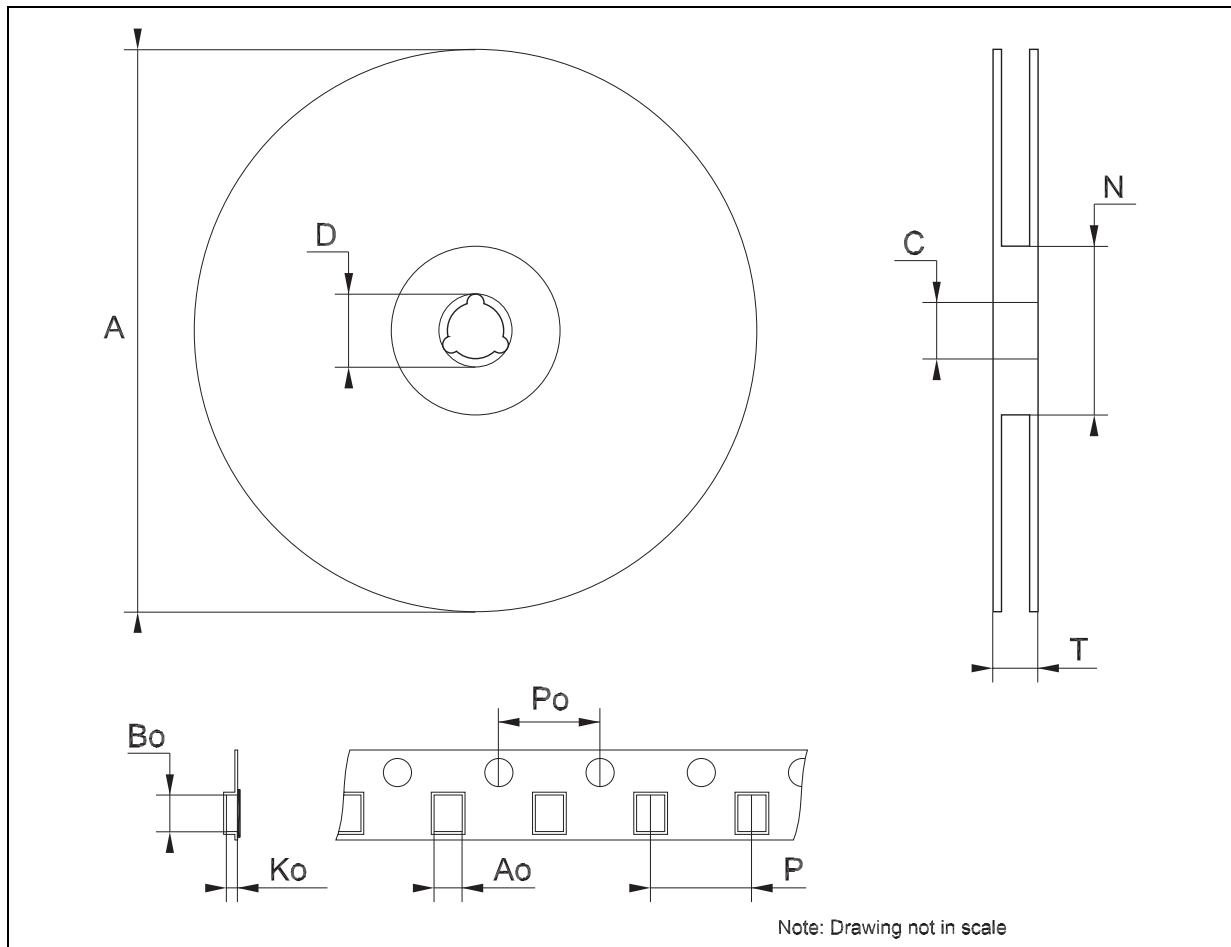
DIM.	mm.			inch		
	MIN.	TYP	MAX.	MIN.	TYP.	MAX.
A	4.40		4.60	0.173		0.181
C	1.23		1.32	0.048		0.051
D	2.40		2.72	0.094		0.107
D1		1.27			0.050	
E	0.49		0.70	0.019		0.027
F	0.61		0.88	0.024		0.034
F1	1.14		1.70	0.044		0.067
F2	1.14		1.70	0.044		0.067
G	4.95		5.15	0.194		0.203
G1	2.4		2.7	0.094		0.106
H2	10.0		10.40	0.393		0.409
L2		16.4			0.645	
L4	13.0		14.0	0.511		0.551
L5	2.65		2.95	0.104		0.116
L6	15.25		15.75	0.600		0.620
L7	6.2		6.6	0.244		0.260
L9	3.5		3.93	0.137		0.154
DIA.	3.75		3.85	0.147		0.151



LD1117 SERIES

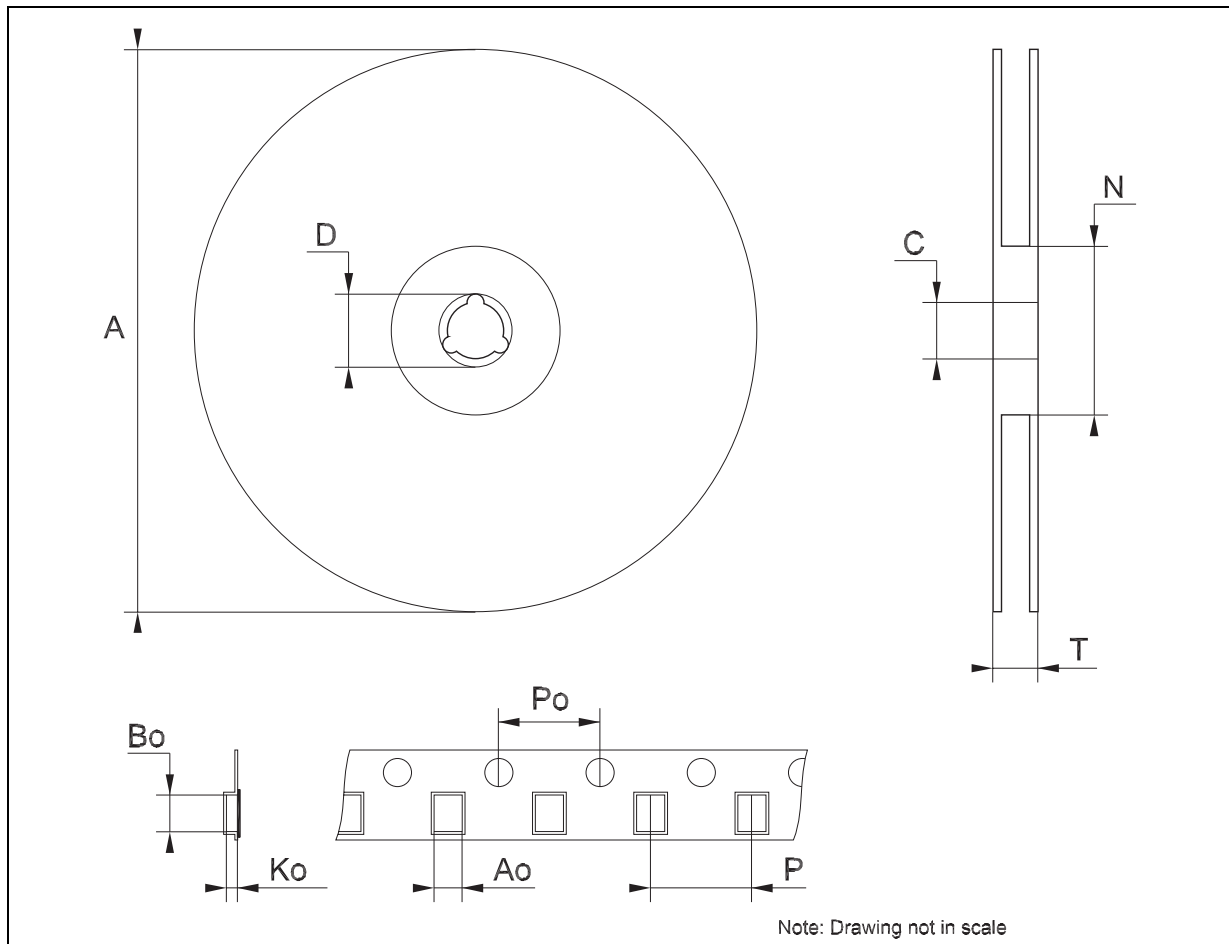
Tape & Reel SOT223 MECHANICAL DATA

DIM.	mm.			inch		
	MIN.	TYP	MAX.	MIN.	TYP.	MAX.
A			180			7.086
C	12.8	13.0	13.2	0.504	0.512	0.519
D	20.2			0.795		
N	60			2.362		
T			14.4			0.567
Ao	6.73	6.83	6.93	0.265	0.269	0.273
Bo	7.32	7.42	7.52	0.288	0.292	0.296
Ko	1.78		2	0.070		0.078
Po	3.9	4.0	4.1	0.153	0.157	0.161
P	7.9	8.0	8.1	0.311	0.315	0.319



Tape & Reel SO-8 MECHANICAL DATA

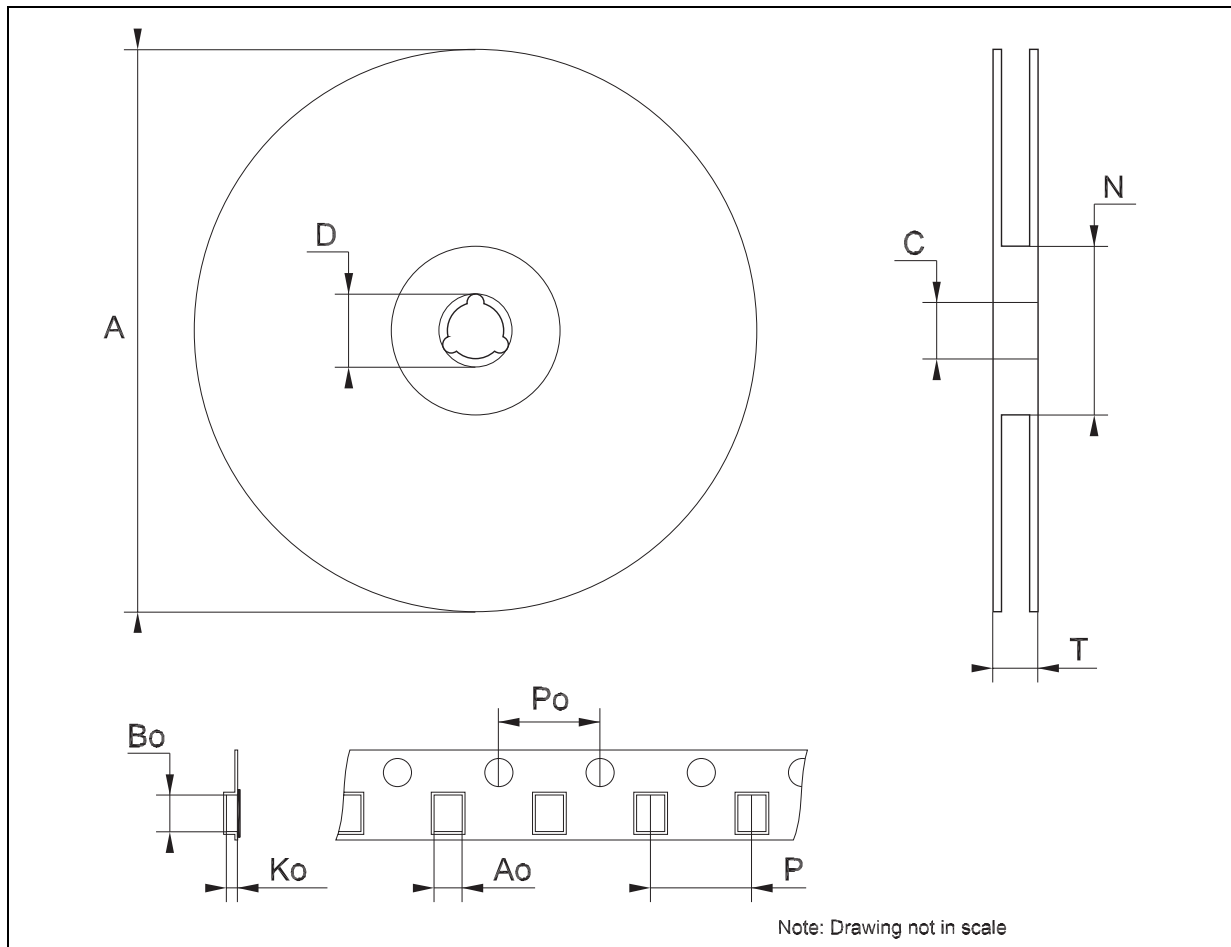
DIM.	mm.			inch		
	MIN.	TYP.	MAX.	MIN.	TYP.	MAX.
A			330			12.992
C	12.8		13.2	0.504		0.519
D	20.2			0.795		
N	60			2.362		
T			22.4			0.882
Ao	8.1		8.5	0.319		0.335
Bo	5.5		5.9	0.216		0.232
Ko	2.1		2.3	0.082		0.090
Po	3.9		4.1	0.153		0.161
P	7.9		8.1	0.311		0.319



LD1117 SERIES

Tape & Reel DPAK-PPAK MECHANICAL DATA

DIM.	mm.			inch		
	MIN.	TYP	MAX.	MIN.	TYP.	MAX.
A			180			7.086
C	12.8	13.0	13.2	0.504	0.512	0.519
D	20.2			0.795		
N	60			2.362		
T			14.4			0.567
Ao	6.80	6.90	7.00	0.268	0.272	0.276
Bo	10.40	10.50	10.60	0.409	0.413	0.417
Ko	2.55	2.65	2.75	0.100	0.104	0.105
Po	3.9	4.0	4.1	0.153	0.157	0.161
P	7.9	8.0	8.1	0.311	0.315	0.319



Information furnished is believed to be accurate and reliable. However, STMicroelectronics assumes no responsibility for the consequences of use of such information nor for any infringement of patents or other rights of third parties which may result from its use. No license is granted by implication or otherwise under any patent or patent rights of STMicroelectronics. Specifications mentioned in this publication are subject to change without notice. This publication supersedes and replaces all information previously supplied. STMicroelectronics products are not authorized for use as critical components in life support devices or systems without express written approval of STMicroelectronics.

© The ST logo is a registered trademark of STMicroelectronics

© 2003 STMicroelectronics - Printed in Italy - All Rights Reserved
STMicroelectronics GROUP OF COMPANIES

Australia - Brazil - Canada - China - Finland - France - Germany - Hong Kong - India - Israel - Italy - Japan - Malaysia - Malta - Morocco
Singapore - Spain - Sweden - Switzerland - United Kingdom - United States.

© <http://www.st.com>