

# THS4120, THS4121 HIGH-SPEED FULLY DIFFERENTIAL I/O AMPLIFIERS

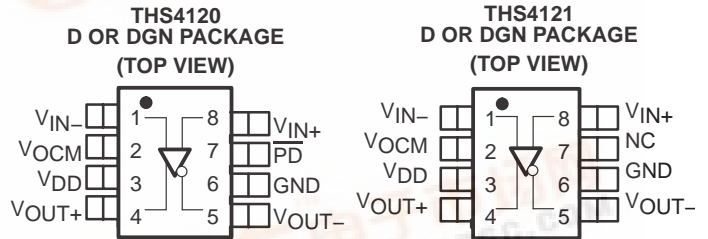
SLOS319B – FEBRUARY 2001 – REVISED DECEMBER 2001

## features

- **High Performance**
  - 100 MHz –3 dB Bandwidth
  - 50 V/μs Slew Rate
  - –75 dB Total Harmonic Distortion at 1 MHz ( $V_O = 2 V_{PP}$ )
  - 5.4 nV/√Hz Input-Referred Noise (10 kHz)
- **Differential Input/Differential Output**
  - Balanced Outputs Reject Common-Mode Noise
  - Differential Reduced Second Harmonic Distortion
- **Power Supply Range**
  - $V_{DD} = 3.3 V$

## key applications

- Simple Single-Ended To Differential Conversion
- Differential ADC Driver/Differential Antialiasing
- Differential Transmitter And Receiver
- Output Level Shifter



## description

The THS412x is one in a family of fully differential input/differential output devices fabricated using Texas Instruments' state-of-the-art submicron CMOS process.

The THS412x consists of a true fully differential signal path from input to output. This results in excellent common-mode noise rejection and improved total harmonic distortion.

## HIGH-SPEED DIFFERENTIAL I/O FAMILY

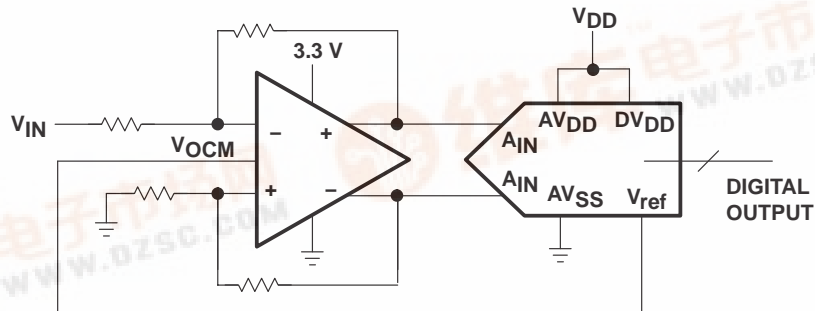
DEVICE	NUMBER OF CHANNELS	SHUTDOWN
THS4120	1	X
THS4121	1	–

## RELATED DEVICES

DEVICE†	DESCRIPTION	SINGLE SUPPLY VOLTAGE RANGE	SPLIT SUPPLY VOLTAGE RANGE
THS413x	150 MHz, 51 V/μs, 1.3 nV/√Hz	5 V to 30 V	±2.5 to ±15
THS414x	160 MHz, 450 V/μs, 6.5 nV/√Hz	5 V to 30 V	±2.5 to ±15
THS415x	150 MHz, 650 V/μs, 7.6 nV/√Hz	5 V to 30 V	±2.5 to ±15

† See the TI web site for additional high speed amplifier devices.

## typical A/D application circuit



Please be aware that an important notice concerning availability, standard warranty, and use in critical applications of Texas Instruments semiconductor products and disclaimers thereto appears at the end of this data sheet.



# THS4120, THS4121 HIGH-SPEED FULLY DIFFERENTIAL I/O AMPLIFIERS

SLOS319B – FEBRUARY 2001 – REVISED DECEMBER 2001

## AVAILABLE OPTIONS

T <sub>A</sub>	PACKAGED DEVICES		MSOP CODES	EVALUATION MODULES
	SMALL OUTLINE (D)	MSOP PowerPAD™ (DGN)		
0°C to 70°C	THS4120CD THS4121CD	THS4120CDGN THS4121CDGN	ARL ASB	THS4120EVM THS4121EVM
-40°C to 85°C	THS4120ID THS4121ID	THS4120IDGN THS4121IDGN	ARM ASC	– –

## absolute maximum ratings over operating free-air temperature range (unless otherwise noted)†

Supply voltage, GND to V <sub>DD</sub>	3.6 V
Input voltage, V <sub>I</sub>	±V <sub>DD</sub>
Output current (sink), I <sub>O</sub>	110 mA
Differential input voltage, V <sub>ID</sub>	±V <sub>DD</sub>
Continuous total power dissipation	See Dissipation Rating Table
Operating free-air temperature, T <sub>A</sub> : C suffix	0°C to 70°C
I suffix	-40°C to 85°C
Storage temperature, T <sub>stg</sub>	-65°C to 150°C
Lead temperature 1,6 mm (1/16 Inch) from case for 10 seconds	300°C

† Stresses beyond those listed under “absolute maximum ratings” may cause permanent damage to the device. These are stress ratings only, and functional operation of the device at these or any other conditions beyond those indicated under “recommended operating conditions” is not implied. Exposure to absolute-maximum-rated conditions for extended periods may affect device reliability.

## DISSIPATION RATING TABLE

PACKAGE	θ <sub>JA</sub> (°C/W)	θ <sub>JC</sub> (°C/W)	T <sub>A</sub> = 25°C POWER RATING
D	176‡	38.3	710 mW
DGN§	58.4	4.7	2.14 W

‡ This data was taken using the JEDEC standard Low-K test PCB. For the JEDEC Proposed High-K test PCB, the θ<sub>JA</sub> is 95°C/W with a power rating at T<sub>A</sub> = 25°C of 1.32 W.

§ This data was taken using 2 oz. trace and copper pad that is soldered directly to a 3 in. × 3 in. High-K test PCB.

## recommended operating conditions

		MIN	TYP	MAX	UNIT
Supply voltage, V <sub>DD</sub>	Split supply	±1.5	±1.65	±1.75	V
	Single supply	3	3.3	3.5	
Operating free-air temperature, T <sub>A</sub>	C suffix	0		70	°C
	I suffix	-40		85	

# THS4120, THS4121 HIGH-SPEED FULLY DIFFERENTIAL I/O AMPLIFIERS

SLOS319B – FEBRUARY 2001 – REVISED DECEMBER 2001

electrical characteristics,  $V_{DD} = 3.3\text{ V}$ ,  $R_L = 800\ \Omega$ ,  $T_A = 25^\circ\text{C}$  (unless otherwise noted)<sup>†</sup>

## dynamic performance

PARAMETER		TEST CONDITIONS		MIN	TYP	MAX	UNIT
BW	Small signal bandwidth (–3 dB)	$V_{DD} = 3.3\text{ V}$	Gain = 1, $R_f = 200\ \Omega$		100		MHz
SR	Slew rate (see Note 1)	$V_{DD} = 3.3\text{ V}$ ,	Gain = 1		55		V/ $\mu\text{s}$
$t_s$	Settling time to 0.1%	Differential step voltage = $2\text{ V}_{PP}$ ,	Gain = 1		60		ns
	Settling time to 0.01%				292		

<sup>†</sup> The full range temperature is  $0^\circ\text{C}$  to  $70^\circ\text{C}$  for the C suffix, and  $-40^\circ\text{C}$  to  $85^\circ\text{C}$  for the I suffix.

NOTE 1: Slew rate is measured differentially from an output level range of 25% to 75%.

## distortion performance

PARAMETER		TEST CONDITIONS		MIN	TYP	MAX	UNIT
THD	Total harmonic distortion Differential input, differential output Gain = 1, $R_f = 200\ \Omega$ , $R_L = 800\ \Omega$ , $V_O = 2\text{ V}_{PP}$	$V_{DD} = 3.3\text{ V}$	$f = 1\text{ MHz}$		–75		dB
	Total harmonic distortion Differential input, differential output Gain = 1, $R_f = 200\ \Omega$ , $R_L = 800\ \Omega$ , $V_O = 4\text{ V}_{PP}$				–66		
Spurious free dynamic range (SFDR) Differential input, differential output, $V_O = 4\text{ V}_{PP}$		$R_f = 200\ \Omega$	$f = 1\text{ MHz}$		–69		dB
Third intermodulation distortion		$V_I = 0.071\text{ V}_{RMS}$	Gain = 1, $f = 10\text{ MHz}$		–75		dBc

<sup>†</sup> The full range temperature is  $0^\circ\text{C}$  to  $70^\circ\text{C}$  for the C suffix, and  $-40^\circ\text{C}$  to  $85^\circ\text{C}$  for the I suffix.

## noise performance

PARAMETER		TEST CONDITIONS		MIN	TYP	MAX	UNIT
$V_n$	Input voltage noise	$f = 10\text{ kHz}$			5.4		$\text{nV}/\sqrt{\text{Hz}}$
$I_n$	Input current noise	$f = 10\text{ kHz}$			1		$\text{fA}/\sqrt{\text{Hz}}$

<sup>†</sup> The full range temperature is  $0^\circ\text{C}$  to  $70^\circ\text{C}$  for the C suffix, and  $-40^\circ\text{C}$  to  $85^\circ\text{C}$  for the I suffix.

## dc performance

PARAMETER		TEST CONDITIONS		MIN	TYP	MAX	UNIT
Open loop gain		$T_A = 25^\circ\text{C}$		60	66		dB
		$T_A = \text{full range}$			66		
$V_S$	Input offset voltage	$T_A = 25^\circ\text{C}$		3	8		mV
		$T_A = \text{full range}$		4	9		
	Input offset voltage, referred to $V_{OCM}$	$T_A = 25^\circ\text{C}$		5	13		
		$T_A = \text{full range}$			14		
Offset voltage drift		$T_A = \text{full range}$		25		$\mu\text{V}/^\circ\text{C}$	
$I_{IB}$	Input bias current	$T_A = \text{full range}$			1.2		pA
$I_{OS}$	Input offset current	$T_A = \text{full range}$			100		fA
Current offset drift		$T_A = \text{full range}$			5		$\text{fA}/^\circ\text{C}$

<sup>†</sup> The full range temperature is  $0^\circ\text{C}$  to  $70^\circ\text{C}$  for the C suffix, and  $-40^\circ\text{C}$  to  $85^\circ\text{C}$  for the I suffix.

# THS4120, THS4121

## HIGH-SPEED FULLY DIFFERENTIAL I/O AMPLIFIERS

SLOS319B – FEBRUARY 2001 – REVISED DECEMBER 2001

electrical characteristics,  $V_{DD} = 3.3\text{ V}$ ,  $R_L = 800\ \Omega$ ,  $T_A = 25^\circ\text{C}$  (unless otherwise noted) (continued)†

### input characteristics

PARAMETER	TEST CONDITIONS	MIN	TYP	MAX	UNIT
CMRR Common-mode rejection ratio	$T_A = \text{full range}$	64	96		dB
$V_{ICR}$ Common-mode input voltage range	$T_A = \text{full range}$	0.65 to $V_{DD} - 0.1$	0.35 to $V_{DD}$		V
$r_i$ Input resistance (dc level)	Measured into each input terminal		820		M $\Omega$
$C_i$ Input capacitance, closed loop			3		pF
$r_o$ Output resistance	See figure 16		1		$\Omega$

† The full range temperature is  $0^\circ\text{C}$  to  $70^\circ\text{C}$  for the C suffix, and  $-40^\circ\text{C}$  to  $85^\circ\text{C}$  for the I suffix.

### output characteristics

PARAMETER	TEST CONDITIONS	MIN	TYP	MAX	UNIT
$V_{OH}$ High-level output Voltage	$V_{IC} = V_{DD}/2$ , $V_{DD} = 3.3\text{ V}$ $T_A = 25^\circ\text{C}$	3.05	3.15		V
$V_{OL}$ Low-level output Voltage	$V_{IC} = V_{DD}/2$ , $V_{DD} = 3.3\text{ V}$ $T_A = 25^\circ\text{C}$	0.25	0.15		V
$I_O$ Output current (sink), $R_L = 7\ \Omega$	$V_{DD} = 3.3\text{ V}$ $T_A = 25^\circ\text{C}$	80	100		mA
$I_O$ Output current (source), $R_L = 7\ \Omega$	$V_{DD} = 3.3\text{ V}$ $T_A = 25^\circ\text{C}$	20	25		mA

† The full range temperature is  $0^\circ\text{C}$  to  $70^\circ\text{C}$  for the C suffix, and  $-40^\circ\text{C}$  to  $85^\circ\text{C}$  for the I suffix.

### power supply

PARAMETER	TEST CONDITIONS	MIN	TYP	MAX	UNIT
$V_{DD}$ Supply voltage range	Single supply		3.3		V
$I_{DD}$ Quiescent current (per amplifier)	$V_{DD} = 3.3\text{ V}$ $T_A = 25^\circ\text{C}$		11	13.5	mA
	$T_A = \text{full range}$			16	
$I_{DD(SD)}$ Quiescent current (shutdown) (THS4120)	$T_A = 25^\circ\text{C}$		120		$\mu\text{A}$
	$T_A = \text{full range}$		130		
PSRR Power supply rejection ratio	$T_A = 25^\circ\text{C}$	68	85		dB

† The full range temperature is  $0^\circ\text{C}$  to  $70^\circ\text{C}$  for the C suffix, and  $-40^\circ\text{C}$  to  $85^\circ\text{C}$  for the I suffix.

# THS4120, THS4121 HIGH-SPEED FULLY DIFFERENTIAL I/O AMPLIFIERS

SLOS319B – FEBRUARY 2001 – REVISED DECEMBER 2001

## TYPICAL CHARACTERISTICS

### Table of Graphs

		FIGURE	
	Small signal frequency response	1	
SR	Slew rate	2	
THD	Total harmonic distortion	vs Frequency	3
		vs Output voltage	4
	Harmonic distortion	vs Frequency	5, 6, 7
		vs Output voltage	8, 9
	Third intermodulation distortion	10	
$V_O$	Output voltage	vs Load resistance	11
	Settling time		12
$V_n$	Voltage noise	vs Frequency	13
$V_{OO}$	Output offset voltage	vs Common-mode input voltage	14
CMMR	Common-mode rejection ratio	vs Frequency	15
$z_{os}$	Single-ended output impedance (closed loop)	vs Frequency	16
$z_o$	Single-ended ( $V_{OCM}$ ) input impedance	vs Frequency	17

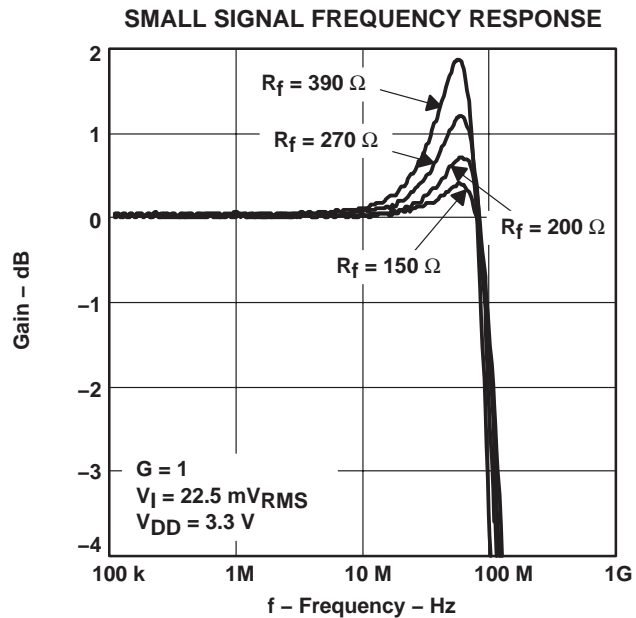


Figure 1

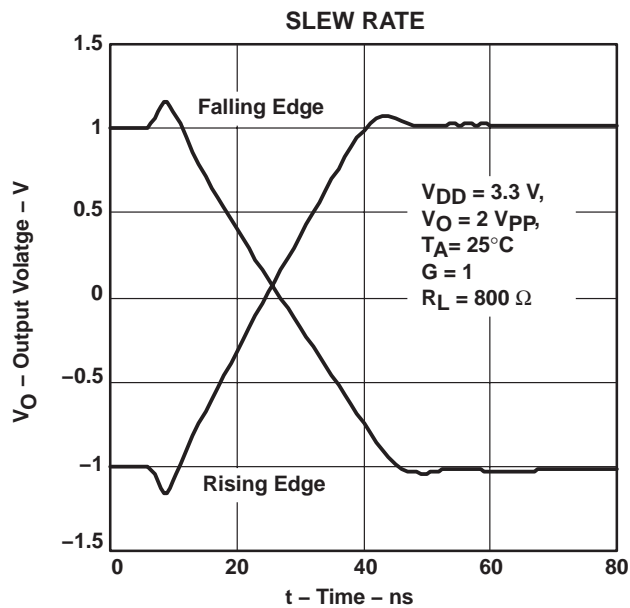


Figure 2

# THS4120, THS4121 HIGH-SPEED FULLY DIFFERENTIAL I/O AMPLIFIERS

SLOS319B – FEBRUARY 2001 – REVISED DECEMBER 2001

## TYPICAL CHARACTERISTICS

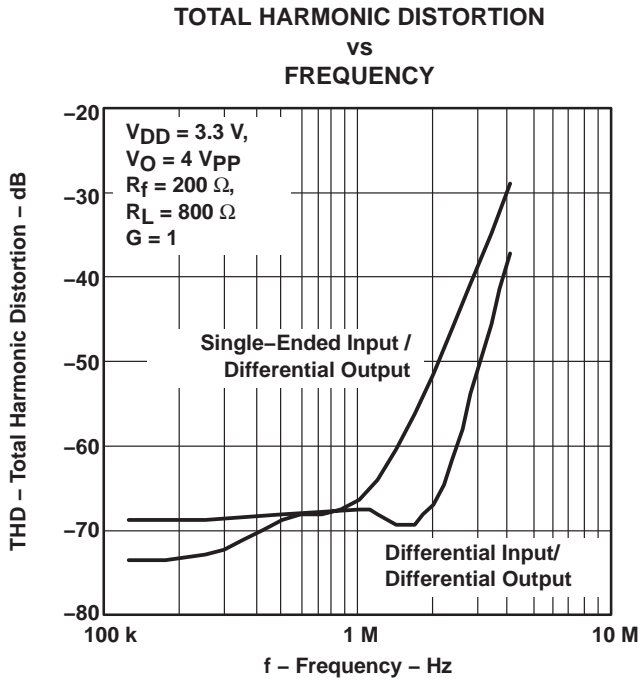


Figure 3

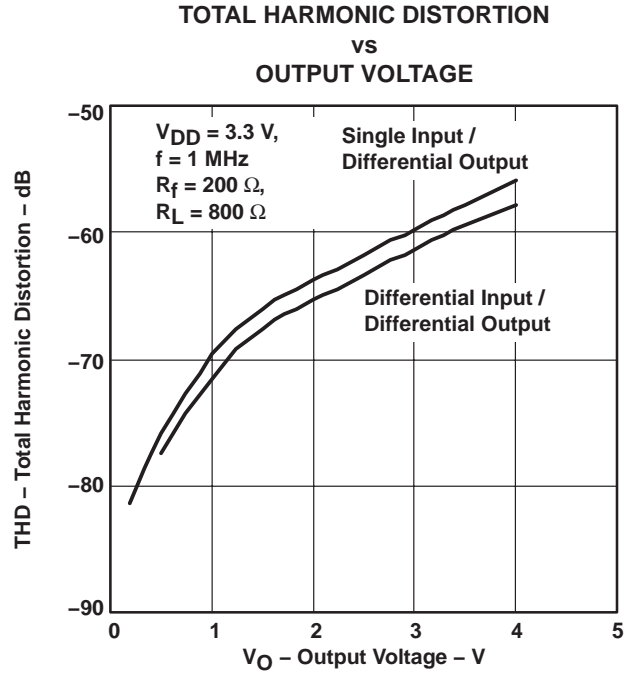


Figure 4

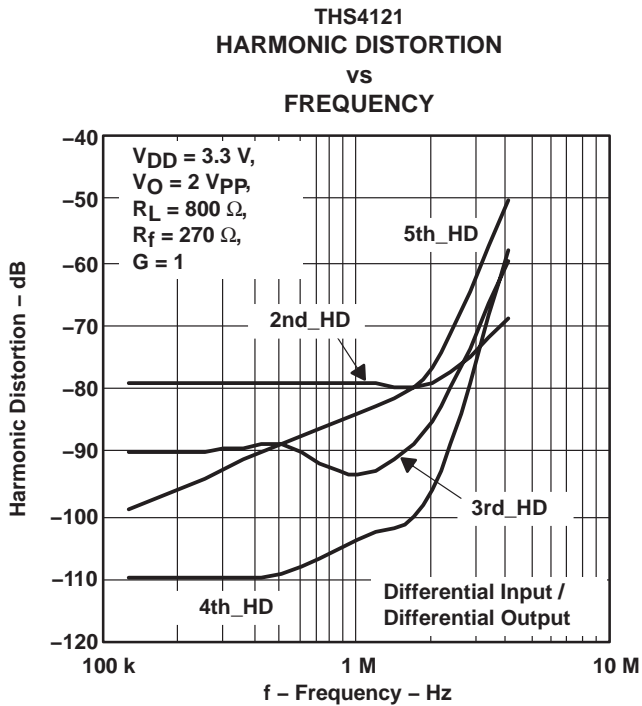


Figure 5

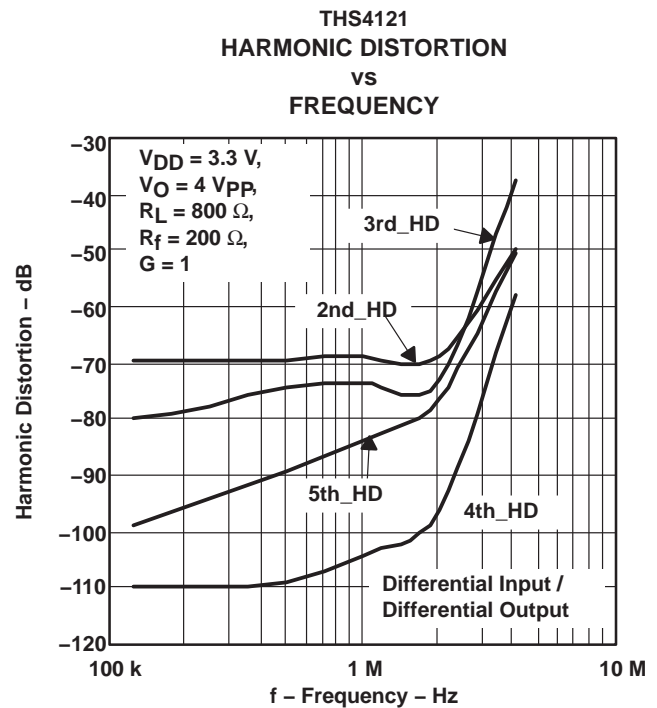


Figure 6

# THS4120, THS4121 HIGH-SPEED FULLY DIFFERENTIAL I/O AMPLIFIERS

SLOS319B – FEBRUARY 2001 – REVISED DECEMBER 2001

## TYPICAL CHARACTERISTICS

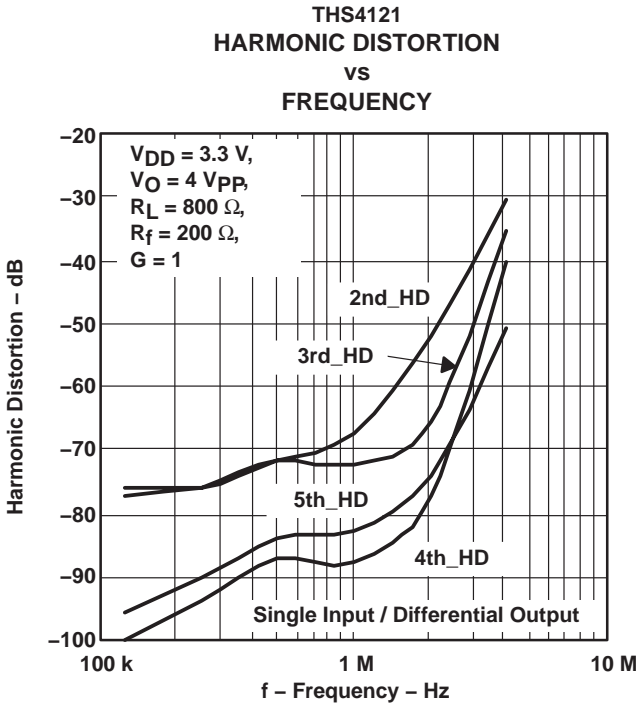


Figure 7

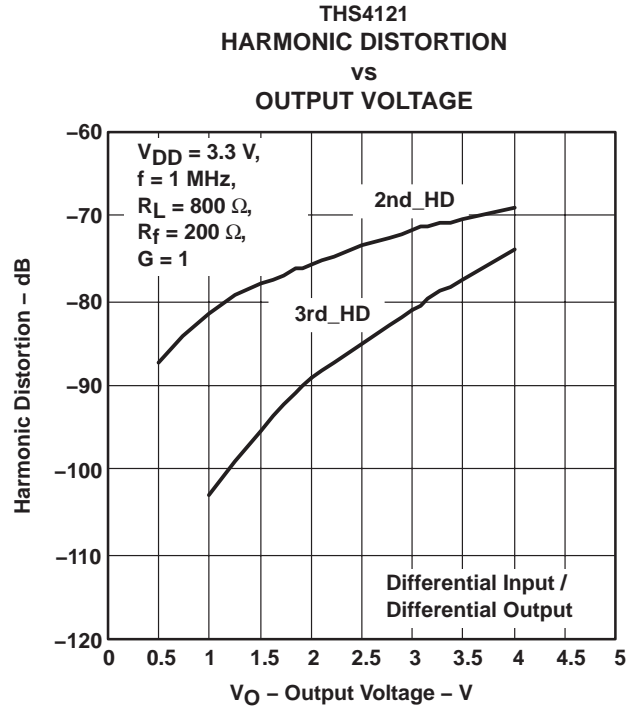


Figure 8

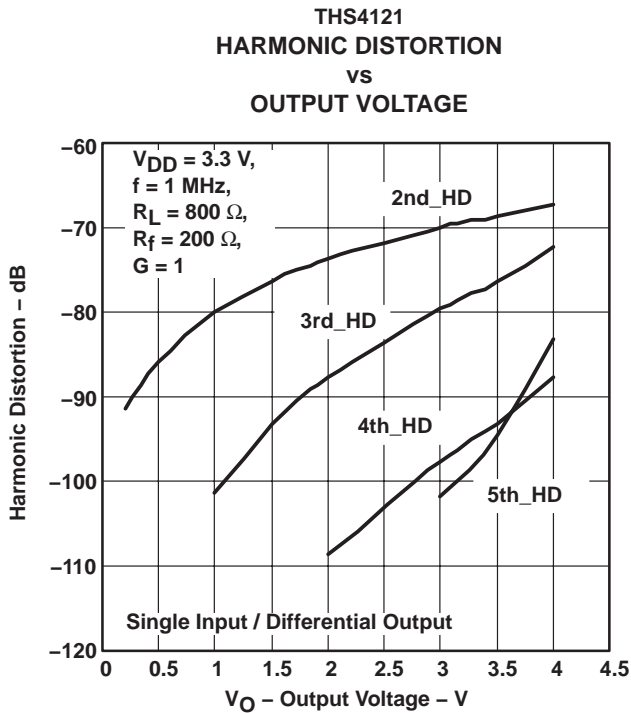


Figure 9

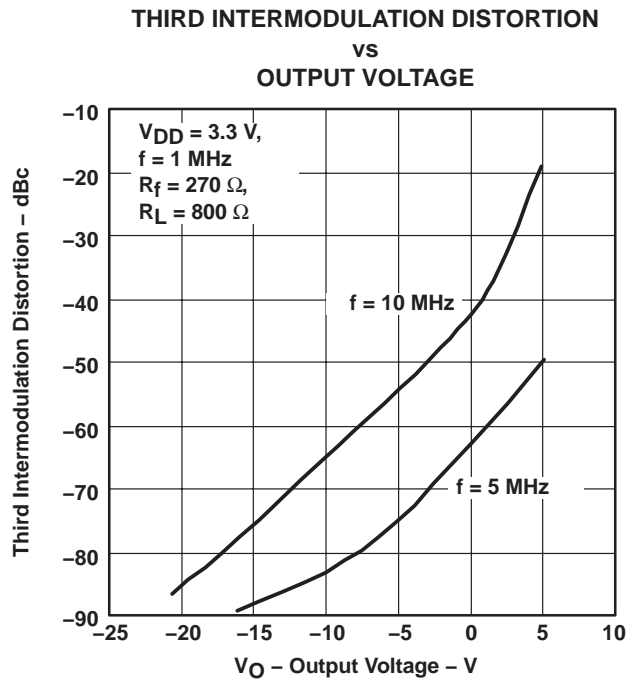


Figure 10

# THS4120, THS4121 HIGH-SPEED FULLY DIFFERENTIAL I/O AMPLIFIERS

SLOS319B – FEBRUARY 2001 – REVISED DECEMBER 2001

## TYPICAL CHARACTERISTICS

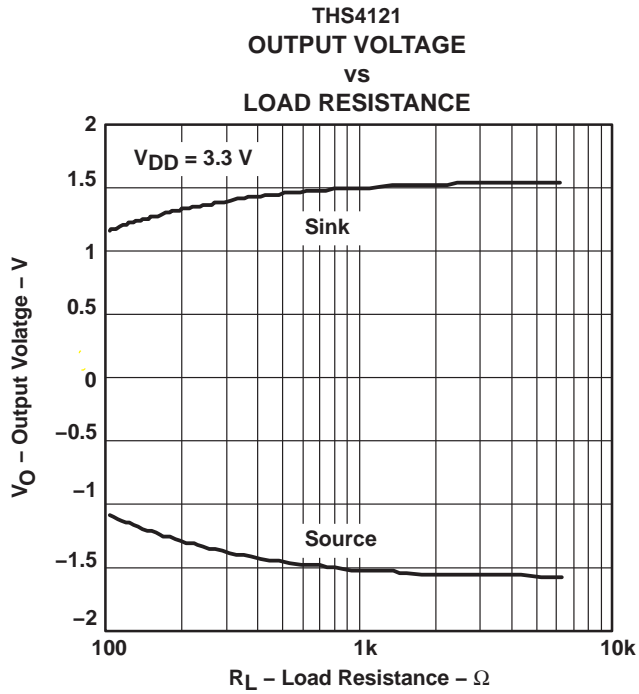


Figure 11

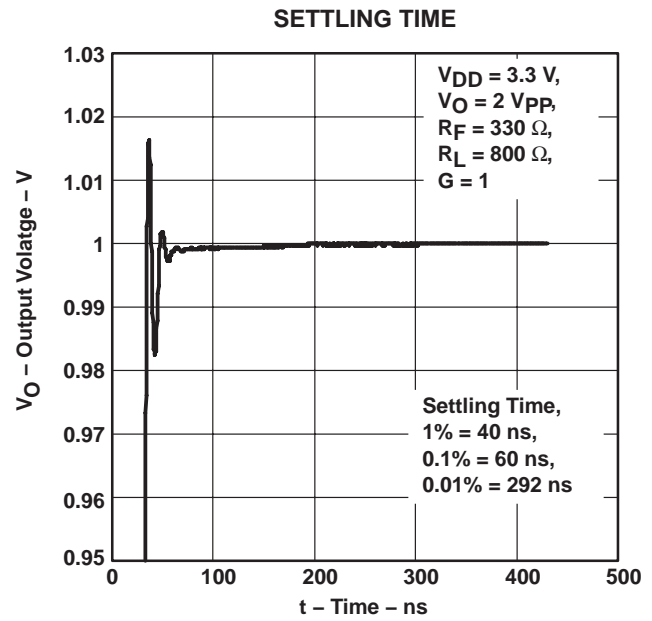


Figure 12

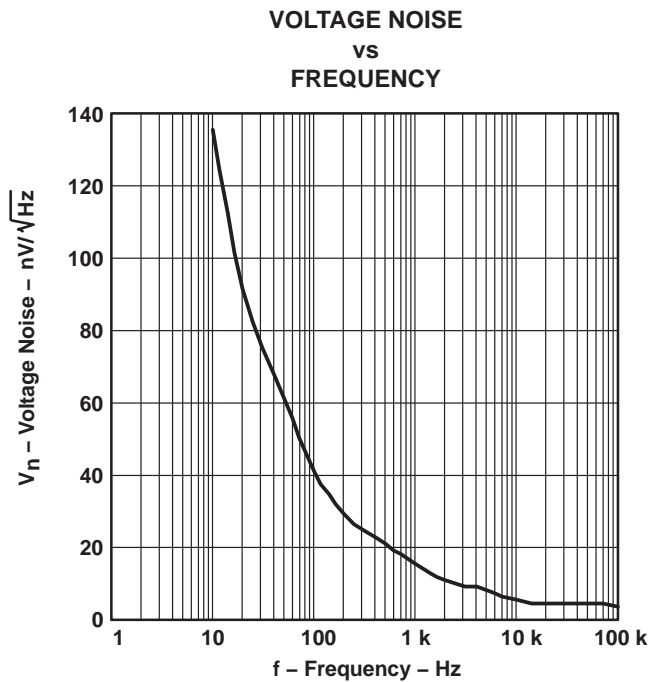


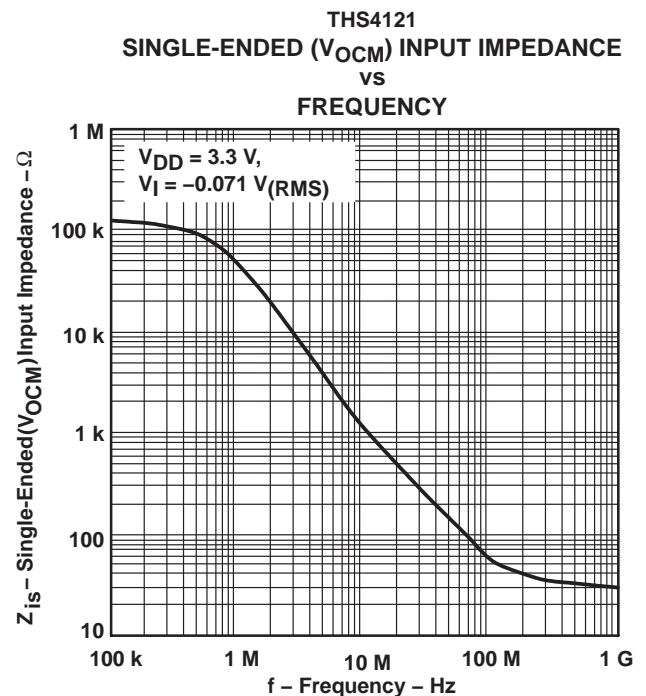
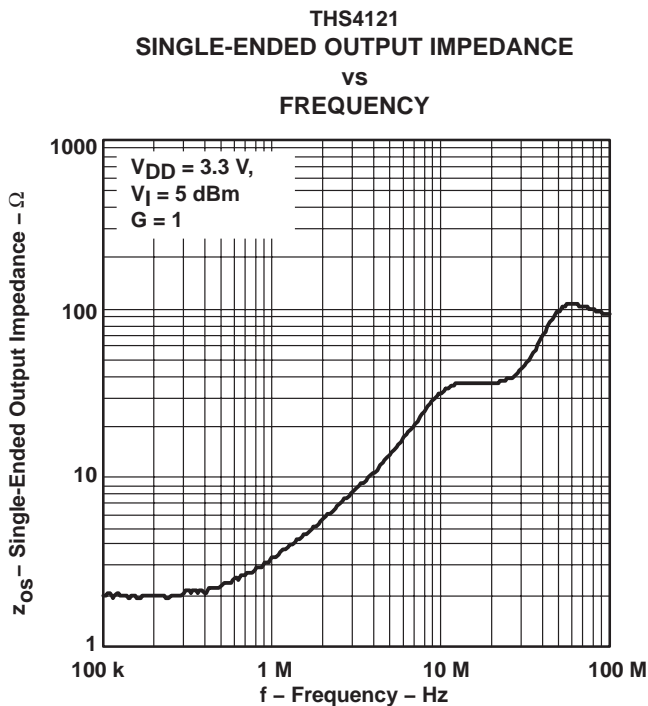
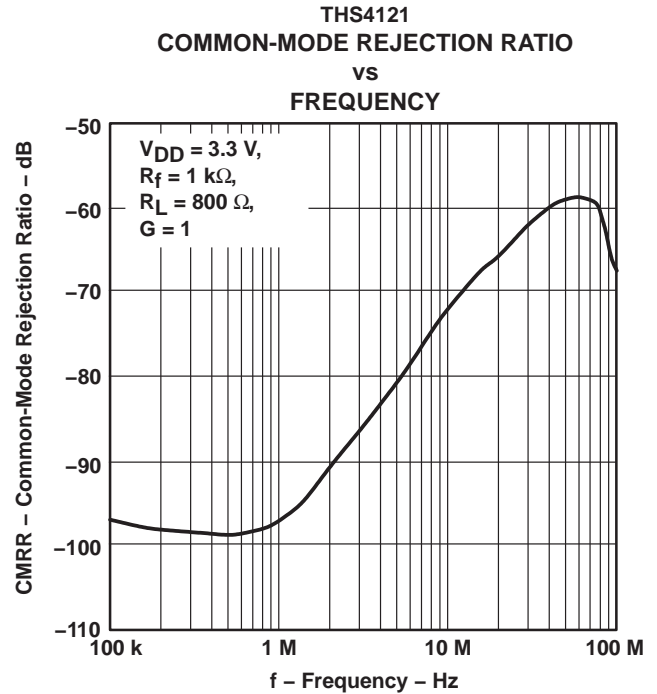
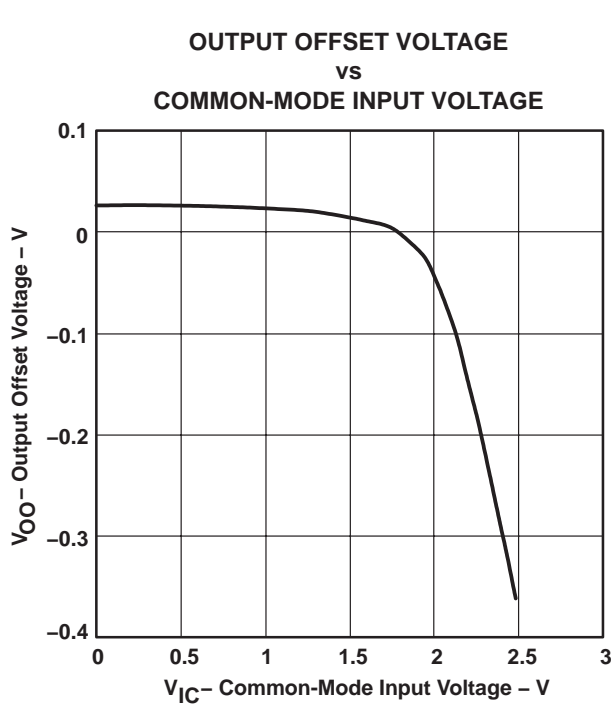
Figure 13



# THS4120, THS4121 HIGH-SPEED FULLY DIFFERENTIAL I/O AMPLIFIERS

SLOS319B – FEBRUARY 2001 – REVISED DECEMBER 2001

## TYPICAL CHARACTERISTICS



# THS4120, THS4121 HIGH-SPEED FULLY DIFFERENTIAL I/O AMPLIFIERS

SLOS319B – FEBRUARY 2001 – REVISED DECEMBER 2001

## APPLICATION INFORMATION

### resistor matching

Resistor matching is important in fully differential amplifiers. The balance of the output on the reference voltage depends on matched ratios of the resistors. CMRR, PSRR, and cancellation of the second harmonic distortion will diminish if resistor mismatch occurs. Therefore, it is recommended to use 1% tolerance resistors or better to keep the performance optimized.

$V_{OCM}$  sets the dc level of the output signals. If no voltage is applied to the  $V_{OCM}$  pin, it will be set to the midrail voltage internally defined as:

$$\frac{(V_{DD}) + (V_{SS})}{2}$$

In the differential mode, the  $V_{OCM}$  on the two outputs cancel each other. Therefore, the output in the differential mode is the same as the input with the gain of 1.  $V_{OCM}$  has a high bandwidth capability up to the typical operation range of the amplifier. For the prevention of noise going through the device, use a 0.1  $\mu\text{F}$  capacitor on the  $V_{OCM}$  pin as a bypass capacitor. The following graph shows the simplified diagram of the THS412x.

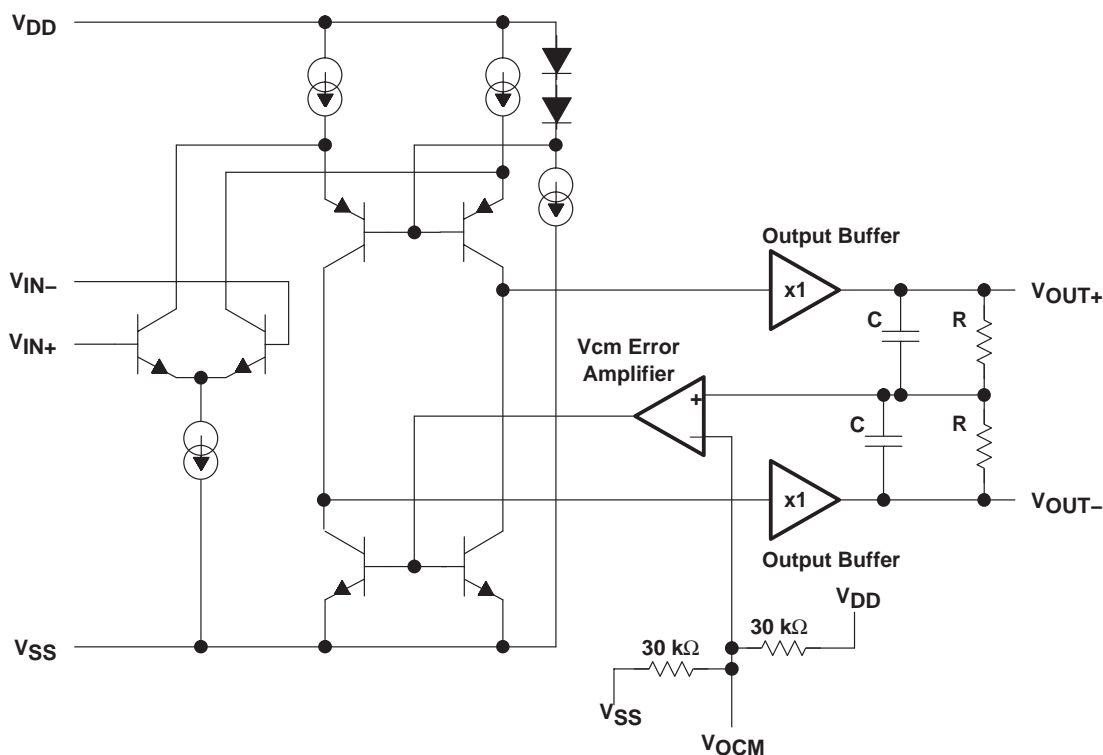


Figure 18. THS412x Simplified Diagram

# THS4120, THS4121 HIGH-SPEED FULLY DIFFERENTIAL I/O AMPLIFIERS

SLOS319B – FEBRUARY 2001 – REVISED DECEMBER 2001

## APPLICATION INFORMATION

### data converters

Data converters are one of the most popular applications for the fully differential amplifiers.

Fully differential amplifiers can operate with a single supply.  $V_{OCM}$  defaults to the midrail voltage,  $V_{DD}/2$ . The differential output may be fed into a data converter. This method eliminates the use of a transformer in the circuit. If the ADC has a reference voltage output ( $V_{ref}$ ), then it is recommended to connect it directly to the  $V_{OCM}$  of the amplifier using a bypass capacitor for stability. For proper operation, the input common-mode voltage to the input terminal of the amplifier should not exceed the common-mode input voltage range.

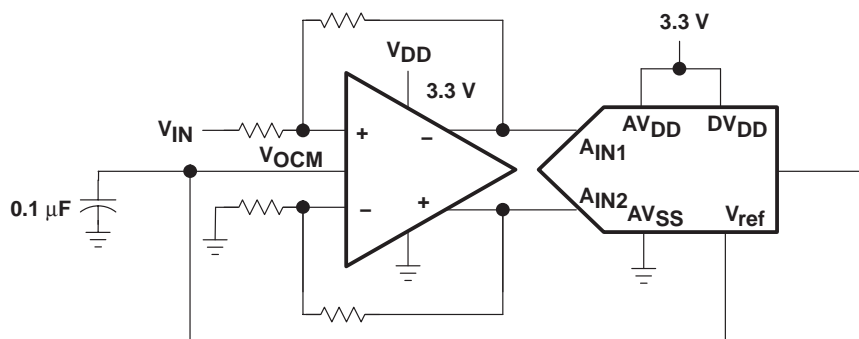


Figure 19. Differential Amplifier Using a Single Supply

Some single supply applications may require the input voltage to exceed the common-mode input voltage range. In such cases, the following circuit configuration is suggested to bring the common-mode input voltage within the specifications of the amplifier.

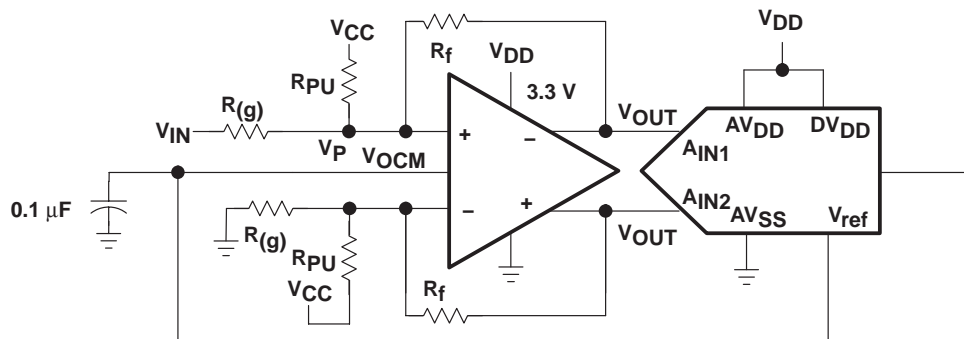


Figure 20. Circuit With Improved Common-Mode Input Voltage

The following equation is used to calculate  $R_{PU}$ :

$$R_{PU} = \frac{V_P - V_{DD}}{\left( \frac{V_{IN} - V_P}{R(g)} \right) + \left( \frac{V_{OUT} - V_P}{R_f} \right)}$$

# THS4120, THS4121 HIGH-SPEED FULLY DIFFERENTIAL I/O AMPLIFIERS

SLOS319B – FEBRUARY 2001 – REVISED DECEMBER 2001

## APPLICATION INFORMATION

### driving a capacitive load

Driving capacitive loads with high performance amplifiers is not a problem as long as certain precautions are taken. The first is to realize that the THS412x has been internally compensated to maximize its bandwidth and slew rate performance. When the amplifier is compensated in this manner, capacitive loading directly on the output will decrease the device's phase margin leading to high frequency ringing or oscillations. Therefore, for capacitive loads of greater than 10 pF, it is recommended that a resistor be placed in series with the output of the amplifier, as shown in Figure 21. A minimum value of 20 Ω should work well for most applications. For example, in 50-Ω transmission systems, setting the series resistor value to 50 Ω both isolates any capacitance loading and provides the proper line impedance matching at the source end.

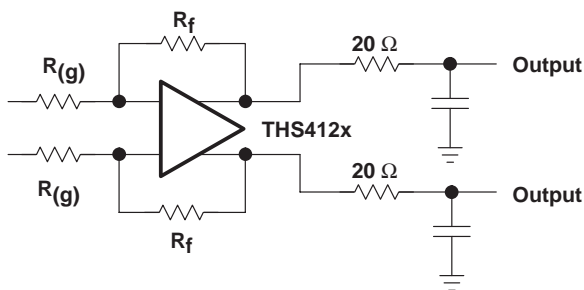


Figure 21. Driving a Capacitive Load

### Active antialias filtering

For signal conditioning in ADC applications, it is important to limit the input frequency to the ADC. Low-pass filters can prevent the aliasing of the high frequency noise with the frequency of operation. The following figure presents a method by which the noise may be filtered in the THS412x. Proper ground referencing should be considered.

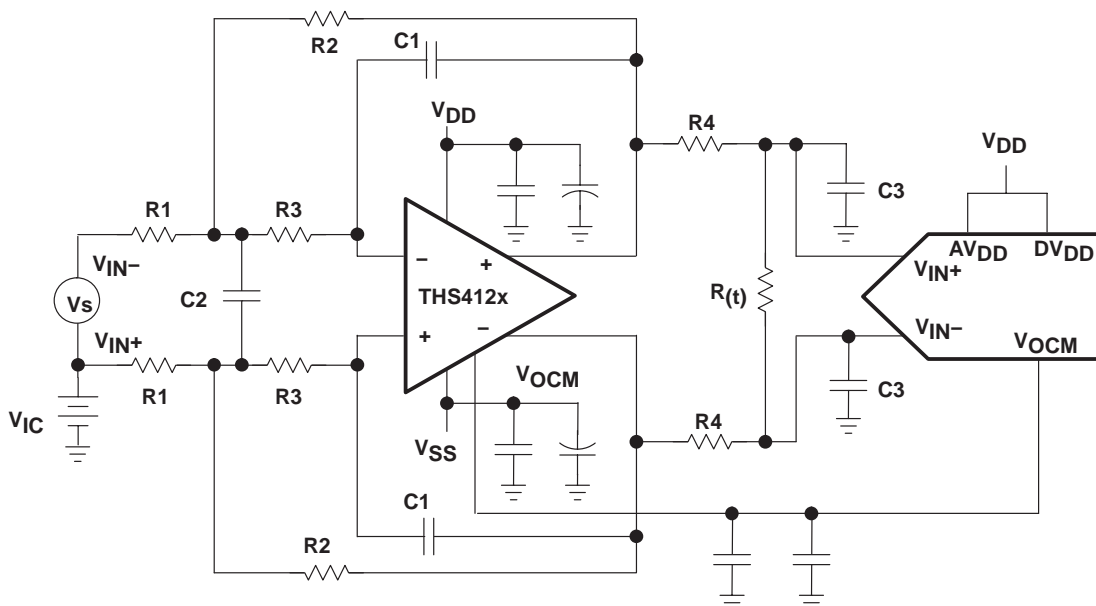


Figure 22. Antialias Filtering

### APPLICATION INFORMATION

#### Active antialias filtering (continued)

The transfer function for this filter circuit is:

$$H_d(f) = \left[ \frac{K}{-\left(\frac{f}{\text{FSF} \times f_c}\right)^2 + \frac{1}{Q} \frac{jf}{\text{FSF} \times f_c} + 1} \right] \times \left[ \frac{\frac{R_t}{2R_4 + R_t}}{1 + \frac{j2\pi f R_4 R_t C_3}{2R_4 + R_t}} \right] \quad \text{Where } K = \frac{R_2}{R_1}$$

$$\text{FSF} \times f_c = \frac{1}{2\pi \sqrt{2 \times R_2 R_3 C_1 C_2}} \quad \text{and} \quad Q = \frac{\sqrt{2 \times R_2 R_3 C_1 C_2}}{R_3 C_1 + R_2 C_1 + K R_3 C_1}$$

K sets the pass band gain,  $f_c$  is the cutoff frequency for the filter, FSF is a frequency scaling factor, and Q is the quality factor.

$$\text{FSF} = \sqrt{\text{Re}^2 + |\text{Im}|^2} \quad \text{and} \quad Q = \frac{\sqrt{\text{Re}^2 + |\text{Im}|^2}}{2\text{Re}}$$

Where Re is the real part, and Im is the imaginary part of the complex pole pair. Setting  $R_2 = R$ ,  $R_3 = mR$ ,  $C_1 = C$ , and  $C_2 = nC$  results in:

$$\text{FSF} \times f_c = \frac{1}{2\pi RC \sqrt{2 \times mn}} \quad \text{and} \quad Q = \frac{\sqrt{2 \times mn}}{1 + m(1 + K)}$$

Start by determining the ratios, m and n, required for the gain and Q of the filter type being designed, then select C and calculate R for the desired  $f_c$ .

# THS4120, THS4121 HIGH-SPEED FULLY DIFFERENTIAL I/O AMPLIFIERS

SLOS319B – FEBRUARY 2001 – REVISED DECEMBER 2001

## PRINCIPLES OF OPERATION

### theory of operation

The THS412x is a fully differential amplifier. Differential amplifiers are typically *differential in/single out*, whereas fully differential amplifiers are *differential in/differential out*.

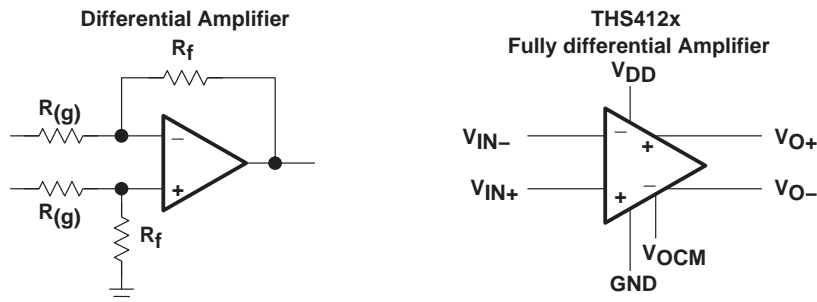


Figure 23. Differential Amplifier Versus a Fully Differential Amplifier

To understand the THS412x fully differential amplifiers, the definition for the pinouts of the amplifier are provided.

Input voltage definition  $V_{ID} = (V_{I+}) - (V_{I-})$        $V_{IC} = \frac{(V_{I+}) + (V_{I-})}{2}$

Output voltage definition  $V_{OD} = (V_{O+}) - (V_{O-})$        $V_{OC} = \frac{(V_{O+}) + (V_{O-})}{2}$

Transfer function  $V_{OD} = V_{ID} \times A_{(f)}$

Output common mode voltage  $V_{OC} = V_{OCM}$

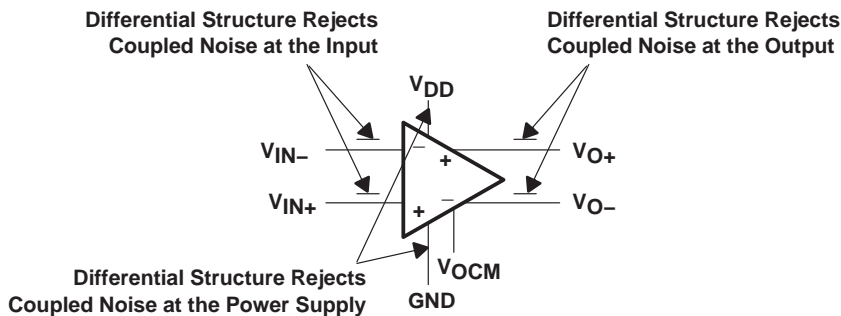
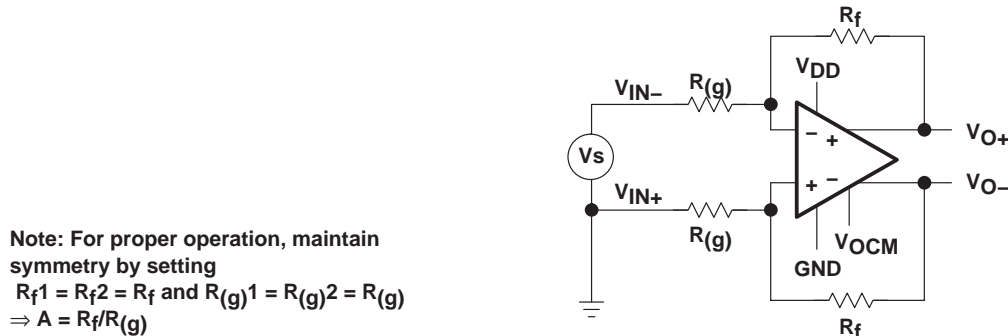


Figure 24. Definition of the Fully Differential Amplifier

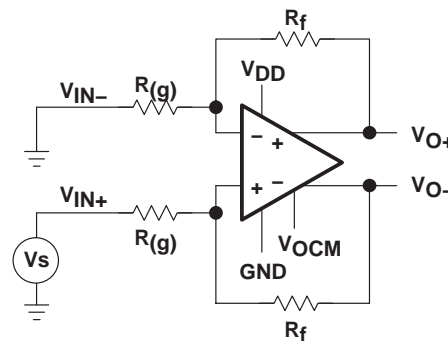
## PRINCIPLES OF OPERATION

### theory of operation (continued)

The following schematics depict the differences between the operation of the THS412x, fully differential amplifier, in two different modes. Fully differential amplifiers can work with differential input or can be implemented as single in/differential out.



**Figure 25. Amplifying Differential Signals**



**RECOMMENDED RESISTOR VALUES**

GAIN	$R_{(g)} \Omega$	$R_f \Omega$
1	150	150

**Figure 26. Single In With Differential Out**

If each output is measured independently, each output is one-half of the input signal when gain is 1. The following equations express the transfer function for each output:

$$V_{O+} = \frac{1}{2} V_I$$

The second output is equal and opposite in sign:

$$V_{O-} = -\frac{1}{2} V_I$$

Fully differential amplifiers may be viewed as two inverting amplifiers. In this case, the equation of an inverting amplifier holds true for gain calculations. One advantage of fully differential amplifiers is that they offer twice as much dynamic range compared to single-ended amplifiers. For example, a  $1-V_{PP}$  ADC can only support an input signal of  $1 V_{PP}$ . If the output of the amplifier is  $2 V_{PP}$ , then it will not be practical to feed a  $2-V_{PP}$  signal into the targeted ADC. Using a fully differential amplifier enables the user to break down the output into two  $1-V_{PP}$  signals with opposite signs and feed them into the differential input nodes of the ADC. In practice, the designer has been able to feed a  $2-V$  peak-to-peak signal into a  $1-V$  differential ADC with the help of a fully differential amplifier. The final result indicates twice as much dynamic range. Figure 27 illustrates the increase in dynamic range. The gain factor should be considered in this scenario. The THS412x fully differential amplifier offers an improved CMRR and PSRR due to its symmetrical input and output. Furthermore, second harmonic distortion is improved. Second harmonics tend to cancel because of the symmetrical output.

# THS4120, THS4121 HIGH-SPEED FULLY DIFFERENTIAL I/O AMPLIFIERS

SLOS319B – FEBRUARY 2001 – REVISED DECEMBER 2001

## PRINCIPLES OF OPERATION

### theory of operation (continued)

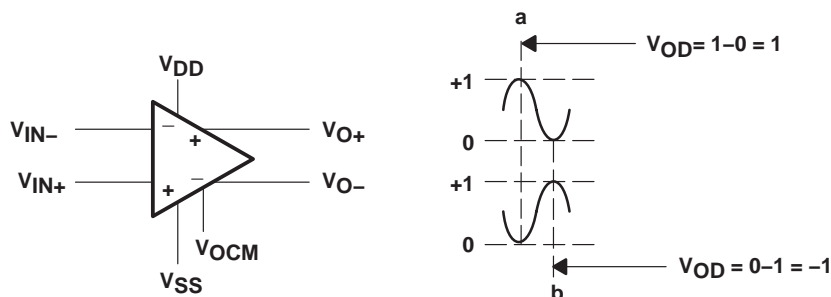


Figure 27. Fully Differential Amplifier With Two 1-V<sub>pp</sub> Signals

### circuit layout considerations

To achieve the levels of high frequency performance of the THS412x, follow proper printed-circuit board high frequency design techniques. A general set of guidelines is given below. In addition, a THS412x evaluation board is available to use as a guide for layout or for evaluating the device performance.

- Ground planes – It is highly recommended that a ground plane be used on the board to provide all components with a low inductive ground connection. However, in the areas of the amplifier inputs and output, the ground plane can be removed to minimize the stray capacitance.
- Proper power supply decoupling – Use a 6.8- $\mu$ F tantalum capacitor in parallel with a 0.1- $\mu$ F ceramic capacitor on each supply terminal. It may be possible to share the tantalum among several amplifiers depending on the application, but a 0.1- $\mu$ F ceramic capacitor should always be used on the supply terminal of every amplifier. In addition, the 0.1- $\mu$ F capacitor should be placed as close as possible to the supply terminal. As this distance increases, the inductance in the connecting trace makes the capacitor less effective. The designer should strive for distances of less than 0.1 inches between the device power terminals and the ceramic capacitors.
- Sockets – Sockets are not recommended for high-speed operational amplifiers. The additional lead inductance in the socket pins will often lead to stability problems. Surface-mount packages soldered directly to the printed-circuit board is the best implementation.
- Short trace runs/compact part placements – Optimum high frequency performance is achieved when stray series inductance has been minimized. To realize this, the circuit layout should be made as compact as possible, thereby minimizing the length of all trace runs. Particular attention should be paid to the inverting input of the amplifier. Its length should be kept as short as possible. This will help to minimize stray capacitance at the input of the amplifier.
- Surface-mount passive components – Using surface-mount passive components is recommended for high frequency amplifier circuits for several reasons. First, because of the extremely low lead inductance of surface-mount components, the problem with stray series inductance is greatly reduced. Second, the small size of surface-mount components naturally leads to a more compact layout thereby minimizing both stray inductance and capacitance. If leaded components are used, it is recommended that the lead lengths be kept as short as possible.



# THS4120, THS4121 HIGH-SPEED FULLY DIFFERENTIAL I/O AMPLIFIERS

SLOS319B – FEBRUARY 2001 – REVISED DECEMBER 2001

## PRINCIPLES OF OPERATION

### power-down mode

Due to the similarity of the standard inverting amplifier configuration, the output impedance appears to be very low while in the power-down state. This is because the feedback resistor ( $R_f$ ) and the gain resistor ( $R_{(g)}$ ) are still connected to the circuit. Therefore, a current path is allowed between the input of the amplifier and the output of the amplifier. An example of the closed loop output impedance is shown in Figure 28.

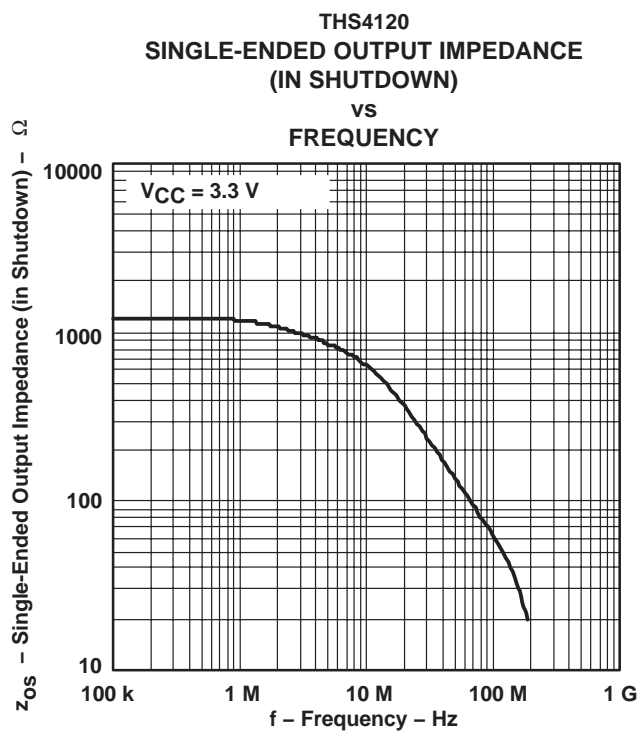


Figure 28

# THS4120, THS4121 HIGH-SPEED FULLY DIFFERENTIAL I/O AMPLIFIERS

SLOS319B – FEBRUARY 2001 – REVISED DECEMBER 2001

## APPLICATION INFORMATION

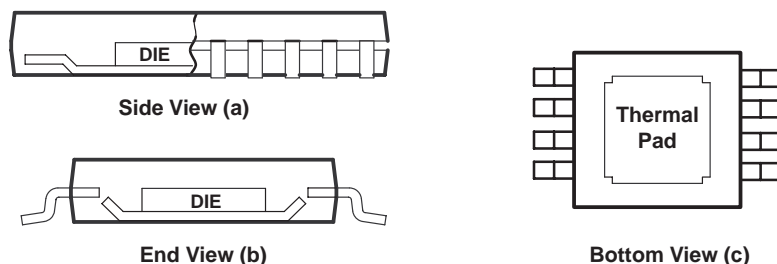
### general PowerPAD design considerations (applicable to differential amplifier family)

The THS412x is available packaged in a thermally-enhanced DGN package, which is a member of the PowerPAD family of packages. This package is constructed using a downset leadframe upon which the die is mounted [see Figure 29(a) and Figure 29(b)]. This arrangement results in the lead frame being exposed as a thermal pad on the underside of the package [see Figure 29(c)]. Because this thermal pad has direct thermal contact with the die, excellent thermal performance can be achieved by providing a good thermal path away from the thermal pad.

The PowerPAD package allows for both assembly and thermal management in one manufacturing operation. During the surface-mount solder operation (when the leads are being soldered), the thermal pad can also be soldered to a copper area underneath the package. Through the use of thermal paths within this copper area, heat can be conducted away from the package into either a ground plane or other heat dissipating device.

The PowerPAD package represents a breakthrough in combining the small area and ease of assembly of the surface mount with the, heretofore, awkward mechanical methods of heatsinking.

More complete details of the PowerPAD installation process and thermal management techniques can be found in the Texas Instruments Technical Brief, *PowerPAD Thermally Enhanced Package (SLMA002)*. This document can be found at the TI web site ([www.ti.com](http://www.ti.com)) by searching on the key word PowerPAD. The document can also be ordered through your local TI sales office. Refer to literature number SLMA002 when ordering.



NOTE A: The thermal pad is electrically isolated from all terminals in the package.

**Figure 29. Views of Thermally Enhanced DGN Package**

# THS4120, THS4121 HIGH-SPEED FULLY DIFFERENTIAL I/O AMPLIFIERS

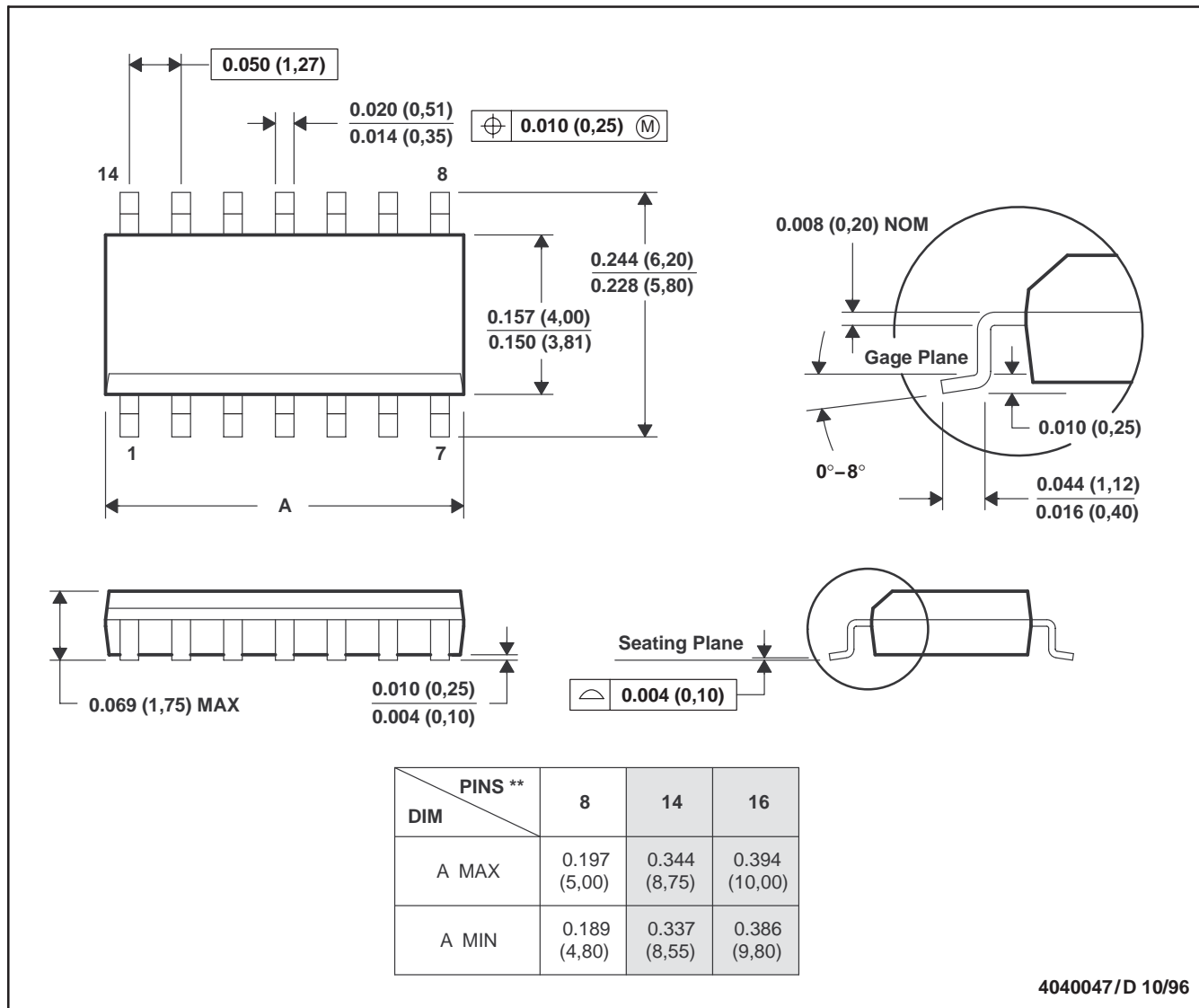
SLOS319B – FEBRUARY 2001 – REVISED DECEMBER 2001

## MECHANICAL DATA

**D (R-PDSO-G\*\*)**

**PLASTIC SMALL-OUTLINE PACKAGE**

14 PINS SHOWN



- NOTES: A. All linear dimensions are in inches (millimeters).  
 B. This drawing is subject to change without notice.  
 C. Body dimensions do not include mold flash or protrusion, not to exceed 0.006 (0,15).  
 D. Falls within JEDEC MS-012

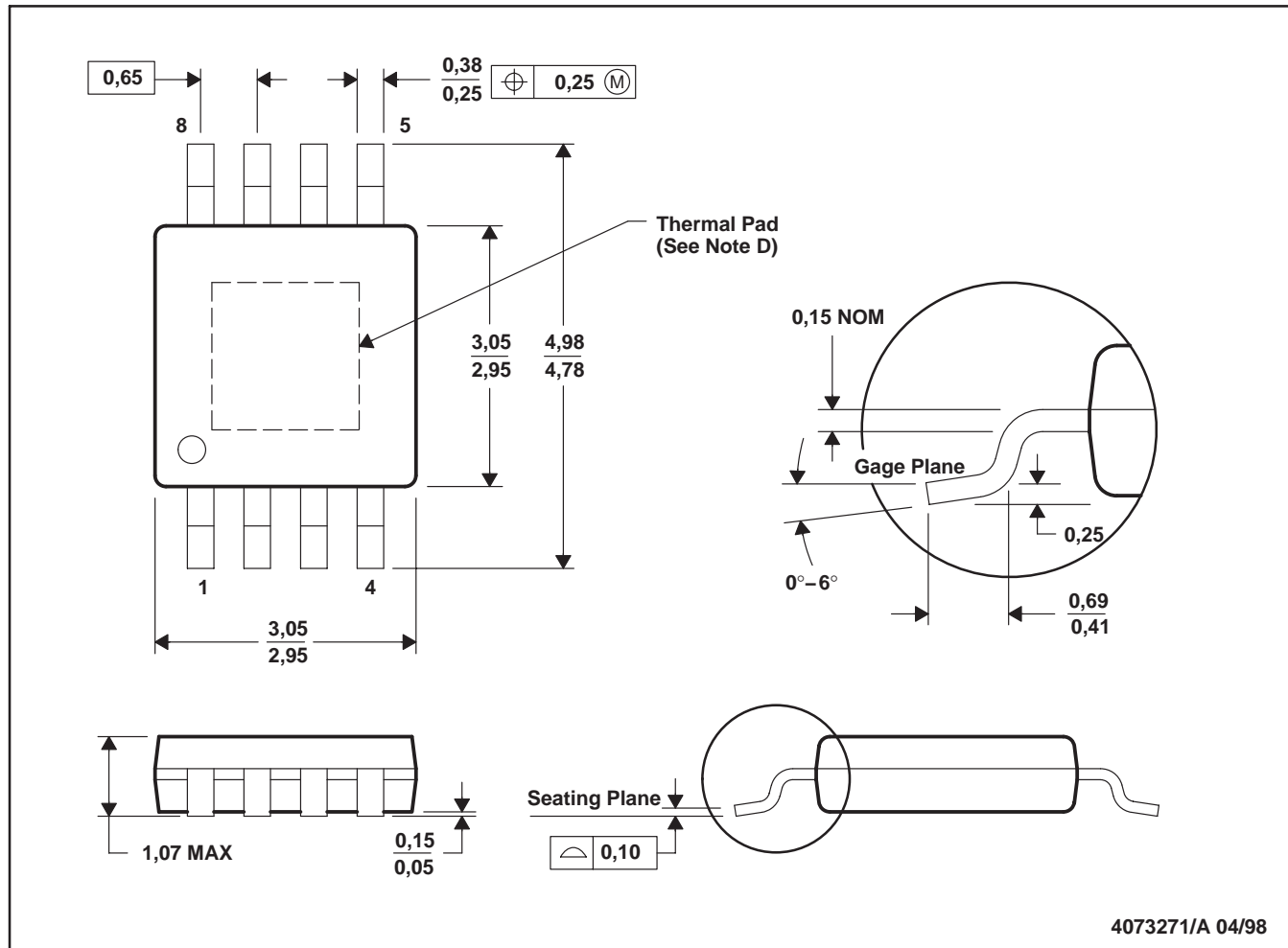
# THS4120, THS4121 HIGH-SPEED FULLY DIFFERENTIAL I/O AMPLIFIERS

SLOS319B – FEBRUARY 2001 – REVISED DECEMBER 2001

## MECHANICAL DATA

DGN (S-PDSO-G8)

PowerPAD™ PLASTIC SMALL-OUTLINE PACKAGE



4073271/A 04/98

- NOTES:
- All linear dimensions are in millimeters.
  - This drawing is subject to change without notice.
  - Body dimensions include mold flash or protrusions.
  - The package thermal performance may be enhanced by attaching an external heat sink to the thermal pad. This pad is electrically and thermally connected to the backside of the die and possibly selected leads.
  - Falls within JEDEC MO-187

## IMPORTANT NOTICE

Texas Instruments Incorporated and its subsidiaries (TI) reserve the right to make corrections, modifications, enhancements, improvements, and other changes to its products and services at any time and to discontinue any product or service without notice. Customers should obtain the latest relevant information before placing orders and should verify that such information is current and complete. All products are sold subject to TI's terms and conditions of sale supplied at the time of order acknowledgment.

TI warrants performance of its hardware products to the specifications applicable at the time of sale in accordance with TI's standard warranty. Testing and other quality control techniques are used to the extent TI deems necessary to support this warranty. Except where mandated by government requirements, testing of all parameters of each product is not necessarily performed.

TI assumes no liability for applications assistance or customer product design. Customers are responsible for their products and applications using TI components. To minimize the risks associated with customer products and applications, customers should provide adequate design and operating safeguards.

TI does not warrant or represent that any license, either express or implied, is granted under any TI patent right, copyright, mask work right, or other TI intellectual property right relating to any combination, machine, or process in which TI products or services are used. Information published by TI regarding third-party products or services does not constitute a license from TI to use such products or services or a warranty or endorsement thereof. Use of such information may require a license from a third party under the patents or other intellectual property of the third party, or a license from TI under the patents or other intellectual property of TI.

Reproduction of information in TI data books or data sheets is permissible only if reproduction is without alteration and is accompanied by all associated warranties, conditions, limitations, and notices. Reproduction of this information with alteration is an unfair and deceptive business practice. TI is not responsible or liable for such altered documentation.

Resale of TI products or services with statements different from or beyond the parameters stated by TI for that product or service voids all express and any implied warranties for the associated TI product or service and is an unfair and deceptive business practice. TI is not responsible or liable for any such statements.

Following are URLs where you can obtain information on other Texas Instruments products and application solutions:

<b>Products</b>		<b>Applications</b>	
Amplifiers	<a href="http://amplifier.ti.com">amplifier.ti.com</a>	Audio	<a href="http://www.ti.com/audio">www.ti.com/audio</a>
Data Converters	<a href="http://dataconverter.ti.com">dataconverter.ti.com</a>	Automotive	<a href="http://www.ti.com/automotive">www.ti.com/automotive</a>
DSP	<a href="http://dsp.ti.com">dsp.ti.com</a>	Broadband	<a href="http://www.ti.com/broadband">www.ti.com/broadband</a>
Interface	<a href="http://interface.ti.com">interface.ti.com</a>	Digital Control	<a href="http://www.ti.com/digitalcontrol">www.ti.com/digitalcontrol</a>
Logic	<a href="http://logic.ti.com">logic.ti.com</a>	Military	<a href="http://www.ti.com/military">www.ti.com/military</a>
Power Mgmt	<a href="http://power.ti.com">power.ti.com</a>	Optical Networking	<a href="http://www.ti.com/opticalnetwork">www.ti.com/opticalnetwork</a>
Microcontrollers	<a href="http://microcontroller.ti.com">microcontroller.ti.com</a>	Security	<a href="http://www.ti.com/security">www.ti.com/security</a>
		Telephony	<a href="http://www.ti.com/telephony">www.ti.com/telephony</a>
		Video & Imaging	<a href="http://www.ti.com/video">www.ti.com/video</a>
		Wireless	<a href="http://www.ti.com/wireless">www.ti.com/wireless</a>

Mailing Address: Texas Instruments  
Post Office Box 655303 Dallas, Texas 75265