

**FAIRCHILD**  
SEMICONDUCTOR™

August 1986  
Revised March 2000

## DM74LS165 8-Bit Parallel In/Serial Output Shift Registers

### General Description

This device is an 8-bit serial shift register which shifts data in the direction of  $Q_A$  toward  $Q_H$  when clocked. Parallel-in access is made available by eight individual direct data inputs, which are enabled by a low level at the shift/load input. These registers also feature gated clock inputs and complementary outputs from the eighth bit.

Clocking is accomplished through a 2-input NOR gate, permitting one input to be used as a clock-inhibit function. Holding either of the clock inputs HIGH inhibits clocking, and holding either clock input LOW with the load input HIGH enables the other clock input. The clock-inhibit input should be changed to the high level only while the clock input is HIGH. Parallel loading is inhibited as long as the load input is HIGH. Data at the parallel inputs are loaded directly into the register on a HIGH-to-LOW transition of the shift/load input, regardless of the logic levels on the clock, clock inhibit, or serial inputs.

### Features

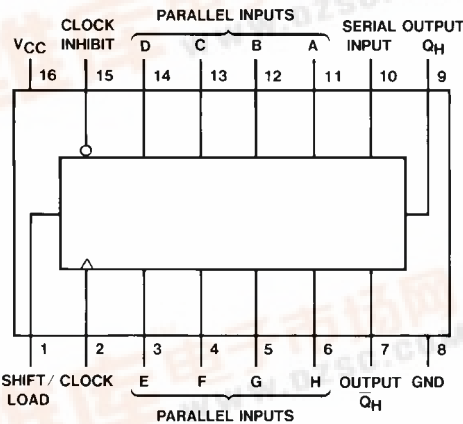
- Complementary outputs
- Direct overriding (data) inputs
- Gated clock inputs
- Parallel-to-serial data conversion
- Typical frequency 35 MHz
- Typical power dissipation 105 mW

### Ordering Code:

Order Number	Package Number	Package Description
DM74LS165M	M16A	16-Lead Small Outline Integrated Circuit (SOIC), JEDEC MS-012, 0.150 Narrow
DM74LS165WM	M16B	16-Lead Small Outline Intergrated Circuit (SOIC), JEDEC MS-013, 0.300 Wide
DM74LS165N	N16E	16-Lead Plastic Dual-In-Line Package (PDIP), JEDEC MS-001, 0.300 Wide

Devices also available in Tape and Reel. Specify by appending the suffix letter "X" to the ordering code.

### Connection Diagram



### Function Table

Shift/ Load	Clock Inhibit	Inputs			Internal Outputs		Output $Q_H$
		Clock	Serial	Parallel A...H	$Q_A$	$Q_B$	
L	X	X	X	a...h	a	b	h
H	L	L	X	X	$Q_{A0}$	$Q_{B0}$	$Q_{H0}$
H	L	↑	H	X	H	$Q_{An}$	$Q_{Gn}$
H	L	↑	L	X	L	$Q_{An}$	$Q_{Gn}$
H	H	X	X	X	$Q_{A0}$	$Q_{B0}$	$Q_{H0}$

H = HIGH Level (steady state)

L = LOW Level (steady state)

X = Don't Care (any input, including transitions)

↑ = Transition from LOW-to-HIGH level

a...h = The level of steady-state input at inputs A through H, respectively.

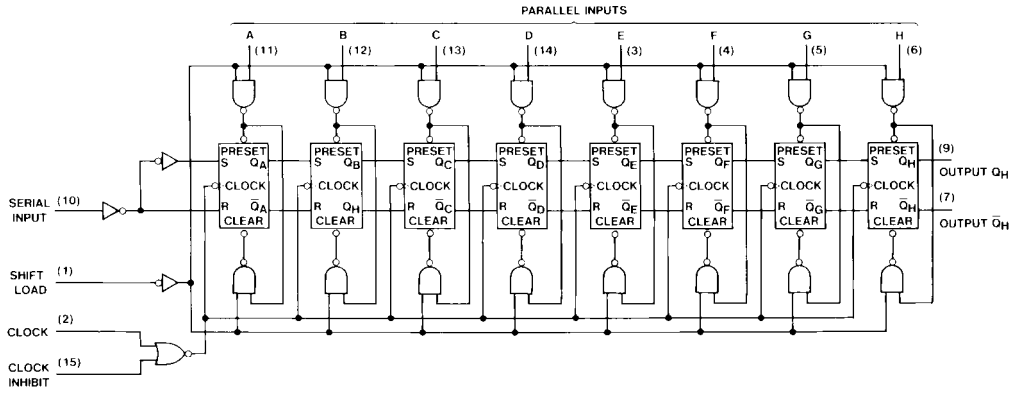
$Q_{A0}$ ,  $Q_{B0}$ ,  $Q_{H0}$  = The level of  $Q_A$ ,  $Q_B$ , or  $Q_H$ , respectively, before the indicated steady-state input conditions were established.

$Q_{An}$ ,  $Q_{Gn}$  = The level of  $Q_A$  or  $Q_G$ , respectively, before the most recent ↑ transition of the clock.

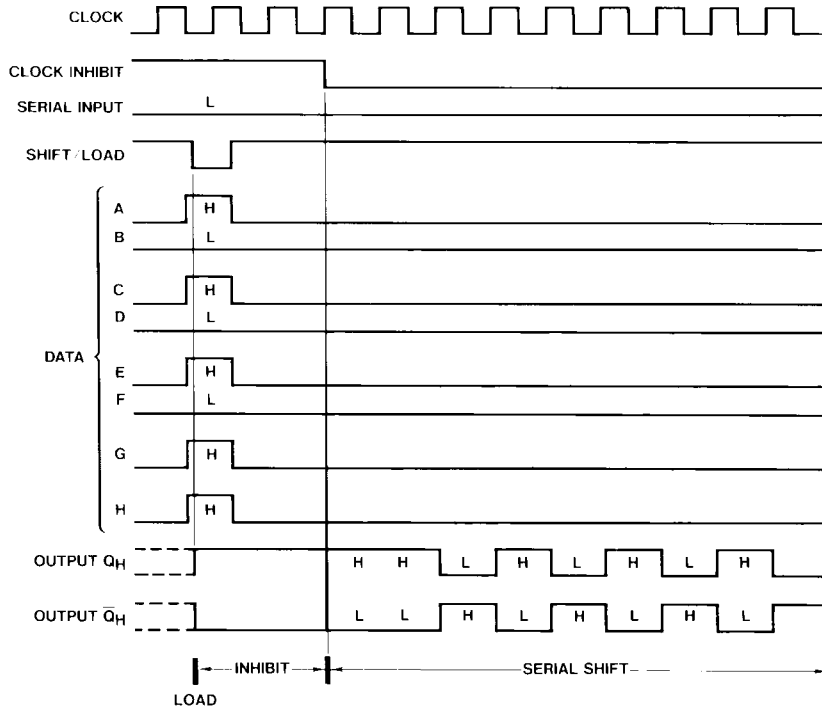
DM74LS165 8-Bit Parallel In/Serial Output Shift Registers



### Logic Diagram



### Timing Diagram



Typical Shift, Load, and Inhibit Sequences

**Absolute Maximum Ratings**(Note 1)

Supply Voltage	7V
Input Voltage	7V
Operating Free Air Temperature Range	0°C to +70°C
Storage Temperature Range	-65°C to +150°C

**Note 1:** The "Absolute Maximum Ratings" are those values beyond which the safety of the device cannot be guaranteed. The device should not be operated at these limits. The parametric values defined in the Electrical Characteristics tables are not guaranteed at the absolute maximum ratings. The "Recommended Operating Conditions" table will define the conditions for actual device operation.

**Recommended Operating Conditions**

Symbol	Parameter	Min	Nom	Max	Units
V <sub>CC</sub>	Supply Voltage	4.75	5	5.25	V
V <sub>IH</sub>	HIGH Level Input Voltage	2			V
V <sub>IL</sub>	LOW Level Input Voltage			0.8	V
I <sub>OH</sub>	HIGH Level Output Current			-0.4	mA
I <sub>OL</sub>	LOW Level Output Current			8	mA
f <sub>CLK</sub>	Clock Frequency (Note 2)	0		25	MHz
f <sub>CLK</sub>	Clock Frequency (Note 3)	0		20	MHz
t <sub>W</sub>	Pulse Width (Note 3)	Clock	25		ns
		Load	15		
t <sub>SU</sub>	Setup Time (Note 4)	Parallel	10		ns
		Serial	20		
		Enable	30		
		Shift	45		
t <sub>H</sub>	Hold Time (Note 4)	0			ns
T <sub>A</sub>	Free Air Operating Temperature	0		70	°C

**Note 2:** C<sub>L</sub> = 15 pF, R<sub>L</sub> = 2 kΩ, T<sub>A</sub> = 25°C and V<sub>CC</sub> = 5V

**Note 3:** C<sub>L</sub> = 50 pF, R<sub>L</sub> = 2 kΩ, T<sub>A</sub> = 25°C and V<sub>CC</sub> = 5V

**Note 4:** T<sub>A</sub> = 25°C and V<sub>CC</sub> = 5V.

**Electrical Characteristics**

over recommended operating free air temperature range (unless otherwise noted)

Symbol	Parameter	Conditions	Min	Typ (Note 5)	Max	Units
V <sub>I</sub>	Input Clamp Voltage	V <sub>CC</sub> = Min, I <sub>I</sub> = -18 mA			-1.5	V
V <sub>OH</sub>	HIGH Level Output Voltage	V <sub>CC</sub> = Min, I <sub>OH</sub> = Max V <sub>IL</sub> = Max, V <sub>IH</sub> = Min	2.7	3.4		V
V <sub>OL</sub>	LOW Level Output Voltage	V <sub>CC</sub> = Min, I <sub>OL</sub> = Max			0.4	V
		V <sub>IL</sub> = Max, V <sub>IH</sub> = Min		0.35	0.5	
		I <sub>OL</sub> = 4 mA, V <sub>CC</sub> = Min		0.25	0.4	
I <sub>I</sub>	Input Current @ Max Input Voltage	V <sub>CC</sub> = Max, V <sub>I</sub> = 7V	Shift/Load		0.3	mA
			Others		0.1	
I <sub>IH</sub>	HIGH Level Input Current	V <sub>CC</sub> = Max V <sub>I</sub> = 2.7V	Shift/Load		60	μA
			Others		20	
I <sub>IL</sub>	LOW Level Input Current	V <sub>CC</sub> = Max V <sub>I</sub> = 0.4V	Shift/Load		-1.2	mA
			Others		-0.4	
I <sub>OS</sub>	Short Circuit Output Current	V <sub>CC</sub> = Max (Note 6)	-20		-100	mA
I <sub>CC</sub>	Supply Current	V <sub>CC</sub> = Max (Note 7)		21	36	mA

**Note 5:** All typicals are at V<sub>CC</sub> = 5V, T<sub>A</sub> = 25°C.

**Note 6:** Not more than one output should be shorted at a time, and the duration should not exceed one second.

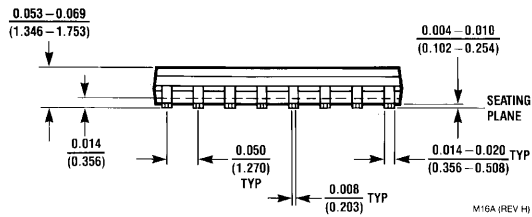
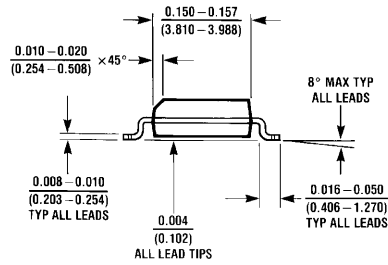
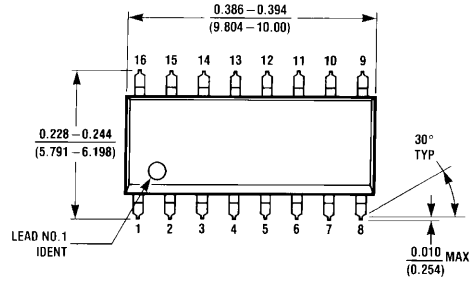
**Note 7:** With all outputs OPEN, clock inhibit and shift/load at 4.5V, and a clock pulse applied to the CLOCK input, I<sub>CC</sub> is measured first with the parallel inputs at 4.5V, then again grounded.

## Switching Characteristics

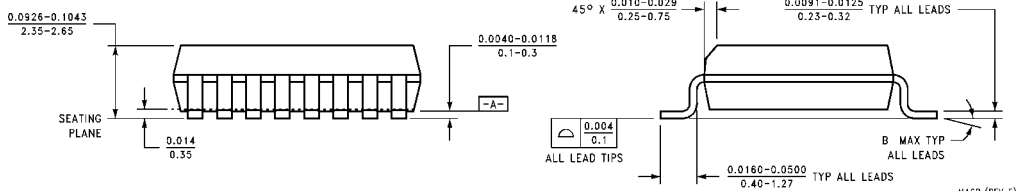
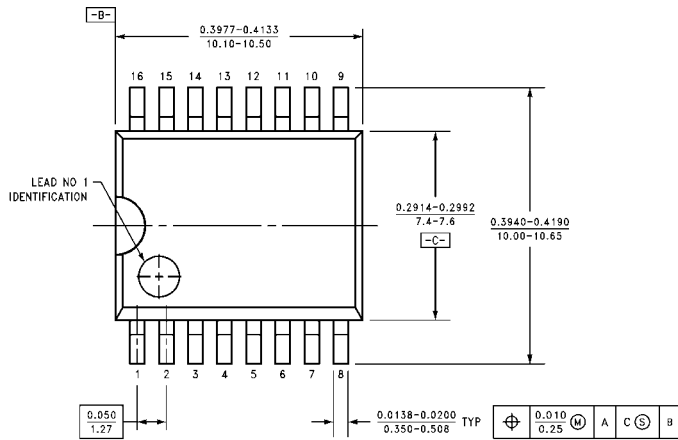
at  $V_{CC} = 5V$  and  $T_A = 25^\circ C$

Symbol	Parameter	From (Input) To (Output)	$C_L = 15 \text{ pF}$		$R_L = 2 \text{ k}\Omega, C_L = 50 \text{ pF}$		Units
			Min	Max	Min	Max	
$f_{MAX}$	Maximum Clock Frequency		25		20		MHz
$t_{PLH}$	Propagation Delay Time LOW-to-HIGH Level Output	Load to Any Q		35		37	ns
$t_{PHL}$	Propagation Delay Time HIGH-to-LOW Level Output	Load to Any Q		35		42	ns
$t_{PLH}$	Propagation Delay Time LOW-to-HIGH Level Output	Clock to Any Q		40		42	ns
$t_{PHL}$	Propagation Delay Time HIGH-to-LOW Level Output	Clock to Any Q		40		47	ns
$t_{PLH}$	Propagation Delay Time LOW-to-HIGH Level Output	H to $Q_H$		25		27	ns
$t_{PHL}$	Propagation Delay Time HIGH-to-LOW Level Output	H to $Q_H$		30		37	ns
$t_{PLH}$	Propagation Delay Time LOW-to-HIGH Level Output	H to $\overline{Q}_H$		30		32	ns
$t_{PHL}$	Propagation Delay Time HIGH-to-LOW Level Output	H to $\overline{Q}_H$		25		32	ns

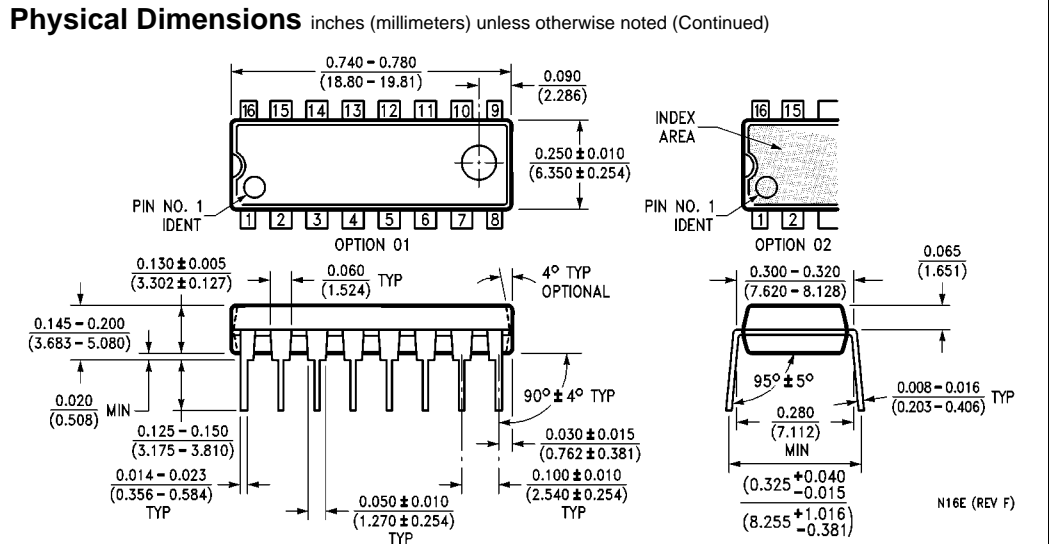
**Physical Dimensions** inches (millimeters) unless otherwise noted



**16-Lead Small Outline Integrated Circuit (SOIC), JEDEC MS-012, 0.150 Narrow Package Number M16A**



**16-Lead Small Outline Intergrated Circuit (SOIC), JEDEC MS-013, 0.300 Wide Package Number M16B**



Fairchild does not assume any responsibility for use of any circuitry described, no circuit patent licenses are implied and Fairchild reserves the right at any time without notice to change said circuitry and specifications.

**LIFE SUPPORT POLICY**

FAIRCHILD'S PRODUCTS ARE NOT AUTHORIZED FOR USE AS CRITICAL COMPONENTS IN LIFE SUPPORT DEVICES OR SYSTEMS WITHOUT THE EXPRESS WRITTEN APPROVAL OF THE PRESIDENT OF FAIRCHILD SEMICONDUCTOR CORPORATION. As used herein:

1. Life support devices or systems are devices or systems which, (a) are intended for surgical implant into the body, or (b) support or sustain life, and (c) whose failure to perform when properly used in accordance with instructions for use provided in the labeling, can be reasonably expected to result in a significant injury to the user.
2. A critical component in any component of a life support device or system whose failure to perform can be reasonably expected to cause the failure of the life support device or system, or to affect its safety or effectiveness.

[www.fairchildsemi.com](http://www.fairchildsemi.com)