

3-INPUT VIDEO SUPER IMPOSER WITH 6dB AMPLIFIER

■ GENERAL DESCRIPTION

NJM2265 is 3-input, 1-output video switch with 6dB amplifier. Two inputs are provided with sink chip clamp function which adjust the DC level of video signal. The other input of transistor open base can make control of luminance signal. This video switch can be connected to TV monitor directly, as it has 6dB amplifier circuit internally.

NJM2265 is a high performance video switch which is operated with 5V supply voltage.

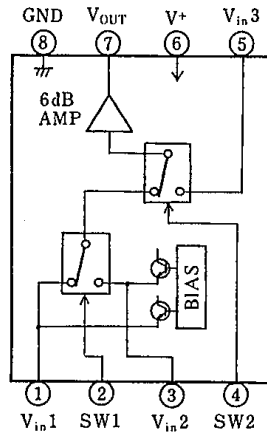
■ FEATURES

- Wide Operating Voltage (4.75~13V)
- 3 Input, 1 - Output
- Internal 6 dB Amplifier Circuit
- Internal Sink Chip Clamp Function (V_{IN1} , V_{IN2})
- Internal Luminance Signal Control Function (V_{IN3})
- Crosstalk 65dB(at 4.43MHz)
- Package Outline DIP8, DMP8, SIP8
- Bipolar Technology

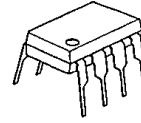
■ APPLICATIONS

- VCR, Video Camera, AV-TV, Video Disc Player.

■ BLOCK DIAGRAM



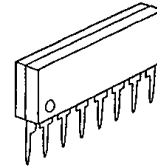
■ PACKAGE OUTLINE



NJM 2265D



NJM 2265M



NJM 2265L

5

■ ABSOLUTE MAXIMUM RATINGS

(Ta=25°C)

PARAMETER	SYMBOL	RATINGS	UNIT
Supply Voltage	V*	15	V
Power Dissipation	Pd	(DIP8) 500	mW
		(DMP8) 300	mW
		(SIP8) 800	mW
Operating Temperature Range	Topr	-40~+85	°C
Storage Temperature Range	Tstg	-40~+125	°C

■ ELECTRICAL CHARACTERISTICS

(V*=5V, Ta=25±2°C)

PARAMETERS	SYMBOLS	TEST CONDITIONS	MIN.	TYP.	MAX.	UNIT
Recommended Supply Voltage	V*		4.75	—	13.0	V
Operating Current	ICC	S=1=S2=S3=S4=S5=2	—	15	21.0	mA
Voltage Gain	Gv	Vin=1.0Vp-p, 1MHz, Vo/V1	5.7	6.2	6.7	dB
Frequency Characteristics	Gf	Vin=1.0Vp-p, Vo(5MHz)/Vo(1MHz)	-1.0	0	+1.0	dB
Differential Gain	DG	Vin=1.0Vp-p, Staircase, RL=1kΩ	—	0.2	—	%
Differential Phase	DP	Vin=1.0Vp-p, Staircase, RL=1kΩ	—	0.1	—	deg
Output Offset Voltage	VOS	S1=S2=S3=2, S4=2 → 1 Vin=1.0Vp-p, 4.43MHz	-60	0	+60	mV
Crosstalk	CT	Vo/V1 Vin3 Biased (note 2)	—	-65	—	dB
Switch Change Voltage	VCH	Switch High Level Voltage	2.4	—	—	V
Switch High Level Voltage	VCL	Switch Low Level Voltage	—	—	0.8	V

Note 1 Unless otherwise specified, tested with the following conditions.

a) S1=1, S2=S3=S4=S5=2 b) S2=S4=1, S1=S3=S5=2 c) S3=S5=1, S1=S2=1, S4=1 or 2

Note 2 Tested with the following conditions.

a) S1=S4=1, S2=S3=2, S5=1 and 2 b) S2=1, S1=S3=S4=2, S5=1 and 2 c) S3=1, S1=S2=S5=2, S4=1 and 2

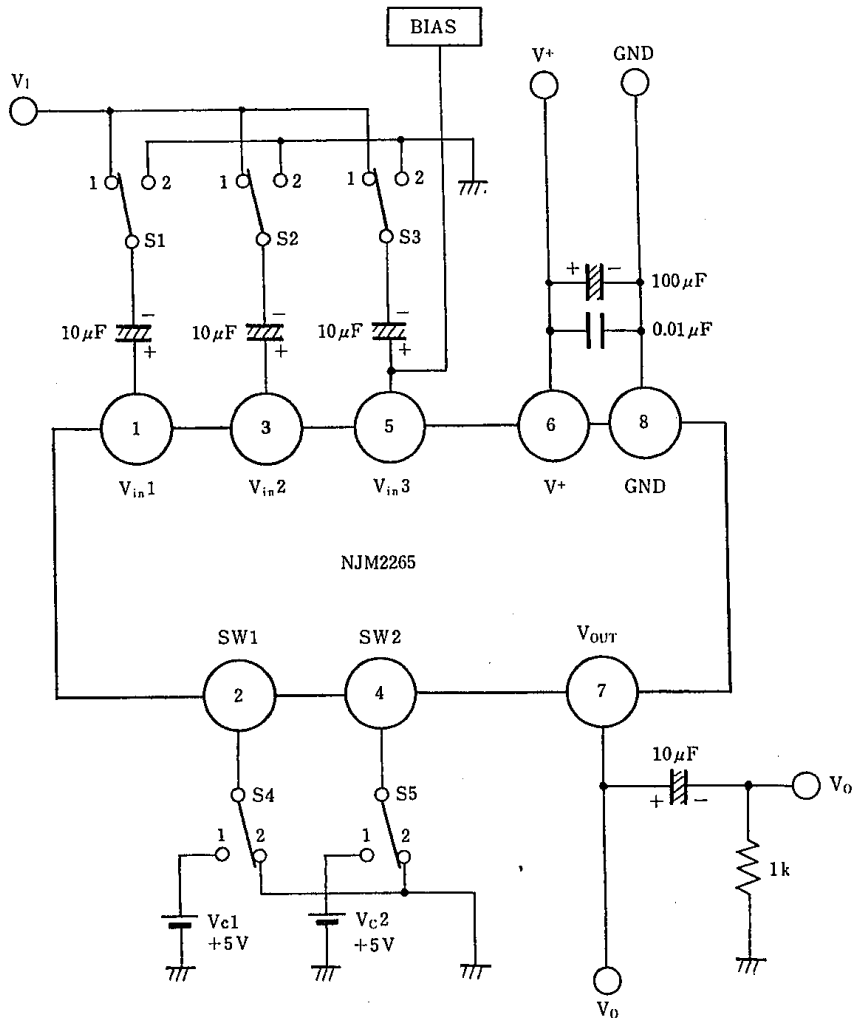
Note 3 The Clamp Input Voltage of Vin 1 and Vin 2 is approximately (2.1×V*)/5 (In case of V*=5V, about 2.1V)

■ SWITCH CONTROL SIGNAL-OUTPUT SIGNAL

SW 1	SW 2	OUTPUT SIGNAL
L	L	Vin1
H	L	Vin2
L/H	H	Vin3



TEST CIRCUIT

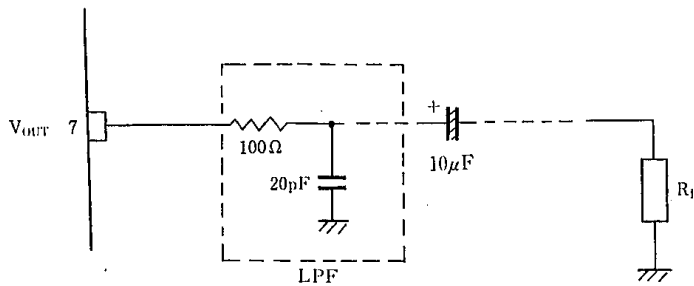


APPLICATION

Oscillation Prevention

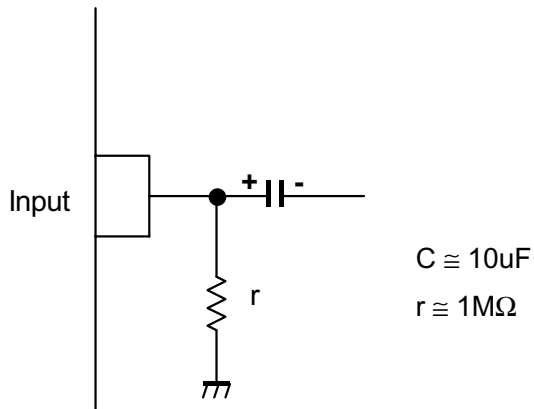
It is much effective to insert LPF (Cutoff Frequency 70MHz)
under light loading conditions ($R_L \gg 1k\Omega$)

This IC requires $1M\Omega$ resistance between INPUT and GND pin for clamp type input since the minute current causes an unstable pin voltage.



■APPLICATION

This IC requires $1\text{M}\Omega$ resistance between INPUT and GND pin for clamp type input since the minute current causes an unstable pin voltage.



This IC requires $0.1\mu\text{F}$ capacitor between INPUT and GND, $1\text{M}\Omega$ resistance between INPUT and GND for clamp type input at mute mode.

