

Full-Swing Input and Output type Dual Operational Amplifier

■ GENERAL DESCRIPTION

NJM2732 is dual operational amplifier with full swing input and output, operate from 1.8V.

Input and Output Full Swing provides wide dynamic range, is from ground to power supply level. In addition to ground sensing applications, NJM2732 enable to be applied to Hi-side sensing applications.

The features are low noise and high output current for battery management, portable audio applications, and others.

■ FEATURES

- Operating Voltage : 1.8 to 6.0V
- Input Full-Swing : $V_{ICM} = 0$ to 5.0V, at $V^+ = 5V$
- Output Full-Swing : $V_{OH} \geq 4.9V / V_{OL} \leq 0.1V$, at $V^+ = 5V, R_L = 20k\Omega$
- Load Drivability : $V_{OH} \geq 4.75V / V_{OL} \leq 0.25V$, at $V^+ = 5V, R_L = 2k\Omega$
- Offset Voltage : 5mV max.
- Slew Rate : 0.4V/ μ s typ.
- Low Input Voltage Noise : 10nV/ \sqrt{Hz} typ.
- Adequate phase margin : $\Phi_M = 75deg.$ typ., at $R_L = 2k\Omega$, voltage follower
- Bipolar Technology
- Package Outline : DMP8/TVSP8

■ PACKAGE OUTLINE



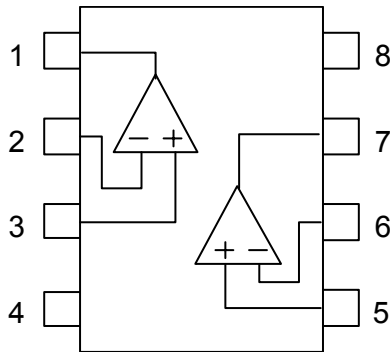
NJM2732M



NJM2732RB1

■ PIN CONFIGURATION

(Top View)



PIN FUNCTION

- 1.A OUTPUT
- 2.A -INPUT
- 3.A +INPUT
- 4.GND
- 5.B +INPUT
- 6.B -INPUT
- 7.B OUTPUT
- 8.V⁺

NJM2732

■ ABSOLUTE MAXIMUM RATINGS

(Ta=25°C)

PARAMETER	SYMBOL	RATINGS	UNIT
Supply Voltage	V ⁺	7.0	V
Differential Input Voltage Range	V _{ID}	±1.0	V
Common Mode Input Voltage Range	V _{IC}	0 ~ 7.0 (Note1)	V
Power Dissipation	P _D	(DMP8) 300 (TVSP8) 320	mW
Operating Temperature Range	T _{opr}	-40~+85	°C
Storage Temperature Range	T _{stg}	-50~+125	°C

(Note1) For supply voltage less than 7V, the absolute maximum input voltage is equal to the supply voltage.

■ ELECTRICAL CHARACTERISTICS (V⁺=5V, Ta=25°C)

●DC CHARACTERISTICS

PARAMETER	SYMBOL	TEST CONDITION	MIN.	TYP.	MAX.	UNIT
Operating Current	I _{CC}	No signal applied	-	580	900	μA
Input Offset Voltage	V _{IO}		-	1	5	mV
Input Bias Current	I _B		-	50	250	nA
Input Offset Current	I _{IO}		-	5	100	nA
Large Signal Voltage Gain	A _V	R _L =2kΩ	60	85	-	dB
Common Mode Rejection Ratio	CMR	CMR+: 2.5V ≤ V _{CM} ≤ 5V CMR-: 0V ≤ V _{CM} ≤ 2.5V (Note2)	55	70	-	dB
Supply Voltage Rejection Ratio	SVR	V ⁺ /V = ±2.0V ~ ±3.0V	70	85	-	dB
Operating Current1	V _{OH1}	R _L =20kΩ	4.9	4.95	-	V
	V _{OL1}	R _L =20kΩ	-	0.05	0.1	V
Operating Current2	V _{OH2}	R _L =2kΩ	4.75	4.85	-	V
	V _{OL2}	R _L =2kΩ	-	0.15	0.25	V
Input Common Mode Voltage Range	V _{ICM}	CMR ≥ 55dB	0	-	5	V

(Note2) CMR is represented by either CMR+ or CMR- has lower value.

CMR is measured with 2.5V ≤ V_{CM} ≤ 5.0 and CMR- is measured with 0V ≤ V_{CM} ≤ 2.5V.

●AC CHARACTERISTICS

PARAMETER	SYMBOL	TEST CONDITION	MIN.	TYP.	MAX.	UNIT
Unity Gain Bandwidth	GB	R _L =2kΩ	-	1	-	MHz
Phase Margin	Φ _M	R _L =2kΩ	-	75	-	Deg
Equivalent Input Noise Voltage	V _{NI}	f _L =1kHz	-	10	-	nV/√Hz

●TRANSIENT CHARACTERISTICS

PARAMETER	SYMBOL	TEST CONDITION	MIN.	TYP.	MAX.	UNIT
Slew Rate	SR	R _L =2kΩ	-	0.4	-	V/μs

■ **ELECTRICAL CHARACTERISTICS** ($V^+ = 3V, T_a = 25^\circ C$)

● **DC CHARACTERISTICS**

PARAMETER	SYMBOL	TEST CONDITION	MIN.	TYP.	MAX.	UNIT
Operating Current	I_{CC}	No signal applied	-	510	880	μA
Input Offset Voltage	V_{IO}		-	1	5	mV
Input Bias Current	I_B		-	50	250	nA
Input Offset Current	I_{IO}		-	5	100	nA
Large Signal Voltage Gain	A_V	$R_L = 2k\Omega$	60	84	-	dB
Common Mode Rejection Ratio	CMR	CMR+: $1.5V \leq V_{CM} \leq 3V$ CMR-: $0V \leq V_{CM} \leq 1.5V$ (Note3)	48	63	-	dB
Supply Voltage Rejection Ratio	SVR	$V^+/V^- = \pm 1.2V \sim \pm 2.0V$	68	83	-	dB
Operating Current1	V_{OH1}	$R_L = 20k\Omega$	2.9	2.95	-	V
	V_{OL1}	$R_L = 20k\Omega$	-	0.05	0.1	V
Operating Current2	V_{OH2}	$R_L = 2k\Omega$	2.7	2.85	-	V
	V_{OL2}	$R_L = 2k\Omega$	-	0.15	0.25	V
Input Common Mode Voltage Range	V_{ICM}	CMR $\geq 48dB$	0	-	3	V

(Note3) CMR is represented by either CMR+ or CMR- has lower value.

CMR is measured with $1.5V \leq V_{CM} \leq 3.0$ and CMR- is measured with $0V \leq V_{CM} \leq 1.5V$.

● **AC CHARACTERISTICS**

PARAMETER	SYMBOL	TEST CONDITION	MIN.	TYP.	MAX.	UNIT
Unity Gain Bandwidth	GB	$R_L = 2k\Omega$	-	1	-	MHz
Phase Margin	Φ_M	$R_L = 2k\Omega$	-	75	-	Deg
Equivalent Input Noise Voltage	V_{NI}	$f = 1kHz$	-	10	-	nV/ \sqrt{Hz}

● **TRANSIENT CHARACTERISTICS**

PARAMETER	SYMBOL	TEST CONDITION	MIN.	TYP.	MAX.	UNIT
Slew Rate	SR	$R_L = 2k\Omega$	-	0.35	-	V/ μs

NJM2732

■ ELECTRICAL CHARACTERISTICS($V^+=1.8V, T_a=25^\circ C$)

●DC CHARACTERISTICS

PARAMETER	SYMBOL	TEST CONDITION	MIN.	TYP.	MAX.	UNIT
Operating Current	I_{CC}	No signal applied	-	460	800	μA
Input Offset Voltage	V_{IO}		-	1	5	mV
Input Bias Current	I_B		-	50	250	nA
Input Offset Current	I_{IO}		-	5	100	nA
Large Signal Voltage Gain	A_V	$R_L=2k\Omega$	60	83	-	dB
Common Mode Rejection Ratio	CMR	CMR+: $0.9V \leq V_{CM} \leq 1.8V$ CMR-: $0V \leq V_{CM} \leq 0.9V$ (Note4)	48	55	-	dB
Supply Voltage Rejection Ratio	SVR	$V^+/V = \pm 1.2V \sim \pm 2.0V$	65	80	-	dB
Operating Current1	V_{OH1}	$R_L=20k\Omega$	1.7	1.75	-	V
	V_{OL1}	$R_L=20k\Omega$	-	0.05	0.1	V
Operating Current2	V_{OH2}	$R_L=2k\Omega$	1.55	1.65	-	V
	V_{OL2}	$R_L=2k\Omega$	-	0.15	0.25	V
Input Common Mode Voltage Range	V_{ICM}	CMR $\geq 40dB$	0	-	1.8	V

(Note4) CMR is represented by either CMR+ or CMR-has lower value.

CMR is measured with $0.9V \leq V_{CM} \leq 1.8$ and CMR- is measured with $0V \leq V_{CM} \leq 0.9V$.

●AC CHARACTERISTICS

PARAMETER	SYMBOL	TEST CONDITION	MIN.	TYP.	MAX.	UNIT
Unity Gain Bandwidth	GB	$R_L=2k\Omega$	-	1	-	MHz
Phase Margin	Φ_M	$R_L=2k\Omega$	-	75	-	Deg
Equivalent Input Noise Voltage	V_{NI}	$f=1kHz$	-	10	-	nV/ \sqrt{Hz}

●TRANSIENT CHARACTERISTICS

PARAMETER	SYMBOL	TEST CONDITION	MIN.	TYP.	MAX.	UNIT
Slew Rate	SR	$R_L=2k\Omega$	-	0.3	-	V/ μs

[CAUTION]

The specifications on this databook are only given for information, without any guarantee as regards either mistakes or omissions. The application circuits in this databook are described only to show representative usages of the product and not intended for the guarantee or permission of any right including the industrial rights.