



AS431L

Low Voltage Precision Adjustable Shunt Regulator

FEATURES

- **Tight Tolerance**..... **0.5% @ 10mA**
- **Wide Operating Range**..... **1mA to 100mA**
- **Low Extended Temperature Range**..... **0°C to 105°C**
- **Low Temperature Coefficient** **30 ppm/°C**
- **Offered in TO-92, SOT-89, SOT-23-3 and SO-8**
- **Improved replacement in performance of AS431 & TL431**
- **Low Cost Solution**

APPLICATIONS

- Battery Operating Equipment
- Adjustable Supplies
- Switching Power Supplies
- Error Amplifiers
- Single Supply Amplifier
- Monitors/ VCR/ TV
- Personal Computers

PRODUCT DESCRIPTION

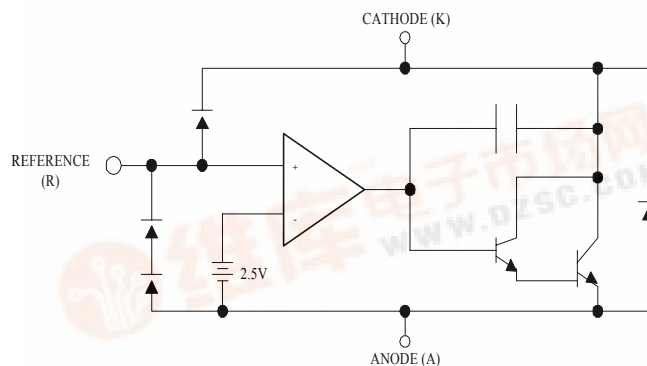
The AS431L is a 3-terminal Adjustable Shunt Voltage Regulator providing a highly accurate bandgap reference. AS431L acts as an open-loop error amplifier with a 2.5V temperature compensation reference. The AS431L thermal stability, wide operating current (100mA) and temperature range (0°C to 105°C) makes it suitable for all variety of applications that are looking for a low cost solution with high performance.

The output voltage may be adjusted to any value between V_{REF} and 20V with 2 external resistors. The AS431L is operating in full industrial temperature range of 0°C to 105°C. The AS431L is available in TO-92, SOT-89, SOT-23-3 and SO-8 packages.

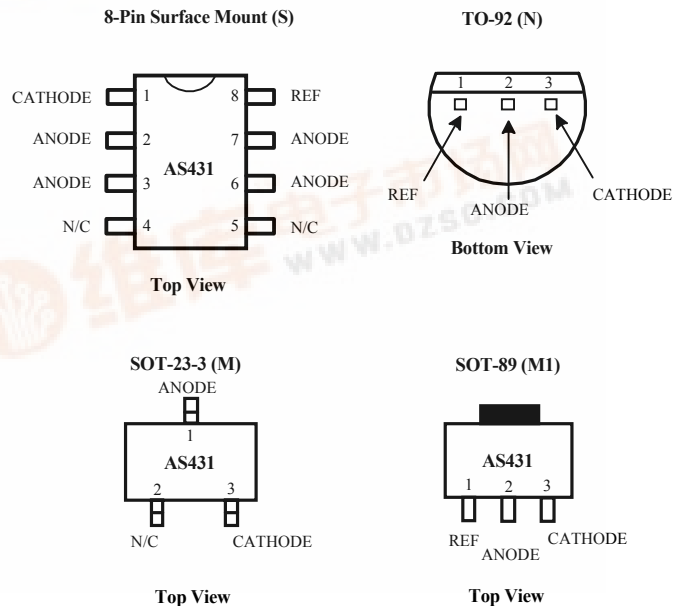
ORDERING INFORMATION

Part Number	Temperature Range	Package Type
AS431LXN	0°C to 105°C	TO-92
AS431LXM1	0°C to 105°C	SOT-89
AS431LXS	0°C to 105°C	SO-8
AS431LXM	0°C to 105°C	SOT-23-3

X= Tolerance (A = 0.5%; Blank = 1%; C = 2%)



PIN CONNECTIONS



ABSOLUTE MAXIMUM RATINGS

Parameter	Symbol	Rating	Units
Cathode-Anode Reverse Breakdown	V_{KA}	30	V
Anode-Cathode Forward Current	I_{AK}	1	A
Operating Cathode Current	I_{KA}	150	mA
Reference Input Current	I_{REF}	10	mA
Continuous Power Dissipation at 25°C	P_D		
TO-92		775	mW
SOT-23		200	mW
SOIC-8		750	mW
SOT-89		1000	mW
Junction Temperature	T_J	150	°C
Storage Temperature	T_{STG}	-65 to +150	°C
Lead Temperature (Soldering 10 sec.)	T_L	300	°C

Stresses greater than those listed under ABSOLUTE MAXIMUM RATINGS may cause permanent damage to the device. This is a stress rating only and functional operation of the device at these or any other conditions above those indicated in the operational sections of this specification is not implied. Exposure to absolute maximum rating conditions for extended periods may affect reliability.

RECOMMENDED CONDITIONS

Parameter	Symbol	Rating	Unit
Cathode Voltage	V_{KA}	V_{REF} to 20	V
Cathode Current	I_K	10	mA

TYPICAL THERMAL RESISTANCE

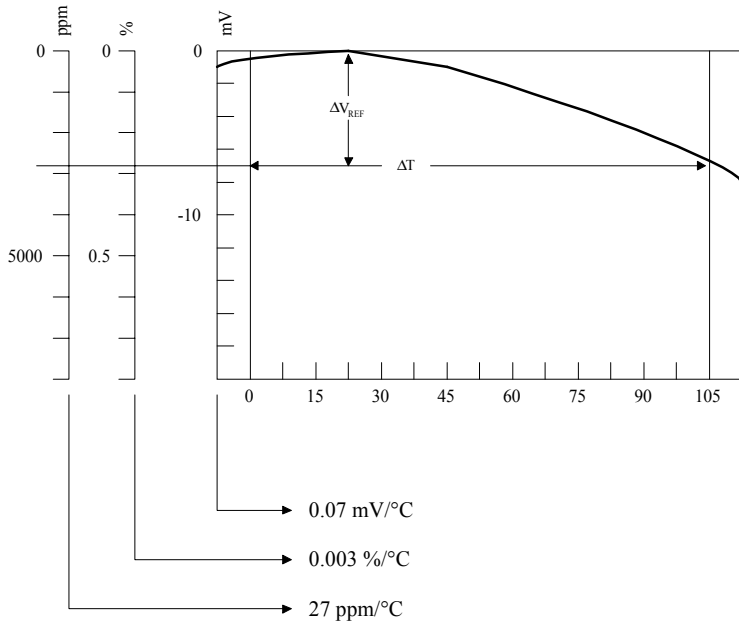
Package Type	θ_{JA}	θ_{JC}	Typical Derating
TO-92	160°C/W	80°C/W	6.3 mW/°C
SOT-23	575°C/W	150°C/W	1.7 mW/°C
SOIC-8	175°C/W	45°C/W	5.7 mW/°C
SOT-89	110°C/W	8°C/W	9.1 mW/°C

ELECTRICAL CHARACTERISTICS at 25°C $I_K @ 10mA$ $V_K = V_{ref}$, unless otherwise specified.

Parameter	Symbol	Test Conditions	AS431LA			AS431L			AS431LC			Unit
			Min	Typ	Max	Min	Typ	Max	Min	Typ	Max	
Reference Voltage	V_{REF}	$T_A = 25^\circ C$ TC = 1	2.490	2.503	2.515	2.470	2.495	2.520	2.445	2.495	2.545	V
Ratio of Change in V_{REF} to Cathode Voltage	$\frac{\Delta V_{REF}}{\Delta V_K}$	V_{REF} to 10V 10V to 20V TC = 2	-2.7 -2	-1.0 -0.4	0.3	-2.7 -2	-1.0 -0.4	0.3	-2.7 -2	-1.0 -0.4	0.3	mV/V
Reference Input Current	I_{REF}	TC = 2		0.7	4		0.7	4		0.7	4	μA
I_{REF} Temp Deviation	ΔI_{REF}	Over Temp. TC = 2		0.4	1.2		0.4	1.2		0.4	1.2	μA
Min I_K for Regulation	$I_{K(MIN)}$	TC = 1		0.4	1		0.4	1		0.4	1	mA
Off State Leakage	$I_{K(OFF)}$	$V_{REF} = 0V$, $V_{KA} = 20V$ TC = 3		0.04	1		0.04	1		0.04	1	μA
Dynamic Output Impedance	Z_{KA}	TC = 1		0.15	0.5		0.15	0.5		0.15	0.5	Ω

TC = Test Circuit

*CALCULATING AVERAGE TEMPERATURE COEFFICIENT (TC)

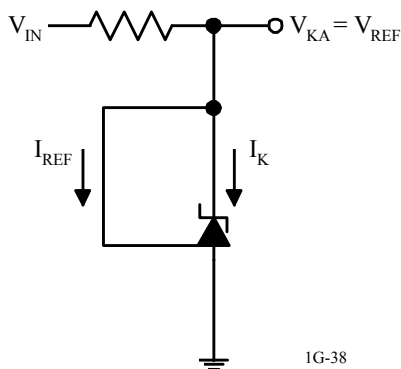


$$\bullet \text{ TC in mV/}^\circ\text{C} = \frac{\Delta V_{\text{REF}} (\text{mV})}{\Delta T_A}$$

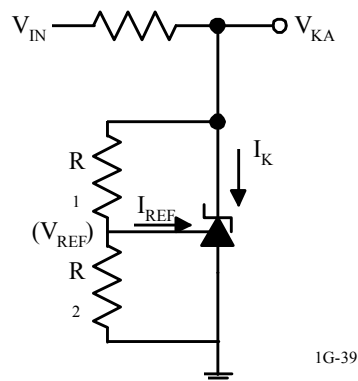
$$\bullet \text{ TC in mV/}^\circ\text{C} = \frac{\left(\frac{\Delta V_{\text{REF}}}{\Delta V_{\text{REF}} \text{ at } 25^\circ\text{C}} \right) \times 100}{\Delta T_A}$$

$$\bullet \text{ TC in ppm/}^\circ\text{C} = \frac{\left(\frac{\Delta V_{\text{REF}}}{\Delta V_{\text{REF}} \text{ at } 25^\circ\text{C}} \right) \times 10^6}{\Delta T_A}$$

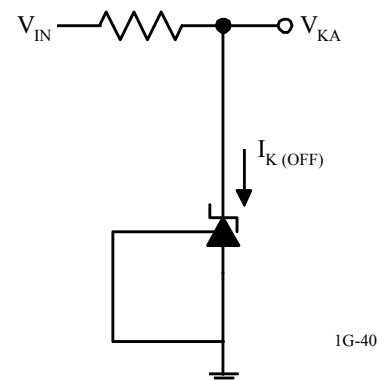
TEST CIRCUITS



TEST CIRCUIT 1



TEST CIRCUIT 2



TEST CIRCUIT 3

TYPICAL PERFORMANCE CURVES

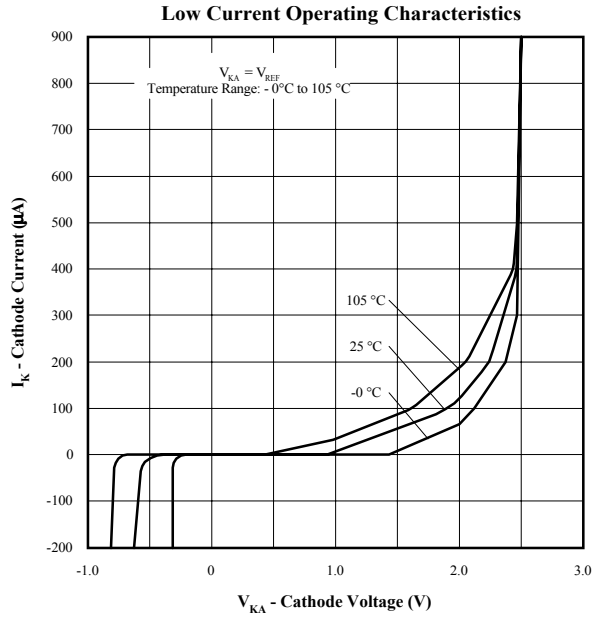


Figure 2

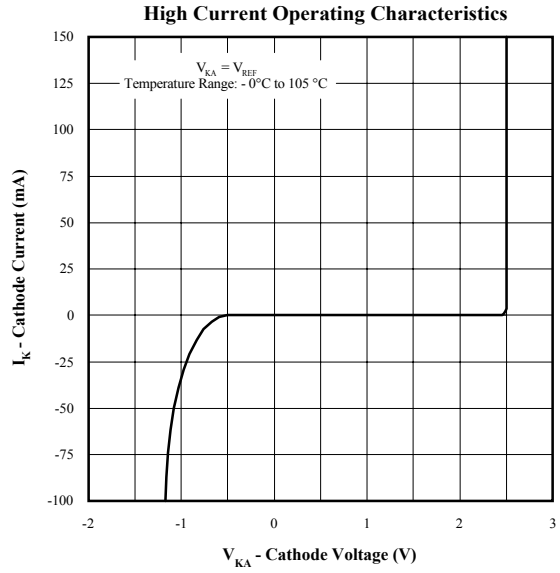


Figure 3

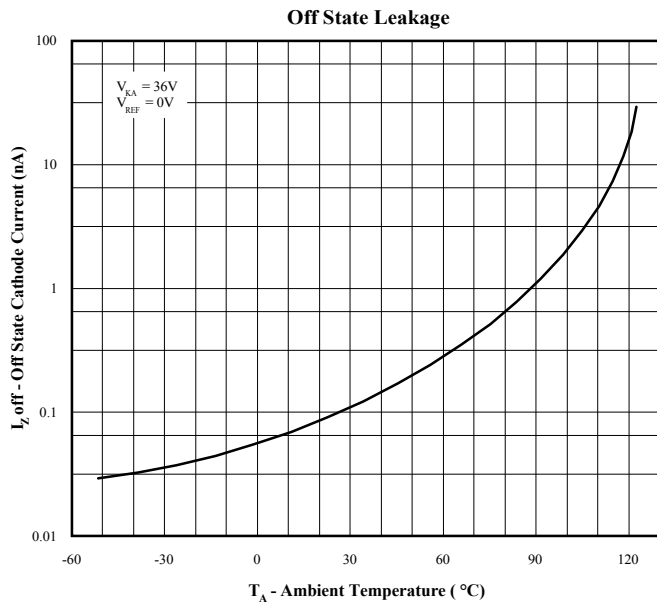


Figure 4

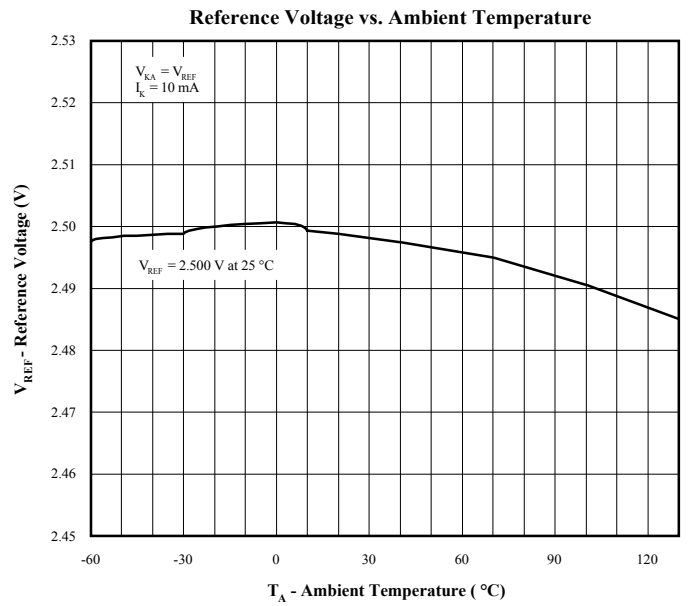


Figure 5

TYPICAL PERFORMANCE CURVES

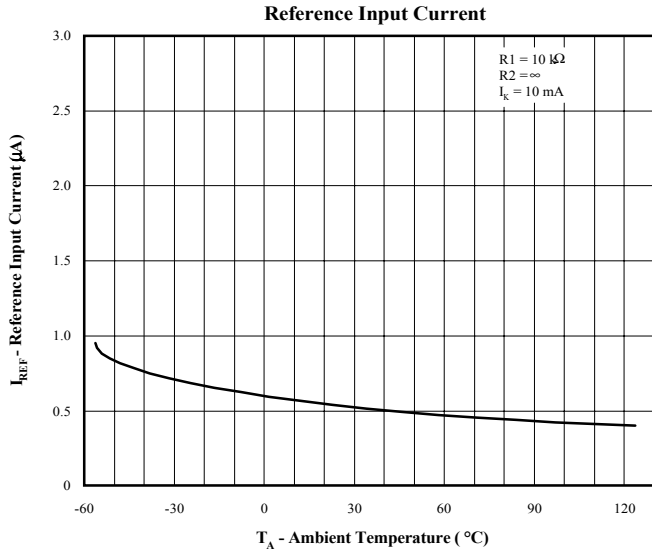


Figure 6

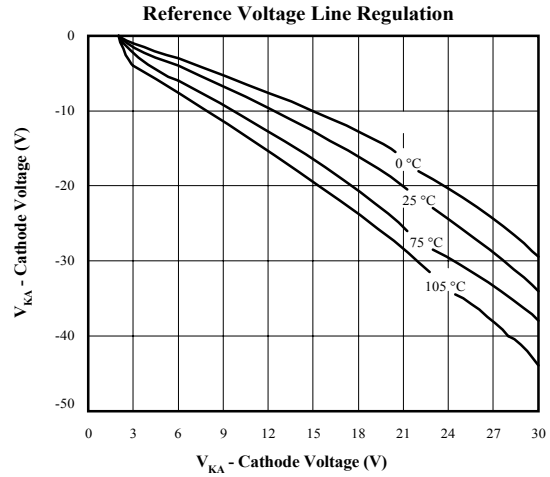


Figure 7

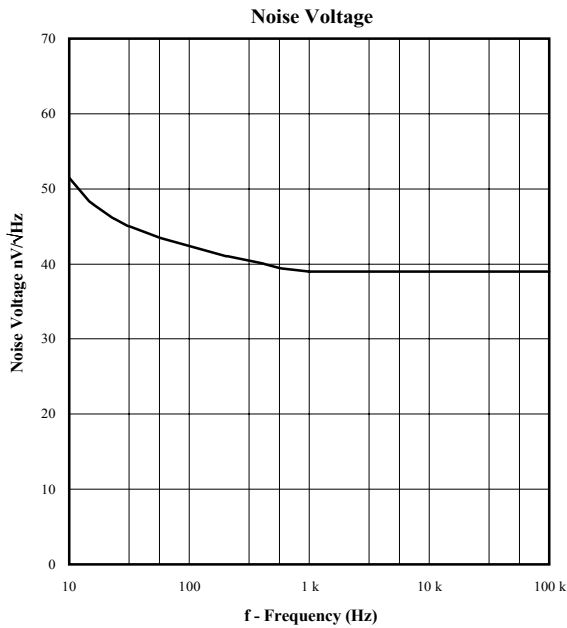


Figure 8

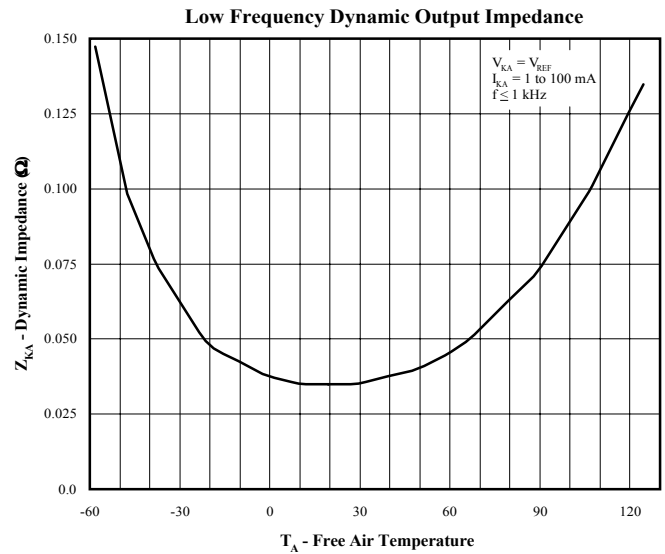


Figure 9

TYPICAL PERFORMANCE CURVES

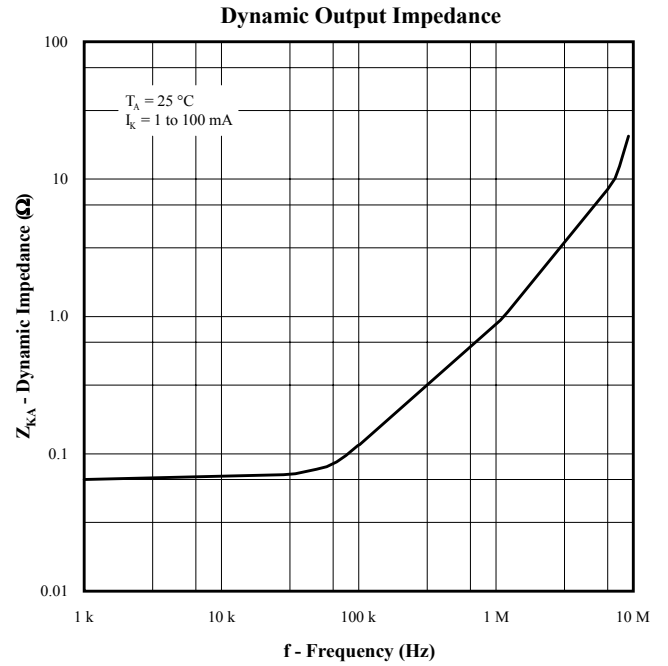


Figure 10

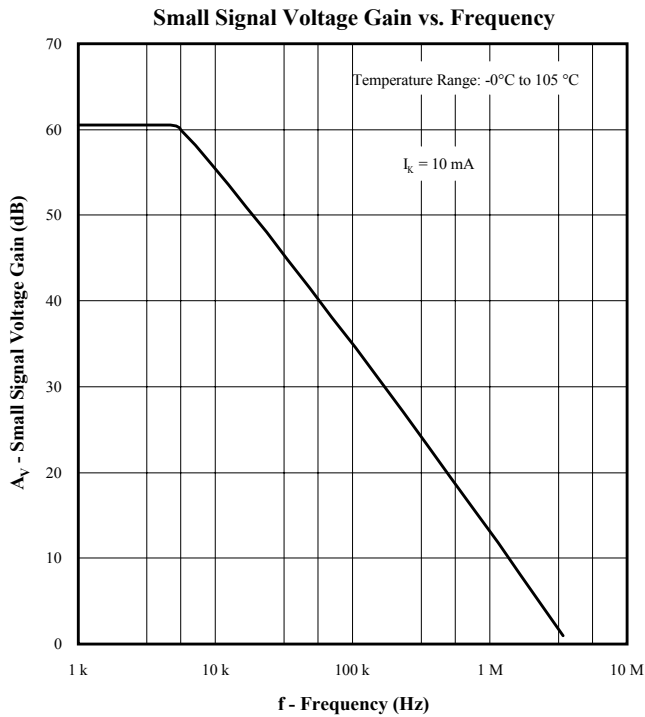
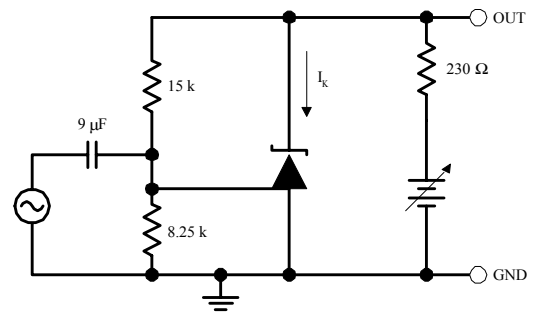


Figure 11



TYPICAL PERFORMANCE CURVES

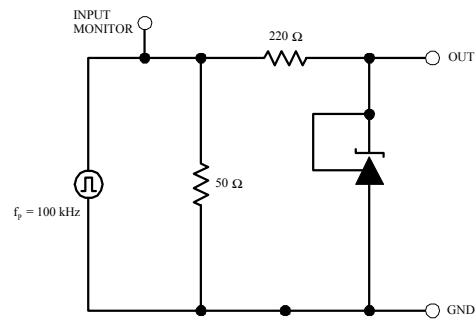
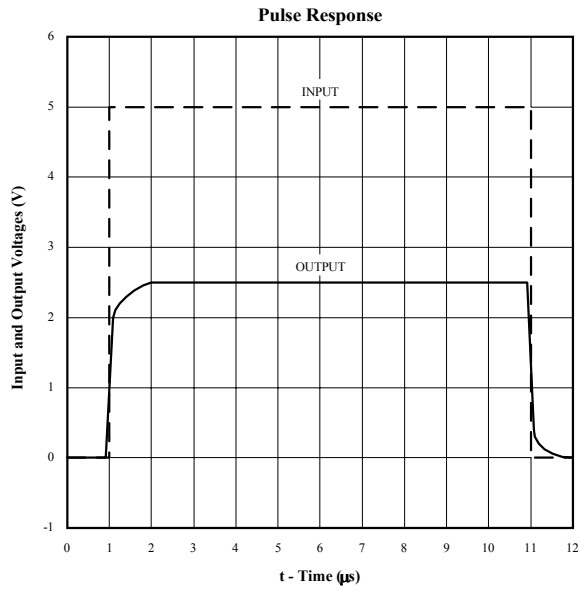


Figure 12

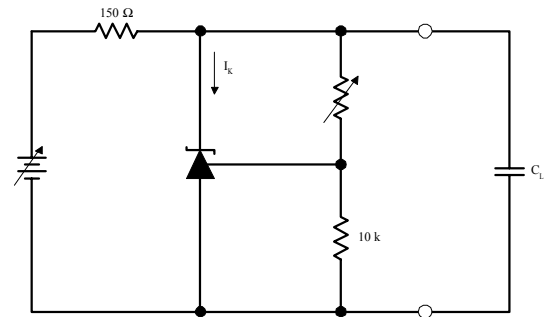
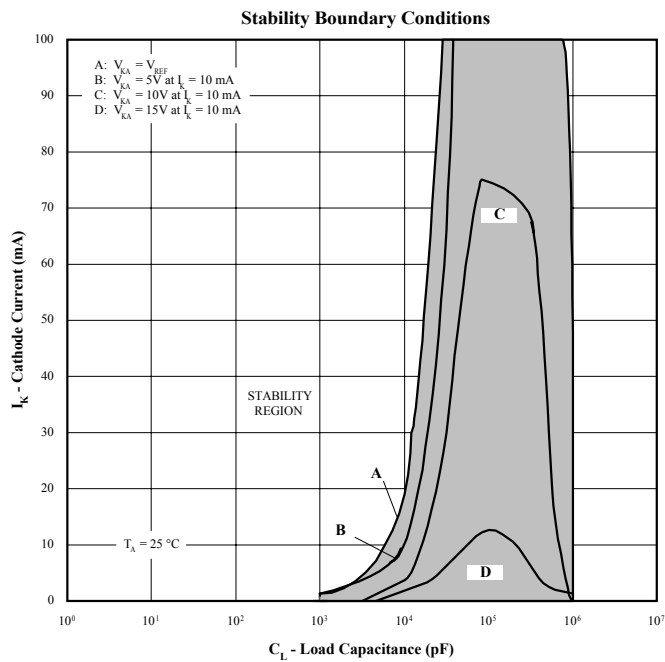


Figure 13