



# Six-Input Channel Analog Front End

## Preliminary Technical Data

## AD73560

### FEATURES

#### AFE PERFORMANCE

- Six 16-Bit A/D Converters
- Programmable Input Sample Rate
- Simultaneous Sampling
- 76 dB SNR
- 64 kS/s Maximum Sample Rate
- 83 dB Crosstalk
- Low Group Delay (25 ms Typ per ADC Channel)
- Programmable Input Gain
- Single Supply Operation
- On-Chip Reference

#### DSP PERFORMANCE

- 19ns Instruction Cycle Time @3.3 V, 52 MIPS Sustained Performance
- Single-Cycle Instruction Execution
- Single-Cycle Context Switch
- 3-Bus Architecture Allows Dual Operand Fetches in Every Instruction Cycle
- Multifunction Instructions
- Power-Down Mode Featuring Low CMOS Standby Power Dissipation with 400 Cycle Recovery from Power-Down Condition
- Low Power Dissipation in Idle Mode

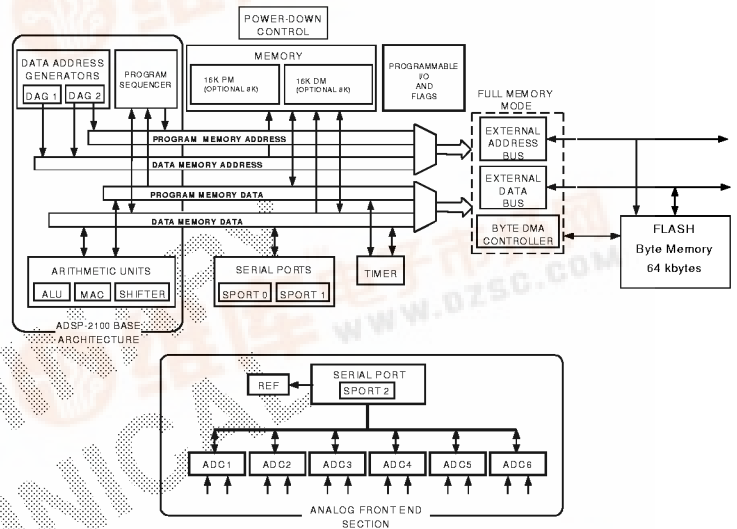
#### FLASH MEMORY

- 64Kbytes
- Writable in pages of 128 bytes
- Fast Page Write Cycle of 5ms (typical)

#### GENERAL DESCRIPTION

The AD73560 is a six-input channel analog front-end processor for general purpose applications including industrial power metering or multichannel analog inputs. It features six 16-bit A/D conversion channels each of which provide 76 dB signal-to-noise ratio over a DC to 4KHz signal bandwidth. Each channel also features a programmable input gain amplifier (PGA) with gain settings in eight stages from 0 dB to 38 dB. The AD73560 is particularly suitable for industrial power metering as each channel samples synchronously, ensuring that there is no (phase) delay between the conversions. The AD73560 also features low group delay conversions on all channels.

### FUNCTIONAL BLOCK DIAGRAM



An on-chip reference voltage of 2.5V is included. The sampling rate of the device is programmable with four separate settings offering 64 kHz, 32 kHz, 16 kHz and 8 kHz sampling rates (from a master clock of 16.384 MHz) while the serial port (SPORT2) allows easy expansion of the number of input channels by cascading extra AFE external to the AD73560.

The AD73560's DSP engine combines the ADSP-2100 family base architecture (three computational units, data address generators and a program sequencer) with two serial ports, a 16-bit internal DMA port, a byte DMA port, a programmable timer, Flag I/O, extensive interrupt capabilities and on-chip program and data memory. The AD73560-80 integrates 80K bytes of on-chip memory configured as 16K words (24-bit) of program RAM and 16 K (16-bit) of data RAM. The AD73560-40 integrates 40K bytes of on-chip memory configured as 8K words (24-bit) of program RAM and 8K (16-bit) of data RAM. Power-down circuitry is also provided to meet the low power needs of battery operated portable equipment. The AD73560 is available in a 119-ball PBGA package.

# AD73560—SPECIFICATIONS

(AVDD = +3V ± 10%; DVDD = +3V ± 10%; DGND = AGND = 0 V,  $f_{MCLK} = 16.384$  MHz,  $f_{SCLK} = 8.192$  MHz,  $f_S = 8$  kHz;  $T_A = T_{MIN}$  to  $T_{MAX}$ , unless otherwise noted.)

| Parameter   | AD73560A |           |                | Units        | Test Conditions/Comments  |
|---|----------|-----------|----------------|--------------|---|
|   | Min      | Typ       | Max            |              |   |
| <b>REFERENCE</b>                                  |          |           |                |              |   |
| <b>REFCAP</b>                                     |          |           |                |              |   |
| Absolute Voltage, $V_{REFCAP}$                    | 1.125    | 1.25      | 1.375          | V            | 0.1 $\mu$ F Capacitor Required from REFCAP to AGND2                       |
| REFCAP TC   |          | 50        |                | ppm/°C       |   |
| <b>REFOUT</b>                                     |          |           |                |              |   |
| Typical Output Impedance                          |          | 130       |                | $\Omega$     | Unloaded  |
| Absolute Voltage, $V_{REFOUT}$                    | 1.125    | 1.25      | 1.375          | V            |   |
| Minimum Load Resistance                           | 1        |           |                | k $\Omega$   |   |
| Maximum Load Capacitance                          |          |           | 100            | pF           |   |
| <b>ADC SPECIFICATIONS</b>                         |          |           |                |              |   |
| Maximum Input Range at $V_{IN}^{2,3}$             |          |           | 1.578<br>–2.85 | V p-p<br>dBm | 5VEN = 0, Measured Differentially   |
| Nominal Reference Level at $V_{IN}$<br>(0 dBm0)   |          | 1.0954    | –6.02          | V p-p<br>dBm | 5VEN = 0, Measured Differentially   |
| <b>Absolute Gain</b>                              |          |           |                |              |   |
| PGA = 0 dB  | –0.8     |           | +0.8           | dB           | 1.0 kHz   |
| PGA = 38 dB                                       | –0.8     |           | +0.8           | dB           | 1.0 kHz   |
| Gain Tracking Error                               |          | $\pm 0.1$ |                | dB           | 1.0 kHz, +3 dBm0 to –50 dBm0  |
| <b>Signal to (Noise + Distortion)</b>             |          |           |                |              |   |
| PGA = 0 dB  | 73       | 77        |                | dB           | 0 Hz to $f_S/2$ ; $f_S = 8$ kHz   |
| PGA = 38 dB                                       |          | 62        |                | dB           | 0 Hz to 4 kHz; $f_S = 64$ kHz   |
| <b>Total Harmonic Distortion</b>                  |          |           |                |              |   |
| PGA = 0 dB  |          | –83       | –76            | dB           | PGA = 0 dB  |
| PGA = 38 dB                                       |          | –70       |                | dB           |   |
| <b>Intermodulation Distortion</b>                 |          |           |                |              |   |
| Idle Channel Noise                                |          | –70       |                | dB           | PGA = 0 dB  |
| Crosstalk ADC-to-ADC                              |          | –83       |                | dB           | ADC1 Input Signal Level: 1.0 kHz<br>ADC2 Input at Idle                    |
| DC Offset   | –30      | +10       | +45            | mV           | PGA = 0 dB  |
| Power Supply Rejection                            |          | –55       |                | dB           | Input Signal Level at AVDD and DVDD<br>Pins 1.0 kHz, 100 mV p-p Sine Wave |
| <b>Group Delay<sup>4,5</sup></b>                  |          |           |                |              |   |
|   |          | 25        |                | $\mu$ s      | 64 kHz Output Sample Rate   |
|   |          | 50        |                | $\mu$ s      | 32 kHz Output Sample Rate   |
|   |          | 95        |                | $\mu$ s      | 16 kHz Output Sample Rate   |
|   |          | 190       |                | $\mu$ s      | 8 kHz Output Sample Rate  |
| Input Resistance at $V_{IN}^{2,4}$                |          | 25        |                | k $\Omega^6$ | DMCLK = 16.384 MHz  |
| <b>FREQUENCY RESPONSE</b>                         |          |           |                |              |   |
| <b>(ADC)<sup>7</sup> Typical Output</b>           |          |           |                |              |   |
| <b>Frequency (Normalized to <math>f_S</math>)</b> |          |           |                |              |   |
| 0   |          | 0         |                | dB           | dB  |
| 0.03125   |          | –0.1      |                | dB           |   |
| 0.0625  |          | –0.25     |                | dB           |   |
| 0.125   |          | –0.6      |                | dB           |   |
| 0.1875  |          | –1.4      |                | dB           |   |
| 0.25  |          | –2.8      |                | dB           |   |
| 0.3125  |          | –4.5      |                | dB           |   |
| 0.375   |          | –7.0      |                | dB           |   |
| 0.4375  |          | –9.5      |                | dB           |   |
| > 0.5   |          | < –12.5   |                | dB           |   |

| Parameter                             | AD73560A              |     |                 | Units | Test Conditions/Comments   |
|---------------------------------------|-----------------------|-----|-----------------|-------|----------------------------|
|                                       | Min                   | Typ | Max             |       |                            |
| <b>LOGIC INPUTS</b>                   |                       |     |                 |       |                            |
| V <sub>INH</sub> , Input High Voltage | V <sub>DD</sub> - 0.8 |     | V <sub>DD</sub> | V     |                            |
| V <sub>INL</sub> , Input Low Voltage  | 0                     |     | 0.8             | V     |                            |
| I <sub>IH</sub> , Input Current       |                       |     | 10              | μA    |                            |
| C <sub>IN</sub> , Input Capacitance   |                       |     | 10              | pF    |                            |
| <b>LOGIC OUTPUT</b>                   |                       |     |                 |       |                            |
| V <sub>OH</sub> , Output High Voltage | V <sub>DD</sub> - 0.4 |     | V <sub>DD</sub> | V     | I <sub>OUT1</sub> - 100 μA |
| V <sub>OL</sub> , Output Low Voltage  | 0                     |     | 0.4             | V     | I <sub>OUT1</sub> - 100 μA |
| Three-State Leakage Current           | -10                   |     | +10             | μA    |                            |
| <b>POWER SUPPLIES</b>                 |                       |     |                 |       |                            |
| AVDD1, AVDD2                          | 2.7                   |     | 3.3             | V     |                            |
| DVDD                                  | 2.7                   |     | 3.3             | V     |                            |
| I <sub>DD</sub> <sup>8</sup>          |                       |     |                 |       | See Table I                |

## NOTES

<sup>1</sup>Operating temperature range is as follows: -40°C to +85°C. Therefore, T<sub>MIN</sub> = -40°C and T<sub>MAX</sub> = +85°C.

<sup>2</sup>Test conditions: Input PGA set for 0 dB gain (unless otherwise noted).

<sup>3</sup>At input to sigma-delta modulator of ADC.

<sup>4</sup>Guaranteed by design.

<sup>5</sup>Overall group delay will be affected by the sample rate and the external digital filtering.

<sup>6</sup>The ADC's input impedance is inversely proportional to DMCLK and is approximated by:  $(4 \times 10^{11}) / \text{DMCLK}$ .

<sup>7</sup>Frequency response of ADC measured with input at audio reference level (the input level that produces an output level of -10 dBm0), with 38 dB preamplifier bypassed and input gain of 0 dB.

<sup>8</sup>Test Conditions: no load on digital inputs, analog inputs ac coupled to ground.

Specifications subject to change without notice.

**Table I. AFE Section Current Summary (AVDD = DVDD = +3.3 V)**

| Conditions                   | Analog Current | Total Digital Current |      |    | MCLK ON | Comments                                      |
|------------------------------|----------------|-----------------------|------|----|---------|---|
|                              |                | Current (Max)         | SE   | SE |         |   |
| ADCs Only On                 | 12             | 10                    | 26.5 | 1  | YES     | REFOUT Disabled                               |
| REFCAP Only On               | 0.75           | 0.04                  | 1.0  | 0  | NO      | REFOUT Disabled                               |
| REFCAP and<br>REFOUT Only On | 3.3            | 0.04                  | 4.5  | 0  | NO      |   |
| All Sections Off             | 0.01           | 1.2                   | 1.5  | 0  | YES     | MCLK Active Levels Equal to 0 V and DVDD      |
| All Sections Off             | 0.01           | 0.03                  | 0.1  | 0  | NO      | Digital Inputs Static and Equal to 0V or DVDD |

The above values are in mA and are typical values unless otherwise noted. MCLK = 16.384 MHz; SCLK = 16.384 MHz.

# AD73560—SPECIFICATIONS

(AVDD = DVDD = +3.0V to 3.6V; DGND = AGND = 0 V,  $f_{MCLK} = 16.384$  MHz,  $f_{SAMP} = 64$  kHz;  $T_A = T_{MIN}$  to  $T_{MAX}$ , unless otherwise noted)

| PARAMETER          | Test Conditions                                | Min   | Typ            | Max | Unit    |
|--------------------|--|---|----------------|-----|---------|
| <b>DSP SECTION</b> |  |   |                |     |         |
| $V_{IH}$           | Hi-Level Input Voltage <sup>1, 2</sup>         | @ $V_{DD} = \max$   | 2.0            |     | V       |
| $V_{IH}$           | Hi-Level CLKIN Voltage                         | @ $V_{DD} = \max$   | 2.2            |     | V       |
| $V_{IL}$           | Lo-Level Input Voltage <sup>1, 3</sup>         | @ $V_{DD} = \min$   |                | 0.8 | V       |
| $V_{OH}$           | Hi-Level Output Voltage <sup>1, 4, 5</sup>     | @ $V_{DD} = \min$<br>$I_{OH} = -0.5$ mA                             | 2.4            |     | V       |
| $V_{OL}$           | Lo-Level Output Voltage <sup>1, 4, 5</sup>     | @ $V_{DD} = \min$<br>$I_{OH} = -100$ $\mu$ A <sup>6</sup>           | $V_{DD} - 0.3$ |     | V       |
| $I_{IH}$           | Hi-Level Input Current <sup>3</sup>            | @ $V_{DD} = \max$<br>$V_{IN} = V_{DD} \max$                         |                | 10  | $\mu$ A |
| $I_{IL}$           | Lo-Level Input Current <sup>3</sup>            | @ $V_{DD} = \max$<br>$V_{IN} = 0$ V                                 |                | 10  | $\mu$ A |
| $I_{OZH}$          | Three-State Leakage Current <sup>7</sup>       | @ $V_{DD} = \max$<br>$V_{IN} = V_{DD} \max$ <sup>8</sup>            |                | 10  | $\mu$ A |
| $I_{OZL}$          | Three-State Leakage Current <sup>7</sup>       | @ $V_{DD} = \max$<br>$V_{IN} = 0$ V <sup>8</sup>                    |                | 10  | $\mu$ A |
| $I_{DD}$           | Supply Current (Idle) <sup>9</sup>             | @ $V_{DD} = 3.3$<br>$t_{CK} = 19$ ns <sup>10</sup>                  | 10             |     | mA      |
|                    |  | $t_{CK} = 25$ ns <sup>10</sup>                                      | 8              |     | mA      |
|                    |  | $t_{CK} = 30$ ns <sup>10</sup>                                      | 7              |     | mA      |
| $I_{DD}$           | Supply Current (Dynamic) <sup>11</sup>         | @ $V_{DD} = 3.3$<br>$T_{AMB} = +25^\circ$ C                         |                |     |         |
|                    |  | $t_{CK} = 19$ ns <sup>10</sup>                                      | 51             |     | mA      |
|                    |  | $t_{CK} = 25$ ns <sup>10</sup>                                      | 41             |     | mA      |
|                    |  | $t_{CK} = 30$ ns <sup>10</sup>                                      | 34             |     | mA      |
| $C_I$              | Input Pin Capacitance <sup>3, 6, 12</sup>      | @ $V_{IN} = 2.5$ V<br>$f_{IN} = 1.0$ MHz<br>$T_{AMB} = +25^\circ$ C |                |     |         |
| $C_O$              | Output Pin Capacitance <sup>6, 7, 12, 13</sup> | @ $V_{IN} = 2.5$ V<br>$f_{IN} = 1.0$ MHz<br>$T_{AMB} = +25^\circ$ C |                | 8   | pF      |
|                    |  |   |                | 8   | pF      |

## NOTES

<sup>1</sup>Bidirectional pins: D0–D23, RFS0, RFS1, SCLK0, SCLK1, TFS0, TFS1, A1–A13, PF0–PF7.

<sup>2</sup>Input only pins: RESET, BR, DR0, DR1, PWD.

<sup>3</sup>Input only pins: CLKIN, RESET, BR, DR0, DR1, PWD.

<sup>4</sup>Output pins: BG, PMS, DMS, BMS, IOMS, CMS, RD, WR, PWDACK, A0, DT0, DT1, CLKOUT, FL2–0, BGH.

<sup>5</sup>Although specified for TTL outputs, all AD73560 outputs are CMOS-compatible and will drive to  $V_{DD}$  and GND, assuming no dc loads.

<sup>6</sup>Guaranteed but not tested.

<sup>7</sup>Three-statable pins: A0–A13, D0–D23, PMS, DMS, BMS, IOMS, CMS, RD, WR, DT0, DT1, SCLK0, SCLK1, TFS0, TFS1, RFS0, RFS1, PF0–PF7.

<sup>8</sup>0 V on BR.

<sup>9</sup>Idle refers to AD73560 state of operation during execution of IDLE instruction. Deasserted pins are driven to either  $V_{DD}$  or GND.

<sup>10</sup> $V_{IN} = 0$  V and 3 V. For typical figures for supply currents, refer to Power Dissipation section.

<sup>11</sup> $I_{DD}$  measurement taken with all instructions executing from internal memory. 50% of the instructions are multifunction (types 1, 4, 5, 12, 13, 14), 30% are type 2 and type 6, and 20% are idle instructions.

<sup>12</sup>Applies to PBGA package type.

<sup>13</sup>Output pin capacitance is the capacitive load for any three-stated output pin.

Specifications subject to change without notice.

**TIMING CHARACTERISTICS-AFE SECTION<sup>1</sup>** (AVDD = +3 V ± 10%; DVDD = +3 V ± 10%; AGND = DGND = 0V; T<sub>A</sub> = T<sub>MIN</sub> to T<sub>MAX</sub>, unless otherwise noted)

| Parameter       | Limit at T <sub>A</sub> = -40°C to +85°C | Units  | Description                     |
|-----------------|--|--------|---------------------------------|
| Clock Signals   |  |        | See Figure 1                    |
| t <sub>1</sub>  | 61                                       | ns min | AMCLK Period                    |
| t <sub>2</sub>  | 24.4                                     | ns min | AMCLK Width High                |
| t <sub>3</sub>  | 24.4                                     | ns min | AMCLK Width Low                 |
| Serial Port     |  |        | See Figures 3 and 4             |
| t <sub>4</sub>  | t <sub>1</sub>                           | ns min | SCLK Period (SCLK=AMCLK)        |
| t <sub>5</sub>  | 0.4 x t <sub>1</sub>                     | ns min | SCLK Width High                 |
| t <sub>6</sub>  | 0.4 x t <sub>1</sub>                     | ns min | SCLK Width Low                  |
| t <sub>7</sub>  | 20                                       | ns min | SDI/SDIFS Setup Before SCLK Low |
| t <sub>8</sub>  | 0  | ns min | SDI/SDIFS Hold After SCLK Low   |
| t <sub>9</sub>  | 10                                       | ns max | SDOFS Delay from SCLK High      |
| t <sub>10</sub> | 10                                       | ns min | SDOFS Hold After SCLK High      |
| t <sub>11</sub> | 10                                       | ns min | SDO Hold After SCLK High        |
| t <sub>12</sub> | 10                                       | ns max | SDO Delay from SCLK High        |
| t <sub>13</sub> | 30                                       | ns max | SCLK Delay from AMCLK           |

NOTES

<sup>1</sup>For details of the DSP section timing, please refer to the ADSP-2185L data sheet and the ADSP-2100 Family User's Manual, Third Edition. Specifications subject to change without notice.

**ABSOLUTE MAXIMUM RATINGS\***

(T<sub>A</sub> = +25°C unless otherwise noted)

|   |                        |
|---|------------------------|
| AVDD, DVDD to GND                       | -0.3 V to +4.6 V       |
| AGND to DGND                            | -0.3 V to +0.3 V       |
| Digital I/O Voltage to DGND             | -0.3 V to DVDD + 0.3 V |
| Analog I/O Voltage to AGND              | -0.3 V to AVDD + 0.3 V |
| Operating Temperature Range             |                        |
| Industrial (B Version)                  | -20°C to +85°C         |
| Storage Temperature Range               | -40°C to +125°C        |
| Maximum Junction Temperature            | +150°C                 |
| PBGA, θ <sub>JA</sub> Thermal Impedance | 25°C/W                 |

**Reflow Soldering**

|                             |        |
|-----------------------------|--------|
| Maximum Temperature         | +225°C |
| Time at Maximum Temperature | 15 sec |

\*Stresses above those listed under Absolute Maximum Ratings may cause permanent damage to the device. This is a stress rating only; functional operation of the device at these or any other conditions above those listed in the operational sections of this specification is not implied. Exposure to absolute maximum rating conditions for extended periods may affect device reliability.

**CAUTION**

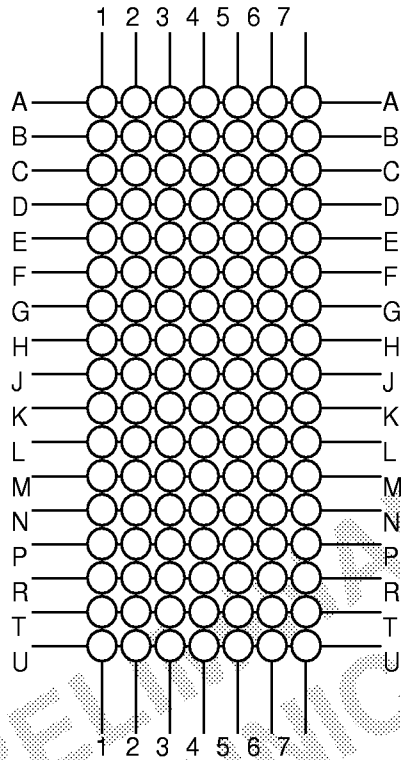
ESD (electrostatic discharge) sensitive device. Electrostatic charges as high as 4000 V readily accumulate on the human body and test equipment and can discharge without detection. Although the AD73560 features proprietary ESD protection circuitry, permanent damage may occur on devices subjected to high energy electrostatic discharges. Therefore, proper ESD precautions are recommended to avoid performance degradation or loss of functionality.



**ORDERING GUIDE**

| Model        | Temperature Range | Package Description         | Package Options |
|--------------|-------------------|-----------------------------|-----------------|
| AD73560BB-80 | -20°C to +85°C    | 119-Ball Plastic Grid Array | B-119           |
| AD73560BB-40 | -20°C to +85°C    | 119-Ball Plastic Grid Array | B-119           |

# AD73560



PBGA Ball Configurations

| PBGA Number | Ball Name                            | PBGA Number | Ball Name                  | PBGA Number | Ball Name                    | PBGA Number | Ball Name                  |
|-------------|--------------------------------------|-------------|----------------------------|-------------|------------------------------|-------------|----------------------------|
| A1          | $\overline{\text{IRQE}}/\text{PF4}$  | E3          | RFS0                       | J5          | D22                          | N7          | D13                        |
| A2          | DMS                                  | E4          | A3/IAD2                    | J6          | D21                          | P1          | $\overline{\text{EBR}}$    |
| A3          | VDD(INT)                             | E5          | A2/IAD1                    | J7          | D20                          | P2          | D0/IAD13                   |
| A4          | CLKIN                                | E6          | A1/IAD0                    | K1          | ELOUT                        | P3          | DVDD                       |
| A5          | A11/IAD10                            | E7          | A0                         | K2          | ELIN                         | P4          | DGND                       |
| A6          | A7/IAD6                              | F1          | DR0                        | K3          | $\overline{\text{EINT}}$     | P5          | $\overline{\text{ARESET}}$ |
| A7          | A4/IAD3                              | F2          | SCLK0                      | K4          | D19                          | P6          | SCLK2                      |
| B1          | $\overline{\text{IRQL0}}/\text{PF5}$ | F3          | DT1                        | K5          | D18                          | P7          | MCLK                       |
| B2          | $\overline{\text{PMS}}$              | F4          | PWDACK                     | K6          | D17                          | R1          | SDO                        |
| B3          | $\overline{\text{WR}}$               | F5          | $\overline{\text{BGH}}$    | K7          | D16                          | R2          | SDOFS                      |
| B4          | XTAL                                 | F6          | PF0[MODE A]                | L1          | $\overline{\text{BG}}$       | R3          | SDIFS                      |
| B5          | A12/IAD11                            | F7          | PF1[MODE B]                | L2          | D3/ $\overline{\text{TACK}}$ | R4          | SDI                        |
| B6          | A8/IAD7                              | G1          | TFS1                       | L3          | D5/IAL                       | R5          | SE                         |
| B7          | A5/IAD4                              | G2          | RFS1                       | L4          | D8                           | R6          | REFCAP                     |
| C1          | $\overline{\text{IRQL1}}/\text{PF6}$ | G3          | DR1                        | L5          | D9                           | R7          | REFOUT                     |
| C2          | $\overline{\text{IOMS}}$             | G4          | GND                        | L6          | D12                          | T1          | VINN2                      |
| C3          | $\overline{\text{RD}}$               | G5          | $\overline{\text{PWD}}$    | L7          | D15                          | T2          | VINP2                      |
| C4          | VDD(EXT)                             | G6          | VDD(EXT)                   | M1          | $\overline{\text{EBG}}$      | T3          | VINN1                      |
| C5          | A13/IAD12                            | G7          | PF2[MODE C]                | M2          | D2/IAD15                     | T4          | VINP1                      |
| C6          | A9/IAD8                              | H1          | SCLK1                      | M3          | D4/ $\overline{\text{IS}}$   | T5          | VINN3                      |
| C7          | GND                                  | H2          | $\overline{\text{ERESET}}$ | M4          | D7/ $\overline{\text{IWR}}$  | T6          | VINP3                      |
| D1          | $\overline{\text{IRQ2}}/\text{PF7}$  | H3          | $\overline{\text{RESET}}$  | M5          | VDD(EXT)                     | T7          | VINN4                      |
| D2          | $\overline{\text{CMS}}$              | H4          | PF3                        | M6          | D11                          | U1          | AGND                       |
| D3          | $\overline{\text{BMS}}$              | H5          | FL0                        | M7          | D14                          | U2          | AVDD                       |
| D4          | CLKOUT                               | H6          | FL1                        | N1          | $\overline{\text{BR}}$       | U3          | VINP6                      |
| D5          | GND                                  | H7          | FL2                        | N2          | D1/IAD14                     | U4          | VINN6                      |
| D6          | A10/IAD9                             | J1          | $\overline{\text{EMS}}$    | N3          | VDD(INT)                     | U5          | VINP5                      |
| D7          | A6/IAD5                              | J2          | EE                         | N4          | D6/ $\overline{\text{IRD}}$  | U6          | VINN5                      |
| E1          | DT0                                  | J3          | ECLK                       | N5          | GND                          | U7          | VINP4                      |
| E2          | TFS0                                 | J4          | D23                        | N6          | D10                          |             |                            |

## PIN FUNCTION DESCRIPTION

| Mnemonic     | Function   |
|--------------|--|
| VINP1        | Analog Input to the Positive Terminal of Input Channel 1.  |
| VINN1        | Analog Input to the Negative Terminal of Input Channel 1.  |
| VINP2        | Analog Input to the Positive Terminal of Input Channel 2.  |
| VINN2        | Analog Input to the Negative Terminal of Input Channel 2.  |
| VINP3        | Analog Input to the Positive Terminal of Input Channel 3.  |
| VINN3        | Analog Input to the Negative Terminal of Input Channel 3.  |
| VINP4        | Analog Input to the Positive Terminal of Input Channel 4.  |
| VINN4        | Analog Input to the Negative Terminal of Input Channel 4.  |
| VINP5        | Analog Input to the Positive Terminal of Input Channel 5.  |
| VINN5        | Analog Input to the Negative Terminal of Input Channel 5.  |
| VINP6        | Analog Input to the Positive Terminal of Input Channel 6.  |
| VINN6        | Analog Input to the Negative Terminal of Input Channel 6.  |
| REFOUT       | Buffered Reference Output, which has a nominal value of 1.25 V. This pin can be overdriven by an external reference if required.   |
| REFCAP       | A Bypass Capacitor to AGND2 of 0.1 $\mu$ F is required for the on-chip reference. The capacitor should be fixed to this pin.   |
| AVDD         | Analog Power Supply Connection.  |
| AGND         | Analog Ground/Substrate Connection.  |
| DGND         | Digital Ground/Substrate Connection.   |
| DVDD         | Digital Power Supply Connection.   |
| ARESET       | Active Low Reset Signal. This input resets the entire chip, resetting the control registers and clearing the digital circuitry.  |
| SCLK2        | Output Serial Clock whose rate determines the serial transfer rate to/from the AFE0. It is used to clock data or control information to and from the serial port (SPORT2). The frequency of SCLK is equal to the frequency of the master clock (MCLK) divided by an integer number—this integer number being the product of the external master clock rate divider and the serial clock rate divider.  |
| MCLK         | Master Clock Input. MCLK is driven from an external clock signal.  |
| SDO          | Serial Data Output of the AD73560. Both data and control information may be output on this pin and are clocked on the positive edge of SCLK. SDO is in three-state when no information is being transmitted and when SE is low.  |
| SDOFS        | Framing Signal Output for SDO Serial Transfers. The frame sync is one bit wide and it is active one SCLK period before the first bit (MSB) of each output word. SDOFS is referenced to the positive edge of SCLK. SDOFS is in three-state when SE is low.  |
| SDIFS        | Framing Signal Input for SDI Serial Transfers. The frame sync is one bit wide and it is valid one SCLK period before the first bit (MSB) of each input word. SDIFS is sampled on the negative edge of SCLK and is ignored when SE is low.  |
| SDI          | Serial Data Input of the AD73560. Both data and control information may be input on this pin and are clocked on the negative edge of SCLK. SDI is ignored when SE is low.  |
| SE           | SPORT Enable. Asynchronous input enable pin for the SPORT. When SE is set low by the DSP, the output pins of the SPORT are three-stated and the input pins are ignored. SCLK is also disabled internally in order to decrease power dissipation. When SE is brought high, the control and data registers of the SPORT are at their original values (before SE was brought low); however, the timing counters and other internal registers are at their reset values. |
| RESET        | (Input) Processor Reset Input  |
| BR           | (Input) Bus Request Input  |
| BG           | (Output) Bus Grant Output  |
| BGH          | (Output) Bus Grant Hung Output   |
| DMS          | (Output) Data Memory Select Output   |
| PMS          | (Output) Program Memory Select Output  |
| IOMS         | (Output) Memory Select Output  |
| BMS          | (Output) Byte Memory Select Output   |
| CMS          | (Output) Combined Memory Select Output   |
| RD           | (Output) Memory Read Enable Output   |
| WR           | (Output) Memory Write Enable Output  |
| IRQ2/<br>PF7 | (Input) Edge- or Level-Sensitive Interrupt<br>(Input/Output) Request. <sup>1</sup> Programmable I/O Pin  |

# AD73560

## PIN FUNCTION DESCRIPTION

| Mnemonic         | Function   |
|------------------|--|
| IRQL0/<br>PF6    | (Input) Level-Sensitive Interrupt Requests <sup>1</sup><br>(Input/Output) Programmable I/O Pin                     |
| IRQL1/<br>PF5    | (Input) Level-Sensitive Interrupt Requests <sup>1</sup><br>(Input/Output) Programmable I/O Pin                     |
| IRQE/<br>PF4     | (Input) Edge-Sensitive Interrupt Requests <sup>1</sup><br>(Input/Output) Programmable I/O Pin                      |
| Mode D/<br>PF3   | (Input) Mode Select Input—Checked Only During RESET<br>(Input/Output) Programmable I/O Pin During Normal Operation |
| Mode C/<br>PF2   | (Input) Mode Select Input—Checked Only During RESET<br>(Input/Output) Programmable I/O Pin During Normal Operation |
| Mode B/<br>PF1   | (Input) Mode Select Input—Checked Only During RESET<br>(Input/Output) Programmable I/O Pin During Normal Operation |
| Mode A/<br>PF0   | (Input) Mode Select Input—Checked Only During RESET<br>(Input/Output) Programmable I/O Pin During Normal Operation |
| CLKIN,<br>XTAL   | (Inputs) Clock or Quartz Crystal Input   |
| CLKOUT           | (Output) Processor Clock Output  |
| SPORT0           | (Inputs/Outputs) Serial Port I/O Pins  |
| SPORT1           | (Inputs/Outputs) Serial Port I/O Pins  |
| IRQ1:0           | (Inputs) Edge- or Level-Sensitive Interrupts   |
| FI               | (Input) Flag In <sup>2</sup>   |
| FO               | (Output) Flag Out <sup>2</sup>   |
| PWD              | (Input) Power-Down Control Input   |
| PWDACK           | (Output) Power-Down Control Output   |
| FL0, FL1,<br>FL2 | (Outputs) Output Flags   |
| VDD and<br>GND   | Power and Ground   |
| EZ-ICEPort       | (Inputs/Outputs) For Emulation Use   |
| ERESET           |  |
| EMS              |  |
| EE               |  |
| ECLK             |  |
| ELOUT            |  |
| ELIN             |  |
| EINT             |  |
| EBR              |  |
| EBG              |  |

### NOTES

<sup>1</sup>Interrupt/Flag Pins retain both functions concurrently. If IMASK is set to enable the corresponding interrupts, then the DSP will vector to the appropriate interrupt vector address when the pin is asserted, either by external devices, or set as a programmable flag.

<sup>2</sup>SPORT configuration determined by the DSP System Control Register. Software configurable.



## ARCHITECTURE OVERVIEW

The AD73560 instruction set provides flexible data moves and multifunction (one or two data moves with a computation) instructions. Every instruction can be executed in a single processor cycle. The AD73560 assembly language uses an algebraic syntax for ease of coding and readability. A comprehensive set of development tools supports program development.

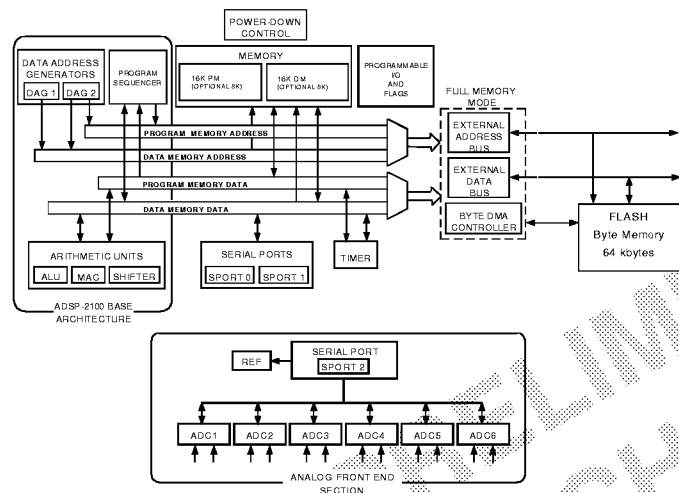


Figure 1. Functional Block Diagram

Figure 1 is an overall block diagram of the AD73560. The processor section contains three independent computational units: the ALU, the multiplier/accumulator (MAC) and the shifter. The computational units process 16 bit data directly and have provisions to support multiprecision computations. The ALU performs a standard set of arithmetic and logic operations; division primitives are also supported. The MAC performs single-cycle multiply, multiply/add and multiply/subtract operations with 40 bits of accumulation. The shifter performs logical and arithmetic shifts, normalization, denormalization and derive exponent operations. The internal result (R) bus connects the computational units so that the output of any unit may be the input of any unit on the next cycle.

A powerful program sequencer and two dedicated data address generators ensure efficient delivery of operands to these computational units. The sequencer supports conditional jumps, subroutine calls and returns in a single cycle. With internal loop counters and loop stacks, the AD73560 executes looped code with zero overhead; no explicit jump instructions are required to maintain loops. Two data address generators (DAGs) provide addresses for simultaneous dual operand fetches (from data memory and program memory). Each DAG maintains and updates four address pointers. Whenever the pointer is used to access data (indirect addressing), it is post-modified by the value of one of four possible modify registers. A length value may be associated with each pointer to implement automatic modulo addressing for circular buffers.

The two address buses (PMA and DMA) share a single external address bus, allowing memory to be expanded off-chip, and the two data buses (PMD and DMD) share a single external data bus. Byte memory space and I/O memory space also share the external buses.

An interface to low cost byte-wide memory is provided by the Byte DMA port (BDMA port). The BDMA port is bi-directional and can directly address up to four megabytes of external RAM or ROM for off-chip storage of program overlays or data tables.

The AD73560 can respond to eleven interrupts. There can be up to six external interrupts (one edge-sensitive, two level-sensitive and three configurable) and seven internal interrupts generated by the timer, the serial ports (SPORTs), the Byte DMA port and the power-down circuitry. There is also a master RESET signal. The two serial ports provide a complete synchronous serial interface with optional companding in hardware and a wide variety of framed or frameless data transmit and receive modes of operation.

Each port can generate an internal programmable serial clock or accept an external serial clock.

The AD73560 provides up to 13 general-purpose flag pins. The data input and output pins on SPORT1 can be alternatively configured as an input flag and an output flag. In addition, there are eight flags that are programmable as inputs or outputs and three flags that are always outputs.

A programmable interval timer generates periodic interrupts. A 16-bit count register (TCOUNT) is decremented every  $n$  processor cycle, where  $n$  is a scaling value stored in an 8-bit register (TSCALE). When the value of the count register reaches zero, an interrupt is generated and the count register is reloaded from a 16-bit period register (TPERIOD).

### Analog Front End

The analog front end of the AD73560 is configured as a separate block that is normally connected to either SPORT0 or SPORT1 of the DSP section. As it is not hardwired to either SPORT the user has total flexibility in how they wish to allocate system resources to support the AFE. It is also possible to further expand the number of analog input channels connected to the SPORT by cascading single AD73360 devices external to the AD73560.

The AFE is configured as six input channels. It comprises six independent encoder channels each featuring signal conditioning, programmable gain amplifier, sigma-delta A/D convertor and decimator sections. Each of these sections is described in further detail below. All channels share a common internal reference whose nominal value is 1.25V. Figure 2 shows a block diagram of the AFE section of the AD73560. It shows six input channels along with a common reference. Communication to all channels is handled by the SPORT2 block which interfaces to either SPORT0 or SPORT1 of the DSP section.

# AD73560

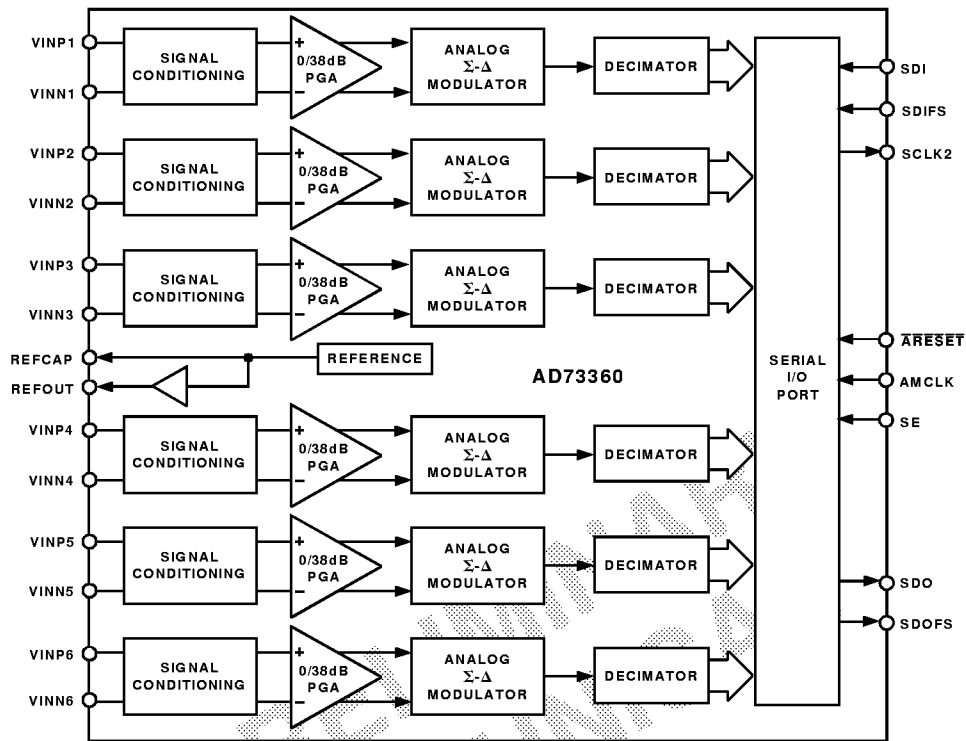


Figure 2. Function Block Diagram of Analog Front End

## FUNCTIONAL DESCRIPTION - AFE

### Encoder Channel

Each encoder channel consists of a signal conditioner, a switched capacitor PGA and a sigma-delta analog-to-digital converter (ADC). An on-board digital filter, which forms part of the sigma-delta ADC, also performs critical system-level filtering. Due to the high level of oversampling, the input antialias requirements are reduced such that a simple single pole RC stage is sufficient to give adequate attenuation in the band of interest.

### Signal Conditioner

Each analog channel has an independent signal conditioning block. This allows the analog input to be configured by the user depending on whether differential or single-ended mode is used.

### Programmable Gain Amplifier

Each encoder section's analog front end comprises a switched capacitor PGA that also forms part of the sigma-delta modulator. The SC sampling frequency is  $DMCLK/8$ . The PGA, whose programmable gain settings are shown in Table II, may be used to increase the signal level applied to the ADC from low output sources such as microphones, and can be used to avoid placing external

amplifiers in the circuit. The input signal level to the sigma-delta modulator should not exceed the maximum input voltage permitted.

The PGA gain is set by bits IGS0, IGS1 and IGS2 in control Registers D, E and F.

Table II. PGA Settings for the Encoder Channel

| IxGS2 | IxGS1 | IxGS0 | Gain (dB) |
|-------|-------|-------|-----------|
| 0     | 0     | 0     | 0         |
| 0     | 0     | 1     | 6         |
| 0     | 1     | 0     | 12        |
| 0     | 1     | 1     | 18        |
| 1     | 0     | 0     | 20        |
| 1     | 0     | 1     | 26        |
| 1     | 1     | 0     | 32        |
| 1     | 1     | 1     | 38        |

### ADC

Each channel has its own ADC consisting of an analog sigma-delta modulator and a digital antialiasing decimation filter. The sigma-delta modulator noise-shapes the signal and produces 1-bit samples at a  $DMCLK/8$  rate. This bitstream, representing the analog input signal, is input to the antialiasing decimation filter. The decimation filter reduces the sample rate and increases the resolution.

**Analog Sigma-Delta Modulator**

The AD73560 input channels employ a sigma-delta conversion technique, which provides a high resolution 16-bit output with system filtering being implemented on-chip. Sigma-delta converters employ a technique known as oversampling, where the sampling rate is many times the highest frequency of interest. In the case of the AD73560, the initial sampling rate of the sigma-delta modulator is  $DMCLK/8$ . The main effect of oversampling is that the quantization noise is spread over a very wide bandwidth, up to  $f_s/2 = DMCLK/16$  (Figure 3a). This means that the noise in the band of interest is much reduced. Another complementary feature of sigma-delta converters is the use of a technique called noise-shaping. This technique has the effect of pushing the noise from the band of interest to an out-of-band position (Figure 3b). The combination of these techniques, followed by the application of a digital filter, reduces the noise in band sufficiently to ensure good dynamic performance from the part (Figure 3c).

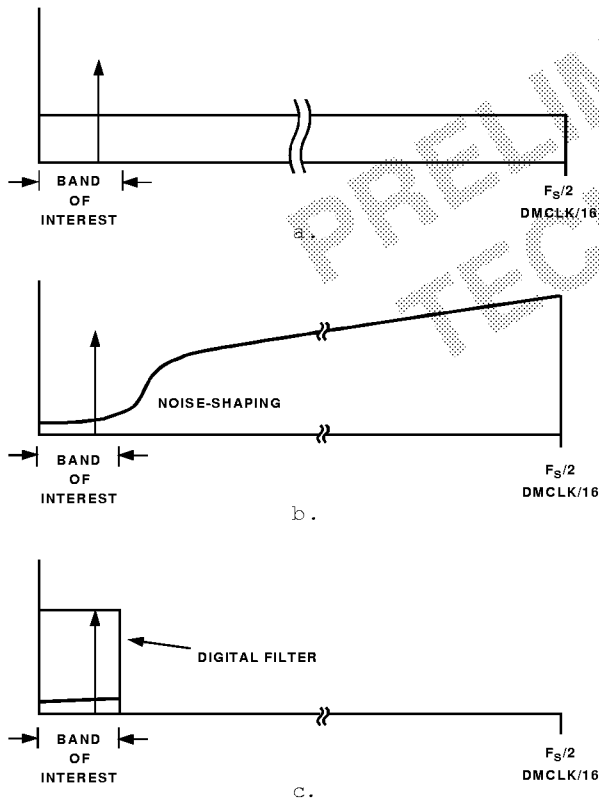
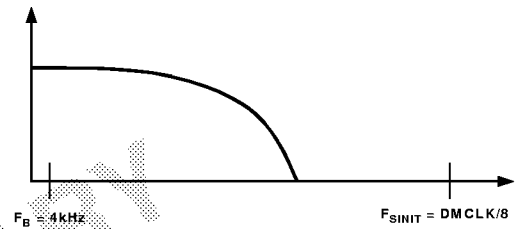


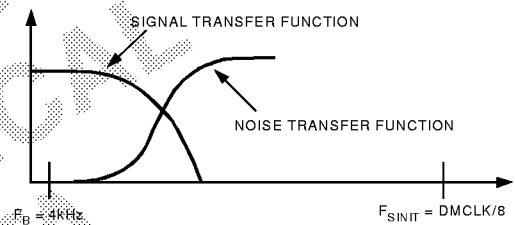
Figure 3. Sigma-Delta Noise Reduction

Figure 4 shows the various stages of filtering that are employed in a typical AD73560 application. In Figure 4a we see the transfer function of the external analog antialias filter. Even though it is a single RC pole, its cutoff frequency is sufficiently far away from the initial sampling frequency ( $DMCLK/8$ ) that it takes care of any signals that could be aliased by the sampling frequency. This also shows the major difference between the initial oversampling rate and the bandwidth of interest. In Figure 4b, the signal and noise-shaping responses of the sigma-delta modulator are shown. The signal response provides further rejection of any high frequency signals while the

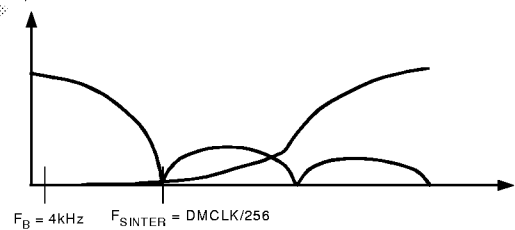
noise-shaping will push the inherent quantization noise to an out-of-band position. The detail of Figure 4c shows the response of the digital decimation filter (Sinc-cubed response) with nulls every multiple of  $DMCLK/256$ , which is the decimation filter update rate. The final detail in Figure 4d shows the application of a final antialias filter in the DSP engine. This has the advantage of being implemented according to the user's requirements and available MIPS. The filtering in Figures 4a through 4c is implemented in the AD73560.



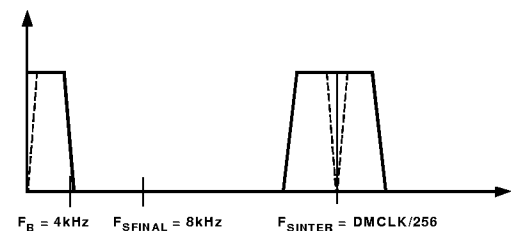
a. Analog Antialias Filter Transfer Function



b. Analog Sigma-Delta Modulator Transfer Function



c. Digital Decimator Transfer Function



d. Final Filter LPF (HPF) Transfer Function  
Figure 4. DC Frequency Responses

**Decimation Filter**

The digital filter used in the AD73560 carries out two important functions. Firstly, it removes the out-of-band quantization noise, which is shaped by the analog modulator and secondly, it decimates the high frequency bitstream to a lower rate 15-bit word.

# AD73560

The antialiasing decimation filter is a sinc-cubed digital filter that reduces the sampling rate from  $DMCLK/8$  to  $DMCLK/256$ , and increases the resolution from a single bit to 15 bits. Its Z transform is given as:  $[(1-Z^{-32})/(1-Z^{-1})]^3$ . This ensures a minimal group delay of 25  $\mu s$ .

## ADC Coding

The ADC coding scheme is in twos complement format (see Figure 8). The output words are formed by the decimation filter, which grows the word length from the single-bit output of the sigma-delta modulator to a 15-bit word, which is the final output of the ADC block. In 16-bit Data Mode this value is left shifted with the LSB being set to 0. For input values equal to or greater than positive full scale, however, the output word is set at 0x7FFF, which has the LSB set to 1. In mixed Control/Data Mode, the resolution is fixed at 15 bits, with the MSB of the 16-bit transfer being used as a flag bit to indicate either control or data in the frame.

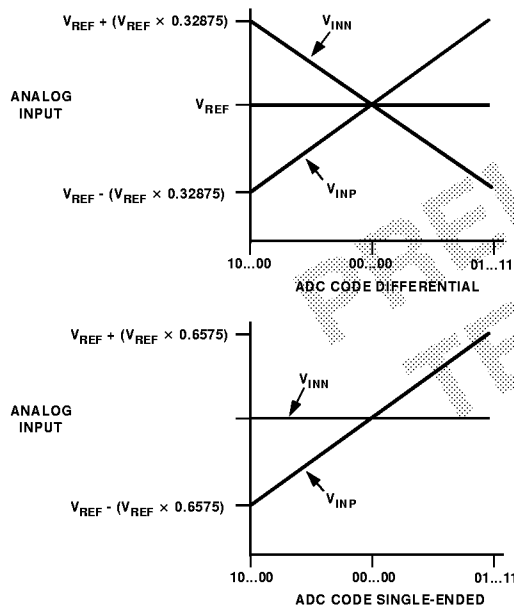


Figure 5. ADC Transfer Function

## Voltage Reference

The AD73560 reference, REFCAP, is a bandgap reference that provides a low noise, temperature-compensated reference to the ADC. A buffered version of the reference is also made available on the REFOUT pin and can be used to bias other external analog circuitry. The reference has a nominal value of 1.25 V.

The reference output (REFOUT) can be enabled for biasing external circuitry by setting the RU bit (CRC:6) of CRC.

## AFE Serial Port (SPORT2)

The AFE section communicate with DSP via the bi-directional synchronous serial port (SPORT2) which interfaces to either SPORT0 or SPORT1 of the DSP section. SPORT2 is used to transmit and receive digital data and control information. Additional external AFE's can be cascaded to the internal AFE (up to a limit of 7) to provide additional input channels if required.

In both transmit and receive modes, data is transferred at the serial clock (SCLK2) rate with the MSB being transferred first. Communication between the AFE section and DSP section must always be initiated by the AFE section (AFE is in master mode, DSP is in slave mode). This ensures that there is no collision between input data and output samples.

## SPORT2 Overview

SPORT2 is a flexible, full-duplex, synchronous serial port whose protocol has been designed to allow addition AFE's (up to a limit of 7 external devices) to be connected in cascade to the DSP section. It has a very flexible architecture that can be configured by programming two of the internal control registers in each AFE block. SPORT2 has three distinct modes of operation: Control Mode, Data Mode and Mixed Control/Data Mode.

NOTE: As each AFE has its own SPORT section, the register settings in each must be programmed. The registers which control SPORT and sample rate operation (CRA and CRB) must be programmed with the same values, otherwise incorrect operation may occur.

In Control Mode (CRA:0 = 0), the device's internal configuration can be programmed by writing to the eight internal control registers. In this mode, control information can be written to or read from the AFE. In Data Mode (CRA:0 = 1), any information that is sent to the AFE is ignored, while the encoder section (ADC) data is read from the device. In this mode, only ADC data is read from the device. Mixed mode (CRA:0 = 1 and CRA:1 = 1) allows the user to send control information and receive either control information or ADC data. This is achieved by using the MSB of the 16-bit frame as a flag bit. Mixed mode reduces the resolution to 15 bits with the MSB being used to indicate whether the information in the 16-bit frame is control information or ADC data.

SPORT2 features a single 16-bit serial register that is used for both input and output data transfers. As the input and output data must share the same register there are some precautions that must be observed. The primary precaution is that no information must be written to SPORT2 without reference to an output sample event, which is when the serial register will be overwritten with the latest ADC sample word. Once SPORT2 starts to output the latest ADC word, it is safe for the DSP to write new control words to the AFE. In certain configurations, data can be written to the device to coincide with the output sample being shifted out of the serial register—see section on interfacing devices. The serial clock rate (CRB:2–3) defines how many 16-bit words can be written to a device before the next output sample event will happen.

The SPORT2 block diagram, shown in Figure 9, details the blocks associated with AFE including the eight control registers (A–H), external AMCLK to internal DMCLK divider and serial clock divider. The divider rates are controlled by the setting of Control Register B. The AFE features a master clock divider that allows users the flexibility of dividing externally available high frequency DSP clocks to generate a lower frequency master clock internally in the AFE which may be more suitable for either

serial transfer or sampling rate requirements. The master clock divider has five divider options ( $\div 1$  default condition,  $\div 2$ ,  $\div 3$ ,  $\div 4$ ,  $\div 5$ ) that are set by loading the master clock divider field in Register B with the appropriate code (see Table VI). Once the internal device master clock (DMCLK) has been set using the master clock divider, the sample rate and serial clock settings are derived from DMCLK.

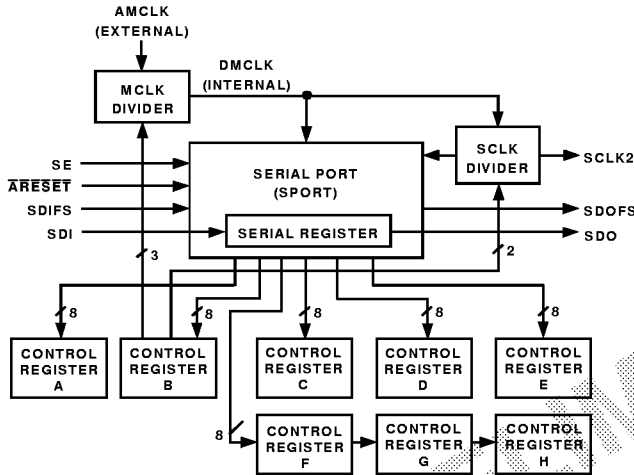


Figure 6. SPORT Block Diagram

SPORT2 can work at four different serial clock (SCLK) rates: chosen from DMCLK, DMCLK/2, DMCLK/4 or DMCLK/8, where DMCLK is the internal or device master clock resulting from the external or pin master clock being divided by the master clock divider. Care should be taken when selecting Master Clock, Serial Clock and Sample Rate divider settings to ensure that there is sufficient time to read all the data from the AFE before the next sample interval.

**SPORT Register Maps**

There are eight control registers for the AFE, each eight bits wide. Table V shows the control register map for the AFE. The first two control registers, CRA and CRB, are reserved for controlling SPORT2. They hold settings for parameters such as bit rate, internal master clock rate and device count. If multiple AFE's are cascaded, registers CRA and CRB on each device must be programmed with the same setting to ensure correct operation. The other six registers; CRC through CRH are used to hold control settings for the Reference, Power Control, ADC channel and PGA sections of the device. It is not necessary that the contents of CRC through CRH on each AFE are similar. Control registers are written to on the negative edge of SCLK2.

**Master Clock Divider**

The AFE features a programmable master clock divider that allows the user to reduce an externally available master clock, at pin MCLK, by one of the ratios 1, 2, 3, 4 or 5 to produce an internal master clock signal (DMCLK) that is used to calculate the sampling and serial clock rates. The master clock divider is programmable by setting CRB:4-6. Table III shows the division ratio corre-

sponding to the various bit settings. The default divider ratio is divide-by-one.

Table III. DMCLK (Internal) Rate Divider Settings

| MCD2 | MCD1 | MCD0 | DMCLK Rate |
|------|------|------|------------|
| 0    | 0    | 0    | AMCLK      |
| 0    | 0    | 1    | AMCLK/2    |
| 0    | 1    | 0    | AMCLK/3    |
| 0    | 1    | 1    | AMCLK/4    |
| 1    | 0    | 0    | AMCLK/5    |
| 1    | 0    | 1    | AMCLK      |
| 1    | 1    | 0    | AMCLK      |
| 1    | 1    | 1    | AMCLK      |

**Serial Clock Rate Divider**

The AFE features a programmable serial clock divider that allows users to match the serial clock (SCLK2) rate of the data to that of the DSP. The maximum SCLK2 rate available is DMCLK, and the other available rates are: DMCLK/2, DMCLK/4 and DMCLK/8. The slowest rate (DMCLK/8) is the default SCLK2 rate. The serial clock divider is programmable by setting bits CRB:2-3. Table IV shows the serial clock rate corresponding to the various bit settings.

Table IV. SCLK Rate Divider Settings

| SCD1 | SCD0 | SCLK2 Rate |
|------|------|------------|
| 0    | 0    | DMCLK/8    |
| 0    | 1    | DMCLK/4    |
| 1    | 0    | DMCLK/2    |
| 1    | 1    | DMCLK      |

**Decimation Rate Divider**

The AFE features a programmable decimation rate divider that allows users flexibility in matching the AFE's ADC sample rates to the needs of the DSP software. The maximum sample rate available is DMCLK/256 and the other available rates are: DMCLK/512, DMCLK/1024 and DMCLK/2048. The slowest rate (DMCLK/2048) is the default sample rate. The sample rate divider is programmable by setting bits CRB:0-1. Table V shows the sample rate corresponding to the various bit settings.

Table V. Decimation Rate Divider Settings

| DR1 | DR0 | SCLK2 Rate |
|-----|-----|------------|
| 0   | 0   | DMCLK/2048 |
| 0   | 1   | DMCLK/1024 |
| 1   | 0   | DMCLK/512  |
| 1   | 1   | DMCLK/256  |

# AD73560

**Table VI. Control Register Map**

| Address(Binary) | Name | Description        | Type | Width | Reset Setting (Hex) |
|-----------------|------|--------------------|------|-------|---------------------|
| 000             | CRA  | Control Register A | R/W  | 8     | 0x00                |
| 001             | CRB  | Control Register B | R/W  | 8     | 0x00                |
| 010             | CRC  | Control Register C | R/W  | 8     | 0x00                |
| 011             | CRD  | Control Register D | R/W  | 8     | 0x00                |
| 100             | CRE  | Control Register E | R/W  | 8     | 0x00                |
| 101             | CRF  | Control Register F | R/W  | 8     | 0x00                |
| 110             | CRG  | Control Register G | R/W  | 8     | 0x00                |
| 111             | CRH  | Control Register H | R/W  | 8     | 0x00                |

**Table VII. Control Word Description**

| 15  | 14  | 13             | 12 | 11 | 10               | 9 | 8 | 7             | 6 | 5 | 4 | 3 | 2 | 1 | 0 |
|-----|-----|----------------|----|----|------------------|---|---|---------------|---|---|---|---|---|---|---|
| C/D | R/W | DEVICE ADDRESS |    |    | REGISTER ADDRESS |   |   | REGISTER DATA |   |   |   |   |   |   |   |

| Control    | Frame            | Description  |
|------------|------------------|--|
| Bit 15     | Control/Data     | When set high, it signifies a control word in Program or Mixed Program/Data Modes. When set low, it signifies an invalid control word in Program Mode.   |
| Bit 14     | Read/Write       | When set low, it tells the device that the data field is to be written to the register selected by the register field setting provided the address field is zero. When set high, it tells the device that the selected register is to be written to the data field in the serial register and that the new control word is to be output from the device via the serial output. |
| Bits 13–11 | Device Address   | This 3-bit field holds the address information. Only when this field is zero is a device selected. If the address is not zero, it is decremented and the control word is passed out of the device via the serial output.   |
| Bits 10–8  | Register Address | This 3-bit field is used to select one of the eight control registers on the AD73560.  |
| Bits 7–0   | Register Data    | This 8-bit field holds the data that is to be written to or read from the selected register provided the address field is zero.  |

## CONTROL REGISTER A

**Table VIII. Control Register A Description**

| 7     | 6   | 5   | 4   | 3   | 2 | 1  | 0        |
|-------|-----|-----|-----|-----|---|----|----------|
| RESET | DC2 | DC1 | DC0 | SLB | – | MM | DATA/PGM |

| Bit | Name     | Description                                   |
|-----|----------|---|
| 0   | DATA/PGM | Operating Mode (0 = Program; 1 = Data Mode)   |
| 1   | MM       | Mixed Mode (0 = OFF; 1 = Enabled)             |
| 2   | Reserved | Must Be Programmed to Zero (0)                |
| 3   | SLB      | SPORT Loop-Back Mode (0 = OFF; 1 = Enabled)   |
| 4   | DC0      | Device Count (Bit 0)                          |
| 5   | DC1      | Device Count (Bit 1)                          |
| 6   | DC2      | Device Count (Bit 2)                          |
| 7   | RESET    | Software Reset (0 = OFF; 1 = Initiates Reset) |

**Table IX. Control Register B Description**

**CONTROL REGISTER B**

|     |      |      |      |      |      |     |     |
|-----|------|------|------|------|------|-----|-----|
| 7   | 6    | 5    | 4    | 3    | 2    | 1   | 0   |
| CEE | MCD2 | MCD1 | MCD0 | SCD1 | SCD0 | DR1 | DR0 |

| Bit | Name | Description                                |
|-----|------|--|
| 0   | DR0  | Decimation Rate (Bit 0)                    |
| 1   | DR1  | Decimation Rate (Bit 1)                    |
| 2   | SCD0 | Serial Clock Divider (Bit 0)               |
| 3   | SCD1 | Serial Clock Divider (Bit 1)               |
| 4   | MCD0 | Master Clock Divider (Bit 0)               |
| 5   | MCD1 | Master Clock Divider (Bit 1)               |
| 6   | MCD2 | Master Clock Divider (Bit 2)               |
| 7   | CEE  | Control Echo Enable (0 = OFF; 1 = Enabled) |

**Table X. Control Register C Description**

**CONTROL REGISTER C**

|   |    |       |   |   |   |   |     |
|---|----|-------|---|---|---|---|-----|
| 7 | 6  | 5     | 4 | 3 | 2 | 1 | 0   |
| - | RU | PUREF | - | - | - | - | GPU |

| Bit | Name     | Description   |
|-----|----------|---|
| 0   | GPU      | Global Power-Up Device (0 = Power Down; 1 = Power Up) |
| 1   | Reserved | Must Be Programmed to Zero (0)                        |
| 2   | Reserved | Must Be Programmed to Zero (0)                        |
| 3   | Reserved | Must Be Programmed to Zero (0)                        |
| 4   | Reserved | Must Be Programmed to Zero (0)                        |
| 5   | PUREF    | REF Power (0 = Power Down; 1 = Power Up)              |
| 6   | RU       | REFOUT Use (0 = Disable REFOUT; 1 = Enable REFOUT)    |
| 7   | Reserved | Must Be Programmed to Zero (0)                        |

**Table XI. Control Register D Description**

**CONTROL REGISTER D**

|      |       |       |       |      |       |       |       |
|------|-------|-------|-------|------|-------|-------|-------|
| 7    | 6     | 5     | 4     | 3    | 2     | 1     | 0     |
| PUI2 | I2GS2 | I2GS1 | I2GS0 | PUI1 | I1GS2 | I1GS1 | I1GS0 |

| Bit | Name  | Description                           |
|-----|-------|---------------------------------------|
| 0   | I1GS0 | ADC1:Input Gain Select (Bit 0)        |
| 1   | I1GS1 | ADC1:Input Gain Select (Bit 1)        |
| 2   | I1GS2 | ADC1:Input Gain Select (Bit 2)        |
| 3   | PUI1  | Power Control (ADC1); 1 = ON, 0 = OFF |
| 4   | I2GS0 | ADC2:Input Gain Select (Bit 0)        |
| 5   | I2GS1 | ADC2:Input Gain Select (Bit 1)        |
| 6   | I2GS2 | ADC2:Input Gain Select (Bit 2)        |
| 7   | PUI2  | Power Control (ADC2); 1 = ON, 0 = OFF |

# AD73560

**Table XIII. Control Register E Description**

**CONTROL REGISTER E**

|      |       |       |       |      |       |       |       |
|------|-------|-------|-------|------|-------|-------|-------|
| 7    | 6     | 5     | 4     | 3    | 2     | 1     | 0     |
| PUI4 | I4GS2 | I4GS1 | I4GS0 | PUI3 | I3GS2 | I3GS1 | I3GS0 |

| Bit | Name  | Description                           |
|-----|-------|---------------------------------------|
| 0   | I3GS0 | ADC3:Input Gain Select (Bit 0)        |
| 1   | I3GS1 | ADC3:Input Gain Select (Bit 1)        |
| 2   | I3GS2 | ADC3:Input Gain Select (Bit 2)        |
| 3   | PUI3  | Power Control (ADC3); 1 = ON, 0 = OFF |
| 4   | I4GS0 | ADC4:Input Gain Select (Bit 0)        |
| 5   | I4GS1 | ADC4:Input Gain Select (Bit 1)        |
| 6   | I4GS2 | ADC4:Input Gain Select (Bit 2)        |
| 7   | PUI4  | Power Control (ADC4); 1 = ON, 0 = OFF |

**Table XIV. Control Register F Description**

**CONTROL REGISTER F**

|      |       |       |       |      |       |       |       |
|------|-------|-------|-------|------|-------|-------|-------|
| 7    | 6     | 5     | 4     | 3    | 2     | 1     | 0     |
| PUI6 | I6GS2 | I6GS1 | I6GS0 | PUI5 | I5GS2 | I5GS1 | I5GS0 |

| Bit | Name  | Description                           |
|-----|-------|---------------------------------------|
| 0   | I5GS0 | ADC5:Input Gain Select (Bit 0)        |
| 1   | I5GS1 | ADC5:Input Gain Select (Bit 1)        |
| 2   | I5GS2 | ADC5:Input Gain Select (Bit 2)        |
| 3   | PUI5  | Power Control (ADC5); 1 = ON, 0 = OFF |
| 4   | I6GS0 | ADC6:Input Gain Select (Bit 0)        |
| 5   | I6GS1 | ADC6:Input Gain Select (Bit 1)        |
| 6   | I6GS2 | ADC6:Input Gain Select (Bit 2)        |
| 7   | PUI6  | Power Control (ADC6); 1 = ON, 0 = OFF |

**Table XV. Control Register G Description**

**CONTROL REGISTER G**

|      |      |     |     |     |     |     |     |
|------|------|-----|-----|-----|-----|-----|-----|
| 7    | 6    | 5   | 4   | 3   | 2   | 1   | 0   |
| SEEN | RMOD | CH6 | CH5 | CH4 | CH3 | CH2 | CH1 |

| Bit | Name | Description                    |
|-----|------|--------------------------------|
| 0   | CH1  | Channel 1 Select               |
| 1   | CH2  | Channel 2 Select               |
| 2   | CH3  | Channel 3 Select               |
| 3   | CH4  | Channel 4 Select               |
| 4   | CH5  | Channel 5 Select               |
| 5   | CH6  | Channel 6 Select               |
| 6   | RMOD | Reset Analog Modulator         |
| 7   | SEEN | Enable Single-Ended Input Mode |



Table XVI. Control Register H Description

## CONTROL REGISTER H

|     |     |     |     |     |     |     |     |
|-----|-----|-----|-----|-----|-----|-----|-----|
| 7   | 6   | 5   | 4   | 3   | 2   | 1   | 0   |
| INV | TME | CH6 | CH5 | CH4 | CH3 | CH2 | CH1 |

| Bit | Name | Description                |
|-----|------|----------------------------|
| 0   | CH1  | Channel 1 Select           |
| 1   | CH2  | Channel 2 Select           |
| 2   | CH3  | Channel 3 Select           |
| 3   | CH4  | Channel 4 Select           |
| 4   | CH5  | Channel 5 Select           |
| 5   | CH6  | Channel 6 Select           |
| 6   | TME  | Test Mode Enable           |
| 7   | INV  | Enable Invert Channel Mode |

## OPERATION

**Resetting the AFE**

The  $\overline{\text{ARESET}}$  pin resets all the control registers. All the AFE registers are reset to zero indicating that the default SCLK2 rate (DMCLK/8) and sample rate (DMCLK/2048) are at a minimum. As well as resetting the control registers of the AFE using the  $\overline{\text{ARESET}}$  pin, the device can be reset using the RESET bit (CRA:7) in Control Register A. Both hardware and software resets require four DMCLK cycles. On reset, DATA/PGM (CRA:0) is set to 0 (default condition) thus enabling Control Mode. The reset conditions ensure that the device must be programmed to the correct settings after power-up or reset. Following a reset, the SDOFS will be asserted approximately 2070 master (AMCLK) cycles after  $\overline{\text{ARESET}}$  goes high. The data that is output following the reset and during Control Mode is random and contains no valid information until either data or mixed mode is set.

**Power Management**

The individual functional blocks of the AFE can be enabled separately by programming the power control register CRC (The Power Management functions of the DSP section are separate and will be referred to later). It allows certain sections to be powered down if not required, which adds to the device's flexibility in that the user need not incur the penalty of having to provide power for a certain section if it is not necessary to their design. The power control registers provide individual control settings for the major functional blocks on each analog front end unit and also a global override that allows all sections to be powered up/down by setting/clearing the bit. Using this method the user could, for example, individually enable a certain section, such as the reference (CRC:5), and disable all others. The global power-up (CRC:0) can be used to enable all sections but if power-down is required using the global control, the reference will still be enabled; in this case, because its individual bit is set. Refer to Table X for details of the settings of CRC. CRD-CRF can be used to control the power status of individual channels allowing multiple channels to be powered down if required.

**Operating Modes**

There are three operating modes available on the AFE. They are Control (Program), Data and Mixed Control/Data. The device configuration—register settings—can be changed only in Program and Mixed Program/Data Modes. In all modes, transfers of information to or from the device occur in 16-bit packets, therefore the DSP engine's SPORT will be programmed for 16-bit transfers.

**Control Mode**

In Control Mode, CRA:0 = 0, the user writes to the control registers to set up the device for desired operation—SPORT2 operation, cascade length, power management, input/output gain, etc. In this mode, the 16-bit information packet sent to the device by the DSP is interpreted as a control word whose format is shown in Table VII. In this mode, the user must address the device to be programmed using the address field of the control word. This field is read by the device and if it is zero (000 bin), the device recognizes the word as being addressed to it. If the address field is not zero, it is then decremented and the control word is passed out of the device—either to the next device in a cascade or back to the DSP. This 3-bit address format allows the user to uniquely address any one of up to eight devices in a cascade. If the AFE is used in a stand-alone configuration connected to the DSP, the device address corresponds to 0.

Following reset, when the SE pin is enabled, the AFE responds by raising the SDOFS pin to indicate that an output sample event has occurred. Control words can be written to the device to coincide with the data being sent out of SPORT2, as shown in Figure 12 (Directly Coupled), or they can lag the output words by a time interval that should not exceed the sample interval (Indirectly

# AD73560

Coupled). Refer to the Digital Interface section for more information. After reset, output frame sync pulses will occur at a slower default sample rate, which is DMCLK/2048, until Control Register B is programmed, after which the SDOFS will be pulsed at the selected rate. While the AFE is in Control Mode, the data output by the device is random and should not be interpreted as ADC data.

## Data Mode

Once the device has been configured by programming the correct settings to the various control registers, the device may exit Program Mode and enter Data Mode. This is done by programming the DATA/PGM (CRA:0) bit to a 1 and MM (CRA:1) to 0. Once the device is in Data Mode, the input data is ignored. When the device is in normal Data Mode (i.e., mixed mode disabled), it must receive a hardware reset to reprogram any of the control register settings.

## Mixed Program/Data Mode

This mode allows the user to send control words to the device while receiving ADC words. This permits adaptive control of the device whereby control of the input gains can be affected by reprogramming the control registers. The standard data frame remains 16 bits, but now the MSB is used as a flag bit to indicate that the remaining 15 bits of the frame represents control information. Mixed mode is enabled by setting the MM bit (CRA:1) to 1 and the DATA/PGM bit (CRA:0) to 1. In the case where control setting changes will be required during normal operation, this mode allows the ability to load control information with the slight inconvenience of formatting the data. Note that the output samples from the ADC will also have the MSB set to zero to indicate it is a data word.

## INTERFACING

The AFE section SPORT (SPORT2) can be interfaces to either SPORT0 or SPORT1 of the DSP section.. Both serial input and output data use an accompanying frame synchronization signal which is active high one clock cycle before the start of the 16-bit word or during the last bit of the previous word if transmission is continuous. The serial clock (SCLK) is an output from the AFE and is used to define the serial transfer rate to the DSP's Tx and Rx ports. Two primary configurations can be used: the first is shown in Figure 7 where the DSP's Tx data, Tx frame sync, Rx data and Rx frame sync are connected to the AD73560's SDI, SDIFS, SDO and SDOFS respectively. This configuration, referred to as indirectly coupled or nonframe sync loop-back, has the effect of decoupling the transmission of input data from the receipt of output data. When programming the DSP serial port for this configuration, it is necessary to set the Rx frame sync as an input to the DSP and the Tx frame sync as an output generated by the DSP. This configuration is most useful when operating in mixed mode, as the DSP has the ability to decide how many words can be sent to the AFE(s). This means that full control can be implemented over the device configuration in a given sample interval. The second configuration (shown in Figure 8) has the DSP's Tx data and Rx

data connected to the AFE's SDI and SDO, respectively, while the DSP's Tx and Rx frame syncs are connected to the AD73560's SDIFS and SDOFS. In this configuration, referred to as directly coupled or frame sync loop-back, the frame sync signals are connected together and the input data to the AFE is forced to be synchronous with the output data from the AFE. The DSP must be programmed so that both the Tx and Rx frame syncs are inputs as the AFE's SDOFS will be input to both. This configuration guarantees that input and output events occur simultaneously and is the simplest configuration for operation in normal Data Mode. Note that when programming the DSP in this configuration it is advisable to preload the Tx register with the first control word to be sent before the AFE is taken out of reset. This ensures that this word will be transmitted to coincide with the first output word from the device(s).

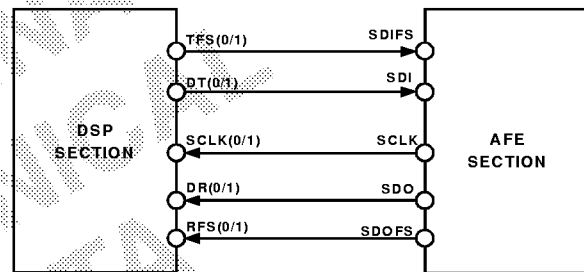


Figure 7. Indirectly Coupled or Nonframe Sync Loop-Back Configuration

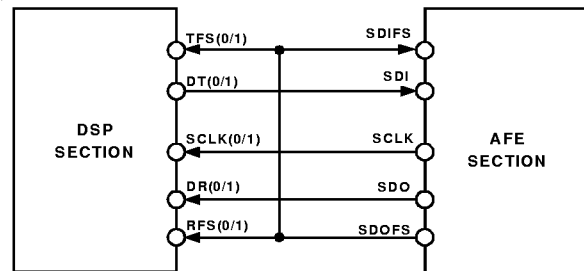


Figure 8. Directly Coupled or Frame Sync Loop-Back Configuration

## Cascade Operation

The AD73560 has been designed to support cascading of external AFEs from either SPORT0 or SPORT1. The SPORT2 interface protocol has been designed so that device addressing is built into the packet of information sent to the device. This allows the cascade to be formed with no extra hardware overhead for control signals or addressing. A cascade can be formed in either of the two modes previously discussed.

There may be some restrictions in cascade operation due to the number of devices configured in the cascade and the serial clock rate chosen. The formula below gives an indication of whether the combination of sample rate, serial clock and number of devices can be successfully cascaded. This assumes a directly coupled frame sync arrangement as shown in Figure 8 and does not take any interrupt latency into account.

$$\frac{1}{f_s} \geq \frac{6 \times [((\text{DeviceCount} - 1) \times 16) + 17]}{\text{SCLK}}$$

When using the indirectly coupled frame sync configuration in cascaded operation it is necessary to be aware of the restrictions in sending control word data to all devices in the cascade. The user should ensure that there is sufficient time for all the control words to be sent between reading the last ADC sample and the start of the next sample period.

In Cascade Mode, each device must know the number of devices in the cascade to be able to output data at the correct time. Control Register A contains a 3-bit field (DC0-2) that is programmed by the DSP during the programming phase. The default condition is that the field contains 000b, which is equivalent to a single device in cascade (see Table XVII). However, for cascade operation this field must contain a binary value that is one less than the number of devices in the cascade. With a number of AD73560s in cascade each device takes a turn to send an ADC result to the DSP. For example, in a cascade of two devices the data will be output as Device 2-Channel 1, Device 1-Channel 1, Device 2-Channel 2, Device 1-Channel 2 etc. When the first device in the cascade has transmitted its channel data there is an additional SCLK period during which the last device asserts its SDOFS as it begins its transmission of the next channel. This will not cause a problem for most DSPs as they count clock edges after a frame sync and hence the extra bit will be ignored.

When multiple devices are connected in cascade there are also restrictions concerning which ADC channels can be powered up. In all cases the cascaded devices must all have the same channels powered up (i.e., for a cascade of two devices requiring Channels 1 and 2 on Device 1 and Channel 5 on Device 2, Channels 1, 2 and 5 must be powered up on both devices to ensure correct operation).

Table XVII. Device Count Settings

| DC2 | DC1 | DC0 | Cascade Length |
|-----|-----|-----|----------------|
| 0   | 0   | 0   | 1              |
| 0   | 0   | 1   | 2              |
| 0   | 1   | 0   | 3              |
| 0   | 1   | 1   | 4              |
| 1   | 0   | 0   | 5              |
| 1   | 0   | 1   | 6              |
| 1   | 1   | 0   | 7              |
| 1   | 1   | 1   | 8              |

FUNCTIONAL DESCRIPTION - DSP

The AD73560 instruction set provides flexible data moves and multifunction (one or two data moves with a computation) instructions. Every instruction can be executed in a single processor cycle. The AD73560 assembly language uses an algebraic syntax for ease of coding and readability. A comprehensive set of development tools supports program development.

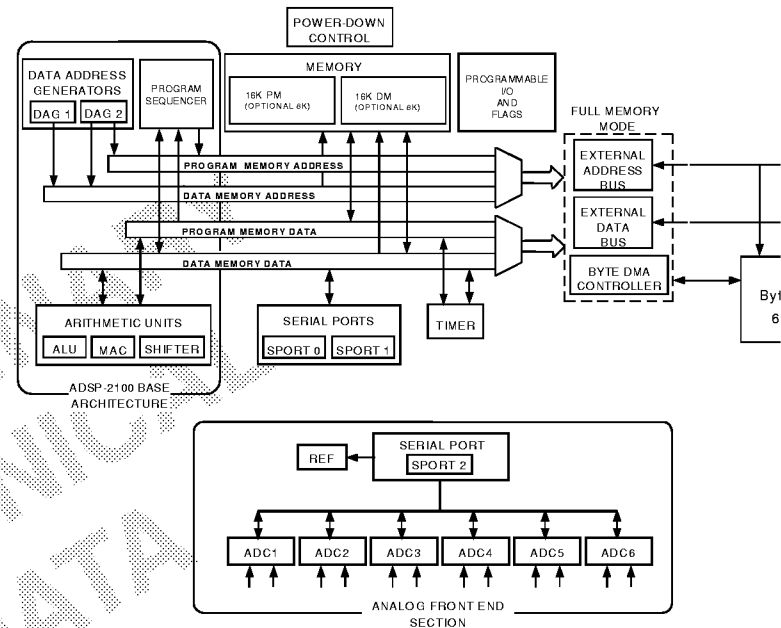


Figure 9. Functional Block Diagram

Figure 9 is an overall block diagram of the AD73560. The processor contains three independent computational units: the ALU, the multiplier/accumulator (MAC) and the shifter. The computational units process 16-bit data directly and have provisions to support multiprecision computations. The ALU performs a standard set of arithmetic and logic operations; division primitives are also supported. The MAC performs single-cycle multiply, multiply/add and multiply/subtract operations with 40 bits of accumulation. The shifter performs logical and arithmetic shifts, normalization, denormalization and derive exponent operations.

The shifter can be used to efficiently implement numeric format control including multiword and block floating-point representations.

The internal result (R) bus connects the computational units so that the output of any unit may be the input of any unit on the next cycle.

A powerful program sequencer and two dedicated data address generators ensure efficient delivery of operands to these computational units. The sequencer supports conditional jumps, subroutine calls and returns in a single cycle. With internal loop counters and loop stacks, the AD73560 executes looped code with zero overhead; no explicit jump instructions are required to maintain loops.

# AD73560

Two data address generators (DAGs) provide addresses for simultaneous dual operand fetches (from data memory and program memory). Each DAG maintains and updates four address pointers. Whenever the pointer is used to access data (indirect addressing), it is post-modified by the value of one of four possible modify registers. A length value may be associated with each pointer to implement automatic modulo addressing for circular buffers. Efficient data transfer is achieved with the use of five internal buses:

- Program Memory Address (PMA) Bus
- Program Memory Data (PMD) Bus
- Data Memory Address (DMA) Bus
- Data Memory Data (DMD) Bus
- Result (R) Bus

The two address buses (PMA and DMA) share a single external address bus, allowing memory to be expanded off-chip, and the two data buses (PMD and DMD) share a single external data bus. Byte memory space and I/O memory space also share the external buses.

Program memory can store both instructions and data, permitting the AD73560 to fetch two operands in a single cycle, one from program memory and one from data memory. The AD73560 can fetch an operand from program memory and the next instruction in the same cycle. In lieu of the address and data bus for external memory connection, the AD73560 may be configured for 16-bit Internal DMA port (IDMA port) connection to external systems. The IDMA port is made up of 16 data/address pins and five control pins. The IDMA port provides transparent, direct access to the DSPs on-chip program and data RAM.

An interface to low cost byte-wide memory is provided by the Byte DMA port (BDMA port). The BDMA port is bidirectional and can directly address up to four megabytes of external RAM or ROM for off-chip storage of program overlays or data tables.

The byte memory and I/O memory space interface supports slow memories and I/O memory-mapped peripherals with programmable wait state generation. External devices can gain control of external buses with bus request/grant signals (BR, BGH, and BG). One execution mode (Go Mode) allows the AD73560 to continue running from on-chip memory. Normal execution mode requires the processor to halt while buses are granted.

The AD73560 can respond to eleven interrupts. There can be up to six external interrupts (one edge-sensitive, two level-sensitive and three configurable) and seven internal interrupts generated by the timer, the serial ports (SPORTs), the Byte DMA port and the power-down circuitry. There is also a master RESET signal. The two serial ports provide a complete synchronous serial interface with optional companding in hardware and a wide variety of framed or frameless data transmit and receive modes of operation.

Each port can generate an internal programmable serial clock or accept an external serial clock.

The AD73560 provides up to 13 general-purpose flag pins. The data input and output pins on SPORT1 can be alternatively configured as an input flag and an output

flag. In addition, there are eight flags that are programmable as inputs or outputs and three flags that are always outputs.

A programmable interval timer generates periodic interrupts. A 16-bit count register (TCOUNT) is decremented every  $n$  processor cycle, where  $n$  is a scaling value stored in an 8-bit register (TSCALE). When the value of the count register reaches zero, an interrupt is generated and the count register is reloaded from a 16-bit period register (TPERIOD).

## Serial Ports

The AD73560 incorporates two complete synchronous serial ports (SPORT0 and SPORT1) for serial communications and multiprocessor communication.

Here is a brief list of the capabilities of the AD73560 SPORTs. For additional information on Serial Ports, refer to the *ADSP-2100 Family User's Manual*, Third Edition.

- SPORTs are bidirectional and have a separate, double-buffered transmit and receive section.
- SPORTs can use an external serial clock or generate their own serial clock internally.
- SPORTs have independent framing for the receive and transmit sections. Sections run in a frameless mode or with frame synchronization signals internally or externally generated. Frame sync signals are active high or inverted, with either of two pulsewidths and timings.
- SPORTs support serial data word lengths from 3 to 16 bits and provide optional A-law and  $\mu$ -law companding according to CCITT recommendation G.711.
- SPORT receive and transmit sections can generate unique interrupts on completing a data word transfer.
- SPORTs can receive and transmit an entire circular buffer of data with only one overhead cycle per data word. An interrupt is generated after a data buffer transfer.
- SPORT0 has a multichannel interface to selectively receive and transmit a 24- or 32-word, time-division multiplexed, serial bitstream.
- SPORT1 can be configured to have two external interrupts (IRQ0 and IRQ1) and the Flag In and Flag Out signals. The internally generated serial clock may still be used in this configuration.

## DSP SECTION PIN DESCRIPTIONS

The AD73560 will be available in a 119 ball PBGA package. In order to maintain maximum functionality and reduce package size and pin count, some serial port, programmable flag, interrupt and external bus pins have dual, multiplexed functionality. The external bus pins are configured during **RESET** only, while serial port pins are software configurable during program execution. Flag and interrupt functionality is retained concurrently on multiplexed pins. In cases where pin functionality is reconfigurable, the default state is shown in plain text; alternate functionality is shown in italics. See Pin Descriptions on Page 10.

**Memory Interface Pins**

The AD73560 processor can be used in one of two modes, Full Memory Mode, which allows BDMA operation with full external overlay memory and I/O capability, or Host Mode, which allows IDMA operation with limited external addressing capabilities. The operating mode is determined by the state of the Mode C pin during RESET and cannot be changed while the processor is running. See tables for Full Memory Mode Pins and Host Mode Pins for descriptions.

**Full Memory Mode Pins (Mode C = 0)**

| Pin Name(s) | # of Pins | Input/Output | Function   |
|-------------|-----------|--------------|--|
| A13:0       | 14        | O            | Address Output Pins for Program, Data, Byte and I/O Spaces   |
| D23:0       | 24        | I/O          | Data I/O Pins for Program, Data, Byte and I/O Spaces (8 MSBs are also used as Byte Memory addresses) |

**Host Mode Pins (Mode C = 1)**

| Pin Name(s)       | # of Pins | Input/Output | Function   |
|-------------------|-----------|--------------|--|
| IAD15:0           | 16        | I/O          | IDMA Port Address/Data Bus                                 |
| A0                | 1         | O            | Address Pin for External I/O, Program, Data or Byte access |
| D23:8             | 16        | I/O          | Data I/O Pins for Program, Data Byte and I/O spaces        |
| $\overline{IWR}$  | 1         | I            | IDMA Write Enable  |
| $\overline{IRD}$  | 1         | I            | IDMA Read Enable   |
| IAL               | 1         | I            | IDMA Address Latch Pin                                     |
| $\overline{IS}$   | 1         | I            | IDMA Select  |
| $\overline{IACK}$ | 1         | O            | IDMA Port Acknowledge Configurable in Mode D; Open Source  |

In Host Mode, external peripheral addresses can be decoded using the A0,  $\overline{CMS}$ ,  $\overline{PMS}$ ,  $\overline{DMS}$  and  $\overline{IOMS}$  signals

**Terminating Unused Pin**

The following table shows the recommendations for terminating unused pins.

**Pin Terminations**

| Pin Name         | I/O 3-State (Z) | Reset State | Hi-Z* Caused By | Unused Configuration  |
|------------------|-----------------|-------------|-----------------|---|
| XTAL             | I               | I           |                 | Float   |
| CLKOUT           | O               | O           |                 | Float   |
| A13:1 or IAD12:0 | O (Z)           | Hi-Z        | BR, EBR         | Float   |
| A0               | O (Z)           | Hi-Z        | IS              | Float   |
| D23:8            | I/O (Z)         | Hi-Z        | BR, EBR         | Float   |
| D7 or IWR        | I/O (Z)         | Hi-Z        | BR, EBR         | Float High (Inactive)   |
| D6 or IRD        | I/O (Z)         | Hi-Z        | BR, EBR         | Float High (Inactive)   |
| D5 or IAL        | I/O (Z)         | Hi-Z        | I               | Float Low (Inactive)  |
| D4 or IS         | I/O (Z)         | Hi-Z        | BR, EBR         | Float High (Inactive)   |
| D3 or IACK       | I/O (Z)         | Hi-Z        | BR, EBR         | Float   |
| D2:0 or IAD15:13 | I/O (Z)         | Hi-Z        | BR, EBR         | Float   |
| PMS              | O (Z)           | O           | IS              | Float   |
| DMS              | O (Z)           | O           | BR, EBR         | Float   |
| BMS              | O (Z)           | O           | BR, EBR         | Float   |
| IOMS             | O (Z)           | O           | BR, EBR         | Float   |
| CMS              | O (Z)           | O           | BR, EBR         | Float   |
| RD               | O (Z)           | O           | BR, EBR         | Float   |
| WR               | O (Z)           | O           | BR, EBR         | Float   |
| BR               | I               | I           |                 | High (Inactive)   |
| BG               | O (Z)           | O           | EE              | Float   |
| BGH              | O               | O           |                 | Float   |
| IRQ2/PF7         | I/O (Z)         | I           |                 | Input = High (Inactive) or Program as Output, Set to 1, Let Float Input = High (Inactive) or Program as Output, |
| IRQL1/PF6        | I/O (Z)         | I           |                 | Set to 1, Let Float Input = High (Inactive) or Program as Output,   |
| IRQL0/PF5        | I/O (Z)         | I           |                 | Set to 1, Let Float Input = High (Inactive) or Program as Output,   |
| IRQE/PF4         | I/O (Z)         | I           |                 | Set to 1, Let Float Input = High (Inactive) or Program as Output,   |
| SCLK0 Low,       | I/O             | I           |                 | Set to 1, Let Float Input = High or   |
| RFS0             | I/O             | I           |                 | Output = Float High or Low  |
| DR0              | I               | I           |                 | High or Low   |

# AD73560

## Pin Terminations

| Pin Name | I/O 3-State (Z) | Reset State | Hi-Z* Caused By | Unused Configuration                |
|----------|-----------------|-------------|-----------------|-------------------------------------|
| TFS0     | I/O             | O           |                 | High or Low                         |
| DT0      | O               | O           |                 | Float                               |
| SCLK1    | I/O             | I           |                 | Input = High or Low, Output = Float |
| RFS1/RQ0 | I/O             | I           |                 | High or Low                         |
| DR1/FL1  | I               | I           |                 | High or Low                         |
| TFS1/RQ1 | I/O             | O           |                 | High or Low                         |
| DT1/FO   | O               | O           |                 | Float                               |
| EE       | I               | I           |                 |                                     |
| EBR      | I               | I           |                 |                                     |
| EBG      | O               | O           |                 |                                     |
| ERESET   | I               | I           |                 |                                     |
| EMS      | O               | O           |                 |                                     |
| EINT     | I               | I           |                 |                                     |
| ECLK     | I               | I           |                 |                                     |
| ELIN     | I               | I           |                 |                                     |
| ELOUT    | O               | O           |                 |                                     |

### NOTES

- \*Hi-Z = High Impedance.
- 1. If the CLKOUT pin is not used, turn it OFF.
- 2. If the Interrupt/Programmable Flag pins are not used, there are two options:  
Option 1: When these pins are configured as INPUTS at reset and function as interrupts and input flag pins, pull the pins High (inactive).  
Option 2: Program the unused pins as OUTPUTS, set them to 1, and let them float.
- 3. All bidirectional pins have three-stated outputs. When the pins is configured as an output, the output is Hi-Z (high impedance) when inactive.
- 4. CLKIN, RESET, and PF3:0 are not included in the table because these pins must be used.

### Interrupts

The interrupt controller allows the processor to respond to the eleven possible interrupts and RESET with minimum overhead. The AD73560 provides four dedicated external interrupt input pins,  $\overline{\text{IRQ2}}$ ,  $\overline{\text{IRQL0}}$ ,  $\overline{\text{IRQL1}}$  and  $\overline{\text{IRQE}}$ . In addition, SPORT1 may be reconfigured for  $\overline{\text{IRQ0}}$ ,  $\overline{\text{IRQ1}}$ , FLAG\_IN and FLAG\_OUT, for a total of six external interrupts. The AD73560 also supports internal interrupts from the timer, the byte DMA port, the two serial ports, software and the power-down control circuit. The interrupt levels are internally prioritized and individually maskable (except power down and reset). The  $\overline{\text{IRQ2}}$ ,  $\overline{\text{IRQ0}}$  and  $\overline{\text{IRQ1}}$  input pins can be programmed to be either level- or edge-sensitive.  $\overline{\text{IRQL0}}$  and  $\overline{\text{IRQL1}}$  are level-sensitive and  $\overline{\text{IRQE}}$  is edge sensitive. The priorities and vector addresses of all interrupts are shown in Table XIX.

Table XIX. Interrupt Priority and Interrupt Vector Addresses

| Source of Interrupt                         | Interrupt Vector Address (Hex) |
|---|--------------------------------|
| RESET (or Power-Up with PUCR = 1)           | 0000 (Highest Priority)        |
| Power-Down (Nonmaskable)                    | 002C                           |
| $\overline{\text{IRQ2}}$                    | 0004                           |
| $\overline{\text{IRQL1}}$                   | 0008                           |
| $\overline{\text{IRQL0}}$                   | 000C                           |
| SPORT0 Transmit                             | 0010                           |
| SPORT0 Receive                              | 0014                           |
| $\overline{\text{IRQE}}$                    | 0018                           |
| BDMA Interrupt                              | 001C                           |
| SPORT1 Transmit or $\overline{\text{IRQ1}}$ | 0020                           |
| SPORT1 Receive or $\overline{\text{IRQ0}}$  | 0024                           |
| Timer                                       | 0028 (Lowest Priority)         |

Interrupt routines can either be nested with higher priority interrupts taking precedence or processed sequentially. Interrupts can be masked or unmasked with the IMASK register. Individual interrupt requests are logically ANDed with the bits in IMASK; the highest priority unmasked interrupt is then selected. The power-down interrupt is nonmaskable.

The AD73560 masks all interrupts for one instruction cycle following the execution of an instruction that modifies the IMASK register. This does not affect serial port auto-buffering or DMA transfers.

The interrupt control register, ICNTL, controls interrupt nesting and defines the  $\overline{\text{IRQ0}}$ ,  $\overline{\text{IRQ1}}$  and  $\overline{\text{IRQ2}}$  external interrupts to be either edge- or level-sensitive. The  $\overline{\text{IRQE}}$  pin is an external edge-sensitive interrupt and can be forced and cleared. The  $\overline{\text{IRQL0}}$  and  $\overline{\text{IRQL1}}$  pins are external level-sensitive interrupts.

The IFC register is a write-only register used to force and clear interrupts. On-chip stacks preserve the processor status and are automatically maintained during interrupt handling. The stacks are twelve levels deep to allow interrupt, loop and subroutine nesting. The following instructions allow global enable or disable servicing of the interrupts (including power down), regardless of the state of IMASK. Disabling the interrupts does not affect serial port autobuffering or DMA.

ENAINTS;  
DISINTS;

When the processor is reset, interrupt servicing is enabled.

### LOW POWER OPERATION

The AD73560 has three low power modes that significantly reduce the power dissipation when the device operates under standby conditions. These modes are:

- Power-Down
- Idle
- Slow Idle

The CLKOUT pin may also be disabled to reduce external power dissipation.

**Power-Down**

The AD73560 processor has a low power feature that lets the processor enter a very low power dormant state through hardware or software control. Here is a brief list of power-down features. Refer to the *ADSP-2100 Family User's Manual*, Third Edition, "System Interface" chapter, for detailed information about the power-down feature.

- Quick recovery from power-down. The processor begins executing instructions in as few as 400 CLKIN cycles.
- Support for an externally generated TTL or CMOS processor clock. The external clock can continue running during power-down without affecting the 400 CLKIN cycle recovery.
- Support for crystal operation includes disabling the oscillator to save power (the processor automatically waits 4096 CLKIN cycles for the crystal oscillator to start and stabilize), and letting the oscillator run to allow 400 CLKIN cycle start up.
- Power-down is initiated by either the power-down pin ( $\overline{PWD}$ ) or the software power-down force bit. Interrupt support allows an unlimited number of instructions to be executed before optionally powering down. The power-down interrupt also can be used as a non-maskable, edge-sensitive interrupt.
- Context clear/save control allows the processor to continue where it left off or start with a clean context when leaving the power-down state.
- The  $\overline{RESET}$  pin also can be used to terminate power-down.
- Power-down acknowledge pin indicates when the processor has entered power-down.

**Idle**

When the AD73560 is in the Idle Mode, the processor waits indefinitely in a low power state until an interrupt occurs. When an unmasked interrupt occurs, it is serviced; execution then continues with the instruction following the *IDLE* instruction. In Idle Mode IDMA, BDMA and autobuffer cycle steals still occur.

**Slow Idle**

The *IDLE* instruction on the AD73560 slows the processor's internal clock signal, further reducing power consumption. The reduced clock frequency, a programmable fraction of the normal clock rate, is specified by a selectable divisor given in the *IDLE* instruction. The format of the instruction is

$$IDLE(n);$$

where  $n = 16, 32, 64$  or  $128$ . This instruction keeps the processor fully functional, but operating at the slower clock rate. While it is in this state, the processor's other internal clock signals, such as SCLK, CLKOUT and timer clock, are reduced by the same ratio. The default form of the instruction, when no clock divisor is given, is the standard *IDLE* instruction.

When the *IDLE* ( $n$ ) instruction is used, it effectively slows down the processor's internal clock and thus its response time to incoming interrupts. The one-cycle response time of the standard idle state is increased by  $n$ , the clock divisor. When an enabled interrupt is received, the AD73560 will remain in the idle state for up to a maximum of  $n$  processor cycles ( $n = 16, 32, 64$  or  $128$ ) before resuming normal operation.

When the *IDLE* ( $n$ ) instruction is used in systems that have an externally generated serial clock (SCLK), the serial clock rate may be faster than the processor's reduced internal clock rate. Under these conditions, interrupts must not be generated at a faster rate than can be serviced, due to the additional time the processor takes to come out of the idle state (a maximum of  $n$  processor cycles).

**SYSTEM INTERFACE**

Figure 10 shows a typical basic system configuration with the AD73560, two serial devices, a byte-wide EPROM, and optional external program and data overlay memories (mode selectable). Programmable wait state generation allows the processor to connect easily to slow peripheral devices. The AD73560 also provides four external interrupts and two serial ports or six external interrupts and one serial port. Host Memory Mode allows access to the full external data bus, but limits addressing to a single address bit (A0). Additional system peripherals can be added in this mode through the use of external hardware to generate and latch address signals.

**Clock Signals**

The AD73560 can be clocked by either a crystal or a TTL-compatible clock signal.

The CLKIN input cannot be halted, changed during operation or operated below the specified frequency during normal operation. The only exception is while the processor is in the power-down state. For additional information, refer to Chapter 9, *ADSP-2100 Family User's Manual, Third Edition*, for detailed information on this power-down feature.

If an external clock is used, it should be a TTL-compatible signal running at half the instruction rate. The signal is connected to the processor's CLKIN input. When an external clock is used, the XTAL input must be left unconnected.

# AD73560

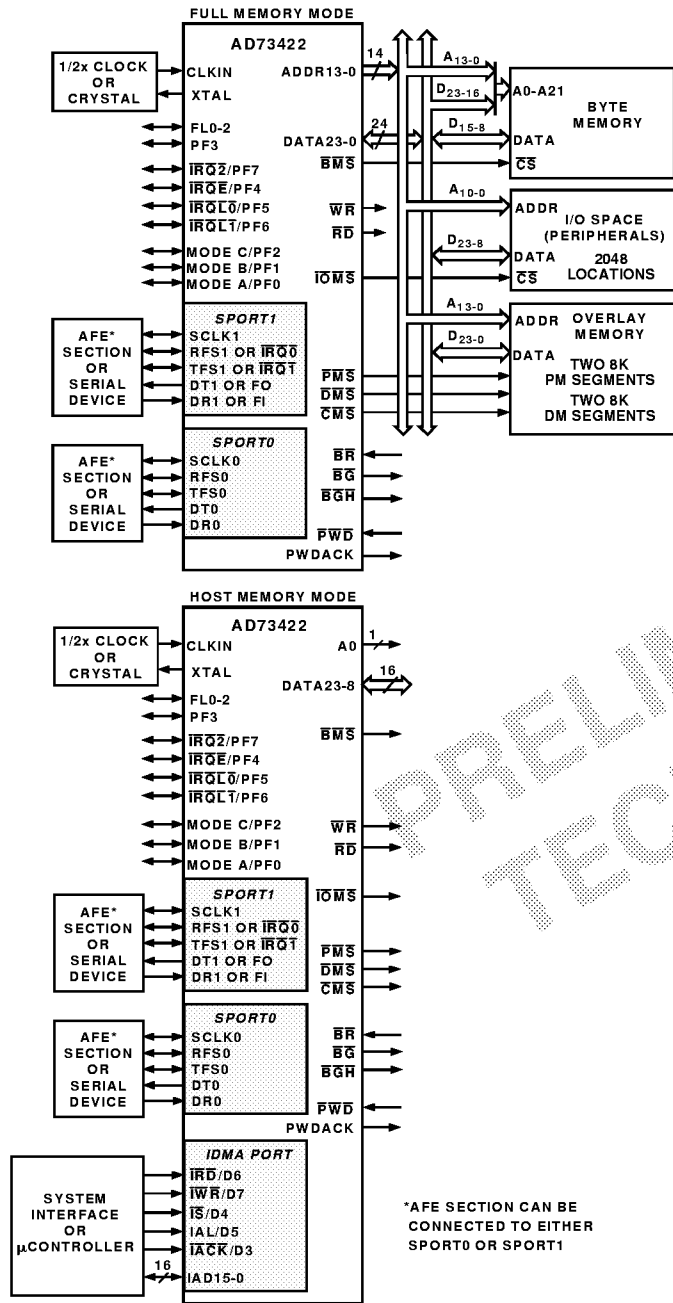


Figure 10. AD73560 Basic System Configuration

The AD73560 uses an input clock with a frequency equal to half the instruction rate; a 26.00 MHz input clock yields a 19 ns processor cycle (which is equivalent to 52 MHz). Normally, instructions are executed in a single processor cycle. All device timing is relative to the internal instruction clock rate, which is indicated by the CLKOUT signal when enabled.

Because the AD73560 includes an on-chip oscillator circuit, an external crystal may be used. The crystal should be connected across the CLKIN and XTAL pins, with two capacitors connected as shown in Figure 11. Capacitor values are dependent on crystal type and should be speci-

fied by the crystal manufacturer. A parallel-resonant, fundamental frequency, microprocessor-grade crystal should be used.

A clock output (CLKOUT) signal is generated by the processor at the processor's cycle rate. This can be enabled and disabled by the CLK0DIS bit in the SPORT0 Autobuffer Control Register.

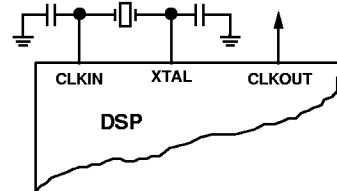


Figure 11. External Crystal Connections

## Reset

The  $\overline{\text{RESET}}$  signal initiates a master reset of the AD73560. The  $\overline{\text{RESET}}$  signal must be asserted during the power-up sequence to assure proper initialization.  $\overline{\text{RESET}}$  during initial power-up must be held long enough to allow the internal clock to stabilize. If  $\overline{\text{RESET}}$  is activated any time after power-up, the clock continues to run and does not require stabilization time.

The power-up sequence is defined as the total time required for the crystal oscillator circuit to stabilize after a valid  $V_{DD}$  is applied to the processor, and for the internal phase-locked loop (PLL) to lock onto the specific crystal frequency. A minimum of 2000 CLKIN cycles ensures that the PLL has locked, but does not include the crystal oscillator start-up time. During this power-up sequence the  $\overline{\text{RESET}}$  signal should be held low. On any subsequent resets, the  $\overline{\text{RESET}}$  signal must meet the minimum pulsewidth specification,  $t_{RSP}$ .

The  $\overline{\text{RESET}}$  input contains some hysteresis; however, if an RC circuit is used to generate the  $\overline{\text{RESET}}$  signal, an external Schmidt trigger is recommended.

The master reset sets all internal stack pointers to the empty stack condition, masks all interrupts and clears the MSTAT register. When  $\overline{\text{RESET}}$  is released, if there is no pending bus request and the chip is configured for booting, the boot-loading sequence is performed. The first instruction is fetched from on-chip program memory location 0x0000 once boot loading completes.

## MODES OF OPERATION

Table XX summarizes the AD73560 memory modes.

### Setting Memory Mode

Memory Mode selection for the AD73560 is made during chip reset through the use of the Mode C pin. This pin is multiplexed with the DSP's PF2 pin, so care must be taken in how the mode selection is made. The two methods for selecting the value of Mode C are active and passive.

**Passive configuration** involves the use a pull-up or pull-down resistor connected to the Mode C pin. To minimize



Table XXI. Modes of Operations<sup>1</sup>

| MODE C <sup>2</sup> | MODE B <sup>3</sup> | MODE A <sup>4</sup> | Bootng Method  |
|---------------------|---------------------|---------------------|--|
| 0                   | 0                   | 0                   | BDMA feature is used to load the first 32 program memory words from the byte memory space. Program execution is held off until all 32 words have been loaded. Chip is configured in Full Memory Mode. <sup>5</sup>                     |
| 0                   | 1                   | 0                   | No Automatic boot operations occur. Program execution starts at external memory location 0. Chip is configured in Full Memory Mode. BDMA can still be used, but the processor does not automatically use or wait for these operations. |
| 1                   | 0                   | 0                   | BDMA feature is used to load the first 32 program memory words from the byte memory space. Program execution is held off until all 32 words have been loaded. Chip is configured in Host Mode. <b>(REQUIRES ADDITIONAL HARDWARE.)</b>  |
| 1                   | 0                   | 1                   | IDMA feature is used to load any internal memory as desired. Program execution is held off until internal program memory location 0 is written to. Chip is configured in Host Mode. <sup>5</sup>                                       |

NOTES

<sup>1</sup>All mode pins are recognized while RESET is active (low).

<sup>2</sup>When Mode C = 0, Full Memory enabled. When Mode C = 1, Host Memory Mode enabled.

<sup>3</sup>When Mode B = 0, Auto Booting enabled. When Mode B = 1, no Auto Booting.

<sup>4</sup>When Mode A = 0, BDMA enabled. When Mode A = 1, IDMA enabled.

<sup>5</sup>Considered as standard operating settings. Using these configurations allows for easier design and better memory management.

power consumption, or if the PF2 pin is to be used as an output in the DSP application, a weak pull-up or pull-down, on the order of 100 k $\Omega$ , can be used. This value should be sufficient to pull the pin to the desired level and still allow the pin to operate as

a programmable flag output without undue strain on the processor's output driver. For minimum power consumption during power-down, reconfigure PF2 to be an input, as the pull-up or pull-down will hold the pin in a known state, and will not switch.

**Active configuration** involves the use of a three-statable external driver connected to the Mode C pin. A driver's output enable should be connected to the DSP's RESET signal such that it only drives the PF2 pin when RESET is active (low). When RESET is deasserted, the driver should three-state, thus allowing full use of the PF2 pin as either an input or output. To minimize power consumption during power-down, configure the programmable flag as an output when connected to a three-stated buffer. This ensures that the pin will be held at a constant level and not oscillate should the three-state driver's level hover around the logic switching point.

**MEMORY ARCHITECTURE**

The AD73560 provides a variety of memory and peripheral interface options. The key functional groups are Program Memory, Data Memory, Byte Memory, and I/O. Refer to the following figures and tables for PM and DM memory allocations in the AD73560.

**PROGRAM MEMORY**

**Program Memory (Full Memory Mode)** is a 24-bit-wide space for storing both instruction opcodes and data. The

AD73560-80 has 16K words of Program Memory RAM on chip (the AD73560-40 has 8K words of Program Memory RAM on chip), and the capability of accessing up to two 8K external memory overlay spaces using the external data bus.

**Program Memory (Host Mode)** allows access to all internal memory. External overlay access is limited by a single external address line (A0). External program execution is not available in host mode due to a restricted data bus that is 16-bits wide only.

Table XXI. PMOVLAY Bits

| PMOVLAY | Memory    | A13            | A12:0                     |
|---------|-----------|----------------|---------------------------|
| 0,      | Internal  | Not Applicable | Not Applicable            |
| 1       | External  | 0              | 13 LSBs of Address        |
|         | Overlay 1 |                | Between 0x2000 and 0x3FFF |
| 2       | External  | 1              | 13 LSBs of Address        |
|         | Overlay 2 |                | Between 0x2000 and 0x3FFF |

# AD73560

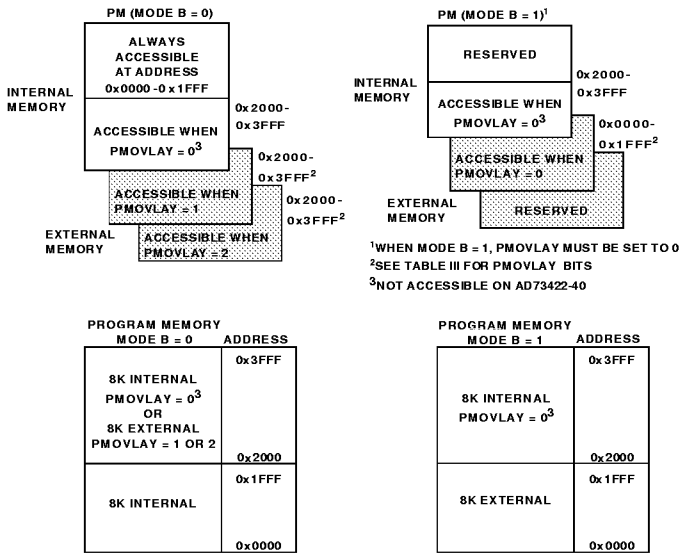


Figure 12. Program Memory Map

## DATA MEMORY

**Data Memory (Full Memory Mode)** is a 16-bit-wide space used for the storage of data variables and for memory-mapped control registers. The AD73560-80 has 16K words on Data Memory RAM on chip (the AD73560-40 has 8K words on Data Memory RAM on chip), consisting of 16,352 user-accessible locations in the case of the AD73560-80 ( 8,160 user-accessible locations in the case of the AD73560-40) and 32 memory-mapped registers. Support also exists for up to two 8K external memory overlay spaces through the external data bus. All internal accesses complete in one cycle. Accesses to external memory are timed using the wait states specified by the DWAIT register.

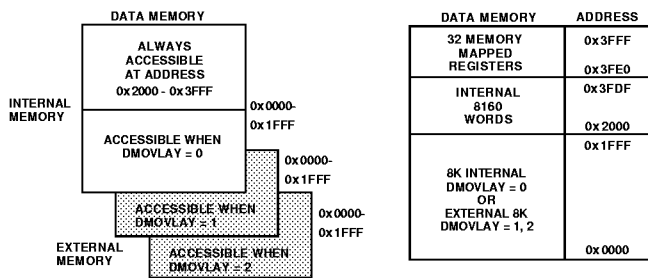


Figure 13. Data Memory Map

Data Memory (Host Mode) allows access to all internal memory. External overlay access is limited by a single external address line (A0). The DMOVLAY bits are defined in Table XXII.

Table XXII. DMOVLAY Bits

| DMOVLAY | Memory    | A13            | A12:0                     |
|---------|-----------|----------------|---------------------------|
| 0,      | Internal  | Not Applicable | Not Applicable            |
| 1       | External  | 0              | 13 LSBs of Address        |
|         | Overlay 1 |                | Between 0x2000 and 0x3FFF |
| 2       | External  | 1              | 13 LSBs of Address        |
|         | Overlay 2 |                | Between 0x2000 and 0x3FFF |

## I/O Space (Full Memory Mode)

The AD73560 supports an additional external memory space called I/O space. This space is designed to support simple connections to peripherals (such as data converters and external registers) or to bus interface ASIC data registers. I/O space supports 2048 locations of 16-bit wide data. The lower eleven bits of the external address bus are used; the upper three bits are undefined. Two instructions were added to the core ADSP-2100 Family instruction set to read from and write to I/O memory space. The I/O space also has four dedicated 3-bit wait state registers, IOWAIT0-3, that specify up to seven wait states to be automatically generated for each of four regions. The wait states act on address ranges as shown in Table XXIII.

Table XXIII. Wait States

| Address Range | Wait State Register |
|---------------|---------------------|
| 0x000-0x1FF   | IOWAIT0             |
| 0x200-0x3FF   | IOWAIT1             |
| 0x400-0x5FF   | IOWAIT2             |
| 0x600-0x7FF   | IOWAIT3             |

## Composite Memory Select ( $\overline{\text{CMS}}$ )

The AD73560 has a programmable memory select signal that is useful for generating memory select signals for memories mapped to more than one space. The  $\overline{\text{CMS}}$  signal is generated to have the same timing as each of the individual memory select signals ( $\overline{\text{PMS}}$ ,  $\overline{\text{DMS}}$ ,  $\overline{\text{BMS}}$ ,  $\overline{\text{IOMS}}$ ) but can combine their functionality.

Each bit in the CMSSEL register, when set, causes the  $\overline{\text{CMS}}$  signal to be asserted when the selected memory select is asserted. For example, to use a 32K word memory to act as both program and data memory, set the  $\overline{\text{PMS}}$  and  $\overline{\text{DMS}}$  bits in the CMSSEL register and use the  $\overline{\text{CMS}}$  pin to drive the chip select of the memory; use either  $\overline{\text{DMS}}$  or  $\overline{\text{PMS}}$  as the additional address bit.

The  $\overline{\text{CMS}}$  pin functions like the other memory select signals, with the same timing and bus request logic. A 1 in the enable bit causes the assertion of the  $\overline{\text{CMS}}$  signal at

the same time as the selected memory select signal. All enable bits default to 1 at reset, except the  $\overline{\text{BMS}}$  bit.

**Boot Memory Select ( $\overline{\text{BMS}}$ ) Disable**

The AD73560 also lets you boot the processor from one external memory space while using a different external memory space for BDMA transfers during normal operation. You can use the  $\overline{\text{CMS}}$  to select the first external memory space for BDMA transfers and  $\overline{\text{BMS}}$  to select the second external memory space for booting. The  $\overline{\text{BMS}}$  signal can be disabled by setting Bit 3 of the System Control Register to 1. The System Control Register is illustrated in Figure 14.

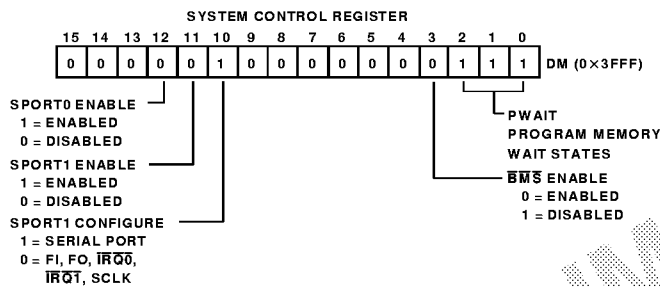


Figure 14. System Control Register

**Byte Memory**

The byte memory space is a bidirectional, 8-bit-wide, external memory space used to store programs and data. Byte memory is accessed using the BDMA feature. The BDMA Control Register is shown in Figure 15. The byte memory space consists of 256 pages, each of which is 16K X 8.

The byte memory space on the AD73560 supports read and write operations as well as four different data formats. The byte memory uses data bits 15:8 for data. The byte memory uses data bits 23:16 and address bits 13:0 to create a 22-bit address. This allows up to a 4 meg \* 8 (32 megabit) ROM or RAM to be used without glue logic. All byte memory accesses are timed by the BMWAIT register.

**Byte Memory DMA (BDMA, Full Memory Mode)**

The Byte memory DMA controller allows loading and storing of program instructions and data using the byte memory space. The BDMA circuit is able to access the byte memory space while the processor is operating normally, and steals only one DSP cycle per 8-, 16- or 24-bit word transferred.

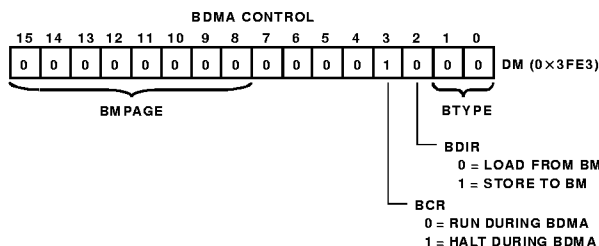


Figure 15. BDMA Control Register

The BDMA circuit supports four different data formats that are selected by the BTYPE register field. The appropriate number of 8-bit accesses are done from the byte

memory space to build the word size selected. Table XXIV shows the data formats supported by the BDMA circuit.

Table XXIV. Data Formats

| BTYPE | Internal Memory Space | Word Size | Alignment |
|-------|-----------------------|-----------|-----------|
| 00    | Program Memory        | 24        | Full Word |
| 01    | Data Memory           | 16        | Full Word |
| 10    | Data Memory           | 8         | MSBs      |
| 11    | Data Memory           | 8         | LSBs      |

Unused bits in the 8-bit data memory formats are filled with 0s. The BIAD register field is used to specify the starting address for the on-chip memory involved with the transfer. The 14-bit BEAD register specifies the starting address for the external byte memory space. The 8-bit BMPAGE register specifies the starting page for the external byte memory space. The BDIR register field selects the direction of the transfer. Finally the 14-bit BWCOUNT register specifies the number of DSP words to transfer and initiates the BDMA circuit transfers.

BDMA accesses can cross page boundaries during sequential addressing. A BDMA interrupt is generated on the completion of the number of transfers specified by the BWCOUNT register.

The BWCOUNT register is updated after each transfer so it can be used to check the status of the transfers. When it reaches zero, the transfers have finished and a BDMA interrupt is generated. The BMPAGE and BEAD registers must not be accessed by the DSP during BDMA operations.

The source or destination of a BDMA transfer will always be on-chip program or data memory.

When the BWCOUNT register is written with a nonzero value, the BDMA circuit starts executing byte memory accesses with wait states set by BMWAIT. These accesses continue until the count reaches zero. When enough accesses have occurred to create a destination word, it is transferred to or from on-chip memory. The transfer takes one DSP cycle. DSP accesses to external memory have priority over BDMA byte memory accesses.

The BDMA Context Reset bit (BCR) controls whether or not the processor is held off while the BDMA accesses are occurring. Setting the BCR bit to 0 allows the processor to continue operations. Setting the BCR bit to 1 causes the processor to stop execution while the BDMA accesses are occurring, to clear the context of the processor and start execution at address 0 when the BDMA accesses have completed.

The BDMA overlay bits specify the OVLAY memory blocks to be accessed for internal memory.

**Internal Memory DMA Port (IDMA Port; Host Memory Mode)**

The IDMA Port provides an efficient means of communication between a host system and the AD73560. The port is used to access the on-chip program memory and data memory of the DSP with only one DSP cycle per word

# AD73560

overhead. The IDMA port cannot be used, however, to write to the DSP's memory-mapped control registers. A typical IDMA transfer process is described as follows:

1. Host starts IDMA transfer.
2. Host checks  $\overline{\text{IACK}}$  control line to see if the DSP is busy.
3. Host uses  $\overline{\text{IS}}$  and IAL control lines to latch either the DMA starting address (IDMAA) or the PM/DMA OVLAY selection into the DSP's IDMA control registers.

If IAD[15] = 1, the value of IAD[7:0] represent the IDMA overlay: IAD[14:8] must be set to 0.

If IAD[15] = 0, the value of IAD[13:0] represent the starting address of internal memory to be accessed and IAD[14] reflects PM or DM for access.

4. Host uses  $\overline{\text{IS}}$  and  $\overline{\text{IRD}}$  (or  $\overline{\text{IWR}}$ ) to read (or write) DSP internal memory (PM or DM).
5. Host checks IACK line to see if the DSP has completed the previous IDMA operation.
6. Host ends IDMA transfer.

The IDMA port has a 16-bit multiplexed address and data bus and supports 24-bit program memory. The IDMA port is completely asynchronous and can be written to while the AD73560 is operating at full speed.

The DSP memory address is latched and then automatically incremented after each IDMA transaction. An external device can therefore access a block of sequentially addressed memory by specifying only the starting address of the block. This increases throughput as the address does not have to be sent for each memory access.

IDMA Port access occurs in two phases. The first is the IDMA Address Latch cycle. When the acknowledge is asserted, a

14-bit address and 1-bit destination type can be driven onto the bus by an external device. The address specifies an on-chip memory location; the destination type specifies whether it is a DM or PM access. The falling edge of the address latch signal latches this value into the IDMAA register.

Once the address is stored, data can either be read from or written to the AD73560's on-chip memory. Asserting the select line ( $\overline{\text{IS}}$ ) and the appropriate read or write line ( $\overline{\text{IRD}}$  and  $\overline{\text{IWR}}$  respectively) signals the AD73560 that a particular transaction is required. In either case, there is a one-processor-cycle delay for synchronization. The memory access consumes one additional processor cycle.

Once an access has occurred, the latched address is automatically incremented and another access can occur.

Through the IDMAA register, the DSP can also specify the starting address and data format for DMA operation. Asserting the IDMA port select ( $\overline{\text{IS}}$ ) and address latch enable (IAL) directs the AD73560 to write the address onto the IAD0-14 bus into the IDMA Control Register. If IAD[15] is set to 0, IDMA latches the address. If IAD[15] is set to 1, IDMA latches OVLAY memory.

The IDMA OVLAY and address are stored in separate memory-mapped registers. The IDMAA register, shown below, is memory mapped at address DM (0x3FE0). Note that the latched address (IDMAA) cannot be read back by the host. The IDMA OVLAY register is memory mapped at address DM (0x3FE7). See Figure 16 for more information on IDMA and DMA memory maps.

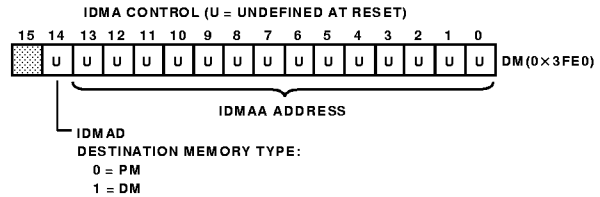


Figure 16. IDMA Control/OVLAY Registers

## Bootstrap Loading (Booting)

The AD73560 has two mechanisms to allow automatic loading of the internal program memory after reset. The method for booting after reset is controlled by the Mode A, B and C configuration bits.

When the mode pins specify BDMA booting, the AD73560 initiates a BDMA boot sequence when reset is released.

The BDMA interface is set up during reset to the following defaults when BDMA booting is specified: the BDIR, BMPAGE, BIAD and BEAD registers are set to 0, the BTYPE register is set to 0 to specify program memory 24-bit words, and the BWCOUNT register is set to 32. This causes 32 words of on-chip program memory to be loaded from byte memory. These 32 words are used to set up the BDMA to load in the remaining program code. The BCR bit is also set to 1, which causes program execution to be held off until all 32 words are loaded into on-chip program memory. Execution then begins at address 0.

The ADSP-2100 Family Development Software (Revision 5.02 and later) fully supports the BDMA booting feature and can generate byte memory space compatible boot code.

The IDLE instruction can also be used to allow the processor to hold off execution while booting continues through the BDMA interface. For BDMA accesses while in Host Mode, the addresses to boot memory must be constructed externally to the AD73560. The only memory address bit provided by the processor is A0.

## IDMA Port Booting

The AD73560 can also boot programs through its Internal DMA port. If Mode C = 1, Mode B = 0 and Mode A = 1, the AD73560 boots from the IDMA port. IDMA feature can load as much on-chip memory as desired. Program execution is held off until on-chip program memory location 0 is written to.

## Bus Request and Bus Grant (Full Memory Mode)

The AD73560 can relinquish control of the data and address buses to an external device. When the external device requires access to memory, it asserts the bus request (BR) signal. If the AD73560 is not performing an external

memory access, it responds to the active BR input in the following processor cycle by:

- three-stating the data and address buses and the  $\overline{\text{PMS}}$ ,  $\overline{\text{DMS}}$ ,  $\overline{\text{BMS}}$ ,  $\overline{\text{CMS}}$ ,  $\overline{\text{IOMS}}$ ,  $\overline{\text{RD}}$ ,  $\overline{\text{WR}}$  output drivers,
- asserting the bus grant ( $\overline{\text{BG}}$ ) signal, and
- halting program execution.

If Go Mode is enabled, the AD73560 will not halt program execution until it encounters an instruction that requires an external memory access.

If the AD73560 is performing an external memory access when the external device asserts the  $\overline{\text{BR}}$  signal, it will not three-state the memory interfaces or assert the  $\overline{\text{BG}}$  signal until the processor cycle after the access completes. The instruction does not need to be completed when the bus is granted. If a single instruction requires two external memory accesses, the bus will be granted between the two accesses.

When the  $\overline{\text{BR}}$  signal is released, the processor releases the  $\overline{\text{BG}}$  signal, reenables the output drivers and continues program execution from the point at which it stopped.

The bus request feature operates at all times, including when the processor is booting and when  $\overline{\text{RESET}}$  is active.

The  $\overline{\text{BGH}}$  pin is asserted when the AD73560 is ready to execute an instruction, but is stopped because the external bus is already granted to another device. The other device can release the bus by deasserting bus request. Once the bus is released, the AD73560 deasserts  $\overline{\text{BG}}$  and  $\overline{\text{BGH}}$  and executes the external memory access.

#### Flag I/O Pins

The AD73560 has eight general purpose programmable input/output flag pins. They are controlled by two memory mapped registers. The PFTYPE register determines the direction, 1 = output and 0 = input. The PFDATA register is used to read and write the values on the pins. Data being read from a pin configured as an input is synchronized to the AD73560's clock. Bits that are programmed as outputs will read the value being output. The PF pins default to input during reset.

In addition to the programmable flags, the AD73560 has five fixed-mode flags, FLAG\_IN, FLAG\_OUT, FL0, FL1 and FL2. FL0-FL2 are dedicated output flags. FLAG\_IN and FLAG\_OUT are available as an alternate configuration of SPORT1.

Note: Pins PF0, PF1, PF2 and PF3 are also used for device configuration during reset.

#### INSTRUCTION SET DESCRIPTION

The AD73560 assembly language instruction set has an algebraic syntax that was designed for ease of coding and readability. The assembly language, which takes full advantage of the processor's unique architecture, offers the following benefits:

- The algebraic syntax eliminates the need to remember cryptic assembler mnemonics. For example, a typical

arithmetic add instruction, such as  $\text{AR} = \text{AX0} + \text{AY0}$ , resembles a simple equation.

- Every instruction assembles into a single, 24-bit word that can execute in a single instruction cycle.
- The syntax is a superset ADSP-2100 Family assembly language and is completely source and object code compatible with other family members. Programs may need to be relocated to utilize on-chip memory and conform to the AD73560's interrupt vector and reset vector map.
- Sixteen condition codes are available. For conditional jump, call, return or arithmetic instructions, the condition can be checked and the operation executed in the same instruction cycle.
- Multifunction instructions allow parallel execution of an arithmetic instruction with up to two fetches or one write to processor memory space during a single instruction cycle.

#### DESIGNING AN EZ-ICE-COMPATIBLE SYSTEM

The AD73560 has on-chip emulation support and an ICE-Port, a special set of pins that interface to the EZ-ICE. These features allow in-circuit emulation without replacing the target system processor by using only a 14-pin connection from the target system to the EZ-ICE. Target systems must have a 14-pin connector to accept the EZ-ICE's in-circuit probe, a 14-pin plug. See the ADSP-2100 Family EZ-Tools data sheet for complete information on ICE products.

Issuing the chip reset command during emulation causes the DSP to perform a full chip reset, including a reset of its memory mode. Therefore, it is vital that the mode pins are set correctly PRIOR to issuing a chip reset command from the emulator user interface. If you are using a passive method of maintaining mode information (as discussed in Setting Memory Modes) then it does not matter that the mode information is latched by an emulator reset. However, if you are using the RESET pin as a method of setting the value of the mode pins, then you have to take into consideration the effects of an emulator reset.

One method of ensuring that the values located on the mode pins are those desired is to construct a circuit like the one shown in Figure 17. This circuit forces the value located on the Mode A pin to logic high; regardless if it latched via the  $\overline{\text{RESET}}$  or  $\overline{\text{ERESET}}$  pin.

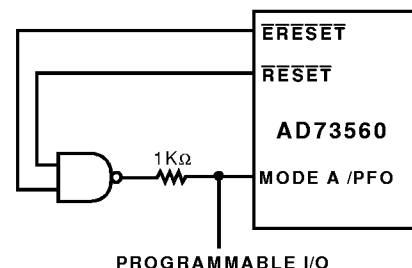


Figure 17. Mode A Pin/EZ-ICE Circuit

# AD73560

The ICE-Port interface consists of the following AD73560 pins:

|        |       |
|--------|-------|
| EBR    | EBG   |
| ERESET | EMS   |
| EINT   | ECLK  |
| ELIN   | ELOUT |
| EE     |       |

These AD73560 pins must be connected *only* to the EZ-ICE connector in the target system. These pins have no function except during emulation, and do not require pull-up or pull-down resistors. The traces for these signals between the AD73560 and the connector must be kept as short as possible, no longer than three inches.

The following pins are also used by the EZ-ICE:

|       |     |
|-------|-----|
| BR    | BG  |
| RESET | GND |

The EZ-ICE uses the EE (emulator enable) signal to take control of the AD73560 in the target system. This causes the processor to use its ERESET, EBR and EBG pins instead of the RESET, BR and BG pins. The BG output is three-stated. These signals do not need to be jumper-isolated in your system.

The EZ-ICE connects to your target system via a ribbon cable and a 14-pin female plug. The ribbon cable is 10 inches in length with one end fixed to the EZ-ICE. The female plug is plugged onto the 14-pin connector (a pin strip header) on the target board.

### Target Board Connector for EZ-ICE Probe

The EZ-ICE connector (a standard pin strip header) is shown in Figure 18. You must add this connector to your target board design if you intend to use the EZ-ICE. Be sure to allow enough room in your system to fit the EZ-ICE probe onto the 14-pin connector.

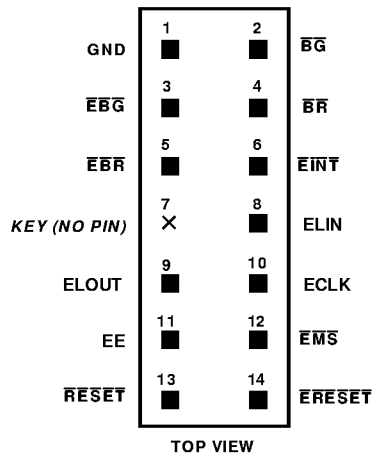


Figure 18. Target Board Connector for EZ-ICE

The 14-pin, 2-row pin strip header is keyed at the Pin 7 location—you must remove Pin 7 from the header. The pins must be 0.025 inch square and at least 0.20 inch in length. Pin spacing should be 0.1 x 0.1 inches. The pin strip header must have at least 0.15 inch clearance on all sides to accept the EZ-ICE probe plug.

Pin strip headers are available from vendors such as 3M, McKenzie and Samtec.

### Target Memory Interface

For your target system to be compatible with the EZ-ICE emulator, it must comply with the memory interface guidelines listed below.

### PM, DM, BM, IOM and CM

Design your Program Memory (PM), Data Memory (DM), Byte Memory (BM), I/O Memory (IOM) and Composite Memory (CM) external interfaces to comply with worst case

device timing requirements and switching characteristics as specified in the DSP's data sheet. The performance of the EZ-ICE may approach published worst case specification for some memory access timing requirements and switching characteristics.

Note: If your target does not meet the worst case chip specification for memory access parameters, you may not be able to emulate your circuitry at the desired CLKIN frequency. Depending on the severity of the specification violation, you may have trouble manufacturing your system as DSP components statistically vary in switching characteristic and timing requirements within published limits.

**Restriction:** All memory strobe signals on the AD73560 ( $\overline{RD}$ ,  $\overline{WR}$ ,  $\overline{PMS}$ ,  $\overline{DMS}$ ,  $\overline{BMS}$ ,  $\overline{CMS}$  and  $\overline{IOMS}$ ) used in your target system must have 10 kW pull-up resistors connected when the EZ-ICE is being used. The pull-up resistors are necessary because there are no internal pull-ups to guarantee their state during prolonged three-state conditions resulting from typical EZ-ICE debugging sessions. These resistors may be removed at your option when the EZ-ICE is not being used.

### Target System Interface Signals

When the EZ-ICE board is installed, the performance on some system signals changes. Design your system to be compatible with the following system interface signal changes introduced by the EZ-ICE board:

- EZ-ICE emulation introduces an 8 ns propagation delay between your target circuitry and the DSP on the  $\overline{RESET}$  signal.
- EZ-ICE emulation introduces an 8 ns propagation delay between your target circuitry and the DSP on the  $\overline{BR}$  signal.
- EZ-ICE emulation ignores RESET and BR when single-stepping.
- EZ-ICE emulation ignores  $\overline{RESET}$  and  $\overline{BR}$  when in Emulator Space (DSP halted).
- EZ-ICE emulation ignores the state of target  $\overline{BR}$  in certain modes. As a result, the target system may take control of the DSP's external memory bus *only* if bus grant (BG) is asserted by the EZ-ICE board's DSP.

**FLASH MEMORY DESCRIPTION**

The AD73560 features a 64K x 8 CMOS page mode EEPROM which can be written with a 3.0-volt-only power supply. Internal erase/program is transparent to the user.

Featuring high performance page write, the AD73560's flash memory provides a typical byte-write time of 39  $\mu$ sec. The entire memory, i.e., 64K bytes, can be written page by page in as little as 2.5 seconds, when using interface features such as Toggle Bit or Data Polling to indicate the completion of a write cycle. To protect against inadvertent write, the AD73560 has on-chip hardware and software data protection schemes.

The AD73560's flash memory has a guaranteed page-write endurance of  $10^4$  or  $10^3$  cycles. Data retention is rated at greater than 100 years. The AD73560 is suited for applications that require convenient and economical updating of program, configuration, or data memory.

**Flash Memory Connection**

The flash memory section of the AD73560 is configured on the byte-wide DMA bus (BDMA) of the DSP section as shown in Figure 19. Hence if boot operation is required from the AD73560's internal flash memory, the boot mode selection pins Mode A, Mode B and Mode C should be set to zero (0).

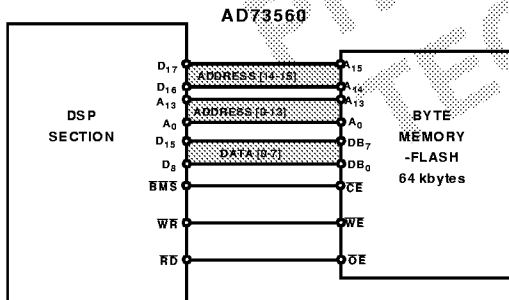


Figure 19. Flash Interface to DSP section

**Device Operation**

The AD73560's page mode EEPROM offers in-circuit electrical write capability. The AD73560 does not require separate erase and program operations. The internally timed write cycle executes both erase and program transparently to the user. The AD73560 has industry standard optional Software Data Protection, which is recommended to be always enabled.

**Read**

The read operation of the AD73560 is controlled by  $\overline{\text{BMS}}$  and  $\overline{\text{RD}}$ , both have to be low for the DSP section to obtain data from the flash section.  $\overline{\text{BMS}}$  is used for device selection. When  $\overline{\text{BMS}}$  is high, the flash memory is deselected and only standby power is consumed.  $\overline{\text{RD}}$  is the output control and is used to gate data from the flash output pins. The data bus is in high impedance state when either  $\overline{\text{BMS}}$  or  $\overline{\text{RD}}$  is high. Refer to the read cycle timing diagram (Figure 21) for further details.

**Write**

The write operation consists of three steps. The first step is the optional three byte load sequence for Software Data Protection. This is an optional first step in the write operation, but highly recommended to ensure proper data integrity. Step 2 is the byte-load cycle to a page buffer of the flash. Step 3 is an internally controlled write cycle for writing the data loaded in the page buffer into the memory array for nonvolatile storage. During the byte-load cycle, the addresses are latched by the falling edge of either  $\overline{\text{BMS}}$  or  $\overline{\text{WR}}$ , whichever occurs last. The data is latched by the rising edge of either  $\overline{\text{BMS}}$  or  $\overline{\text{WR}}$ , whichever occurs first. The internal write cycle is initiated by a timer after the rising edge of  $\overline{\text{WR}}$  or  $\overline{\text{BMS}}$ , whichever occurs first. The write cycle, once initiated, will continue to completion, typically within 5 ms. See Figures 22 and 23 for  $\overline{\text{WR}}$  and  $\overline{\text{BMS}}$  controlled page write cycle timing diagrams. The write operation has three functional cycles: the optional Software Data Protection load sequence, the page

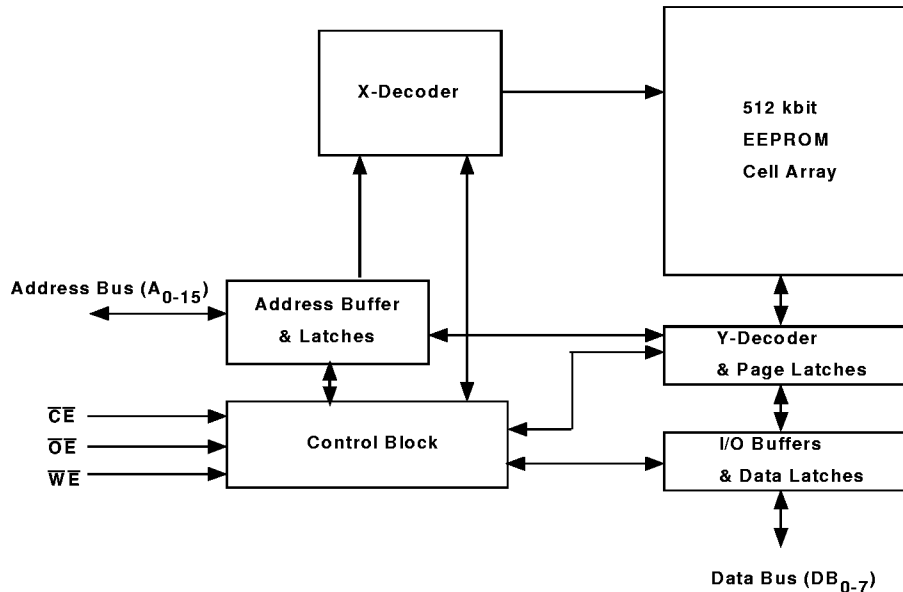


Figure 20. Flash Memory Organisation

# AD73560

load cycle and the internal write cycle. The Software Data Protection consists of a specific three byte load sequence that will leave the AD73560 protected at the end of the page write. The page load cycle consists of loading 1 to 128 bytes of data into the page buffer. The internal write cycle consists of the  $T_{BLCO}$  timeout and the write timer operation. During the write operation, the only valid reads are Data Polling and Toggle Bit. The page-write operation allows the loading of up to 128 bytes of data into the page buffer of the AD73560 flash before the initiation of the internal write cycle. During the internal write cycle, all the data in the page buffer is written simultaneously into the memory array. Hence, the page-write feature of AD73560 allows the entire memory to be written in as little as 2.5 seconds. During the internal write cycle, the host is free to perform additional tasks, such as to fetch data from other locations in the system to set up the write to the next page. In each page-write operation, all the bytes that are loaded into the page buffer must have the same page address, i.e., A7 through A15. Any byte not loaded with user data will be written to FF. See Figures 22 and 23 for the page-write cycle timing diagrams. If after the initial byte-load cycle, the host loads a second byte into the page buffer within a byte-load cycle time ( $T_{BLC}$ ) of 100  $\mu$ s, the AD73560 will stay in the page load cycle. Additional bytes are then loaded consecutively. The page load cycle will be terminated if no additional byte is loaded into the page buffer within 200  $\mu$ s ( $T_{BLCO}$ ) from the last byte-load cycle, i.e., no subsequent  $\overline{WR}$  or  $\overline{BMS}$  high-to-low transition after the last rising edge of  $\overline{WR}$  or  $\overline{BMS}$ . Data in the page buffer can be changed by a subsequent byte-load cycle. The page load period can continue indefinitely, as long as the host continues to load the device within the byte-load cycle time of 100  $\mu$ s. The page to be loaded is determined by the page address of the last byte loaded.

## Write Operation Status Detection

The AD73560 provides two software means to detect the completion of a write cycle, in order to optimize the system write cycle time. The software detection includes two status bits: Data Polling (DQ7) and Toggle Bit (DQ6). The end of write detection mode is enabled after the rising WE or CE whichever occurs first, which initiates the internal write cycle. The actual completion of the nonvolatile write is asynchronous with the system; therefore, either a Data Polling or Toggle Bit read may be simultaneous with the completion of the write cycle. If this occurs, the system may possibly get an erroneous result, i.e., valid data may appear to conflict with either DQ7 or DQ6. In order to prevent spurious rejection, if an erroneous result occurs, the software routine should include a loop to read the accessed location an additional two (2) times. If both reads are valid, then the device has completed the write cycle, otherwise the rejection is valid.

## Data Polling (DQ7)

When the AD73560 is in the internal write cycle, any attempt to read DQ7 of the last byte loaded during the byte-load cycle will receive the complement of the true data. Once the write cycle is completed, DQ7 will show

true data. The device is then ready for the next operation. See Figure 24 for Data Polling timing diagram.

## Toggle Bit (DQ6)

During the internal write cycle, any consecutive attempts to read DQ6 will produce alternating 0's and 1's, i.e., toggling between 0 and 1. When the write cycle is completed, the toggling will stop. The device is then ready for the next operation. See Figure 25 for Toggle Bit timing diagram. The initial read of the Toggle Bit will be a "1".

## Data Protection

The AD73560 provides both hardware and software features to protect nonvolatile data from inadvertent writes.

### Hardware Data Protection

**Noise/Glitch Protection:** A  $\overline{WR}$  or  $\overline{BMS}$  pulse of less than 5 ns will not initiate a write cycle. VDD Power Up/Down Detection: The write operation is inhibited when VDD is less than 2.5V.

**Write Inhibit Mode:** Forcing  $\overline{RD}$  low,  $\overline{BMS}$  high, or  $\overline{WR}$  high will inhibit the write operation. This prevents inadvertent writes during power-up or power-down.

### Software Data Protection (SDP)

The AD73560 flash-memory provides the JEDEC approved optional software data protection scheme for all data alteration operations, i.e., write and chip erase. With this scheme, any write operation requires the inclusion of a series of three byte-load operations to precede the data loading operation. The three byte-load sequence is used to initiate the write cycle, providing optimal protection from inadvertent write operations, e.g., during the system power-up or power-down. The AD73560 is shipped with the software data protection disabled. The software protection scheme can be enabled by applying a three-byte sequence to the device, during a page-load cycle (Figures 22 and 23). The device will then be automatically set into the data protect mode. Any subsequent write operation will require the preceding three-byte sequence. See Figures 22 and 23 for the timing diagrams. To set the device into the unprotected mode, a six-byte sequence is required. See Figure 26 for the timing diagram. If a write is attempted while SDP is enabled the device will be in a non-accessible state for ~ 300  $\mu$ s. It is recommended that Software Data Protection always be enabled.

The AD73560 Software Data Protection is a global command, protecting (or unprotecting) all pages in the entire memory array once enabled (or disabled). Therefore using SDP for a single page write will enable SDP for the entire array. Single pages by themselves cannot be SDP enabled or disabled. Single power supply reprogrammable nonvolatile memories may be unintentionally altered. SST strongly recommends that Software Data Protection (SDP) always be enabled. The AD73560 should be programmed using the SDP command sequence. It is recommended that the SDP Disable Command Sequence not be issued to the device prior to writing.



**Software Chip-Erase**

The AD73560 provides a flash-erase operation, which allows the user to simultaneously clear the entire flash-memory array to the “1” state. This is useful when the entire flash memory must be quickly erased. The Software

Flash-Erase operation is initiated by using a specific six byte-load sequence. After the load sequence, the device enters into an internally timed cycle similar to the write cycle. During the erase operation, the only valid read is Toggle Bit. See Figure 27 for timing diagram.

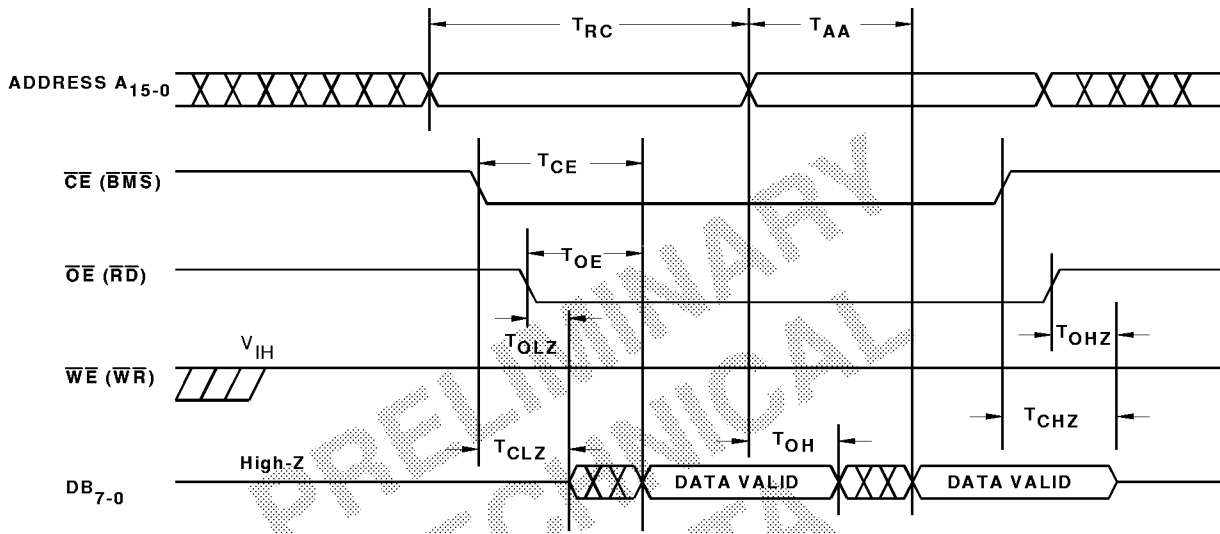


Figure 21. Read Cycle Timing

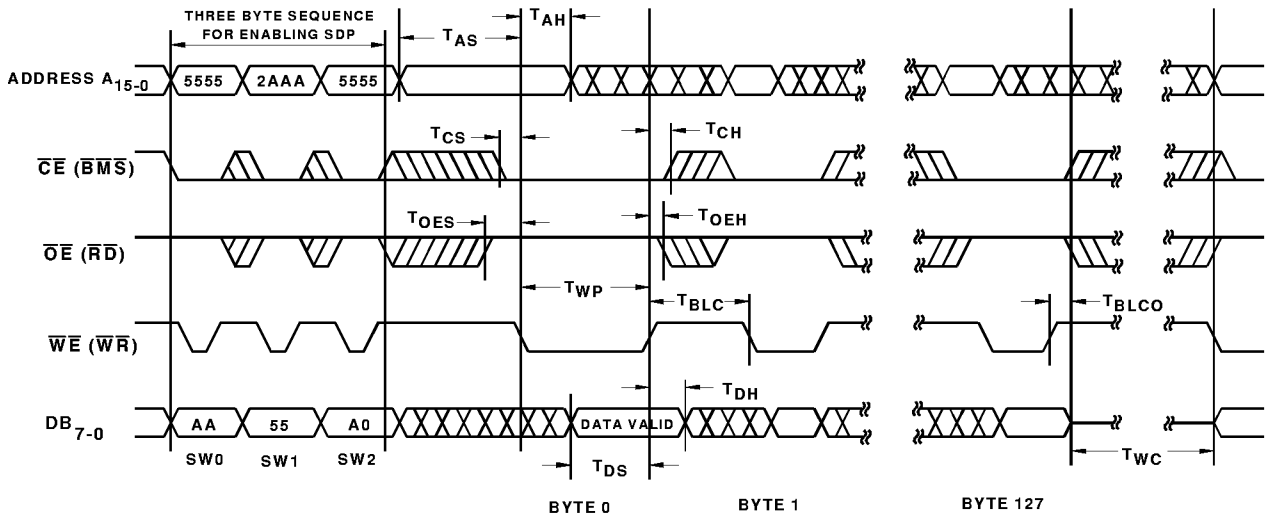


Figure 22.  $\overline{WR}$  Controlled Page Mode Write Cycle Timing

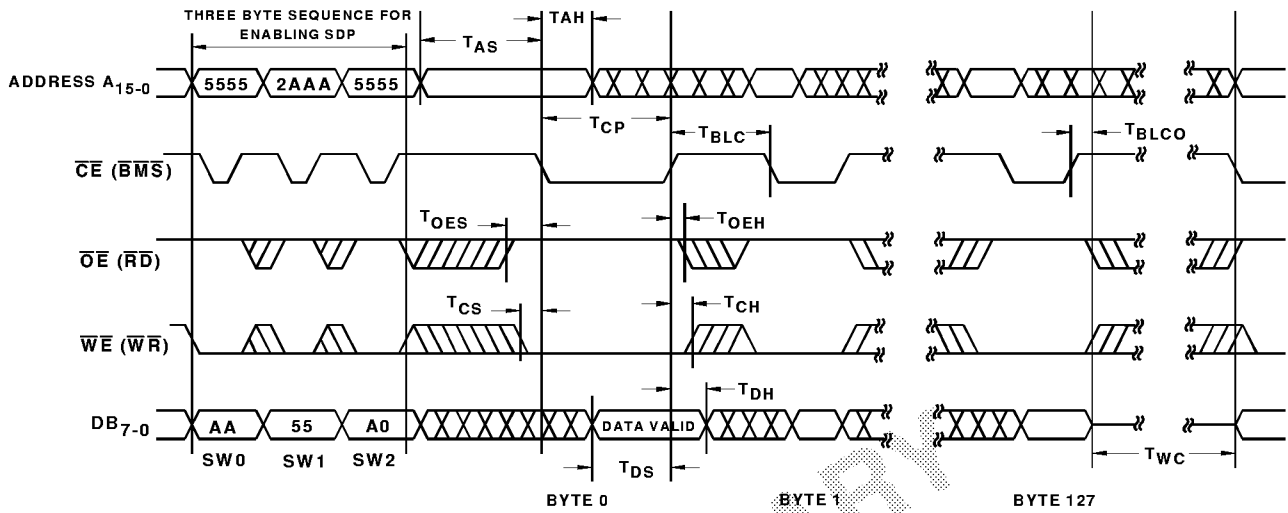


Figure 23.  $\overline{BMS}$  Controlled Page Mode Write Cycle Timing

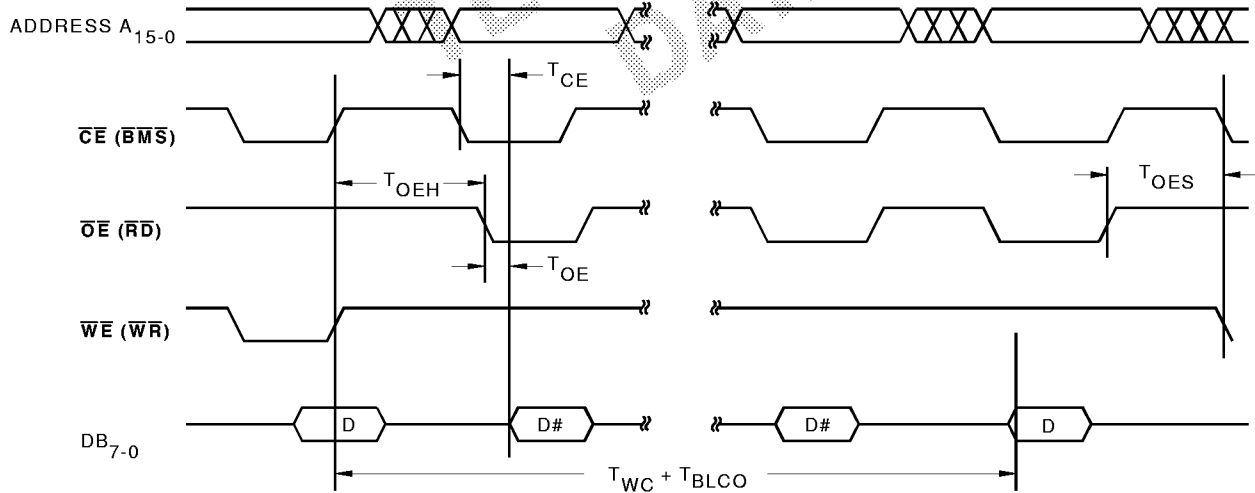


Figure 24. Data/Poling Timing

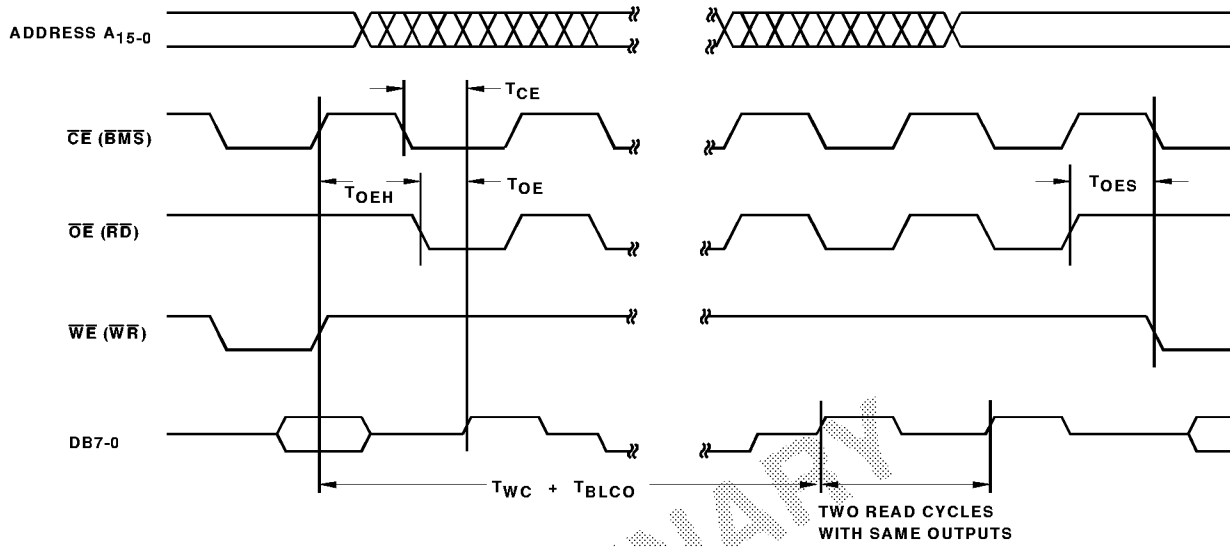


Figure 25. Toggle Bit Timing

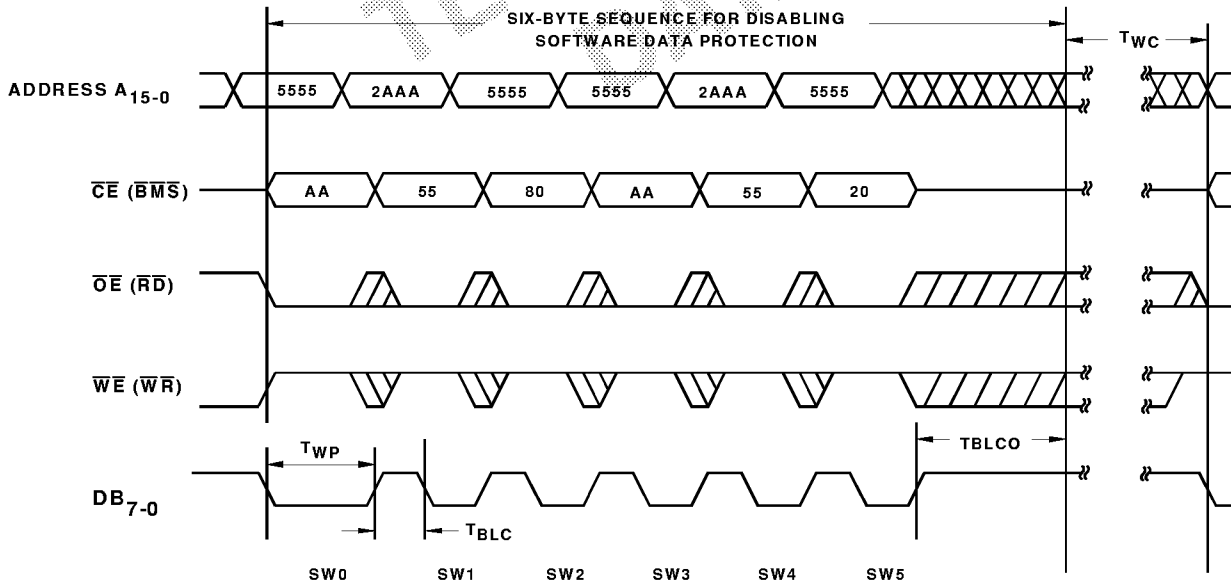


Figure 26. Software Data Protection Disable Timing

# AD73560

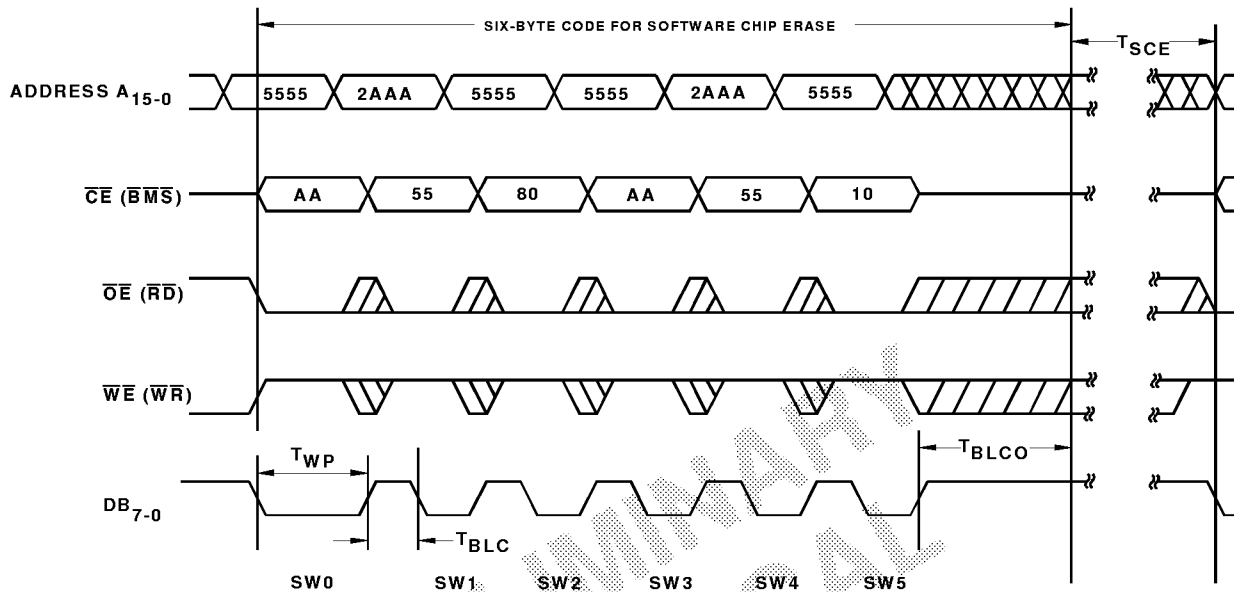


Figure 27. Software Flash-Memory Erase Timing

## ANALOG FRONT END (AFE) INTERFACING

The AFE section of the AD73560 features 6 input channels each with 16-bit linear resolution. Connectivity to the AFE section from the DSP is uncommitted thus allowing the user the flexibility of connecting in the mode or configuration of their choice. This section will detail several configurations - with no extra AFE channels configured and with an extra AFE section configured (using an external AD73360 AFE).

## DSP SPORT TO AFE INTERFACING

The SCLK, SDO, SDOFS, SDI and SDIFS must be connected to the SCLK, DR, RFS, DT and TFS pins of the DSP respectively. The SE pin may be controlled from a parallel output pin or flag pin such as FL0-2 or, where SPORT power-down is not required, it can be permanently strapped high using a suitable pull-up resistor. The ARESET pin may be connected to the system hardware reset structure or it may also be controlled using a dedicated control line. In the event of tying it to the global system reset, it is necessary to operate the device in mixed mode, which allows a software reset, otherwise there is no convenient way of resetting the device.

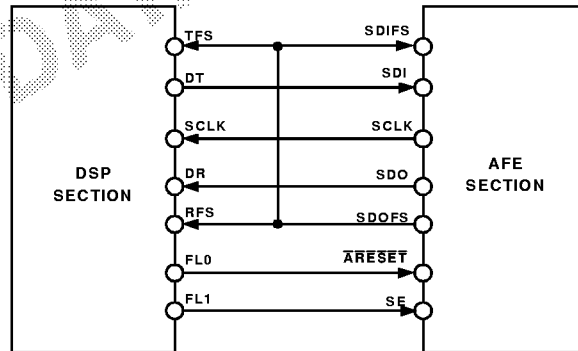


Figure 24. AD73560 AFE to DSP Connection

## CASCADE OPERATION

Where it is required to configure extra analog input channels to the existing six channels on the AD73560 it is possible to cascade up to 42 more channels (using external AD73360 AFE's) by using the scheme described in Figure 26. It is necessary however to ensure that the timing of the SE and RESET signals is synchronized at each device in the cascade. A simple D type flip-flop is sufficient to sync each signal to the master clock MCLK as shown in 25.

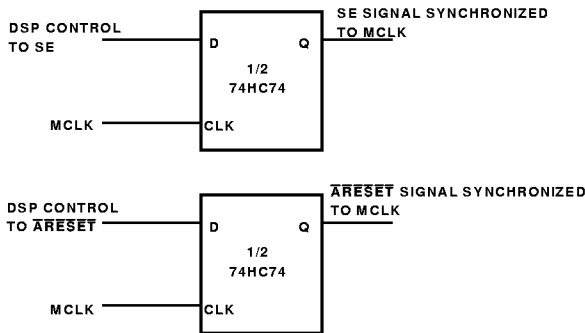


Figure 25 SE and RESET Sync Circuit for Cascaded Operation

There may be some restrictions in cascade operation due to the number of devices configured in the cascade and the serial clock rate chosen. The formula below gives an indication of whether the combination of sample rate, serial clock and number of devices can be successfully cascaded. This assumes a directly coupled frame sync arrangement as shown in Figure 24 and does not take any interrupt latency into account.

$$\frac{1}{f_s} \geq \frac{6 \times [((\text{DeviceCount} - 1) \times 16) + 17]}{\text{SCLK}}$$

When using the indirectly coupled frame sync configuration in cascaded operation it is necessary to be aware of the restrictions in sending control word data to all devices in the cascade. The user should ensure that there is sufficient time for all the control words to be sent between reading the last ADC sample and the start of the next sample period.

Connection of a cascade of devices to a DSP, as shown in Figure 26, is no more complicated than connecting a single device. Instead of connecting the SDO and SDOFS to the DSP's Rx port, these are now daisy-chained to the SDI and SDIFS of the next device in the cascade. The SDO and SDOFS of the final device in the cascade are connected to the DSP's Rx port to complete the cascade. SE and RESET on all devices are fed from the signals that were synchronized with the MCLK using the circuit of Figure . The SCLK from only one device need be connected to the DSP's SCLK input(s) as all devices will be running at the same SCLK frequency and phase.

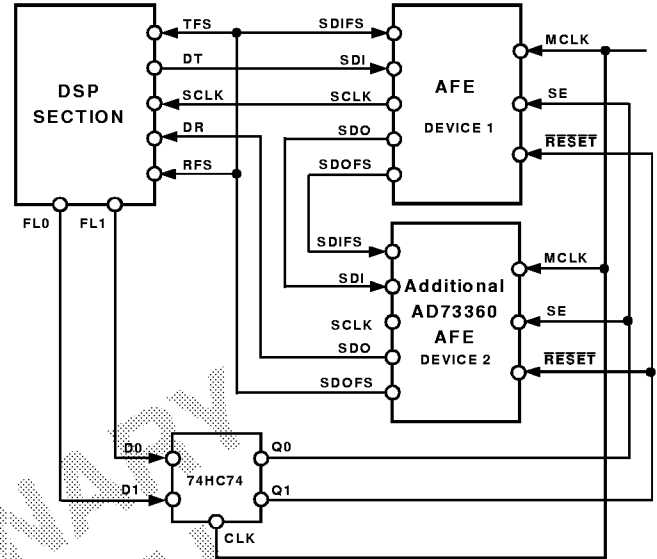


Figure 26. Connection of an AD73360 Cascaded to the AD73560

**Interfacing to the ADE's Analog Inputs**

The AD73560 features six signal conditioning inputs. Each signal conditioning block allows the AD73560 to be used with either a single-ended or differential signal. The applied signal can also be inverted internally by the AD73560 if required. The analog input signal to the AD73560 can be dc-coupled, provided that the dc bias level of the input signal is the same as the internal reference level (REFOUT). Figure 27 shows the recommended differential input circuit for the AD73560. The circuit of Figure 27 implements first-order low-pass filters

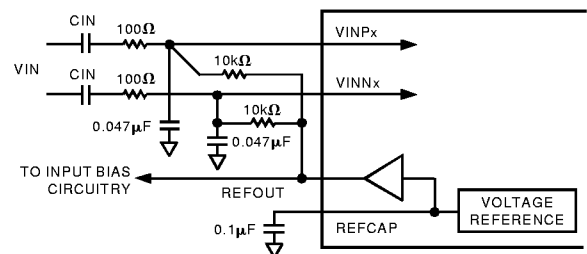


Figure 27. Example Circuit for Differential Input (DC Coupling)

with a 3 dB point at 34 kHz; these are the only filters that must be implemented external to the AD73560 to prevent aliasing of the sampled signal. Since the ADC uses a highly oversampled approach that transfers the bulk of the antialiasing filtering into the digital domain, the off-chip antialiasing filter need only be of a low order. It is recommended that for optimum performance the capacitors used for the antialiasing filter be of high quality dielectric (NPO).

# AD73560

The AD73560's on-chip 38 dB preamplifier can be enabled when there is not enough gain in the input circuit for a particular channel; the preamplifier is configured by bits IXGS0–2 of CRD to CRF. The total gain must be configured to ensure that a full-scale input signal produces a signal level at the input to the sigma-delta modulator of the ADC that does not exceed the maximum input range.

The dc biasing of the analog input signal is accomplished with an on-chip voltage reference. If the input signal is not biased at the internal reference level (via REFOUT), then it must be ac-coupled with external coupling capacitors. CIN should be 0.1  $\mu\text{F}$  or larger. The dc biasing of the input can then be accomplished using resistors to REFOUT as in Figure 28.

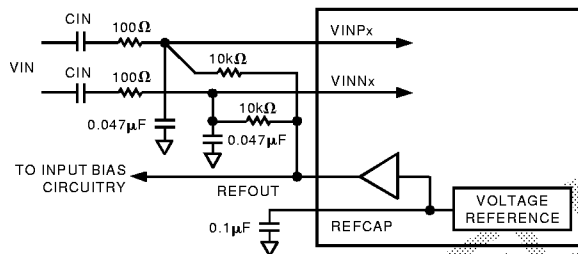


Figure 28. Example Circuit for Differential Input (AC Coupling)

Figures 29 and 30 detail ac- and dc-coupled input circuits for single-ended operation respectively.

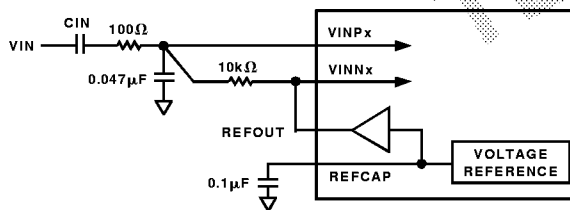


Figure 29. Example Circuit for Single-Ended Input (AC Coupling)

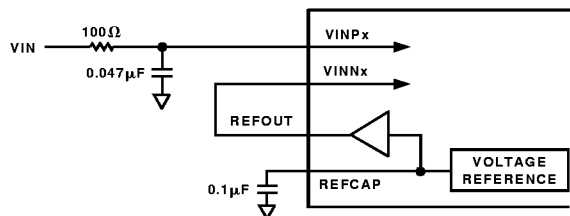


Figure 30. Example Circuit for Differential Input (DC Coupling)

## Digital Interface

As there are a number of variations of sample rate and clock speeds that can be used with the AD73560 in a particular application, it is important to select the best combination to achieve the desired performance. High speed serial clocks will read the data from the AD73560 in a shorter time, giving more time for processing by at the expense of injecting some digital noise into the circuit. Digital noise can also be reduced by connecting resistors

(typ <math>< 50 \Omega</math>) in series with the digital input and output lines. The noise can be minimized by good grounding and layout. Typically the best performance is achieved by selecting the slowest sample rate and SCLK frequency for the required application as this will produce the least amount of digital noise. Figure 31 shows combinations of sample rate and SCLK frequency which will allow data to be read from all six channels in one sample period. These figures correspond to setting DMCLK = MCLK.

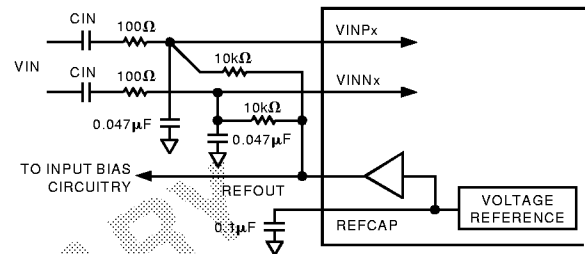


Figure 31. SCLK and Sample Rates

**Outline Dimensions**

Dimensions shown in inches and (mm).

**119 Ball Plastic Ball Grid Array (PBGA)  
B-119**

