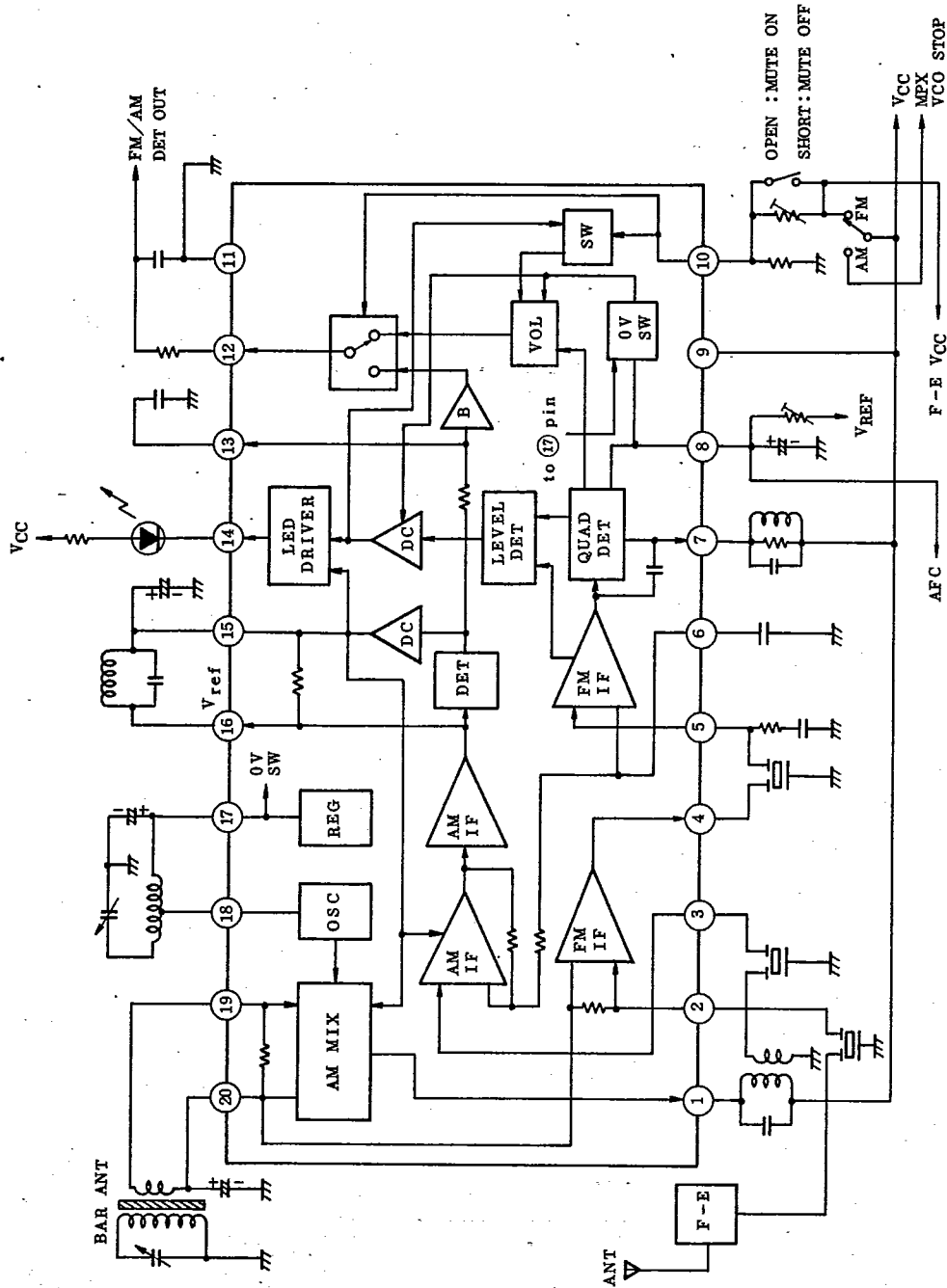




**TA7758P**

T-77-05-07

BLOCK DIAGRAM



9097247 TOSHIBA. ELECTRONIC

02E 17558 D

**TA7758P**

T-77-05-07

## ELECTRICAL CHARACTERISTICS

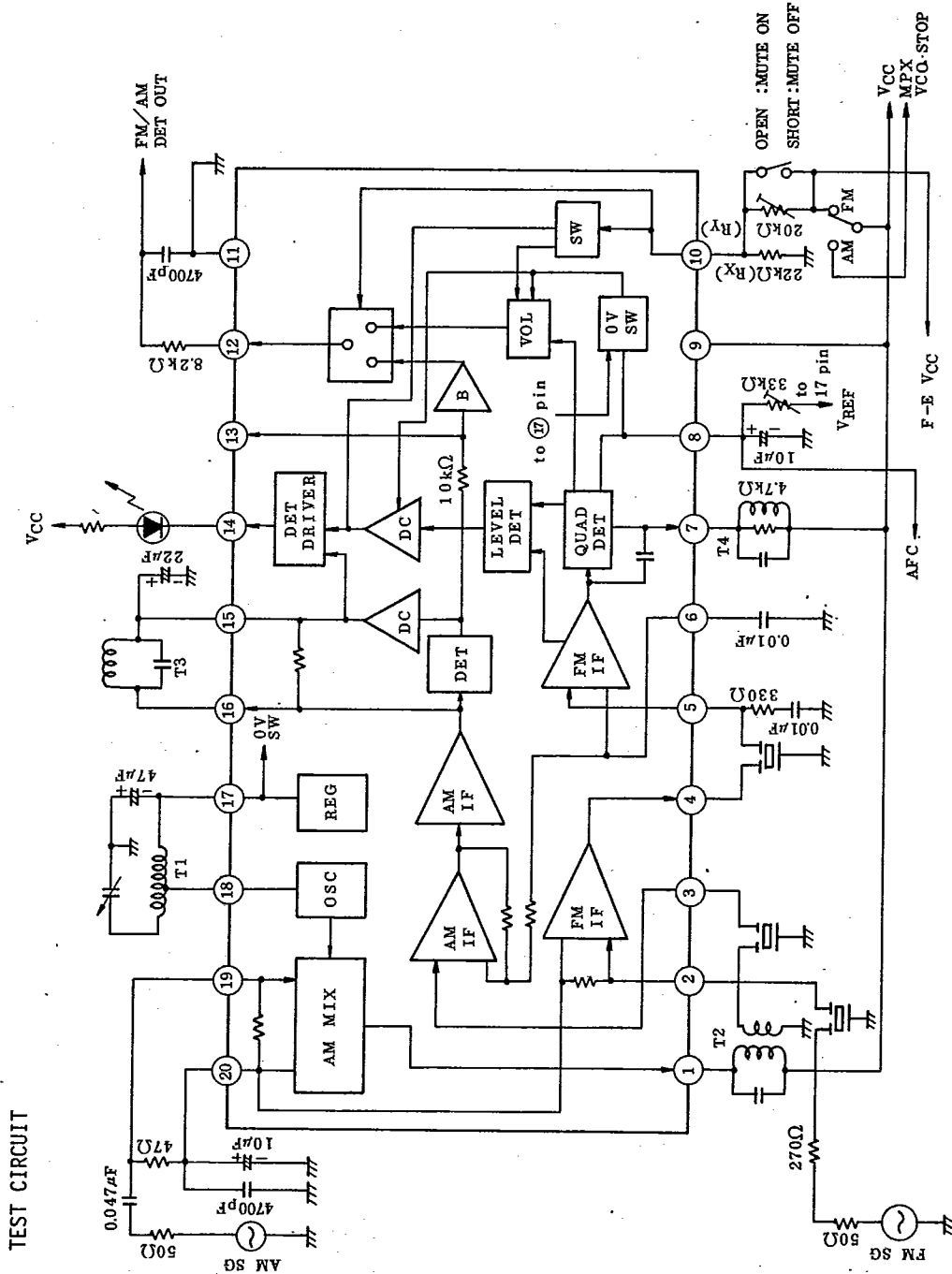
Unless otherwise specified:  $V_{CC}=5V$ ,  $T_a=25^\circ C$ FM :  $f=10.7MHz$ ,  $f_m=1kHz$ ,  $\Delta f=\pm 22.5kHz$  dev.AM :  $f=1MHz$ ,  $f_m=1kHz$ , Mod=30%

CHARACTERISTIC		SYMBOL	TEST CIR-CUIT	TEST CONDITION	MIN.	TYP.	MAX.	UNIT	
Supply Current		$I_{CC}(FM)$		$V_{IN}=0$	-	10	16	mA	
		$I_{CC}(AM)$		$V_{IN}=0$	-	6.5	10.4		
FM	Input Limiting Voltage	$V_{IN}(lim)$		-3dB Limiting	-	35	40	dB $\mu$	
	Recovered Output Voltage	VOD		$V_{IN}=80dB\mu$	83	110	138	mVrms	
	Signal to Noise Ratio	S/N		$V_{IN}=80dB\mu$	-	70	-	dB	
	Total Harmonic Distortion	THD		$V_{IN}=80dB\mu$	-	0.1	-	%	
	AM Rejection Ratio	AMR		$V_{IN}=80dB\mu$	-	40	-	dB	
	Muting	Attenuation	ATT		$K=0.6$	50	80	-	dB
		Band Width	BWMUTE		$K=0.6, -3dB, R=33k\Omega$	-	175	-	kHz
	Lamp ON Sensitivity	$V_L$		$I_L=1mA$	-	38	44	dB $\mu$	
	Meter Drive Voltage	$V_M$		$V_{IN}=80dB\mu$	1.6	1.7	1.9	V	
	AM	Gain	Gv		$V_{IN}=26dB\mu$	37	60	85	mVrms
Recovered Output Voltage		VOD		$V_{IN}=60dB\mu$	61	83	110	mVrms	
Signal to Noise Ratio		S/N		$V_{IN}=60dB\mu$	-	51	-	dB	
Total Harmonic Distortion		THD		$V_{IN}=60dB\mu$	-	0.4	-	%	
Lamp ON Sensitivity		$V_L$		$I_L=1mA$	-	25	31	dB $\mu$	
Meter Drive Voltage		$V_M$		$V_{IN}=60dB\mu$	1.3	1.4	1.5	V	
Local OSC Stop Voltage		$V_{STOP}$			-	-	2.0	V	
Output Resistor	FM	$R_o(FM)$			-	2.0	-	k $\Omega$	
	AM	$R_o(AM)$			-	2.0	-		

AUDIO LINEAR IC

**TA7758P**

T-77-05-07



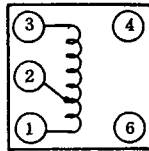
TEST CIRCUIT

**TA7758P**

T-77-05-07

## COIL DATA

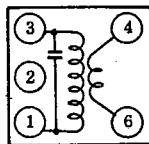
T1 AM OSC



f (kHz)	L( $\mu$ H)	Q <sub>o</sub>	TURN		WIRE (mm $\phi$ )
	1-3		1-3	1-2	
796	288	115	13	73	0.08 UEW

SUMIDA ELECTRIC Co., Ltd : 4147-1356-038 or SIMILAR

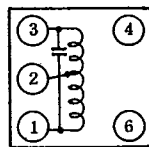
T2 AM MIX



f (kHz)	C <sub>o</sub> (pF)	Q <sub>o</sub>	TURN		WIRE (mm $\phi$ )
	1-3		1-3	1-3	
455	180	120	180	15	0.06 UEW

SUMIDA ELECTRIC Co., Ltd : 2150-2162-165 or SIMILAR

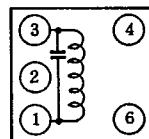
T3 AM DET



f (kHz)	C <sub>o</sub> (pF)	Q <sub>o</sub>	TURN		WIRE (mm $\phi$ )
	1-3		1-3	1-2	
455	180	95	105	73	0.06 UEW

SUMIDA ELECTRIC Co., Ltd : 2150-2173-137 or SIMILAR

T4 FM DET



f (MHz)	C <sub>o</sub> (pF)	Q <sub>o</sub>	TURN	WIRE (mm $\phi$ )
	1-3		1-3	
10.7	47	165	16	0.09 UEW

SUMIDA ELECTRIC Co., Ltd : 2153-4095-122 or SIMILAR