

YAMAHA LSI

YMF740C DS-1L

OVERVIEW

YMF740C (DS-1L) is a high performance audio controller for the PCI Bus. DS-1L consists of two separated functional blocks. One is the PCI Audio block and the other is the Legacy Audio block. PCI Audio block allows Software Driver to handle maximum of 41 concurrent audio streams with the Bus Master DMA engine. The PCI Audio Engine converts the sampling rate of each audio stream and the streams are mixed without utilizing the CPU or causing system latency. By using the Software Driver from YAMAHA, PCI Audio provides 32-voice XG wavetable synthesizer with Reverb and variation. It also supports DirectSound hardware accelerator, Downloadable Sound (DLS) and DirectMusic accelerator.

Legacy Audio block supports FM Synthesizer, Sound Blaster Pro, MPU401 UART mode and Joystick function in order to provide hardware compatibility for numerous PC games on real DOS without any software driver. To achieve legacy DMAC compatibility on the PCI, DS-1L supports PC/PCI protocols.

DS-1L supports the connection to AC'97 which provides high quality DAC, ADC and analog mixing.

FEATURES

- PCI 2.1 Compliant
- PC'97/PC'98 specification Compliant
- PCI Bus Power Management rev. 1.0 Compliant (Support D0, D2 and D3 state)
- PCI Bus Master for PCI Audio
 - True Full Duplex Playback and Capture with different Sampling Rate
 - Maximum 32-voice XG capital Wavetable Synthesizer including GM compatibility
 - DirectSound Hardware Acceleration
 - DirectMusic Hardware Acceleration
 - Downloadable Sound (DLS) level-1
- Supports PC/PCI DMA for legacy DMAC (8237) emulation
- Legacy Audio compatibility
 - FM Synthesizer
 - Hardware Sound Blaster Pro compatibility
 - MPU401 UART mode MIDI interface
 - Joystick
- Supports AC'97 Interface (AC-Link)
- Hardware Volume Control
- Single Crystal operation (24.576MHz)
- 5V Power supply for I/O. 3.3V Power supply for Internal core logic
- 144-pin LQFP (YMF740C-V)



GENERAL MIDI logo is a trademark of Association of Musical Electronics Industry (AMEI), and indicates GM system level 1 Compliant.



XG logo is a trademark of YAMAHA Corporation.

YAMAHA CORPORATION

| |
|---------------------------|
| YMF740C CATALOG |
| CATALOG No.:LSI-4MF740C20 |
| January 14, 1999 |

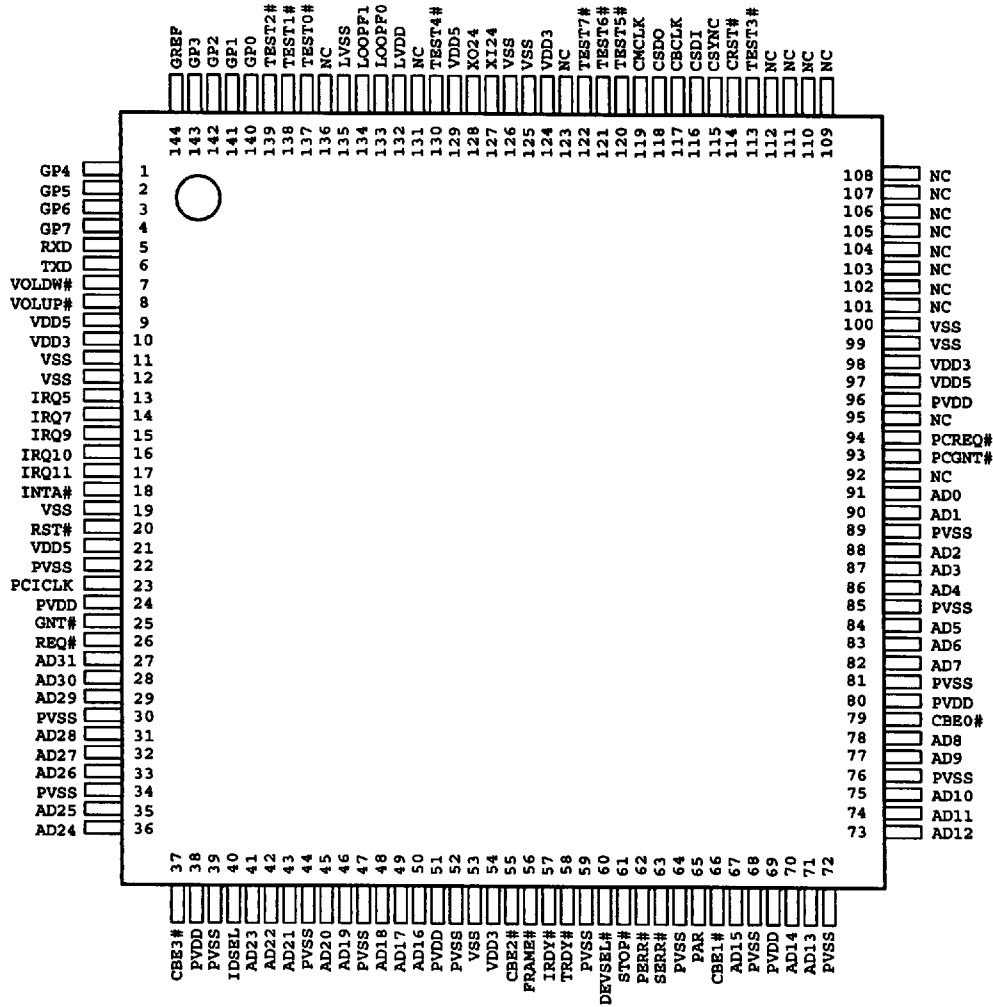


YMF740C

YAMAHA

■ PIN CONFIGURATION

YMF740C-V



144 Pin LQFP Top View

■ PIN DESCRIPTION

1. PCI Bus Interface (52-pin)

| name | I/O | Type | Size | function |
|------------|-----|------|------|-------------------------------------|
| PCICLK | I | P | | PCI Clock |
| RST# | I | P | | Reset |
| AD[31:0] | IO | Ptr | | Address / Data |
| C/BE[3:0]# | IO | Ptr | | Command / Byte Enable |
| PAR | IO | Ptr | | Parity |
| FRAME# | IO | Pstr | | Frame |
| IRDY# | IO | Pstr | | Initiator Ready |
| TRDY# | IO | Pstr | | Target Ready |
| STOP# | IO | Pstr | | Stop |
| IDSEL | I | P | | ID Select |
| DEVSEL# | IO | Pstr | | Device Select |
| REQA# | O | P | | PCI Request |
| GNTA# | I | P | | PCI Grant |
| PCREQ# | O | Ptr | | PC/PCI Request |
| PCGNT# | I | Ptr | | PC/PCI Grant |
| PERR# | IO | Pstr | | Parity Error |
| SERR# | O | Pod | | System Error |
| INTA# | O | Pod | | Interrupt signal output for PCI bus |

2. Legacy Device Interface (16-pin)

| name | I/O | type | size | function |
|---------|-----|------|------|--|
| IRQ5 | O | Ttr | 12mA | Interrupt5 of Legacy Audio It is directly connected to the interrupt signal of System I/O chip. |
| IRQ7 | O | Ttr | 12mA | Interrupt7 of Legacy Audio |
| IRQ9 | O | Ttr | 12mA | Interrupt9 of Legacy Audio |
| IRQ10 | O | Ttr | 12mA | Interrupt10 of Legacy Audio |
| IRQ11 | O | Ttr | 12mA | Interrupt11 of Legacy Audio. |
| GP[3:0] | I | A | - | Game Port |
| GP[7:4] | I | Tup | - | Game Port |
| REF | I | A | - | Reference for Game Port |
| RXD | I | Tup | - | MIDI Data Receive |
| TXD | O | T | 3mA | MIDI Data Transfer |

3. AC'97 Interface (6-pin)

| name | I/O | Type | Size | function |
|-------|-----|------|------|---|
| CRST# | O | T | 6mA | Reset signal for AC'97 |
| CMCLK | O | C | - | Master Clock of AC link (24.576MHz) and |
| CBCLK | I | T | - | AC-link: Bit Clock for AC'97 audio data |
| CSDO | O | T | 6mA | AC-link: AC'97 Serial audio output data |
| CSDI | I | T | - | AC-link: AC'97 Serial audio input data |
| CSYNC | O | T | 6mA | AC-link: Synchronized signal |

4. Miscellaneous (14-pin)

| name | I/O | type | size | function |
|----------------|-----|------|------|---------------------------------------|
| VOLUP# | I | Tup | - | Hardware Volume (Up) |
| VOLDW# | I | Tup | - | Hardware Volume (Down) |
| XI24 | I | C | - | 24.576 MHz Crystal |
| XO24 | O | C | 2mA | 24.576 MHz Crystal |
| TEST[7:4,2:0]# | I | Tup | - | Test pins (Do not connect externally) |
| TEST3# | IO | Tup | 3mA | Test pin (Connect to ground) |
| LOOPF[1:0] | - | - | - | Capacitor of PLL |

5. Power Supply (39-pin)

| name | I/O | type | size | function |
|------------|-----|------|------|---|
| PVDD[5:0] | - | - | - | Power supply for PCI Bus Interface (+5.0) |
| PVSS[14:0] | - | - | - | Ground for PCI Bus Interface |
| LVDD | - | - | - | Power supply for PLL Filter (+3.3) |
| LVSS | - | - | - | Ground for PLL Filter |
| VDD3[3:0] | - | - | - | Power supply (+3.3V) |
| VDD5[3:0] | - | - | - | Power supply (+5.0V) |
| VSS[7:0] | - | - | - | Ground |

TYPE

T : TTL

A : Analog

Ptr : Tri-State PCI

Ttr : Tri-State TTL

C : CMOS

Pstr : Sustained Tri-State PCI

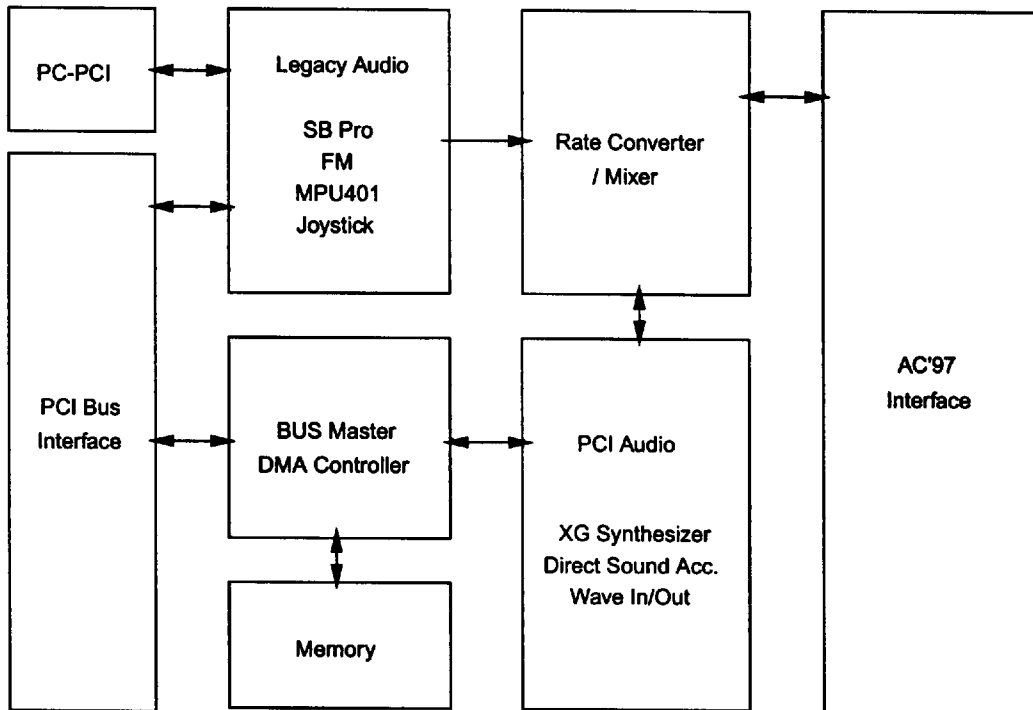
Tup : Pull up (Max. 300kohm) TTL

P : PCI

Pod : Open Drain PCI

Note) All pins except the above pins are NC (No Connection) pins. Do not connect externally.

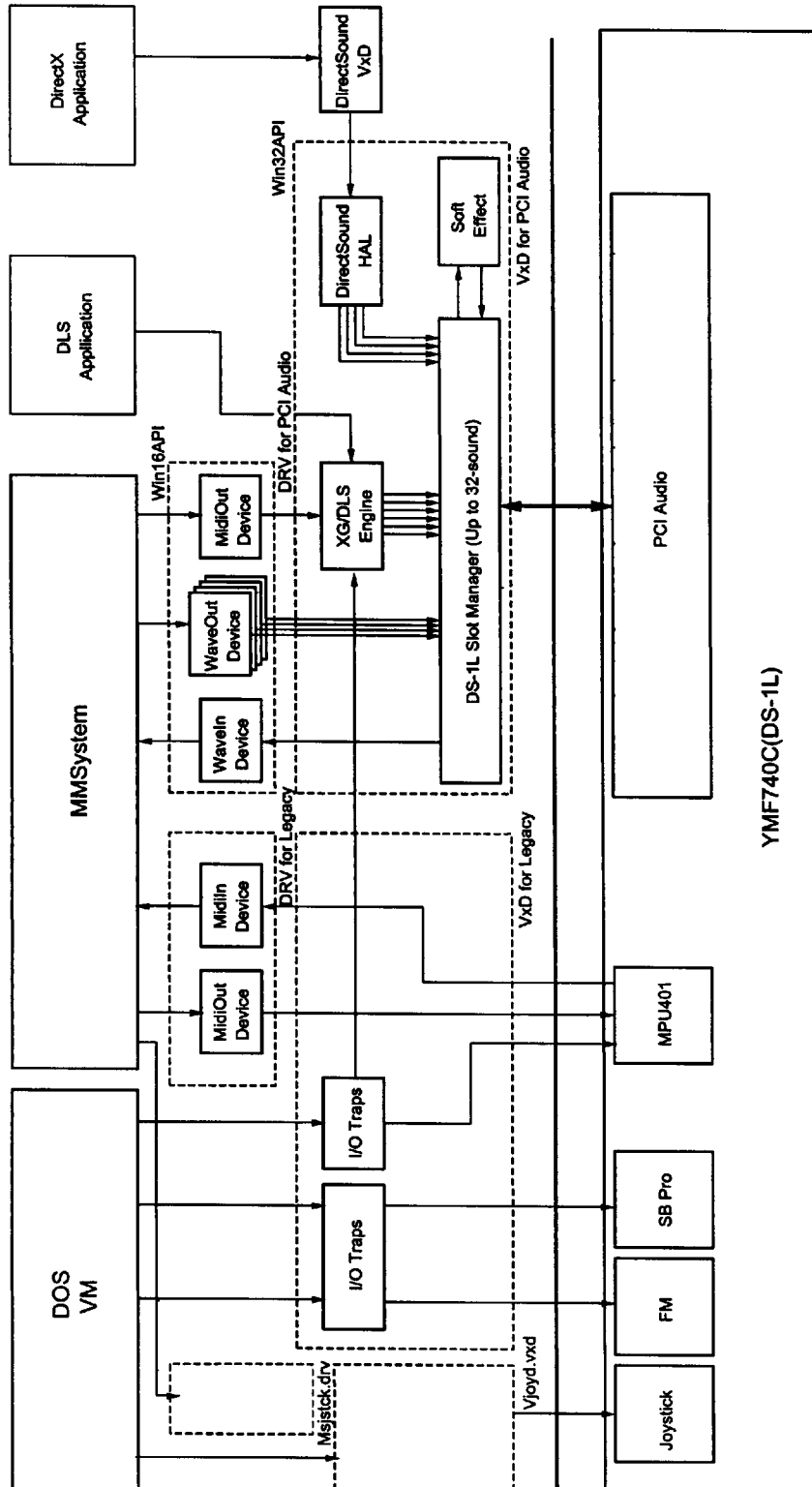
■ BLOCK DIAGRAM



YMF740C

YAMAHA

SYSTEM DIAGRAM



■ FUNCTION OVERVIEW

1. PCI INTERFACE

DS-1L supports the PCI bus interface and complies to PCI revision 2.1.

1-1. PCI Bus Command

DS-1L supports the following PCI Bus commands.

1-1-1. Target Device Mode

| C/BE[3:0]# | Command |
|------------|---|
| 0 0 0 0 | Interrupt Acknowledge (not support) |
| 0 0 0 1 | Special Cycle (not support) |
| 0 0 1 0 | I/O Read |
| 0 0 1 1 | I/O Write |
| 0 1 0 0 | reserved |
| 0 1 0 1 | reserved |
| 0 1 1 0 | Memory Read |
| 0 1 1 1 | Memory Write |
| 1 0 0 0 | reserved |
| 1 0 0 1 | reserved |
| 1 0 1 0 | Configuration Read |
| 1 0 1 1 | Configuration Write |
| 1 1 0 0 | Memory Read Multiple (not support) |
| 1 1 0 1 | Dual Address Cycle (not support) |
| 1 1 1 0 | Memory Read Line (not support) |
| 1 1 1 1 | Memory Write and Invalidate (not support) |

DS-1L does not assert DEVSEL# when accessed with commands that are indicated as (not supported) or reserved.

1-1-2. Master Device Mode

| C/BE[3:0]# | Command |
|------------|--------------|
| 0 1 1 0 | Memory Read |
| 0 1 1 1 | Memory Write |

When DS-1L becomes a Master Device, it generates only memory write and read cycle commands.

1-2. PCI Configuration Register

In addition to the Configuration Register defined by PCI Revision 2.1, DS-1L provides proprietary PCI Configuration Registers in order to control legacy audio function, such as FM Synthesizer, Sound Blaster Pro, MPU401 and Joystick. These additional registers are configured by BIOS or the configuration software from YAMAHA Corporation.

The following shows the overview of the PCI Configuration Register.

| Offset | b[31..24] | b[23..16] | b[15..8] | b[7..0] |
|--------|-------------------------------|----------------|-----------------------------------|----------------|
| 00-03h | Device ID | | Vendor ID | |
| 04-07h | Status | | Command | |
| 08-0Bh | Base Class Code | Sub Class Code | Programming IF | Revision ID |
| 0C-0Fh | Reserved | Header Type | Latency Timer | Reserved |
| 10-13h | PCI Audio Memory Base Address | | | |
| 14-2Bh | Reserved | | | |
| 2C-2Fh | Subsystem ID | | Subsystem Vendor ID | |
| 30-33h | Reserved | | | |
| 34-37h | Reserved | | | Cap Pointer |
| 38-3Bh | Reserved | | | |
| 3C-3Fh | Maximum Latency | Minimum Grant | Interrupt Pin | Interrupt Line |
| 40-43h | Extended Legacy Audio Control | | Legacy Audio Control | |
| 44-47h | Subsystem ID Write | | Subsystem Vendor ID Write | |
| 48-4Bh | DS-1L Power Control | | DS-1L Control | |
| 4C-4Fh | Reserved | | Reserved | |
| 50-53h | Power Management Capabilities | | Next Item Pointer | Capability ID |
| 54-57h | Reserved | | Power Management Control / Status | |
| 58-5Bh | Reserved | | ACPI Mode | |
| 5C-FFh | Reserved | | | |

Reserved registers are hardwired to "0". All data written to these registers are discarded. The values read from these registers are all zero.

DS-1L can be accessed by using any bus width, 8-bit, 16-bit or 32-bit.

YMF740C



00 - 01h: Vendor ID

Read Only
Default: 1073h
Access Bus Width: 8, 16, 32-bit

| | | | | | | | | | | | | | | | |
|-----------|-----|-----|-----|-----|-----|----|----|----|----|----|----|----|----|----|----|
| b15 | b14 | b13 | b12 | b11 | b10 | b9 | b8 | b7 | b6 | b5 | b4 | b3 | b2 | b1 | b0 |
| Vendor ID | | | | | | | | | | | | | | | |

b[15:0]Vendor ID

This register contains the YAMAHA Vendor ID registered in Revision 2.1. This register is hardwired to 1073h.

02 - 03h: Device ID

Read Only
Default: 000Ch
Access Bus Width: 8, 16, 32-bit

| | | | | | | | | | | | | | | | |
|-----------|-----|-----|-----|-----|-----|----|----|----|----|----|----|----|----|----|----|
| b15 | b14 | b13 | b12 | b11 | b10 | b9 | b8 | b7 | b6 | b5 | b4 | b3 | b2 | b1 | b0 |
| Device ID | | | | | | | | | | | | | | | |

b[15:0]Device ID

This register contains the Device ID of DS-1L. This register is hardwired to 000Ch.

04 - 05h: Command

Read / Write
Default: 0000h
Access Bus Width: 8, 16, 32-bit

| | | | | | | | | | | | | | | | |
|-----|-----|-----|-----|-----|-----|----|-----|----|-----|----|----|----|-----|----|----|
| b15 | b14 | b13 | b12 | b11 | b10 | b9 | b8 | b7 | b6 | b5 | b4 | b3 | b2 | b1 | b0 |
| | | | | | | | SER | | PER | | | | BME | MS | |

b1MS: Memory Space

This bit enables DS-1L to response to Memory Space Access.
"0": DS-1L ignores Memory Space Access. (default)
"1": DS-1L responds to Memory Space Access.

b2BME: Bus Master Enable

This bit enables DS-1L to act as a master device on the PCI bus.
"0": Do not set DS-1L to be the master device. (default)
"1": Set DS-1L to be the master device.

b6PER: Parity Error Response

This bit enables DS-1L responses to Parity Error.
"0": DS-1L ignores all parity errors.
"1": DS-1L performs error operation when DS-1L detects a parity error.

b8.....SER: SERR# Enable

This bit enables DS-1L to drive SERR#.

“0”: Do not drive SERR#. (default)

“1”: Drives SERR# when DS-1L detects an Address Parity Error on normal target cycle or a Data Parity Error on special cycle.

06 - 07h: Status

Read / Write Clear

Default: 0210h

Access Bus Width: 8, 16, 32-bit

| b15 | b14 | b13 | b12 | b11 | b10 | b9 | b8 | b7 | b6 | b5 | b4 | b3 | b2 | b1 | b0 |
|-----|-----|-----|-----|-----|------|----|-----|----|----|----|-----|----|----|----|----|
| DPE | SSE | RMA | RTA | STA | DEVT | | DPD | | | | CAP | | | | |

b4.....CAP: Capability (Read Only)

This bit indicates that DS-1L supports the capability register. This bit is read only. When 58-59h : ACPI Mode register, ACPI bit is “0”, the bit is “1”. When ACPI bit is “1”, the bit is “0”.

b8.....DPD: Data Parity Error Detected

This bit indicates that DS-1L detects a Data Parity Error during a PCI master cycle.

b[10:9]DEVT: DEVSEL Timing

This bit indicates that the decoding speed of DS-1L is Medium.

b11.....STA: Signaled Target Abort

This bit indicates that DS-1L terminates a transaction with Target Abort during a target cycle.

b12.....RTA: Received Target Abort

This bit indicates that a transaction is terminated with Target Abort while DS-1L is in the master memory cycle.

b13.....RMA: Received Master Abort

This bit indicates that a transaction is terminated with Master Abort while DS-1L is in the master memory cycle.

b14.....SSE: Signaled System Error

This bit indicates that DS-1L asserts SERR#.

b15.....DPE: Detected Parity Error

This bit indicates that DS-1L detects Address Parity Error or Data Parity Error during a transaction:

08h: Revision ID

Read Only

Default: 03h

Access Bus Width: 8, 16, 32-bit

| | | | | | | | |
|-------------|----|----|----|----|----|----|----|
| b7 | b6 | b5 | b4 | b3 | b2 | b1 | b0 |
| Revision ID | | | | | | | |

b[7:0]Revision ID

This register contains the revision number of DS-1L. This register is hardwired to **03h**.

09h: Programming Interface

Read Only

Default: 00h

Access Bus Width: 8, 16, 32-bit

| | | | | | | | |
|-----------------------|----|----|----|----|----|----|----|
| b7 | b6 | b5 | b4 | b3 | b2 | b1 | b0 |
| Programming Interface | | | | | | | |

b[7:0]Programming Interface

This register indicates the programming interface of DS-1L. This register is hardwired to **00h**.

0Ah: Sub-class Code

Read Only

Default: 01h

Access Bus Width: 8, 16, 32-bit

| | | | | | | | |
|----------------|----|----|----|----|----|----|----|
| b7 | b6 | b5 | b4 | b3 | b2 | b1 | b0 |
| Sub-class Code | | | | | | | |

b[7:0]Sub-class Code

This register indicates the sub-class of DS-1L. This register is hardwired to **01h**. DS-1L belongs to the **Audio** Sub-class.

0Bh: Base Class Code

Read Only

Default: 04h

Access Bus Width: 8, 16, 32-bit

| | | | | | | | |
|-----------------|----|----|----|----|----|----|----|
| b7 | b6 | b5 | b4 | b3 | b2 | b1 | b0 |
| Base Class Code | | | | | | | |

b[7:0]Base Class Code

This register indicates the base class of DS-1L. This register is hardwired to **04h**. DS-1L belongs to the **Multimedia** Base Class.

0Dh: Latency Timer

Read / Write

Default: 00h

Access Bus Width: 8, 16, 32-bit

| | | | | | | | |
|---------------|----|----|----|----|----|----|----|
| b7 | b6 | b5 | b4 | b3 | b2 | b1 | b0 |
| Latency Timer | | | | | | | |

b[7:0]Latency Timer

When DS-1L becomes a Bus Master device, this register indicates the initial value of the Master Latency Timer.

0Eh: Header Type

Read Only

Default: 00h

Access Bus Width: 8, 16, 32-bit

| | | | | | | | |
|-------------|----|----|----|----|----|----|----|
| b7 | b6 | b5 | b4 | b3 | b2 | b1 | b0 |
| Header Type | | | | | | | |

b[7:0]Header Type

This register indicates the device type of DS-1L. This is hardwired to 00h.

10 - 13h: PCI Audio Memory Base Address

Read / Write

Default: 00000000h

Access Bus Width: 8, 16, 32-bit

| | | | | | | | | | | | | | | | |
|--------------|-----|-----|-----|-----|-----|-----|-----|-----|-----|-----|-----|-----|-----|-----|-----|
| b15 | b14 | b13 | b12 | b11 | b10 | b9 | b8 | b7 | b6 | b5 | b4 | b3 | b2 | b1 | b0 |
| MBA | | | | | | | | | | | | | | | |
| b31 | b30 | b29 | b28 | b27 | b26 | b25 | b24 | b23 | b22 | b21 | b20 | b19 | b18 | b17 | b16 |
| MBA (higher) | | | | | | | | | | | | | | | |

b[31:15]MBA: Memory Base Address

This register indicates the physical Memory Base address of the PCI Audio registers in DS-1L. The base address can be located anywhere in the 32-bit address space. Data in the DS-1L register is not prefetchable.

DS-1L needs 32768-bytes of memory address space.

2C-2Dh: Subsystem Vendor ID

Read Only
Default: 1073h
Access Bus Width: 8, 16, 32-bit

| | | | | | | | | | | | | | | | |
|---------------------|-----|-----|-----|-----|-----|----|----|----|----|----|----|----|----|----|----|
| b15 | b14 | b13 | b12 | b11 | b10 | b9 | b8 | b7 | b6 | b5 | b4 | b3 | b2 | b1 | b0 |
| Subsystem Vendor ID | | | | | | | | | | | | | | | |

b[15:0]Subsystem Vendor ID

This register contains the Subsystem Vendor ID. In general, this ID is used to distinguish adapters or systems made by different IHVs using the same chip by the same vendor. This register is read only. To write the IHV's Vendor ID, use 44-45h (Subsystem Vendor ID Write Register).

The default value is the YAMAHA's Vendor ID, **1073h**. IHVs must change this ID to their Vendor ID in the BIOS POST routine.

2E-2Fh: Subsystem ID

Read Only
Default: 000Ch
Access Bus Width: 8, 16, 32-bit

| | | | | | | | | | | | | | | | |
|--------------|-----|-----|-----|-----|-----|----|----|----|----|----|----|----|----|----|----|
| b15 | b14 | b13 | b12 | b11 | b10 | b9 | b8 | b7 | b6 | b5 | b4 | b3 | b2 | b1 | b0 |
| Subsystem ID | | | | | | | | | | | | | | | |

b[15:0]Subsystem ID

This register contains the Subsystem ID. In general, this ID is used to distinguish adapters or systems made by different IHVs using the same chip by the same vendor. This register is read only. To write the IHV's Device ID, use 46-47h (Subsystem ID Write Register).

The default value is the YAMAHA's Device ID, **000Ch**. IHVs must change this ID to their ID in the BIOS POST routine.

34h: Capability Register Pointer

Read Only
Default: 50h
Access Bus Width: 8, 16, 32-bit

| | | | | | | | |
|-----------------------------|----|----|----|----|----|----|----|
| b7 | b6 | b5 | b4 | b3 | b2 | b1 | b0 |
| Capability Register Pointer | | | | | | | |

b[7:0]Capability Register Pointer

This register indicates the offset address of the Capabilities register in the PCI Configuration register when 58-59h: ACPI Mode register, ACPI bit is "0". DS-1L provides PCI Bus Power Management registers as the capabilities. The Power Management registers are mapped to 50h - 57h in the PCI Configuration register, and this register indicates "50h".

When ACPI bit is "1", this register indicates "00h".

3Ch: Interrupt Line

Read / Write

Default: 00h

Access Bus Width: 8, 16, 32-bit

| | | | | | | | |
|----------------|----|----|----|----|----|----|----|
| b7 | b6 | b5 | b4 | b3 | b2 | b1 | b0 |
| Interrupt Line | | | | | | | |

b[7:0]Interrupt Line

This register indicates the interrupt channel that INTA# is assigned to.

3Dh: Interrupt Pin

Read Only

Default: 01h

Access Bus Width: 8, 16, 32-bit

| | | | | | | | |
|---------------|----|----|----|----|----|----|----|
| b7 | b6 | b5 | b4 | b3 | b2 | b1 | b0 |
| Interrupt Pin | | | | | | | |

b[7:0]Interrupt Pin

DS-1L supports INTA# only. This register is hardwired to 01h.

3Eh: Minimum Grant

Read Only

Default: 05h

Access Bus Width: 8, 16, 32-bit

| | | | | | | | |
|---------------|----|----|----|----|----|----|----|
| b7 | b6 | b5 | b4 | b3 | b2 | b1 | b0 |
| Minimum Grant | | | | | | | |

b[7:0]Minimum Grant

This register indicates the length of the burst period required by DS-1L.

This register is hardwired to 05h.

3Fh: Maximum Latency

Read Only

Default: 19h

Access Bus Width: 8, 16, 32-bit

| | | | | | | | |
|-----------------|----|----|----|----|----|----|----|
| b7 | b6 | b5 | b4 | b3 | b2 | b1 | b0 |
| Maximum Latency | | | | | | | |

b[7:0]Maximum Latency

This register indicates how often DS-1L generates the Bus Master Request.

This register is hardwired to 19h.

40 - 41h: Legacy Audio Control

Read / Write

Default: 907Fh

Access Bus Width: 8, 16, 32-bit

| b15 | b14 | b13 | b12 | b11 | b10 | b9 | b8 | b7 | b6 | b5 | b4 | b3 | b2 | b1 | b0 |
|-----|-----|--------|-----|-----|-------|----|----|------|-----|------|-----|------|------|------|----|
| LAD | "0" | MPUIRQ | | | SBIRQ | | | SDMA | I/O | MIEN | MEN | GPEN | FMEN | SBEN | |

b0.....SBEN: Sound Blaster Enable

This bit enables the mapping of the Sound Blaster Pro block in the I/O space specified by the SBIO bits, when LAD is set to "0". The FM Synthesizer registers can be accessed via SB I/O space, while the SB block is enabled, even if FMEN is set to "0".

"0": Disable the mapping of the SB block to the I/O space

"1": Enable the mapping of the SB block to the I/O space (default)

b1.....FMEN: FM Synthesizer Enable

This bit enables the mapping of the FM Synthesizer block in the I/O space specified by the FMIO bits, when LAD is set to "0". FM Synthesizer registers can be accessed via SB I/O space, while the SB block is enabled, even if FMEN is set to "0".

"0": Disable the mapping of the FM Synthesizer block to the FMIO space

"1": Enable the mapping of the FM Synthesizer block to the FMIO space (default)

After setting FMEN to "1", about 100 msec is necessary before accessing these I/O space.

b2.....GPEN: Gameport Enable

This bit enables the mapping of the Joystick block in the I/O space specified by the JSIO bits, when LAD is set to "0".

"0": Disable the mapping of the Joystick block

"1": Enable the mapping of the Joystick block (default)

b3.....MEN: MPU401 Enable

This bit enables the mapping of the MPU401 block in the I/O space specified by the MPUIO bits, when LAD is set to "0".

"0": Disable the mapping of the MPU401 block

"1": Enable the mapping of the MPU401 block (default)

b4.....MIEN: MPU401 IRQ Enable

This bit enables the interrupt service of MPU401, when LAD is set to "0" and MEN is set to "1". MPU401 generates an interrupt signal when it receives any kind of MIDI data from the RXD pin.

"0": The MPU401 block can not use the interrupt service.

"1": The MPU401 block can use interrupt signals determined by the MPUIRQ bits. (default)

b5.....I/O: I/O Address Aliasing Control

This bit selects the number of bits to decode for the I/O address of each block.

"0": 16-bit address decode

"1": 10-bit address decode (default)

b[7:6]SDMA: Sound Blaster DMA-8 Channel Select

These bits select the DMA channel for the Sound Blaster Pro block.

- "0": DMA ch0
- "1": DMA ch1 (default)
- "2": reserved
- "3": DMA ch3

b[10:8]SBIRQ: Sound Blaster IRQ Channel Select

These bits select the interrupt channel for the Sound Blaster Pro block.

- "0": IRQ5 (default)
- "1": IRQ7
- "2": IRQ9
- "3": IRQ10
- "4": IRQ11
- "5" - "7": reserved.

b[13:11]MPUIRQ: MPU401 IRQ Channel Select

When MIEN is set to "1", these bits select the interrupt channel for the MPU401 block.

- "0": IRQ5
- "1": IRQ7
- "2": IRQ9 (default)
- "3": IRQ10
- "4": IRQ11
- "5" - "7": reserved

Same interrupt channels can be assigned to SBIRQ and MPUIRQ.

b14Reserved Bit

Hardwire to "0".

b15LAD: Legacy Audio Disable

This bit disables the Legacy Audio block.

- "0": Enables the Legacy Audio block
- "1": Disables the Legacy Audio block (default)

When this bit is set to "1", DS-1L does not respond to the I/O Target transaction for legacy I/O address on the PCI bus.

42 - 43h: Extended Legacy Audio Control

Read / Write

Default: 0000h

Access Bus Width: 8, 16, 32-bit

| b15 | b14 | b13 | b12 | b11 | b10 | b9 | b8 | b7 | b6 | b5 | b4 | b3 | b2 | b1 | b0 |
|------|-------|------|-----|-----|-----|------|------|-------|----|------|----|------|----|----|----|
| IMOD | SBVER | SMOD | | | | MAIM | JSIO | MPUIO | | SBIO | | FMIO | | | |

b[1:0]FMIO: FM I/O Address allocation

These bits determine the base I/O address for the of the FM Synthesizer block (FMBase).

FM Synthesizer block uses 4 bytes in the I/O address space.

| | | |
|------|------|-----------|
| "0": | 388h | (default) |
| "1": | 398h | |
| "2": | 3A0h | |
| "3": | 3A8h | |

b[3:2]SBIO: SB I/O Address allocation

These bits determine the base I/O address for the Sound Blaster Pro block (SBBBase). This block uses 16 bytes in the I/O address space.

| | | |
|------|------|-----------|
| "0": | 220h | (default) |
| "1": | 240h | |
| "2": | 260h | |
| "3": | 280h | |

b[5:4]MPUIO: MPU I/O Address allocation

These bits determine the base I/O address for the MPU401 block (MPUBase). This block uses 2 bytes in the I/O address space.

| | | |
|------|------|-----------|
| "0": | 330h | (default) |
| "1": | 300h | |
| "2": | 332h | |
| "3": | 334h | |

b[7:6]JSIO: Joystick I/O Address allocation

These bits determine the base I/O address for the Joystick block (JSBase). This block uses 1 byte in the I/O address space.

| | | |
|------|------|-----------|
| "0": | 201h | (default) |
| "1": | 202h | |
| "2": | 204h | |
| "3": | 205h | |

b8.....MAIM: MPU401 Acknowledge Interrupt Mask

This bit determine whether interrupt is asserted when the acknowledge, which is occurred by changing MPU401 mode form default to UART, is returned.

| | | |
|------|---|-----------|
| "0": | Interrupt is asserted when the acknowledge is returned. | (default) |
| "1": | Interrupt is masked when the acknowledge is returned. | |

b[12:11]SMOD: SB DMA mode

These bits determine the protocol to achieve the DMAC(8237) function on the PCI bus.

- "0": PC/PCI (default)
- "1" - "3": reserved

b[14:13]SBVER: SB Version Select

These bits set the version of the SB Pro DSP. The value set in these bits is returned by sending the E1h DSP command.

- "0": ver 3.01 (default)
- "1": ver 2.01
- "2": ver 1.05
- "3": reserved

b15.....IMOD: Legacy IRQ mode

DS-1L supports 2 types of interrupt protocols: PCI interrupt (INTA#) and Legacy interrupt (IRQs). The interrupt protocol is selected by IMOD as follows. The interrupt channels for IRQs are determined by SBIRQ and MPUIRQ. Only one protocol can be used at once.

- "0": Legacy interrupt (IRQs) (default)
- "1": PCI interrupt (INTA#)

44-45h: Subsystem Vendor ID Write Register

Read / Write
 Default: 1073h
 Access Bus Width: 16-bit

| | | | | | | | | | | | | | | | |
|---------------------------|-----|-----|-----|-----|-----|----|----|----|----|----|----|----|----|----|----|
| b15 | b14 | b13 | b12 | b11 | b10 | b9 | b8 | b7 | b6 | b5 | b4 | b3 | b2 | b1 | b0 |
| Subsystem Vendor ID Write | | | | | | | | | | | | | | | |

b[15:0]Subsystem Vendor ID Write Register

This register sets the Subsystem Vendor ID that is read from 2C-2Dh (Subsystem Vendor ID register). The default value is the YAMAHA Vendor ID, 1073h. IHVs must change this ID to their Vendor ID in the BIOS POST routine.

46-47h: Subsystem ID Write Register

Read / Write
 Default: 000Ch
 Access Bus Width: 16-bit

| | | | | | | | | | | | | | | | |
|--------------------|-----|-----|-----|-----|-----|----|----|----|----|----|----|----|----|----|----|
| b15 | b14 | b13 | b12 | b11 | b10 | b9 | b8 | b7 | b6 | b5 | b4 | b3 | b2 | b1 | b0 |
| Subsystem ID Write | | | | | | | | | | | | | | | |

b[15:0]Subsystem ID Write Register

This register sets the Subsystem ID that is read from 2E-2Fh (Subsystem ID register). The default value is the DS-1L Device ID, 000Ch. IHVs must change this ID to their ID in the BIOS POST routine.

48-49h: DS-1L Control Register

Read / Write

Default: 0001h

Access Bus Width: 8, 16, 32-bit

| | | | | | | | | | | | | | | | |
|-----|-----|-----|-----|-----|-----|----|----|----|----|----|----|----|----|----|------|
| b15 | b14 | b13 | b12 | b11 | b10 | b9 | b8 | b7 | b6 | b5 | b4 | b3 | b2 | b1 | b0 |
| | | | | | | | | | | | | | | | CRST |

b0.....CRST: AC'97 Software Reset Signal Control

This bit controls the CRST# signal.

“0”: Inactive (CRST#=High)

“1”: Active (CRST#=Low) (default)

4A-4Bh: DS-1L Power Control Register

Read / Write

Default: 0000h

Access Bus Width: 8, 16, 32-bit

| | | | | | | | | | | | | | | | |
|-----|-----|-----|-----|-----|-----|-----|-----|----|----|-----|------|------|-------|-------|-----|
| b15 | b14 | b13 | b12 | b11 | b10 | b9 | b8 | b7 | b6 | b5 | b4 | b3 | b2 | b1 | b0 |
| PR7 | PR6 | PR5 | PR4 | PR3 | PR2 | PR1 | PR0 | | | PSN | PSL1 | PSL0 | DPLL1 | DPLL0 | DMC |

b0.....DMC: Disable Master Clock Oscillation

Setting this bit to “1” disables the oscillation of the Master Clock (24.576 MHz).

“0”: Normal (default)

“1”: Disable

b1.....DPLL0: Disable PLL0 Clock Oscillation

Setting this bit to “1” disables the oscillation of PLL for the Legacy Audio function.

“0”: Normal (default)

“1”: Disable

b2.....DPLL1: Disable PLL1 Clock Oscillation

Setting this bit to “1” disables the oscillation of PLL for the PCI Audio function.

“0”: Normal (default)

“1”: Disable

b3.....PSL0: Power Save Legacy Audio Block 0

Setting this bit to “1” stops providing the clock with the Legacy Audio function block 0. This block includes FM Synthesizer and SB Pro engines.

“0”: Normal (default)

“1”: Power Save

b4.....PSL1: Power Save Legacy Audio Block 1

Setting this bit to “1” stops providing the clock with the Legacy Audio function block 1. This block includes MPU401 and Joystick.

“0”: Normal (default)

“1”: Power Save

b5.....PSN: Power Save PCI Audio block

Setting this bit to "1" stops providing the clock with the PCI Audio function block. This block includes PCI Audio, SRC, AC'97 I/F and H/W Vol.

"0": Normal (default)

"1": Power Save

b8.....PR0: AC'97 Power down Control 0

This bit controls the power state of the ADC and Input Mux in AC'97.

"0": Normal (default)

"1": Power down

b9.....PR1: AC'97 Power down Control 1

This bit controls the power state of the DAC in AC'97.

"0": Normal (default)

"1": Power down

b10.....PR2: AC'97 Power down Control 2

This bit controls the power state of the Analog Mixer (Vref still on) in AC'97. This power state retains the Reference Voltage of AC'97.

"0": Normal (default)

"1": Power down

b11.....PR3: AC'97 Power down Control 3

This bit controls the power state of the Analog Mixer (Vref off) in AC'97. This power state removes Reference Voltage of AC'97.

"0": Normal (default)

"1": Power down

b12.....PR4: AC'97 Power down Control 4

This bit controls the power state of the AC-link in AC'97.

"0": Normal (default)

"1": Power down

b13.....PR5: AC'97 Power down Control 5

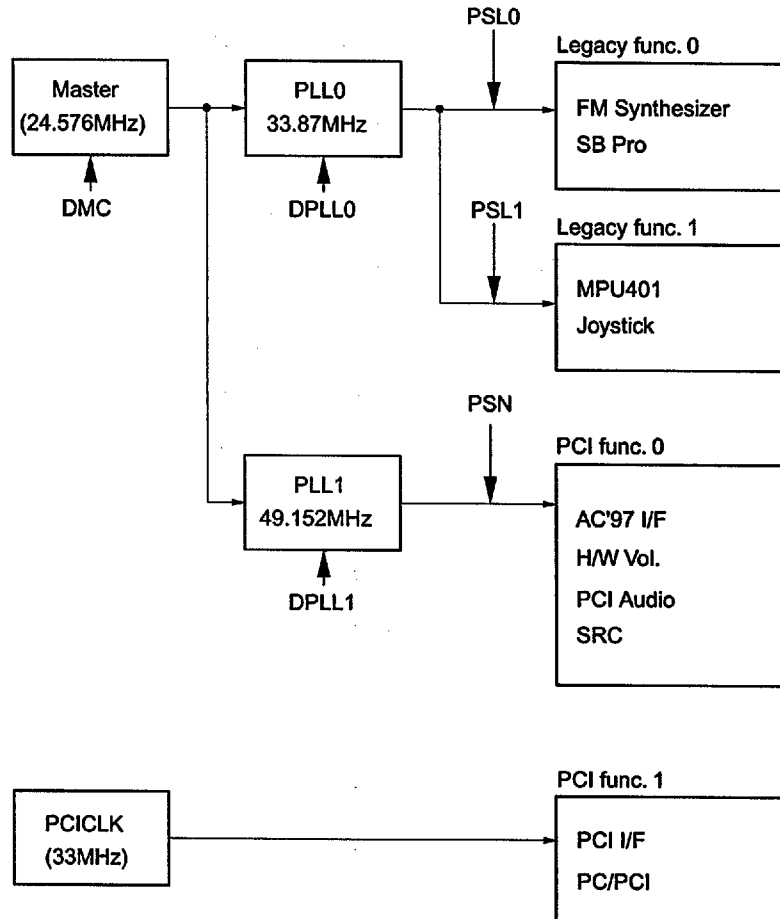
Setting this bit to "1" disables the internal clock of AC'97. In case AC'97 is used with DS-1L, the master clock is supplied from DS-1L. Therefore, when the clock of AC'97 is stopped completely, set both PR5 and PSN bits to "1".

"0": Normal (default)

"1": Disable

b[15:14].....AC'97 Power down Control 6 and 7

These bits control PR6 and PR7 status of the power control register in AC'97.



- Set DPLL0, DPLL1, PSL0, PSL1 and PSN bits to "1", when DMC bit is set to "1".
- Set PSL0 and PSL1 bits to "1", when DPLL0 bit is set to "1".
- Set PSN bit to "1", when DPLL1 bit is set to "1".

50h: Capability ID

Read Only
 Default: 01h
 Access Bus Width: 8, 16, 32-bit

| | | | | | | | |
|---------------|----|----|----|----|----|----|----|
| b7 | b6 | b5 | b4 | b3 | b2 | b1 | b0 |
| Capability ID | | | | | | | |

b[7:0]Capability ID: Capability Identifier

This register indicates that the new capability register is for Power Management control. This register is hardwired to 01h.

51h: Next Item Pointer

Read Only
 Default: 00h
 Access Bus Width: 8, 16, 32-bit

| | | | | | | | |
|-------------------|----|----|----|----|----|----|----|
| b7 | b6 | b5 | b4 | b3 | b2 | b1 | b0 |
| Next Item Pointer | | | | | | | |

b[7:0]Next Item Pointer

DS-1L does not provide other new capability besides Power Management. This register is hardwired to 00h.

52-53h: Power Management Capabilities

Read Only
 Default: 0401h
 Access Bus Width: 8, 16, 32-bit

| | | | | | | | | | | | | | | | |
|-----|-----|-----|-----|-----|-----|----|----|----|----|----|----|----|----|---------|----|
| b15 | b14 | b13 | b12 | b11 | b10 | b9 | b8 | b7 | b6 | b5 | b4 | b3 | b2 | b1 | b0 |
| | | | | | D2S | | | | | | | | | Version | |

b[2:0]Version

These bits contain the revision number of the Power Management Interface Specification. They are hardwired to 001b.

b10.....D2S: D2 Support

This bit indicates that DS-1L support "D2" of the power state. It is hardwired to "1".

54-55h: Power Management Control / Status

Read / Write
 Default: 0000h
 Access Bus Width: 8, 16, 32-bit

| | | | | | | | | | | | | | | | |
|-----|-----|-----|-----|-----|-----|----|----|----|----|----|----|----|----|----|----|
| b15 | b14 | b13 | b12 | b11 | b10 | b9 | b8 | b7 | b6 | b5 | b4 | b3 | b2 | b1 | b0 |
| | | | | | | | | | | | | | | | PS |

b[1:0]PS: Power State

These bits determine the power state of DS-1L. DS-1L supports the following power states:

- “0”: D0
- “1”: D1 (not supported)
- “2”: D2
- “3”: D3_{hot}

When the power state is changed from D3_{hot} to D0, DS-1L resets the PCI Configuration register 00-3Fh. DS-1L transits to D0 Uninitialized state.

Though the power state of this register is changed, the power consumption of DS-1L is not changed. To support low power, Windows driver controls DS-1L Power Control Register.

DS-1L can support the power state of D0, D1, D2 and D3 with ACPI. In this case, set ACPI bit (58-59h: ACPI Mode Register) to “1” to disable Capabilities of PCI Bus Power Management.

58-59h: ACPI Mode

Read / Write
 Default: 0000h
 Access Bus Width: 8, 16, 32-bit

| | | | | | | | | | | | | | | | |
|-----|-----|-----|-----|-----|-----|----|----|----|----|----|----|----|----|----|------|
| b15 | b14 | b13 | b12 | b11 | b10 | b9 | b8 | b7 | b6 | b5 | b4 | b3 | b2 | b1 | b0 |
| | | | | | | | | | | | | | | | ACPI |

b0.....ACPI: ACPI Mode Select

This bit select either PCI Bus Power Management or ACPI Mode for power management of DS-1L.

- “0”: PCI Bus Power Management is used. CAP bit (06-07h: Status Register) and Capabilities Pointer (34h) are enabled. (default)
- “1”: ACPI Mode is used. CAP bit and Capabilities Pointer are hardwired “0”, and disabled.

2. ISA Compatible Device

DS-1L contains the following functions to maintain the compatibility with the past ISA Sound Devices.

These devices are considered Legacy devices and the functions are referred to as Legacy Audio.

Legacy Audio is independent from PCI Audio and can be used simultaneously.

The configuration is set in the Legacy Audio Control Register in the PCI Configuration Register space.

Basically, these registers are configured by the BIOS.

Also, logical device IDs are assigned to the devices to support Plug and Play. Yamaha defines the following logical IDs.

To control the device with the BIOS, the logical device IDs must be defined in the PnP BIOS extended ROM space. The logical IDs are determined by how it is configured. IDs and configuration are as follows.

| Logical Device ID | Functions used (Block) | | | |
|-------------------|------------------------|--------|------------|----------|
| | FM (*) | MPU401 | SB Pro (*) | Joystick |
| YMH0100 | O | O | O | |
| YMH0101 | | | | O |

* The blocks pertain to the following.

FM: Points to the FM synthesizer mapped to AdLibBase (0x0388).

SB Pro: Points to the Voice Playback section only.

These devices are independent from each other, and can be Enabled/Disabled individually. However, both AdLib and Sound Blaster must be disabled to disable the internal FM Synthesizer. Disabling just AdLib only masks the access.

The driver by Yamaha supports only logical device ID, YMH0100. For YMH0101, use the driver provided by Microsoft.

DS-1L supports PC/PCI protocol to emulate the DMA of SB Pro on the PCI. In addition, DS-1L supports the old type of interrupts used by ISA.

The PCI-to-ISA bridge needs to support PC/PCI. IRQ is directly connected to the IRQ input pins on the PCI-to-ISA bridge.

2-1. FM Synthesizer Block

FM Synthesizer Block is register compatible with YMF289B. However, Power Management register has been deleted because it is now controlled by the PCI Configuration Register.

The following shows the FMBase I/O map of FM Synthesizer.

| | | |
|----------|-------|-----------------------------------|
| FMBase | (R) | Status Register port |
| FMBase | (W) | Address port for Register Array 0 |
| FMBase+1 | (R/W) | Data port |
| FMBase+2 | (W) | Address port for Register Array 1 |
| FMBase+3 | (R/W) | Data port |

The default FMBase value is 0x0388.

The following shows the FM Synthesizer Block registers.

2-1-1. Status Register

FM Synthesizer Status Register (RO):

| Address | D7 | D6 | D5 | D4 | D3 | D2 | D1 | D0 |
|---------|-----|-----|-----|----|----|------|----|------|
| xxh | IRQ | FT1 | FT2 | - | - | BUSY | - | BUSY |

2-1-2. FM Synthesizer Data Register

FM Synthesizer Data Register Array 0 (R/W):

| Address | D7 | D6 | D5 | D4 | D3 | D2 | D1 | D0 |
|------------------------|-----------|-----|-----|-------|------|-----|-----------|-----|
| 00-01h | LSI TEST | | | | | | | |
| 02h | TIMER 1 | | | | | | | |
| 03h | TIMER 2 | | | | | | | |
| 04h | RST | MT1 | MT2 | - | - | - | ST2 | ST1 |
| 08h | - | NTS | - | - | - | - | - | - |
| 20-35h ^{(*)1} | AM | VIB | EGT | KSR | MULT | | | |
| 40-55h ^{(*)2} | KSL | | | TL | | | | |
| 60-75h ^{(*)3} | AR | | | | DR | | | |
| 80-95h ^{(*)4} | SL | | | | RR | | | |
| A0-A8h | F-NUM (L) | | | | | | | |
| B0-B8h | - | - | KON | BLOCK | | | F-NUM (H) | |
| BDh | DAM | DVB | RHY | BD | SD | TOM | TC | HH |
| C0-C8h | *6 | *6 | CHR | CHL | FB | | | CNT |
| E0-F5h ^{(*)5} | - | - | - | - | - | WS | | |

FM Synthesizer Data Register Array 1 (R/W)

| Address | D7 | D6 | D5 | D4 | D3 | D2 | D1 | D0 |
|------------------------|-----------|-----|----------------|-------|------|----|-----------|-----|
| 00-01h | LSI TEST | | | | | | | |
| 04h | - | - | CONNECTION SEL | | | | | |
| 05h | - | - | - | - | - | * | * | NEW |
| 20-35h ^{(*)1} | AM | VIB | EGT | KSR | MULT | | | |
| 40-55h ^{(*)2} | KSL | | | TL | | | | |
| 60-75h ^{(*)3} | AR | | | | DR | | | |
| 80-95h ^{(*)4} | SL | | | | RR | | | |
| A0-A8h | F-NUM (L) | | | | | | | |
| B0-B8h | - | - | KON | BLOCK | | | F-NUM (H) | |
| C0-C8h | *6 | *6 | CHR | CHL | FB | | | CNT |
| E0-F5h ^{(*)5} | - | - | - | - | - | WS | | |

- *1 : 26h, 27h, 2Eh and 2Fh do not exist.
- *2 : 46h, 47h, 4Eh and 4Fh do not exist.
- *3 : 66h, 67h, 6Eh and 6Fh do not exist.
- *4 : 86h, 87h, 8Eh and 8Fh do not exist.
- *5 : E6h, E7h, EEh and EFh do not exist.
- *6 : The bits exist, but do not function.

2-2. Sound Blaster Pro Block

This block emulates the DSP commands of Sound Blaster and Sound Blaster Pro. Only playback functions are supported (record functions are not supported). However, to maintain compatibility for games, it is designed so that every DSP command receives a correct response.

The DMA transfer of this block uses PC/PCI protocol.

The following shows the SBBase I/O map of SB Pro.

| | | |
|-----------|-------|--|
| SBBase | (R) | FM Synthesizer Status port |
| SBBase | (W) | FM Synthesizer Address port for Register Array 0 |
| SBBase+1h | (R/W) | FM Synthesizer Data register |
| SBBase+2h | (W) | FM Synthesizer Address port for Register Array 1 |
| SBBase+3h | (R/W) | FM Synthesizer Data port |
| SBBase+4h | (W) | SB Mixer Address port |
| SBBase+5h | (R/W) | SB Mixer Data port |
| SBBase+6h | (W) | SB DSP Reset port |
| SBBase+8h | (R) | FM Synthesizer Status port |
| SBBase+8h | (W) | FM Synthesizer Address port for Register Array 0 |
| SBBase+9h | (R/W) | FM Synthesizer Data port |
| SBBase+Ah | (R) | DSP Read Data port |
| SBBase+Ch | (R) | DSP Write-buffer status port |
| SBBase+Ch | (W) | DSP Write Command/Data port |
| SBBase+Eh | (R) | DSP Read-buffer status port |

2-2-1. DSP Command

The following shows the list of DSP Commands that are supported by the SB Pro engine. Both SB and SB Pro commands are supported.

| CMD | Support | Function |
|---------|---------|--|
| 10h | o | 8bit direct mode single byte digitized sound output |
| 14h | o | 8bit single-cycle DMA mode digitized sound output |
| 16h | | 8bit to 2bit ADPCM single-cycle DMA mode digitized sound output |
| 17h | | 8bit to 2bit ADPCM single-cycle DMA mode digitized sound output with ref. byte |
| 1Ch | o | 8bit auto-init DMA mode digitized sound output |
| 1Fh | | 8bit to 2bit ADPCM auto-init DMA mode digitized sound output with ref. byte |
| 20h(*1) | o | 8bit direct mode single byte digitized sound input |
| 24h(*1) | o | 8bit single-cycle DMA mode digitized sound input |
| 2Ch(*1) | o | 8bit auto-init DMA mode digitized sound input |
| 30h | o | Polling mode MIDI input |
| 31h | o | Interrupt mode MIDI input |
| 34h | o | UART polling mode MIDI I/O |
| 35h | o | UART interrupt mode MIDI I/O |
| 36h(*2) | o | UART polling mode MIDI I/O with time stamping |
| 37h(*2) | o | UART interrupt mode MIDI I/O with time stamping |
| 38h | o | MIDI output |
| 40h | o | Set digitized sound transfer Time Constant |
| 48h | o | Set DSP block transfer size |
| 74h | o | 8bit to 4bit ADPCM single-cycle DMA mode digitized sound output |
| 75h | o | 8bit to 4bit ADPCM single-cycle DMA mode digitized sound output with ref. byte |
| 76h | | 8bit to 3bit ADPCM single-cycle DAM mode digitized sound output |
| 77h | | 8bit to 3bit ADPCM single-cycle DMA mode digitized sound output with ref. byte |
| 7Dh | o | 8bit to 4bit ADPCM auto-init DMA mode digitized sound output with ref. byte |
| 7Fh | | 8bit to 3bit ADPCM auto-init DMA mode digitized sound output with ref. byte |
| 80h | o | Pause DAC for a duration |
| 90h | o | 8bit high-speed auto-init DMA mode digitized sound output |
| 91h | o | 8bit high-speed single-cycle DMA mode digitized sound output |
| 98h(*1) | o | 8bit high-speed auto-init DMA mode digitized sound input |
| 99h(*1) | o | 8bit high-speed single-cycle DMA mode digitized sound input |
| A0h(*1) | o | Set input mode to mono |
| A8h(*1) | o | Set input mode to stereo |
| D0h | o | Pause 8bit DMA mode digitized sound I/O |
| D1h(*3) | o | Turn on speaker |
| D3h(*3) | o | Turn off speaker |
| D4h | o | Continue 8bit DMA mode digitized sound I/O |
| D8h | o | Get speaker status |
| DAh | o | Exit 8bit auto-init DMA mode digitized sound I/O |
| E1h | o | Get DSP version number |

Note:

(*1) The SB Block responds correctly to the commands for recording and also executes the DMA transfer. 80h is always transferred.

(*2) Only output is supported for this command.

(*3) This command only changes Speaker Status (D8h).

Undocumented commands other than the ones listed above are also supported.

2-2-2. Sound Blaster Pro Mixer

The following shows the register map of the Mixer section of Sound Blaster Pro.

| Address | b7 | b6 | b5 | b4 | b3 | b2 | b1 | b0 | Remark |
|---------|-----------------|----|----------|-----|-----------------|----|--------|-------|--------------|
| 00h | Reset | | | | | | | | |
| 04h | Voice Volume L | | | "1" | Voice Volume R | | | "1" | SB Pro Mixer |
| 0Ah | | | | "1" | MIC Volume* | | | | |
| 0Ch | | | Ifilter* | "1" | Input Source* | | | "1" | |
| 0Eh | | | Ofilter* | "1" | | | St. SW | "1" | |
| 22h | Master Volume L | | | "1" | Master Volume R | | | "1" | |
| 26h | MIDI Volume L | | | "1" | MIDI Volume R | | | "1" | |
| 28h | CD Volume L* | | | "1" | CD Volume R* | | | "1" | |
| 2Eh | Line Volume L* | | | "1" | Line Volume R* | | | "1" | |
| F0h | SBPDA | | | | SS | SM | SE | SBPDR | |
| F1h | SCAN DATA | | | | | | | | |
| F8h | | | | | | | | SBI | IRQ Status |

The registers marked with * exist, but do not function.

DS-1L does not have the circuit that corresponds to the SB Mixer. Therefore, the volume settings on the SB Mixer are converted to the DSP coefficients of DS-1L or to AC'97 register values.

The conversion for each case is described below.

(1) SB Mixer → DSP

The volume of master, MIDI and Voice, are applied to this case.

When the SB register is set, a 14-bit coefficient value is determined from the following conversion table and used as the DSP coefficient. The attenuation value of Master Volume, MIDI, and voice are summed together to obtain the coefficient.

These volumes cannot be controlled from PCI Audio block.

(1) Volume for MIDI

| | | MIDI Vol. (26h) | | | | | | | |
|-------------------|-------|-----------------|-------|-------|-------|-------|-------|-------|-------|
| | | 0 | 1 | 2 | 3 | 4 | 5 | 6 | 7 |
| Master Vol. (22h) | 0 | mute | mute | mute | mute | mute | mute | mute | mute |
| | | 0000h | 0000h | 0000h | 0000h | 0000h | 0000h | 0000h | 0000h |
| | 1 | mute | -52dB | -42dB | -36dB | -32dB | -30dB | -28dB | -26dB |
| | | 0000h | 0029h | 0082h | 0103h | 019Bh | 0206h | 028Ch | 0335h |
| | 2 | mute | -42dB | -32dB | -26dB | -22dB | -20dB | -18dB | -16dB |
| | | 0000h | 0082h | 019Bh | 0335h | 0515h | 0666h | 080Eh | 0A24h |
| | 3 | mute | -36dB | -26dB | -20dB | -16dB | -14dB | -12dB | -10dB |
| | | 0000h | 0103h | 0335h | 0666h | 0A24h | 0CC5h | 1013h | 143Dh |
| 4 | mute | -32dB | -22dB | -16dB | -12dB | -10dB | -8dB | -6dB | |
| | 0000h | 019Bh | 0515h | 0A24h | 1013h | 143Dh | 197Ah | 2013h | |
| 5 | mute | -30dB | -20dB | -14dB | -10dB | -8dB | -6dB | -4dB | |
| | 0000h | 0206h | 0666h | 0CC5h | 143Dh | 197Ah | 2013h | 2861h | |
| 6 | mute | -28dB | -18dB | -12dB | -8dB | -6dB | -4dB | -2dB | |
| | 0000h | 028Ch | 080Eh | 1013h | 197Ah | 2013h | 2861h | 32D6h | |
| 7 | mute | -26dB | -16dB | -10dB | -6dB | -4dB | -2dB | 0dB | |
| | 0000h | 0335h | 0A24h | 143Dh | 2013h | 2861h | 32D6h | 3FFFh | |

The default is Master = 4, MIDI = 4 (-12dB).

(2) Volume for Voice

| | | Voice Vol. (04h) | | | | | | | |
|-------------------|-------|------------------|-------|-------|-------|-------|-------|-------|--------|
| | | 0 | 1 | 2 | 3 | 4 | 5 | 6 | 7 |
| Master Vol. (22h) | 0 | mute | mute | mute | mute | mute | mute | mute | mute |
| | | 0000h | 0000h | 0000h | 0000h | 0000h | 0000h | 0000h | 0000h |
| | 1 | mute | -56dB | -46dB | -40dB | -36dB | -34dB | -32dB | -30dB |
| | | 0000h | 0019h | 0052h | 00A3h | 0103h | 0146h | 019Bh | 0206h |
| | 2 | mute | -46dB | -36dB | -30dB | -26dB | -24dB | -22dB | -20dB |
| | | 0000h | 0052h | 0103h | 0206h | 0335h | 0409h | 0515h | 0666Eh |
| | 3 | mute | -40dB | -30dB | -24dB | -20dB | -18dB | -16dB | -14dB |
| | | 0000h | 00A3h | 0206h | 0409h | 0666h | 080Eh | 0A24h | 0CC5h |
| 4 | mute | -36dB | -26dB | -20dB | -16dB | -14dB | -12dB | -10dB | |
| | 0000h | 0103h | 0335h | 0666h | 0A24h | 0CC5h | 1013h | 143Dh | |
| 5 | mute | -34dB | -24dB | -18dB | -14dB | -12dB | -10dB | -8dB | |
| | 0000h | 0146h | 0409h | 080Eh | 0CC5h | 1013h | 143Dh | 197Ah | |
| 6 | mute | -32dB | -22dB | -16dB | -12dB | -10dB | -8dB | -6dB | |
| | 0000h | 019Bh | 0515h | 0A24h | 1013h | 143Dh | 197Ah | 2013h | |
| 7 | mute | -30dB | -20dB | -14dB | -10dB | -8dB | -6dB | -4dB | |
| | 0000h | 0206h | 0666h | 0CC5h | 143Dh | 187Ah | 2013h | 2861h | |

The default is Master = 4, Voice = 4 (-16dB).

(2) SB Mixer → AC'97

The volume of CD, Line and MIC are applied to this case. AC'97 volume are not updated automatically when these values are changed. Thus, the SB Mixer values need to be written to the AC'97 register with the software.

2-2-3. SB Suspend / Resume

The SB block can read the internal state as to support Suspend and Resume functions. The internal state is made up of 218 flip flops. To read the state, these states are shifted in order and read 8 bits at a time from the SCAN DATA register.

These registers are mapped to the SB Mixer space (see SB Mixer Register map). The registers have the following functions.

F0h: Scan In/ Out Control

Read / Write
Default: 00h

| b7 | b6 | b5 | b4 | b3 | b2 | b1 | b0 |
|-------|----|----|----|----|----|----|-------|
| SBPDA | | | | SS | SM | SE | SBPDR |

b0.....SBPDR: Sound Blaster Power Down Request

This bit stops the internal state of the Sound Blaster block.

“0”: Normal (default)

“1”: Stop

b1.....SE: Scan Enable

This bit Shifts the internal state by 1 bit. Setting a “1” followed by a “0” shifts the internal state.

b2.....SM: Scan Mode

This bit sets whether to read or write the state.

“0”: Write (default)

“1”: Read

b3.....SS: Scan Select

This bit gives permission to read or write the internal data to the SCAN DATA register.

“0”: Normal operation (Do not allow read or write). (default)

“1”: Allow read and write.

b7.....SBPDA: Sound Blaster Power Down Acknowledgement

This bit indicates that the SB Block is ready to read or write to the internal state after setting SBPDR.

This bit is read only.

“0”: Read/Write not possible

“1”: Read/ Write possible

F1h: Scan In/ Out Data

Read / Write
Default: 00h

| b7 | b6 | b5 | b4 | b3 | b2 | b1 | b0 |
|-----------|----|----|----|----|----|----|----|
| SCAN DATA | | | | | | | |

b[7:0]SCAN DATA

This is the data port for reading and writing the internal state.

F8h: Interrupt Flag Register

Read Only
Default: 00h

| b7 | b6 | b5 | b4 | b3 | b2 | b1 | b0 |
|----|----|----|----|----|----|----|-----|
| - | - | - | - | - | - | - | SBI |

b0SBI: SB Interrupt Flag

This bit indicates that the SB DSP occurs the interrupt. This bit is read only. Thus, read the SB DSP read port to clearing the interrupt and this bit. Then, the value of the read port is invalid.

2-3. MPU401

This block is for transmitting and receiving MIDI data. It is compatible with UART mode of "MPU401". Full duplex operation is possible using the 16-byte FIFO for each direction, transmitting and receiving.

The following shows the MPUBase I/O map for MPU401.

| | | |
|--------------|-------|-----------------------|
| MPUBase | (R/W) | MIDI Data port |
| MPUBase + 1h | (R) | Status Register port |
| MPUBase + 1h | (W) | Command Register port |

| port | D7 | D6 | D5 | D4 | D3 | D2 | D1 | D0 |
|---------|---------|------|----|----|----|----|----|----|
| +0h | Data | | | | | | | |
| +1h (W) | Command | | | | | | | |
| +1h (R) | /DSR | /DRR | - | - | - | - | - | - |

2-4. Joystick

JSBase (R/W)

| port | D7 | D6 | D5 | D4 | D3 | D2 | D1 | D0 |
|------|------|------|------|------|------|------|------|------|
| +0h | JBB2 | JBB1 | JAB2 | JAB1 | JBCY | JBCX | JACY | JACX |

| | |
|---------|--------------------------|
| JACX... | Joystick A, Coordinate X |
| JACY... | Joystick A, Coordinate Y |
| JBCX... | Joystick B, Coordinate X |
| JBCY... | Joystick B, Coordinate Y |
| JAB1... | Joystick A, Button 1 |
| JAB2... | Joystick A, Button 2 |
| JBB1... | Joystick B, Button 1 |
| JBB2... | Joystick B, Button 2 |

3. DMA Emulation Protocol

The former synthesizer LSI for the ISA bus such as the Sound Blaster used the DMA controller (8237: ISA DMAC) on the system to transfer the sound data from/to the host.

For DS-1L, however, ISA DMAC must be used to transfer the sound data to the Sound Blaster Pro Block of the Legacy Audio Block.

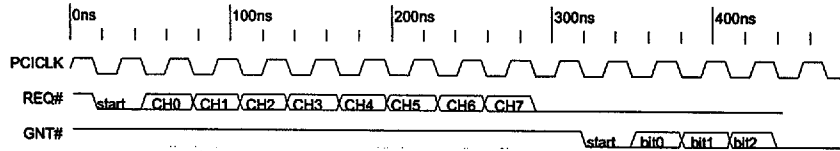
Because signals to connect to the ISA DMAC are generally not available on the PCI bus, there is a way, that is PC/PCI, proposed from the industry to emulate the ISA DMAC on the PCI bus.

DS-1L supports the protocol for transferring SB Pro sound data on the PCI bus.

3-1. PC/PCI

DS-1L provides two signals, PCREQ# and PCGNT# to realize the PC/PCI. The format of the signals is shown below. DS-1L asserts PCREQ# and sets PCREQ# to "HIGH" using the PCICLK corresponding to the DMA channel it is going to use.

In addition, DS-1L determines whether the next PCI I/O cycle is its own from the channel information that is encoded in PCGNT#.



PCGNT# is encoded as follows.

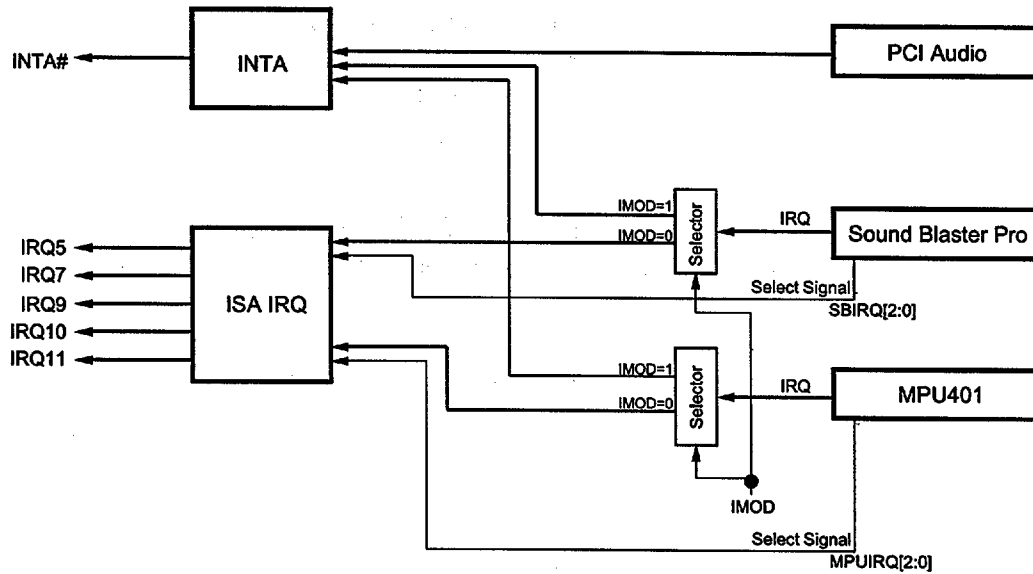
| GNT# Encoding | | | |
|---------------|------|------|---------------|
| bit2 | bit1 | bit0 | GNT# Bits |
| 0 | 0 | 0 | DMA Channel 0 |
| 0 | 0 | 1 | DMA Channel 1 |
| 0 | 1 | 0 | DMA Channel 2 |
| 0 | 1 | 1 | DMA Channel 3 |
| 1 | 0 | 0 | Reserved |
| 1 | 0 | 1 | DMA Channel 5 |
| 1 | 1 | 0 | DMA Channel 6 |
| 1 | 1 | 1 | DMA Channel 7 |

DS-1L supports only 8-bit DMA channels (DMA Channel 0-3). It also only supports Single DMA transfer.

4. Interrupt Routing

DS-1L supports two types of interrupts, interrupt signal on the PCI bus (INTA#) and interrupt signal on the ISA bus (IRQ[5,7,9,10,11]).

The IRQs on DS-1L are routed as shown below.



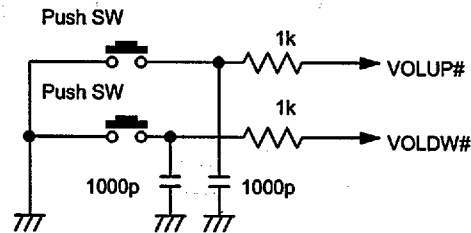
PCI Audio can only use INTA#, but the Sound Blaster Pro and MPU401 blocks of the Legacy Audio Block can use any of the two protocols.

The protocol can be switched using 42-43h (Legacy Audio Control Register) of the PCI Configuration Register.

5. Hardware Volume Control

The hardware volume control determines the AC'97 master volume without using any software control using the external circuit listed below.

Two pins, VOLUP# for increasing the volume and VOLDW# for decreasing the volume, are used.



DS-1L provides a shadow register for the AC'97 master volume. When the software accesses the AC'97 Master Volume, it is always reflected in the shadow register.

The value of the shadow register is incremented by 1.5dB on the rising edge of the signal input to the VOLUP# pin. If it is already set to the maximum value, it does not change. The value set in the shadow register automatically updates the AC'97 master volume register through the AC-Link.

The value of the shadow register is decremented by 1.5dB on the rising edge of the signal input to the VOLDW# pin. If it is already set to the minimum value, it does not change. The value set in the shadow register automatically updates the AC'97 master volume register through the AC-Link.

Also, when both VOLUP#, VOLDW# pins are at LOW level, the MUTE bit of the shadow address is enabled and the Master Volume Mute bit of the AC'97 register is automatically set through the AC-Link. When a rising edge is detected on either VOLUP# or VOLDW#, the MUTE bit is reset through the AC-Link. The Master Volume is set to the value before the Mute.

If the AC-Link is BUSY (when controlling the register from the AC'97 Control Register), the value in the shadow register is set to AC'97 on the next frame. The AC'97 Control Register is set to BUSY in this case.

When the master volume changes or is muted due to VOLUP#, VOLDW#, an interrupt is generated at the host.

The interrupt is used to notify the driver that the Master Volume has been changed from the outside.

■ ELECTRICAL CHARACTERISTICS

1. Absolute Maximum Ratings

| Item | Symbol | Min. | Max. | Unit |
|-------------------------------------|-----------|------|---------------|------|
| Power Supply Voltage 1 (PVDD, VDD5) | V_{DD5} | -0.5 | 7.0 | V |
| Power Supply Voltage 2 (VDD3, LVDD) | V_{DD3} | -0.3 | 4.6 | V |
| Input Voltage 1 (PVDD, VDD5) | V_{IN5} | -0.5 | $V_{DD5}+0.5$ | V |
| Input Voltage 2 (VDD3, LVDD) | V_{IN3} | -0.3 | $V_{DD3}+0.3$ | V |
| Operating Ambient Temperature | T_{OP} | 0 | 70 | °C |
| Storage Temperature | T_{STG} | -50 | 125 | °C |

Note : PVSS=LVSS=VSS=0[V]

2. Recommended Operating Conditions

| Item | Symbol | Min. | Typ. | Max. | Unit |
|-------------------------------------|-----------|------|------|------|------|
| Power Supply Voltage 1 (PVDD, VDD5) | V_{DD5} | 4.75 | 5.00 | 5.25 | V |
| Power Supply Voltage 2 (VDD3, LVDD) | V_{DD3} | 3.00 | 3.30 | 3.60 | V |
| Operating Ambient Temperature | T_{OP} | 0 | 25 | 70 | °C |

Note : PVSS=LVSS=VSS=0[V]

3. DC Characteristics

| Item | Symbol | Condition | Min. | Typ. | Max. | Unit |
|--|-------------|--------------------------|-----------------|------|-----------------|---------|
| High Level Input Voltage 1 | V_{IH1} | *1 | 2.2 | | $V_{DD5} + 0.5$ | V |
| Low Level Input Voltage 1 | V_{IL1} | *1 | -0.5 | | 0.8 | V |
| High Level Input Voltage 2 | V_{IH2} | *2 | 2.2 | | $V_{DD5} + 0.5$ | V |
| Low Level Input Voltage 2 | V_{IL2} | *2 | -0.5 | | 0.6 | V |
| High Level Input Voltage 3 | V_{IH3} | *3 | 2.2 | | | V |
| Low Level Input Voltage 3 | V_{IL3} | *3 | | | 0.8 | V |
| High Level Input Voltage 4 | V_{IH4} | *4 | $0.7V_{DD5}$ | | | V |
| Low Level Input Voltage 4 | V_{IL4} | *4 | | | $0.2V_{DD5}$ | V |
| Input Leakage Current | I_{IL} | $0 < V_{IN} < V_{DD5}$ | -10 | | 10 | μA |
| High Level Output Voltage 1 | V_{OH1} | *5, $I_{OH1} = -1mA$ | 2.4 | | | V |
| Low Level Output Voltage 1 | V_{OL1} | *5, $I_{OL1} = 3mA$ | | | 0.55 | V |
| High Level Output Voltage 2 | V_{OH2} | *6, $I_{OH2} = -2mA$ | 2.4 | | | V |
| Low Level Output Voltage 2 | V_{OL2} | *6, $I_{OL2} = 6mA$ | | | 0.55 | V |
| High Level Output Voltage 3 | V_{OH3} | *7, $I_{OH3} = -4mA$ | 2.4 | | | V |
| Low Level Output Voltage 3 | V_{OL3} | *7, $I_{OL3} = 12mA$ | | | 0.55 | V |
| High Level Output Voltage 4 | V_{OH4} | *8, $I_{OH4} = -80\mu A$ | $V_{DD5} - 1.0$ | | | V |
| Low Level Output Voltage 4 | V_{OL4} | *8, $I_{OL4} = 2mA$ | | | 0.4 | V |
| Input Pin Capacitance | C_{IN} | | 5 | | 15 | pF |
| Clock Pin Capacitance | C_{CLK} | | 5 | | 15 | pF |
| IDSEL Pin Capacitance | C_{IDSEL} | | 5 | | 15 | pF |
| Output Leakage Current | I_{OL} | | -10 | | 10 | μA |
| Power Supply Current 1 (Normal Operation) | | PVDD+VDD5 | | | 60 | mA |
| | | VDD3 | | | 145 | mA |
| Power Supply Current 2 (Power Save) | | *9, PVDD+VDD5 | | 0.5 | 2 | mA |
| | | *9, VDD3 | | 6 | 10 | mA |

Note : Top = 0~70°C, PVDD=5.0±0.25[V], VDD5=5.0±0.25[V], VDD3=3.3±0.3[V], LVDD=3.3±0.3[V], $C_L=50$ pF

*1: Applicable to all PCI Input/Output pins and Input pins except PCICLK and RST# pin.

*2: Applicable to RST# pin.

*3: Applicable to CBCLK, CSDI, GP[7:4], RXD and TEST[7:0]# pins.

*4: Applicable to XI24 pin.

*5: Applicable to AD[31:0], C/BE[3:0]#, PAR, REQ#, PCREQ#, SERIRQ# and TXD pins.

*6: Applicable to FRAME#, IRDY#, TRDY#, STOP#, DEVSEL#, PERR#, SERR#, CRST#, CSYNC and CSDO pins.

*7: Applicable to IRQ5, IRQ7, IRQ9, IRQ10, IRQ11 and INTA# pins.

*8: Applicable to CMCLK and XO24 pins.

*9: DS-1L Power Control Register, DMC=DPLL0=DPLL1=PSN=PSL0=PSL1="1", PCICLK (33MHz) is stopped.

4. AC Characteristics

4-1. Master Clock (Fig.1)

| Item | Symbol | Min. | Typ. | Max. | Unit |
|-----------------|--------------|------|-------|------|------|
| XI24 Cycle Time | t_{XICYC} | - | 40.69 | - | ns |
| XI24 High Time | t_{XIHIGH} | 16 | - | 24 | ns |
| XI24 Low Time | t_{XILOW} | 16 | - | 24 | ns |

Note : Top = 0-70°C, PVDD=5.0±0.25 V, VDD5=5.0±0.25 V, VDD3=3.3±0.3 V, LVDD=3.3±0.3 V

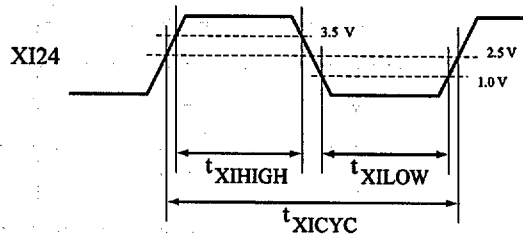


Fig.1: XI24 Master Clock timing

4-2. Reset (Fig.2)

| Item | Symbol | Min. | Typ. | Max. | Unit |
|--------------------------------------|--------------|------|------|------|-------|
| Reset Active Time after Power Stable | t_{RST} | 1 | - | - | ms |
| Power Stable to Reset Rising Edge | t_{RSTOFF} | 10 | - | - | ms |
| Reset Slew Rate | - | 50 | - | - | mV/ns |

Note : Top = 0-70°C, PVDD=5.0±0.25 V, VDD5=5.0±0.25 V, VDD3=3.3±0.3 V, LVDD=3.3±0.3 V, $C_L=50$ pF

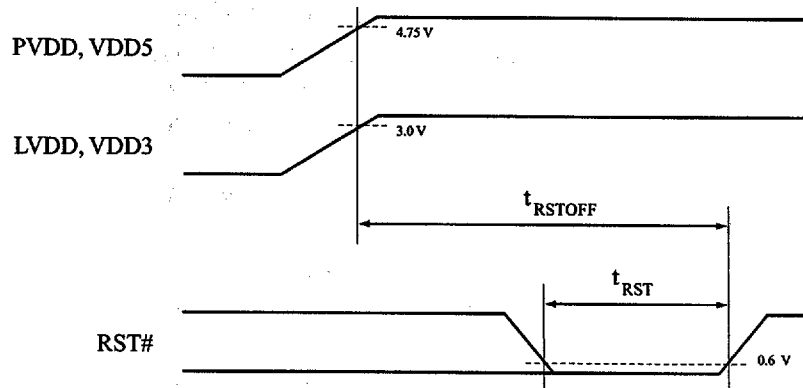


Fig.2: PCI Reset timing

4-3. PCI Interface (Fig.3, 4)

| Item | Symbol | Condition | Min. | Typ. | Max. | Unit |
|------------------------------|-----------------|----------------------|------|------|------|------|
| PCICLK Cycle Time | t_{PCYC} | | 30 | - | - | ns |
| PCICLK High Time | t_{PHIGH} | | 11 | - | - | ns |
| PCICLK Low Time | t_{PLOW} | | 11 | - | - | ns |
| PCICLK Slew Rate | - | | 1 | - | 4 | V/ns |
| PCICLK to Signal Valid Delay | t_{PVAL} | (Bused signal) | 2 | - | 11 | ns |
| | $t_{PVAL(PTP)}$ | (Point to Point) | 2 | - | 12 | ns |
| Float to Active Delay | t_{PON} | | 2 | - | - | ns |
| Active to Float Delay | t_{POFF} | | - | - | 28 | ns |
| Input Setup Time to PCICLK | t_{PSU} | (Bused signal) | 7 | - | - | ns |
| | $t_{PSU(PTP)}$ | *10 (Point to Point) | 10 | - | - | ns |
| | | *11 (Point to Point) | 12 | - | - | ns |
| Input Hold Time for PCICLK | t_{PH} | | 0 | - | - | ns |

Note : Top = 0-70°C, PVDD=5.0±0.25 V, VDD5=5.0±0.25 V, VDD3=3.3±0.3 V, LVDD=3.3±0.3 V, C_L=50 pF

*10: This characteristic is applicable to REQ# and PCREQ# signal.

*11: This characteristic is applicable to GNT# and PCGNT# signal.

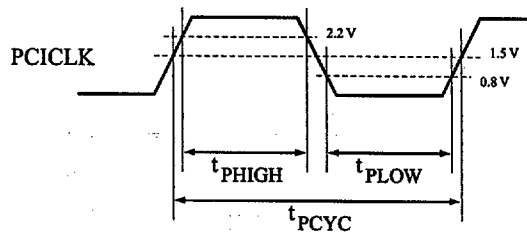


Fig.3: PCI Clock timing

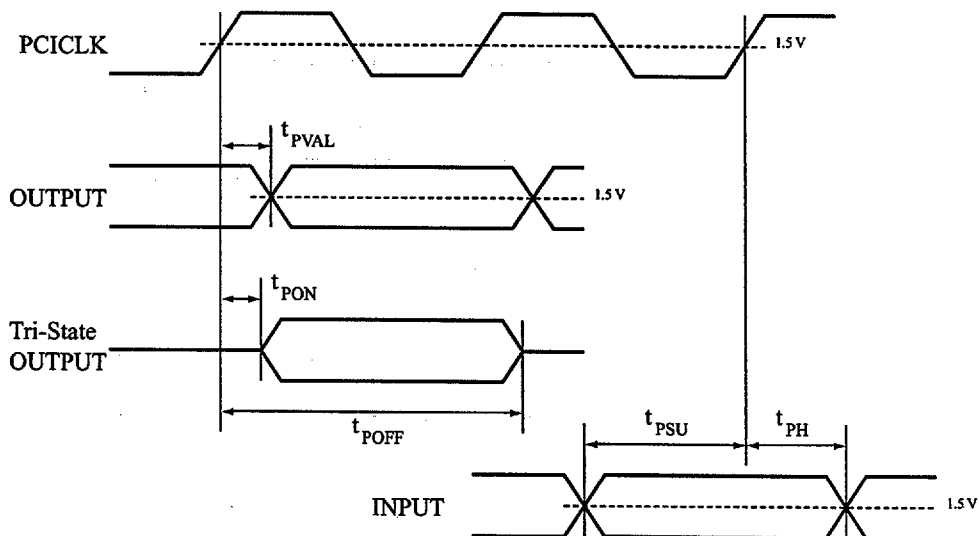


Fig.4: PCI Bus Signals timing

4-4. AC'97 Master Clock (Fig.5)

| Item | Symbol | Min. | Typ. | Max. | Unit |
|--------------------|--------------|------|-------|------|------|
| CMCLK Cycle Time | t_{CMCYC} | - | 40.69 | - | ns |
| CMCLK High Time | t_{CMHIGH} | 8 | - | - | ns |
| CMCLK Low Time | t_{CMLOW} | 8 | - | - | ns |
| CMCLK Rising Time | t_{CMR} | - | 4.6 | - | ns |
| CMCLK Falling Time | t_{CMF} | - | 2.1 | - | ns |

Note : Top = 0-70°C, PVDD=5.0±0.25 V, VDD5=5.0±0.25 V, VDD3=3.3±0.3 V, LVDD=3.3±0.3 V, $C_L=50$ pF

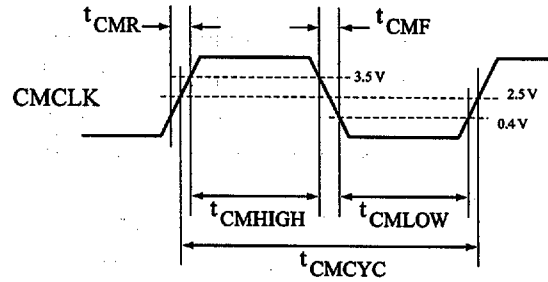


Fig.5: Master Clock timing for AC'97

4-5. AC-link (Fig.6)

| Item | Symbol | Condition | Min. | Typ. | Max. | Unit |
|-----------------------------|---------------|-----------|------|------|------|---------|
| CBCLK Cycle Time | t_{CBICYC} | | - | 81.4 | - | ns |
| CBCLK High Time | $t_{CBIHIGH}$ | | 35 | 40.7 | 45 | ns |
| CBCLK Low Time | t_{CBILOW} | | 35 | 40.7 | 45 | ns |
| CSYNC Cycle Time | t_{CSYCYC} | | - | 20.8 | - | ns |
| CSYNC High Time | $t_{CSYHIGH}$ | | - | 1.3 | - | ns |
| CSYNC Low Time | t_{CSYLOW} | | - | 19.5 | - | ns |
| CBCLK to Signal Valid Delay | t_{CVAL} | *11 | - | - | 20 | ns |
| Output Hold Time for CBCLK | t_{COH} | *11 | 0 | - | - | ns |
| Input Setup Time to CBCLK | t_{CISU} | *12 | 15 | - | - | ns |
| Input Hold Time for CBCLK | t_{CIH} | *12 | 5 | - | - | ns |
| Warm Reset Width | | | - | 1.3 | - | μ s |

Note) Top = 0-70°C, PVDD=5.0±0.25 V, VDD5=5.0±0.25 V, VDD3=3.3±0.3 V, LVDD=3.3±0.3 V, $C_L=50$ pF

*11: This characteristic is applicable to CSYNC and CSDO signal.

*12: This characteristic is applicable to CSDI signal.

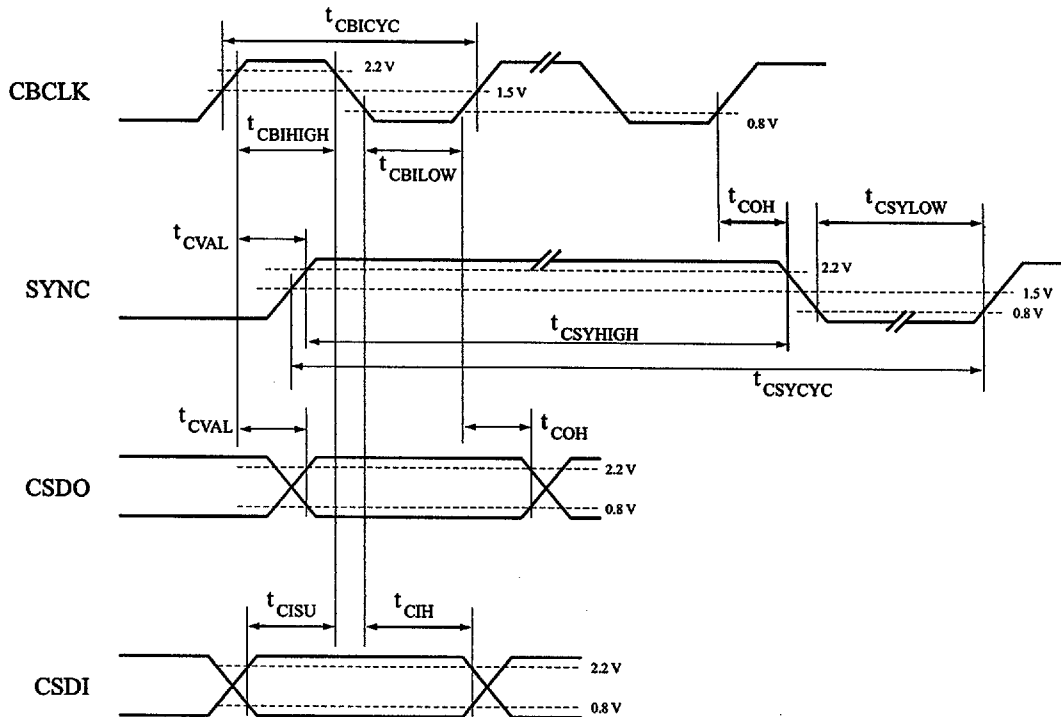
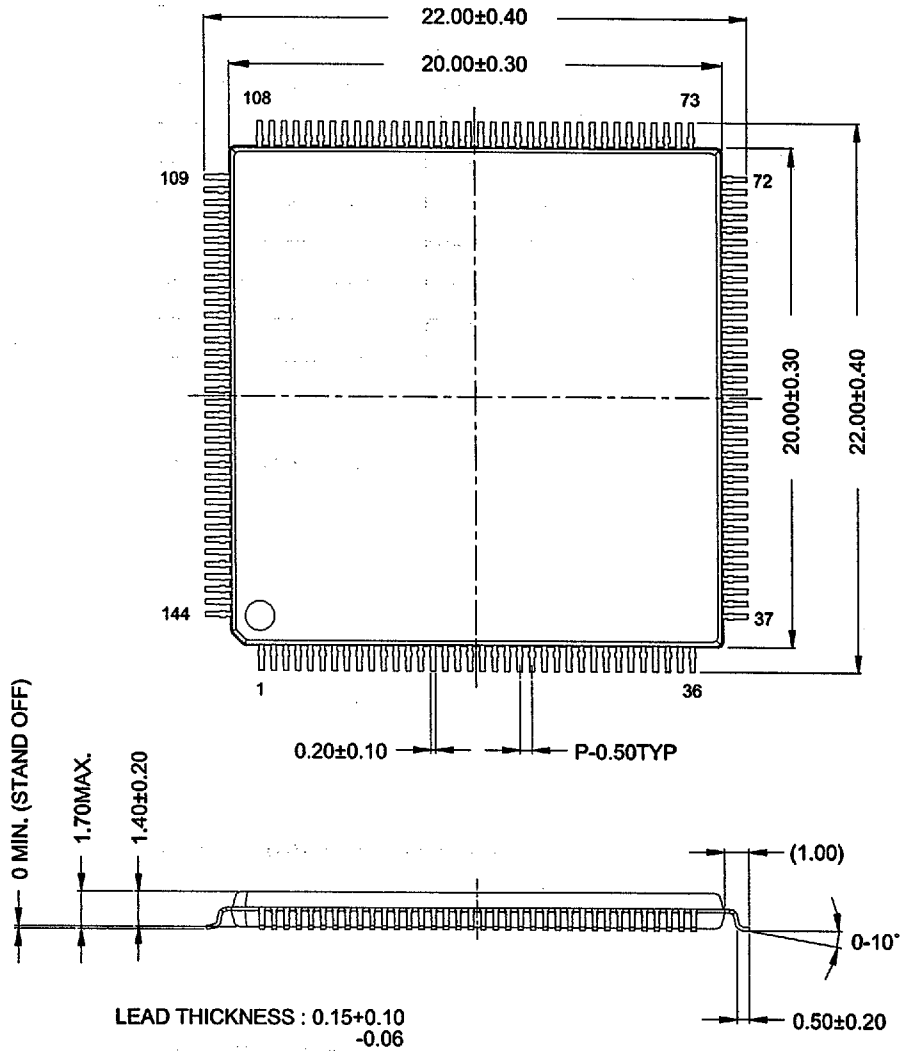


Fig.6: AC-link timing

EXTERNAL DIMENSIONS

YMF740C-V



The shape of the molded corner may slightly different from the shape in this diagram.

The figure in the parenthesis () should be used as a reference.

Plastic body dimensions do not include burr of resin.

UNIT : mm

Note : The LSIs for surface mount need especial consideration on storage and soldering conditions.

For detailed information, please contact your nearest agent of Yamaha.