



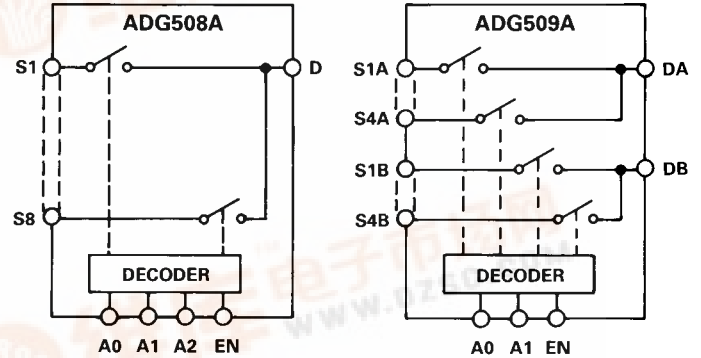
# CMOS 4/8 Channel Analog Multiplexers

## ADG508A/ADG509A

### FEATURES

- 44V Supply Maximum Rating
- $V_{SS}$  to  $V_{DD}$  Analog Signal Range
- Single/Dual Supply Specifications
- Wide Supply Ranges (10.8V to 16.5V)
- Extended Plastic Temperature Range  
(-40°C to +85°C)
- Low Power Dissipation (28mW max)
- Low Leakage (20pA typ)
- Available in 16-Lead DIP/SOIC and  
20-Lead PLCC/LCCC Packages
- Superior Alternative to:  
DG508A, HI-508  
DG509A, HI-509

### FUNCTIONAL BLOCK DIAGRAMS



### GENERAL DESCRIPTION

The ADG508A and ADG509A are CMOS monolithic analog multiplexers with 8 channels and dual 4 channels respectively. The ADG508A switches one of 8 inputs to a common output depending on the state of three binary addresses and an enable input. The ADG509A switches one of 4 differential inputs to a common differential output depending on the state of two binary addresses and an enable input. Both devices have TTL and 5V CMOS logic compatible digital inputs.

The ADG508A and ADG509A are designed on an enhanced LC<sup>2</sup>MOS process which gives an increased signal capability of  $V_{SS}$  to  $V_{DD}$  and enables operation over a wide range of supply voltages. The devices can comfortably operate anywhere in the 10.8V to 16.5V single or dual supply range. These multiplexers also feature high switching speeds and low  $R_{ON}$ .

### PRODUCT HIGHLIGHTS

1. Single/Dual Supply Specifications with a Wide Tolerance:  
The devices are specified in the 10.8V to 16.5V range for both single and dual supplies.
2. Extended Signal Range:  
The enhanced LC<sup>2</sup>MOS processing results in a high breakdown and an increased analog signal range of  $V_{SS}$  to  $V_{DD}$ .
3. Break-Before-Make Switching:  
Switches are guaranteed break-before-make so that input signals are protected against momentary shorting.
4. Low Leakage:  
Leakage currents in the range of 20pA make these multiplexers suitable for high precision circuits.

### ORDERING GUIDE

| Model <sup>1</sup> | Temperature Range | Package Option <sup>2</sup> |
|--------------------|-------------------|-----------------------------|
| ADG508AKN          | -40°C to +85°C    | N-16                        |
| ADG508AKR          | -40°C to +85°C    | R-16A                       |
| ADG508AKP          | -40°C to +85°C    | P-20A                       |
| ADG508ABQ          | -40°C to +85°C    | Q-16                        |
| ADG508ATQ          | -55°C to +125°C   | Q-16                        |
| ADG508ATE          | -55°C to +125°C   | E-20A                       |
| ADG509AKN          | -40°C to +85°C    | N-16                        |
| ADG509AKR          | -40°C to +85°C    | R-16A                       |
| ADG509AKP          | -40°C to +85°C    | P-20A                       |
| ADG509ABQ          | -40°C to +85°C    | Q-16                        |
| ADG509ATQ          | -55°C to +125°C   | Q-16                        |
| ADG509ATE          | -55°C to +125°C   | E-20A                       |

### NOTES

<sup>1</sup>To order MIL-STD-883, Class B processed parts, add /883B to part number. See Analog Devices Military Products Databook (1990) for military data sheet.

<sup>2</sup>E = Leadless Ceramic Chip Carrier (LCCC); N = Plastic DIP; P = Plastic Leaded Chip Carrier (PLCC); Q = Cerdip; R = 0.15" Small Outline IC (SOIC).



# ADG508A/ADG509A—SPECIFICATIONS

**DUAL SUPPLY** ( $V_{DD} = +10.8V$  to  $+16.5V$ ,  $V_{SS} = -10.8V$  to  $-16.5V$  unless otherwise specified)

| Parameter   | ADG508A<br>ADG509A<br>K Version |                      | ADG508A<br>ADG509A<br>B Version |                      | ADG508A<br>ADG509A<br>T Version |                      | Units  | Comments  |
|---|---------------------------------|----------------------|---------------------------------|----------------------|---------------------------------|----------------------|--|---|
|   | +25°C                           | -40°C to<br>+85°C    | 25°C                            | -40°C to<br>+85°C    | +25°C                           | -55°C to<br>+125°C   |  |   |
| <b>ANALOG SWITCH</b>  |                                 |                      |                                 |                      |                                 |                      |  |   |
| Analog Signal Range   | $V_{SS}$<br>$V_{DD}$            | $V_{SS}$<br>$V_{DD}$ | $V_{SS}$<br>$V_{DD}$            | $V_{SS}$<br>$V_{DD}$ | $V_{SS}$<br>$V_{DD}$            | $V_{SS}$<br>$V_{DD}$ | V min<br>V max                               |   |
| $R_{ON}$  | 280<br>450<br>300               | 600<br>400           | 280<br>450<br>300               | 600<br>400           | 280<br>450<br>300               | 600<br>400           | $\Omega$ typ<br>$\Omega$ max<br>$\Omega$ max | $-10V \leq V_S \leq +10V$ , $I_{DS} = 1mA$ ; Test Circuit 1<br><br>$V_{DD} = 15V(\pm 10\%)$ , $V_{SS} = -15V(\pm 10\%)$<br>$V_{DD} = 15V(\pm 5\%)$ , $V_{SS} = -15V(\pm 5\%)$<br>$V_S = 0$ , $I_{DS} = 1mA$ |
| $R_{ON}$ Drift  | 0.6                             |                      | 0.6                             |                      | 0.6                             |                      | %/°C typ                                     |   |
| $R_{ON}$ Match  | 5                               |                      | 5                               |                      | 5                               |                      | % typ  | $-10V \leq V_S \leq +10V$ , $I_{DS} = 1mA$  |
| $I_S$ (OFF), Off Input Leakage                              | 0.02<br>1                       | 50                   | 0.02<br>1                       | 50                   | 0.02<br>1                       | 50                   | nA typ<br>nA max                             | $V_1 = \pm 10V$ , $V_2 = \mp 10V$ ; Test Circuit 2  |
| $I_D$ (OFF), Off Output Leakage                             | 0.04<br>1                       | 100                  | 0.04<br>1                       | 100                  | 0.04<br>1                       | 100                  | nA typ<br>nA max                             | $V_1 = +10V$ , $V_2 = \mp 10V$ ; Test Circuit 3   |
| ADG509A   | 1                               | 50                   | 1                               | 50                   | 1                               | 50                   | nA max                                       |   |
| $I_D$ (ON), On Channel Leakage                              | 0.04<br>1                       | 100                  | 0.04<br>1                       | 100                  | 0.04<br>1                       | 100                  | nA typ<br>nA max                             | $V_1 = V_2 = \pm 10V$ ; Test Circuit 4  |
| ADG509A   | 1                               | 50                   | 1                               | 50                   | 1                               | 50                   | nA max                                       |   |
| $I_{DIFF}$ , Differential Off Output Leakage (ADG509A only) |                                 | 25                   |                                 | 25                   |                                 | 25                   | nA max                                       | $V_1 = \pm 10V$ , $V_2 = \mp 10V$ ; Test Circuit 5  |
| <b>DIGITAL CONTROL</b>                                      |                                 |                      |                                 |                      |                                 |                      |  |   |
| $V_{INH}$ , Input High Voltage                              |                                 | 2.4                  |                                 | 2.4                  |                                 | 2.4                  | V min  |   |
| $V_{INL}$ , Input Low Voltage                               |                                 | 0.8                  |                                 | 0.8                  |                                 | 0.8                  | V max  |   |
| $I_{INL}$ or $I_{INH}$                                      |                                 | 1                    |                                 | 1                    |                                 | 1                    | $\mu A$ max                                  | $V_{IN} = 0$ to $V_{DD}$  |
| $C_{IN}$ Digital Input Capacitance                          | 8                               |                      | 8                               |                      | 8                               |                      | pF max                                       |   |
| <b>DYNAMIC CHARACTERISTICS</b>                              |                                 |                      |                                 |                      |                                 |                      |  |   |
| $t_{TRANSITION}^1$  | 200<br>300                      | 400                  | 200<br>300                      | 400                  | 200<br>300                      | 400                  | ns typ<br>ns max                             | $V_1 = \pm 10V$ , $V_2 = \mp 10V$ ; Test Circuit 6  |
| $t_{OPEN}^1$  | 50<br>25                        | 10                   | 50<br>25                        | 10                   | 50<br>25                        | 10                   | ns typ<br>ns min                             | Test Circuit 7  |
| $t_{ON}(EN)^1$  | 200<br>300                      | 400                  | 200<br>300                      | 400                  | 200<br>300                      | 400                  | ns typ<br>ns max                             | Test Circuit 8  |
| $t_{OFF}(EN)^1$   | 200<br>300                      | 400                  | 200<br>300                      | 400                  | 200<br>300                      | 400                  | ns typ<br>ns max                             | Test Circuit 8  |
| OFF Isolation   | 68<br>50                        |                      | 68<br>50                        |                      | 68<br>50                        |                      | dB typ<br>dB min                             | $V_{EN} = 0.8V$ , $R_L = 1k\Omega$ , $C_L = 15pF$ ,<br>$V_S = 7V$ rms, $f = 100kHz$   |
| $C_S$ (OFF)   | 5                               |                      | 5                               |                      | 5                               |                      | pF typ                                       | $V_{EN} = 0.8V$   |
| $C_D$ (OFF)   |                                 |                      |                                 |                      |                                 |                      |  |   |
| ADG508A   | 22                              |                      | 22                              |                      | 22                              |                      | pF typ                                       | $V_{EN} = 0.8V$   |
| ADG509A   | 11                              |                      | 11                              |                      | 11                              |                      | pF typ                                       |   |
| $Q_{INJ}$ , Charge Injection                                | 4                               |                      | 4                               |                      | 4                               |                      | pC typ                                       | $R_S = 0\Omega$ , $V_S = 0$ ; Test Circuit 9  |
| <b>POWER SUPPLY</b>   |                                 |                      |                                 |                      |                                 |                      |  |   |
| $I_{DD}$  | 0.6                             | 1.5                  | 0.6                             | 1.5                  | 0.6                             | 1.5                  | mA typ<br>mA max                             | $V_{IN} = V_{INL}$ or $V_{INH}$   |
| $I_{SS}$  | 20                              | 0.2                  | 20                              | 0.2                  | 20                              | 0.2                  | $\mu A$ typ<br>mA max                        | $V_{IN} = V_{INL}$ or $V_{INH}$   |
| Power Dissipation   | 10                              | 28                   | 10                              | 28                   | 10                              | 28                   | mW typ<br>mW max                             |   |

**NOTE**

<sup>1</sup>Sample tested at 25°C to ensure compliance.

Specifications subject to change without notice.

**SINGLE SUPPLY** ( $V_{DD} = +10.8V$  to  $+16.5V$ ,  $V_{SS} = GND = 0V$  unless otherwise noted.)

| Parameter   | ADG508A<br>ADG509A<br>K Version |          | ADG508A<br>ADG509A<br>B Version |          | ADG508A<br>ADG509A<br>T Version |          | Units        | Comments  |
|---|---------------------------------|----------|---------------------------------|----------|---------------------------------|----------|--------------|---|
|   | -40°C to                        |          | -40°C to                        |          | -55°C to                        |          |              |   |
|   | +25°C                           | +85°C    | +25°C                           | +85°C    | +25°C                           | +125°C   |              |   |
| <b>ANALOG SWITCH</b>  |                                 |          |                                 |          |                                 |          |              |   |
| Analog Signal Range   | GND                             | GND      | GND                             | GND      | GND                             | GND      | V min        | $GND \leq V_S \leq +10V$ , $I_{DS} = 0.5mA$ Test; Circuit 1<br><br>$V_S = 0$ , $I_{DS} = 0.5mA$<br>$GND \leq V_S \leq +10V$ , $I_{DS} = 0.5mA$<br><br>$V1 = +10V/GND$ , $V2 = GND/+10V$ ,<br>Test Circuit 2<br><br>$V1 = +10V/GND$ , $V2 = GND/+10V$ ;<br>Test Circuit 3<br><br>$V1 = V2 = +10V/GND$ ;<br>Test Circuit 4<br><br>$V1 = +10V/GND$ , $V2 = GND/+10V$ ;<br>Test Circuit 5 |
| $R_{ON}$  | $V_{DD}$                        | $V_{DD}$ | $V_{DD}$                        | $V_{DD}$ | $V_{DD}$                        | $V_{DD}$ | V max        |   |
|   | 500                             | 1000     | 500                             | 1000     | 500                             | 1000     | $\Omega$ typ |   |
| $R_{ON}$ Drift  | 700                             | 1000     | 700                             | 1000     | 700                             | 1000     | $\Omega$ max |   |
| $R_{ON}$ Match  | 0.6                             |          | 0.6                             |          | 0.6                             |          | %/°C typ     |   |
| $I_S$ (OFF), Off Input Leakage                              | 5                               |          | 5                               |          | 5                               |          | % typ        |   |
|   | 0.02                            |          | 0.02                            |          | 0.02                            |          | nA typ       |   |
|   | 1                               | 50       | 1                               | 50       | 1                               | 50       | nA max       |   |
| $I_D$ (OFF), Off Output Leakage                             | 0.04                            |          | 0.04                            |          | 0.04                            |          | nA typ       |   |
| ADG508A   | 1                               | 100      | 1                               | 100      | 1                               | 100      | nA max       |   |
| ADG509A   | 1                               | 50       | 1                               | 50       | 1                               | 50       | nA max       |   |
| $I_D$ (ON), On Channel Leakage                              | 0.04                            |          | 0.04                            |          | 0.04                            |          | nA typ       |   |
| ADG508A   | 1                               | 100      | 1                               | 100      | 1                               | 100      | nA max       |   |
| ADG509A   | 1                               | 50       | 1                               | 50       | 1                               | 50       | nA max       |   |
| $I_{DIFF}$ , Differential Off Output Leakage (ADG509A only) |                                 | 25       |                                 | 25       |                                 | 25       | nA max       |   |
| <b>DIGITAL CONTROL</b>                                      |                                 |          |                                 |          |                                 |          |              |   |
| $V_{INH}$ , Input High Voltage                              |                                 | 2.4      |                                 | 2.4      |                                 | 2.4      | V min        | $V_{IN} = 0$ to $V_{DD}$  |
| $V_{INL}$ , Input Low Voltage                               |                                 | 0.8      |                                 | 0.8      |                                 | 0.8      | V max        |   |
| $I_{INL}$ or $I_{INH}$                                      |                                 | 1        |                                 | 1        |                                 | 1        | $\mu A$ max  |   |
| $C_{IN}$ Digital Input Capacitance                          | 8                               |          | 8                               |          | 8                               |          | pF max       |   |
|   |                                 |          |                                 |          |                                 |          |              |   |
| <b>DYNAMIC CHARACTERISTICS</b>                              |                                 |          |                                 |          |                                 |          |              |   |
| $t_{TRANSITION}^1$  | 300                             |          | 300                             |          | 300                             |          | ns typ       | $V1 = +10V/GND$ , $V2 = GND/+10V$ ; Test Circuit 6  |
|   | 450                             | 600      | 450                             | 600      | 450                             | 600      | ns max       |   |
| $t_{OPEN}^1$  | 50                              |          | 50                              |          | 50                              |          | ns typ       | Test Circuit 7  |
|   | 25                              | 10       | 25                              | 10       | 25                              | 10       | ns min       |   |
| $t_{ON} (EN)^1$   | 250                             |          | 250                             |          | 250                             |          | ns typ       | Test Circuit 8  |
|   | 450                             | 600      | 450                             | 600      | 450                             | 600      | ns max       |   |
| $t_{OFF} (EN)^1$  | 250                             |          | 250                             |          | 250                             |          | ns typ       | Test Circuit 8  |
|   | 450                             | 600      | 450                             | 600      | 450                             | 600      | ns max       |   |
| OFF Isolation   | 68                              |          | 68                              |          | 68                              |          | dB typ       | $V_{EN} = 0.8V$ , $R_L = 1k\Omega$ , $C_L = 15pF$ ,<br>$V_S = 3.5V$ rms, $f = 100kHz$   |
|   | 50                              |          | 50                              |          | 50                              |          | dB min       |   |
| $C_S$ (OFF)   | 5                               |          | 5                               |          | 5                               |          | pF typ       | $V_{EN} = 0.8V$   |
| $C_D$ (OFF)   |                                 |          |                                 |          |                                 |          | pF typ       | $V_{EN} = 0.8V$   |
| ADG508A   | 22                              |          | 22                              |          | 22                              |          | pF typ       |   |
| ADG509A   | 11                              |          | 11                              |          | 11                              |          | pF typ       |   |
| $Q_{INJ}$ , Charge Injection                                | 4                               |          | 4                               |          | 4                               |          | pC typ       | $R_S = 0\Omega$ , $V_S = 0V$ ; Test Circuit 9   |
| <b>POWER SUPPLY</b>   |                                 |          |                                 |          |                                 |          |              |   |
| $I_{DD}$  | 0.6                             |          | 0.6                             |          | 0.6                             |          | mA typ       | $V_{IN} = V_{INL}$ or $V_{INH}$   |
|   |                                 | 1.5      |                                 | 1.5      |                                 | 1.5      | mA max       |   |
| Power Dissipation   | 10                              |          | 10                              |          | 10                              |          | mW typ       |   |
|   |                                 | 25       |                                 | 25       |                                 | 25       | mW max       |   |

NOTE  
<sup>1</sup>Sample tested at 25°C to ensure compliance.  
 Specifications subject to change without notice.

**TERMINOLOGY**

$R_{ON}$  Ohmic resistance between terminals D and S  
 $R_{ON}$  Match Difference between the  $R_{ON}$  of any two channels  
 $R_{ON}$  Drift Change in  $R_{ON}$  versus temperature  
 $I_S$  (OFF) Source terminal leakage current when the switch is off  
 $I_D$  (OFF) Drain terminal leakage current when the switch is off  
 $I_D$  (ON) Leakage current that flows from the closed switch into the body  
 $V_S$  ( $V_D$ ) Analog voltage on terminal S or D  
 $C_S$  (OFF) Channel input capacitance for "OFF" condition  
 $C_D$  (OFF) Channel output capacitance for "OFF" condition

$C_{IN}$  Digital input capacitance  
 $t_{OFF} (EN)$  Delay time between the 50% and 10% points of the digital input and switch "OFF" condition  
 $t_{TRANSITION}$  Delay time between the 50% and 90% points of the digital inputs and switch "ON" condition when switching from one address state to another  
 $t_{OPEN}$  "OFF" time measured between 50% points of both switches when switching from one address state to another  
 $V_{INL}$  Maximum input voltage for Logic "0"  
 $V_{INH}$  Minimum input voltage for Logic "1"  
 $I_{INL}$  ( $I_{INH}$ ) Input current of the digital input  
 $V_{DD}$  Most positive voltage supply  
 $V_{SS}$  Most negative voltage supply  
 $I_{DD}$  Positive supply current  
 $I_{SS}$  Negative supply current

# ADG508A/ADG509A

## ABSOLUTE MAXIMUM RATINGS\*

(T<sub>A</sub> = 25°C unless otherwise noted)

V<sub>DD</sub> to V<sub>SS</sub> . . . . . 44V

V<sub>DD</sub> to GND . . . . . 25V

V<sub>SS</sub> to GND . . . . . -25V

### Analog Inputs<sup>1</sup>

Voltage at S, D . . . . . V<sub>SS</sub> -2V to  
V<sub>DD</sub> +2V or  
20mA, Whichever Occurs First

Continuous Current, S or D . . . . . 20mA

### Pulsed Current S or D

1ms Duration, 10% Duty Cycle . . . . . 40mA

### Digital Inputs<sup>1</sup>

Voltage at A, EN . . . . . V<sub>SS</sub> -4V to  
V<sub>DD</sub> +4V or  
20mA, Whichever Occurs First

### Power Dissipation (Any Package)

Up to +75°C . . . . . 470mW

Derates above +75°C by . . . . . 6mW/°C

### Operating Temperature

Commercial (K Version) . . . . . -40°C to +85°C

Industrial (B Version) . . . . . -40°C to +85°C

Extended (T Version) . . . . . -55°C to +125°C

### Storage Temperature Range . . . . . -65°C to +150°C

### NOTE

<sup>1</sup>Overvoltage at A, EN, S or D will be clamped by diodes. Current should be limited to the Maximum Rating above.

## TRUTH TABLES

| A2 | A1 | A0 | EN | ON SWITCH |
|----|----|----|----|-----------|
| X  | X  | X  | 0  | NONE      |
| 0  | 0  | 0  | 1  | 1         |
| 0  | 0  | 1  | 1  | 2         |
| 0  | 1  | 0  | 1  | 3         |
| 0  | 1  | 1  | 1  | 4         |
| 1  | 0  | 0  | 1  | 5         |
| 1  | 0  | 1  | 1  | 6         |
| 1  | 1  | 0  | 1  | 7         |
| 1  | 1  | 1  | 1  | 8         |

X = Don't Care

### ADG508A

| A1 | A0 | EN | ON SWITCH PAIR |
|----|----|----|----------------|
| X  | X  | 0  | NONE           |
| 0  | 0  | 1  | 1              |
| 0  | 1  | 1  | 2              |
| 1  | 0  | 1  | 3              |
| 1  | 1  | 1  | 4              |

X = Don't Care

### ADG509A

\*COMMENT: Stresses above those listed under "Absolute Maximum Ratings" may cause permanent damage to the device. This is a stress rating only and functional operation of the device at these or any other conditions above those indicated in the operational sections of this specification is not implied. Exposure to absolute maximum rating conditions for extended periods may affect device reliability.

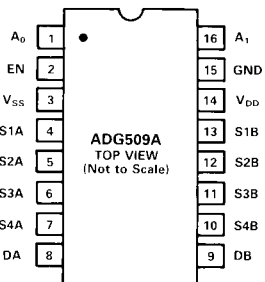
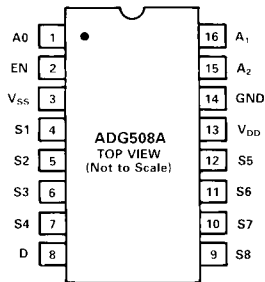
## CAUTION

ESD (electrostatic discharge) sensitive device. The digital control inputs are Zener protected; however, permanent damage may occur on unconnected devices subject to high energy electrostatic fields. Unused devices must be stored in conductive foam or shunts. The protective foam should be discharged to the destination socket before devices are removed.

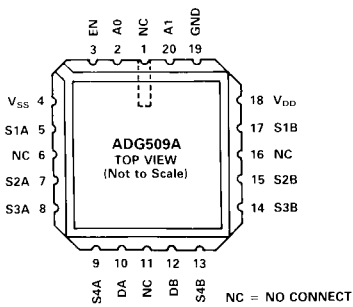
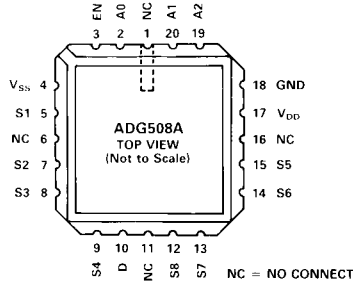


## PIN CONFIGURATIONS

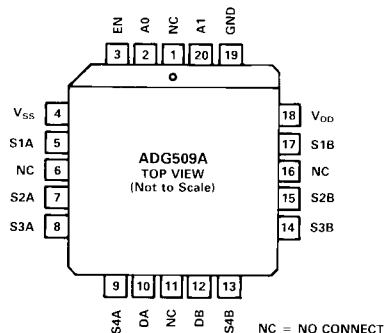
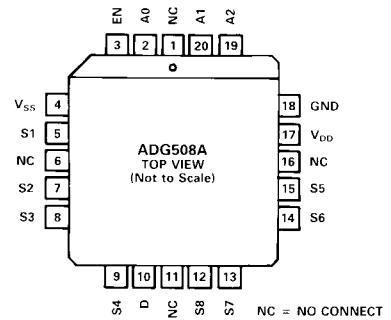
### DIP, SOIC



### LCCC

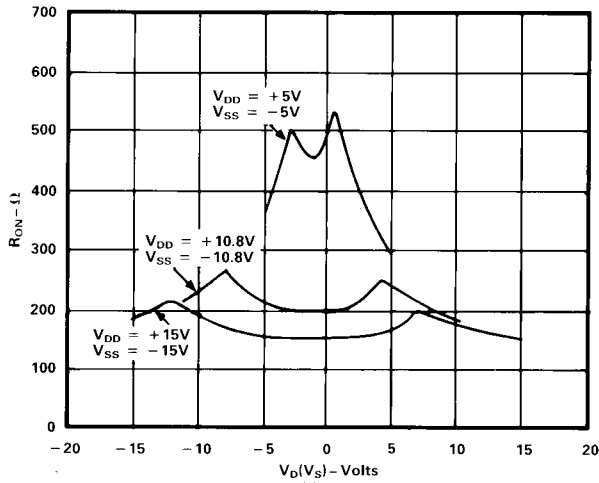


### PLCC

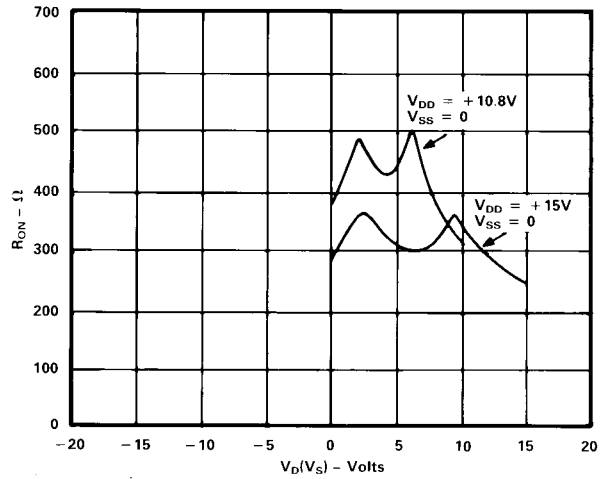


# Typical Performance Characteristics—ADG508A/ADG509A

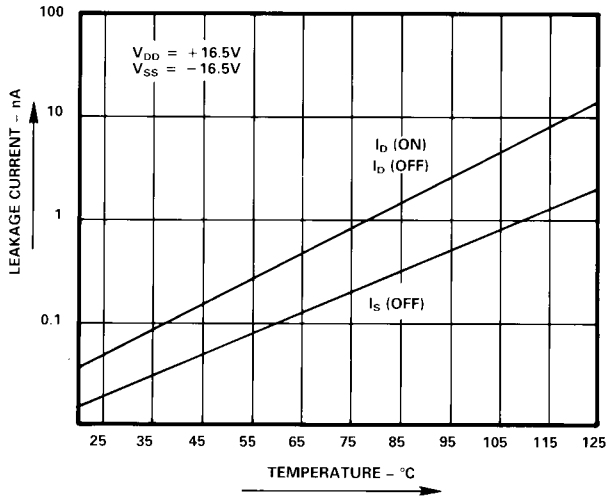
The multiplexers are guaranteed functional with reduced single or dual supplies down to 4.5V.



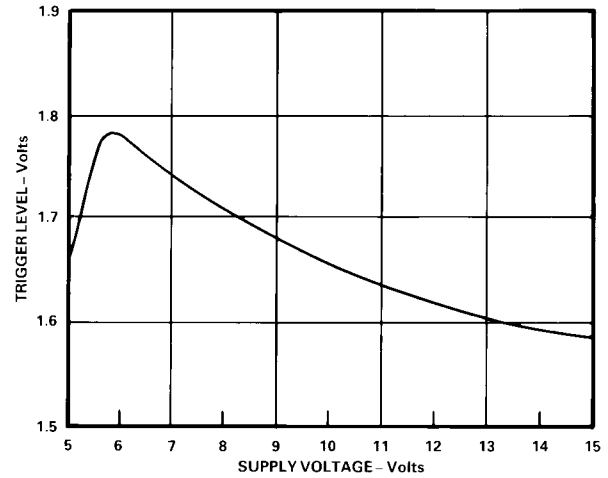
$R_{ON}$  as a Function of  $V_D(V_S)$ : Dual Supply Voltage,  $T_A = +25^\circ\text{C}$



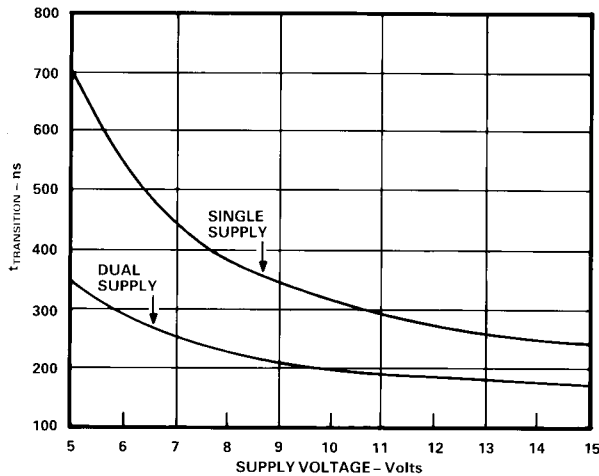
$R_{ON}$  as a Function of  $V_D(V_S)$ : Single Supply Voltage,  $T_A = +25^\circ\text{C}$



Leakage Current as a Function of Temperature  
(Note: Leakage Currents Reduce as the Supply Voltages Reduce)

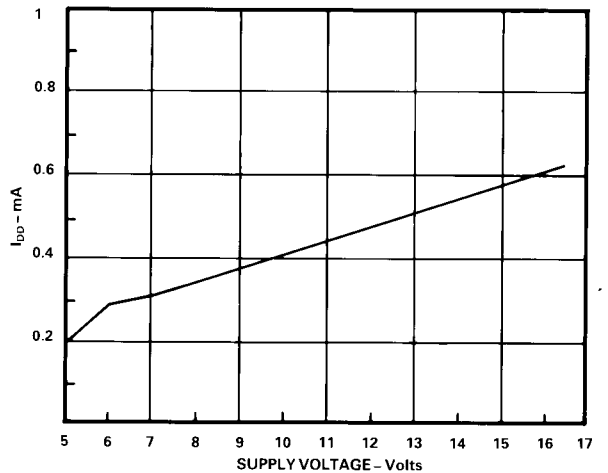


Trigger Levels vs. Power Supply Voltage, Dual or Single Supply,  $T_A = +25^\circ\text{C}$



$t_{TRANSITION}$  vs. Supply Voltage: Dual and Single Supplies,  $T_A = +25^\circ\text{C}$

(Note: For  $V_{DD}$  and  $|V_{SS}| < 10\text{V}$ ;  $V1 = V_{DD}/V_{SS}$ ,  $V2 = V_{SS}/V_{DD}$ . See Test Circuit 6)

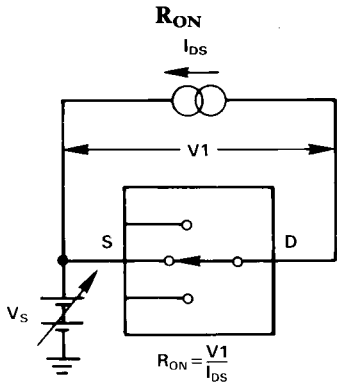


$I_{DD}$  vs. Supply Voltage: Dual or Single Supply,  $T_A = +25^\circ\text{C}$

# ADG508A/ADG509A — Test Circuits

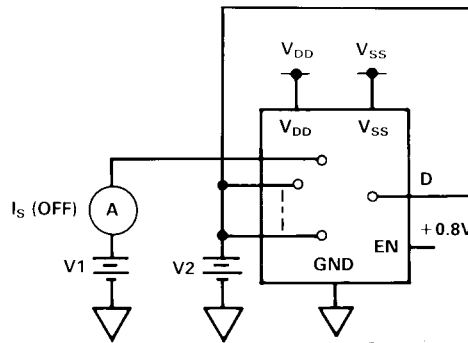
Note: All Digital Input Signal Rise and Fall Times Measured from 10% to 90% of 3V.  $t_R = t_F = 20\text{ns}$ .

**TEST CIRCUIT 1**



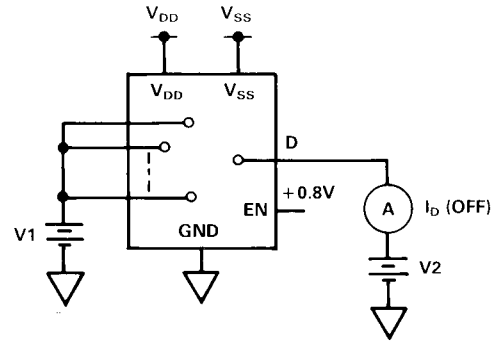
**TEST CIRCUIT 2**

$I_S(\text{OFF})$



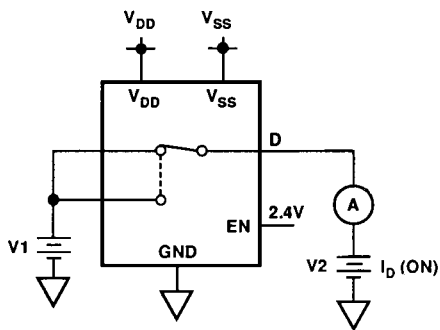
**TEST CIRCUIT 3**

$I_D(\text{OFF})$



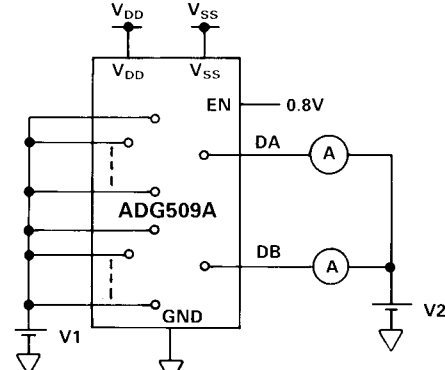
**TEST CIRCUIT 4**

$I_D(\text{ON})$



**TEST CIRCUIT 5**

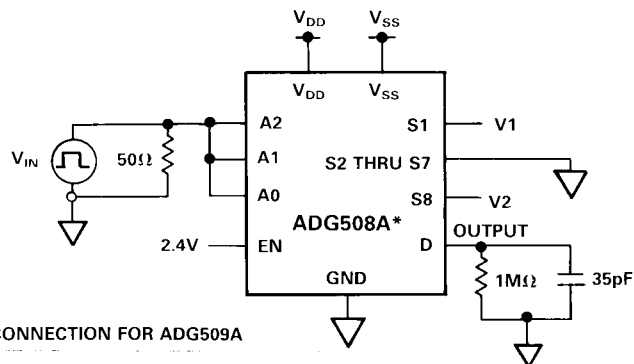
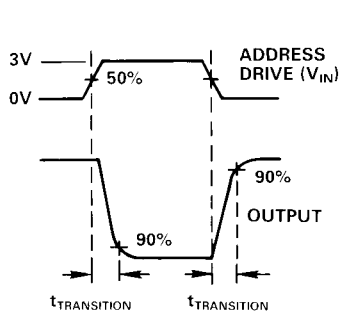
$I_{DIFF}$



$$I_{DIFF} = I_{DA(OFF)} - I_{DB(OFF)}$$

**TEST CIRCUIT 6**

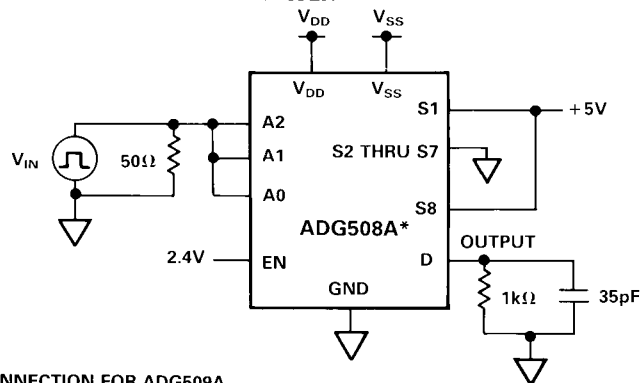
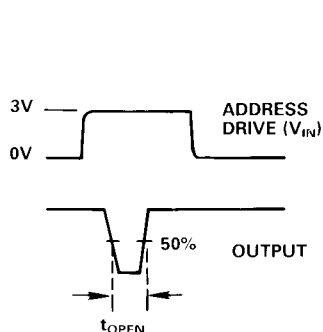
**SWITCHING TIME OF MULTIPLEXER,  $t_{TRANSITION}$**



\*SIMILAR CONNECTION FOR ADG509A

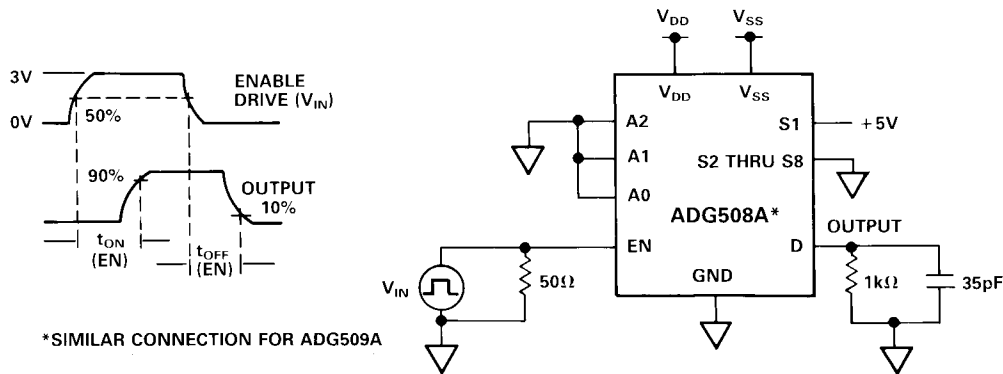
**TEST CIRCUIT 7**

**BREAK-BEFORE-MAKE DELAY,  $t_{OPEN}$**

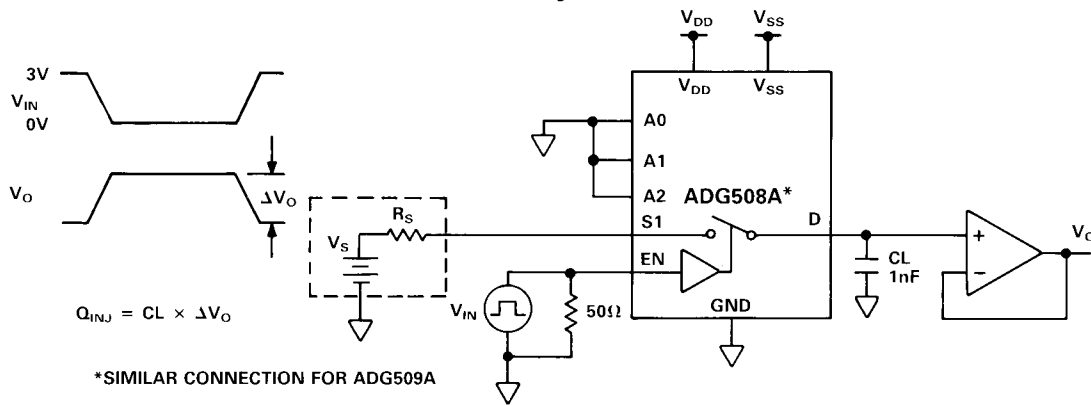


\*SIMILAR CONNECTION FOR ADG509A

## TEST CIRCUIT 8 ENABLE DELAY, $t_{ON}(EN)$ , $t_{OFF}(EN)$



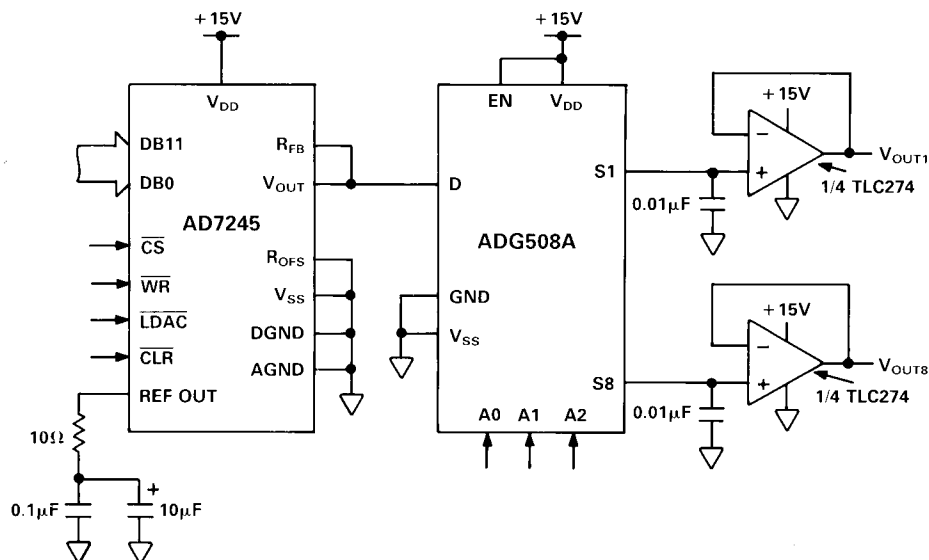
## TEST CIRCUIT 9 CHARGE INJECTION



### SINGLE SUPPLY OCTAL DAC APPLICATION

The following circuit shows the ADG508A connected as a demultiplexer to provide eight separate digitally programmable voltages (0 to +10V) from the AD7245. The AD7245 is a complete 12-bit, voltage output DAC with output amplifier and Zener

voltage reference on a monolithic CMOS chip. The entire system operates from a single +15V power supply. The ADG508A is ideally suited for the application because it has both low charge injection and  $I_S$  (OFF) leakage current.



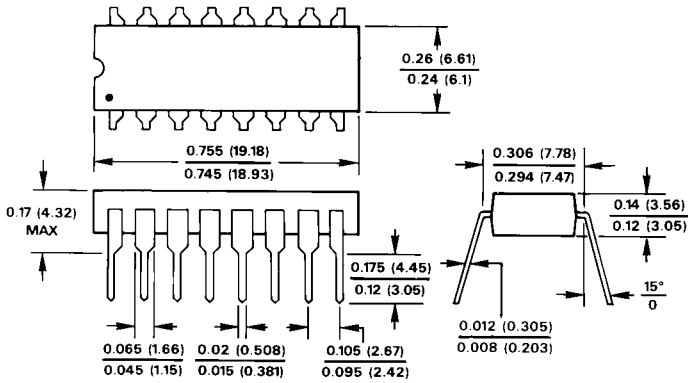
ADG508A in a Single-Supply Octal DAC Circuit

# ADG508A/ADG509A

## MECHANICAL INFORMATION OUTLINE DIMENSIONS

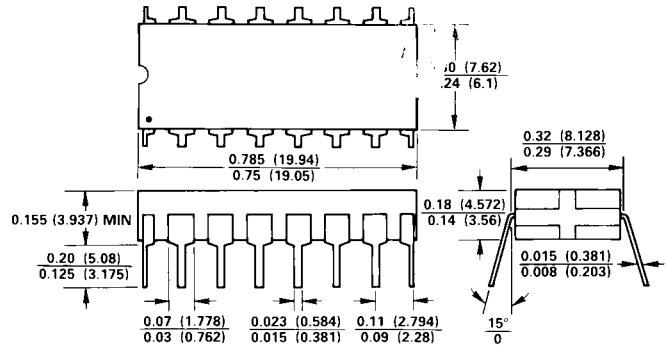
Dimensions shown in inches and (mm).

### 16-Pin Plastic (N-16)



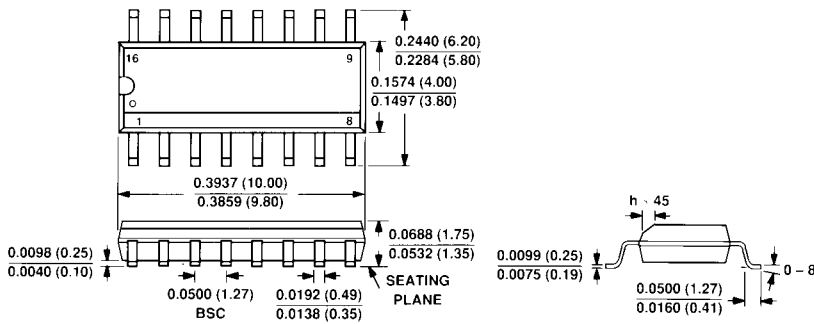
LEAD NO. 1 IDENTIFIED BY DOT OR NOTCH  
LEADS ARE SOLDER OR TIN-PLATED KOVAR OR ALLOY 42

### 16-Pin Cerdip (Q-16)

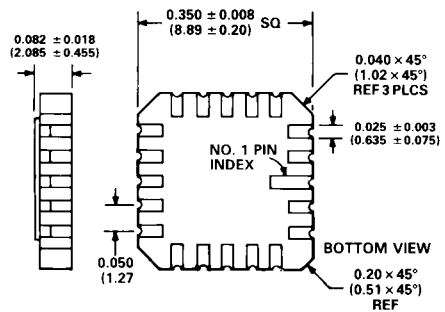


NOTES:  
LEAD NO. 1 IDENTIFIED BY DOT OR NOTCH.  
LEADS ARE SOLDER OF TIN-PLATED KOVAR OR ALLOY 42

### 16-Lead Narrow Body SOIC (R-16A)



### 20-Terminal Leadless Ceramic Chip Carrier (E-20A)



### 20-Terminal Plastic Leaded Chip Carrier (P-20A)

