



5V RS232 Transceiver with 3V Logic Interface and One Receiver Active in SHUTDOWN

FEATURES

- 3V Logic Interface
- ESD Protection over $\pm 10\text{kV}$
- Uses Small Capacitors: $0.1\mu\text{F}$, $0.2\mu\text{F}$, $1.0\mu\text{F}$
- One Low Power Receiver Remains Active While in SHUTDOWN
- Pin Compatible with LT1137A and LT1237
- 120kbaud Operation for $R_L = 3\text{k}$, $C_L = 2500\text{pF}$
- 250kbaud Operation for $R_L = 3\text{k}$, $C_L = 1000\text{pF}$
- CMOS Comparable Low Power: 30mW
- Easy PC Layout – Flowthrough Architecture
- Rugged Bipolar Design
- Outputs Assume a High Impedance State When Off or Powered Down
- Absolutely No Latchup
- $60\mu\text{A}$ Supply Current in SHUTDOWN
- Available in SO and SSOP Packages

APPLICATIONS

- Notebook Computers
- Palmtop Computers

DESCRIPTION

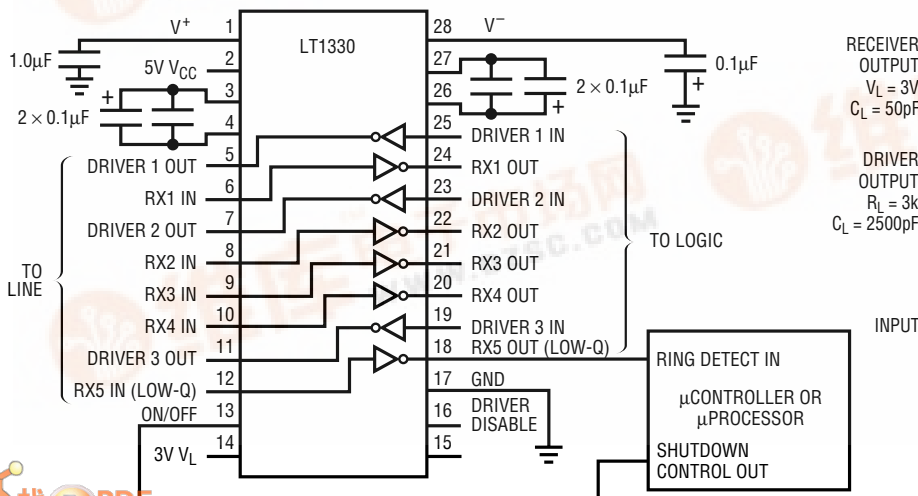
The LT1330 is a three driver, five receiver RS232 transceiver with low supply current. Designed to interface with new 3V logic, the LT1330 operates with both a 5V power supply and a 3V logic power supply. The chip may be shut down to micropower operation with one receiver remaining active to monitor RS232 inputs such as ring detect from a modem.

The LT1330 is fully compliant with all EIA RS232 specifications. Additionally, the RS232 line input and output pins are resilient to multiple $\pm 10\text{kV}$ ESD strikes. This eliminates the need for costly TransZorbs[®] on line pins for the RS232 part.

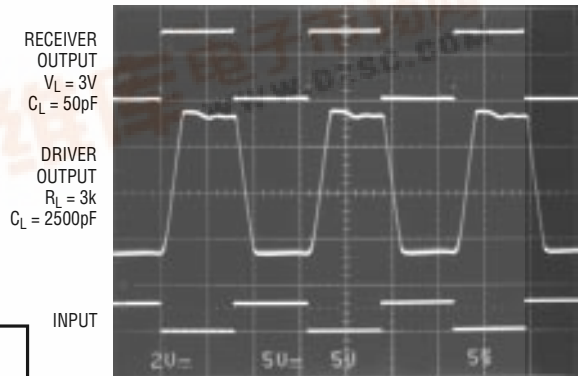
The LT1330 operates to 120k baud even driving high capacitive loads. During SHUTDOWN, driver and receiver outputs are at a high impedance state allowing devices to be paralleled.

TransZorb is a registered trademark of General Instruments, GSI

TYPICAL APPLICATION



Output Waveforms



1330 TA02

1330 TA01



LT1330

ABSOLUTE MAXIMUM RATINGS

(Note 1)

Supply Voltage (V_{CC})	6V
Supply Voltage (V_L)	6V
V^+	13.2V
V^-	-13.2V
Input Voltage	
Driver	V^- to V^+
Receiver	-30V to 30V
Output Voltage	
Driver	-30V to 30V
Receiver	-0.3V to $V_L + 0.3V$
Short Circuit Duration	
V^+	30 sec
V^-	30 sec
Driver Output	Indefinite
Receiver Output	Indefinite
Operating Temperature Range	
LT1330I	-40°C to 85°C
LT1330C	0°C to 70°C
Storage Temperature Range	-65°C to 150°C
Lead Temperature (Soldering, 10 sec)	300°C

PACKAGE/ORDER INFORMATION

TOP VIEW

J PACKAGE **N PACKAGE**
 28-LEAD CERAMIC DIP 28-LEAD PLASTIC DIP

S PACKAGE **G PACKAGE**
 28-LEAD SOL 28-LEAD SSOP

$T_{JMAX} = 150^{\circ}C, \theta_{JA} = 62^{\circ}C/W$ (J)
 $T_{JMAX} = 150^{\circ}C, \theta_{JA} = 56^{\circ}C/W$ (N)
 $T_{JMAX} = 150^{\circ}C, \theta_{JA} = 85^{\circ}C/W$ (S)
 $T_{JMAX} = 150^{\circ}C, \theta_{JA} = 96^{\circ}C/W$ (G)

ORDER PART NUMBER

LT1330IJ
 LT1330CJ
 LT1330CN
 LT1330CS
 LT1330CG

Consult factory for Military grade parts.

ELECTRICAL CHARACTERISTICS (Note 2)

PARAMETER	CONDITIONS	MIN	TYP	MAX	UNITS
Power Supply Generator					
V^+ Output			7.9		V
V^- Output			-7		V
Supply Current (V_{CC})	$T_A = 25^{\circ}C$ (Note 3)	●	6	12	mA
Supply Current (V_L)	(Note 4)		6	14	mA
Supply Current When OFF (V_{CC})	SHUTDOWN (Note 5) DRIVER DISABLE	●	0.06	0.15	mA
Supply Rise Time SHUTDOWN to Turn-On	$C1 = C2 = 0.2\mu F$, $C^+ = 1.0\mu F, C^- = 0.1\mu F$		3.00		ms
ON/OFF Pin Thresholds	Input Low Level (Device SHUTDOWN) Input High Level (Device Enabled)	●	0.8	1.4	V
ON/OFF Pin Current	$0V \leq V_{ON/OFF} \leq 5V$	●	1.4	2.4	V
Driver Disable Pin Thresholds	Input Low Level (Drivers Enabled) Input High Level (Drivers Disabled)	●	-15	80	μA
Driver Disable Pin Current	$0V \leq V_{DRIVER\ DISABLE} \leq 5V$	●	0.8	1.4	V
Oscillator Frequency	Driver Outputs Loaded $R_L = 3k$		130		kHz

ELECTRICAL CHARACTERISTICS (Note 2)

PARAMETER	CONDITIONS	MIN	TYP	MAX	UNITS	
Any Driver						
Output Voltage Swing	Load = 3k to GND	Positive	● 5.0	7.5	V	
		Negative	●	-6.3	-5.0	V
Logic Input Voltage Level	Input Low Level ($V_{OUT} = \text{High}$)	●	1.4	0.8	V	
	Input High Level ($V_{OUT} = \text{Low}$)	●	2.0	1.4	V	
Logic Input Current	$0.8V \leq V_{IN} \leq 2V$	●	5	20	μA	
Output Short-Circuit Current	$V_{OUT} = 0V$		± 9	17	mA	
Output Leakage Current	SHUTDOWN $V_{OUT} = \pm 30V$ (Note 5)	●	10	100	μA	
Data Rate	$R_L = 3k, C_L = 2500pF$		120		kBaud	
	$R_L = 3k, C_L = 1000pF$		250		kBaud	
Slew Rate	$R_L = 3k, C_L = 51pF$		15	30	V/ μs	
	$R_L = 3k, C_L = 2500pF$	4	15		V/ μs	
Propagation Delay	Output Transition t_{HL} High to Low (Note 6)		0.6	1.3	μs	
	Output Transition t_{LH} Low to High		0.5	1.3	μs	
Any Receiver						
Input Voltage Thresholds	Input Low Threshold ($V_{OUT} = \text{High}$)		0.8	1.3	V	
	Input High Threshold ($V_{OUT} = \text{Low}$)			1.7	2.4	V
Hysteresis		●	0.1	0.4	1.0	V
Input Resistance	$V_{IN} = \pm 10V$		3	5	7	k Ω
Output Leakage Current	SHUTDOWN (Note 5) $0 \leq V_{OUT} \leq V_{CC}$	●	1	10	μA	
Receivers 1, 2, 3, 4						
Output Voltage	Output Low, $I_{OUT} = -1.6\text{mA}$	●	0.2	0.4	V	
	Output High, $I_{OUT} = 160\mu\text{A}$ ($V_L = 3V$)	●	2.7	2.9	V	
Output Short-Circuit Current	Sinking Current, $V_{OUT} = V_{CC}$		-10	-20	mA	
	Sourcing Current, $V_{OUT} = 0V$		10	20	mA	
Propagation Delay	Output Transition t_{HL} High to Low (Note 7)		250	600	ns	
	Output Transition t_{LH} Low to High		350	600	ns	
Receiver 5 (LOW Q-CURRENT RX)						
Output Voltage	Output Low, $I_{OUT} = -500\mu\text{A}$	●	0.2	0.4	V	
	Output High, $I_{OUT} = 160\mu\text{A}$ ($V_L = 3V$)	●	2.7	2.9	V	
Output Short-Circuit Current	Sinking Current, $V_{OUT} = V_{CC}$		-2	-4	mA	
	Sourcing Current, $V_{OUT} = 0V$		2	4	mA	
Propagation Delay	Output Transition t_{HL} High to Low (Note 7)		1	3	μs	
	Output Transition t_{LH} Low to High		1	3	μs	

The ● denotes specifications which apply over the operating temperature range ($0^\circ\text{C} \leq T_A \leq 70^\circ\text{C}$ for commercial grade, and $-40^\circ\text{C} \leq T_A \leq 85^\circ\text{C}$ for industrial grade).

Note 1: Absolute Maximum Ratings are those values beyond which the life of the device may be impaired.

Note 2: Testing done at $V_{CC} = 5V$ and $V_{ON/OFF} = 3V$.

Note 3: Supply current is measured as the average over several charge pump burst cycles. $C^+ = 1.0\mu\text{F}$, $C^- = 0.1\mu\text{F}$, $C1 = C2 = 0.2\mu\text{F}$. All outputs are open, with all driver inputs tied high.

Note 4: V_L supply current is measured with all receiver outputs low.

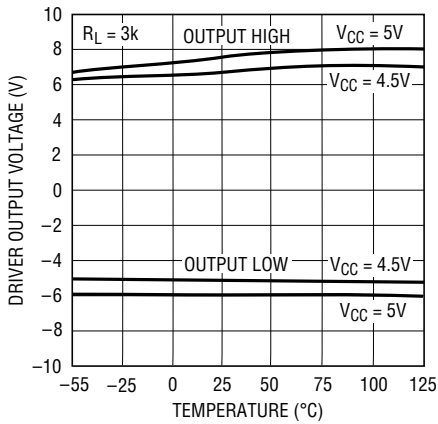
Note 5: Measurements in SHUTDOWN are performed with $V_{ON/OFF} \leq 0.1V$. Supply current measurements using DRIVER DISABLE are performed with $V_{DRIVER\ DISABLE} \geq 3V$.

Note 6: For driver delay measurements, $R_L = 3k$ and $C_L = 51pF$. Trigger points are set between the driver's input logic threshold and the output transition to the zero crossing ($t_{HL} = 1.4V$ to $0V$ and $t_{LH} = 1.4V$ to $0V$).

Note 7: For receiver delay measurements, $C_L = 51pF$. Trigger points are set between the receiver's input logic threshold and the output transition to standard TTL/CMOS logic threshold ($t_{HL} = 1.3V$ to $2.4V$ and $t_{LH} = 1.7V$ to $0.8V$).

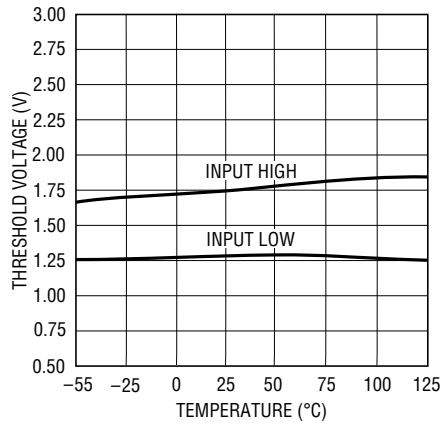
TYPICAL PERFORMANCE CHARACTERISTICS

Driver Output Voltage



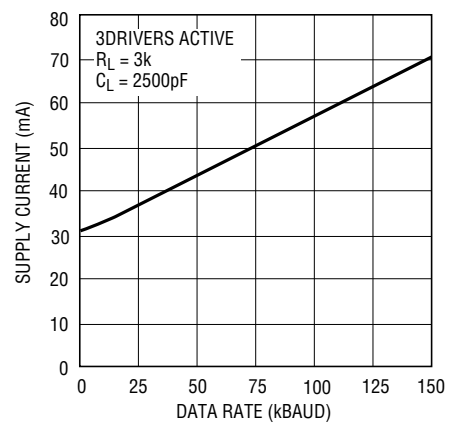
1330 G01

Receiver Input Thresholds



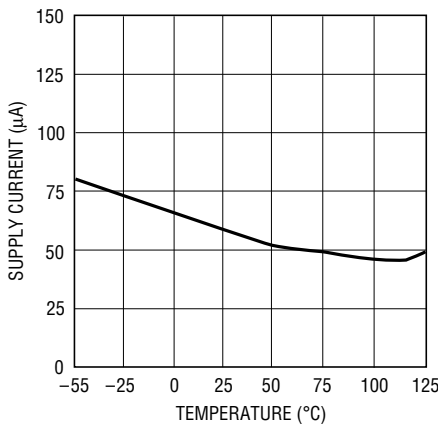
1330 G02

Supply Current vs Data Rate



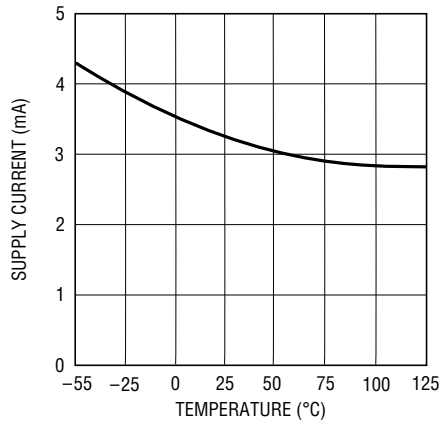
1330 G03

V_{CC} Supply Current in SHUTDOWN



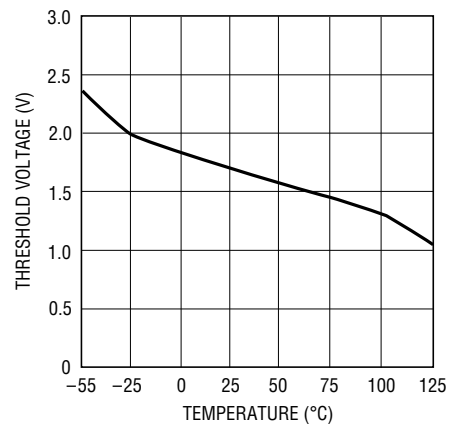
1330 G04

V_{CC} Supply Current in DRIVER DISABLE



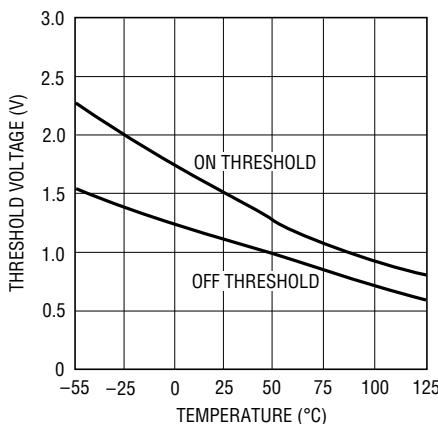
1330 G05

Driver Disable Threshold



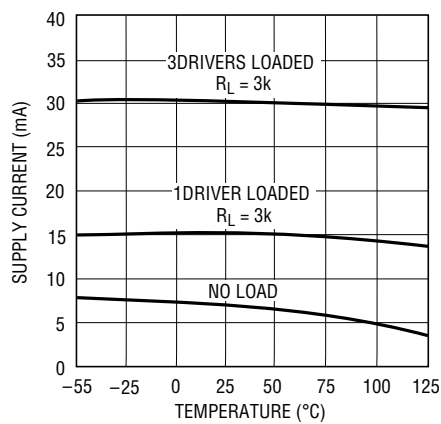
1330 G06

On/Off Thresholds



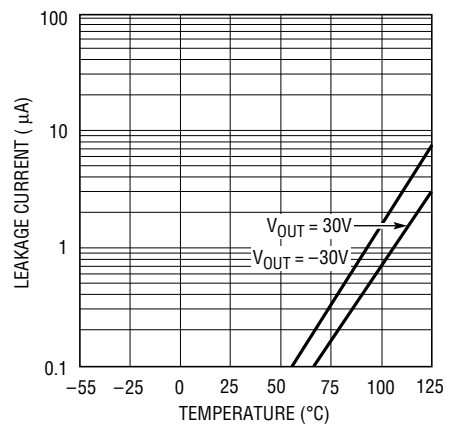
1330 G07

V_{CC} Supply Current



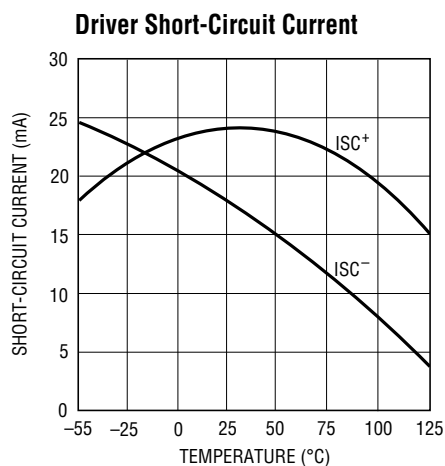
1330 G08

Driver Leakage in SHUTDOWN

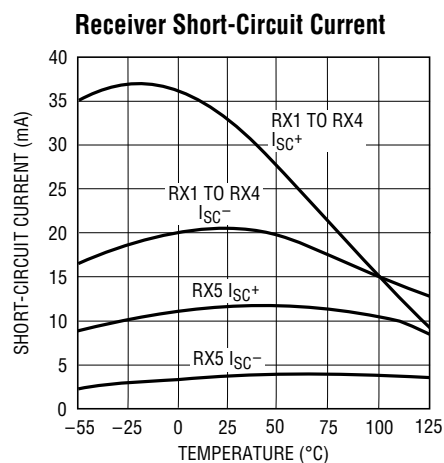


1330 G09

TYPICAL PERFORMANCE CHARACTERISTICS

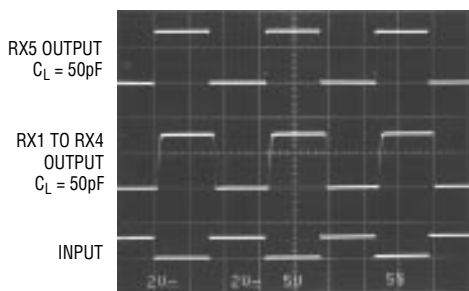


1330 G10



1330 G11

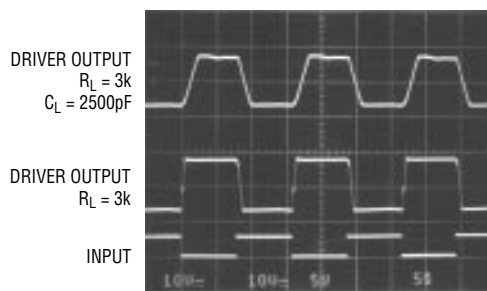
Receiver Output Waveforms



$V_L = 3\text{V}$

1330 G12

Driver Output Waveforms



1330 G13

PIN FUNCTIONS

V_{CC}: 5V Input Supply Pin. This pin should be decoupled with a 0.1μF ceramic capacitor close to the package pin. Insufficient supply bypassing can result in low output drive levels and erratic charge pump operation.

V_L: 3V Logic Supply Pin for all RS232 Receivers. Like V_{CC}, the V_L input should be decoupled with a 0.1μF ceramic capacitor. This pin may also be connected to 5V.

GND: Ground Pin.

ON/OFF: TTL/CMOS Compatible Operating Mode Control. A logic low puts the device in the low power SHUTDOWN mode. All three drivers and four receivers (RX1, RX2, RX3, and RX4) assume a high impedance output state in SHUTDOWN. Only receiver RX5 remains active while the transceiver is in SHUTDOWN. The transceiver consumes only

60μA of supply current while in SHUTDOWN. A logic high fully enables the transceiver.

DRIVER DISABLE: This pin provides an alternate control for the charge pump and RS232 drivers. A logic high on this pin shuts down the charge pump and places all driver outputs in a high impedance state. All five receivers remain active under these conditions. Floating the driver disable pin or driving it to a logic low level fully enables the transceiver. A logic low on the On/Off pin supersedes the state of the Driver Disable pin. Supply current drops to 3mA when in DRIVER DISABLE mode.

V⁺: Positive Supply Output. $V^+ \approx 2V_{CC} - 1.5\text{V}$. This pin requires an external charge storage capacitor, $C \geq 1.0\mu\text{F}$, tied to ground or 5V. Larger value capacitors may be used

LT1330

PIN FUNCTIONS

to reduce supply ripple. The ratio of the capacitors on V^+ and V^- should be greater than 5 to 1.

V^- : Negative Supply Output. $V^- \approx -(2V_{CC} - 2.5V)$. This pin requires an external charge storage capacitor, $C \geq 0.1\mu F$. See the Applications Information section for guidance in choosing filter capacitors for V^+ and V^- .

$C1^+$, $C1^-$, $C2^+$, $C2^-$: Commutating Capacitor Inputs require two external capacitors, $C \geq 0.2\mu F$: one from $C1^+$ to $C1^-$, and another from $C2^+$ to $C2^-$. The capacitor's effective series resistance should be less than 2Ω . For $C \geq 1\mu F$, low ESR tantalum capacitors work well, although ceramic capacitors may be used with a minimal reduction in charge pump compliance.

DRIVER IN: RS232 Driver Input Pins. These inputs are TTL/CMOS compatible. Unused inputs should be connected to V_{CC} .

DRIVER OUT: Driver Outputs at RS232 Voltage Levels. Driver output swing meets RS232 levels for loads up to 3k. Slew rates are controlled for lightly loaded lines. Output current capability is sufficient for load conditions up to 2500pF. Outputs are in a high impedance state when in SHUTDOWN mode, $V_{CC} = 0V$, or when the driver disable pin is active. Outputs are fully short-circuit protected from $V^- + 30V$ to $V^+ - 30V$. Applying higher voltages will not damage the device if the overdrive is moderately current

limited. Short circuits on one output can load the power supply generator and may disrupt the signal levels of the other outputs. The driver outputs are protected against ESD to $\pm 10kV$ for human body model discharges.

RX IN: Receiver Inputs. These pins accept RS232 level signals ($\pm 30V$) into a protected 5k terminating resistor. The receiver inputs are protected against ESD to $\pm 10kV$ for human body model discharges. Each receiver provides 0.4V of hysteresis for noise immunity. Open receiver inputs assume a logic low state.

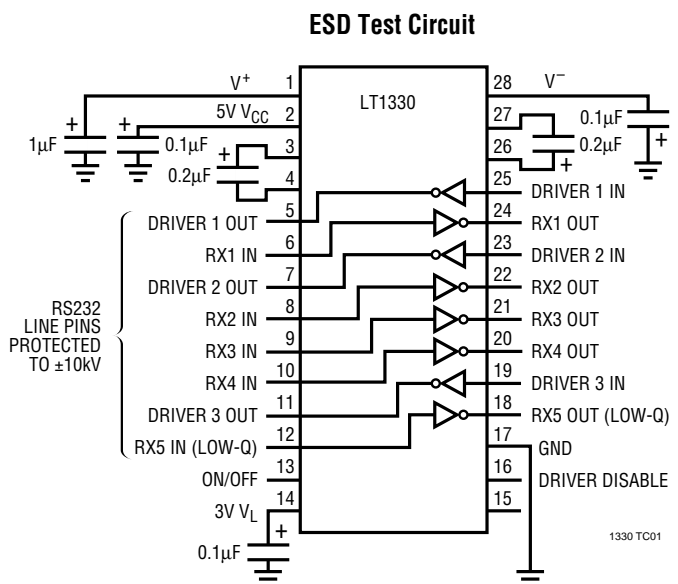
RX OUT: Receiver Outputs with TTL/CMOS Voltage Levels. Outputs are in a high impedance state when in SHUTDOWN mode to allow data line sharing. Outputs, including LOW-Q RX OUT, are fully short-circuit protected to ground or V_{CC} with the power on, off, or in SHUTDOWN mode.

LOW Q-CURRENT RX IN: Low Power Receiver Input. This special receiver remains active when the part is in SHUTDOWN mode, consuming typically $60\mu A$. This receiver has the same 5k input impedance and $\pm 10kV$ ESD protection characteristics as the other receivers.

LOW Q-CURRENT RX OUT: Low Power Receiver Output. This pin produces the same TTL/CMOS output voltage levels as receivers RX1, RX2, RX3, and RX4 with slightly decreased speed and short-circuit current. Data rates to 120k baud are supported by this receiver.

ESD PROTECTION

The RS232 line inputs of the LT1330 have on-chip protection from ESD transients up to $\pm 10kV$. The protection structures act to divert the static discharge safely to system ground. In order for the ESD protection to function effectively, the power supply and ground pins of the LT1330 must be connected to ground through low impedances. The power supply decoupling capacitors and charge pump storage capacitors provide this low impedance in normal application of the circuit. The only constraint is that low ESR capacitors must be used for bypassing and charge storage. ESD testing must be done with pins V_{CC} , V_L , V^+ , V^- , and GND shorted to ground or connected with low ESR capacitors.



APPLICATIONS INFORMATION

Storage Capacitor Selection

The V^+ and V^- storage capacitors must be chosen carefully to insure low ripple and stable operation. The LT1330 charge pump operates in a power efficient Burst Mode™. When storage capacitor voltage drops below a preset threshold, the oscillator is gated on until V^+ and V^- are boosted up to levels exceeding a second threshold. The oscillator then turns off, and current is supplied from the V^+ and V^- storage capacitors.

The V^- potential is monitored to control charge pump operation. It is therefore important to insure lower V^+ ripple than V^- ripple, or erratic operation of the charge pump will result. Proper operation is insured in most applications by choosing the V^+ filter capacitor to be at least 5 times the V^- filter capacitor value. If V^+ is more heavily loaded than V^- , a larger ratio may be needed.

The V^- filter capacitor should be selected to obtain low ripple when the drivers are loaded, forcing the charge pump into continuous mode. A minimum value 0.1 μ F is suggested.

Do not attempt to reduce V^- ripple when the charge pump is in discontinuous Burst Mode™ operation. The ripple in this mode is determined by internal comparator thresholds. Larger storage capacitor values increase the burst period, and do not reduce ripple amplitude.

Power Saving Operational Modes

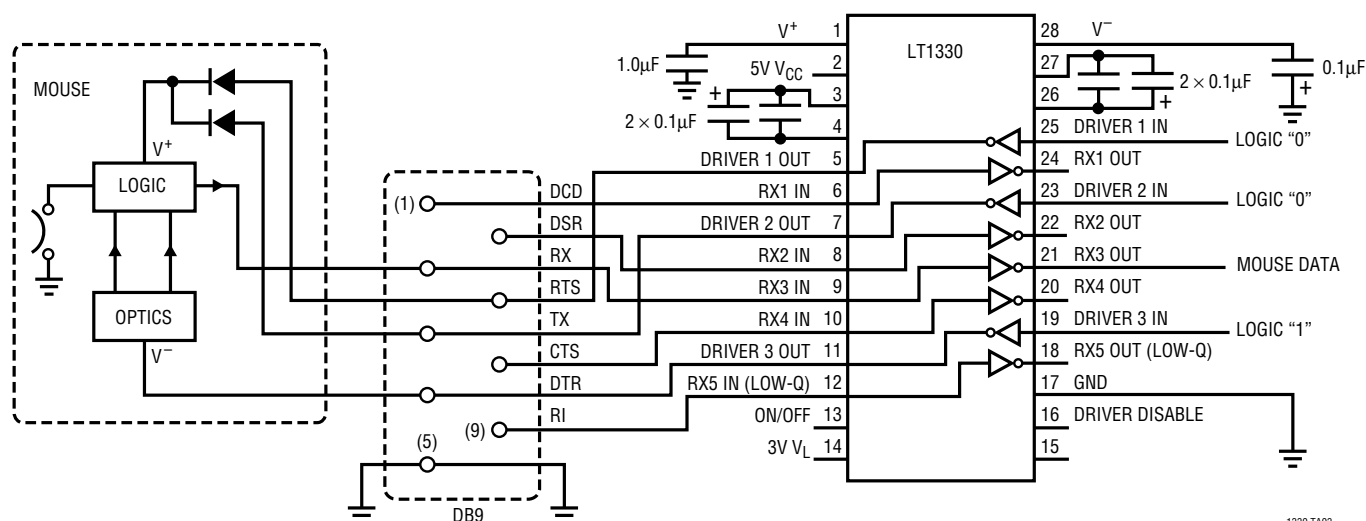
The LT1330 has both SHUTDOWN and DRIVER DISABLE operating modes. These operating modes can optimize power consumption based upon applications needs.

The On/Off shutdown control turns off all circuitry except for Low-Q RX5. When RX5 detects a signal, this information can be used to wake up the system for full operation.

If more than one line must be monitored, the DRIVER DISABLE mode provides a power efficient operating option. The DRIVER DISABLE mode turns off the charge pump and RS232 drivers, but keeps all five receivers active. Power consumption in DRIVER DISABLE mode is 3mA from V_{CC} .

Burst Mode is a trademark of Linear Technology Corporation

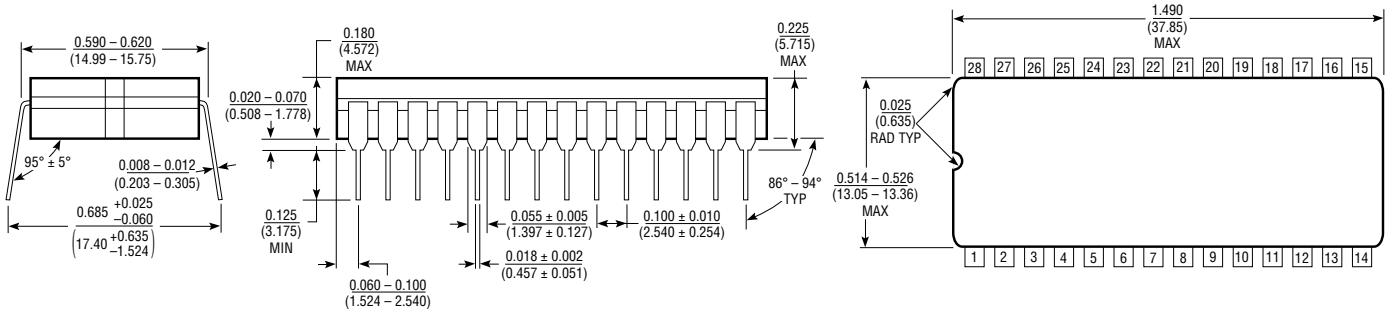
Typical Mouse Driving Application



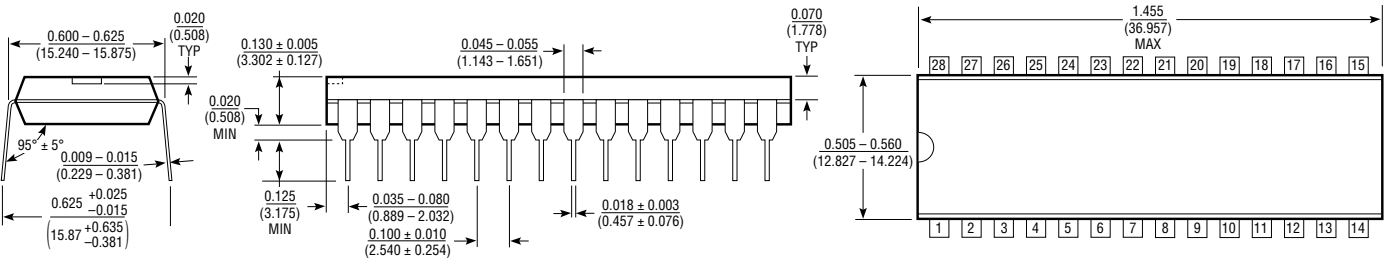
LT1330

PACKAGE DESCRIPTION Dimensions in inches (millimeters) unless otherwise noted.

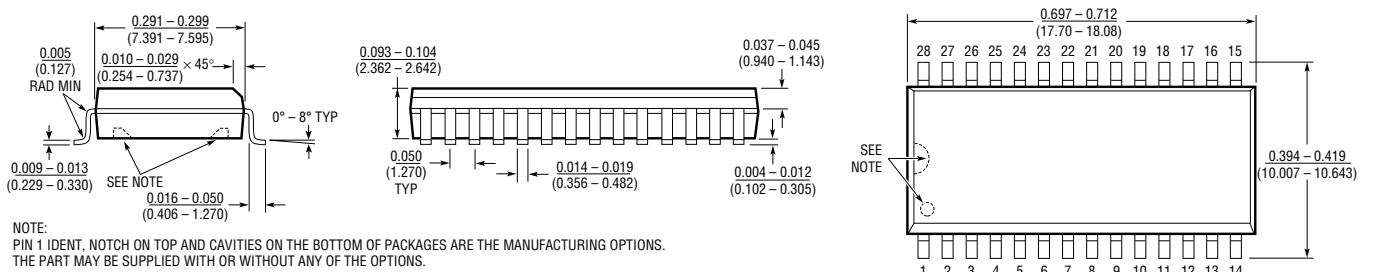
J Package 28-Lead Ceramic DIP



N Package 28-Lead Plastic DIP



S Package 28-Lead SOL



G Package 28-Lead SSOP

