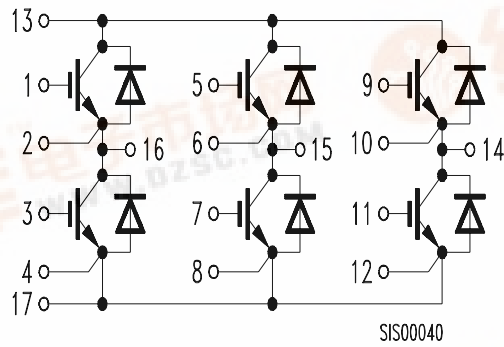


# SIEMENS

## BSM 20 GD 60DN2E3224

### Circuit Diagram



### Package Outlines

Dimensions in mm

Weight: 180 g

