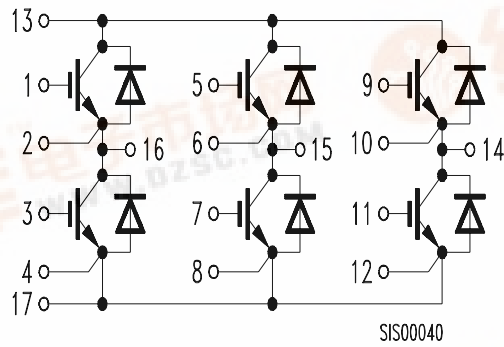


SIEMENS

BSM 30 GD 60DN2E3224

Circuit Diagram



Package Outlines

Dimensions in mm

Weight: 180 g

