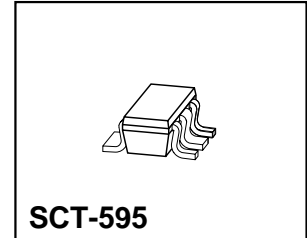


Short Description

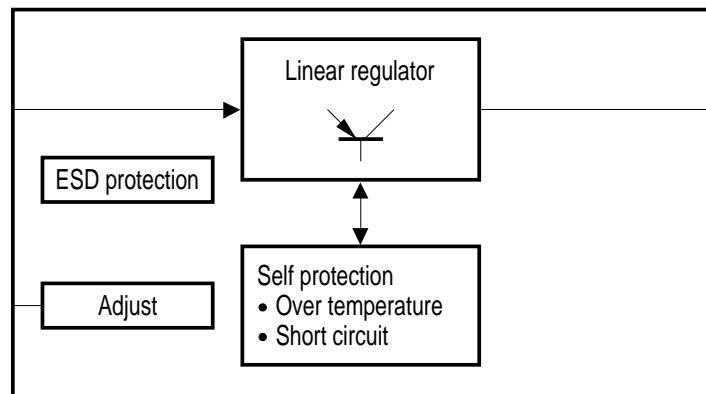
TLE 4250

Features

- Very low-drop voltage tracker
- Adjust input
- Wide operating range
- Wide temperature range
- Short-circuit protection
- Over temperature protection



Block Diagram



AEB02558

Type	Ordering Code	Package
▼ TLE 4250 G	Q67006-A9351	SCT-595

■ SMD = Surface Mounted Device

▼ New type

Operating Range

Parameter	Symbol	Limit Values	Unit
Supply voltage	V_S	45	V
Output current	I_Q	50	mA

Absolute Maximum Ratings

Parameter	Symbol	Limit Values	Unit
Supply voltage	V_S	- 0.3 to 45	V
Output current	I_Q	0.10	A
Junction temperature	T_j	- 40 to 150	°C

Electrical Characteristics

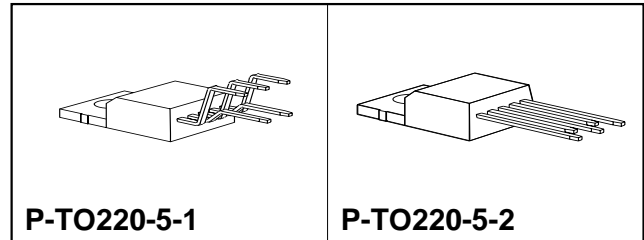
Parameter	Symbol	Limit Values			Unit	Remarks
		min.	typ.	max.		
Output voltage tracking	ΔV_Q	- 25	-	+ 25	mV	-
Accuracy	-	- 5	-	+ 5	mV	-
Drop voltage	V_{Dr}	-	0.2	0.6	V	$I_Q = 20 \text{ mA}$
Quiescent current	I_q	-	55	100	μA	$I_Q = 1 \text{ mA}$
Quiescent current (OFF mode)	I_q	-	0	1	μA	-

Short Description

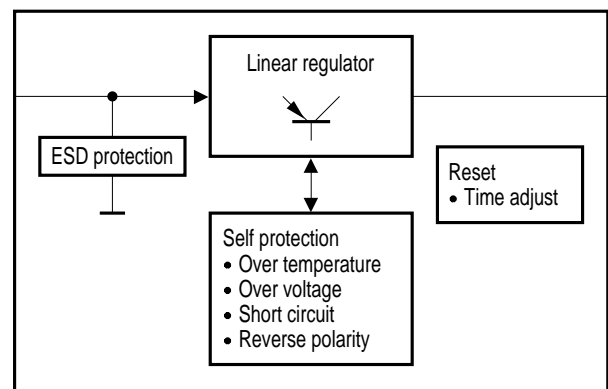
TLE 4260

Features

- Low-drop voltage regulator
- Adjustable reset time
- Reverse polarity proof
- Excellent behavior
- Wide operating range
- Wide temperature range
- Short-circuit protection
- Over temperature protection
- Over voltage protection
- ESD protection > 4000 V



Block Diagram



AEB02100

Type	Ordering Code	Package
▼ TLE 4260	Q67000-A8187	P-TO220-5-1
▼ TLE 4260 S	Q67000-A9044	P-TO220-5-2

▼ Not for new design, see TLE 4270

Operating Range

Parameter	Symbol	Limit Values	Unit
Supply voltage	V_S	40	V
Output current	I_Q	500	mA

Absolute Maximum Ratings

Parameter	Symbol	Limit Values	Unit
Supply voltage	V_S	- 42 to 65	V
Output current	I_Q	1.4	A
Junction temperature	T_j	- 40 to 150	°C

Electrical Characteristics

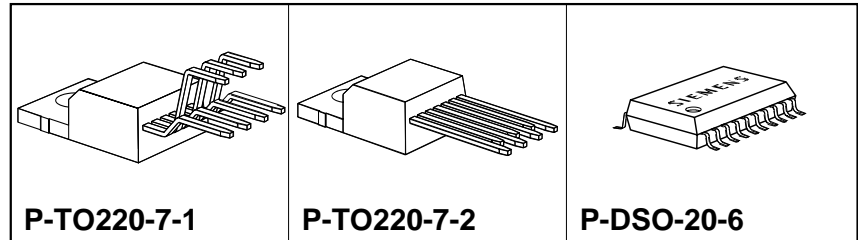
Parameter	Symbol	Limit Values			Unit	Remarks
		min.	typ.	max.		
Output voltage	V_Q	4.75	5.00	5.25	V	-
Accuracy	-	- 5	-	5	%	-
Drop voltage	V_{Dr}	-	0.2	0.5	V	$I_Q = 0.5$ A
Quiescent current	I_q	-	500	700	μA	$I_Q = 1$ mA

Short Description

TLE 4261

Features

- Low-drop voltage regulator
- Wide operating range
- Wide temperature range
- Short-circuit protection
- Over temperature protection
- Over voltage protection
- Adjustable reset time
- Reverse polarity proof
- Inhibit input
- Watchdog circuit
- Reset function down to 1 V (output voltage)

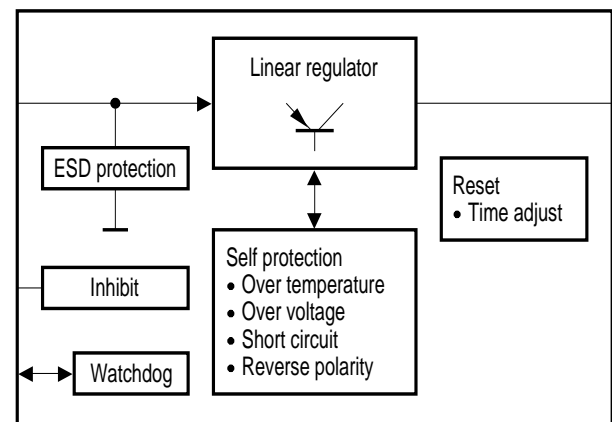


Type	Ordering Code	Package
▼ TLE 4261	Q67000-A9003	P-TO220-7-1
▼ TLE 4261 G	Q67006-A9059	P-DSO-20-6
▼ TLE 4261 S	Q67000-A9109	P-TO220-7-2

■ SMD = Surface Mounted Device

▼ Not for new design, see TLE 4271

Block Diagram



AEB02101

Operating Range

Parameter	Symbol	Limit Values	Unit
Supply voltage	V_S	40	V
Output current	I_Q	500	mA

Absolute Maximum Ratings

Parameter	Symbol	Limit Values	Unit
Supply voltage	V_S	- 42 to 65	V
Output current	I_Q	1.6	A
Junction temperature	T_j	- 40 to 150	°C

Electrical Characteristics

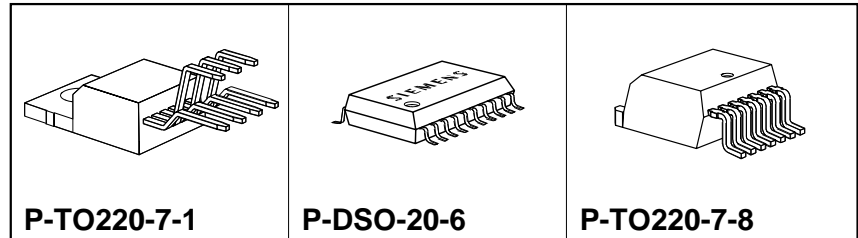
Parameter	Symbol	Limit Values			Unit	Remarks
		min.	typ.	max.		
Output voltage	V_Q	4.75	5.00	5.25	V	-
Accuracy	-	- 5	-	+ 5	%	-
Drop voltage	V_{Dr}	-	0.35	0.5	V	$I_Q = 0.5 A$
Quiescent current (OFF mode)	I_q	-	-	50	μA	-

Short Description

TLE 4261-2

Features

- Low-drop voltage regulator
- Wide operating range
- Wide temperature range
- Short-circuit protection
- Over temperature protection
- Over voltage protection
- Adjustable reset time
- Reverse polarity proof
- Inhibit input
- Watchdog circuit
- Reset function down to 1 V (output voltage)

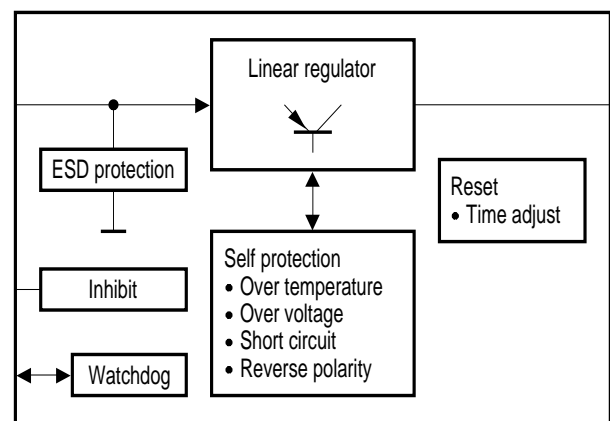


Type	Ordering Code	Package
▼ TLE 4261-2	Q67000-A9110	P-TO220-7-1
▼ TLE 4261-2 G	Q67000-A9140	P-DSO-20-6
▼ TLE 4261-2 GL	Q67006-A9193	P-TO220-7-8

■ SMD = Surface Mounted Device

▼ Not for new design, see TLE 4271

Block Diagram



AEB02101

Operating Range

Parameter	Symbol	Limit Values	Unit
Supply voltage	V_S	40	V
Output current	I_Q	500	mA

Absolute Maximum Ratings

Parameter	Symbol	Limit Values	Unit
Supply voltage	V_S	- 42 to 65	V
Output current	I_Q	1.6	A
Junction temperature	T_j	- 40 to 150	°C

Electrical Characteristics

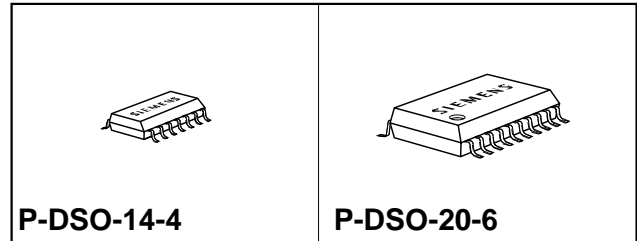
Parameter	Symbol	Limit Values			Unit	Remarks
		min.	typ.	max.		
Output voltage	V_Q	4.9	5.00	5.1	V	-
Accuracy	-	- 2	-	+ 2	%	-
Drop voltage	V_{Dr}	-	0.35	0.5	V	$I_Q = 0.5 A$
Quiescent current (OFF mode)	I_q	-	-	50	μA	-

Short Description

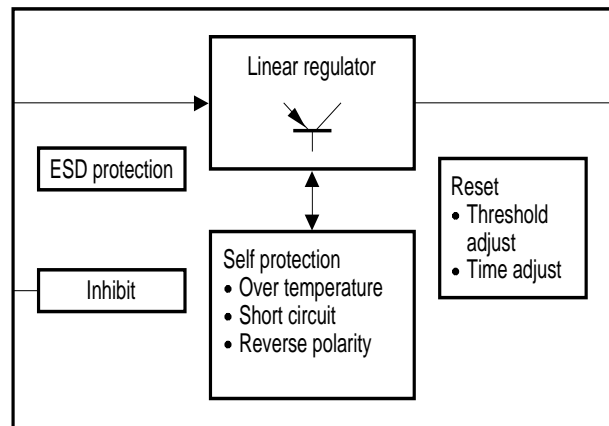
TLE 4262

Features

- Low-drop voltage regulator
- Excellent behavior
- Adjustable reset time
- Adjustable reset threshold
- Reverse polarity proof
- Inhibit input
- Wide operating range
- Wide temperature range
- Short-circuit protection
- Over temperature protection
- Reset funktion down to 1 V (output voltage)



Block Diagram



AEB02102

Type	Ordering Code	Package
TLE 4262 G	Q67006-A9068	P-DSO-20-6
▼ TLE 4262 GM	Q67006-A9356	P-DSO-14-4

■ SMD = Surface Mounted Device

▼ New type

Operating Range

Parameter	Symbol	Limit Values	Unit
Supply voltage	V_S	45	V
Output current	I_Q	200	mA

Absolute Maximum Ratings

Parameter	Symbol	Limit Values	Unit
Supply voltage	V_S	- 42 to 45	V
Output current	I_Q	0.5	A
Junction temperature	T_j	- 40 to 150	°C

Electrical Characteristics

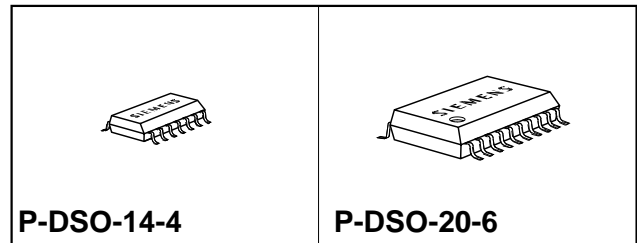
Parameter	Symbol	Limit Values			Unit	Remarks
		min.	typ.	max.		
Output voltage	V_Q	4.90	5.00	5.10	V	-
Accuracy	-	- 2	-	+ 2	%	-
Drop voltage	V_{Dr}	-	0.25	0.5	V	$I_Q = 150 \text{ mA}$
Quiescent current	I_q	-	720	900	μA	$I_Q = 1 \text{ mA}$
Quiescent current (OFF mode)	I_q	-	0	10	μA	-

Short Description

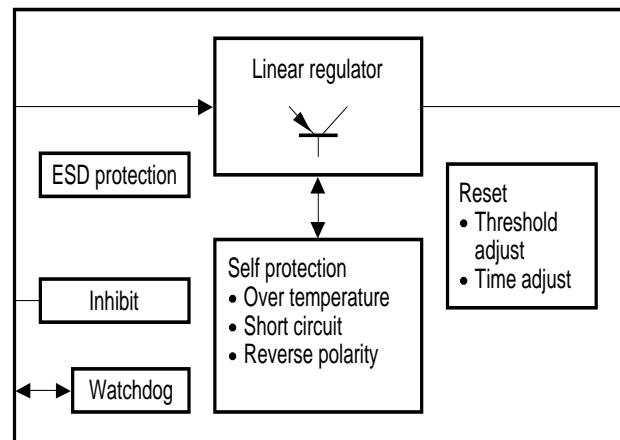
TLE 4263

Features

- Low-drop voltage regulator
- Excellent EMV behavior
- Adjustable reset time
- Adjustable reset threshold
- Reverse polarity proof
- Inhibit input
- Watchdog circuit
- Wide operating range
- Wide temperature range
- Short-circuit protection
- Over temperature protection
- Reset funktion down to 1 V (output voltage)



Block Diagram



AEB02103

Type	Ordering Code	Package
TLE 4263 G	Q67006-A9095	P-DSO-20-6
▼ TLE 4263 GM	Q67006-A9357	P-DSO-14-4

■ SMD = Surface Mounted Device

▼ New type

Operating Range

Parameter	Symbol	Limit Values	Unit
Supply voltage	V_S	45	V
Output current	I_Q	200	mA

Absolute Maximum Ratings

Parameter	Symbol	Limit Values	Unit
Supply voltage	V_S	- 42 to 45	V
Output current	I_Q	0.5	A
Junction temperature	T_j	- 40 to 150	°C

Electrical Characteristics

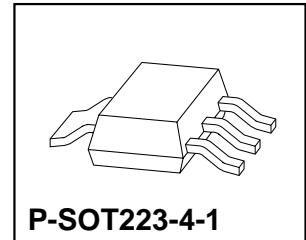
Parameter	Symbol	Limit Values			Unit	Remarks
		min.	typ.	max.		
Output voltage	V_Q	4.90	5.00	5.10	V	-
Accuracy	-	- 2	-	+ 2	%	-
Drop voltage	V_{Dr}	-	0.35	0.5	V	$I_Q = 150$ mA
Quiescent current	I_q	-	850	1100	μA	$I_Q = 1$ mA
Quiescent current (OFF mode)	I_q	-	0	10	μA	-

Short Description

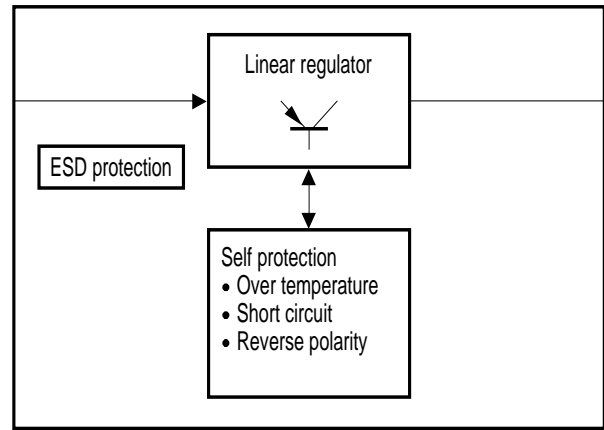
TLE 4264

Features

- Low-drop voltage regulator
- Wide operating range
- Wide temperature range
- Short-circuit protection
- Over temperature protection
- Reverse polarity proof



Block Diagram



AEB02104

Type	Ordering Code	Package
TLE 4264 G	Q67006-A9139	P-SOT223-4-1

■ SMD = Surface Mounted Device

Operating Range

Parameter	Symbol	Limit Values	Unit
Supply voltage	V_S	45	V
Output current	I_Q	120	mA

Absolute Maximum Ratings

Parameter	Symbol	Limit Values	Unit
Supply voltage	V_S	- 42 to 45	V
Output current	I_Q	0.5	A
Junction temperature	T_j	- 40 to 150	°C

Electrical Characteristics

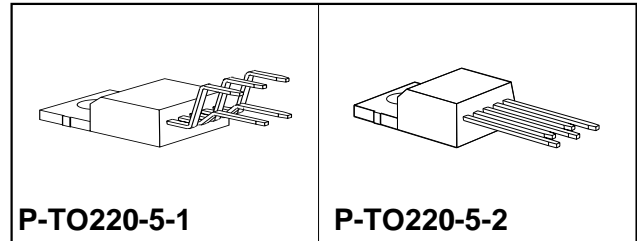
Parameter	Symbol	Limit Values			Unit	Remarks
		min.	typ.	max.		
Output voltage	V_Q	4.90	5.00	5.10	V	-
Accuracy	-	- 2	-	+ 2	%	-
Drop voltage	V_{Dr}	-	0.25	0.5	V	$I_Q = 100 \text{ mA}$
Quiescent current	I_q	-	250	400	μA	$I_Q = 1 \text{ mA}$

Short Description

TLE 4265

Features

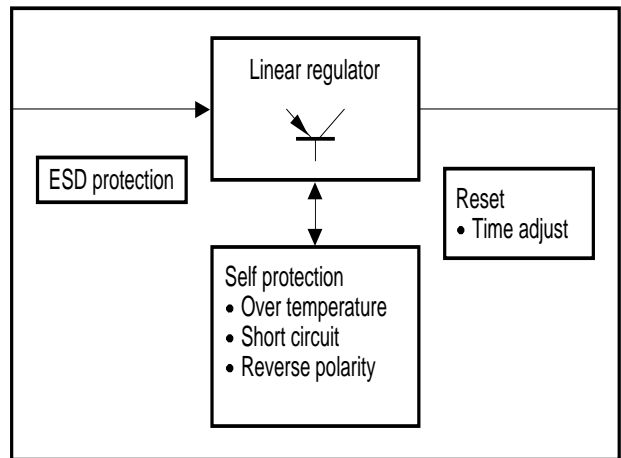
- Low-drop voltage regulator
- Wide operating range
- Wide temperature range
- Short-circuit protection
- Over temperature protection
- Adjustable reset time
- Reverse polarity proof
- Reset function down to 1V (output voltage)



P-TO220-5-1

P-TO220-5-2

Block Diagram



AEB02105

Type	Ordering Code	Package
TLE 4265	Q67000-A9138	P-TO220-5-1
TLE 4265 S	Q67000-A9277	P-TO229-5-2

Operating Range

Parameter	Symbol	Limit Values	Unit
Supply voltage	V_S	45	V
Output current	I_Q	200	mA

Absolute Maximum Ratings

Parameter	Symbol	Limit Values	Unit
Supply voltage	V_S	- 42 to 45	V
Output current	I_Q	0.5	A
Junction temperature	T_j	- 40 to 150	°C

Electrical Characteristics

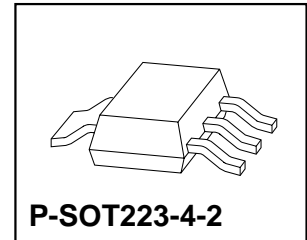
Parameter	Symbol	Limit Values			Unit	Remarks
		min.	typ.	max.		
Output voltage	V_Q	4.90	5.00	5.10	V	-
Accuracy	-	- 2	-	+ 2	%	-
Drop voltage	V_{Dr}	-	0.25	0.5	V	$I_Q = 150$ mA
Quiescent current	I_q	-	720	900	μA	$I_Q = 1$ mA

Short Description

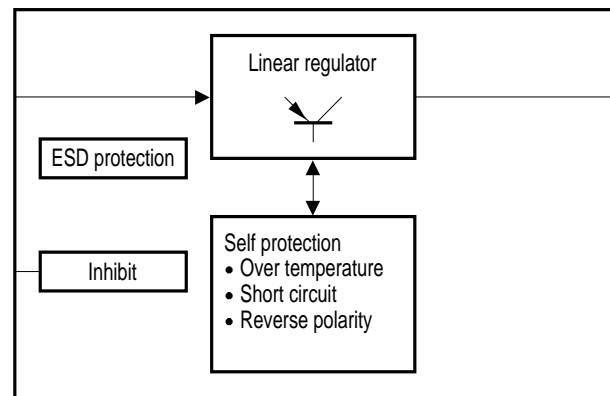
TLE 4266

Features

- Low-drop voltage regulator
- Wide operating range
- Wide temperature range
- Short-circuit protection
- Over temperature protection
- Inhibit input
- Reverse polarity proof



Block Diagram



AEB02106

Type	Ordering Code	Package
TLE 4266 G	Q67006-A9152	P-SOT223-4-2
▼ TLE 4266 GSV10	Q67006-A9355	P-SOT223-4-2

■ SMD = Surface Mounted Device

▼ New type

Operating Range

Parameter	Symbol	Limit Values	Unit
Supply voltage	V_S	45	V
Output current	I_Q	120	mA

Absolute Maximum Ratings

Parameter	Symbol	Limit Values	Unit
Supply voltage	V_S	- 42 to 45	V
Output current	I_Q	0.5	A
Junction temperature	T_j	- 40 to 150	°C

Electrical Characteristics

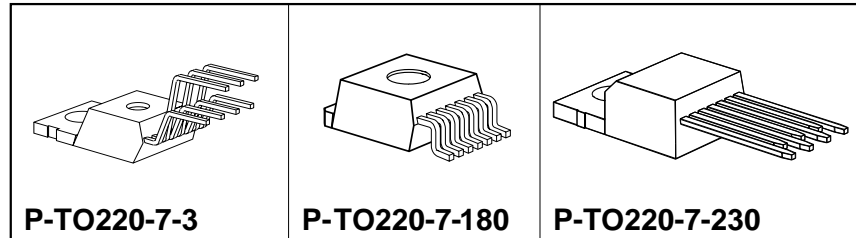
Parameter	Symbol	Limit Values			Unit	Remarks
		min.	typ.	max.		
Output voltage	V_Q	4.90	5.00	5.10	V	-
Output voltage GSV 10	V_Q	9.80	10.0	10.2	V	-
Accuracy	-	- 2	-	+ 2	%	-
Drop voltage	V_{Dr}	-	0.25	0.5	V	$I_Q = 100 \text{ mA}$
Quiescent current	I_q	-	250	400	μA	$I_Q = 1 \text{ mA}$
Quiescent current (OFF mode)	I_q	-	0	10	μA	-

Short Description

TLE 4267

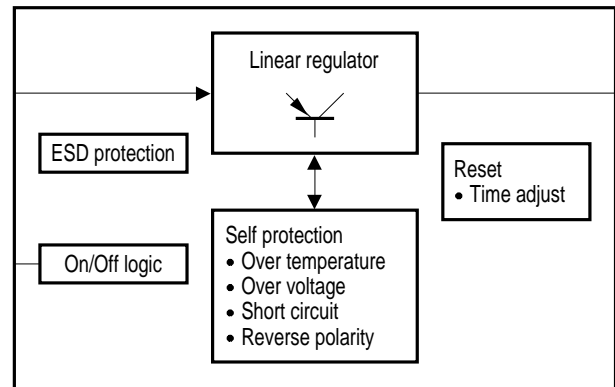
Features

- Low-drop voltage regulator
- Wide operating range
- Wide temperature range
- Short-circuit protection
- Over temperature protection
- Over voltage protection
- Adjustable reset time
- Reverse polarity proof
- On/Off logic
- ESD protection > 2000 V
- Reset function down to 1 V (output voltage)



Type	Ordering Code	Package
TLE 4267	Q67000-A9153	P-TO220-7-3
TLE 4267 G	Q67006-A9169	P-TO220-7-180
TLE 4267 S	Q67000-A9246	P-TO220-7-230

Block Diagram



AE802107

■ SMD = Surface Mounted Device

Operating Range

Parameter	Symbol	Limit Values	Unit
Supply voltage	V_S	42	V
Output current	I_Q	400	mA

Absolute Maximum Ratings

Parameter	Symbol	Limit Values	Unit
Supply voltage	V_S	- 42 to 65	V
Output current	I_Q	1.0	A
Junction temperature	T_j	- 40 to 150	°C

Electrical Characteristics

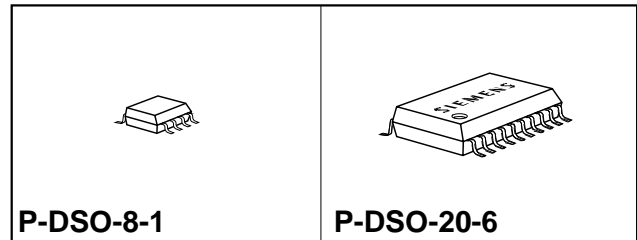
Parameter	Symbol	Limit Values			Unit	Remarks
		min.	typ.	max.		
Output voltage	V_Q	4.90	5.00	5.10	V	-
Accuracy	-	- 2	-	+ 2	%	-
Drop voltage	V_{Dr}	-	0.35	0.5	V	$I_Q = 400$ mA
Quiescent current	I_q	-	1300	-	μA	$I_Q = 1$ mA
Quiescent current (OFF mode)	I_q	-	0	20	μA	-

Short Description

TLE 4268

Features

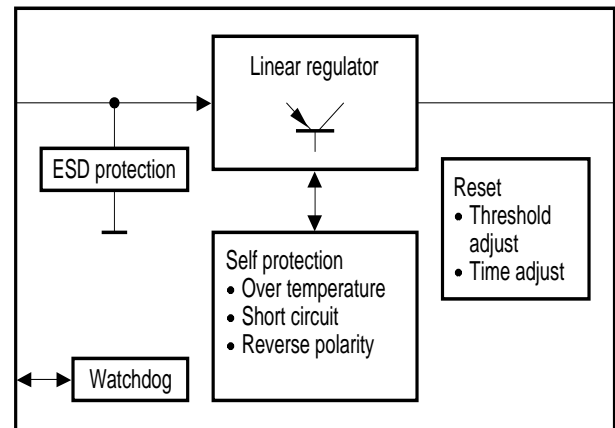
- Low-drop voltage regulator
- Adjustable reset time
- Adjustable reset threshold
- Reverse polarity proof
- Load dependent watchdog circuit
- Wide operating range
- Wide temperature range
- Short-circuit protection
- Over temperature protection
- ESD protection > 4000 V
- Reset function down to 1 V (output voltage)



Type	Ordering Code	Package
TLE 4268 GS	Q67006-A9229	P-DSO-8-1
TLE 4268 G	Q67006-A9146	P-DSO-20-6

■ SMD = Surface Mounted Device

Block Diagram



AEB02108

Operating Range

Parameter	Symbol	Limit Values	Unit
Supply voltage	V_S	45	V
Output current	I_Q	200	mA

Absolute Maximum Ratings

Parameter	Symbol	Limit Values	Unit
Supply voltage	V_S	- 42 to 45	V
Output current	I_Q	0.5	A
Junction temperature	T_j	- 40 to 150	°C

Electrical Characteristics

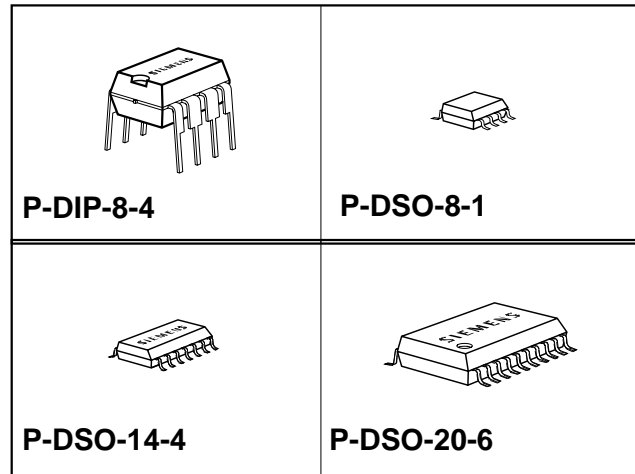
Parameter	Symbol	Limit Values			Unit	Remarks
		min.	typ.	max.		
Output voltage	V_Q	4.90	5.00	5.10	V	-
Accuracy	-	- 2	-	+ 2	%	-
Drop voltage	V_{Dr}	-	0.25	0.5	V	$I_Q = 150$ A
Quiescent current	I_q	-	270	400	μA	$I_Q = 1$ mA

Short Description

TLE 4269

Features

- Low-drop voltage regulator
- Early warning
- Adjustable reset time
- Adjustable reset threshold
- Wide operating range
- Wide temperature range
- Short-circuit protection
- Over temperature protection
- Reverse polarity proof
- ESD protection > 2000 V
- Reset function down to 1 V (output voltage)
- Integrated pull up resistors at logic outputs



Type	Ordering Code	Package
TLE 4269 A	Q67000-A9190	P-DIP-8-4
TLE 4269 G	Q67006-A9173	P-DSO-8-1
▼ TLE 4269 GM	Q67006-A9288	P-DSO-14-4
TLE 4269 GL	Q67006-A9192	P-DSO-20-6

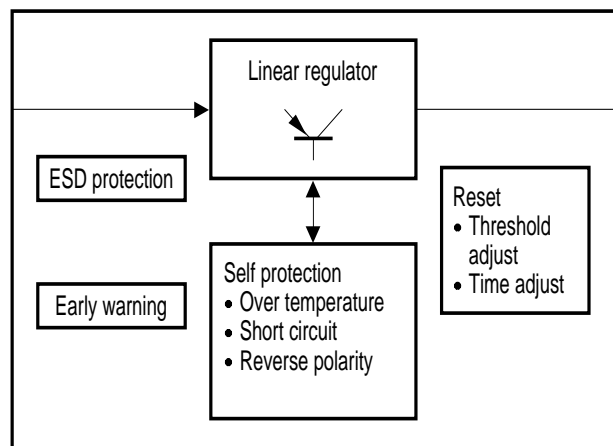
■ SMD = Surface Mounted Device

▼ New type

Operating Range

Parameter	Symbol	Limit Values	Unit
Supply voltage	V_S	45	V
Output current	I_Q	150	mA

Block Diagram



AEB02109

Absolute Maximum Ratings

Parameter	Symbol	Limit Values	Unit
Supply voltage	V_S	- 42 to 45	V
Output current	I_Q	0.5	A
Junction temperature	T_j	- 40 to 150	°C

Electrical Characteristics

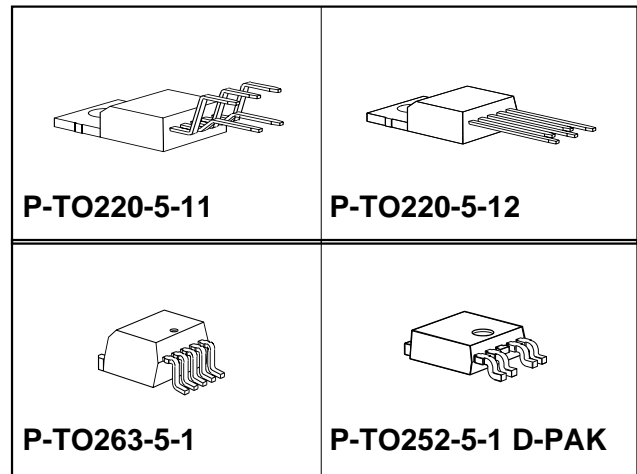
Parameter	Symbol	Limit Values			Unit	Remarks
		min.	typ.	max.		
Output voltage	V_Q	4.90	5.00	5.10	V	-
Accuracy	-	- 2	-	+ 2	%	-
Drop voltage	V_{Dr}	-	0.25	0.5	V	$I_Q = 120$ mA
Quiescent current	I_q	-	150	300	μA	$I_Q = 1$ mA

Short Description

TLE 4270

Features

- Low-drop voltage regulator
- Adjustable reset time
- Reverse polarity proof
- Excellent behavior
- Wide operating range
- Wide temperature range
- Short-circuit protection
- Over temperature protection
- Over voltage protection
- ESD protection > 4000 V
- Reset function down to 1 V (output voltage)



Type	Ordering Code	Package
TLE 4270	Q67000-A9209	P-TO220-5-11
TLE 4270 S	Q67000-A9243	P-TO220-5-12
TLE 4270 G	Q67006-A9201	P-TO263-5-1
▼ TLE 4270 D	Q67006-A9360	P-TO252-5-1

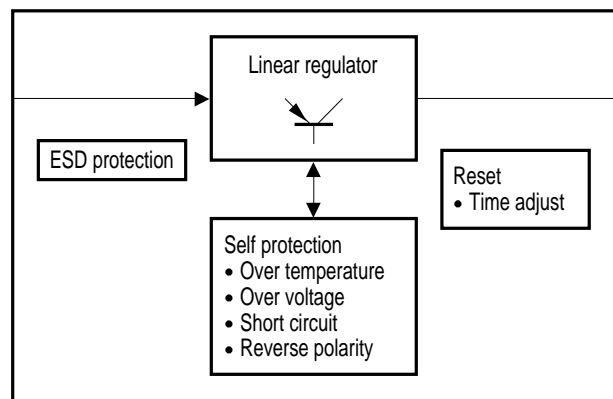
■ SMD = Surface Mounted Device

▼ New type

Operating Range

Parameter	Symbol	Limit Values	Unit
Supply voltage	V_S	42	V
Output current	I_Q	600	mA

Block Diagram



AEB02110

Absolute Maximum Ratings

Parameter	Symbol	Limit Values	Unit
Supply voltage	V_S	- 42 to 65	V
Output current	I_Q	1.4	A
Junction temperature	T_j	- 40 to 150	°C

Electrical Characteristics

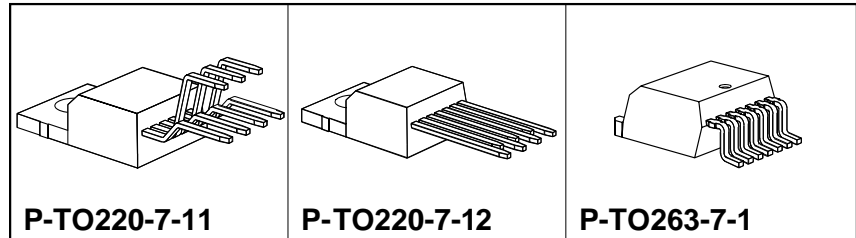
Parameter	Symbol	Limit Values			Unit	Remarks
		min.	typ.	max.		
Output voltage	V_Q	4.90	5.00	5.10	V	-
Accuracy	-	- 2	-	+ 2	%	-
Drop voltage	V_{Dr}	-	0.35	0.5	V	$I_Q = 0.55$ A
Quiescent current	I_q	-	0.9	1.5	mA	$I_Q = 1$ mA

Short Description

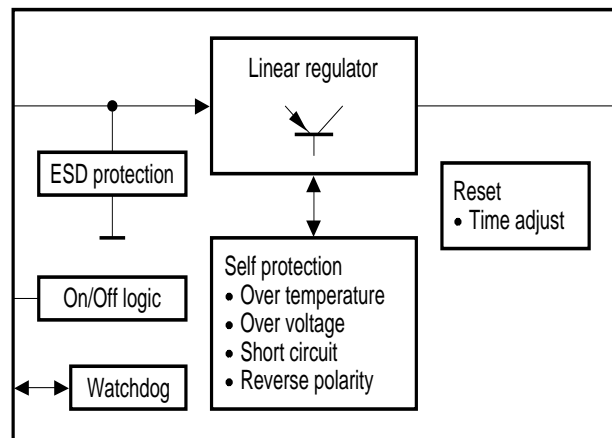
TLE 4271

Features

- Low-drop voltage regulator
- Wide operating range
- Wide temperature range
- Short-circuit protection
- Over temperature protection
- Over voltage protection
- Adjustable reset time
- Reverse polarity proof
- Inhibit input
- Watchdog circuit
- Reset function down to 1 V (output voltage)



Block Diagram



Type	Ordering Code	Package
TLE 4271	Q67000-A9210	P-TO220-7-11
TLE 4271 S	Q67000-A9244	P-TO220-7-2
TLE 4271 G	Q67006-A9195	P-TO263-7-1

■ SMD = Surface Mounted Device

AEB02111

Operating Range

Parameter	Symbol	Limit Values	Unit
Supply voltage	V_S	42	V
Output current	I_Q	600	mA

Absolute Maximum Ratings

Parameter	Symbol	Limit Values	Unit
Supply voltage	V_S	- 42 to 60	V
Junction temperature	T_j	- 40 to 150	°C

Electrical Characteristics

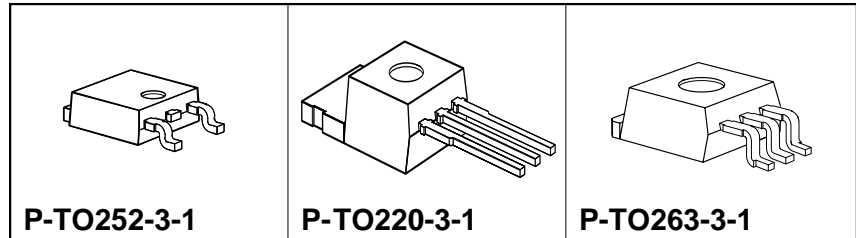
Parameter	Symbol	Limit Values			Unit	Remarks
		min.	typ.	max.		
Output voltage	V_Q	4.90	5.00	5.10	V	-
Accuracy	-	- 2	-	+ 2	%	-
Drop voltage	V_{Dr}	-	0.35	0.5	V	$I_Q = 0.55$ mA
Quiescent current	I_q	-	1	1.5	μA	$I_Q = 1$ mA
Quiescent current (OFF mode)	I_q	-	0	20	μA	-

Short Description

TLE 4274

Features

- Low drop voltage regulator
- Wide operating range
- Wide temperature range
- Short-circuit protection
- Over temperature protection
- Reverse polarity proof

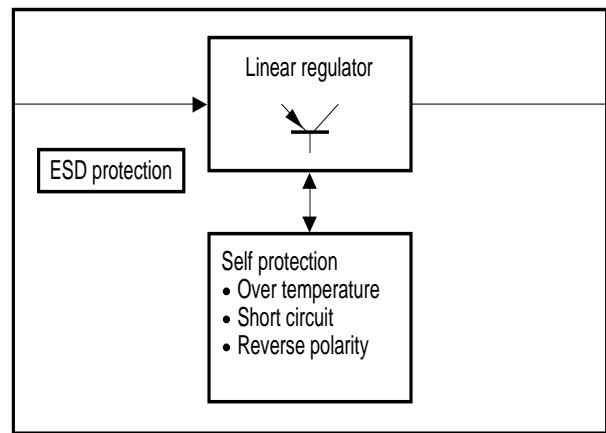


Type	Ordering Code	Package
TLE 4274 V10	Q67000-A9258	P-TO220-3-1
TLE 4274 V50	Q67000-A9256	P-TO220-3-1
TLE 4274 V85	Q67000-A9257	P-TO220-3-1
▼ TLE 4274 DV 50	Q67006-A9331	P-TO252-3-1
TLE 4274 G V10	Q67006-A9261	P-TO263-3-1
TLE 4274 G V50	Q67006-A9259	P-TO263-3-1
TLE 4274 G V85	Q67006-A9260	P-TO263-3-1

■ SMD = Surface Mounted Device

▼ New type

Block Diagram



AEB02104

Operating Range

Parameter	Symbol	Limit Values	Unit
Supply voltage	V_S	45	V
Output current	I_Q	400	mA

Absolute Maximum Ratings

Parameter	Symbol	Limit Values	Unit
Supply voltage	V_S	- 42 to 45	V
Output current	I_Q	0.8	A
Junction temperature	T_j	- 40 to 150	°C

Electrical Characteristics

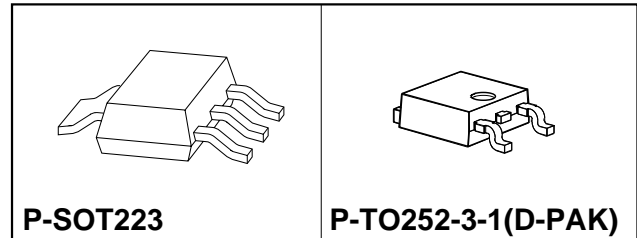
Parameter	Symbol	Limit Values			Unit	Remarks
		min.	typ.	max.		
Output voltage	V_Q	4.80	5.00	5.20	V	-
Accuracy	-	- 4	-	+ 4	%	-
Drop voltage	V_{Dr}	-	0.25	0.5	V	$I_Q = 250 \text{ mA}$
Quiescent current	I_q	-	100	200	μA	$I_Q = 1 \text{ mA}$

Short Description

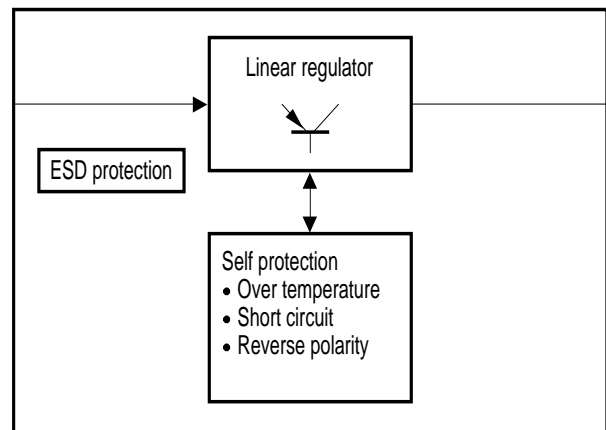
TLE 4274

Features

- Voltage regulator
- Wide operating range
- Wide temperature range
- Short-circuit protection
- Over temperature protection
- Reverse polarity proof
- 2.5 V, 3.3 V



Block Diagram



AEB02104

Type	Ordering Code	Package
TLE 4274 GS V33	Q67006-A9289	P-SOT223
▼ TLE 4274 D V33	Q67006-A9348	P-TO252-3-1
▼ TLE 4274 GS V25	Q67006-A9359	P-SOT223

■ SMD = Surface Mounted Device

▼ New type

Operating Range

Parameter	Symbol	Limit Values	Unit
Supply voltage	V_S	45	V
Output current	I_Q	400	mA

Absolute Maximum Ratings

Parameter	Symbol	Limit Values	Unit
Supply voltage	V_S	- 42 to 45	V
Output current	I_Q	0.8	A
Junction temperature	T_j	- 40 to 150	°C

Electrical Characteristics

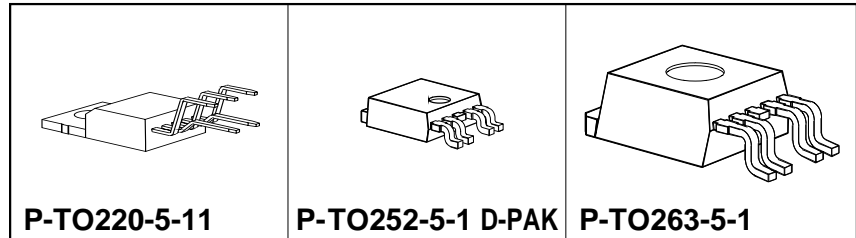
Parameter	Symbol	Limit Values			Unit	Remarks
		min.	typ.	max.		
Output voltage GSV 33	V_Q	3.17	3.3	3.44	V	-
Output voltage GSV 25	V_Q	2.4	2.5	2.6	V	-
Accuracy	-	- 4	-	+ 4	%	-
Drop voltage GSV 33	V_{Dr}	-	0.5	1.2	V	$I_Q = 300$ mA
Drop voltage GSV 25	V_{Dr}	-	1.3	2.0	V	-
Quiescent current	I_q	-	100	220	μA	$I_Q = 1$ mA

Short Description

TLE 4275

Features

- Low-drop voltage regulator
- Adjustable reset time
- Reverse polarity proof
- Excellent behavior
- Wide operating range
- Wide temperature range
- Short-circuit protection
- Over temperature protection
- ESD protection > 4000 V
- Reset function down to 1 V (output voltage)



Type	Ordering Code	Package
▼ TLE 4275	Q67000-A9342	P-TO220-5-11
▼ TLE 4275 D	Q67006-A9354	P-TO252-5-1
▼ TLE 4275 G	Q67006-A9343	P-TO263-5-1

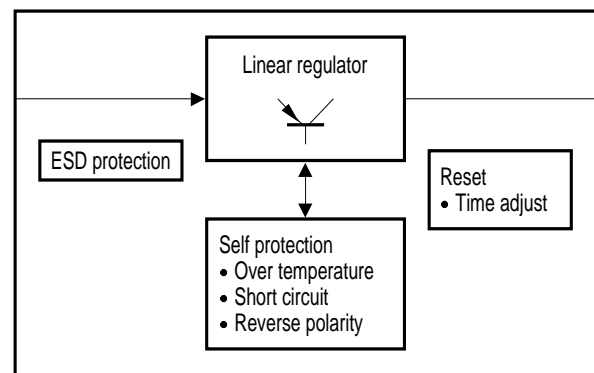
■ SMD = Surface Mounted Device

▼ New type

Operating Range

Parameter	Symbol	Limit Values	Unit
Supply voltage	V_S	45	V
Output current	I_Q	450	mA

Block Diagram



AEB02555

Absolute Maximum Ratings

Parameter	Symbol	Limit Values	Unit
Supply voltage	V_S	- 42 to 45	V
Output current	I_Q	1.4	A
Junction temperature	T_j	- 40 to 150	°C

Electrical Characteristics

Parameter	Symbol	Limit Values			Unit	Remarks
		min.	typ.	max.		
Output voltage	V_Q	4.90	5.00	5.10	V	-
Accuracy	-	- 2	-	+ 2	%	-
Drop voltage	V_{Dr}	-	0.25	0.5	V	$I_Q = 300$ mA
Quiescent current	I_q	-	150	200	μA	$I_Q = 1$ mA

Short Description

TLE 4276

Features

- Low-drop voltage regulator
- Wide operating range
- Wide temperature range
- Short-circuit protection
- Over temperature protection
- Inhibit input
- Reverse polarity proof
- 5.0 V, 8.5 V, 10.0 V
- Variable output voltage

Type	Ordering Code	Package
TLE 4276 V50	Q67000-A9262	P-TO220-5-3
TLE 4276 SV50	Q67000-A9267	P-TO220-5-43
TLE 4276 GV50	Q67006-A9266	P-TO220-5-122
TLE 4276 GV85	Q67006-A9268	P-TO220-5-122
TLE 4276 GV10	Q67006-A9270	P-TO220-5-122
TLE 4276 GV	Q67006-A9272	P-TO220-5-122
▼ TLE 4276 DV50	Q67006-A9358	P-TO252-5-1
▼ TLE 4276 DV	Q67006-A9361	P-TO252-5-1

■ SMD = Surface Mounted Device

▼ New type

Operating Range

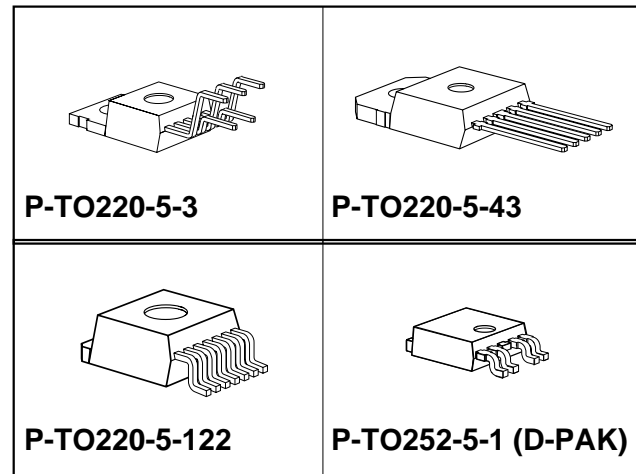
Parameter	Symbol	Limit Values	Unit
Supply voltage	V_S	45	V
Output current	I_Q	400	mA

Absolute Maximum Ratings

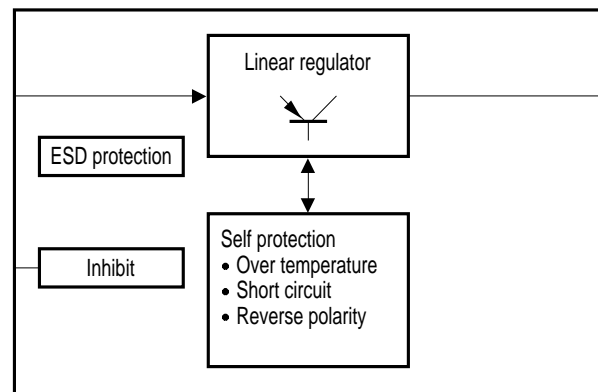
Parameter	Symbol	Limit Values	Unit
Junction temperature	T_j	- 40 to 150	°C

Electrical Characteristics

Parameter	Symbol	Limit Values			Unit	Remarks
		min.	typ.	max.		
Output voltage	V_Q	4.80	5.00	5.20	V	-
Accuracy	-	- 4	-	+ 4	%	-
Drop voltage	V_{Dr}	-	0.25	0.5	V	$I_Q = 300$ A
Quiescent current	I_q	-	120	220	μA	$I_Q = 1$ mA
Quiescent current (OFF mode)	I_q	-	0	10	μA	-



Block Diagram



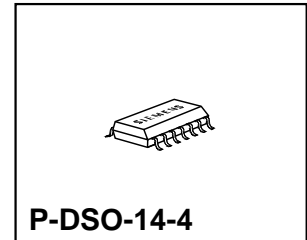
AEB02106

Short Description

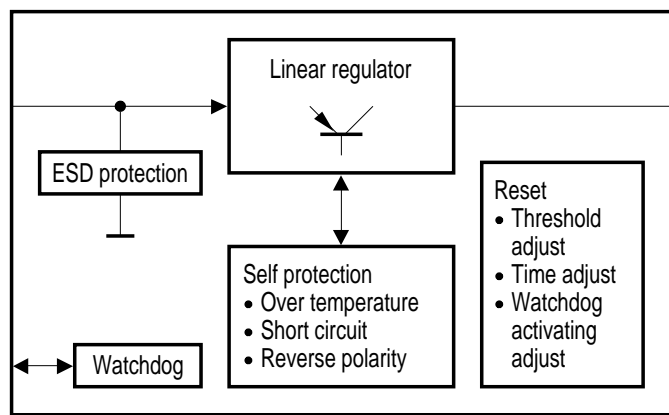
TLE 4278 G

Features

- Low-drop voltage regulator
- Very low quiescent current
- Adjustable reset time
- Adjustable reset threshold
- Reverse polarity proof
- Adjustable watchdog activating threshold
- Wide operating range
- Wide temperature range
- Short-circuit protection
- Over temperature protection
- ESD protection > 2000 V
- Reset funktion down to 1 V (output voltage)



Block Diagram



AEB02556

Type	Ordering Code	Package
TLE 4278 G	Q67006-A9291	P-DSO-14-4

■ SMD = Surface Mounted Device

Operating Range

Parameter	Symbol	Limit Values	Unit
Supply voltage	V_S	45	V
Output current	I_Q	160	mA

Absolute Maximum Ratings

Parameter	Symbol	Limit Values	Unit
Supply voltage	V_S	- 42 to 45	V
Output current	I_Q	0.5	A
Junction temperature	T_j	- 40 to 150	°C

Electrical Characteristics

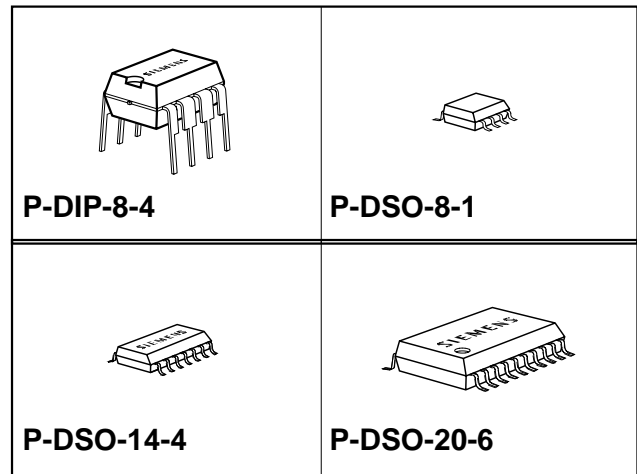
Parameter	Symbol	Limit Values			Unit	Remarks
		min.	typ.	max.		
Output voltage	V_Q	4.90	5.00	5.10	V	-
Accuracy	-	- 2	-	+ 2	%	-
Drop voltage	V_{Dr}	-	0.25	0.5	V	$I_Q = 150 \text{ mA}$
Quiescent current	I_q	-	175	220	μA	$I_Q = 1 \text{ mA}$

Short Description

TLE 4279

Features

- Low-drop voltage regulator
- Early warning
- Adjustable reset time
- Adjustable reset threshold
- Wide operating range
- Wide temperature range
- Short-circuit protection
- Over temperature protection
- Reverse polarity proof
- ESD protection > 2000 V
- Reset function down to 1 V (output voltage)



Type	Ordering Code	Package
TLE 4279 A	on request	P-DIP-8-4
TLE 4279 G	Q67006-A9225	P-DSO-8-1
▼ TLE 4279 GM	Q67006-A9307	P-DSO-14-4
TLE 4279 GL	Q67006-A9306	P-DSO-20-6

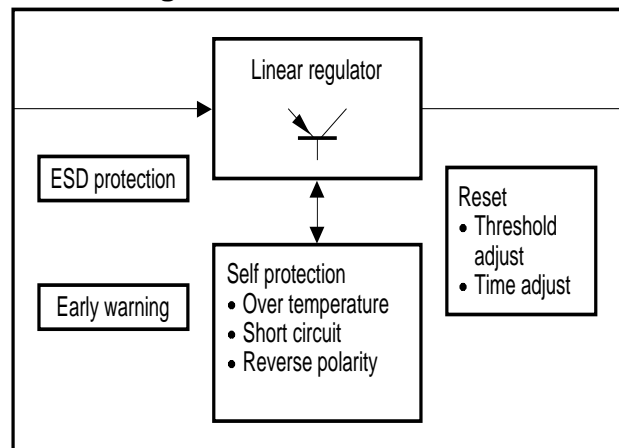
■ SMD = Surface Mounted Device

▼ New type

Operating Range

Parameter	Symbol	Limit Values	Unit
Supply voltage	V_S	45	V
Output current	I_Q	150	mA

Block Diagram



AEB02109

Absolute Maximum Ratings

Parameter	Symbol	Limit Values	Unit
Supply voltage	V_S	- 42 to 45	V
Output current	I_Q	0.5	A
Junction temperature	T_j	- 40 to 150	°C

Electrical Characteristics

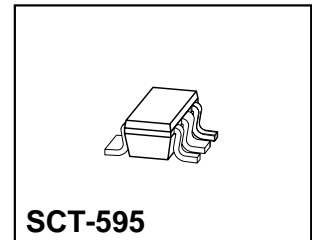
Parameter	Symbol	Limit Values			Unit	Remarks
		min.	typ.	max.		
Output voltage	V_Q	4.90	5.00	5.10	V	-
Accuracy	-	- 2	-	+ 2	%	-
Drop voltage	V_{Dr}	-	0.25	0.5	V	$I_Q = 120$ mA
Quiescent current	I_q	-	150	300	μA	$I_Q = 1$ mA

Short Description

TLE 4285 G

Features

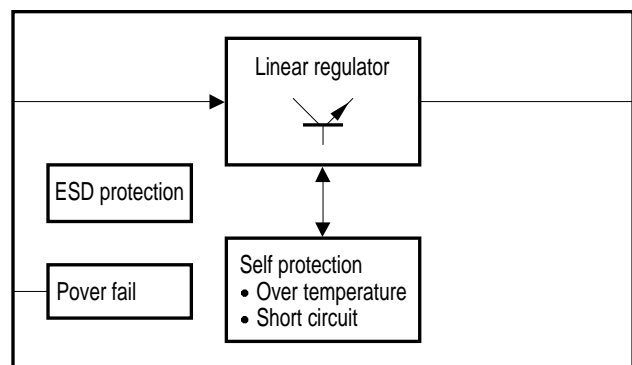
- Low-drop voltage regulator
- Wide operating range
- Wide temperature range
- Short-circuit protection
- Over temperature protection
- Power fail



Type	Ordering Code	Package
TLE 4285 G	Q67006-A9328	SCT-595

■ SMD = Surface Mounted Device

Block Diagram



AEB02276

Operating Range

Parameter	Symbol	Limit Values	Unit
Supply voltage	V_S	45	V
Output current	I_Q	10	mA

Absolute Maximum Ratings

Parameter	Symbol	Limit Values	Unit
Output current	I_Q	0.05	A
Supply voltage	V_S	- 0.3 to 45	V
Junction temperature	T_j	- 40 to 150	°C

Electrical Characteristics

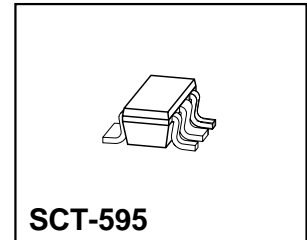
Parameter	Symbol	Limit Values			Unit	Remarks
		min.	typ.	max.		
Output voltage	V_Q	4.80	5.00	5.20	V	-
Accuracy	-	- 4	-	+ 4	%	-
Drop voltage	V_{Dr}	-	0.8	1.0	V	$I_Q = 10 \text{ mA}$
Quiescent current	I_q	-	80	140	μA	$I_Q = 1 \text{ mA}$

Short Description

TLE 4286 G

Features

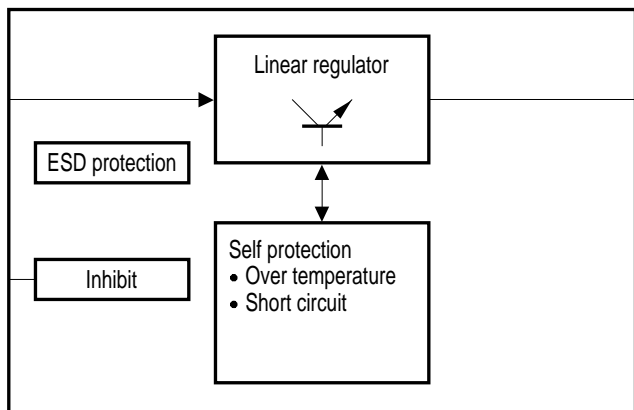
- Low-drop voltage regulator
- Wide operating range
- Wide temperature range
- Short-circuit protection
- Over temperature protection
- Inhibit input



Type	Ordering Code	Package
TLE 4286 G	Q67006-A9304	SCT-595

■ SMD = Surface Mounted Device

Block Diagram



AEB02112

Operating Range

Parameter	Symbol	Limit Values	Unit
Supply voltage	V_S	45	V
Output current	I_Q	10	mA

Absolute Maximum Ratings

Parameter	Symbol	Limit Values	Unit
Supply voltage	V_S	- 0.3 to 45	V
Output current	I_Q	0.05	A
Junction temperature	T_j	- 40 to 150	°C

Electrical Characteristics

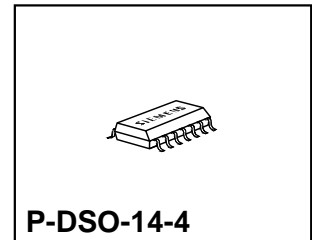
Parameter	Symbol	Limit Values			Unit	Remarks
		min.	typ.	max.		
Output voltage	V_Q	4.80	5.00	5.20	V	-
Accuracy	-	- 4	-	+ 4	%	-
Drop voltage	V_{Dr}	-	0.8	1.0	V	$I_Q = 10 \text{ mA}$
Quiescent current	I_q	-	55	100	μA	$I_Q = 1 \text{ mA}$
Quiescent current (OFF mode)	I_q	-	0	1	μA	-

Short Description

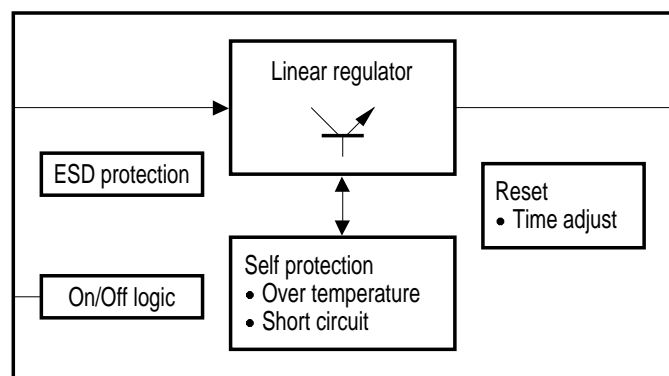
TLE 4287 G

Features

- Voltage regulator
- Wide operating range
- Extended temperature range
- Short-circuit protection
- Over temperature protection
- Adjustable reset timef
- On/Off logic
- ESD protection > 2000 V
- Reset function down to 1 V (output voltage)
- Output stable with ≥ 100 nF



Block Diagram



AEB02557

Type	Ordering Code	Package
▼ TLE 4287 G	Q67006-A9286	P-DSO-14-4

■ SMD = Surface Mounted Device

▼ New type

Operating Range

Parameter	Symbol	Limit Values	Unit
Supply voltage	V_S	45	V
Output current	I_Q	300	mA

Absolute Maximum Ratings

Parameter	Symbol	Limit Values	Unit
Supply voltage	V_S	- 42 to 45	V
Output current	I_Q	1.0	A
Junction temperature	T_j	- 40 to 170	°C

Electrical Characteristics

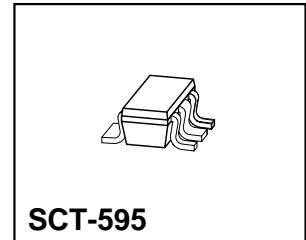
Parameter	Symbol	Limit Values			Unit	Remarks
		min.	typ.	max.		
Output voltage	V_Q	4.90	5.00	5.10	V	-
Accuracy	-	- 2	-	+ 2	%	-
Drop voltage	V_{Dr}	-	1.8	2.0	V	$I_Q = 250$ mA
Quiescent current	I_q	-	2	4	mA	$I_Q = 250$ mA
Quiescent current (OFF mode)	I_q	-	0	10	μ A	-

Short Description

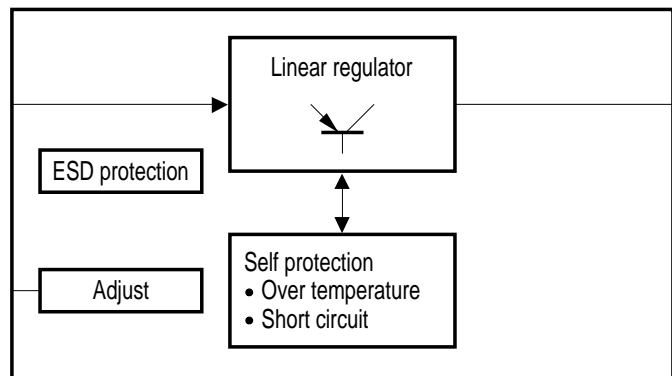
TLE 4296

Features

- Very low-drop voltage regulator
- Wide operating range
- Wide temperature range
- Short-circuit protection
- Over temperature protection
- Inhibit input



Block Diagram



AEB02558

Type	Ordering Code	Package
▼ TLE 4296 GV30	Q67006-A9339	SCT-595
▼ TLE 4296 GV33	Q67006-A9340	SCT-595
▼ TLE 4296 GV50	Q67006-A9372	SCT-595

■ SMD = Surface Mounted Device

▼ New type

Operating Range

Parameter	Symbol	Limit Values	Unit
Supply voltage	V_S	45	V
Output current	I_Q	30	mA

Absolute Maximum Ratings

Parameter	Symbol	Limit Values	Unit
Supply voltage	V_S	- 0.3 to 45	V
Output current	I_Q	0.05	A
Junction temperature	T_j	- 40 to 150	°C

Electrical Characteristics

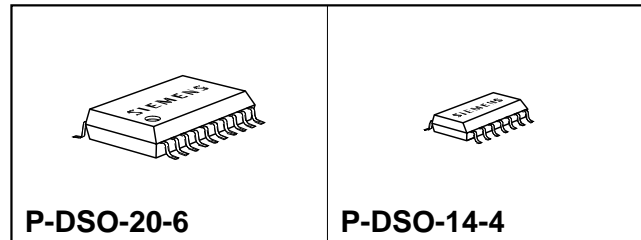
Parameter	Symbol	Limit Values			Unit	Remarks
		min.	typ.	max.		
Output voltage	V_Q	4.80	5.00	5.20	V	-
Accuracy	-	- 4	-	+ 4	%	-
Drop voltage	V_{Dr}	-	0.3	0.6	V	$I_Q = 20$ mA
Quiescent current	I_q	-	55	100	μA	$I_Q = 1$ mA
Quiescent current (OFF mode)	I_q	-	0	1	μA	-

Short Description

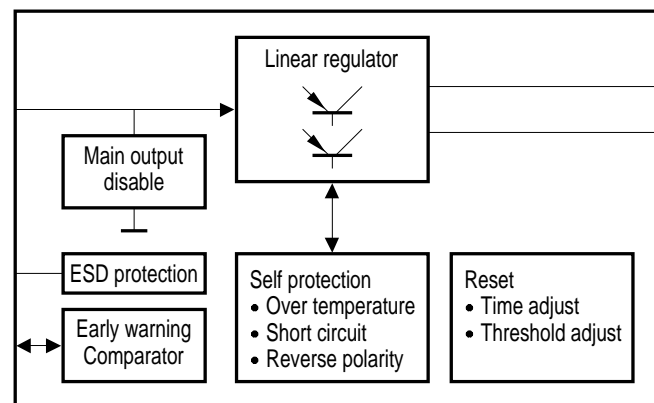
TLE 4470

Features

- Dual low-drop voltage regulator
- Main output adjustable
- Very low quiescent current consumption
- Early warning comparator
- Adjustable reset time
- Adjustable reset threshold
- Short-circuit protection
- Over temperature protection
- Inhibit disables main output
- Reverse polarity proof
- Reset function down to 1V (output voltage)



Block Diagram



AEB02278

Type	Ordering Code	Package
TLE 4470 GS	Q67006-A9309	P-DSO-14-4
TLE 4470 G	Q67006-A9308	P-DSO-20-6

■ SMD = Surface Mounted Device

Operating Range

Parameter	Symbol	Limit Values	Unit
Supply voltage	V_S	45	V
Output current	I_{Q1}	180	mA
Output current	I_{Q2}	350	mA

Absolute Maximum Ratings

Parameter	Symbol	Limit Values	Unit
Supply voltage	V_S	- 42 to 45	V
Junction temperature	T_j	- 40 to 150	°C

Electrical Characteristics

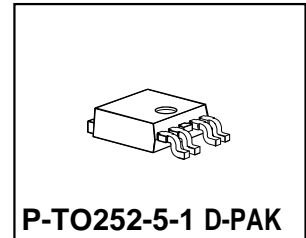
Parameter	Symbol	Limit Values			Unit	Remarks
		min.	typ.	max.		
Output voltage	V_{Q1}	4.90	5.00	5.10	V	-
Output voltage main regulator	V_{Q2}	$V_{Q1}-25$	-	$V_{Q1}+25$	mV	-
Accuracy	-	- 2	-	+ 2	%	-
Drop voltage	V_{Dr1}	-	0.3	0.5	V	$I_Q = 200 \text{ mA}$
Quiescent current main output off	I_{q1}	-	100	200	μA	$I_Q = 1 \text{ mA}$

Short Description

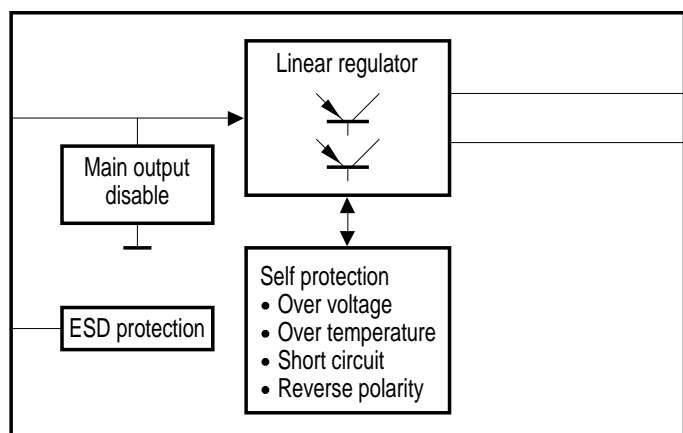
TLE 4476

Features

- Dual low-drop voltage regulator 5.0 V + 3.3 V
- Extended temperature range
- Overvoltage protection
- Very low quiescent current consumption
- Short-circuit protection
- Over temperature protection
- Inhibit disables main output
- Reverse polarity proof



Block Diagram



AEB02584

Type	Ordering Code	Package
▼ TLE 4476 GM	Q67006-A9362	P-TO252-5-1

■ SMD = Surface Mounted Device

▼ New type

Operating Range

Parameter	Symbol	Limit Values	Unit
Supply voltage	V_S	42	V
Output current	I_{Q1}	250	mA
Output current	I_{Q2}	330	mA

Absolute Maximum Ratings

Parameter	Symbol	Limit Values	Unit
Supply voltage	V_S	- 42 to 65	V
Junction temperature	T_j	- 40 to 170	°C

Electrical Characteristics

Parameter	Symbol	Limit Values			Unit	Remarks
		min.	typ.	max.		
Output voltage 1	V_{Q1}	4.80	5.00	5.20	V	-
Output voltage 2	V_{Q2}	3.17	3.30	3.43	mV	-
Accuracy	-	- 4	-	+ 4	%	-
Drop voltage	V_{Dr1}	-	0.3	0.5	V	$I_Q = 200$ mA
Quiescent current main output off	I_{q1}	-	130	200	μA	$I_Q = 1$ mA