

**ISDN Subscriber Access Controller for U<sub>PN</sub>-Interface Terminals PSB 2196**

The PSB 2196, ISDN Subscriber Access Controller for U<sub>PN</sub>-interface ISAC-P TE, implements the subscriber access functions for a digital terminal to be connected to a two-wire U<sub>PN</sub>-interface. The PSB 2196 ISAC-P TE combines the functions of the U<sub>PN</sub>-transceiver (one channel of the OCTAT-P PEB 2096) and the ISDN-Communications Controller (ICC, PEB 2070) onto one chip. The ISAC-P TE interfaces to voice/data devices via the IOM<sup>®</sup>-2 interface. The terminal repeater function of the ISAC-P TE allows to cascade two telephones which are controlled by one U<sub>PN</sub>-interface from the line card.

**1. Potential application**

- All kind of PBX Telephones
- Terminal Repeater Modules
- PC-Cards, Videophones, and Video
- Conferencing Systems with proprietary U<sub>PN</sub>-interface
- Terminal Adaptor with proprietary U<sub>PN</sub>-interface
- a/b-Adapter with proprietary U<sub>PN</sub>-interface

Customers

- PBX Telephone Manufacturers of:
- Key Systems
  - Small PBX Systems
  - Mid Range PBX Systems
  - Large PBX Systems

**2. Features:**

- Cost/performance-optimized U<sub>PN</sub>-interface transceiver, compatible to PEB 2096 OCTAT-P
- HDLC-controller with 2x32-byte FIFO per direction
- HDLC-address recognition and control field handling compatible to PEB 2070
- IOM-2 interface for terminal application compatible to PEB 2070 ICC
- 8-bit multiplexed microprocessor interface
- 4-wire serial programming interface
- CPU-clock and reset outputs
- Test loops

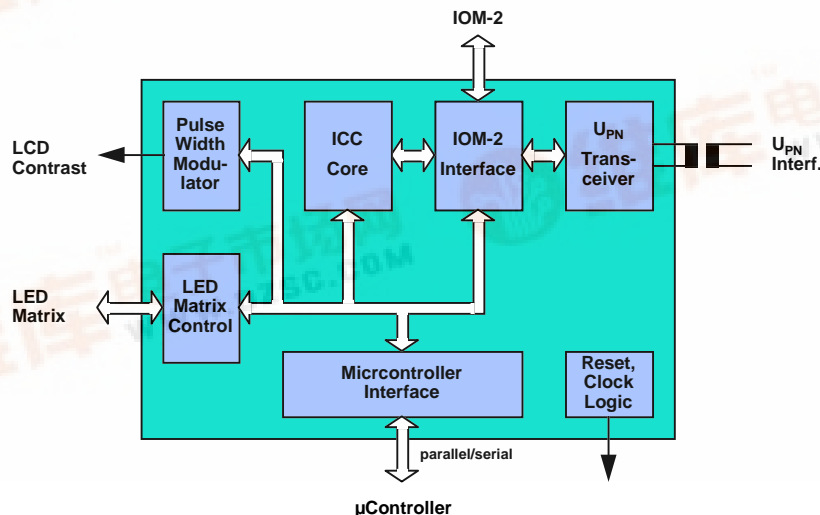
**3. Packing**

Type	Ordering Code	Package
PSB 2196H V1.4	Q67101-H6570 (pref. package)	P-MQFP-44
PSB 2196N V1.4	Q67100-H6569	P-LCC-44

**4. Product status**

Product	Step	Status	Changes
PSB 2196 N/H	V 1.4	Prod. Delivery Release	

**5. Diagram**



**6. Documentation** (Please contact our sales office for details)

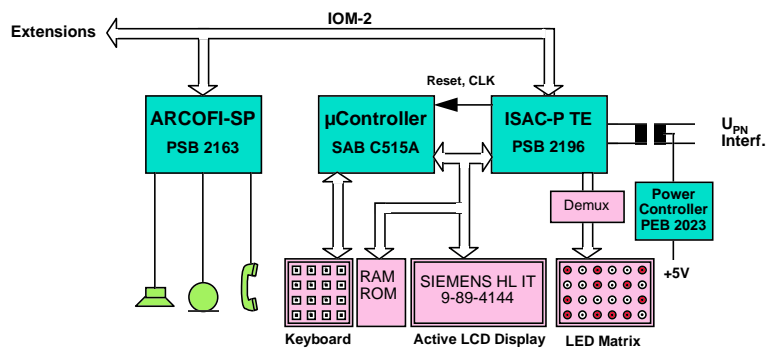
	<u>Date of issue/version</u>	<u>Type of material</u>
User's Manual	12/94	Booklet (B115-H6759-X-X-7600)
• App. Note: Migration from PEB 20950 ISAC-P to PSB 2196 ISAC-P TE	12/93	Copy
App. Note: Extending the Upn Interface Loop Length using ISAC-PTE or SmartLink	6/96	Copy
Errata Sheet V1.1, V1.2, V1.3	6/94	T2196-XV15-L1-7600

**7. Development and support tools**

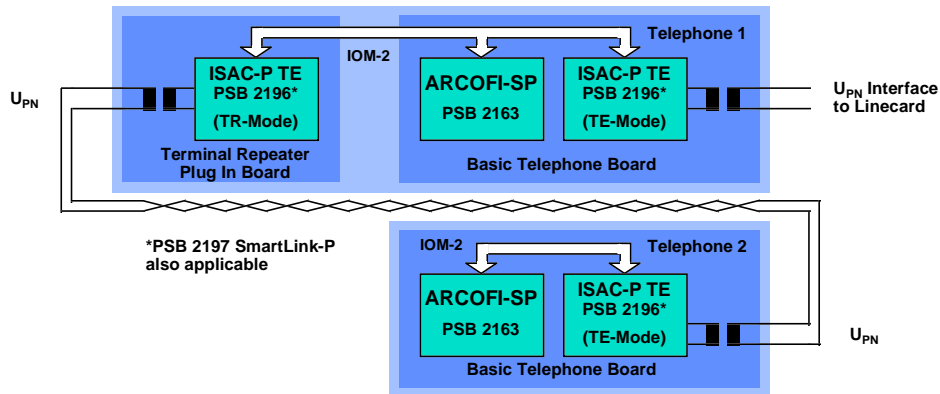
	<u>Availability</u>	<u>Ordering number</u>
SIPB5104 ISAC-P TE/TR Module	available	Q67100-H6426
SIPB5000 Mainboard	available	Q67100-H8647

**8. Applications**

• **PBX Feature Phone**



• **Terminal Repeater Module**



• **PBX-PC Card**

