

Subscriber Access Controller for U_{PN}-Interface Terminals PSB 2197

The PSB 2197, SmartLink-P, implements the subscriber access functions for a digital terminal to be connected to a two-wire U_{PN}-interface. The PSB 2197 SmartLink-P is an optimized device for TE-applications, covering the complete layer-1 and basic layer-2 functions for digital terminals. The PSB 2197 SmartLink-P combines the functions of the U_{PN}-transceiver (one channel of the OCTAT-P PEB 2096) and a simple HDLC-controller for signaling data onto one chip. The Terminal Repeater function of the SmartLink-P allows to cascade two telephones which are controlled by one U_{PN}-interface from the line card or to extend the loop length by using an IEC-Q transceiver. The SmartLink-P interfaces to voice/data devices via the IOM[®]-2 interface.

1. Potential application

- All kind of PBX Telephones
- Terminal Repeater Modules
- PC-Cards, Videophones, and Video Conferencing Systems with proprietary U_{PN}-interface
- Terminal Adaptor with proprietary U_{PN}-interface
- t/r-Adapter with proprietary U_{PN}-interface

2. Features:

- Cost/performance-optimized U_{PN}-interface transceiver, compatible to PEB 2096 OCTAT-P and PSB 2196 ISAC-P TE
- HDLC-controller with 2x4-byte FIFO per direction
- IOM-2 interface for terminal application including bit clock and strobe signal
- Uplink MUTE function
- Selective B-channel loop back
- Serial control port
- Pulse width output LCD-contrast control or ring tone generation
- CPU-clock and reset output
- Watchdog timer
- Test loops

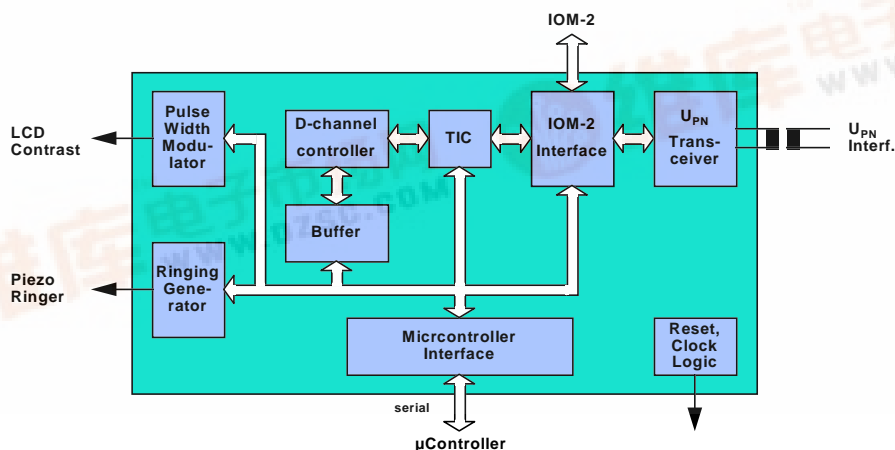
3. Packing

Type	Ordering Code	Package
PSB 2197 T V1.1	Q67100-H6462	P-DSO-28

4. Product status

Produkt	Step	Status	Changes
PSB 2197 T	V1.1	Prod. Delivery Release	

5. Diagram



6. Documentation (Please contact our sales office for details)

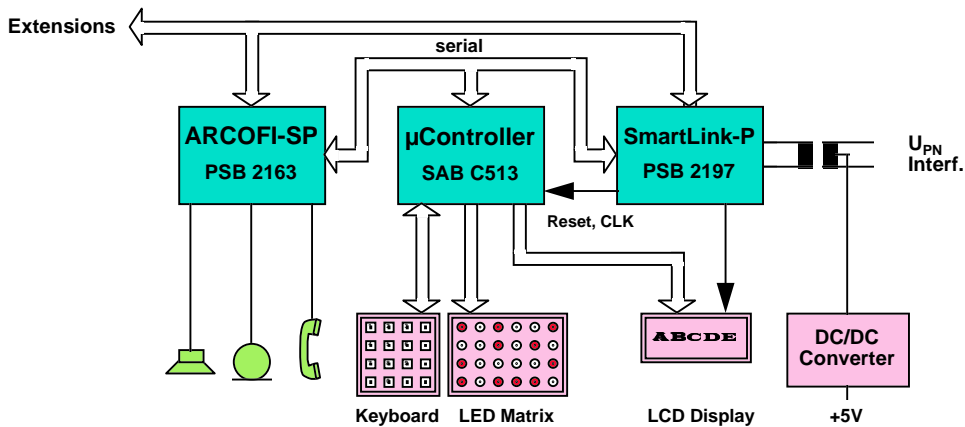
	<u>Date of issue/version</u>	<u>Type of material</u>
User's Manual	2/95	Booklet (B115-H6826-X-X-7600)
• Addendum to User's Manual	8/95	Booklet (B115-H6826-X-V1-7600)
• App. Note: Extending the Upn Interface	6/96	Copy
• Addendum/Correction to User's Manual	9/97	Copy
• Delta Sheet PSF 2197	9/97	Copy
Loop Length Using ISAC-PTE or SmartLink		

7. Development and support tools

	<u>Availability</u>	<u>Ordering number</u>
SISI 1097 SmartLink Kit	available	Q67100-H6566

8. Applications

- PBX Phone



- Terminal Repeater Module

