

DG221

Quad SPST CMOS Analog Switch with Latches

Features

- Accepts 150-ns Write Pulse Width
- 5-V On-Chip Regulator
- Built on PLUS-40 Process
- Latches Are Transparent with \overline{WR} Low
- Low On-Resistance: 60 Ω

Benefits

- Compatible with Most μ P Buses
- Allows Wide Power Supply Tolerance Without Affecting TTL Compatibility
- Reduced Power Consumption
- Allows Flexibility of Design

Applications

- μ P Based Systems
- Automatic Test Equipment
- Communication Systems
- Data Acquisition Systems
- Medical Instrumentation
- Factory Automation

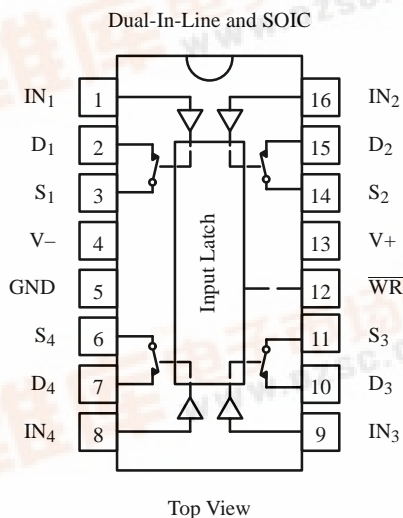
Description

The DG221 is a monolithic quad single-pole, single-throw analog switch designed for precision switching applications in communication, instrumentation and process control systems. Featuring independent onboard latches and a common \overline{WR} pin, each DG221 can be memory mapped, and addressed as a single data byte for simultaneous switching.

Designed on the Siliconix PLUS-40 CMOS process, the DG221 combines low power and low on-resistance (60 Ω typical) while handling continuous currents up to 20 mA. An epitaxial layer prevents latchup.

The device features true bidirectional performance in the on condition. These switches guarantee a rail-to-rail blocking capability (44 V max), in the off condition.

Functional Block Diagram and Pin Configuration



Four Latchable SPST Switches per Package

Truth Table

IN _X	\overline{WR}	Switch
0	0	ON
1	0	OFF
X		Control data latched-in, switches on or off as selected by last IN _X
X	1	Maintains previous state

Logic "0" \leq 0.8 V

Logic "1" \geq 2.4 V

Ordering Information

Temp Range	Package	Part Number
0°C to 70°C	16-Pin Plastic DIP	DG221CJ
-40°C to 85°C	16-Pin Narrow SOIC	DG221DY
-55°C to 125°C	16-Pin CerDIP	DG221AK/883

DG221

Absolute Maximum Ratings

Voltages Referenced to V-		Power Dissipation (Package) ^b	
V+	44 V	16-Pin CerDIP ^c	900 mW
GND	25 V	16-Pin Plastic DIP ^d	470 mW
Digital Inputs ^a , V _S , V _D	(V-) -2 V to (V+) +2 V	16-Pin SOIC ^e	600 mW
	or 20 mA, whichever occurs first	Notes:	
Continuous Current (Any Terminal)	30 mA	a.	Signals on S _X , D _X , or IN _X exceeding V+ or V- will be clamped by internal diodes. Limit forward diode current to maximum current ratings.
Continuous Current, S or D	20 mA	b.	All leads welded or soldered to PC Board.
Peak Current, S or D (Pulsed 1 ms, 10% duty cycle)	70 mA	c.	Derate 12 mW/°C above 75°C
Storage Temperature: (AK Suffix)	-65 to 150°C	d.	Derate 6.5 mW/°C above 25°C
(CJ and DY Suffix)	-65 to 125°C	e.	Derate 7.7 mW/°C above 75°C

Schematic Diagram (Typical Channel)

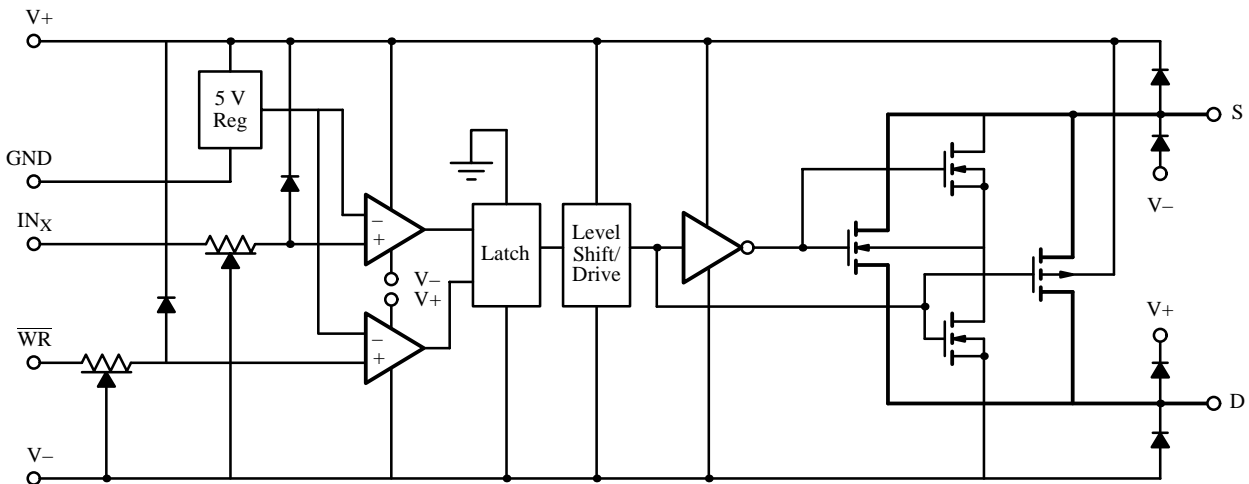


Figure 1.

Specifications^a

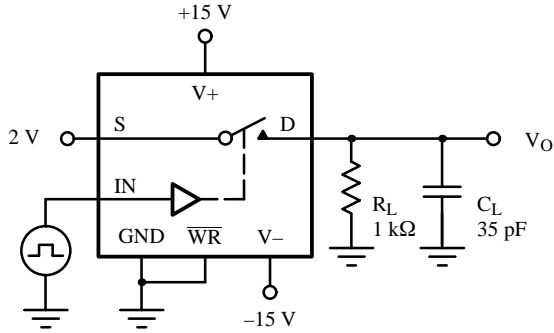
Parameter	Symbol	Test Conditions Unless Otherwise Specified $V_+ = 15\text{ V}$, $V_- = -15\text{ V}$ $V_{IN} = 2.4\text{ V}$, 0.8^f V , $\overline{WR} = 0$	Temp ^b	Typ ^c	A Suffix -55 to 125°C		D Suffix -40 to 85°C		Unit
					Min ^d	Max ^d	Min ^d	Max ^d	
Analog Switch									
Analog Signal Range ^e	V_{ANALOG}		Full		-15	15	-15	15	V
Drain-Source On-Resistance	$r_{DS(on)}$	$I_S = -10\text{ mA}$, $V_D = \pm 10\text{ V}$	Room Full	60		90 135		90 135	Ω
Source Off Leakage Current	$I_{S(off)}$	$V_S = \pm 14\text{ V}$, $V_D = \mp 14\text{ V}$	Room Full	± 0.01	-1 -100	1 100	-5 -100	5 100	nA
Drain Off Leakage Current	$I_{D(off)}$		Room Full	± 0.02	-1 -100	1 100	-5 -100	5 100	
Drain On Leakage Current	$I_{D(on)}$	$V_S = V_D = \pm 14\text{ V}$	Room Full	± 0.01	-1 -200	1 200	-5 -200	5 200	
Digital Control									
Input Current	I_{INL} , I_{INH}	$V_{IN} = 0\text{ V}$ or $= 2.4\text{ V}$	Room Full	-0.0004	-1 -10	1 10	-1 -10	1 10	μA
Dynamic Characteristics									
Turn-On Time	t_{ON}	See Figure 2	Room			550		550	ns
Turn-Off Time	t_{OFF}		Room			340		340	
Turn-On Time Write	$t_{ON, \overline{WR}}$	See Figure 3	Room			550		550	
Turn-Off Time Write	$t_{OFF, \overline{WR}}$		Room			340		340	
Write Pulse Width	t_W	See Figure 4	Room	120	150		150		
Input Setup Time	t_S		Room	130	180		180		
Input Hold Time	t_H		Full	0	20		20		
Charge Injection	Q	$C_L = 1000\text{ pF}$ $V_{GEN} = 0\text{ V}$, $R_{GEN} = 0\ \Omega$	Room	20					pC
Source-Off Capacitance	$C_{S(off)}$	$f = 1\text{ MHz}$, V_S , $V_D = 0\text{ V}$	Room	8					pF
Drain-Off Capacitance	$C_{D(off)}$		Room	9					
Channel-On Capacitance	$C_{D(on)}$		Room	29					
Off Isolation	OIRR	$V_S = 1\text{ V}_{p-p}$, $f = 100\text{ kHz}$ $C_L = 15\text{ pF}$, $R_L = 1\text{ k}\Omega$	Room	70					dB
Interchannel Crosstalk	X_{TALK}		Room	90					
Power Supplies									
Positive Supply Current	I+	All Channels On or Off $V_{IN} = 0\text{ V}$ or 2.4 V	Full	0.8		1.5		1.5	mA
Negative Supply Current	I-		Room	-0.4	-1		-1		

Notes:

- Refer to PROCESS OPTION FLOWCHART.
- Room = 25°C, Full = as determined by the operating temperature suffix.
- Typical values are for DESIGN AID ONLY, not guaranteed nor subject to production testing.
- The algebraic convention whereby the most negative value is a minimum and the most positive a maximum, is used in this data sheet.
- Guaranteed by design, not subject to production test.
- V_{IN} = input voltage to perform proper function.

DG221

Test Circuits



C_L (includes fixture and stray capacitance)

$$V_O = V_S \frac{R_L}{R_L + r_{DS(on)}}$$

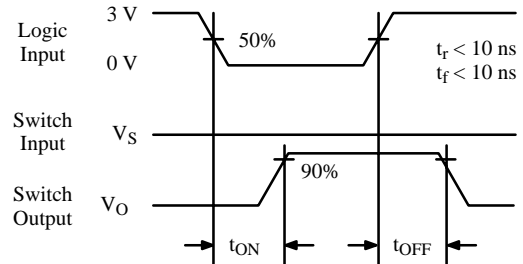
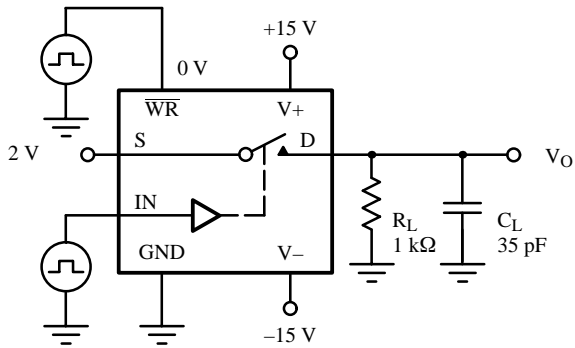


Figure 2. Switching Time



C_L (includes fixture and stray capacitance)

$$V_O = V_S \frac{R_L}{R_L + r_{DS(on)}}$$

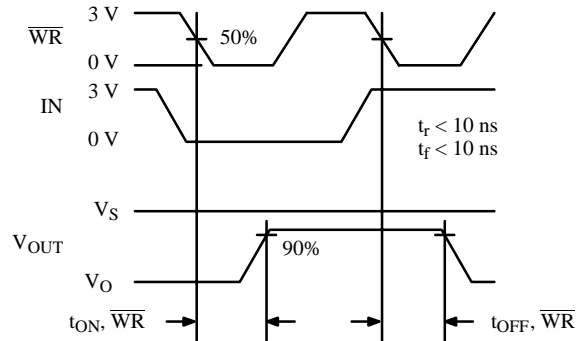
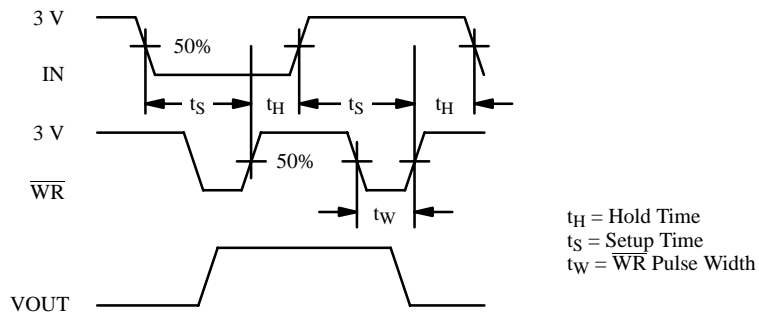


Figure 3. \overline{WR} Switching Time



t_H = Hold Time
 t_S = Setup Time
 t_W = \overline{WR} Pulse Width

The latches are level sensitive. When \overline{WR} is held low the latches are transparent and the switches respond to the digital inputs. The digital inputs are latched on the rising edge of \overline{WR} .

Figure 4. \overline{WR} Setup Conditions

Test Circuits (Cont'd)

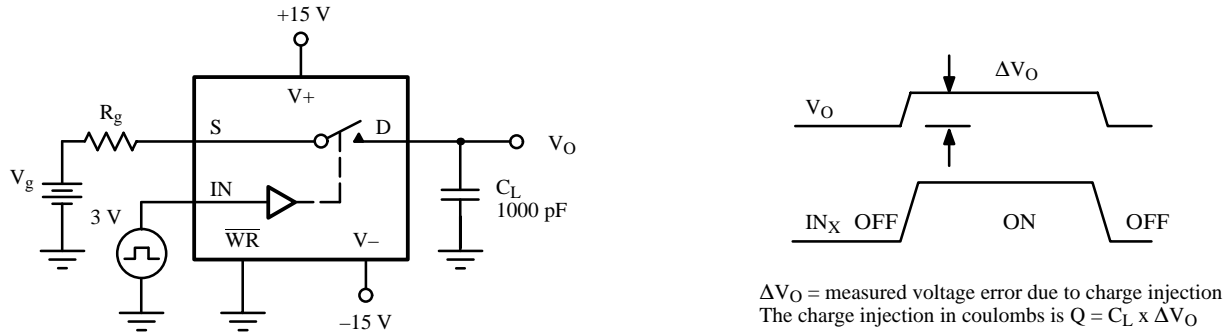


Figure 5. Charge Injection

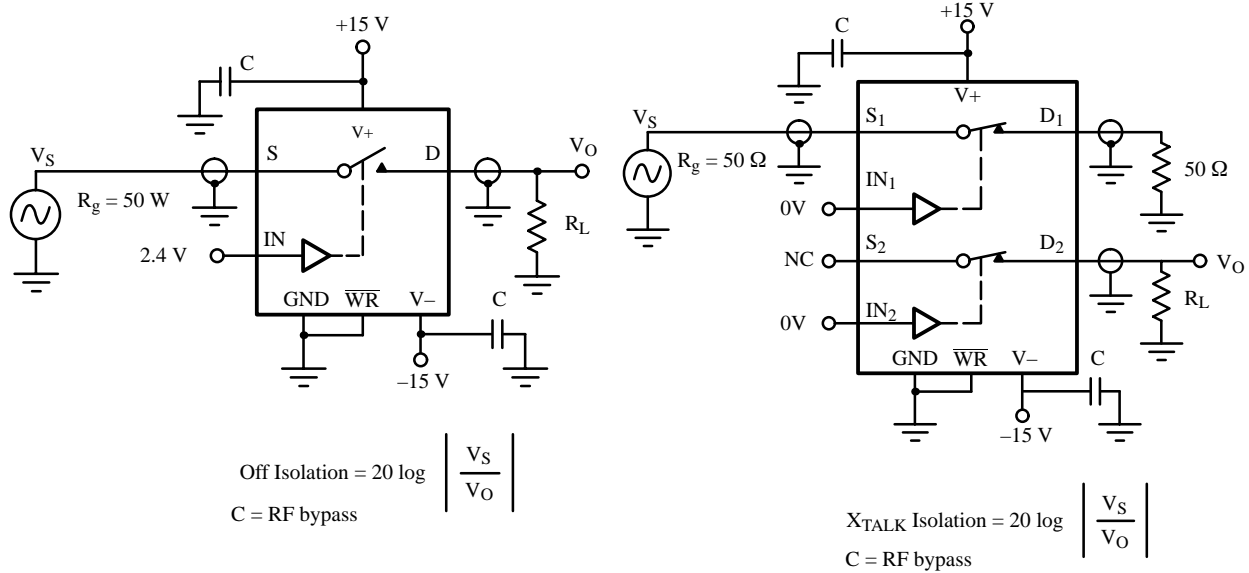


Figure 6. Off Isolation

Figure 7. Channel-to-Channel Crosstalk

Application Hints^a

V+ Positive Supply Voltage (V)	V- Negative Supply Voltage (V)	GND (V)	\overline{WR} (V)	VIN Logic Input Voltage VINH(min)/VINL(max) (V)	VS or VD Analog Voltage Range (V)
15	-15	0	2.4/0.8	2.4/0.8	-15 to 15
20	-20	0	2.4/0.8	2.4/0.8	-20 to 20
10	-10	0	2.4/0.8	2.4/0.8	-10 to 10
10	-5	0	2.4/0.8	2.4/0.8	-5 to 10

Notes:

a. Application Hints are for DESIGN AID ONLY, not guaranteed and not subject to production testing.

DG221

Applications

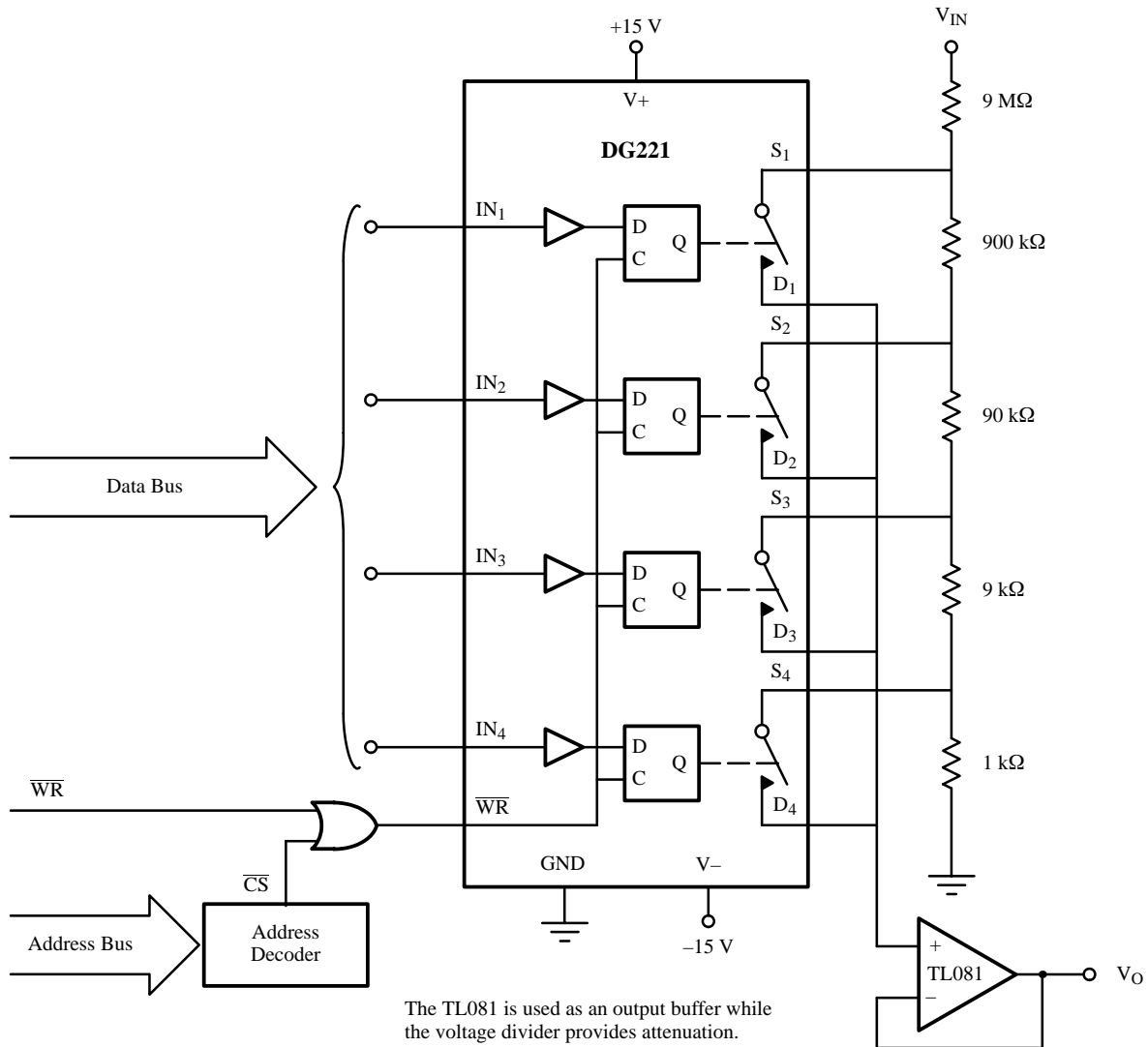


Figure 8. μ P-Controlled Analog Signal Attenuator

Truth Table

IN ₁	IN ₂	IN ₃	IN ₄	$\overline{\text{WR}}^a$	On Switch
0	0	0	0	0	All
1	1	1	1	0	None
0	1	1	1	0	1
1	0	1	1	0	2
1	1	0	1	0	3
1	1	1	0	0	4

Output Attenuation for Figure 8

WR	IN ₁	IN ₂	IN ₃	IN ₄	Gain
0	0	1	1	1	0.1
0	1	0	1	1	0.01
0	1	1	0	1	0.001
0	1	1	1	0	0.0001

Notes:

a. $\overline{\text{WR}}$ may be held at "0" for temporary operation similar to DG201A/DG201B. With $\overline{\text{WR}}$ at "0" SW₁ will remain on as long as IN₁ is held at "0".