



Surge Arrester

SM350XN

2-Electrode-Arrester

Ordering code: B88069X3811B103

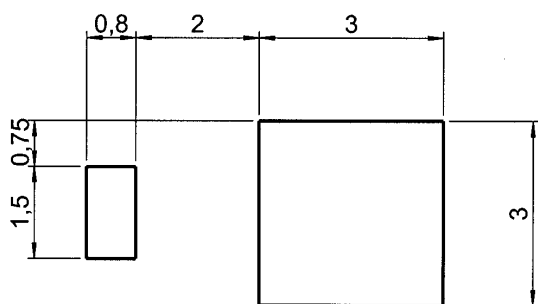
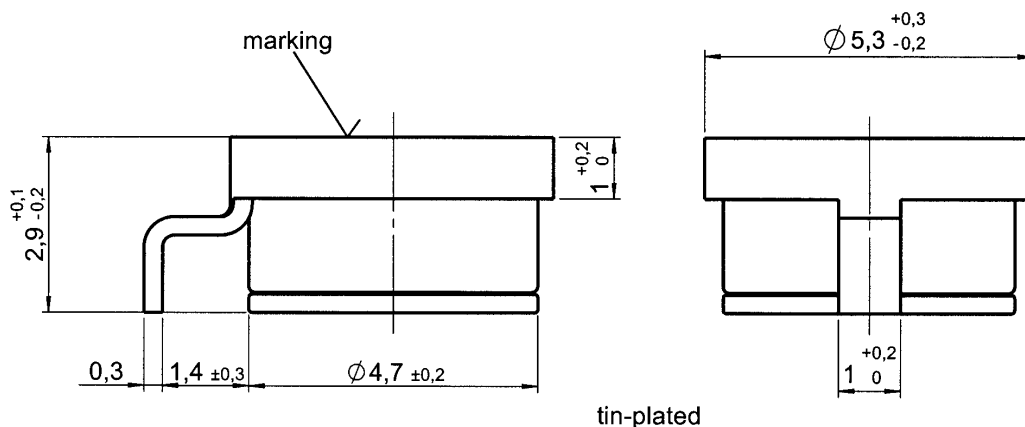
DC spark-over voltage ¹⁾²⁾	340 ... 440	V
Impulse spark-over voltage		
at 100 V/μs - for 99 % of measured values	< 550	V
- typical values of distribution	< 480	V
at 1 kV/μs - for 99 % of measured values	< 650	V
- typical values of distribution	< 580	V
Nominal impulse discharge current (wave 8/20 μs)	1.5	kA
Single impulse discharge current (wave 8/20 μs)	5	kA
Insulation resistance at 100 V _{dc}	> 1	GΩ
Capacitance at 1 MHz	< 1	pF
Arc voltage at 1 A	~ 20	V
Glow to arc transition current	< 0.5	A
Glow voltage	~ 130	V
Weight	~ 0.3	g
Operation and storage temperature	-40 ... +90	°C
Climatic category (IEC 60068-1)	40/ 90/ 21	
Marking, red	EPCOSSM 350 YY O SM - Series 350 - Nominal voltage YY - Year of production O - Non radioactive	

¹⁾ At delivery AQL 0.65 level II, DIN ISO 2859

²⁾ In ionized mode

Terms in accordance with ITU-T Rec. K.12 and DIN 57845/VDE0845





empfohlene Lötflächen /
recommended pad outline

Not to scale

Dimensions in mm

Non controlled document



中发网 WWW.ZFA.CN

全球最大的PDF中文下载站



中发网
www.zfa.cn

PDF 资料下载尽在中发网