



SAW Components

Data Sheet B7838





SAW Components

B7838

Low-Loss Filter for Mobile Communication

881,5 MHz

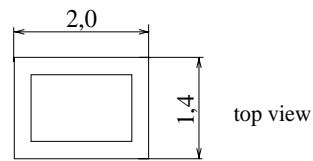
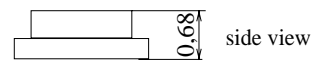
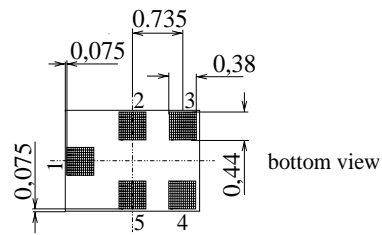
Data Sheet



Chip sized SAW package QCS5C

Features

- Low-loss RF filter for mobile telephone GSM850/AMPS system, receive path
- Usable passband 25 MHz
- Unbalanced to balanced operation
- Excellent symmetry
- Impedance transformation from 50 Ω to 100 Ω
- Suitable for GPRS class 1 to 12
- Ceramic package for **Surface Mounted Technology (SMT)**



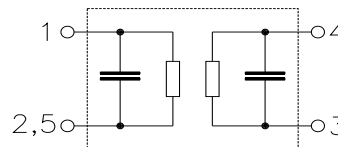
Terminals

- Ni, gold-plated

Dimensions in mm, approx. weight 0,007g

Pin configuration

- 1 Unbalanced input
- 3, 4 Balanced output
- 2, 5 To be grounded



Type	Ordering code	Marking and Package according to	Packing according to
B7838	B39881-B7838-C710	C61157-A7-A111	F61074-V8151-Z000

Electrostatic Sensitive Device (ESD)

Maximum ratings

Operable temperature range	T	- 30 / + 85	°C	Machine Model, 10 pulses peak power of GSM signal, duty cycle 4:8
Storage temperature range	T_{stg}	- 40 / + 85	°C	
DC voltage	V_{DC}	5	V	
ESD voltage	V_{ESD}	100*	V	
Input power at GSM850, GSM900, GSM1800 and GSM1900 Tx bands	P_{IN}	15	dBm	

* -acc. to JESD22-A115A (Machine Model), 10 negative & 10 positive pulses



SAW Components

B7838

Low-Loss Filter for Mobile Communication

881,5 MHz

Data Sheet



Characteristics

Operating temperature range: $T = +25\text{ °C}$
 Terminating source impedance: $Z_S = 50\ \Omega$ (unbalanced)
 Terminating load impedance: $Z_L = 100\ \Omega$ (balanced)

		min.	typ.	max.	
Center frequency	f_C	—	881,5	—	MHz
Maximum insertion attenuation	α_{max}				
869,0 ... 894,0 MHz		—	1,7	2,0	dB
Amplitude ripple (p-p)	$\Delta\alpha$				
869,0 ... 894,0 MHz		—	0,5	0,8	dB
Input return loss					
869,0 ... 894,0 MHz		10,0	11,0	—	dB
Output return loss					
869,0 ... 894,0 MHz		10,0	11,0	—	dB
Output amplitude balance (S_{31}/S_{21})					
869,0 ... 894,0 MHz		-0,5	0	0,5	dB
Output phase balance ($\phi(S_{31})-\phi(S_{21})+180^\circ$)					
869,0 ... 894,0 MHz		-5	0	5	degree
Attenuation	α				
0,0 ... 840,0 MHz		47	55	—	dB
840,0 ... 849,0 MHz		47	50	—	dB
914,0 ... 950,0 MHz		24	27	—	dB
950,0 ... 6000,0 MHz		45	55	—	dB



SAW Components

B7838

Low-Loss Filter for Mobile Communication

881,5 MHz

Data Sheet



Characteristics

Operating temperature range: $T = -30$ to $+85$ °C
 Terminating source impedance: $Z_S = 50$ Ω (unbalanced)
 Terminating load impedance: $Z_L = 100$ Ω (balanced)

			min.	typ.	max.	
Center frequency	f_C		—	881,5	—	MHz
Maximum insertion attenuation	α_{max}	869,0 ... 894,0 MHz	—	1,9	2,2	dB
Amplitude ripple (p-p)	$\Delta\alpha$	869,0 ... 894,0 MHz	—	0,7	1,0	dB
Input return loss		869,0 ... 894,0 MHz	10,0	11,0	—	dB
Output return loss		869,0 ... 894,0 MHz	10,0	11,0	—	dB
Output amplitude balance (S_{31}/S_{21})		869,0 ... 894,0 MHz	-0,5	0	0,5	dB
Output phase balance ($\phi(S_{31})-\phi(S_{21})+180^\circ$)		869,0 ... 894,0 MHz	-5	0	5	degree
Attenuation	α	0,0 ... 840,0 MHz	47	55	—	dB
		840,0 ... 849,0 MHz	40	45	—	dB
		914,0 ... 950,0 MHz	24	27	—	dB
		950,0 ... 6000,0 MHz	45	55	—	dB



SAW Components

B7838

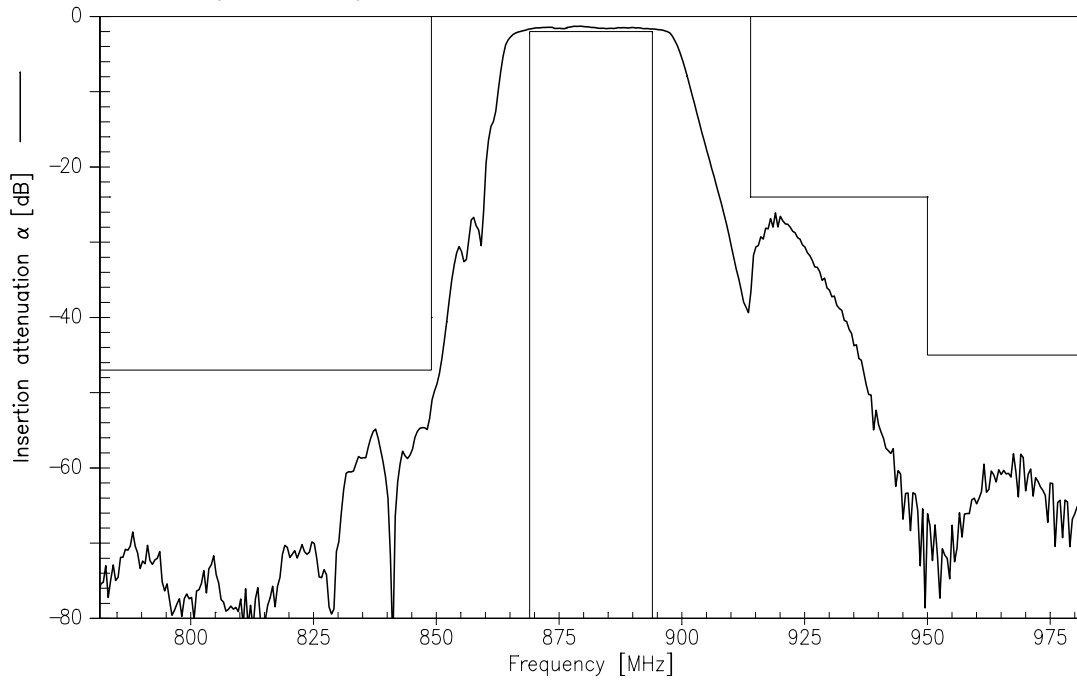
Low-Loss Filter for Mobile Communication

881,5 MHz

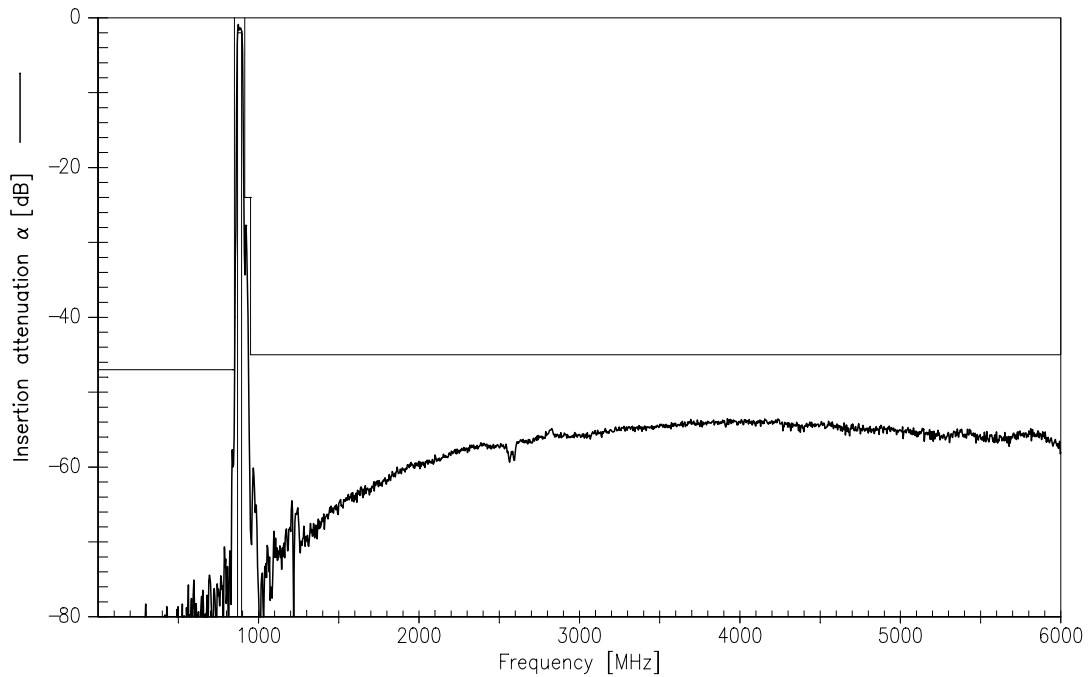
Data Sheet



Transfer function (narrowband)

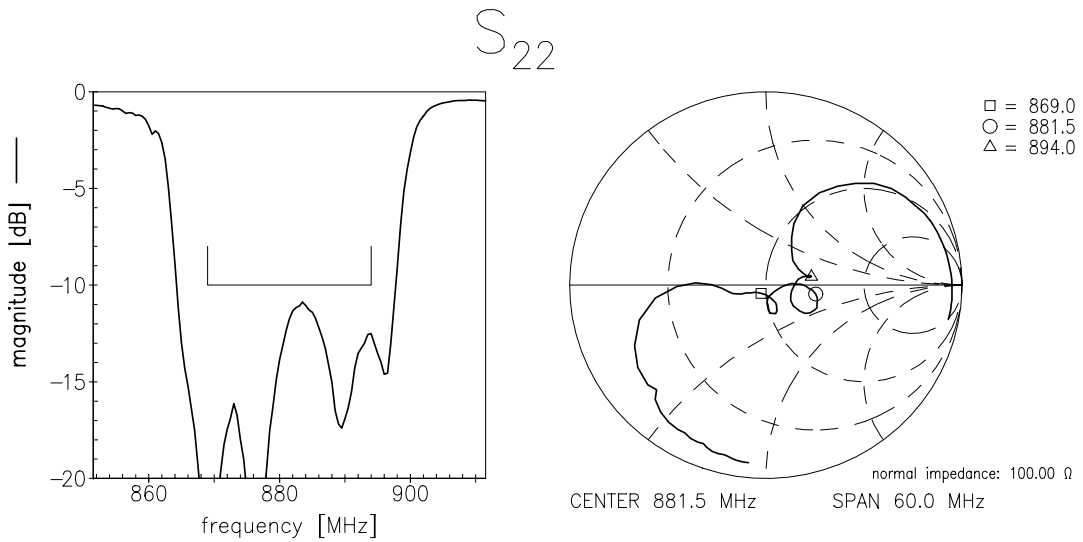
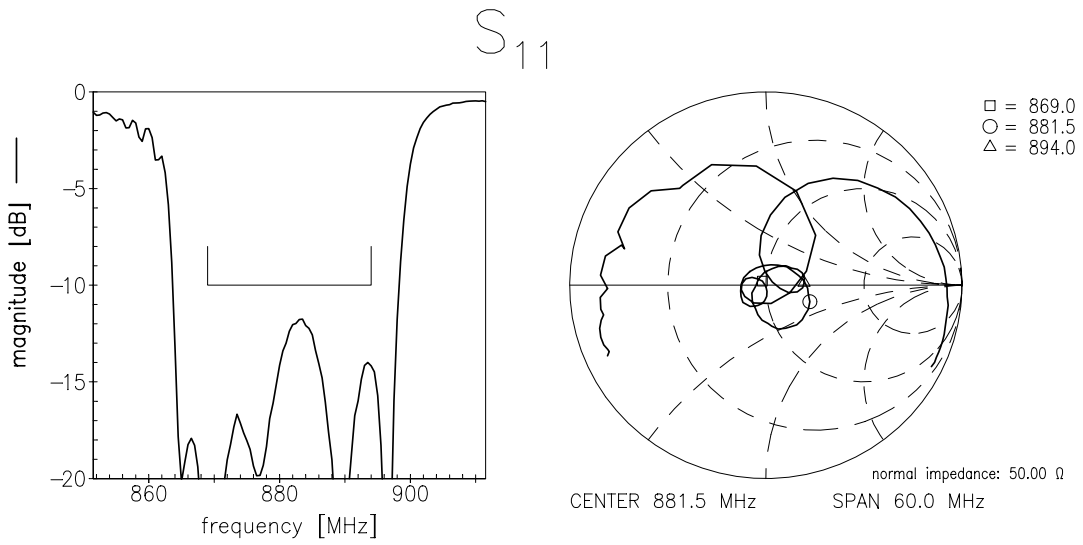


Transfer function (wideband)





Matching (measurement)





SAW Components

B7838

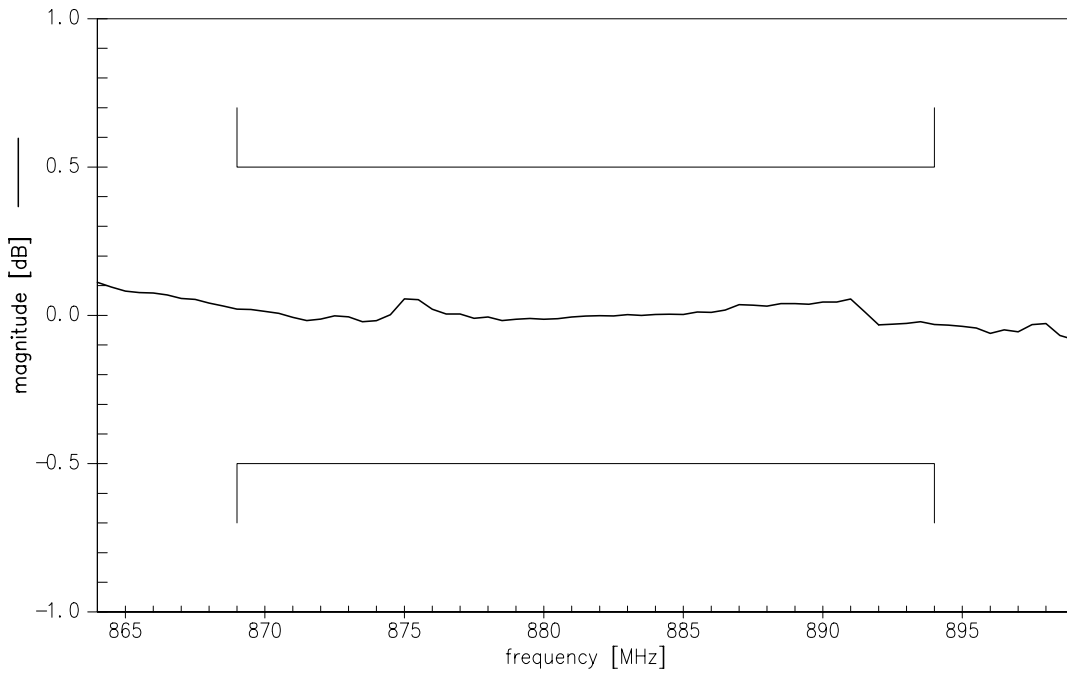
Low-Loss Filter for Mobile Communication

881,5 MHz

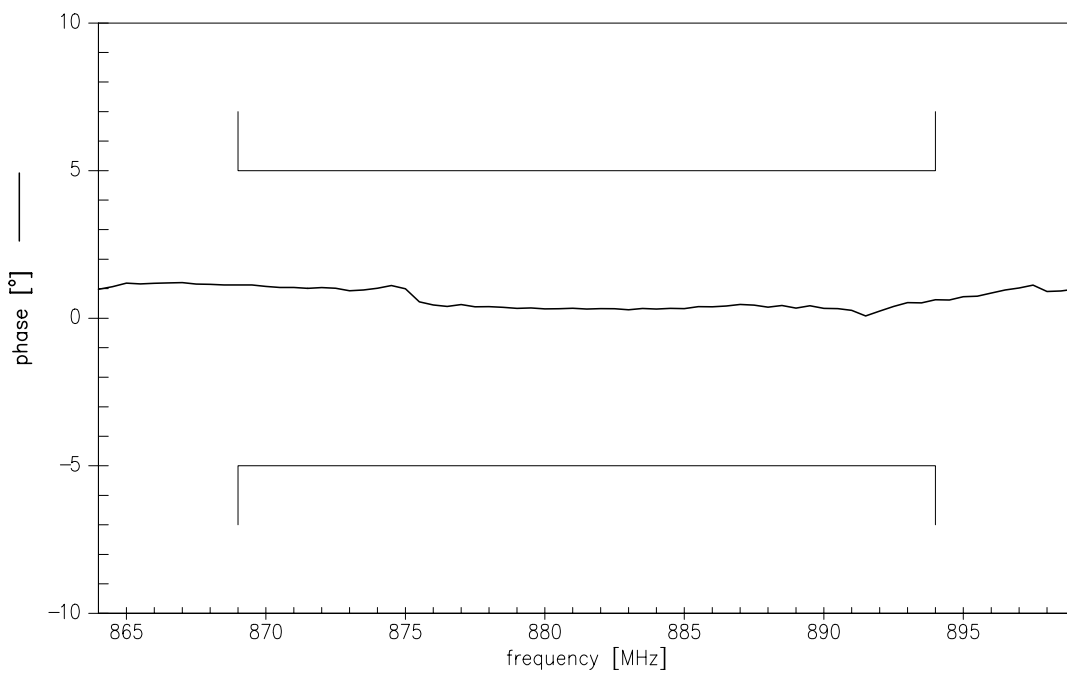
Data Sheet



Output amplitude balance ($|S_{31}/S_{21}|$)



Output phase balance ($\phi(S_{31}) - \phi(S_{21}) + 180^\circ$)





SAW Components

B7838

Low-Loss Filter for Mobile Communication

881,5 MHz

Data Sheet



Published by EPCOS AG

Surface Acoustic Wave Components Division, SAW MC PD

P.O. Box 80 17 09, 81617 Munich, GERMANY

© EPCOS AG 2004. Reproduction, publication and dissemination of this brochure and the information contained therein without EPCOS' prior express consent is prohibited.

Purchase orders are subject to the General Conditions for the Supply of Products and Services of the Electrical and Electronics Industry recommended by the ZVEI (German Electrical and Electronic Manufacturers' Association), unless otherwise agreed.

This brochure replaces the previous edition.

For questions on technology, prices and delivery please contact the Sales Offices of EPCOS AG or the international Representatives.

Due to technical requirements components may contain dangerous substances. For information on the type in question please also contact one of our Sales Offices.



中发网 WWW.ZFA.CN

全球最大的PDF中文下载站



中发网
www.zfa.cn

PDF 资料下载尽在中发网