



SAW Components

Data Sheet B7713, Pb-Free





SAW Components

B7713

Low-Loss Filter for Mobile Communication

836,5 MHz

Data Sheet



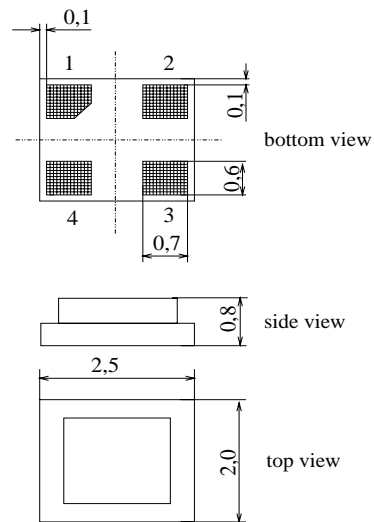
Chip Size SAW Package DCS4H

Features

- Low-loss RF filter for mobile telephone AMPS systems, transmit path
- High Rx rejection
- Usable passband 25 MHz
- Package for Surface Mounted Technology (SMT)
- Pb-Free

Terminals

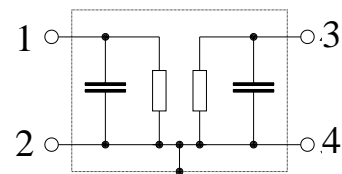
- Gold-plated Ni



Dimensions in mm, approx. weight 0,015 g

Pin configuration

- 1 Input
- 3 Output
- 2, 4 Ground



Type	Ordering code	Marking and Package according to	Packing according to
B7713	B39841-B7713-K710	C61157-A7-A136	F61074-V8189-Z000

Electrostatic Sensitive Device (ESD)

Maximum ratings

Operating temperature range	T	- 20/+ 70	°C	Machine Model, 10 pulses source impedance 50 Ω
Storage temperature range	T_{stg}	- 40/+ 85	°C	
DC voltage	V_{DC}	5	V	
ESD voltage	V^*_{ESD}	100*	V	
Input Power max.	P_{IN}	15	dBm	

* - acc. to JESD22-A115A (Machine Model), 10 negative & 10 positive pulses



SAW Components

B7713

Low-Loss Filter for Mobile Communication

836,5 MHz

Data Sheet



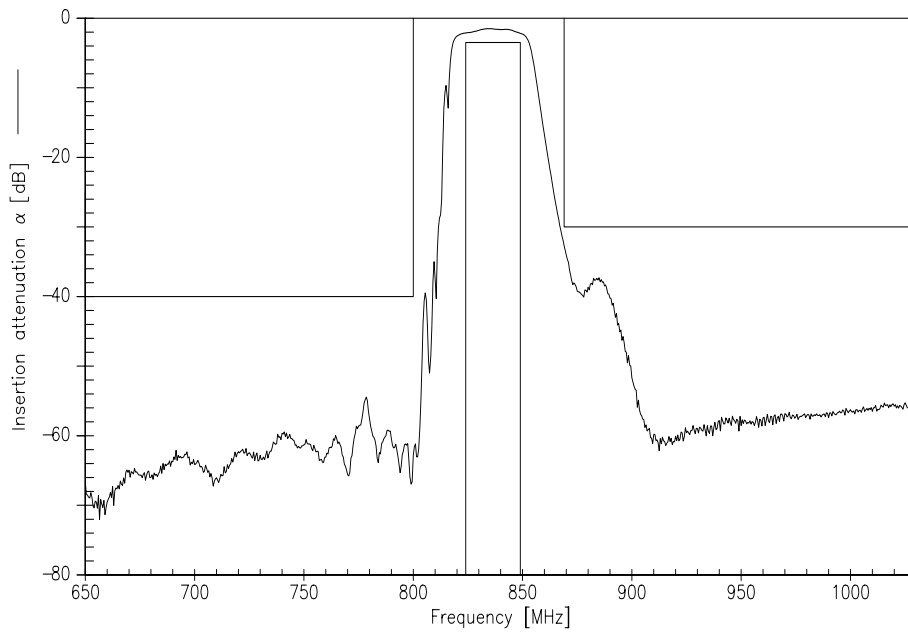
Characteristics

Operating temperature range: $T = -20$ to $+70$ °C
 Terminating source impedance: $Z_S = 50 \Omega$
 Terminating load impedance: $Z_L = 50 \Omega$

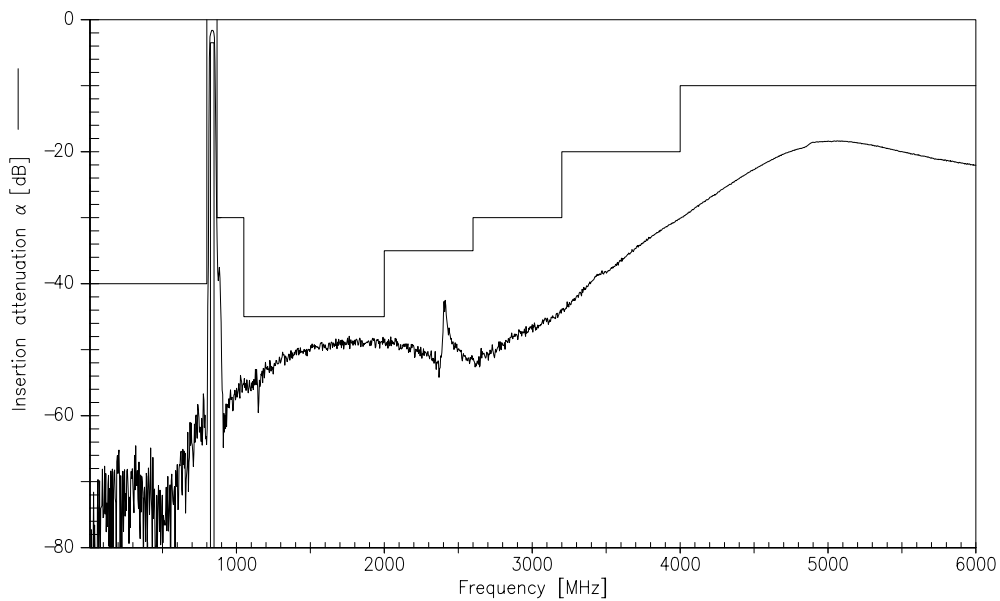
			min.	typ.	max.	
Center frequency	f_C		—	836,5	—	MHz
Maximum insertion attenuation	α_{max}	824,0 ... 849,0 MHz	—	2,5	3,5	dB
Amplitude ripple (p-p)	$\Delta\alpha$	824,0 ... 849,0 MHz	—	1,0	2,0	dB
Return loss		824,0 ... 849,0 MHz	—	12,0	10,0	dB
Attenuation	α	0,0 ... 800,0 MHz	40,0	50,0	—	dB
		869,0 ... 1050,0 MHz	30,0	32,0	—	dB
		1050,0 ... 2000,0 MHz	45,0	50,0	—	dB
		2000,0 ... 2600,0 MHz	35,0	40,0	—	dB
		2600,0 ... 3200,0 MHz	30,0	40,0	—	dB
		3200,0 ... 4000,0 MHz	20,0	25,0	—	dB
		4000,0 ... 6000,0 MHz	10,0	18,0	—	dB



Transfer function



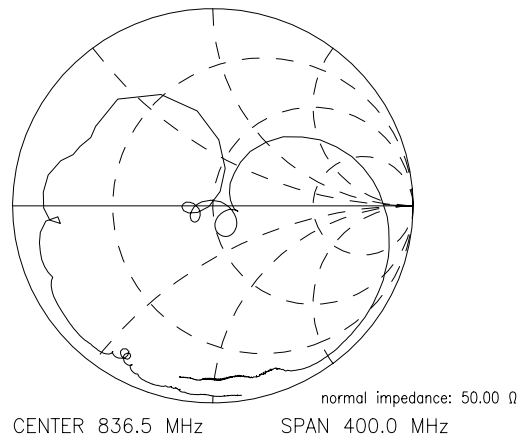
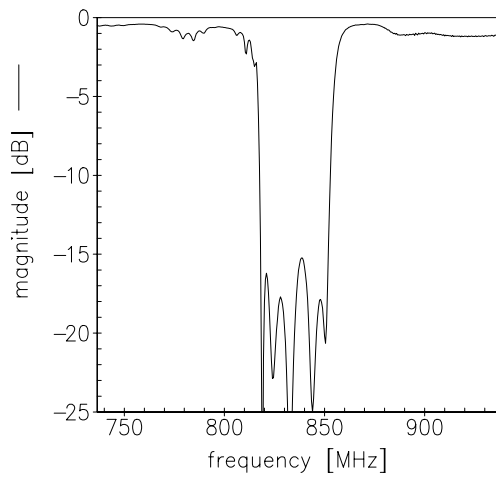
Transfer function (wideband)



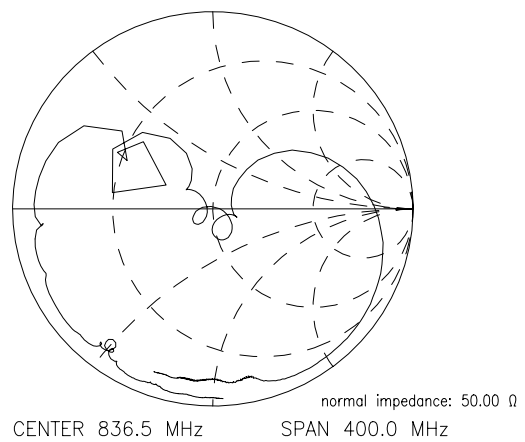
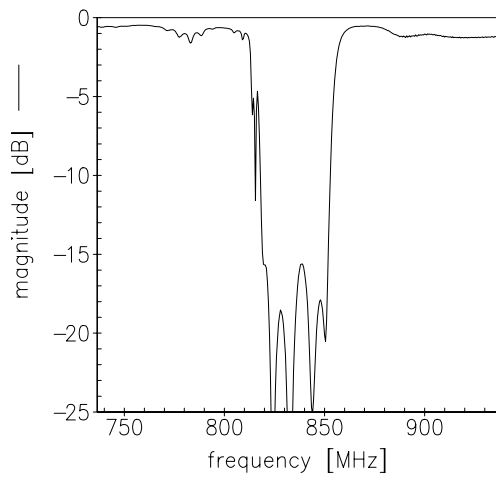


Reflection functions

S_{11}



S_{22}





SAW Components

B7713

Low-Loss Filter for Mobile Communication

836,5 MHz

Data Sheet



Published by EPCOS AG

Surface Acoustic Wave Components Division, SAW MC PD

P.O. Box 80 17 09, 81617 Munich, GERMANY

© EPCOS AG 2005. Reproduction, publication and dissemination of this brochure and the information contained therein without EPCOS' prior express consent is prohibited.

Purchase orders are subject to the General Conditions for the Supply of Products and Services of the Electrical and Electronics Industry recommended by the ZVEI (German Electrical and Electronic Manufacturers' Association), unless otherwise agreed.

This brochure replaces the previous edition.

For questions on technology, prices and delivery please contact the Sales Offices of EPCOS AG or the international Representatives.

Due to technical requirements components may contain dangerous substances. For information on the type in question please also contact one of our Sales Offices.



中发网 WWW.ZFA.CN

全球最大的PDF中文下载站



中发网
www.zfa.cn

PDF 资料下载尽在中发网