

## Leaded Varistors

### Automotive Series for 42-V Supply Systems

#### Construction

- Round varistor element, leaded
- Coating: phenolic resin
- Terminals: tinned copper wire

#### Features

- New automotive series for 42-V supply systems
- This series complies with the electrical requirements for the new 42-V board net as specified in draft standard ISO/TC22 WD42V-1E
- Stable protection level, minimum leakage current
- High resistance to cyclic temperature stress: 1 000 cycles
- High operating temperature of up to 125 °C

#### Applications

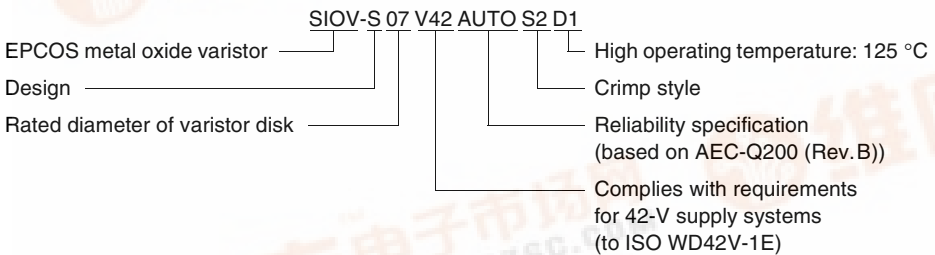
- Reliable protection from inductive voltage spikes, e. g. in wiper and air vent motors, power windows, rear mirror, power seat and other servo drives

#### Taping

- All types available on tape upon request

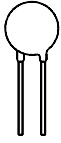
#### Type designation

Detailed description of coding system on page 39, chapter "General Technical Information"



#### General technical data

Climatic category	40/125/56	in accordance with IEC 60068-1
LCT	- 40 °C	
UCT	+ 125 °C	
Damp heat, steady state (93 % r.h., 40 °C)	56 days	in accordance with IEC 60068-2-3
Operating temperature	- 40 ... + 125 °C	in accordance with CECC 42 000
Storage temperature	- 40 ... + 150 °C	
Response time	< 25 ns	



**Leaded Varistors**  
**Automotive Series for 42-V Supply Systems**

**Maximum ratings** ( $T_A = 125\text{ °C}$ )

Type (untaped) SIOV-	Ordering code	$V_{\text{rms-op, max}}^{1)}$ $V_{\text{DC}}$	$V_{\text{op, max}}^{2)}$ $V_{\text{DC}}$	$V_{\text{max, dyn}}^{3)}$ $V_{\text{DC}}$	$W_{\text{max}}$ (2 ms) J	$P_{\text{max}}$ W
<b>42-V supply systems</b>						
S07V42AUTOS2D1	B72207S1390K201	48	50	58	3,0	0,02
S10V42AUTOS5D1	B72210S1390K501	48	50	58	6,4	0,05
S14V42AUTOS5D1	B72214S1390K501	48	50	58	13,0	0,10
S20V42AUTOS5D1	B72220S1390K501	48	50	58	37,0	0,20

**Note:**

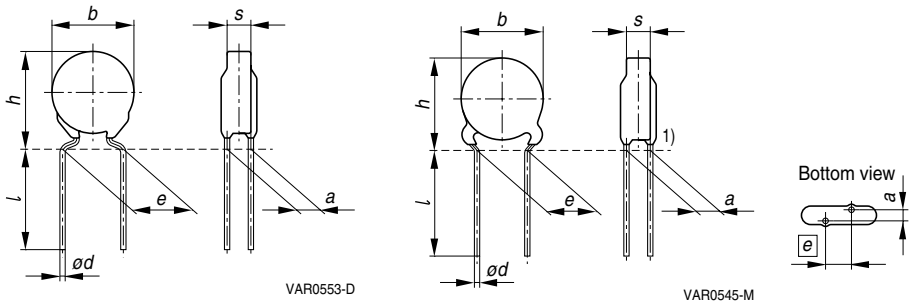
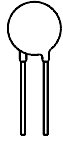
- 1) Root-mean-square value of max. DC operating voltage incl. ripple content
- 2) Peak value of max. DC operating voltage incl. ripple content
- 3) Max. dynamic overvoltage as per ISO/TC22 WD24V-1E,  $t_s \leq 400\text{ ms}$

**Characteristics** ( $T_A = 25\text{ °C}$ )

Type (untaped) SIOV-	$V_V$ (1 mA) V	$\Delta V_V$ (1 mA) %	Max. clamping voltage		$C_{\text{typ}}$ (1 kHz) nF	Derating curve Page	V/I char- acteristic Page
			v	i			
			V	A			
<b>42-V supply systems</b>							
S07V42AUTOS2D1	62	$\pm 10$	125	2,5	0,97	246	286
S10V42AUTOS5D1	62	$\pm 10$	125	5,0	2,20	248	286
S14V42AUTOS5D1	62	$\pm 10$	125	10,0	3,80	249	286
S20V42AUTOS5D1	62	$\pm 10$	125	20,0	7,30	251	286

Characteristics	Test methods	Specifications
Fast temperature cycling	IEC 60068-2-14, test Na, UCT/LCT, dwell time 15 min 1000 cycles	$ \Delta V/V (1\text{ mA})  \leq 10\%$ No visible damage
Damp heat, steady state	Based on IEC 60068-2-3, 85 °C, 85 % r.h., $V_{\text{DC}}$ , 1000 h	$ \Delta V/V (1\text{ mA}) ^{1)} \leq 10\%$ No visible damage
Max. DC operating voltage	MIL STD 202F, method 108A, UCT, $V_{\text{DC}}$ , 1000 h	$ \Delta V/V (1\text{ mA}) ^{1)} \leq 10\%$ No visible damage

1) Measured in load direction



1) Seating plane in accordance with IEC 60717

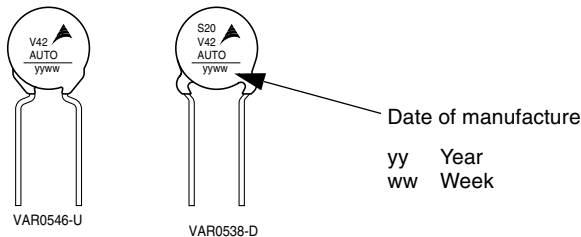
**S07V42AUTOS2D1**

**S10, S14, S20V42AUTOS5D1**

**Dimensions**

Type	$e \pm 1$ mm	$a \pm 1$ mm	$b_{max}$ mm	$s_{max}$ mm	$h_{max}$ mm	$l_{min}$ mm	$d \pm 0,05$ mm
S07V42AUTOS2D1	5,0	1,7	9,0	4,1	12,0	30,0	0,6
S10V42AUTOS5D1	7,5	2,0	12,0	4,8	15,5	30,0	0,8
S14V42AUTOS5D1	7,5	2,1	16,0	4,9	20,0	30,0	0,8
S20V42AUTOS5D1	10,0	2,3	22,0	5,5	27,0	30,0	1,0

**Typical marking (schematic representation)**



For crimp styles S2 and S5 see page 212

**Weight**

Size	approx.
S07	0,5 g
S10	1,0 g
S14	2,5 g
S20	5,0 g

Diese Broschüre ersetzt die vorige Ausgabe.

Fragen über Technik, Preise und Liefermöglichkeiten richten Sie bitte an den Ihnen nächstgelegenen oder an unsere Vertriebsgesellschaften im Ausland. Bauelemente können aufgrund technischer Erfordernisse nicht lieferbar sein. Ersatzteile können aufgrund technischer Erfordernisse nicht lieferbar sein. Auskünfte darüber bitten wir unter Angabe des betreffenden Typs ebenfalls über die zuständige Vertriebsgesellschaft zu erhalten.

**Published by EPCOS AG**

**Corporate Communications, P.O. Box 80 17 09, 81617 Munich, GERMANY**

**☎ ++49 89 636 09, FAX (0 89) 636-2 26 89**

© EPCOS AG 2002. Reproduction, publication and dissemination of this brochure and the information contained herein without EPCOS' prior express consent is prohibited.

Purchase orders are subject to the General Conditions for the Supply of Products and Services of the Electrical and Electronic Industry recommended by the ZVEI (German Electrical and Electronic Manufacturers' Association), unless otherwise stated.

This brochure replaces the previous edition.

For questions on technology, prices and delivery please contact the Sales Offices of EPCOS AG or the representatives of the nearest sales office.

Due to technical requirements components may contain dangerous substances. For information on the handling of these substances also contact one of our Sales Offices.



中发网 WWW.ZFA.CN

全球最大的PDF中文下载站



**中发网**  
www.zfa.cn

**PDF 资料下载尽在中发网**