



STGP10NC60KD - STGF10NC60KD STGB10NC60KD

N-CHANNEL 10A - 600V - TO-220/TO-220FP/D²PAK
SHORT CIRCUIT RATED PowerMESH™ IGBT

Table 1: General Features

TYPE	V _{CE(S)}	V _{CE(sat)} (Max) @25°C	I _c @100°C
STGB10NC60KD	600 V	< 2.5 V	10 A
STGF10NC60KD	600 V	< 2.5 V	6 A
STGP10NC60KD	600 V	< 2.5 V	10 A

- LOWER ON-VOLTAGE DROP (V_{cesat})
- OFF LOSSES INCLUDE TAIL CURRENT
- LOWER C_{RES} / C_{IES} RATIO
- SWITCHING LOSSES INCLUDE DIODE RECOVERY ENERGY
- VERY SOFT ULTRA FAST RECOVERY ANTIPARALLEL DIODE
- NEW GENERATION PRODUCTS WITH TIGHTER PARAMETER DISTRIBUTION

DESCRIPTION

Using the latest high voltage technology based on a patented strip layout, STMicroelectronics has designed an advanced family of IGBTs, the PowerMESH™ IGBTs, with outstanding performances. The suffix "K" identifies a family optimized for high frequency motor control applications with short circuit withstand capability.

APPLICATIONS

- HIGH FREQUENCY MOTOR CONTROLS
- SMPS and PFC IN BOTH HARD SWITCH AND RESONANT TOPOLOGIES
- MOTOR DRIVERS

Figure 1: Package

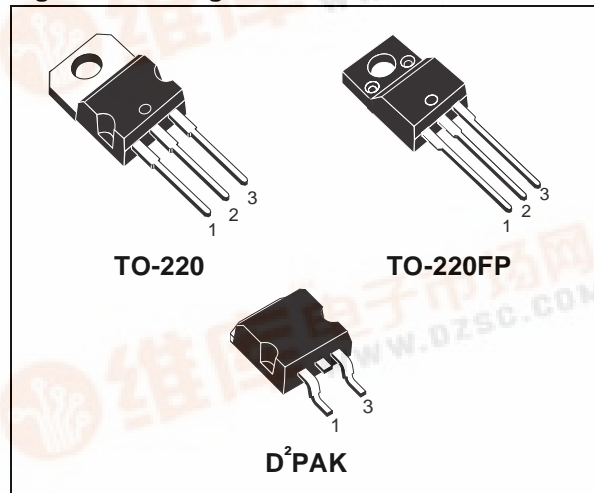


Figure 2: Internal Schematic Diagram

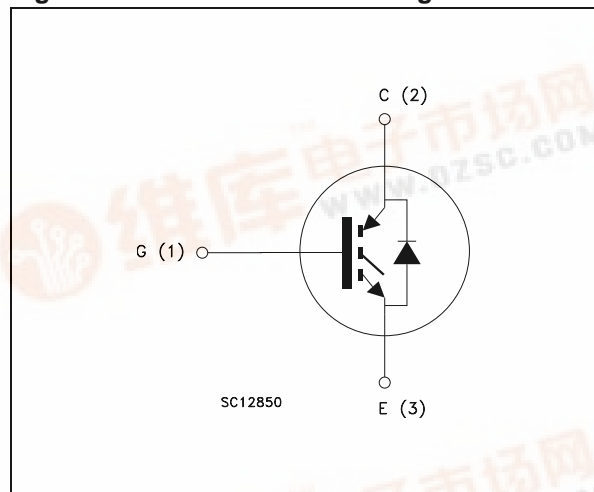


Table 2: Order Codes

SALES TYPE	MARKING	PACKAGE	PACKAGING
STGB10NC60KDT4	GB10NC60KD	D ² PAK	TAPE & REEL
STGF10NC60KD	GF10NC60KD	TO-220FP	TUBE
STGP10NC60KD	GP10NC60KD	TO-220	TUBE

STGP10NC60KD - STGB10NC60KD - STGF10NC60KD

Table 3: Absolute Maximum ratings

Symbol	Parameter	Value		Unit
		STGB10NC60KD STGP10NC60KD	STGF10NC60KD	
V _{CES}	Collector-Emitter Voltage (V _{GS} = 0)	600		V
V _{ECR}	Emitter-Collector Voltage	20		V
V _{GE}	Gate-Emitter Voltage	±20		V
I _C	Collector Current (continuous) at T _C = 25°C (#)	20	9	A
I _C	Collector Current (continuous) at T _C = 100°C (#)	10	6	A
I _{CM} (■)	Collector Current (pulsed)	40		A
I _F	Diode RMS Forward Current at T _C = 25°C	10		A
P _{TOT}	Total Dissipation at T _C = 25°C	60	25	W
	Derating Factor	0.48	0.20	W/°C
V _{ISO}	Insulation Withstand Voltage A.C.(t = 1 sec; T _c = 25°C)	--	2500	V
T _{stg}	Storage Temperature	- 55 to 150		°C
T _j	Operating Junction Temperature			

(■)Pulse width limited by max. junction temperature.

Table 4: Thermal Data

			Min.	Typ.	Max.	
R _{thj-case}	Thermal Resistance Junction-case	TO-220 D2PAK			2.08	°C/W
		TO-220FP			5.0	°C/W
R _{thj-amb}	Thermal Resistance Junction-ambient				62.5	°C/W
T _L	Maximum Lead Temperature for Soldering Purpose (1.6 mm from case, for 10 sec.)			300		°C

ELECTRICAL CHARACTERISTICS (T_{CASE} =25°C UNLESS OTHERWISE SPECIFIED)

Table 5: Main Parameters

Symbol	Parameter	Test Conditions	Min.	Typ.	Max.	Unit
V _{BR(CES)}	Collector-Emitter Breakdown Voltage	I _C = 1 mA, V _{GE} = 0	600			V
I _{CES}	Collector cut-off Current (V _{GE} = 0)	V _{CE} = Max Rating, T _C = 25°C V _{CE} =Max Rating, T _C = 125°C			10 1	µA mA
I _{GES}	Gate-Emitter Leakage Current (V _{CE} = 0)	V _{GE} = ±20V , V _{CE} = 0			±100	nA
V _{GE(th)}	Gate Threshold Voltage	V _{CE} = V _{GE} , I _C = 250 µA	5		7	V
V _{CE(sat)}	Collector-Emitter Saturation Voltage	V _{GE} = 15V, I _C = 5A V _{GE} = 15V, I _C = 5A, T _C = 125°C		2 1.8	2.5	V V

(#) Calculated according to the iterative formula:

$$I_C(T_C) = \frac{T_{JMAX} - T_C}{R_{THJ-C} \times V_{CESAT(MAX)}(T_C, I_C)}$$

STGP10NC60KD - STGB10NC60KD - STGF10NC60KD

ELECTRICAL CHARACTERISTICS (CONTINUED)

Table 6: Dynamic

Symbol	Parameter	Test Conditions	Min.	Typ.	Max.	Unit
$g_{fs(1)}$	Forward Transconductance	$V_{CE} = 15\text{ V}, I_C = 5\text{ A}$		15		S
C_{ies} C_{oes} C_{res}	Input Capacitance Output Capacitance Reverse Transfer Capacitance	$V_{CE} = 25\text{ V}, f = 1\text{ MHz}, V_{GE} = 0$		380 46 8.5		pF pF pF
Q_g Q_{ge} Q_{gc}	Total Gate Charge Gate-Emitter Charge Gate-Collector Charge	$V_{CE} = 390\text{ V}, I_C = 5\text{ A},$ $V_{GE} = 15\text{ V},$ (see Figure 20)		19 5 9		nC nC nC
t_{scw}	Short Circuit Withstand Time	$V_{CE} = 0.5 V_{BR(CES)}, T_j = 125^\circ\text{C}$ $R_G = 10\ \Omega, V_{GE} = 12\text{ V}$	10			μs

Table 7: Switching On

Symbol	Parameter	Test Conditions	Min.	Typ.	Max.	Unit
$t_{d(on)}$ t_r $(di/dt)_{on}$	Turn-on Delay Time Current Rise Time Turn-on Current Slope	$V_{CC} = 390\text{ V}, I_C = 5\text{ A}$ $R_G = 10\ \Omega, V_{GE} = 15\text{ V}, T_j = 25^\circ\text{C}$ (see Figure 18)		17 6 655		ns ns A/ μs
$t_{d(on)}$ t_r $(di/dt)_{on}$	Turn-on Delay Time Current Rise Time Turn-on Current Slope	$V_{CC} = 390\text{ V}, I_C = 5\text{ A}$ $R_G = 10\ \Omega, V_{GE} = 15\text{ V}, T_j = 125^\circ\text{C}$ (see Figure 18)		16.5 6.5 575		ns ns A/ μs

Table 8: Switching Off

Symbol	Parameter	Test Conditions	Min.	Typ.	Max.	Unit
$t_r(V_{off})$ $t_{d(off)}$ t_f	Off Voltage Rise Time Turn-off Delay Time Current Fall Time	$V_{CC} = 390\text{ V}, I_C = 5\text{ A},$ $R_{GE} = 10\ \Omega, V_{GE} = 15\text{ V}$ $T_J = 25^\circ\text{C}$ (see Figure 18)		33 72 82		ns ns ns
$t_r(V_{off})$ $t_{d(off)}$ t_f	Off Voltage Rise Time Turn-off Delay Time Current Fall Time	$V_{CC} = 390\text{ V}, I_C = 5\text{ A},$ $R_{GE} = 10\ \Omega, V_{GE} = 15\text{ V}$ $T_j = 125^\circ\text{C}$ (see Figure 18)		60 106 136		ns ns ns

Table 9: Switching Energy

Symbol	Parameter	Test Conditions	Min.	Typ.	Max.	Unit
$E_{on(2)}$ $E_{off(3)}$ E_{ts}	Turn-on Switching Losses Turn-off Switching Losses Total Switching Losses	$V_{CC} = 390\text{ V}, I_C = 75\text{ A}$ $R_G = 10\ \Omega, V_{GE} = 15\text{ V}, T_j = 25^\circ\text{C}$ (see Figure 18)		55 85 140		μJ μJ μJ
$E_{on(2)}$ $E_{off(3)}$ E_{ts}	Turn-on Switching Losses Turn-off Switching Losses Total Switching Losses	$V_{CC} = 390\text{ V}, I_C = 5\text{ A}$ $R_G = 10\ \Omega, V_{GE} = 15\text{ V}, T_j = 125^\circ\text{C}$ (see Figure 18)		87 162 249		μJ μJ μJ

(1) Pulsed: Pulse duration = 300 μs , duty cycle 1.5%

(2) E_{on} is the turn-on losses when a typical diode is used in the test circuit in figure 2. If the IGBT is offered in a package with a co-pack diode, the co-pack diode is used as external diode. IGBTs & DIODE are at the same temperature (25°C and 125°C)

(3) Turn-off losses include also the tail of the collector current.

STGP10NC60KD - STGB10NC60KD - STGF10NC60KD**Table 10: Collector-Emitter Diode**

Symbol	Parameter	Test Conditions	Min.	Typ.	Max.	Unit
V_f	Forward On-Voltage	$I_f = 2.5 \text{ A}$ $I_f = 2.5 \text{ A}, T_j = 125 \text{ }^\circ\text{C}$		1.6 1.3	2.1	V V
t_{rr} Q_{rr} I_{rrm}	Reverse Recovery Time Reverse Recovery Charge Reverse Recovery Current	$I_f = 5 \text{ A}, V_R = 30 \text{ V},$ $T_j = 25^\circ\text{C}, di/dt = 100 \text{ A}/\mu\text{s}$ (see Figure 6)		23.5 16.5 1.4		ns nC A
t_{rr} Q_{rr} I_{rrm}	Reverse Recovery Time Reverse Recovery Charge Reverse Recovery Current	$I_f = 5 \text{ A}, V_R = 30 \text{ V},$ $T_j = 125^\circ\text{C}, di/dt = 100 \text{ A}/\mu\text{s}$ (see Figure 6)		39 39 2		ns nC A

Figure 3: Output Characteristics

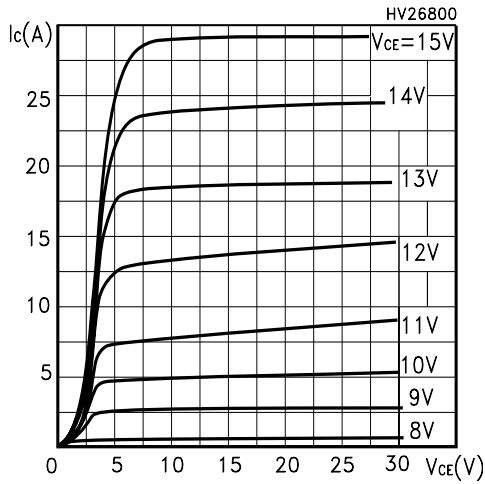


Figure 4: Transconductance

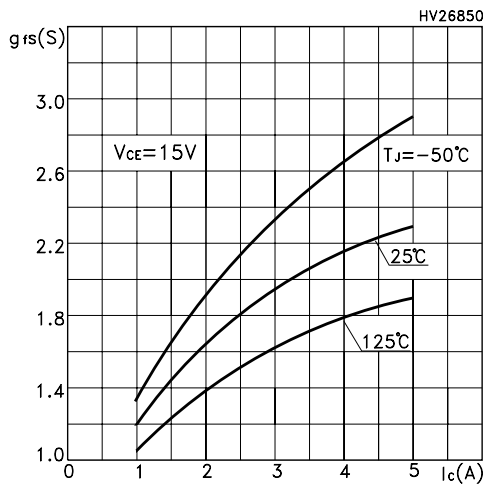


Figure 5: Collector-Emitter On Voltage vs Collector Current

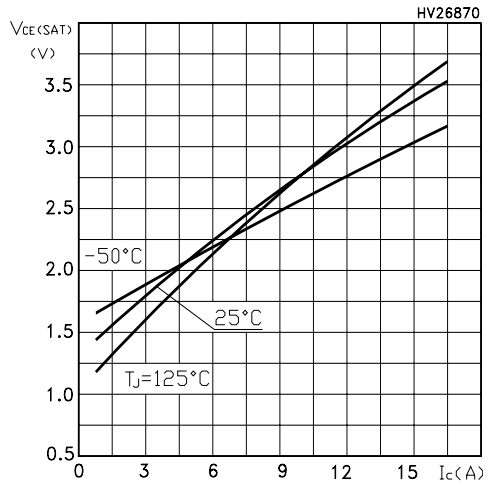


Figure 6: Transfer Characteristics

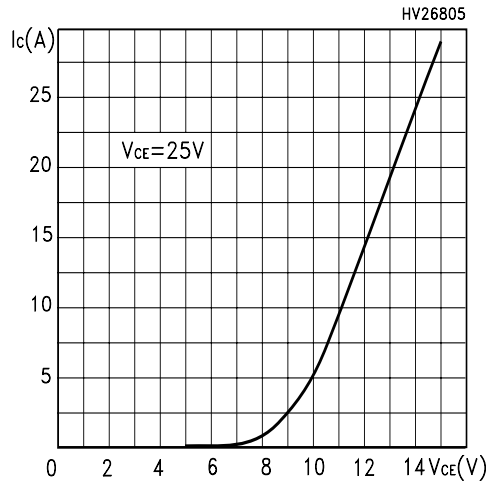


Figure 7: Collector-Emitter On Voltage vs Temperature

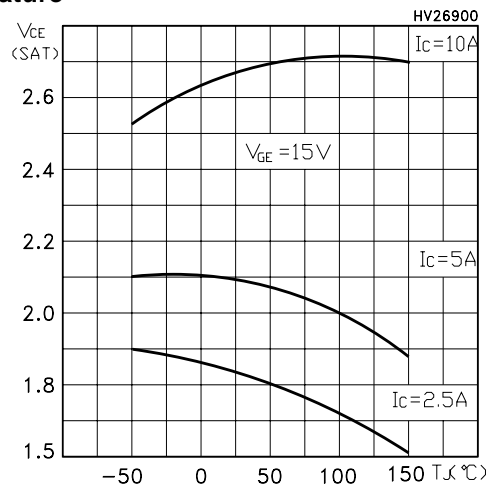
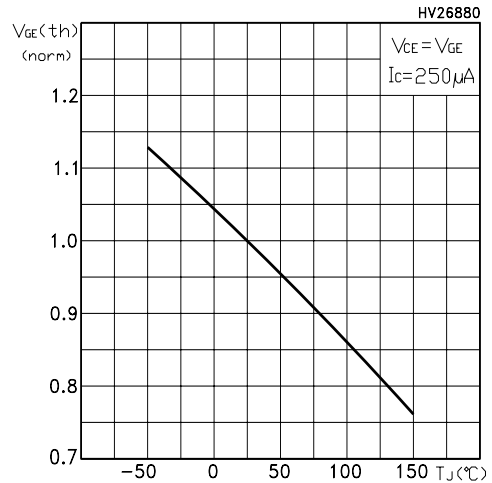


Figure 8: Normalized Gate Threshold vs Temperature



STGP10NC60KD - STGB10NC60KD - STGF10NC60KD

Figure 9: Normalized Breakdown Voltage vs Temperature

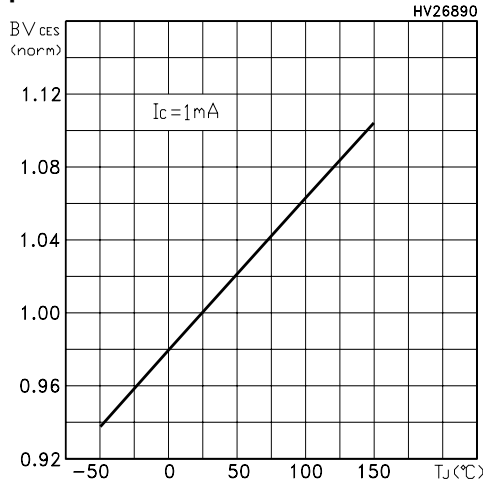


Figure 10: Capacitance Variations

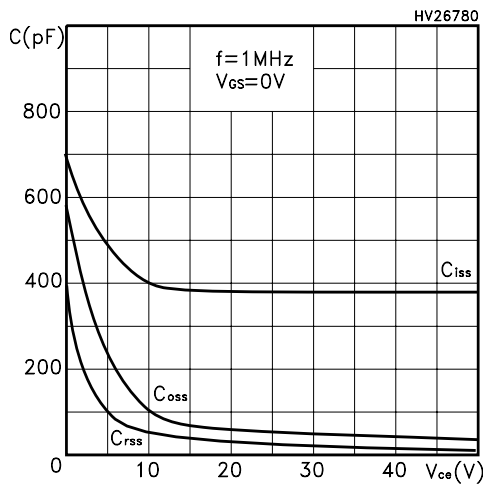


Figure 11: Total Switching Losses vs Gate Resistance

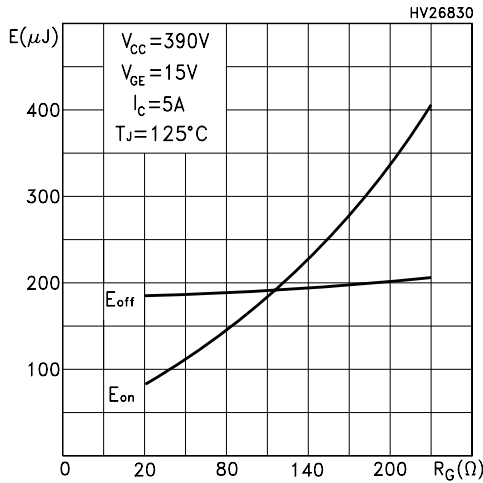


Figure 12: Gate Charge vs Gate-Emitter Voltage

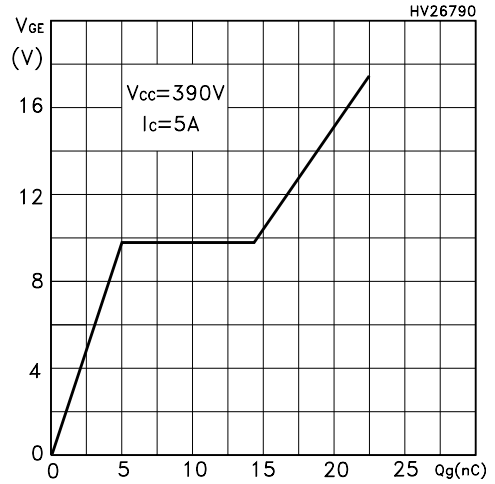


Figure 13: Total Switching Losses vs Temperature

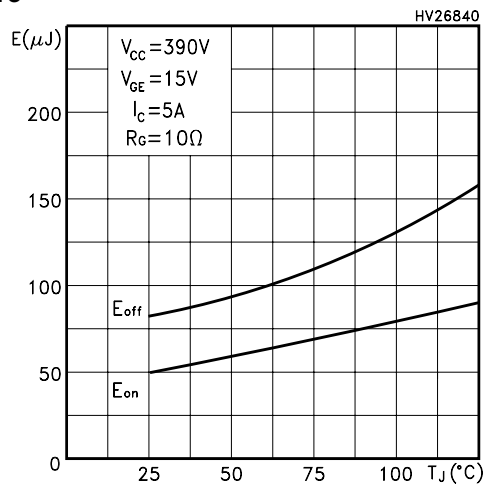


Figure 14: Total Switching Losses vs Collector Current

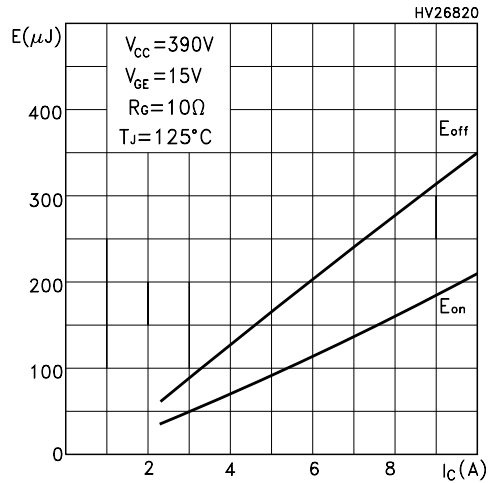


Figure 15: Turn-Off SOA

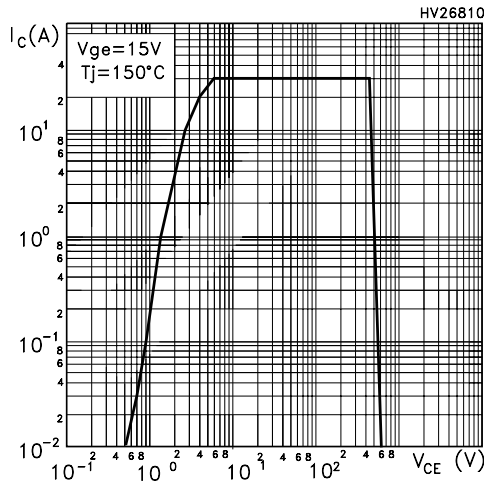


Figure 16: Thermal Impedance

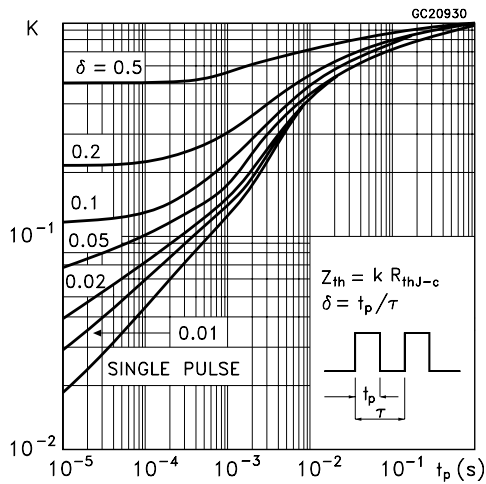
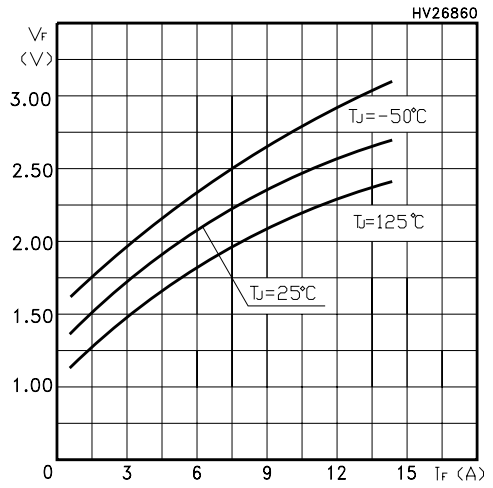


Figure 17: Emitter-Collector Diode Characteristics



STGP10NC60KD - STGB10NC60KD - STGF10NC60KD

Figure 18: Test Circuit for Inductive Load Switching

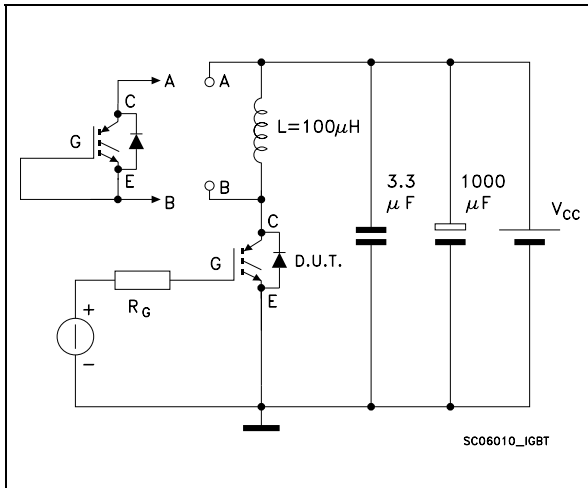


Figure 19: Switching Waveforms

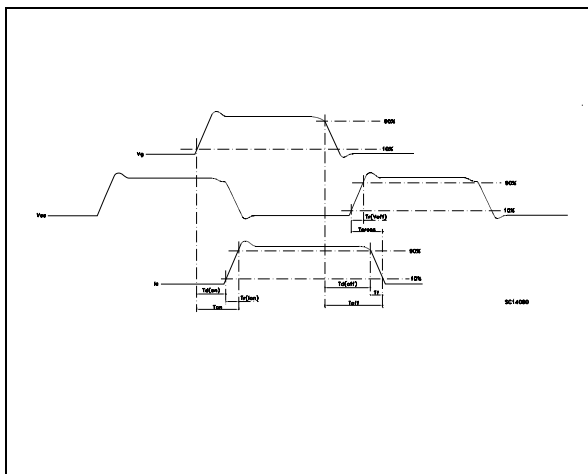


Figure 20: Gate Charge Test Circuit

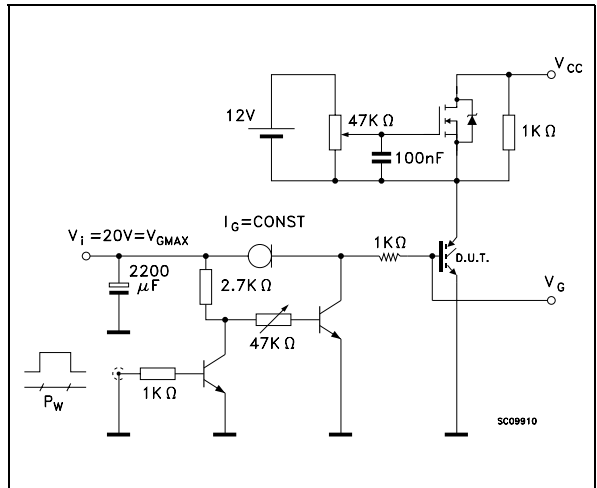
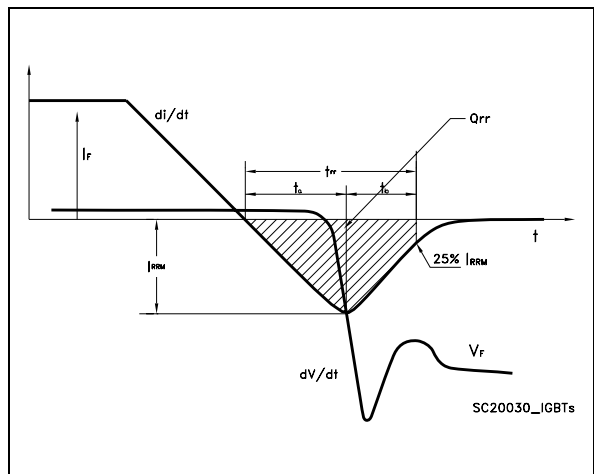


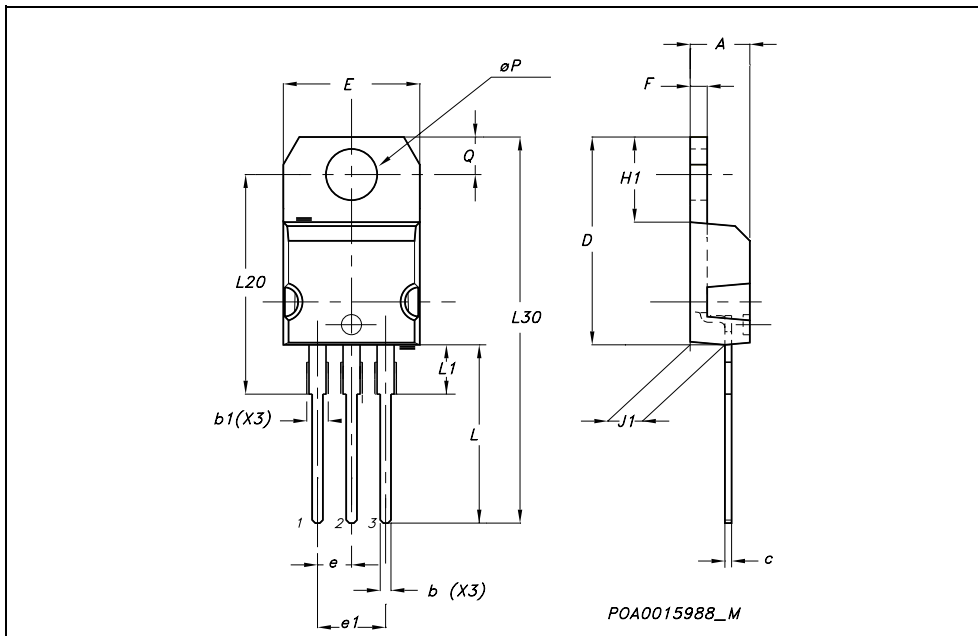
Figure 21: Diode Recovery Times Waveform



STGP10NC60KD - STGB10NC60KD - STGF10NC60KD

TO-220 MECHANICAL DATA

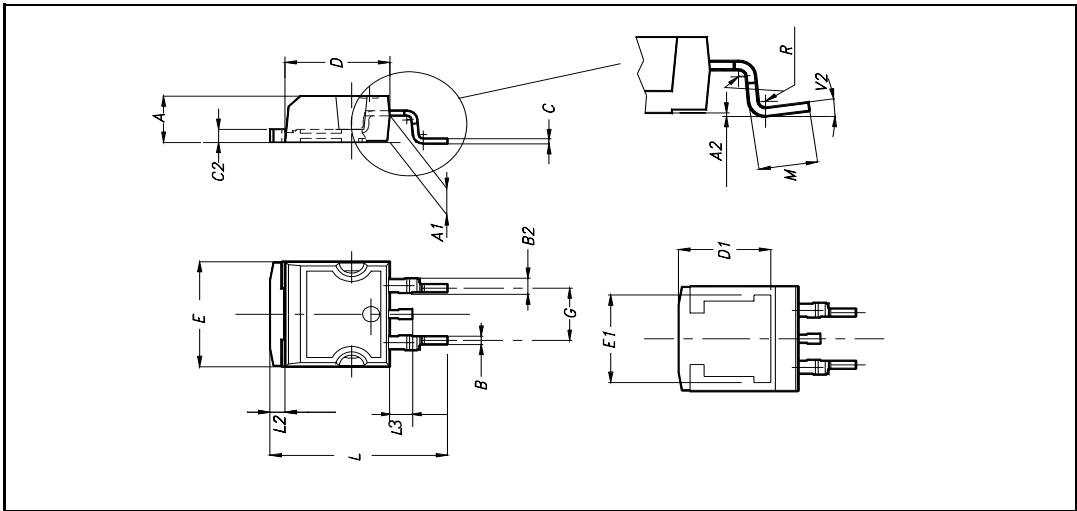
DIM.	mm.			inch		
	MIN.	TYP.	MAX.	MIN.	TYP.	MAX.
A	4.40		4.60	0.173		0.181
b	0.61		0.88	0.024		0.034
b1	1.15		1.70	0.045		0.066
c	0.49		0.70	0.019		0.027
D	15.25		15.75	0.60		0.620
E	10		10.40	0.393		0.409
e	2.40		2.70	0.094		0.106
e1	4.95		5.15	0.194		0.202
F	1.23		1.32	0.048		0.052
H1	6.20		6.60	0.244		0.256
J1	2.40		2.72	0.094		0.107
L	13		14	0.511		0.551
L1	3.50		3.93	0.137		0.154
L20		16.40			0.645	
L30		28.90			1.137	
øP	3.75		3.85	0.147		0.151
Q	2.65		2.95	0.104		0.116



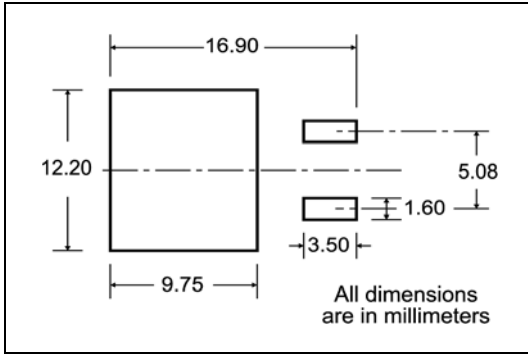
STGP10NC60KD - STGB10NC60KD - STGF10NC60KD

D²PAK MECHANICAL DATA

DIM.	mm.			inch		
	MIN.	TYP	MAX.	MIN.	TYP.	MAX.
A	4.4		4.6	0.173		0.181
A1	2.49		2.69	0.098		0.106
A2	0.03		0.23	0.001		0.009
B	0.7		0.93	0.027		0.036
B2	1.14		1.7	0.044		0.067
C	0.45		0.6	0.017		0.023
C2	1.23		1.36	0.048		0.053
D	8.95		9.35	0.352		0.368
D1		8			0.315	
E	10		10.4	0.393		
E1		8.5			0.334	
G	4.88		5.28	0.192		0.208
L	15		15.85	0.590		0.625
L2	1.27		1.4	0.050		0.055
L3	1.4		1.75	0.055		0.068
M	2.4		3.2	0.094		0.126
R		0.4			0.015	
V2	0°		4°			



D²PAK FOOTPRINT



TAPE AND REEL SHIPMENT

TAPE MECHANICAL DATA

DIM.	mm		inch	
	MIN.	MAX.	MIN.	MAX.
A0	10.5	10.7	0.413	0.421
B0	15.7	15.9	0.618	0.626
D	1.5	1.6	0.059	0.063
D1	1.59	1.61	0.062	0.063
E	1.65	1.85	0.065	0.073
F	11.4	11.6	0.449	0.456
K0	4.8	5.0	0.189	0.197
P0	3.9	4.1	0.153	0.161
P1	11.9	12.1	0.468	0.476
P2	1.9	2.1	0.075	0.082
R	50		1.574	
T	0.25	0.35	0.0098	0.0137
W	23.7	24.3	0.933	0.956

REEL MECHANICAL DATA

DIM.	mm		inch	
	MIN.	MAX.	MIN.	MAX.
A		330		12.992
B	1.5		0.059	
C	12.8	13.2	0.504	0.520
D	20.2		0.795	
G	24.4	26.4	0.960	1.039
N	100		3.937	
T		30.4		1.197

BASE QTY	BULK QTY
1000	1000

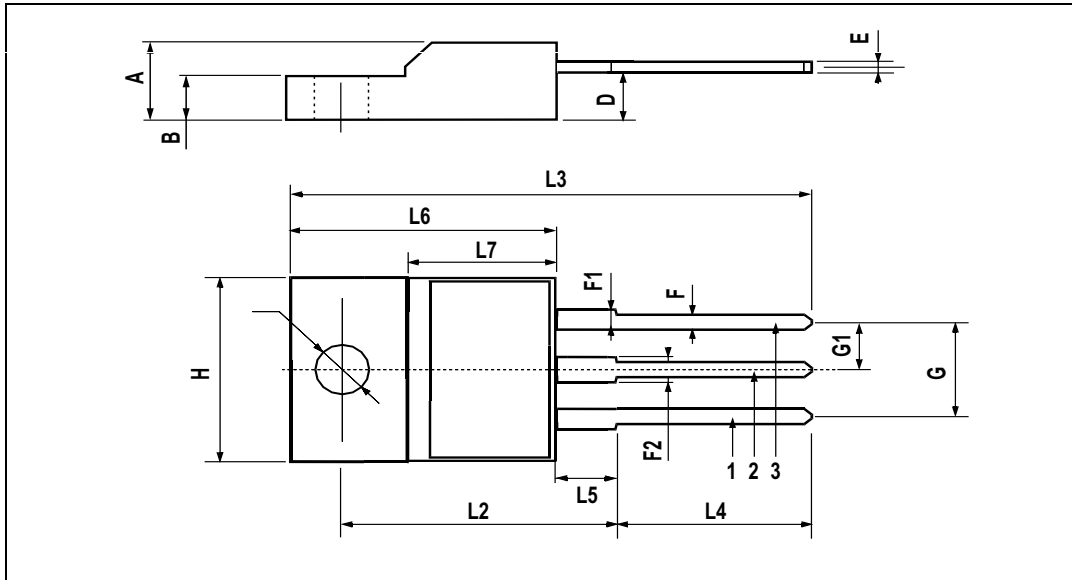
10 pitches cumulative tolerance on tape +/- 0.2 mm

* on sales type

STGP10NC60KD - STGB10NC60KD - STGF10NC60KD

TO-220FP MECHANICAL DATA

DIM.	mm.			inch		
	MIN.	TYP	MAX.	MIN.	TYP.	MAX.
A	4.4		4.6	0.173		0.181
B	2.5		2.7	0.098		0.106
D	2.5		2.75	0.098		0.108
E	0.45		0.7	0.017		0.027
F	0.75		1	0.030		0.039
F1	1.15		1.7	0.045		0.067
F2	1.15		1.7	0.045		0.067
G	4.95		5.2	0.195		0.204
G1	2.4		2.7	0.094		0.106
H	10		10.4	0.393		0.409
L2		16			0.630	
L3	28.6		30.6	1.126		1.204
L4	9.8		10.6	.0385		0.417
L5	2.9		3.6	0.114		0.141
L6	15.9		16.4	0.626		0.645
L7	9		9.3	0.354		0.366
Ø	3		3.2	0.118		0.126



STGP10NC60KD - STGB10NC60KD - STGF10NC60KD

Figure 22: Revision History

Date	Revision	Description of Changes
14-Jun-2005	1	New release
19-Jul-2005	2	Complete version

STGP10NC60KD - STGB10NC60KD - STGF10NC60KD

Information furnished is believed to be accurate and reliable. However, STMicroelectronics assumes no responsibility for the consequences of use of such information nor for any infringement of patents or other rights of third parties which may result from its use. No license is granted by implication or otherwise under any patent or patent rights of STMicroelectronics. Specifications mentioned in this publication are subject to change without notice. This publication supersedes and replaces all information previously supplied. STMicroelectronics products are not authorized for use as critical components in life support devices or systems without express written approval of STMicroelectronics.

The ST logo is a registered trademark of STMicroelectronics

All other names are the property of their respective owners

© 2005 STMicroelectronics - All Rights Reserved

STMicroelectronics group of companies

Australia - Belgium - Brazil - Canada - China - Czech Republic - Finland - France - Germany - Hong Kong - India - Israel - Italy - Japan - Malaysia - Malta - Morocco - Singapore - Spain - Sweden - Switzerland - United Kingdom - United States of America