

AN1403 Application Note

FACT™ I/O Model Kit

Prepared by
Willard Tu
FACT Applications Engineering

This application note provides the SPICE information necessary to allow the customer to perform system level interconnect modelling for the Motorola FACT logic family. It is not intended for the purpose of performing extensive device modelling.

FACT is a trademark of National Semiconductor Corp.

FACT I/O Model Kit

Objective

The objective of providing a spice modelling kit is to allow the customer to perform system level interconnect modelling for the Motorola FACT logic family. It is not intended for the purpose of performing extensive device modelling.

Schematic Information

The kit contains representative circuit schematics of the different I/O structures and a worst case package model schematic used in the FACT family.

Input Structures

There are three basic variations of the input structures (Figures 1, 2, and 3). In all of the schematics the clamping diodes are shown and the appropriate PMOS:NMOS ratios of the inverter stage. Actual MOS gate sizes may vary but the ratio will be maintained. The variation of size is the result of custom designing each functional device for speed, which may require different build up ratios (BUR). For 74ACxxx devices both Motorola and National (second source) uses the identical Input buffer structures. However, the for 74ACTxxx devices (TTL input buffer) will vary depending on the source of the design. Once again, the appropriate P:N ratios are depicted in the figures.

Output Structure

There are two represented output structures (Figures 4, 5) one is the standard output buffer and the other is with tri-state. The size range of this standard output buffer is listed in the figure as:

P-channel (1570 – 1900)
N-channel (780 – 900)

Typically Motorola designs use a 1600/800 size output buffer.

Transistor Parameters for Typical FACT Output Buffers

1600/800 FACT Output Buffer

PMOS L=2U W=1599U AD=5192.8P AS=4504.1P
PD=1690.4U PS=1874.7U+NRD=9.375E-4 NRS=9.375E-4

NMOS L=2U W=799U AD=2596.4P AS=2502.3P
PD=845.2U PS=1041.5U+NRD=1.875E-3 NRS=1.875E-3

1900/900 FACT Output Buffer

PMOS L=2U W=1899U AD=6163.6P AS=5227.3P
PD=2013.0U PS=2181.3U+NRD=7.895E-4 NRS=7.895E-4

NMOS L=2U W=899U AD=2918.0P AS=2699.7P
PD=956.5U PS=1129.8U+NRD=1.667E-3 NRS=1.667E-3

Package Model

The package model represents the parasitics as they are seen on a corner pin GND & V_{CC} for a 20-pin plastic DIP type package (Figure 6). For 14-pin and 16-pin plastic DIP packages reduce inductance by 20% from the 20 pin model. To simulate SOIC type package reduce the inductance of the appropriate DIP model by 50%.

Spice Parameter Information

In addition to the schematics, a listing of the spice parameters for the transistors are referenced and included (Page 4). These parameters can be used for best, typical and worst case simulations.

Summary

The information included in this kit should provide the basic information necessary to do Spice level interconnect modelling. If any clarification or additional information is necessary the user is encouraged to contact the FACT Applications or Design personnel for assistance.

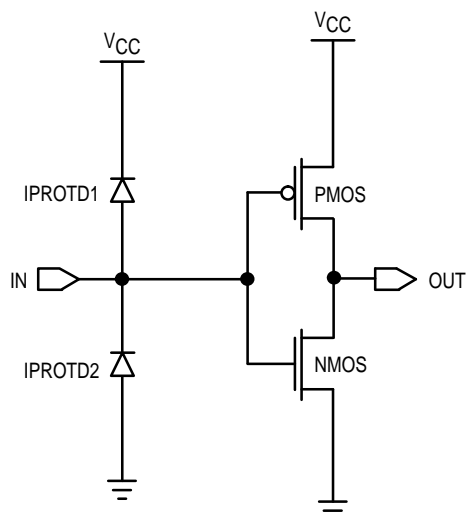
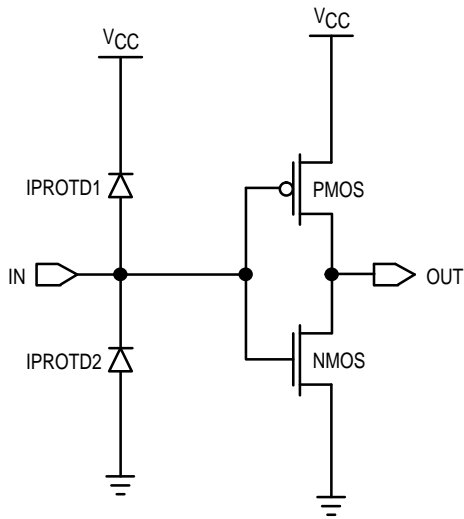
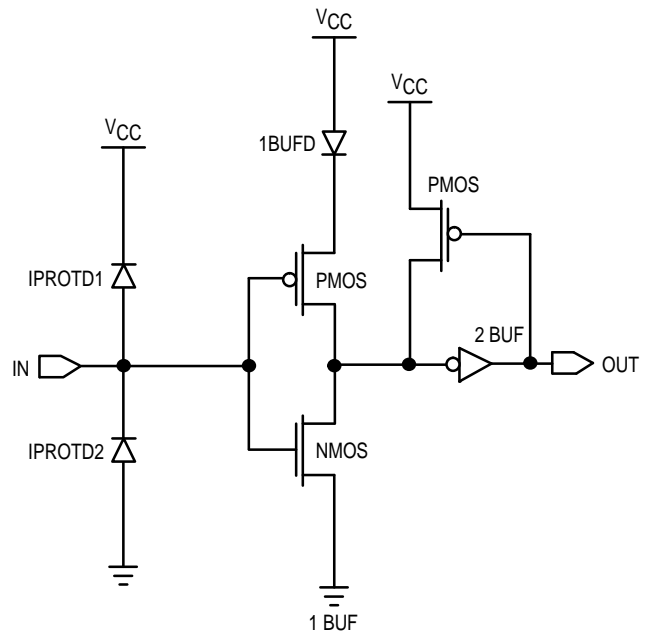


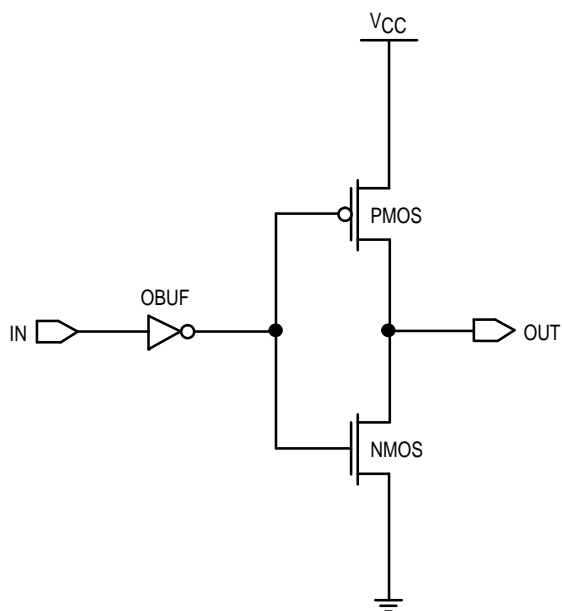
Figure 1. National/Motorola 74ACxxx
Input Buffer
P/N Ratio = 'P:N = 2.5:1'



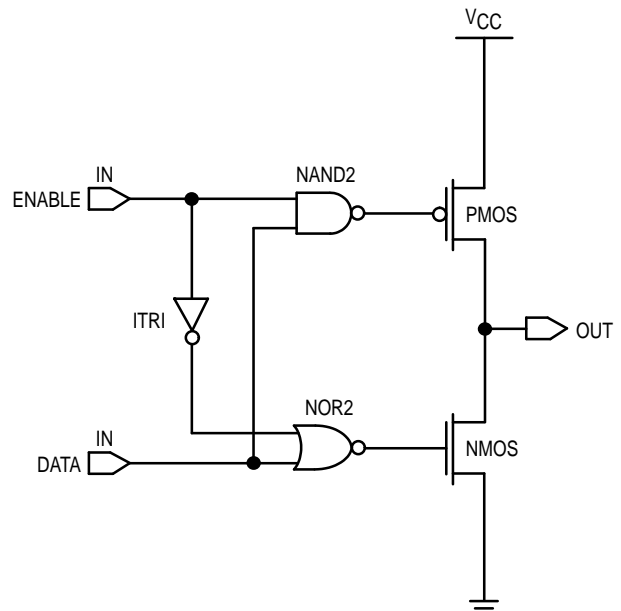
**Figure 2. National 74ACTxxx
TTL Input Buffer
P/N Ratio = 'P:N = 1:4'**



**Figure 3. Motorola 74ACTxxx
TTL Input Buffer
1 BUF P/N Ratio = 'P:N = 1:2.5'
2 BUF P/N Ratio = 'P:N = 1:1'**



**Figure 4. Standard Output Buffer
P-Channel Device Size Range (1570 → 1900)
N-Channel Device Size Range (780 → 900)**



**Figure 5. Standard Tri-State Output Buffer
P-Channel Device Size Range (1570 → 1900)
N-Channel Device Size Range (780 → 900)**

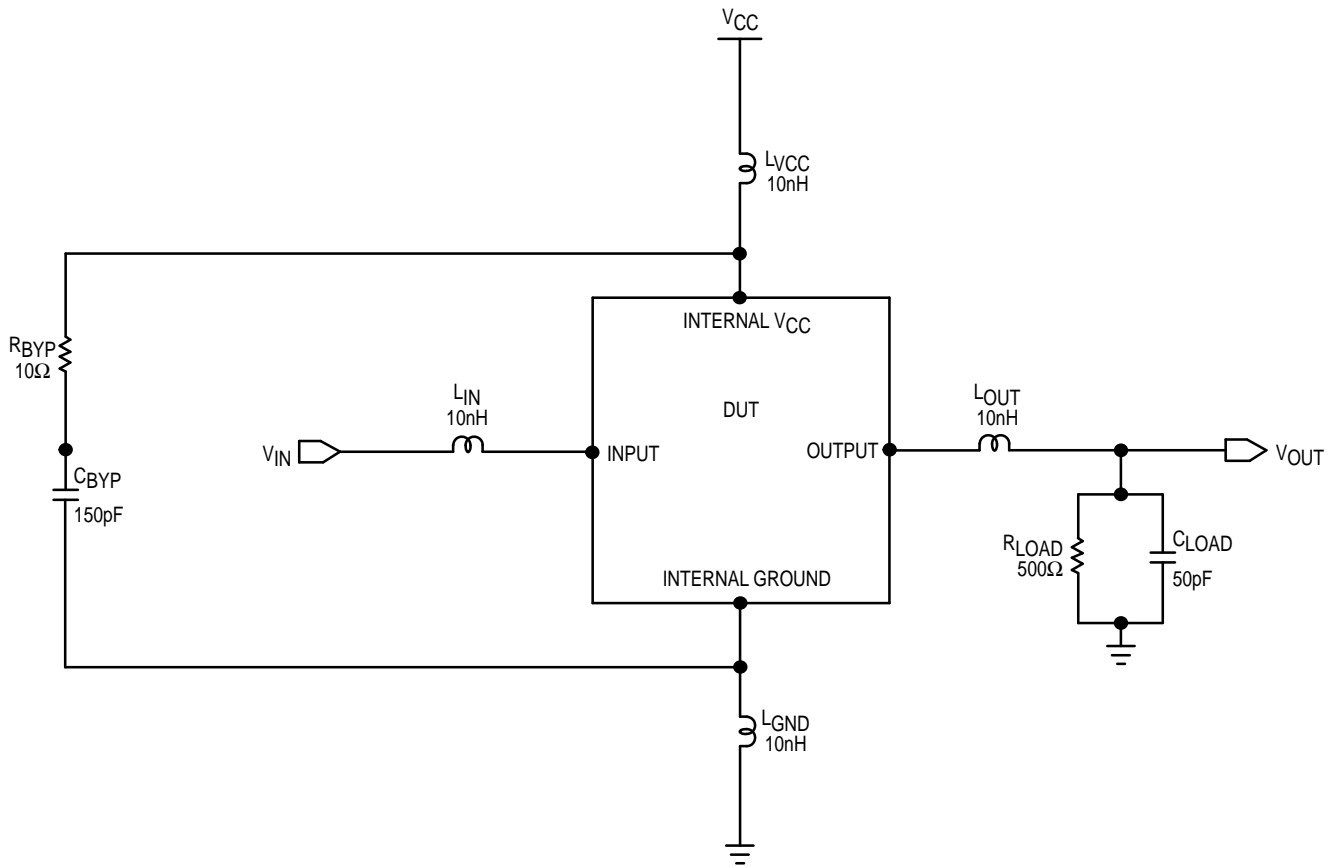


Figure 6. Package Model for FACT Circuits

MSPICE Simulation Cards

Note:

- \$BPBN – Best PMOS, Best NMOS
- \$BPWN – Best PMOS, Worst NMOS
- \$TPTN – Typical PMOS, Typical NMOS
- \$WPBN – Worst PMOS, Best NMOS
- \$WPWN – Worst PMOS, Worst NMOS

\$BPBN

```
.MODEL NMOS NMOS LEVEL=3 VTO=0.525 TOX=2.3E-8 NSUB=2.9E16
+ XJ=2.5E-7 LD=4.75E-7 UO=537.8 VMAX=1.45E5 DELTA=1.4
+ THETA=0.038 ETA=0.12 KAPPA=0.06 RSH=40 NFS=2.4E11
+ CGSO=3.5E-10 CGDO=3.5E-10 PB=0.95 CJ=5.8E-4
+ MJ=0.4 CJSW=1.1E-9 MJSW=0.36 TPG=1 XQC=0.4
```

```
.MODEL PMOS PMOS LEVEL=3 VTO=-0.55 TOX=2.3E-8 NSUB=1E16
+ XJ=3E-7 LD=4.75E-7 UO=199.7 VMAX=1.4E5 DELTA=0.75
+ THETA=0.08 ETA=0.09 KAPPA=2.5 RSH=120 NFS=1.68E11
+ CGSO=6.2E-10 CGDO=6.2E-10 PB=0.87 CJ=2.42E-4
+ MJ=0.4 CJSW=4.66E-10 MJSW=0.36 TPG=-1 XQC=0.4
```

#

\$BPWN

#

```
.MODEL PMOS PMOS LEVEL=3 VTO=-0.55 TOX=2.3E-8 NSUB=1E16
+ XJ=3E-7 LD=4.75E-7 UO=199.7 VMAX=1.4E5 DELTA=0.75
+ THETA=0.08 ETA=0.09 KAPPA=2.5 RSH=120 NFS=1.68E11
+ CGSO=6.2E-10 CGDO=6.2E-10 PB=0.87 CJ=2.42E-4
+ MJ=0.4 CJSW=4.66E-10 MJSW=0.36 TPG=-1 XQC=0.4
```

```


.MODEL NMOS NMOS LEVEL=3 VTO=0.865 TOX=2.8E-8 NSUB=2.9E16
+ XJ=2.5E-7 LD=2.25E-7 UO=537.8 VMAX=1.45E5 DELTA=1.4
+ THETA=0.038 ETA=0.12 KAPPA=0.06 RSH=60 NFS=2.4E11
+ CGSO=3.5E-10 CGDO=3.5E-10 PB=0.95 CJ=5.8E-4
+ MJ=0.4 CJSW=1.1E-9 MJSW=0.36 TPG=1 XQC=0.4
#
$TPTN
#
.MODEL NMOS NMOS LEVEL=3 VTO=0.695 TOX=2.55E-8 NSUB=2.9E16
+ XJ=2.5E-7 LD=3.5E-7 UO=537.8 VMAX=1.45E5 DELTA=1.4
+ THETA=0.038 ETA=0.12 KAPPA=0.06 RSH=41 NFS=2.4E11
+ CGSO=3.5E-10 CGDO=3.5E-10 PB=0.95 CJ=5.8E-4
+ MJ=0.4 CJSW=1.1E-9 MJSW=0.36 TPG=1 XQC=0.4

.MODEL PMOS PMOS LEVEL=3 VTO=-0.72 TOX=2.55E-8 NSUB=1E16
+ XJ=3E-7 LD=3.5E-7 UO=199.7 VMAX=1.4E5 DELTA=0.75
+ THETA=0.08 ETA=0.09 KAPPA=2.5 RSH=146 NFS=1.68E11
+ CGSO=6.2E-10 CGDO=6.2E-10 PB=0.87 CJ=2.42E-4
+ MJ=0.4 CJSW=4.66E-10 MJSW=0.36 TPG=-1 XQC=0.4
#
$WPBN
#
.MODEL NMOS NMOS LEVEL= 3 VTO=0.525 TOX=2.3E-8 NSUB=2.9E16
+ XJ=2.5E-7 LD=4.75E-7 UO=537.8 VMAX=1.45E5 DELTA =1.4
+ THETA=0.038 ETA=0.12 KAPPA=0.06 RSH=40 NFS=2.4E11
+ CGSO=3.5E-10 CGDO=3.5E-10 PB=0.95 CJ=5.8E-4
+ MJ=0.4 CJSW=1.1E-9 MJSW=0.36 TPG=1 XQC=0.4

.MODEL PMOS PMOS LEVEL=3 VTO=-0.89 TOX=2.8E-8 NSUB=1E16
+ XJ=3E-7 LD=2.25E-7 UO=199.7 VMAX=1.4E5 DELTA=0.75
+ THETA=0.08 ETA=0.09 KAPPA=2.5 RSH=160 NFS=1.68E11
+ CGSO=6.2E-10 CGDO=6.2E-10 PB=0.87 CJ=2.42E-4
+ MJ=0.4 CJSW=4.66E-10 MJSW=0.36 TPG=-1 XQC=0.4
#
$WPWN
#
.MODEL NMOS NMOS LEVEL=3 VTO=0.865 TOX=2.8E-8 NSUB=2.9E16
+ XJ=2.5E-7 LD=2.25E-7 UO=537.8 VMAX=1.45E5 DELTA=1.4
+ THETA=0.038 ETA=0.12 KAPPA=0.06 RSH=60 NFS=2.4E11
+ CGSO=3.5E-10 CGDO=3.5E-10 PB=0.95 CJ=5.8E-4
+ MJ=0.4 CJSW=1.1E-9 MJSW=0.36 TPG=1 XQC=0.4

.MODEL PMOS PMOS LEVEL=3 VTO=-0.89 TOX=2.8E-8 NSUB=1E16
+ XJ=3E-7 LD=2.25E-7 UO=199.7 VMAX=1.4E5 DELTA=0.75
+ THETA=0.08 ETA=0.09 KAPPA=2.5 RSH=160 NFS=1.68E11
+ CGSO=6.2E-10 CGDO=6.2E-10 PB=0.87 CJ=2.42E-4
+ MJ=0.4 CJSW=4.66E-10 MJSW=0.36 TPG=-1 XQC=0.4

```

Motorola reserves the right to make changes without further notice to any products herein. Motorola makes no warranty, representation or guarantee regarding the suitability of its products for any particular purpose, nor does Motorola assume any liability arising out of the application or use of any product or circuit, and specifically disclaims any and all liability, including without limitation consequential or incidental damages. "Typical" parameters which may be provided in Motorola data sheets and/or specifications can and do vary in different applications and actual performance may vary over time. All operating parameters, including "Typicals" must be validated for each customer application by customer's technical experts. Motorola does not convey any license under its patent rights nor the rights of others. Motorola products are not designed, intended, or authorized for use as components in systems intended for surgical implant into the body, or other applications intended to support or sustain life, or for any other application in which the failure of the Motorola product could create a situation where personal injury or death may occur. Should Buyer purchase or use Motorola products for any such unintended or unauthorized application, Buyer shall indemnify and hold Motorola and its officers, employees, subsidiaries, affiliates, and distributors harmless against all claims, costs, damages, and expenses, and reasonable attorney fees arising out of, directly or indirectly, any claim of personal injury or death associated with such unintended or unauthorized use, even if such claim alleges that Motorola was negligent regarding the design or manufacture of the part. Motorola and  are registered trademarks of Motorola, Inc. Motorola, Inc. is an Equal Opportunity/Affirmative Action Employer.

How to reach us:

USA/EUROPE/Locations Not Listed: Motorola Literature Distribution;
P.O. Box 5405; Denver, Colorado 80217. 303-675-2140 or 1-800-441-2447

JAPAN: Nippon Motorola Ltd.; Tatsumi-SPD-JLDC, 6F Seibu-Butsuryu-Center,
3-14-2 Tatsumi Koto-Ku, Tokyo 135, Japan. 81-3-3521-8315

Mfax™: RMFAX0@email.sps.mot.com – TOUCHTONE 602-244-6609
INTERNET: <http://www.mot.com/sps/>

ASIA/PACIFIC: Motorola Semiconductors H.K. Ltd.; 8B Tai Ping Industrial Park,
51 Ting Kok Road, Tai Po, N.T., Hong Kong. 852-26629298