

6Ri75P-160

Diode Module

Diode Module

1600V / 75A

■ Features

- Compact Package
- P.C. Board Mount Module
- Converter Diode Bridge

■ Applications

- Inverter for Motor Drive
- AC and DC Servo Drive Amplifier
- Uninterruptible Power Supply

■ Maximum ratings and characteristics

● Absolute maximum ratings (Tc=25°C unless without specified)

Item	Symbol	Condition	Rating	Unit
Repetitive peak reverse voltage	VRRM		1600	V
Non-repetitive peak reverse voltage	VRSM		1760	V
Average output current	Io	50Hz/60Hz sine wave Tc=97°C	75	A
One cycle surge current	IFSM	From rated load	600	A
It	It	From rated load	1440	A ² s
Operation junction temperature	Tj		-40 to +125	°C
Storage junction temperature	Tsg		-40 to +125	°C
Isolation voltage	Viso	AC : 1 minute	3000	V
Mounting screw torque		M5 screw	2.0 to 2.5	N·m

● Electrical characteristics (Tj=25°C unless otherwise specified)

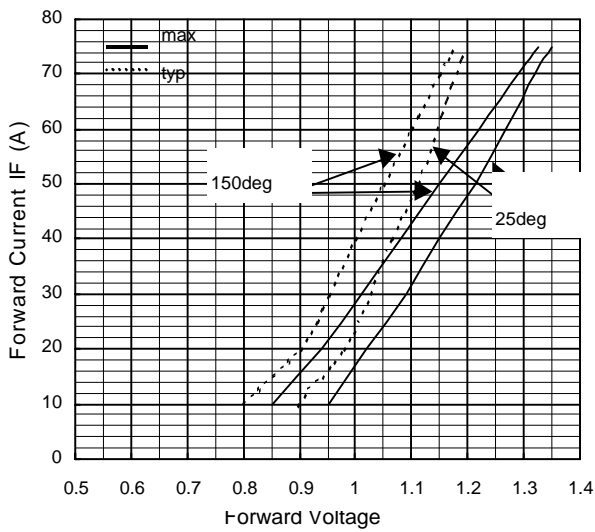
Item	Symbol	Condition	Min.	Typ.	Max.	Unit
Forward voltage	VFM	Tj=25°C, IFM=75A			1.35	V
Reverse current	IRRM	Tj=150°C, VR=VRRM			15	mA

● Thermal characteristics

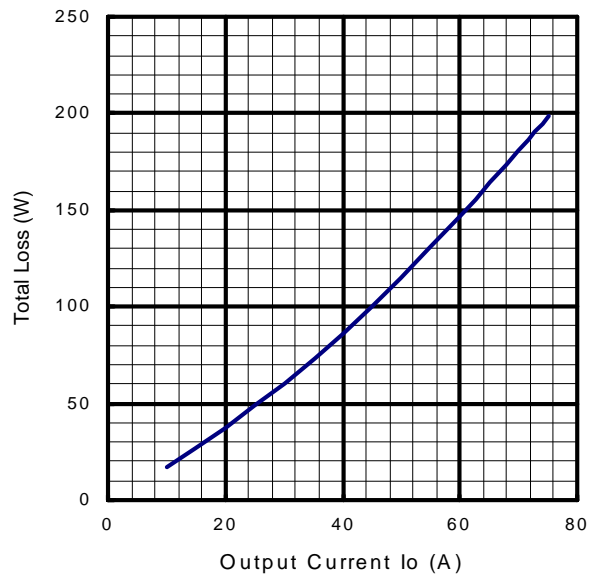
Item	Symbol	Condition	Min.	Typ.	Max.	Unit
Thermal resistance	Rth(j-c)	Per total loss			0.16	°C/W
		Per each device			0.96	
Thermal Resistance(Case to fine)	Rth(c-f)	with thermal compound			0.08	°C/W



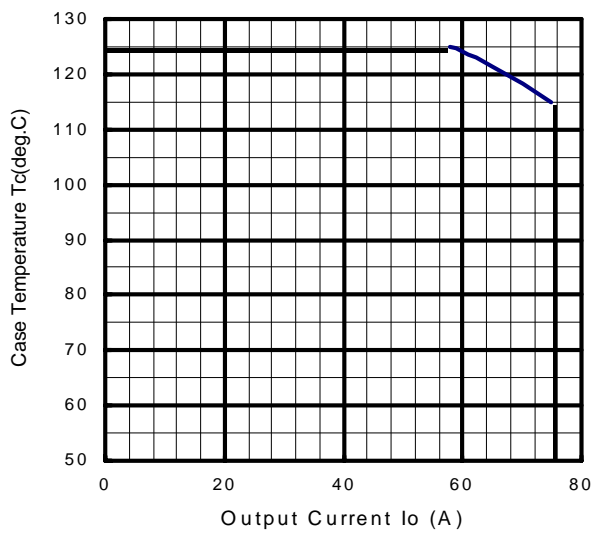
Forward Characteristics



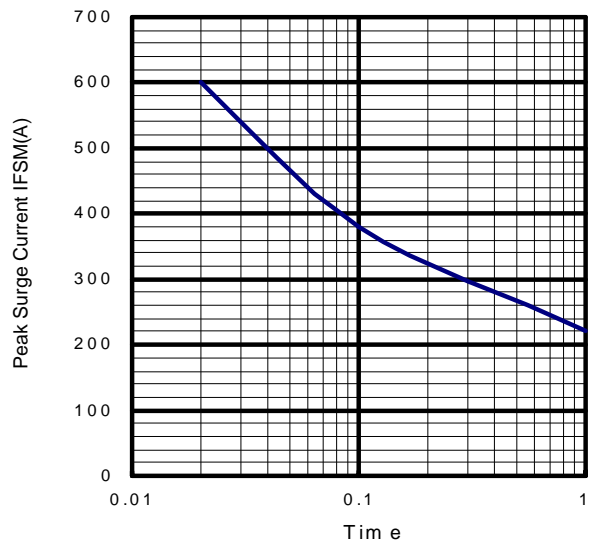
Output Current - Total Loss



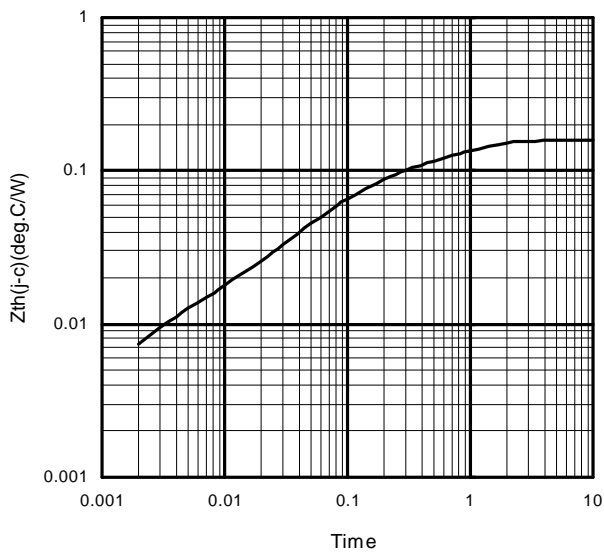
Output Current - Case Temperature



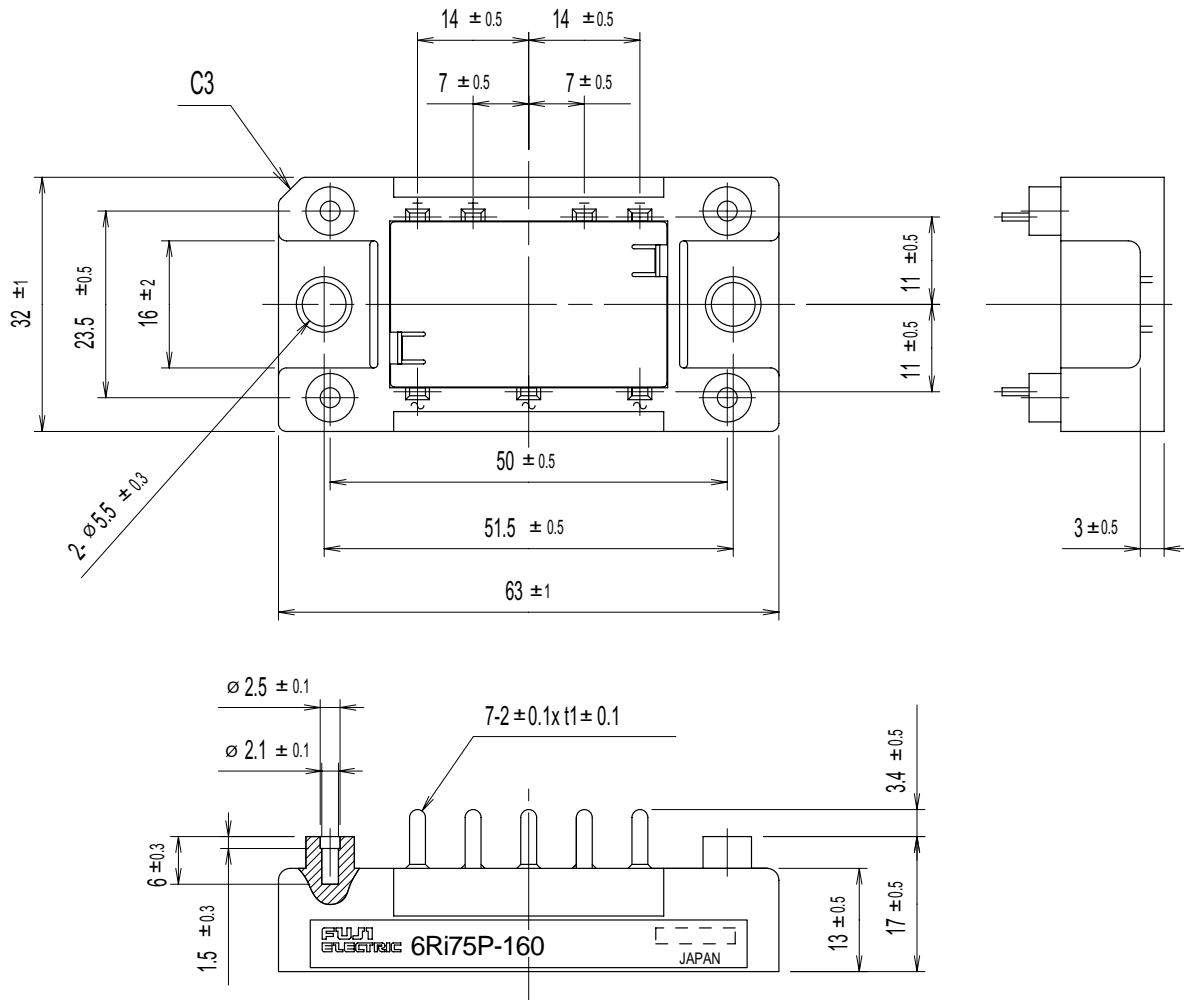
Surge Current



Transient Thermal Impedance



■ Outline Drawings, mm



■ Equivalent Circuit Schematic

