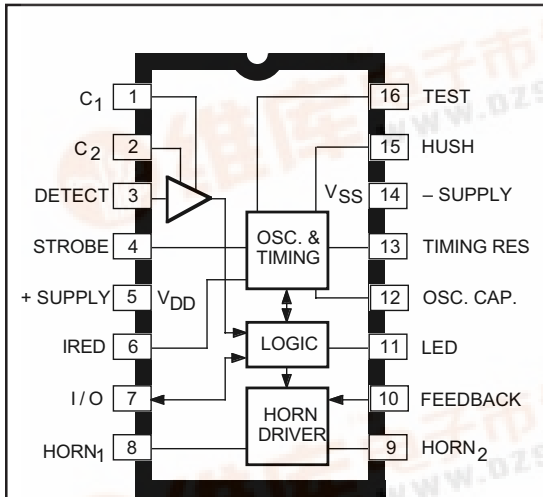


# 5358

Data Sheet  
26110.10B

## PHOTOELECTRIC SMOKE DETECTOR WITH INTERCONNECT AND TIMER



Dwg. PC-007

The selectable Hush Feature may be covered by U.S. patent number Re. 33,920. Any sale or use of the Hush Feature in a smoke alarm in the U.S. would be a possible infringement of this patent.

### ABSOLUTE MAXIMUM RATINGS (Voltages are referenced to V<sub>SS</sub>)

Supply Voltage Range,	
V <sub>DD</sub> .....	-0.5 V to +15 V
Input Voltage Range,	
V <sub>IN</sub> .....	-0.3 V to V <sub>DD</sub> + 0.3 V
Input Current, I <sub>IN</sub> .....	10 mA
Operating Temperature Range,	
T <sub>A</sub> .....	-25°C to +75°C
Storage Temperature Range,	
T <sub>S</sub> .....	-55°C to +125°C

CAUTION: CMOS devices have input static protection but are susceptible to damage if exposed to extremely high static electrical charges.

The A5358CA is a low-current BiCMOS circuit providing all of the required features for a photoelectric type smoke detector. This device can be used in conjunction with an infrared photoelectric chamber to sense scattered light from smoke particles. Special features are incorporated in the design to facilitate calibration and testing of the finished detector. The device is designed to comply with Underwriters Laboratories Specification UL217 and British Standard BS 5446, Part 1.

A variable-gain photo amplifier can be directly interfaced to an infrared emitter/detector pair. The amplifier gain levels are determined by two external capacitors that are then internally selected depending on the operating mode. Low gain is selected during standby and timer modes. During a local alarm this low gain is increased (internally) by ~10% to reduce false triggering. High gain is used during the push-button test and during standby to periodically monitor the chamber sensitivity.

The internal oscillator and timing circuitry keeps standby power to a minimum by sensing for smoke every 10 seconds in a 10 μs window. A special three-stage speedup sensing scheme is incorporated to minimize the time to an audible alarm and also to reduce false triggering. Also, two consecutive cycles of degraded chamber sensitivity are required for a warning signal to occur.

The A5358CA is supplied in a low-cost 16-pin dual in-line plastic package. It is rated for continuous operation over the temperature range of -25°C to +75°C. The Pb (lead) free version has 100% matte tin leadframe plating.

### FEATURES

- Interconnect Up to 50 Detectors
- Piezoelectric Horn Driver
- All Internal Low-Battery Detection
- Power-ON Reset
- Internal Timer & Control for Reduced Sensitivity
- Built-In Circuits to Reduce False Triggering
- 6 V to 12 V Operating Voltage Range
- ESD-Protection Circuitry on All Pins



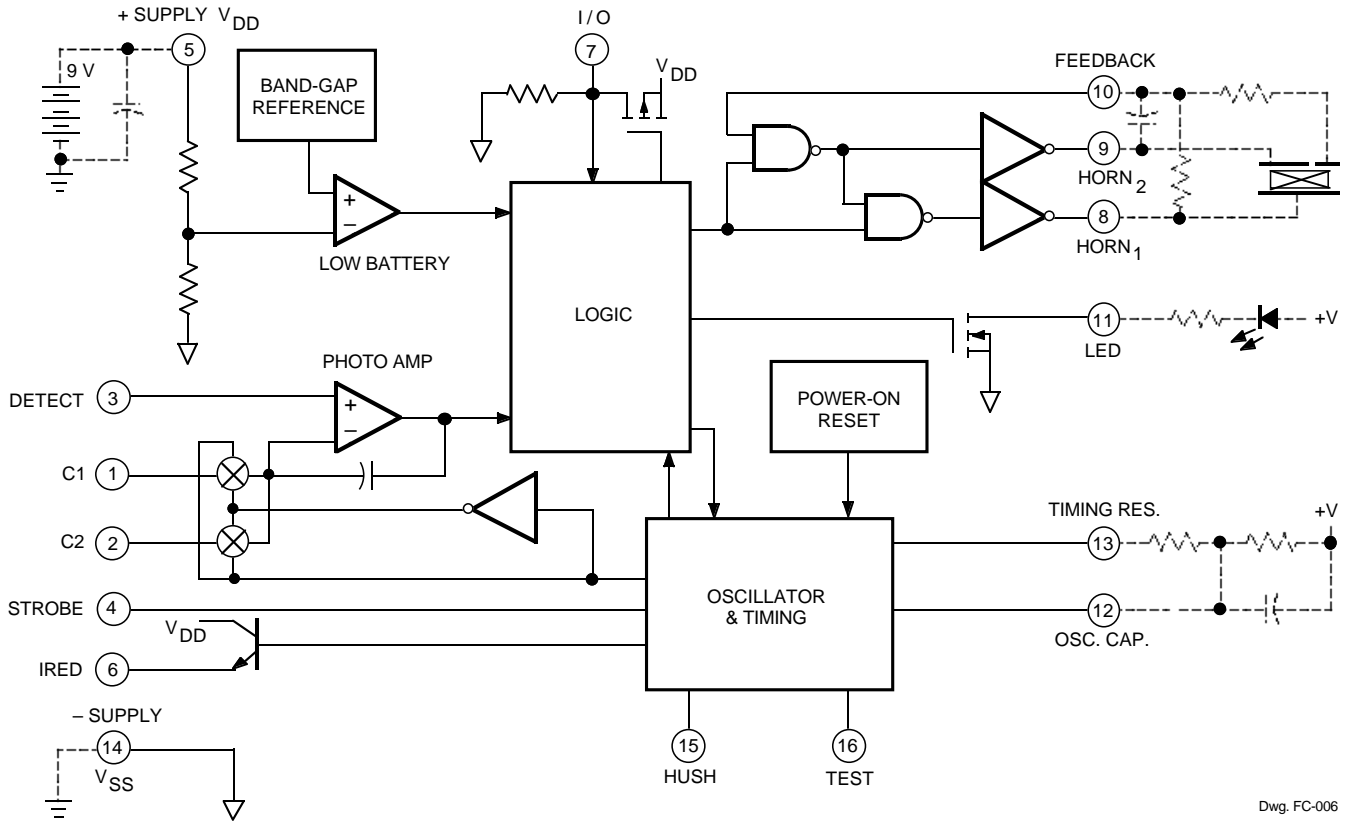
Use the following complete part numbers when ordering

Part Number	Pb-Free	Packing
A5358CA-T	Yes	25 pieces per tube
A5358CA	-	25 pieces per tube



**5358**  
**PHOTOELECTRIC SMOKE DETECTOR**  
*with INTERCONNECT and TIMER*

**FUNCTIONAL BLOCK DIAGRAM**



Dwg. FC-006

**5358**  
**PHOTOELECTRIC SMOKE DETECTOR**  
*with INTERCONNECT and TIMER*

**DC ELECTRICAL CHARACTERISTICS at  $T_A = -25^{\circ}\text{C}$  to  $+75^{\circ}\text{C}^*$ ,  $V_{SS} = 0\text{ V}$ , in typical application (unless otherwise noted).**

Characteristic	Symbol	Test Conditions	Test Pin	$V_{DD}$	Limits			Units
					Min.	Typ.	Max.	
Supply Voltage Range	$V_{DD}$		5	–	6.0	–	12	V
Operating Supply Current	$I_{DD}$	Average Standby Configured per Figure 1	5	12	–	–	12	$\mu\text{A}$
		During Strobe ON, $I_{RED}$ OFF, Configured per Figure 1	5	12	–	–	2.0	mA
		During Strobe ON, $I_{RED}$ ON, Configured per Figure 1	5	12	–	–	3.0	mA
Low-Level Input Voltage	$V_{IL}$		7	9	–	–	1.5	V
			10	9	–	–	2.7	V
			16	9	–	–	7.0	V
			15	9	–	–	0.5	V
High-Level Input Voltage	$V_{IH}$		7	9	3.2	–	–	V
			10	9	6.3	–	–	V
			16	9	8.5	–	–	V
			15	9	1.6	–	–	V
Input Leakage High	$I_{IH}$	$V_{IN} = V_{DD}$ , Strobe Active, Pin 12 @ $V_{DD}$	1, 2	12	–	–	100	nA
		$V_{IN} = V_{DD}$	3, 10, 12	12	–	–	100	nA
Input Leakage Low	$I_{IL}$	$V_{IN} = V_{ST}$ , Strobe Active, Pin 12 @ $V_{DD}$	1, 2, 3	12	–	–	-100	nA
		$V_{IN} = V_{SS}$	10, 12	12	–	–	-100	nA
			15, 16	12	–	–	-1.0	$\mu\text{A}$
Input Pull-Down Current	$I_{IN}$	$V_{IN} = V_{DD}$	16, 15	9	0.25	–	10	$\mu\text{A}$
		No Local Smoke, $V_{IN} = V_{DD}$	7	9	20	–	80	$\mu\text{A}$
		No Local Smoke, $V_{IN} = 17\text{ V}$	7	12	–	–	140	$\mu\text{A}$
Low-Level Output Voltage	$V_{OL}$	$I_O = 10\text{ mA}$	11	6.5	–	–	0.6	V
		$I_O = 16\text{ mA}$	8, 9	6.5	–	–	1.0	V
		$I_O = 5\text{ mA}$	13	6.5	–	0.5	–	V
High-Level Output Voltage	$V_{OH}$	$I_O = -16\text{ mA}$	8, 9	6.5	5.5	–	–	V
Strobe Output Voltage	$V_{ST}$	Inactive $I_O = -1\text{ }\mu\text{A}$	4	12	$V_{DD} - 0.1$	–	–	V
		Active, $I_O = 100\text{ }\mu\text{A}$ to $500\text{ }\mu\text{A}$	4	9	$V_{DD} - 5.25$	–	$V_{DD} - 4.75$	V

Continued...

**5358**  
**PHOTOELECTRIC SMOKE DETECTOR**  
*with INTERCONNECT and TIMER*

**DC ELECTRICAL CHARACTERISTICS, continued**

Characteristic	Symbol	Test Conditions	Test Pin	V <sub>DD</sub>	Limits			
					Min.	Typ.	Max.	Units
Line Regulation	$\Delta V_{ST(\Delta VDD)}$	Active, V <sub>DD</sub> = 6 V to 12 V	4	-	-	-60	-	dB
Strobe Temperature Coeff.	$\alpha_{ST}$	V <sub>DD</sub> = 6 V to 12 V	4	-	-	0.01	-	%/°C
I <sub>RED</sub> Output Voltage	V <sub>IRED</sub>	Inactive I <sub>O</sub> = 1 $\mu$ A, T <sub>A</sub> = +25°C	6	12	-	-	0.1	V
		Active I <sub>O</sub> = -6 mA, T <sub>A</sub> = +25°C	6	9	2.85	3.1	3.35	V
Line Regulation	$\Delta V_{IRED(\Delta VDD)}$	Active, V <sub>DD</sub> = 6 V to 12 V	6	-	-	-35	-	dB
I <sub>RED</sub> Temperature Coefficient	$\alpha_{IRED}$	V <sub>DD</sub> = 6 V to 12 V	6	-	-	+0.40	-	%/°C
High-Level Output Current	I <sub>OH</sub>	V <sub>DD</sub> = Alarm, I/O active, V <sub>O</sub> = V <sub>DD</sub> - 2 V	7	9	-4.0	-	-	mA
OFF Leakage Current High	I <sub>OZ</sub>	V <sub>O</sub> = V <sub>DD</sub>	11, 13	12	-	-	1.0	$\mu$ A
OFF Leakage Current Low	I <sub>OZ</sub>	V <sub>O</sub> = V <sub>SS</sub>	11, 13	12	-	-	-1.0	$\mu$ A
Low V <sub>DD</sub> Alarm Threshold	V <sub>DD(th)</sub>		5	-	6.9	7.2	7.5	V
Common Mode Voltage	V <sub>IC</sub>	Any Alarm Condition	1, 2, 3	-	V <sub>DD</sub> - 4	-	V <sub>DD</sub> - 2	V
Smoke Comparator Ref. Volt.	V <sub>REF</sub>	Any Alarm Condition	Internal	-	V <sub>DD</sub> - 3.7	-	V <sub>DD</sub> - 3.3	V

\* Limits over the operating temperature range are based on characterization data.  
 Characteristics are production tested at +25°C only.  
 Typical values are at +25°C and are given for circuit design information only.

**AC ELECTRICAL CHARACTERISTICS at T<sub>A</sub> = -25°C to +75°C\*, V<sub>SS</sub> = 0 V, in typical application (unless otherwise noted).**

Characteristic	Symbol	Test Conditions	Test Pin	V <sub>DD</sub>	Limits			
					Min.	Typ.	Max.	Units
Oscillator Period	t <sub>osc</sub>		12	9	9.4	10.5	11.5	ms
Led Pulse Period	t <sub>led1</sub>	No Local or Remote Smoke	11	9	39	-	48	s
	t <sub>led4</sub>	Remote Smoke Only	11	9	None	-	-	-
	t <sub>led6</sub>	Local Smoke or Test	11	9	0.60	0.67	0.74	s
	t <sub>led7</sub>	Timer Mode, No Alarm	11	9	9.67	10.8	11.8	s
Led Pulse Width	t <sub>w(led)</sub>		11	9	9.5	-	11.5	ms

Continued...

**5358**  
**PHOTOELECTRIC SMOKE DETECTOR**  
*with INTERCONNECT and TIMER*

**AC ELECTRICAL CHARACTERISTICS, continued.**

Characteristic	Symbol	Test Conditions	Test Pin	V <sub>DD</sub>	Limits			
					Min.	Typ.	Max.	Units
Strobe Pulse Period	t <sub>st1</sub>	No Local or Remote Smoke	4	9	9.6	–	11.9	s
	t <sub>st2</sub>	After 1 of 3 Valid Samples	4	9	2.42	2.70	2.96	s
	t <sub>st3</sub>	After 2 of 3 Valid Samples and During Local Alarm	4	9	1.21	1.34	1.47	s
	t <sub>st4</sub>	Remote Alarm	4	9	9.67	10.8	11.8	s
	t <sub>st5</sub>	Chamber Test or Low Supply Test, No Local Alarm	4	9	38.9	–	47.1	s
	t <sub>st6</sub>	Pushbutton Test, No Alarm	4	9	300	336	370	ms
Strobe Pulse Width	t <sub>w(st)</sub>		4	9	9.5	–	11.5	ms
I <sub>RED</sub> Pulse Period	t <sub>ired1</sub>	No Local or Remote Smoke	6	9	9.6	–	11.9	s
	t <sub>ired2</sub>	After 1 of 3 Valid Samples	6	9	2.42	2.70	2.96	s
	t <sub>ired3</sub>	After 2 of 3 Valid Samples and During Local Alarm	6	9	1.21	1.34	1.47	s
	t <sub>ired4</sub>	Remote Alarm	6	9	9.67	10.8	11.8	s
	t <sub>ired5</sub>	Chamber Test, No Local Alarm	6	9	38.9	–	47.1	s
	t <sub>ired6</sub>	Pushbutton Test, No Alarm	6	9	300	336	370	ms
I <sub>RED</sub> Pulse Width	t <sub>w(ired)</sub>		6	9	94	–	116	μs
I <sub>RED</sub> Rise Time	t <sub>r(ired)</sub>	10% to 90%	6		–	–	30	μs
I <sub>RED</sub> Fall Time	t <sub>f(ired)</sub>	90% to 10%	6		–	–	200	μs
I/O to Active Delay	t <sub>d(io)</sub>	Local Alarm	7	9	–	0	–	s
Rising Edge on I/O to Alarm	t <sub>r(io)</sub>	No Local Alarm	7	9	–	–	1.34	s
Horn Warning Pulse Period	t <sub>horn</sub>	Low Supply and Degraded Chamber Sensitivity	8, 9	9	38.9	–	47.1	s
Horn Warning Pulse Width	t <sub>w(horn)</sub>	Low Supply and Degraded Chamber Sensitivity	8, 9	9	9.5	–	11.5	ms
Horn ON Time	t <sub>on(horn)</sub>	Local or Remote Alarm	8, 9	9	–	252	–	ms
Horn OFF Time	t <sub>off(horn)</sub>	Local or Remote Alarm	8, 9	9	–	84	–	ms

\* Limits over the operating temperature range are based on characterization data. Characteristics are production tested at +25°C only. Typical values are at +25°C and are given for circuit design information only.

## 5358

### **PHOTOELECTRIC SMOKE DETECTOR** *with INTERCONNECT and TIMER*

#### **PIN AND CIRCUIT DESCRIPTION** (In Typical Application)

##### **PIN 1 (C<sub>1</sub>)**

A capacitor connected to this pin determines the gain of the photo amplifier during the push-to-test mode and during the chamber monitor test. A typical value for this high-gain mode is 0.047  $\mu$ F but should be selected based on the photo chamber background reflections reaching the detector and the desired level of sensitivity.  $A_e \approx 1+(C_1/10)$  where  $C_1$  is in pF.  $A_e$  should not exceed 10 000.

##### **PIN 2 (C<sub>2</sub>)**

A capacitor connected to this pin determines the gain of the photo amplifier during standby. A typical value for this low-gain mode is 4700 pF but should be selected based on a specific photo chamber and the desired level of sensitivity to smoke.  $A_e \approx 1+(C_2/10)$  where  $C_2$  is in pF.  $A_e$  should not exceed 10 000. This gain increases by a nominal 10% after a local alarm is detected (three consecutive detections). **Coupling of other signals to C<sub>2</sub> (C<sub>1</sub> and the DETECT inputs also) must be minimized.**

A resistor must be installed in series with C<sub>2</sub>.

##### **PIN 3 (DETECT)**

This is the input to the photo amplifier and is connected to the cathode of the photo diode. The photo diode is operated at zero bias and should have low dark-leakage current and low capacitance.

##### **PIN 4 (STROBE)**

This output provides a strobed, regulated voltage of  $V_{DD} - 5$  V. The minus side of all internal and external photo amplifier circuitry is referenced to this pin.

##### **PIN 5 (V<sub>DD</sub>)**

This pin is connected to the most-positive supply potential and can range from 6 V to 12 V with respect to V<sub>SS</sub>.

##### **PIN 6 (I<sub>RED</sub>)**

This output provides a pulsed base current for the external npn transistor, which drives the IR emitter. Its beta should be greater than 100. The I<sub>RED</sub> output is not active, to minimize noise impact, when the horn and visible LED outputs are active.

##### **PIN 7 (I/O)**

A connection at this pin allows multiple smoke detectors to be interconnected. If a local smoke condition occurs, this pin is driven high. As an input, this pin is sampled nominally every 1.35 seconds during standby. Any local-alarm condition causes this pin to be ignored as an input.

This pin has an on-chip pull-down resistor and must be left unconnected if not used. In application, there is a series current-limiting resistor to other smoke alarms.

##### **PIN 8 (HORN<sub>1</sub>)**

##### **PIN 9 (HORN<sub>2</sub>)**

##### **PIN 10 (FEEDBACK)**

These three pins are used in conjunction with external passive components and a self-resonating piezoelectric transducer. HORN<sub>1</sub> is connected to the piezo metal support electrode; the complementary output, HORN<sub>2</sub>, is connected to the ceramic electrode and the FEEDBACK input to the feedback electrode.

A continuous modulated tone indicates either a local or remote alarm condition. A short (10 ms) chirp indicates a low-battery condition or degraded chamber sensitivity. The low-battery chirp occurs almost simultaneous with the visible LED flash. If the FEEDBACK pin is not used, it must be connected to V<sub>DD</sub> or V<sub>SS</sub>.

Continued...

**5358**  
**PHOTOELECTRIC SMOKE DETECTOR**  
*with INTERCONNECT and TIMER*

**PIN AND CIRCUIT DESCRIPTION, continued**

**PIN 11 (LED)**

This open-drain NMOS output is used to directly drive a visible LED. The load for the low-battery test is applied to this output. The low-battery test does not occur coincident with any other test or alarm signal. The LED also indicates detector status as follows (with component values as in the typical application, all times nominal):

- Standby** - Pulses every 43 seconds.
- Local Smoke** - Pulses every 0.67 second.
- Remote Alarm** - No pulses.
- Test Mode** - Pulses every 0.67 second.
- Timer Mode** - Pulses every 10 seconds.

**PIN 12 (OSC. CAP.)**

A capacitor between this pin and  $V_{DD}$ , along with a parallel resistor, forms part of a two-terminal oscillator and sets the internal clock low time. With component values as shown, this nominal time is 11 ms and essentially the oscillator period.

**PIN 13 (TIMING RES.)**

A resistor between this pin and OSC. CAP. (pin 12) is part of the two-terminal oscillator and sets the internal clock high time, which is also the  $I_{RED}$  pulse width. With component values as shown, this nominal time is 105  $\mu$ s.

**PIN 14 ( $V_{SS}$ )**

This pin is connected to the most negative supply potential (usually ground).

**PIN 15 (HUSH)**

This input pin serves two purposes in normal operation. It serves as an enable for the internal 10-minute (nominal) timer and also as the reference for the smoke comparator during the timer mode. This reference is established by a resistive divider between  $V_{DD}$  and STROBE ( $R_{X1}$  and  $R_{X2}$ ). This allows the detector to have a different sensitivity set point during the timer mode. If the timer mode is not used, this pin can be left open or connected to  $V_{SS}$ , which disables this mode.

**PIN 16 (TEST)**

This pin has an internal pull-down device and is used to manually invoke two test modes and a Timer Mode.

The Push-to-Test Mode is initiated by a high logic level on this pin (usually the depression of a normally open push-button switch to  $V_{DD}$ ). After one oscillator

cycle,  $I_{RED}$  pulses every 336 ms (nominal) and amplifier gain is increased by internal selection of  $C_1$ . Background reflections in the smoke chamber can be used to simulate a smoke condition. After the third  $I_{RED}$  pulse, a successful test (three consecutive simulated smoke conditions) activates the horn drivers and the I/O pin. When the push-button is released, the input returns to  $V_{SS}$  due to the internal pull down. After one oscillator cycle, the amplifier gain returns to normal and after three additional  $I_{RED}$  pulses (less than one second), the device exits this mode and returns to standby. This high-to-low transition on pin 16 also resets and starts the 10 minute hush timer (timer mode).

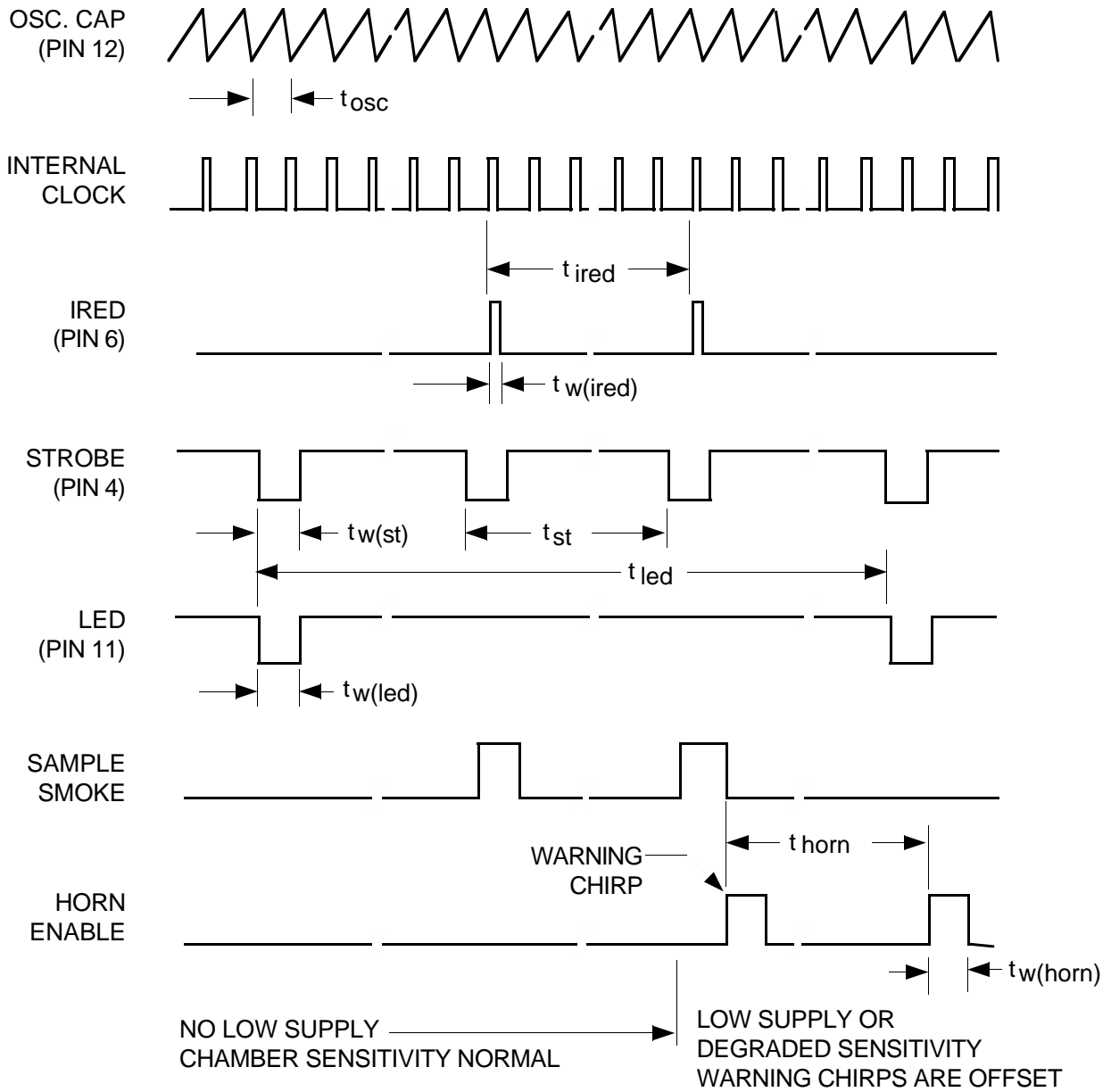
Pin Name	Pin No.	Configuration
I/O	7	Disabled as an output. A logic high on this pin places the photo amplifier output on pin 1 or pin 2 as determined by pin 15. The amplifier output appears as pulses.
HUSH	15	If the I/O pin is high, this pin controls the amplifier gain capacitor. If pin 15 is low, normal gain is selected and the amplifier output is on pin 1. If pin 15 is high, supervisory gain is selected and the amplifier output is on pin 2.
FEEDBACK	10	If pin 7 is high and pin 15 is low (normal gain), taking this pin to a high logic level increases the amplifier gain by ~10% (hysteresis).
OSC. CAP.	12	This pin may be driven by an external clock source. Driving this pin low and high drives the internal clock low and high. The external RC network may remain intact.





**5358**  
**PHOTOELECTRIC SMOKE DETECTOR**  
*with INTERCONNECT and TIMER*

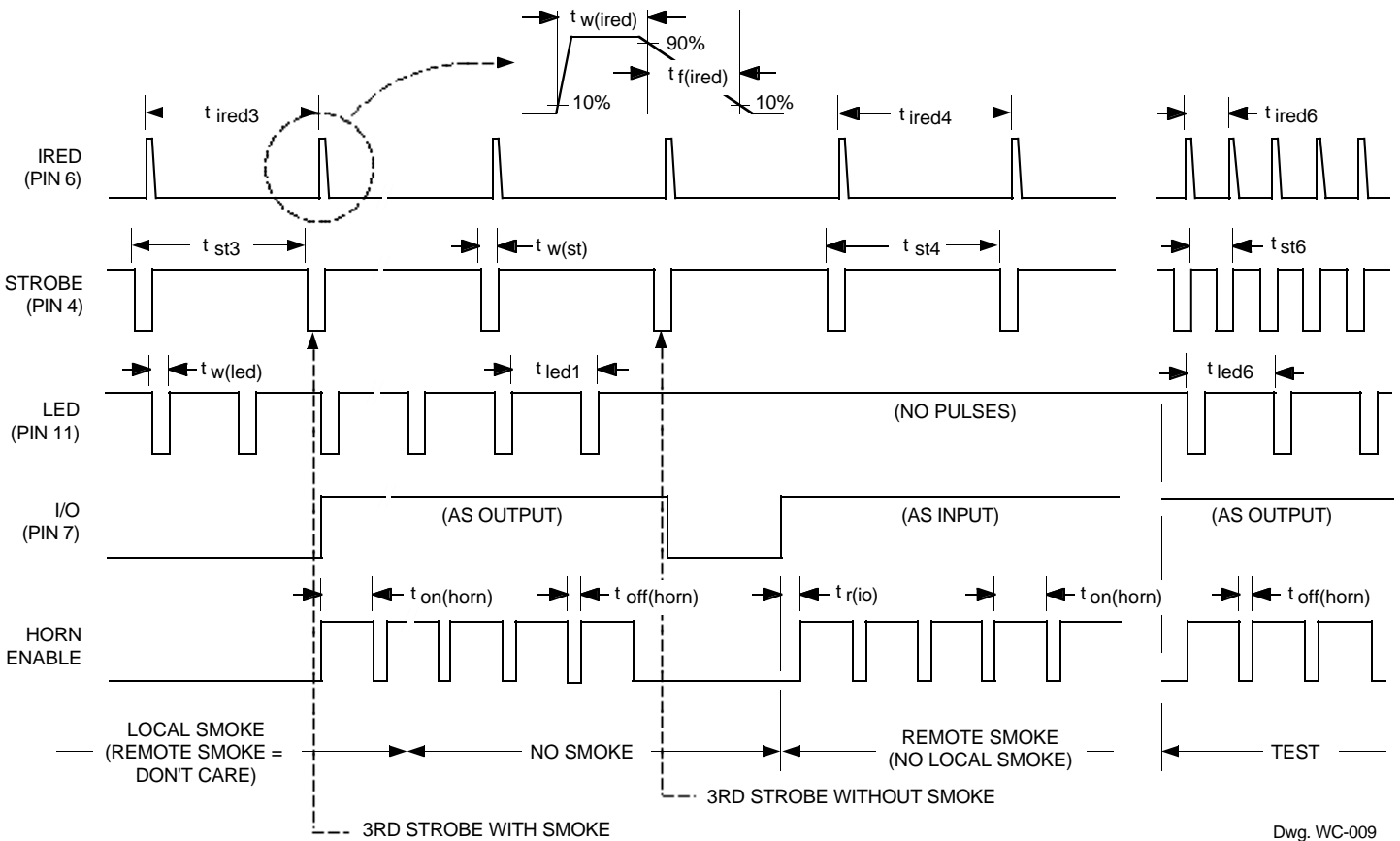
**STANDBY TIMING DIAGRAM**  
(not to scale)



# 5358

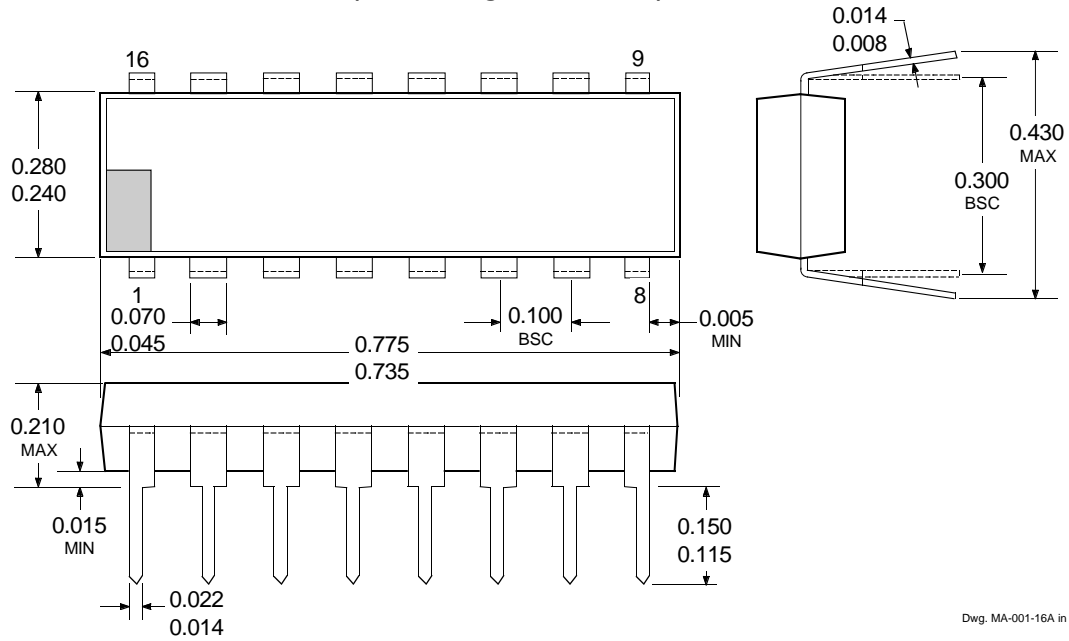
## PHOTOELECTRIC SMOKE DETECTOR with INTERCONNECT and TIMER

### LOCAL ALARM TIMING DIAGRAM (not to scale)

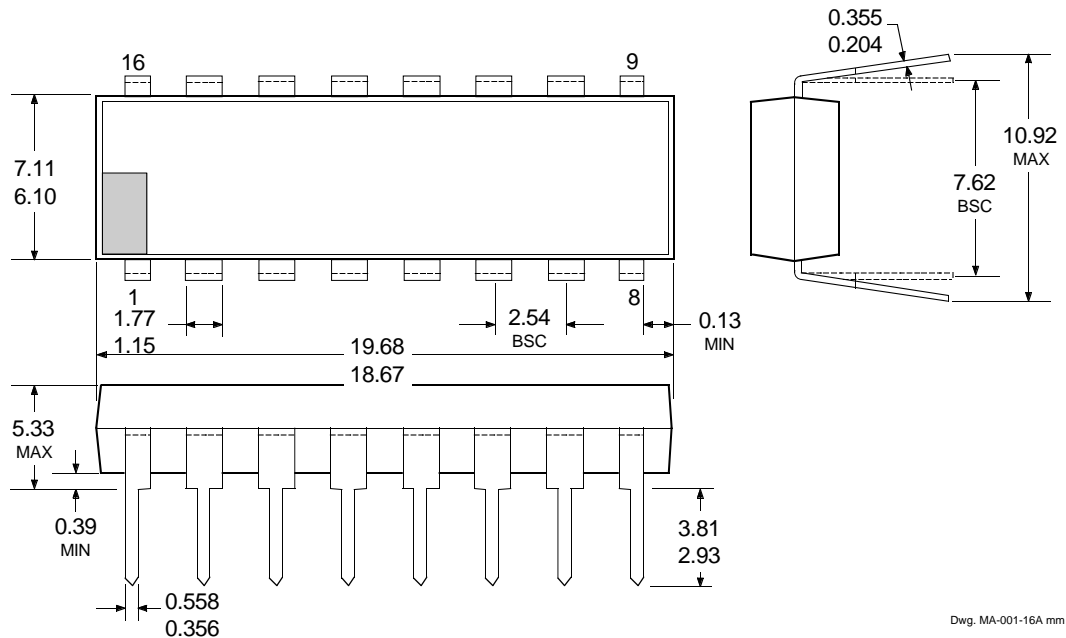


**5358**  
**PHOTOELECTRIC SMOKE DETECTOR**  
*with INTERCONNECT and TIMER*

**Dimensions in Inches  
 (controlling dimensions)**



**Dimensions in Millimeters  
 (for reference only)**



- NOTES: 1. Lead thickness is measured at seating plane or below.  
 2. Lead spacing tolerance is non-cumulative.  
 3. Exact body and lead configuration at vendor's option within limits shown.  
 4. Supplied in standard sticks/tubes of 25 devices.

## 5358

### **PHOTOELECTRIC SMOKE DETECTOR with INTERCONNECT and TIMER**

## ***SAFETY & SECURITY ICs***

<b>Part Number</b>	<b>Function</b>
A5347CA	Ionization-type smoke detector with interconnect and timer
A5348CA	Ionization-type smoke detector with interconnect, timer, and reverse-battery protection
A5349CA	Ionization-type smoke detector with interconnect and timer for ac line operation
A5350CA	Ionization-type smoke detector with interconnect and reverse-battery protection
A5354CA	Ionization-type smoke detector with interconnect and reverse-battery protection
A5355CA	Ionization-type smoke detector with interconnect
A5358CA	Photoelectric-type smoke detector with interconnect and timer
A5364CA	Ionization-type smoke detector with interconnect, reverse-battery protection, and temporal horn pattern
A5366CA	Photoelectric-type smoke detector with interconnect, timer, and temporal horn pattern
A5367CA	Ionization-type smoke detector with interconnect, timer, reverse-battery protection, and temporal horn pattern
A5368CA	Ionization-type smoke detector with interconnect, timer, reverse-battery protection, and temporal horn pattern

*The products described here are manufactured under one or more U.S. patents or U.S. patents pending.*

*Allegro MicroSystems, Inc. reserves the right to make, from time to time, such departures from the detail specifications as may be required to permit improvements in the performance, reliability, or manufacturability of its products. Before placing an order, the user is cautioned to verify that the information being relied upon is current.*

*Allegro products are not authorized for use as critical components in life-support devices or systems without express written approval.*

*The information included herein is believed to be accurate and reliable. However, Allegro MicroSystems, Inc. assumes no responsibility for its use; nor for any infringement of patents or other rights of third parties which may result from its use.*



中发网 WWW.ZFA.CN

全球最大的PDF中文下载站



**中发网**  
www.zfa.cn

**PDF 资料下载尽在中发网**