



# Blackfin® Embedded Processor

Preliminary Technical Data

## ADSP-BF536/ADSP-BF537

### FEATURES

- Up to 600 MHz High-Performance Blackfin Processor
- Two 16-Bit MACs, Two 40-Bit ALUs, Four 8-Bit Video ALUs, 40-Bit Shifter
- RISC-Like Register and Instruction Model for Ease of Programming and Compiler-Friendly Support
- Advanced Debug, Trace, and Performance-Monitoring
- 0.8 V to 1.2 V Core  $V_{DD}$  with On-chip Voltage Regulation
- 2.5 V and 3.3 V-Tolerant I/O with Specific 5 V-Tolerant Pins
- 182-Ball MBGA and 208-Ball Sparse MBGA Packages
- Lead Bearing and Lead Free Package Choices

### MEMORY

- Up to 132K Bytes of On-Chip Memory:
  - 16K Bytes of Instruction SRAM/Cache
  - 48K Bytes of Instruction SRAM
  - 32K Bytes of Data SRAM/Cache
  - 32K Bytes of Data SRAM
  - 4K Bytes of Scratchpad SRAM
- External Memory Controller with Glueless Support for SDRAM and Asynchronous 8/16-Bit Memories
- Flexible Booting Options from External Flash, SPI and TWI Memory or from SPI, TWI, and UART Host Devices

- Two Dual-Channel Memory DMA Controllers
  - Memory Management Unit Providing Memory Protection
- ### PERIPHERALS

- IEEE 802.3-Compliant 10/100 Ethernet MAC
- Controller Area Network (CAN) 2.0B Interface
- Parallel Peripheral Interface (PPI), Supporting ITU-R 656 Video Data Formats
- Two Dual-Channel, Full-Duplex Synchronous Serial Ports (SPORTs), Supporting Eight Stereo I<sup>2</sup>S Channels
- 12 Peripheral DMAs, 2 Mastered by the Ethernet MAC
- Two Memory-to-Memory DMAs With External Request Lines
- Event Handler With 32 Interrupt Inputs
- Serial Peripheral Interface (SPI)-Compatible
- Two UARTs with IrDA® Support
- Two-Wire Interface (TWI) Controller
- Eight 32-Bit Timer/Counters with PWM Support
- Real-Time Clock (RTC) and Watchdog Timer
- 32-Bit Core Timer
- 48 General-Purpose I/Os (GPIOs), 8 with High Current Drivers
- On-Chip PLL Capable of 1x to 63x Frequency Multiplication
- Debug/JTAG Interface

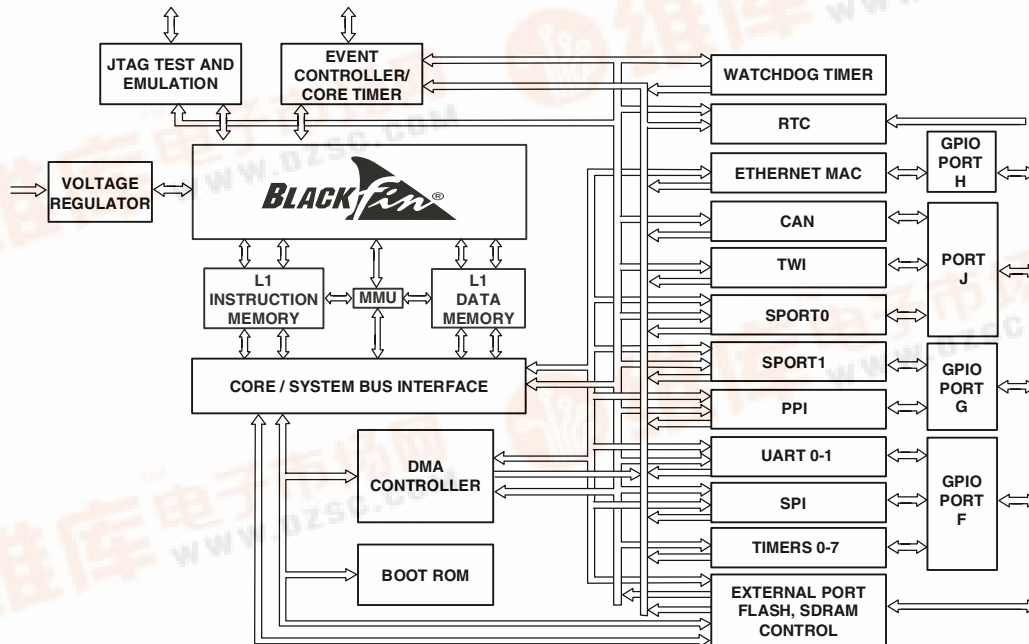


Figure 1. Functional Block Diagram

TigerSHARC and the TigerSHARC logo are registered trademarks of Analog Devices, Inc.

Rev. PrE  
Information furnished by Analog Devices is believed to be accurate and reliable. However, no responsibility is assumed by Analog Devices for its use, nor for any infringements of patents or other rights of third parties that may result from its use. Specifications subject to change without notice. No license is granted by implication or otherwise under any patent or patent rights of Analog Devices. Trademarks and registered trademarks are the property of their respective owners.

One Technology Way, P.O. Box 9106, Norwood, MA 02062-9106 U.S.A.  
Tel: 781/329-4700  
Fax: 781/461-3113  
www.analog.com  
© 2005 Analog Devices, Inc. All rights reserved.

## TABLE OF CONTENTS

General Description .....	3	EZ-KIT Lite Evaluation Board .....	17
Portable Low-Power Architecture .....	3	Designing an Emulator-Compatible Processor Board (Target) .....	17
System Integration .....	3	Related Documents .....	18
ADSP-BF536/BF537 Processor Peripherals .....	3	Pin Descriptions .....	19
Blackfin Processor Core .....	4	Specifications .....	23
Memory Architecture .....	4	Recommended Operating Conditions .....	23
Internal (On-chip) Memory .....	5	Absolute Maximum Ratings .....	25
External (Off-Chip) Memory .....	5	ESD Sensitivity .....	25
I/O Memory Space .....	6	Timing Specifications .....	26
Bootling .....	6	Asynchronous Memory Read Cycle Timing .....	28
Event Handling .....	6	Asynchronous Memory Write Cycle Timing .....	29
Core Event Controller (CEC) .....	7	SDRAM Interface Timing .....	30
System Interrupt Controller (SIC) .....	7	External Port Bus Request and Grant Cycle Timing ..	31
Event Control .....	8	External DMA Request Timing .....	32
DMA Controllers .....	8	Parallel Peripheral Interface Timing .....	33
Real-Time Clock .....	9	Serial Ports .....	34
Watchdog Timer .....	9	Serial Peripheral Interface (SPI) Port— Master Timing .....	39
Timers .....	10	Serial Peripheral Interface (SPI) Port— Slave Timing .....	40
Serial Ports (SPORTs) .....	10	Universal Asynchronous Receiver-Transmitter (UART) Ports—Receive and Transmit Timing .....	41
Serial Peripheral Interface (SPI) Port .....	10	General-Purpose Port Timing .....	42
UART Ports (UARTs) .....	11	Timer Cycle Timing .....	43
Controller Area Network (CAN) .....	11	JTAG Test And Emulation Port Timing .....	44
TWI Controller Interface .....	11	TWI Controller Timing .....	45
10/100 Ethernet MAC .....	11	10/100 Ethernet MAC Controller Timing .....	49
Ports .....	12	Output Drive Currents .....	52
General-Purpose I/O (GPIO) .....	12	Power Dissipation .....	55
Parallel Peripheral Interface (PPI) .....	13	Test Conditions .....	55
Dynamic Power Management .....	13	Output Enable Time .....	55
Full-On Operating Mode – Maximum Performance .	13	Output Disable Time .....	55
Active Operating Mode – Moderate Power Savings ..	13	Example System Hold Time Calculation .....	56
Sleep Operating Mode – High Dynamic Power Savings .....	13	Environmental Conditions .....	56
Deep Sleep Operating Mode – Maximum Dynamic Power Savings .....	13	182-Ball Mini-BGA Pinout .....	57
Hibernate Operating Mode – Maximum Static Power Savings .....	14	208-Ball Sparse Mini-BGA Pinout .....	60
Power Savings .....	14	Outline Dimensions .....	63
Voltage Regulation .....	14	Ordering Guide .....	64
Clock Signals .....	14		
Bootling Modes .....	16		
Instruction Set Description .....	17		
Development Tools .....	17		

**REVISION HISTORY**

Revision PrE: Corrections to PrD because of changes to Ordering Guide, changes to recommended operating conditions, other minor corrections.

Changes to:

Figure 2 ..... 5  
 Dynamic Power Management ..... 13  
 Clock Signals ..... 14  
 Figure 7 ..... 15  
 Booting Modes ..... 16  
 Development Tools ..... 17

Related Documents ..... 18  
 Recommended Operating Conditions ..... 23  
 Figure 9 ..... 25  
 Tables 10, 11, 12, and 13 ..... 26  
 Figures 49 and 50 ..... 59  
 Figures 51 and 52 ..... 62  
 Table 52 ..... 60  
 Table 53 ..... 61  
 Figures 53 and 54 ..... 63  
 Ordering Guide ..... 64

**GENERAL DESCRIPTION**

The ADSP-BF536/BF537 processors are members of the Blackfin family of products, incorporating the Analog Devices/Intel Micro Signal Architecture (MSA). Blackfin processors combine a dual-MAC state-of-the-art signal processing engine, the advantages of a clean, orthogonal RISC-like microprocessor

instruction set, and single-instruction, multiple-data (SIMD) multimedia capabilities into a single instruction-set architecture.

The ADSP-BF536/BF537 processors are completely code and pin compatible, differing only with respect to their performance and on-chip memory. Specific performance and memory configurations are shown in [Table 1](#).

**Table 1. Processor Comparison**

	<b>ADSP-BF536</b>	<b>ADSP-BF537</b>
Maximum performance	400 MHz	600 MHz
Instruction SRAM/Cache	16K bytes	16K bytes
Instruction SRAM	48K bytes	48K bytes
Data SRAM/Cache	16K bytes	32K bytes
Data SRAM	16K bytes	32K bytes
Scratchpad	4K bytes	4K bytes

By integrating a rich set of industry-leading system peripherals and memory, Blackfin processors are the platform of choice for next-generation applications that require RISC-like programmability, multimedia support and leading-edge signal processing in one integrated package.

**PORTABLE LOW-POWER ARCHITECTURE**

Blackfin processors provide world-class power management and performance. Blackfin processors are designed in a low power and low voltage design methodology and feature on-chip Dynamic Power Management, the ability to vary both the voltage and frequency of operation to significantly lower overall power consumption. Varying the voltage and frequency can result in a substantial reduction in power consumption, compared with just varying the frequency of operation. This translates into longer battery life for portable appliances.

**SYSTEM INTEGRATION**

The ADSP-BF536/BF537 processors are highly integrated system-on-a-chip solutions for the next generation of embedded network connected applications. By combining industry-stan-

dard interfaces with a high performance signal processing core, users can develop cost-effective solutions quickly without the need for costly external components. The system peripherals include an IEEE-compliant 802.3 10/100 Ethernet MAC, a CAN 2.0B controller, a TWI controller, two UART ports, an SPI port, two serial ports (SPORTs), nine general purpose 32-bit timers (eight with PWM capability), a real-time clock, a watchdog timer, and a Parallel Peripheral Interface.

**ADSP-BF536/BF537 PROCESSOR PERIPHERALS**

The ADSP-BF536/BF537 processor contains a rich set of peripherals connected to the core via several high bandwidth buses, providing flexibility in system configuration as well as excellent overall system performance (see the block diagram on [Page 1](#)). The general-purpose peripherals include functions such as UARTs, SPI, TWI, Timers with PWM (Pulse Width Modulation) and pulse measurement capability, general purpose I/O pins, a Real-Time Clock, and a Watchdog Timer. This set of functions satisfies a wide variety of typical system support needs and is augmented by the system expansion capabilities of the part. The ADSP-BF536/BF537 processor contains dedicated network communication modules and high-speed serial and

parallel ports, an interrupt controller for flexible management of interrupts from the on-chip peripherals or external sources, and power management control functions to tailor the performance and power characteristics of the processor and system to many application scenarios.

All of the peripherals, except for general-purpose I/O, CAN, TWI, Real-Time Clock, and timers, are supported by a flexible DMA structure. There are also separate memory DMA channels dedicated to data transfers between the processor's various memory spaces, including external SDRAM and asynchronous memory. Multiple on-chip buses running at up to 133 MHz provide enough bandwidth to keep the processor core running along with activity on all of the on-chip and external peripherals.

The ADSP-BF536/BF537 processor includes an on-chip voltage regulator in support of the ADSP-BF536/BF537 processor Dynamic Power Management capability. The voltage regulator provides a range of core voltage levels when supplied from a single 2.25 V to 3.6 V input. The voltage regulator can be bypassed at the user's discretion.

## BLACKFIN PROCESSOR CORE

As shown in [Figure 2 on Page 5](#), the Blackfin processor core contains two 16-bit multipliers, two 40-bit accumulators, two 40-bit ALUs, four video ALUs, and a 40-bit shifter. The computation units process 8-bit, 16-bit, or 32-bit data from the register file.

The compute register file contains eight 32-bit registers. When performing compute operations on 16-bit operand data, the register file operates as 16 independent 16-bit registers. All operands for compute operations come from the multiported register file and instruction constant fields.

Each MAC can perform a 16-bit by 16-bit multiply in each cycle, accumulating the results into the 40-bit accumulators. Signed and unsigned formats, rounding, and saturation are supported.

The ALUs perform a traditional set of arithmetic and logical operations on 16-bit or 32-bit data. In addition, many special instructions are included to accelerate various signal processing tasks. These include bit operations such as field extract and population count, modulo  $2^{32}$  multiply, divide primitives, saturation and rounding, and sign/exponent detection. The set of video instructions include byte alignment and packing operations, 16-bit and 8-bit adds with clipping, 8-bit average operations, and 8-bit subtract/absolute value/accumulate (SAA) operations. Also provided are the compare/select and vector search instructions.

For certain instructions, two 16-bit ALU operations can be performed simultaneously on register pairs (a 16-bit high half and 16-bit low half of a compute register). By also using the second ALU, quad 16-bit operations are possible.

The 40-bit shifter can perform shifts and rotates and is used to support normalization, field extract, and field deposit instructions.

The program sequencer controls the flow of instruction execution, including instruction alignment and decoding. For program flow control, the sequencer supports PC relative and indirect conditional jumps (with static branch prediction), and subroutine calls. Hardware is provided to support zero-overhead looping. The architecture is fully interlocked, meaning that the programmer need not manage the pipeline when executing instructions with data dependencies.

The address arithmetic unit provides two addresses for simultaneous dual fetches from memory. It contains a multiported register file consisting of four sets of 32-bit Index, Modify, Length, and Base registers (for circular buffering), and eight additional 32-bit pointer registers (for C-style indexed stack manipulation).

Blackfin processors support a modified Harvard architecture in combination with a hierarchical memory structure. Level 1 (L1) memories are those that typically operate at the full processor speed with little or no latency. At the L1 level, the instruction memory holds instructions only. The two data memories hold data, and a dedicated scratchpad data memory stores stack and local variable information.

In addition, multiple L1 memory blocks are provided, offering a configurable mix of SRAM and cache. The Memory Management Unit (MMU) provides memory protection for individual tasks that may be operating on the core and can protect system registers from unintended access.

The architecture provides three modes of operation: User mode, Supervisor mode, and Emulation mode. User mode has restricted access to certain system resources, thus providing a protected software environment, while Supervisor mode has unrestricted access to the system and core resources.

The Blackfin processor instruction set has been optimized so that 16-bit opcodes represent the most frequently used instructions, resulting in excellent compiled code density. Complex DSP instructions are encoded into 32-bit opcodes, representing fully featured multifunction instructions. Blackfin processors support a limited multi-issue capability, where a 32-bit instruction can be issued in parallel with two 16-bit instructions, allowing the programmer to use many of the core resources in a single instruction cycle.

The Blackfin processor assembly language uses an algebraic syntax for ease of coding and readability. The architecture has been optimized for use in conjunction with the C/C++ compiler, resulting in fast and efficient software implementations.

## MEMORY ARCHITECTURE

The ADSP-BF536/BF537 processor views memory as a single unified 4G byte address space, using 32-bit addresses. All resources, including internal memory, external memory, and I/O control registers, occupy separate sections of this common address space. The memory portions of this address space are arranged in a hierarchical structure to provide a good cost/performance balance of some very fast, low-latency on-chip memory as cache or SRAM, and larger, lower-cost and performance off-chip memory systems. See [Figure 3 on Page 6](#), and [Figure 4 on Page 6](#).

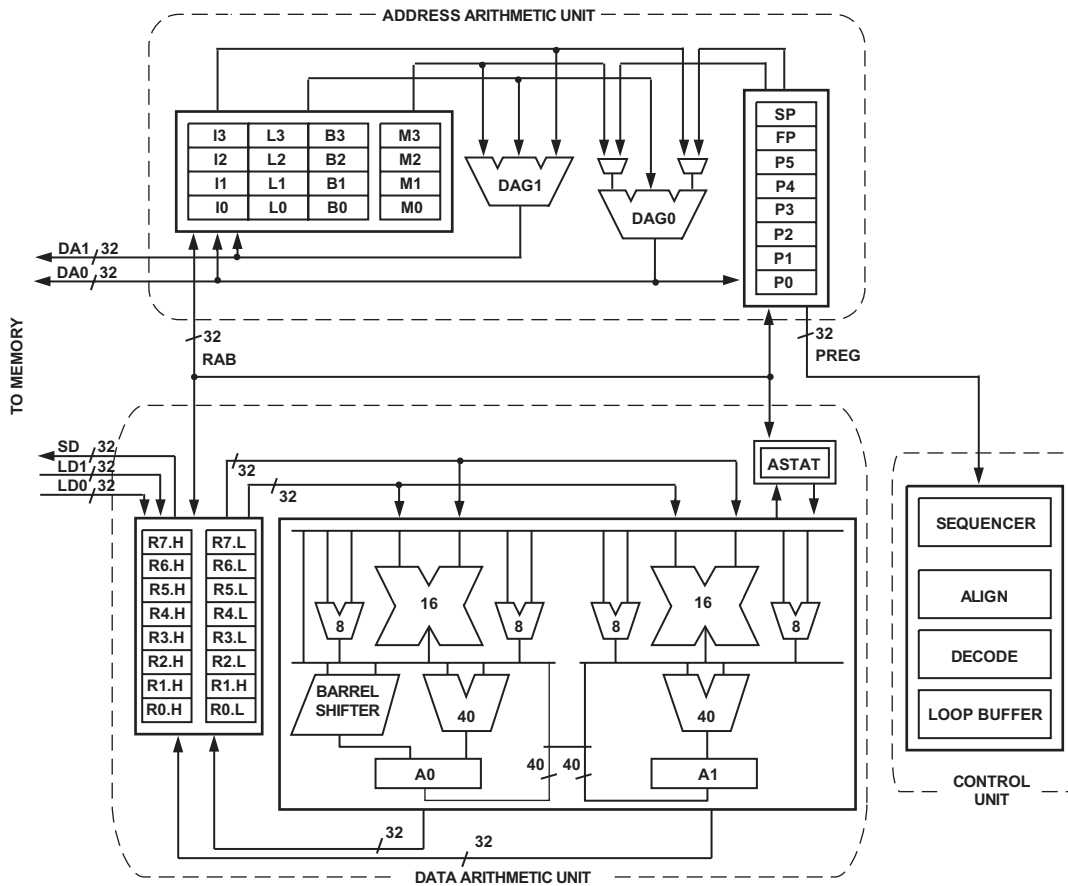


Figure 2. Blackfin Processor Core

The on-chip L1 memory system is the highest-performance memory available to the Blackfin processor. The off-chip memory system, accessed through the External Bus Interface Unit (EBIU), provides expansion with SDRAM, flash memory, and SRAM, optionally accessing up to 516M bytes of physical memory.

The memory DMA controller provides high-bandwidth data-movement capability. It can perform block transfers of code or data between the internal memory and the external memory spaces.

**Internal (On-chip) Memory**

The ADSP-BF536/BF537 processor has three blocks of on-chip memory providing high-bandwidth access to the core.

The first block is the L1 instruction memory, consisting of 64K bytes SRAM, of which 16K bytes can be configured as a four-way set-associative cache. This memory is accessed at full processor speed.

The second on-chip memory block is the L1 data memory, consisting of up to two banks of up to 32K bytes each. Each memory bank is configurable, offering both Cache and SRAM functionality. This memory block is accessed at full processor speed.

The third memory block is a 4K byte scratchpad SRAM which runs at the same speed as the L1 memories, but is only accessible as data SRAM and cannot be configured as cache memory.

**External (Off-Chip) Memory**

External memory is accessed via the EBIU. This 16-bit interface provides a glueless connection to a bank of synchronous DRAM (SDRAM) as well as up to four banks of asynchronous memory devices including flash, EPROM, ROM, SRAM, and memory mapped I/O devices.

The PC133-compliant SDRAM controller can be programmed to interface to up to 512M bytes of SDRAM. A separate row can be open for each SDRAM internal bank and the SDRAM controller supports up to 4 internal SDRAM banks, improving overall performance.

The asynchronous memory controller can be programmed to control up to four banks of devices with very flexible timing parameters for a wide variety of devices. Each bank occupies a 1M byte segment regardless of the size of the devices used, so that these banks will only be contiguous if each is fully populated with 1M byte of memory.



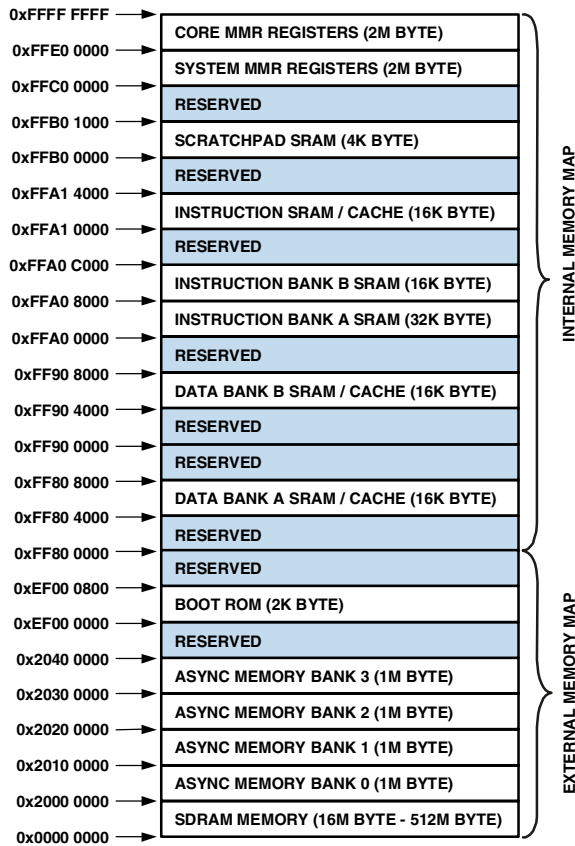


Figure 3. ADSP-BF536 Internal/External Memory Map

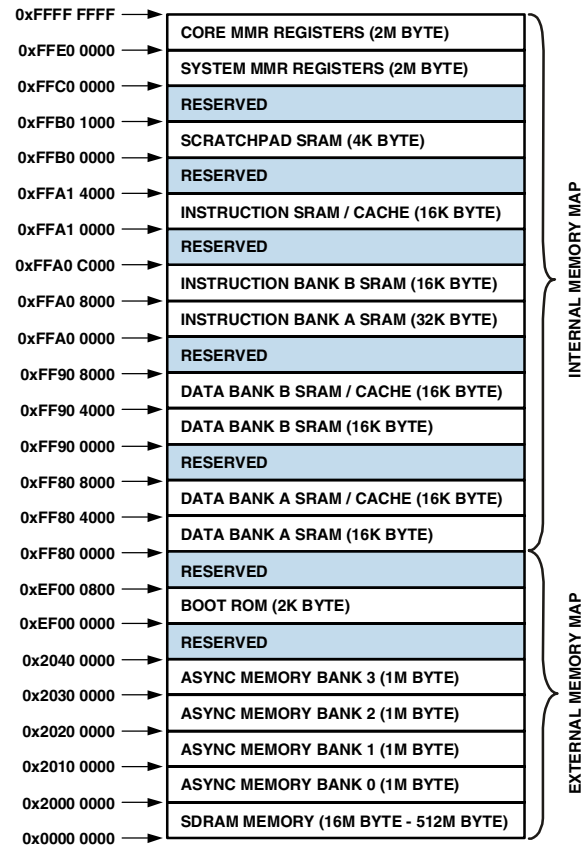


Figure 4. ADSP-BF537 Internal/External Memory Map

## I/O Memory Space

The ADSP-BF536/BF537 processors do not define a separate I/O space. All resources are mapped through the flat 32-bit address space. On-chip I/O devices have their control registers mapped into memory-mapped registers (MMRs) at addresses near the top of the 4G byte address space. These are separated into two smaller blocks, one which contains the control MMRs for all core functions, and the other which contains the registers needed for setup and control of the on-chip peripherals outside of the core. The MMRs are accessible only in supervisor mode and appear as reserved space to on-chip peripherals.

## Booting

The ADSP-BF536/BF537 processor contains a small on-chip Boot Kernel, which configures the appropriate peripheral for booting. If the ADSP-BF536/BF537 processor is configured to boot from Boot ROM memory space, the processor starts executing from the on-chip Boot ROM. For more information, see [Booting Modes on Page 16](#).

## Event Handling

The event controller on the ADSP-BF536/BF537 processor handles all asynchronous and synchronous events to the processor. The ADSP-BF536/BF537 processor provides event handling that supports both nesting and prioritization. Nesting allows multiple event service routines to be active simultaneously. Pri-

oritization ensures that servicing of a higher-priority event takes precedence over servicing of a lower-priority event. The controller provides support for five different types of events:

- Emulation – An emulation event causes the processor to enter emulation mode, allowing command and control of the processor via the JTAG interface.
- Reset – This event resets the processor.
- Non-Maskable Interrupt (NMI) – The NMI event can be generated by the software watchdog timer or by the NMI input signal to the processor. The NMI event is frequently used as a power-down indicator to initiate an orderly shut-down of the system.
- Exceptions – Events that occur synchronously to program flow (i.e., the exception will be taken before the instruction is allowed to complete). Conditions such as data alignment violations and undefined instructions cause exceptions.
- Interrupts – Events that occur asynchronously to program flow. They are caused by input pins, timers, and other peripherals, as well as by an explicit software instruction.

Each event type has an associated register to hold the return address and an associated return-from-event instruction. When an event is triggered, the state of the processor is saved on the supervisor stack.

The ADSP-BF536/BF537 processor Event Controller consists of two stages, the Core Event Controller (CEC) and the System Interrupt Controller (SIC). The Core Event Controller works with the System Interrupt Controller to prioritize and control all system events. Conceptually, interrupts from the peripherals enter into the SIC, and are then routed directly into the general-purpose interrupts of the CEC.

**Core Event Controller (CEC)**

The CEC supports nine general-purpose interrupts (IVG15–7), in addition to the dedicated interrupt and exception events. Of these general-purpose interrupts, the two lowest-priority interrupts (IVG15–14) are recommended to be reserved for software interrupt handlers, leaving seven prioritized interrupt inputs to support the peripherals of the ADSP-BF536/BF537 processor. Table 2 describes the inputs to the CEC, identifies their names in the Event Vector Table (EVT), and lists their priorities.

**Table 2. Core Event Controller (CEC)**

Priority (0 is Highest)	Event Class	EVT Entry
0	Emulation/Test Control	EMU
1	Reset	RST
2	Non-Maskable Interrupt	NMI
3	Exception	EVX
4	Reserved	—
5	Hardware Error	IVHW
6	Core Timer	IVTMR
7	General Interrupt 7	IVG7
8	General Interrupt 8	IVG8
9	General Interrupt 9	IVG9
10	General Interrupt 10	IVG10
11	General Interrupt 11	IVG11
12	General Interrupt 12	IVG12
13	General Interrupt 13	IVG13
14	General Interrupt 14	IVG14
15	General Interrupt 15	IVG15

**System Interrupt Controller (SIC)**

The System Interrupt Controller provides the mapping and routing of events from the many peripheral interrupt sources to the prioritized general-purpose interrupt inputs of the CEC. Although the ADSP-BF536/BF537 processor provides a default mapping, the user can alter the mappings and priorities of interrupt events by writing the appropriate values into the Interrupt Assignment Registers (IAR). Table 3 describes the inputs into the SIC and the default mappings into the CEC.

**Table 3. System Interrupt Controller (SIC)**

Peripheral Interrupt Event	Default Mapping	Peripheral Interrupt ID
PLL Wakeup	IVG7	0
DMA Error (generic)	IVG7	1
DMAR0 Block Interrupt	IVG7	1
DMAR1 Block Interrupt	IVG7	1
DMAR0 Overflow Error	IVG7	1
DMAR1 Overflow Error	IVG7	1
CAN Error	IVG7	2
Ethernet Error	IVG7	2
SPORT 0 Error	IVG7	2
SPORT 1 Error	IVG7	2
PPI Error	IVG7	2
SPI Error	IVG7	2
UART0 Error	IVG7	2
UART1 Error	IVG7	2
Real-Time Clock	IVG8	3
DMA Channel 0 (PPI)	IVG8	4
DMA Channel 3 (SPORT 0 RX)	IVG9	5
DMA Channel 4 (SPORT 0 TX)	IVG9	6
DMA Channel 5 (SPORT 1 RX)	IVG9	7
DMA Channel 6 (SPORT 1 TX)	IVG9	8
TWI	IVG10	9
DMA Channel 7 (SPI)	IVG10	10
DMA Channel 8 (UART0 RX)	IVG10	11
DMA Channel 9 (UART0 TX)	IVG10	12
DMA Channel 10 (UART1 RX)	IVG10	13
DMA Channel 11 (UART1 TX)	IVG10	14
CAN RX	IVG11	15
CAN TX	IVG11	16
DMA Channel 1 (Ethernet RX)	IVG11	17
Port H Interrupt A	IVG11	17
DMA Channel 2 (Ethernet TX)	IVG11	18

**Table 3. System Interrupt Controller (SIC) (Continued)**

Peripheral Interrupt Event	Default Mapping	Peripheral Interrupt ID
Port H Interrupt B	IVG11	18
Timer 0	IVG12	19
Timer 1	IVG12	20
Timer 2	IVG12	21
Timer 3	IVG12	22
Timer 4	IVG12	23
Timer 5	IVG12	24
Timer 6	IVG12	25
Timer 7	IVG12	26
Port F, G Interrupt A	IVG12	27
Port G Interrupt B	IVG12	28
DMA Channels 12 and 13 (Memory DMA Stream 0)	IVG13	29
DMA Channels 14 and 15 (Memory DMA Stream 1)	IVG13	30
Software Watchdog Timer	IVG13	31
Port F Interrupt B	IVG13	31

### Event Control

The ADSP-BF536/BF537 processor provides the user with a very flexible mechanism to control the processing of events. In the CEC, three registers are used to coordinate and control events. Each register is 16 bits wide:

- CEC Interrupt Latch Register (ILAT) – The ILAT register indicates when events have been latched. The appropriate bit is set when the processor has latched the event and cleared when the event has been accepted into the system. This register is updated automatically by the controller, but it may be written only when its corresponding IMASK bit is cleared.
- CEC Interrupt Mask Register (IMASK) – The IMASK register controls the masking and unmasking of individual events. When a bit is set in the IMASK register, that event is unmasked and will be processed by the CEC when asserted. A cleared bit in the IMASK register masks the event, preventing the processor from servicing the event even though the event may be latched in the ILAT register. This register may be read or written while in supervisor mode. (Note that general-purpose interrupts can be globally enabled and disabled with the STI and CLI instructions, respectively.)
- CEC Interrupt Pending Register (IPEND) – The IPEND register keeps track of all nested events. A set bit in the IPEND register indicates the event is currently active or nested at some level. This register is updated automatically by the controller but may be read while in supervisor mode.

The SIC allows further control of event processing by providing three 32-bit interrupt control and status registers. Each register contains a bit corresponding to each of the peripheral interrupt events shown in [Table 3 on Page 7](#).

- SIC Interrupt Mask Register (SIC\_IMASK)– This register controls the masking and unmasking of each peripheral interrupt event. When a bit is set in the register, that peripheral event is unmasked and will be processed by the system when asserted. A cleared bit in the register masks the peripheral event, preventing the processor from servicing the event.
- SIC Interrupt Status Register (SIC\_ISR) – As multiple peripherals can be mapped to a single event, this register allows the software to determine which peripheral event source triggered the interrupt. A set bit indicates the peripheral is asserting the interrupt, and a cleared bit indicates the peripheral is not asserting the event.
- SIC Interrupt Wakeup Enable Register (SIC\_IWR) – By enabling the corresponding bit in this register, a peripheral can be configured to wake up the processor, should the core be idled when the event is generated. (For more information, see [Dynamic Power Management on Page 13](#).)

Because multiple interrupt sources can map to a single general-purpose interrupt, multiple pulse assertions can occur simultaneously, before or during interrupt processing for an interrupt event already detected on this interrupt input. The IPEND register contents are monitored by the SIC as the interrupt acknowledgement.

The appropriate ILAT register bit is set when an interrupt rising edge is detected (detection requires two core clock cycles). The bit is cleared when the respective IPEND register bit is set. The IPEND bit indicates that the event has entered into the processor pipeline. At this point the CEC will recognize and queue the next rising edge event on the corresponding event input. The minimum latency from the rising edge transition of the general-purpose interrupt to the IPEND output asserted is three core clock cycles; however, the latency can be much higher, depending on the activity within and the state of the processor.

### DMA CONTROLLERS

The ADSP-BF536/BF537 processor has multiple, independent DMA controllers that support automated data transfers with minimal overhead for the processor core. DMA transfers can occur between the ADSP-BF536/BF537 processor's internal memories and any of its DMA-capable peripherals. Additionally, DMA transfers can be accomplished between any of the DMA-capable peripherals and external devices connected to the external memory interfaces, including the SDRAM controller and the asynchronous memory controller. DMA-capable peripherals include the Ethernet MAC, SPORTs, SPI port, UARTs, and PPI. Each individual DMA-capable peripheral has at least one dedicated DMA channel.

The ADSP-BF536/BF537 processor DMA controller supports both 1-dimensional (1D) and 2-dimensional (2D) DMA transfers. DMA transfer initialization can be implemented from registers or from sets of parameters called descriptor blocks.



The 2D DMA capability supports arbitrary row and column sizes up to 64K elements by 64K elements, and arbitrary row and column step sizes up to  $\pm 32K$  elements. Furthermore, the column step size can be less than the row step size, allowing implementation of interleaved data streams. This feature is especially useful in video applications where data can be de-interleaved on the fly.

Examples of DMA types supported by the ADSP-BF536/BF537 processor DMA controller include:

- A single, linear buffer that stops upon completion
- A circular, auto-refreshing buffer that interrupts on each full or fractionally full buffer
- 1-D or 2-D DMA using a linked list of descriptors
- 2-D DMA using an array of descriptors, specifying only the base DMA address within a common page

In addition to the dedicated peripheral DMA channels, there are two memory DMA channels provided for transfers between the various memories of the ADSP-BF536/BF537 processor system. This enables transfers of blocks of data between any of the memories—including external SDRAM, ROM, SRAM, and flash memory—with minimal processor intervention. Memory DMA transfers can be controlled by a very flexible descriptor-based methodology or by a standard register-based autobuffer mechanism.

The ADSP-BF536/BF537 processors also include an external DMA controller capability via dual external DMA request pins when used in conjunction with the External Bus Interface Unit (EBIU). This functionality can be used when a high speed interface is required for external FIFOs and high bandwidth communications peripherals such as USB 2.0. It allows control of the number of data transfers for memDMA. The number of transfers per edge is programmable. This feature can be programmed to allow memDMA to have an increased priority on the external bus relative to the core.

## REAL-TIME CLOCK

The ADSP-BF536/BF537 processor Real-Time Clock (RTC) provides a robust set of digital watch features, including current time, stopwatch, and alarm. The RTC is clocked by a 32.768 KHz crystal external to the ADSP-BF536/BF537 processor. The RTC peripheral has dedicated power supply pins so that it can remain powered up and clocked even when the rest of the processor is in a low-power state. The RTC provides several programmable interrupt options, including interrupt per second, minute, hour, or day clock ticks, interrupt on programmable stopwatch countdown, or interrupt at a programmed alarm time.

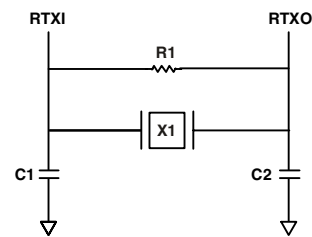
The 32.768 KHz input clock frequency is divided down to a 1 Hz signal by a prescaler. The counter function of the timer consists of four counters: a 60-second counter, a 60-minute counter, a 24-hour counter, and an 32,768-day counter.

When enabled, the alarm function generates an interrupt when the output of the timer matches the programmed value in the alarm control register. There are two alarms: The first alarm is for a time of day. The second alarm is for a day and time of that day.

The stopwatch function counts down from a programmed value, with one-second resolution. When the stopwatch is enabled and the counter underflows, an interrupt is generated.

Like the other peripherals, the RTC can wake up the ADSP-BF536/BF537 processor from Sleep mode upon generation of any RTC wakeup event. Additionally, an RTC wakeup event can wake up the ADSP-BF536/BF537 processor from Deep Sleep mode, and wake up the on-chip internal voltage regulator from the Hibernate operating mode.

Connect RTC pins RTXI and RTXO with external components as shown in Figure 5.



SUGGESTED COMPONENTS:  
 ECLIPTEK EC38J (THROUGH-HOLE PACKAGE)  
 EPSON MC405 12 PF LOAD (SURFACE MOUNT PACKAGE)  
 C1 = 22 PF  
 C2 = 22 PF  
 R1 = 10 MΩ

NOTE: C1 AND C2 ARE SPECIFIC TO CRYSTAL SPECIFIED FOR X1. CONTACT CRYSTAL MANUFACTURER FOR DETAILS. C1 AND C2 SPECIFICATIONS ASSUME BOARD TRACE CAPACITANCE OF 3 PF.

Figure 5. External Components for RTC

## WATCHDOG TIMER

The ADSP-BF536/BF537 processor includes a 32-bit timer that can be used to implement a software watchdog function. A software watchdog can improve system availability by forcing the processor to a known state through generation of a hardware reset, non-maskable interrupt (NMI), or general-purpose interrupt, if the timer expires before being reset by software. The programmer initializes the count value of the timer, enables the appropriate interrupt, then enables the timer. Thereafter, the software must reload the counter before it counts to zero from the programmed value. This protects the system from remaining in an unknown state where software, which would normally reset the timer, has stopped running due to an external noise condition or software error.

If configured to generate a hardware reset, the watchdog timer resets both the core and the ADSP-BF536/BF537 processor peripherals. After a reset, software can determine if the watchdog was the source of the hardware reset by interrogating a status bit in the watchdog timer control register.

The timer is clocked by the system clock (SCLK), at a maximum frequency of  $f_{SCLK}$ .

## TIMERS

There are nine general-purpose programmable timer units in the ADSP-BF536/BF537 processor. Eight timers have an external pin that can be configured either as a Pulse Width Modulator (PWM) or timer output, as an input to clock the timer, or as a mechanism for measuring pulse widths and periods of external events. These timers can be synchronized to an external clock input to the several other associated PF pins, an external clock input to the PPI\_CLK input pin, or to the internal SCLK.

The timer units can be used in conjunction with the two UARTs and the CAN controller to measure the width of the pulses in the data stream to provide a software auto-baud detect function for the respective serial channels.

The timers can generate interrupts to the processor core providing periodic events for synchronization, either to the system clock or to a count of external signals.

In addition to the eight general-purpose programmable timers, a ninth timer is also provided. This extra timer is clocked by the internal processor clock and is typically used as a system tick clock for generation of operating system periodic interrupts.

## SERIAL PORTS (SPORTS)

The ADSP-BF536/BF537 processor incorporates two dual-channel synchronous serial ports (SPORT0 and SPORT1) for serial and multiprocessor communications. The SPORTs support the following features:

- I<sup>2</sup>S capable operation.
- Bidirectional operation – Each SPORT has two sets of independent transmit and receive pins, enabling eight channels of I<sup>2</sup>S stereo audio.
- Buffered (8-deep) transmit and receive ports – Each port has a data register for transferring data words to and from other processor components and shift registers for shifting data in and out of the data registers.
- Clocking – Each transmit and receive port can either use an external serial clock or generate its own, in frequencies ranging from ( $f_{SCLK}/131,070$ ) Hz to ( $f_{SCLK}/2$ ) Hz.
- Word length – Each SPORT supports serial data words from 3 to 32 bits in length, transferred most-significant-bit first or least-significant-bit first.
- Framing – Each transmit and receive port can run with or without frame sync signals for each data word. Frame sync signals can be generated internally or externally, active high or low, and with either of two pulsewidths and early or late frame sync.
- Companding in hardware – Each SPORT can perform A-law or  $\mu$ -law companding according to ITU recommendation G.711. Companding can be selected on the transmit and/or receive channel of the SPORT without additional latencies.

- DMA operations with single-cycle overhead – Each SPORT can automatically receive and transmit multiple buffers of memory data. The processor can link or chain sequences of DMA transfers between a SPORT and memory.
- Interrupts – Each transmit and receive port generates an interrupt upon completing the transfer of a data word or after transferring an entire data buffer or buffers through DMA.
- Multichannel capability – Each SPORT supports 128 channels out of a 1024-channel window and is compatible with the H.100, H.110, MVIP-90, and HMVIP standards.

## SERIAL PERIPHERAL INTERFACE (SPI) PORT

The ADSP-BF536/BF537 processor has an SPI-compatible port that enables the processor to communicate with multiple SPI-compatible devices.

The SPI interface uses three pins for transferring data: two data pins (Master Output-Slave Input, MOSI, and Master Input-Slave Output, MISO) and a clock pin (Serial Clock, SCK). An SPI chip select input pin (SPISS) lets other SPI devices select the processor, and seven SPI chip select output pins (SPISEL7–1) let the processor select other SPI devices. The SPI select pins are reconfigured Programmable Flag pins. Using these pins, the SPI port provides a full-duplex, synchronous serial interface, which supports both master/slave modes and multimaster environments.

The SPI port's baud rate and clock phase/polarities are programmable, and it has an integrated DMA controller, configurable to support transmit or receive data streams. The SPI's DMA controller can only service unidirectional accesses at any given time.

The SPI port's clock rate is calculated as:

$$SPI \text{ Clock Rate} = \frac{f_{SCLK}}{2 \times SPI\_Baud}$$

Where the 16-bit SPI\_Baud register contains a value of 2 to 65,535.

During transfers, the SPI port simultaneously transmits and receives by serially shifting data in and out on its two serial data lines. The serial clock line synchronizes the shifting and sampling of data on the two serial data lines.

## UART PORTS (UARTS)

The ADSP-BF536/BF537 processor provides two full-duplex Universal Asynchronous Receiver/Transmitter (UART) ports, which are fully compatible with PC-standard UARTs. Each UART port provides a simplified UART interface to other peripherals or hosts, supporting full-duplex, DMA-supported, asynchronous transfers of serial data. A UART port includes support for 5 to 8 data bits, 1 or 2 stop bits, and none, even, or odd parity. Each UART port supports two modes of operation:

- PIO (Programmed I/O) – The processor sends or receives data by writing or reading I/O-mapped UART registers. The data is double-buffered on both transmit and receive.
- DMA (Direct Memory Access) – The DMA controller transfers both transmit and receive data. This reduces the number and frequency of interrupts required to transfer data to and from memory. The UART has two dedicated DMA channels, one for transmit and one for receive. These DMA channels have lower default priority than most DMA channels because of their relatively low service rates.

Each UART port's baud rate, serial data format, error code generation and status, and interrupts are programmable:

- Supporting bit rates ranging from ( $f_{SCLK}/1,048,576$ ) to ( $f_{SCLK}/16$ ) bits per second.
- Supporting data formats from 7 to 12 bits per frame.
- Both transmit and receive operations can be configured to generate maskable interrupts to the processor.

The UART port's clock rate is calculated as:

$$\text{UART Clock Rate} = \frac{f_{SCLK}}{16 \times \text{UART\_Divisor}}$$

Where the 16-bit UART\_Divisor comes from the DLH register (most significant 8 bits) and DLL register (least significant 8 bits).

In conjunction with the general-purpose timer functions, auto-baud detection is supported.

The capabilities of the UARTs are further extended with support for the Infrared Data Association (IrDA®) Serial Infrared Physical Layer Link Specification (SIR) protocol.

## CONTROLLER AREA NETWORK (CAN)

The ADSP-BF536/BF537 processor offers a CAN controller that is a communication controller implementing the Controller Area Network (CAN) 2.0B (active) protocol. This protocol is an asynchronous communications protocol used in both industrial and automotive control systems. The CAN protocol is well suited for control applications due to its capability to communicate reliably over a network since the protocol incorporates CRC checking message error tracking, and fault node confinement.

The ADSP-BF536/BF537 CAN controller offers the following features:

- 32 mailboxes (8 receive only, 8 transmit only, 16 configurable for receive or transmit).
- Dedicated acceptance masks for each mailbox.
- Additional data filtering on first two bytes.
- Support for both the standard (11-bit) and extended (29-bit) identifier (ID) message formats.
- Support for remote frames.
- Active or passive network support.
- CAN wakeup from Hibernation Mode (lowest static power consumption mode).
- Interrupts, including: TX Complete, RX Complete, Error, Global.

The electrical characteristics of each network connection are very demanding so the CAN interface is typically divided into two parts: a controller and a transceiver. This allows a single controller to support different drivers and CAN networks. The ADSP-BF536/BF537 CAN module represents only the controller part of the interface. The controller interface supports connection to 3.3V high-speed, fault-tolerant, single-wire transceivers.

## TWI CONTROLLER INTERFACE

The ADSP-BF536/BF537 processor includes a Two Wire Interface (TWI) module for providing a simple exchange method of control data between multiple devices. The TWI is compatible with the widely used I<sup>2</sup>C bus standard. The TWI module offers the capabilities of simultaneous Master and Slave operation, support for both 7-bit addressing and multimedia data arbitration. The TWI interface utilizes two pins for transferring clock (SCL) and data (SDA) and supports the protocol at speeds up to 400k bits/sec. The TWI interface pins are compatible with 5 V logic levels.

Additionally, the ADSP-BF536/BF537 processor's TWI module is fully compatible with Serial Camera Control Bus (SCCB) functionality for easier control of various CMOS camera sensor devices.

## 10/100 ETHERNET MAC

The ADSP-BF536/BF537 processor offers the capability to directly connect to a network by way of an embedded Fast Ethernet Medium Access Controller (MAC) that supports both 10-BaseT (10Mbps/sec) and 100-BaseT (100Mbps/sec) operation. The 10/100 Ethernet MAC peripheral on the ADSP-BF536/BF537 is fully compliant to the IEEE 802.3-2002 standard and it provides programmable features designed to minimize supervision, bus utilization, or message processing by the rest of the processor system.

Some standard features are:

- Support of MII and RMII protocols for external PHYs.
- Full Duplex and Half Duplex modes.

- Data framing and encapsulation: generation and detection of preamble, length padding, and FCS.
- Media access management (in Half-Duplex operation): collision and contention handling, including control of retransmission of collision frames and of back-off timing.
- Flow control (in Full-Duplex operation): generation and detection of PAUSE frames.
- Station management: generation of MDC/MDIO frames for read-write access to PHY registers.
- SCLK operating range down to 25MHz (Active and Sleep operating modes).
- Internal loopback from TX to RX.

Some advanced features are:

- Buffered crystal output to external PHY for support of a single crystal system.
- Automatic checksum computation of IP header and IP payload fields of RX frames.
- Independent 32-bit descriptor-driven RX and TX DMA channels.
- Frame status delivery to memory via DMA, including frame completion semaphores, for efficient buffer queue management in software.
- TX DMA support for separate descriptors for MAC header and payload to eliminate buffer copy operations.
- Convenient frame alignment modes support even 32-bit alignment of encapsulated RX or TX IP packet data in memory after the 14-byte MAC header.
- Programmable Ethernet event interrupt supports any combination of:
  - Any selected RX or TX frame status conditions.
  - PHY interrupt condition.
  - Wakeup frame detected.
  - Any selected MAC management counter(s) at half-full.
  - DMA descriptor error.
- 47 MAC management statistics counters with selectable clear-on-read behavior and programmable interrupts on half maximum value.
- Programmable RX address filters, including a 64-bin address hash table for multicast and/or unicast frames, and programmable filter modes for broadcast, multicast, unicast, control, and damaged frames.
- Advanced power management supporting unattended transfer of RX and TX frames and status to/from external memory via DMA during low-power Sleep mode.
- System wakeup from Sleep operating mode upon magic packet or any of four user-definable wakeup frame filters.
- Support for 802.3Q tagged VLAN frames.
- Programmable MDC clock rate and preamble suppression.
- In RMI operation, 7 unused pins may be configured as GPIO pins for other purposes.

## PORTS

Because of the rich set of peripherals, the ADSP-BF536/BF537 processor groups the many peripheral signals to four ports—Port F, Port G, Port H, and Port J. Most of the associated pins are shared by multiple signals. The ports function as multiplexer controls. Eight of the pins (Port F7–0) offer high source/high sink current capabilities.

### General-Purpose I/O (GPIO)

The ADSP-BF536/BF537 processor has 48 bi-directional, general-purpose I/O (GPIO) pins allocated across three separate GPIO modules—PORTFIO, PORTGIO, and PORTHIO, associated with Port F, Port G, and Port H, respectively. Port J does not provide GPIO functionality. Each GPIO-capable pin shares functionality with other ADSP-BF536/BF537 processor peripherals via a multiplexing scheme; however, the GPIO functionality is the default state of the device upon power-up. Neither GPIO output or input drivers are active by default. Each general-purpose port pin can be individually controlled by manipulation of the port control, status, and interrupt registers:

- GPIO Direction Control Register – Specifies the direction of each individual GPIO pin as input or output.
- GPIO Control and Status Registers – The ADSP-BF536/BF537 processor employs a “write one to modify” mechanism that allows any combination of individual GPIO pins to be modified in a single instruction, without affecting the level of any other GPIO pins. Four control registers are provided. One register is written in order to set pin values, one register is written in order to clear pin values, one register is written in order to toggle pin values, and one register is written in order to specify a pin value. Reading the GPIO status register allows software to interrogate the sense of the pins.
- GPIO Interrupt Mask Registers – The two GPIO Interrupt Mask registers allow each individual GPIO pin to function as an interrupt to the processor. Similar to the two GPIO Control Registers that are used to set and clear individual pin values, one GPIO Interrupt Mask Register sets bits to enable interrupt function, and the other GPIO Interrupt Mask register clears bits to disable interrupt function. GPIO pins defined as inputs can be configured to generate hardware interrupts, while output pins can be triggered by software interrupts.
- GPIO Interrupt Sensitivity Registers – The two GPIO Interrupt Sensitivity Registers specify whether individual pins are level- or edge-sensitive and specify—if edge-sensitive—whether just the rising edge or both the rising and falling edges of the signal are significant. One register selects the type of sensitivity, and one register selects which edges are significant for edge-sensitivity.

**PARALLEL PERIPHERAL INTERFACE (PPI)**

The ADSP-BF536/BF537 processor provides a Parallel Peripheral Interface (PPI) that can connect directly to parallel A/D and D/A converters, ITU-R-601/656 video encoders and decoders, and other general-purpose peripherals. The PPI consists of a dedicated input clock pin, up to 3 frame synchronization pins, and up to 16 data pins.

In ITU-R-656 modes, the PPI receives and parses a data stream of 8-bit or 10-bit data elements. On-chip decode of embedded preamble control and synchronization information is supported.

Three distinct ITU-R-656 modes are supported:

- Active Video Only Mode—The PPI does not read in any data between the End of Active Video (EAV) and Start of Active Video (SAV) preamble symbols, or any data present during the vertical blanking intervals. In this mode, the control byte sequences are not stored to memory; they are filtered by the PPI.
- Vertical Blanking Only Mode—The PPI only transfers Vertical Blanking Interval (VBI) data, as well as horizontal blanking information and control byte sequences on VBI lines.
- Entire Field Mode—The entire incoming bitstream is read in through the PPI. This includes active video, control preamble sequences, and ancillary data that may be embedded in horizontal and vertical blanking intervals.

Though not explicitly supported, ITU-R-656 output functionality can be achieved by setting up the entire frame structure (including active video, blanking, and control information) in memory and streaming the data out the PPI in a frame sync-less mode. The processor’s 2D DMA features facilitate this transfer by allowing the static frame buffer (blanking and control codes) to be placed in memory once, and simply updating the active video information on a per-frame basis.

The general-purpose modes of the PPI are intended to suit a wide variety of data capture and transmission applications. The modes are divided into four main categories, each allowing up to 16 bits of data transfer per PPI\_CLK cycle:

- Data Receive with Internally Generated Frame Syncs.
- Data Receive with Externally Generated Frame Syncs.
- Data Transmit with Internally Generated Frame Syncs
- Data Transmit with Externally Generated Frame Syncs

These modes support ADC/DAC connections, as well as video communication with hardware signalling. Many of the modes support more than one level of frame synchronization. If desired, a programmable delay can be inserted between assertion of a frame sync and reception/transmission of data.

**DYNAMIC POWER MANAGEMENT**

The ADSP-BF536/BF537 processor provides five operating modes, each with a different performance/power profile. In addition, Dynamic Power Management provides the control functions to dynamically alter the processor core supply voltage,

further reducing power dissipation. Control of clocking to each of the ADSP-BF536/BF537 processor peripherals also reduces power consumption. See Table 4 for a summary of the power settings for each mode.

**Full-On Operating Mode – Maximum Performance**

In the Full-On mode, the PLL is enabled and is not bypassed, providing capability for maximum operational frequency. This is the power-up default execution state in which maximum performance can be achieved. The processor core and all enabled peripherals run at full speed.

**Active Operating Mode – Moderate Power Savings**

In the Active mode, the PLL is enabled but bypassed. Because the PLL is bypassed, the processor’s core clock (CCLK) and system clock (SCLK) run at the input clock (CLKIN) frequency. In this mode, the CLKIN to CCLK multiplier ratio can be changed, although the changes are not realized until the Full-On mode is entered. DMA access is available to appropriately configured L1 memories.

In the Active mode, it is possible to disable the PLL through the PLL Control register (PLL\_CTL). If disabled, the PLL must be re-enabled before transitioning to the Full-On or Sleep modes.

**Table 4. Power Settings**

Mode	PLL	PLL Bypassed	Core Clock (CCLK)	System Clock (SCLK)	Core Power
Full On	Enabled	No	Enabled	Enabled	On
Active	Enabled/Disabled	Yes	Enabled	Enabled	On
Sleep	Enabled	-	Disabled	Enabled	On
Deep Sleep	Disabled	-	Disabled	Disabled	On
Hibernate	Disabled	-	Disabled	Disabled	Off

**Sleep Operating Mode – High Dynamic Power Savings**

The Sleep mode reduces dynamic power dissipation by disabling the clock to the processor core (CCLK). The PLL and system clock (SCLK), however, continue to operate in this mode. Typically an external event or RTC activity will wake up the processor. When in the Sleep mode, assertion of wakeup will cause the processor to sense the value of the BYPASS bit in the PLL Control register (PLL\_CTL). If BYPASS is disabled, the processor will transition to the Full On mode. If BYPASS is enabled, the processor will transition to the Active mode.

When in the Sleep mode, system DMA access to L1 memory is not supported.

**Deep Sleep Operating Mode – Maximum Dynamic Power Savings**

The Deep Sleep mode maximizes dynamic power savings by disabling the clocks to the processor core (CCLK) and to all synchronous peripherals (SCLK). Asynchronous peripherals, such as the RTC, may still be running but will not be able to access



internal resources or external memory. This powered-down mode can only be exited by assertion of the reset interrupt ( $\overline{\text{RESET}}$ ) or by an asynchronous interrupt generated by the RTC. When in Deep Sleep mode, an RTC asynchronous interrupt causes the processor to transition to the Active mode. Assertion of  $\overline{\text{RESET}}$  while in Deep Sleep mode causes the processor to transition to the Full On mode.

### Hibernate Operating Mode – Maximum Static Power Savings

The hibernate mode maximizes static power savings by disabling the voltage and clocks to the processor core (CCLK) and to all the synchronous peripherals (SCLK). The internal voltage regulator for the processor can be shut off by writing b#00 to the FREQ bits of the VR\_CTL register. This disables both CCLK and SCLK. Furthermore, it sets the internal power supply voltage ( $V_{\text{DDINT}}$ ) to 0V to provide the greatest power savings mode. Any critical information stored internally (memory contents, register contents, etc.) must be written to a non-volatile storage device prior to removing power if the processor state is to be preserved.

Since  $V_{\text{DDEXT}}$  is still supplied in this mode, all of the external pins tri-state, unless otherwise specified. This allows other devices that may be connected to the processor to have power still applied without drawing unwanted current.

The internal supply regulator can be woken up by CAN or by Ethernet. It can also be woken up by a Real-Time Clock wakeup event or by asserting the  $\overline{\text{RESET}}$  pin, both of which initiate the hardware reset sequence.

With the exception of the VR\_CTL and the RTC registers, all internal registers and memories lose their content in hibernate state. State variables may be held in external SRAM or SDRAM. The KELOW bit in the VR\_CTL register controls whether SDRAM operates in self-refresh mode to retain its content while the processor is in reset.

### Power Savings

As shown in Table 5, the ADSP-BF536/BF537 processor supports three different power domains. The use of multiple power domains maximizes flexibility, while maintaining compliance with industry standards and conventions. By isolating the internal logic of the ADSP-BF536/BF537 processor into its own power domain, separate from the RTC and other I/O, the processor can take advantage of Dynamic Power Management, without affecting the RTC or other I/O devices. There are no sequencing requirements for the various power domains.

**Table 5. Power Domains**

Power Domain	VDD Range
All internal logic, except RTC	$V_{\text{DDINT}}$
RTC internal logic and crystal I/O	$V_{\text{DDRTC}}$
All other I/O	$V_{\text{DDEXT}}$

The power dissipated by a processor is largely a function of the clock frequency of the processor and the square of the operating voltage. For example, reducing the clock frequency by 25%

results in a 25% reduction in power dissipation, while reducing the voltage by 25% reduces power dissipation by more than 40%. Further, these power savings are additive, in that if the clock frequency and supply voltage are both reduced, the power savings can be dramatic.

The Dynamic Power Management feature of the ADSP-BF536/BF537 processor allows both the processor's input voltage ( $V_{\text{DDINT}}$ ) and clock frequency ( $f_{\text{CCLK}}$ ) to be dynamically controlled.

As explained above, the savings in power dissipation can be modeled by the following equations:

*Power Savings Factor*

$$= \frac{f_{\text{CCLKRED}}}{f_{\text{CCLKNOM}}} \times \left( \frac{V_{\text{DDINTRED}}}{V_{\text{DDINTNOM}}} \right)^2 \times \left( \frac{T_{\text{RED}}}{T_{\text{NOM}}} \right)$$

$$\% \text{ Power Savings} = (1 - \text{Power Savings Factor}) \times 100\%$$

where the variables in the equations are:

- $f_{\text{CCLKNOM}}$  is the nominal core clock frequency
- $f_{\text{CCLKRED}}$  is the reduced core clock frequency
- $V_{\text{DDINTNOM}}$  is the nominal internal supply voltage
- $V_{\text{DDINTRED}}$  is the reduced internal supply voltage
- $T_{\text{NOM}}$  is the duration running at  $f_{\text{CCLKNOM}}$
- $T_{\text{RED}}$  is the duration running at  $f_{\text{CCLKRED}}$

### VOLTAGE REGULATION

The ADSP-BF536/BF537 processor provides an on-chip voltage regulator that can generate processor core voltage levels (0.85V to 1.2V guaranteed from -5% to 10%) from an external 2.25 V to 3.6 V supply. Figure 6 shows the typical external components required to complete the power management system. The regulator controls the internal logic voltage levels and is programmable with the Voltage Regulator Control Register (VR\_CTL) in increments of 50 mV. To reduce standby power consumption, the internal voltage regulator can be programmed to remove power to the processor core while keeping I/O power supplied. While in Hibernate mode,  $V_{\text{DDEXT}}$  can still be applied, eliminating the need for external buffers. The voltage regulator can be activated from this power down state by assertion of the  $\overline{\text{RESET}}$  pin, which will then initiate a boot sequence. The regulator can also be disabled and bypassed at the user's discretion.

### CLOCK SIGNALS

The ADSP-BF536/BF537 processor can be clocked by an external crystal, a sine wave input, or a buffered, shaped clock derived from an external clock oscillator.

If an external clock is used, it should be a TTL compatible signal and must not be halted, changed, or operated below the specified frequency during normal operation. This signal is connected to the processor's CLKIN pin. When an external clock is used, the XTAL pin must be left unconnected.

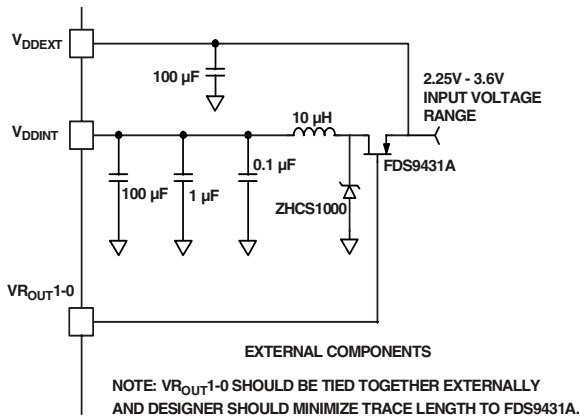


Figure 6. Voltage Regulator Circuit

Alternatively, because the ADSP-BF536/BF537 processor includes an on-chip oscillator circuit, an external crystal may be used. For fundamental frequency operation, use the circuit shown in Figure 7. A parallel-resonant, fundamental frequency, microprocessor-grade crystal is connected across the CLKIN and XTAL pins. The on-chip resistance between CLKIN and the XTAL pin is in the 500 kOhm range. Further parallel resistors are typically not recommended. The two capacitors and the series resistor shown in Figure 7 fine tune phase and amplitude of the sine frequency.

The capacitor and resistor values shown in Figure 7 are typical values only. The capacitor values are dependent upon the crystal manufacturers' load capacitance recommendations and the PCB physical layout. The resistor value depends on the drive level specified by the crystal manufacturer. The user should verify the customized values based on careful investigations on multiple devices over temperature range.

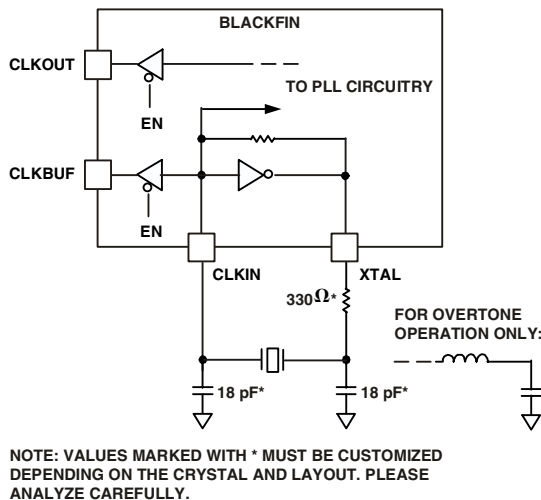


Figure 7. External Crystal Connections

If the user prefers, a third-overtone crystal can be used as frequencies above 25 MHz. The circuit is then modified to ensure crystal operation only at the third overtone, by adding a tuned inductor circuit as shown in Figure 7. A design procedure for third-overtone operation is discussed in detail in application note EE-168.

The CLKBUF pin is an output pin, and is a buffer version of the input clock. This pin is particularly useful in Ethernet applications to limit the number of required clock sources in the system. In this type of application, a single 25 MHz or 50 MHz crystal may be applied directly to the ADSP-BF536/BF537 processor. The 25 MHz or 50 MHz output of CLKBUF can then be connected to an external Ethernet MII or RMII PHY device. Note that on the ADSP-BF536, due to the default 10x PLL multiplier, providing a 50 MHz CLKIN would exceed the recommended operating conditions of the 300 MHz and 400 MHz speed grades. Because of this restriction, the RMII PHY cannot be clocked directly from the CLKBUF pin. A separate 50 MHz clock source would need to be provided. The CLKBUF output is active by default and can be disabled by the VR\_CTL register for power savings

The Blackfin core is running at a different clock rate than the on-chip peripherals. As shown in Figure 8 on Page 15, the core clock (CCLK) and system peripheral clock (SCLK) are derived from the input clock (CLKIN) signal. An on-chip PLL is capable of multiplying the CLKIN signal by a user programmable 1x to 63x multiplication factor (bounded by specified minimum and maximum VCO frequencies). The default multiplier is 10x, but it can be modified by a software instruction sequence in the PLL\_CTL register.

On-the-fly CCLK and SCLK frequency changes can be effected by simply writing to the PLL\_DIV register. Whereas the maximum allowed CCLK and SCLK rates depend on the applied voltages VDDINT and VDDEXT, the VCO is always permitted to run up to the frequency specified by the part's speed grade. The CLKOUT pin reflects the SCLK frequency to the off-chip world. It belongs to the SDRAM interface, but it functions as reference signal in other timing specifications as well. While active by default, it can be disabled by the EBIU\_SDGCTL and EBIU\_AMGCTL registers.

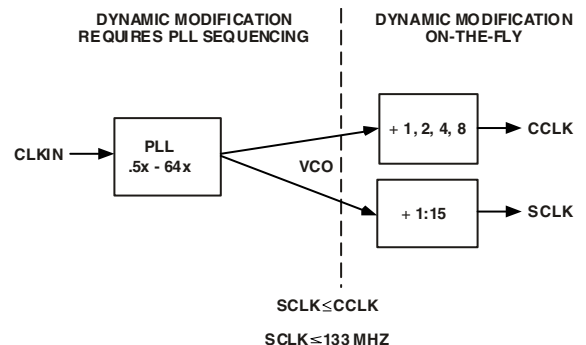


Figure 8. Frequency Modification Methods

All on-chip peripherals are clocked by the system clock (SCLK). The system clock frequency is programmable by means of the SSEL3-0 bits of the PLL\_DIV register. The values programmed into the SSEL fields define a divide ratio between the PLL output (VCO) and the system clock. SCLK divider values are 1 through 15. Table 6 illustrates typical system clock ratios:

**Table 6. Example System Clock Ratios**

Signal Name SSEL3-0	Divider Ratio VCO/SCLK	Example Frequency Ratios (MHz)	
		VCO	SCLK
0001	1:1	100	100
0110	6:1	300	50
1010	10:1	500	50

Note that the divisor ratio must be chosen to limit the system clock frequency to its maximum of  $f_{SCLK}$ . The SSEL value can be changed dynamically without any PLL lock latencies by writing the appropriate values to the PLL divisor register (PLL\_DIV).

The core clock (CCLK) frequency can also be dynamically changed by means of the CSEL1-0 bits of the PLL\_DIV register. Supported CCLK divider ratios are 1, 2, 4, and 8, as shown in Table 7. This programmable core clock capability is useful for fast core frequency modifications.

**Table 7. Core Clock Ratios**

Signal Name CSEL1-0	Divider Ratio VCO/CCLK	Example Frequency Ratios	
		VCO	CCLK
00	1:1	300	300
01	2:1	300	150
10	4:1	500	125
11	8:1	200	25

The maximum CCLK frequency not only depends on the part's speed grade (see page 64), it also depends on the applied  $V_{DDINT}$  voltage. See Table 10 - Table 13 for details. The maximal system clock rate (SCLK) depends on the chip package and the applied  $V_{DDEXT}$  voltage (see Table 15).

## BOOTING MODES

The ADSP-BF536/BF537 processor has six mechanisms (listed in Table 8) for automatically loading internal and external memory after a reset. A seventh mode is provided to execute from external memory, bypassing the boot sequence.

**Table 8. Booting Modes**

BMODE2-0	Description
000	Execute from 16-bit external memory (Bypass Boot ROM)
001	Boot from 8-bit or 16-bit memory (EPROM/flash)
010	Reserved
011	Boot from serial SPI memory (EEPROM/flash)

**Table 8. Booting Modes**

BMODE2-0	Description
100	Boot from SPI host (slave mode)
101	Boot from serial TWI memory (EEPROM/flash)
110	Boot from TWI host (slave mode)
111	Boot from UART host (slave mode)

The BMODE pins of the Reset Configuration Register, sampled during power-on resets and software-initiated resets, implement the following modes:

- Execute from 16-bit external memory – Execution starts from address 0x2000 0000 with 16-bit packing. The Boot ROM is bypassed in this mode. All configuration settings are set for the slowest device possible (3-cycle hold time; 15-cycle R/W access times; 4-cycle setup).
- Boot from 8-bit and 16-bit external flash memory – The 8-bit or 16-bit flash boot routine located in Boot ROM memory space is set up using Asynchronous Memory Bank 0. All configuration settings are set for the slowest device possible (3-cycle hold time; 15-cycle R/W access times; 4-cycle setup). The Boot ROM evaluates the first byte of the boot stream at address 0x2000 0000. If it is 0x40, 8-bit boot is performed. A 0x60 byte assumes a 16-bit memory device and performs 8-bit DMA. A 0x20 byte also assumes 16-bit memory but performs 16-bit DMA.
- Boot from serial SPI memory (EEPROM or flash). Eight-, 16-, or 24-bit addressable devices are supported as well as AT45DB041, AT45DB081, AT45DB161, AT45DB321, AT45DB642, and AT45DB1282 DataFlash® devices from Atmel. The SPI uses the PF10/SPI SSEL1 output pin to select a single SPI EEPROM/flash device, submits a read command and successive address bytes (0x00) until a valid 8-, 16-, or 24-bit, or Atmel addressable device is detected, and begins clocking data into the processor.
- Boot from SPI host device – The Blackfin processor operates in SPI slave mode and is configured to receive the bytes of the .LDR file from an SPI host (master) agent. To hold off the host device from transmitting while the Boot ROM is busy, the Blackfin processor will assert a GPIO pin, called host wait (HWAIT), to signal the host device not to send any more bytes until the flag is de-asserted. The flag is chosen by the user and this information will be transferred to the Blackfin processor via bits 10:5 of the FLAG header.
- Boot from UART – Using an autobaud handshake sequence, a boot-stream-formatted program is downloaded by the Host. The Host agent selects a baud rate within the UART's clocking capabilities. When performing the autobaud, the UART expects a "@" (boot stream) character (eight bits data, one start bit, one stop bit, no parity bit) on the RXD pin to determine the bit rate. It then replies with an acknowledgement which is composed of 4 bytes: 0xBF, the value of UART\_DLL, the value of UART\_DLH, 0x00.

The Host can then download the boot stream. When the processor needs to hold off the Host, it de-asserts CTS. Therefore, the Host must monitor this signal.

- Boot from serial TWI memory (EEPROM/flash) – The Blackfin processor operates in master mode and selects the TWI slave with the unique id 0xA0. It submits successive read commands to the memory device starting at two byte internal address 0x0000 and begins clocking data into the processor. The TWI memory device should comply with Philips I<sup>2</sup>C Bus Specification version 2.1 and have the capability to auto-increment its internal address counter such that the contents of the memory device can be read sequentially.
- Boot from TWI Host – The TWI Host agent selects the slave with the unique id 0x5F. The processor replies with an acknowledgement and the Host can then download the boot stream. The TWI Host agent should comply with Philips I<sup>2</sup>C Bus Specification version 2.1. An I<sup>2</sup>C multiplexer can be used to select one processor at a time when booting multiple processors from a single TWI.

For each of the boot modes, a 10-byte header is first brought in from an external device. The header specifies the number of bytes to be transferred and the memory destination address. Multiple memory blocks may be loaded by any boot sequence. Once all blocks are loaded, program execution commences from the start of L1 instruction SRAM.

In addition, bit 4 of the Reset Configuration Register can be set by application code to bypass the normal boot sequence during a software reset. For this case, the processor jumps directly to the beginning of L1 instruction memory.

To augment the boot modes, a secondary software loader can be added to provide additional booting mechanisms. This secondary loader could provide the capability to boot from flash, variable baud rate, and other sources. In all boot modes except Bypass, program execution starts from on-chip L1 memory address 0xFFA0 0000.

## INSTRUCTION SET DESCRIPTION

The Blackfin processor family assembly language instruction set employs an algebraic syntax designed for ease of coding and readability. The instructions have been specifically tuned to provide a flexible, densely encoded instruction set that compiles to a very small final memory size. The instruction set also provides fully featured multifunction instructions that allow the programmer to use many of the processor core resources in a single instruction. Coupled with many features more often seen on microcontrollers, this instruction set is very efficient when compiling C and C++ source code. In addition, the architecture supports both user (algorithm/application code) and supervisor (O/S kernel, device drivers, debuggers, ISRs) modes of operation, allowing multiple levels of access to core processor resources.

The assembly language, which takes advantage of the processor's unique architecture, offers the following advantages:

- Seamlessly integrated DSP/MCU features are optimized for both 8-bit and 16-bit operations.
- A multi-issue load/store modified-Harvard architecture, which supports two 16-bit MAC or four 8-bit ALU + two load/store + two pointer updates per cycle.
- All registers, I/O, and memory are mapped into a unified 4G byte memory space, providing a simplified programming model.
- Microcontroller features, such as arbitrary bit and bit-field manipulation, insertion, and extraction; integer operations on 8-, 16-, and 32-bit data-types; and separate user and supervisor stack pointers.
- Code density enhancements, which include intermixing of 16- and 32-bit instructions (no mode switching, no code segregation). Frequently used instructions are encoded in 16 bits.

## DEVELOPMENT TOOLS

The ADSP-BF536/BF537 processor is supported with a complete set of CROSSCORE® software and hardware development tools, including Analog Devices emulators and VisualDSP++® development environment. The same emulator hardware that supports other Blackfin processors also fully emulates the ADSP-BF536/BF537 processor.

### ***EZ-KIT Lite Evaluation Board***

For evaluation of ADSP-BF536/BF537 processors, use the ADSP-BF537 EZ-KIT Lite board available from Analog Devices. Order part number ADDS-BF537-EZLITE. The board comes with on-chip emulation capabilities and is equipped to enable software development. Multiple daughter cards are available.

## DESIGNING AN EMULATOR-COMPATIBLE PROCESSOR BOARD (TARGET)

The Analog Devices family of emulators are tools that every system developer needs to test and debug hardware and software systems. Analog Devices has supplied an IEEE 1149.1 JTAG Test Access Port (TAP) on each JTAG processor. The emulator uses the TAP to access the internal features of the processor, allowing the developer to load code, set breakpoints, observe variables, observe memory, and examine registers. The processor must be halted to send data and commands, but once an operation has been completed by the emulator, the processor system is set running at full speed with no impact on system timing.

To use these emulators, the target board must include a header that connects the processor's JTAG port to the emulator.

For details on target board design issues including mechanical layout, single processor connections, multiprocessor scan chains, signal buffering, signal termination, and emulator pod logic, see *Analog Devices JTAG Emulation Technical Reference*

(EE-68) on the Analog Devices web site under [www.analog.com/ee-notes](http://www.analog.com/ee-notes). This document is updated regularly to keep pace with improvements to emulator support.

**RELATED DOCUMENTS**

The following publications that describe the ADSP-BF536/BF537 processors (and related processors) can be ordered from any Analog Devices sales office or accessed electronically on our web site:

- *Getting Started With Blackfin Processors*
- *ADSP-BF537 Blackfin Processor Hardware Reference*
- *ADSP-BF53x/BF56x Blackfin Processor Programming Reference*
- *ADSP-BF536 Blackfin Processor Anomaly List*
- *ADSP-BF537 Blackfin Processor Anomaly List*



## PIN DESCRIPTIONS

ADSP-BF536/BF537 processor pin definitions are listed in [Table 9](#). In order to maintain maximum functionality and reduce package size and pin count, some pins have dual, multiplexed functionality. In cases where pin functionality is reconfigurable, the default state is shown in plain text, while alternate functionality is shown in italics. Pins shown with an asterisk after their name (\*) offer high source/high sink current capabilities.

All pins are tristated during and immediately after reset with the exception of the external memory interface. On the external memory interface, the control and address lines are driven high during reset unless the  $\overline{BR}$  pin is asserted.

All I/O pins have their input buffers disabled with the exception of the pins noted in the data sheet that need pullups or pull-downs if unused.

**Table 9. Pin Descriptions**

Pin Name	I/O	Function	Driver Type <sup>1</sup>
<i>Memory Interface</i>			
ADDR19–1	O	Address Bus for Async Access	A
DATA15–0	I/O	Data Bus for Async/Sync Access	A
$\overline{ABE1-0}/\overline{SDQM1-0}$	O	Byte Enables/Data Masks for Async/Sync Access	A
$\overline{BR}^2$	I	Bus Request	
$\overline{BG}$	O	Bus Grant	A
$\overline{BGH}$	O	Bus Grant Hang	A
<i>Asynchronous Memory Control</i>			
$\overline{AMS3-0}$	O	Bank Select	A
ARDY	I	Hardware Ready Control	
$\overline{AOE}$	O	Output Enable	A
$\overline{ARE}$	O	Read Enable	A
$\overline{AWE}$	O	Write Enable	A
<i>Synchronous Memory Control</i>			
$\overline{SRAS}$	O	Row Address Strobe	A
$\overline{SCAS}$	O	Column Address Strobe	A
$\overline{SWE}$	O	Write Enable	A
SCKE	O	Clock Enable	A
CLKOUT	O	Clock Output	B
SA10	O	A10 Pin	A
$\overline{SMS}$	O	Bank Select	A

**Table 9. Pin Descriptions (Continued)**

Pin Name	I/O	Function	Driver Type <sup>1</sup>
<i>Port F: GPIO/UART1-0/Timer7-0/SPI/External DMA Request (* = High Source/High Sink Pin)</i>			
PF0* - GPIO/UART0 TX/DMAR0	I/O	GPIO/UART0 Transmit/DMA Request 0	C
PF1* - GPIO/UART0 RX/DMAR1/TAC11	I/O	GPIO/UART0 Receive/DMA Request 1/Timer1 Alternate Input Capture	C
PF2* - GPIO/UART1 TX/TMR7	I/O	GPIO/UART1 Transmit/Timer7	C
PF3* - GPIO/UART1 RX/TMR6/TAC16	I/O	GPIO/UART1 Receive/Timer6/Timer6 Alternate Input Capture	C
PF4* - GPIO/TMR5/SPI SSEL6	I/O	GPIO/Timer5/SPI Slave Select Enable 6	C
PF5* - GPIO/TMR4/SPI SSEL5	I/O	GPIO/Timer4/SPI Slave Select Enable 5	C
PF6* - GPIO/TMR3/SPI SSEL4	I/O	GPIO/Timer3/SPI Slave Select Enable 4	C
PF7* - GPIO/TMR2/PPI FS3	I/O	GPIO/Timer2/PPI Frame Sync 3	C
PF8 - GPIO/TMR1/PPI FS2	I/O	GPIO/Timer1/PPI Frame Sync 2	D
PF9 - GPIO/TMR0/PPI FS1	I/O	GPIO/Timer0/PPI Frame Sync 1	D
PF10 - GPIO/SPI SSEL1	I/O	GPIO/SPI Slave Select Enable 1	D
PF11 - GPIO/SPI MOSI	I/O	GPIO/SPI Master Out Slave In	D
PF12 - GPIO/SPI MISO <sup>3</sup>	I/O	GPIO/SPI Master In Slave Out	D
PF13 - GPIO/SPI SCK	I/O	GPIO/SPI Clock	D
PF14 - GPIO/SPI SS/TACLK0	I/O	GPIO/SPI Slave Select/Alternate Timer0 Clock Input	D
PF15 - GPIO/PPI CLK/TMRCLK	I/O	GPIO/PPI Clock/External Timer Reference	D
<i>Port G: GPIO/PPI/SPORT1</i>			
PG0 - GPIO/PPI D0	I/O	GPIO/PPI Data 0	D
PG1 - GPIO/PPI D1	I/O	GPIO/PPI Data 1	D
PG2 - GPIO/PPI D2	I/O	GPIO/PPI Data 2	D
PG3 - GPIO/PPI D3	I/O	GPIO/PPI Data 3	D
PG4 - GPIO/PPI D4	I/O	GPIO/PPI Data 4	D
PG5 - GPIO/PPI D5	I/O	GPIO/PPI Data 5	D
PG6 - GPIO/PPI D6	I/O	GPIO/PPI Data 6	D
PG7 - GPIO/PPI D7	I/O	GPIO/PPI Data 7	D
PG8 - GPIO/PPI D8/DR1SEC	I/O	GPIO/PPI Data 8/SPORT1 Receive Data Secondary	D
PG9 - GPIO/PPI D9/DT1SEC	I/O	GPIO/PPI Data 9/SPORT1 Transmit Data Secondary	D
PG10 - GPIO/PPI D10/RSCLK1	I/O	GPIO/PPI Data 10/SPORT1 Receive Serial Clock	D
PG11 - GPIO/PPI D11/RFS1	I/O	GPIO/PPI Data 11/SPORT1 Receive Frame Sync	D
PG12 - GPIO/PPI D12/DR1PRI	I/O	GPIO/PPI Data 12/SPORT1 Receive Data Primary	D
PG13 - GPIO/PPI D13/TSCLK1	I/O	GPIO/PPI Data 13/SPORT1 Transmit Serial Clock	D
PG14 - GPIO/PPI D14/TFS1	I/O	GPIO/PPI Data 14/SPORT1 Transmit Frame Sync	D
PG15 - GPIO/PPI D15/DT1PRI	I/O	GPIO/PPI Data 15/SPORT1 Transmit Data Primary	D
<i>Port H: GPIO/10/100 Ethernet MAC</i>			
PH0 - GPIO/ETxD0	I/O	GPIO/Ethernet MII or RMII Transmit D0	D
PH1 - GPIO/ETxD1	I/O	GPIO/Ethernet MII or RMII Transmit D1	D
PH2 - GPIO/ETxD2	I/O	GPIO/Ethernet MII Transmit D2	D
PH3 - GPIO/ETxD3	I/O	GPIO/Ethernet MII Transmit D3	D
PH4 - GPIO/ETxEN	I/O	GPIO/Ethernet MII or RMII Transmit Enable	D

Table 9. Pin Descriptions (Continued)

Pin Name	I/O	Function	Driver Type <sup>1</sup>
<i>Port H: GPIO/10/100 Ethernet MAC, continued</i>			
PH5 - GPIO/MII TxCLK/RMII REF_CLK	I/O	GPIO/Ethernet MII Transmit Clock/RMII Reference Clock	D
PH6 - GPIO/MII PHYINT/RMII MDINT	I/O	GPIO/Ethernet MII PHY Interrupt/RMII Management Data Interrupt	D
PH7 - GPIO/COL	I/O	GPIO/Ethernet Collision	D
PH8 - GPIO/ERxD0	I/O	GPIO/Ethernet MII or RMII Receive D0	D
PH9 - GPIO/ERxD1	I/O	GPIO/Ethernet MII or RMII Receive D1	D
PH10 - GPIO/ERxD2	I/O	GPIO/Ethernet MII Receive D2	D
PH11 - GPIO/ERxD3	I/O	GPIO/Ethernet MII Receive D3	D
PH12 - GPIO/ERxDV/TACLK5	I/O	GPIO/Ethernet MII Receive Data Valid/Alternate Timer5 Input Clock	D
PH13 - GPIO/ERxCLK/TACLK6	I/O	GPIO/Ethernet MII Receive Clock/Alternate Timer6 Input Clock	D
PH14 - GPIO/ERxER/TACLK7	I/O	GPIO/Ethernet MII or RMII Receive Error/Alternate Timer7 Input Clock	D
PH15 - GPIO/MII CRS/RMII CRS_DV	I/O	GPIO/Ethernet MII Carrier Sense/Ethernet RMII Carrier Sense and Receive Data Valid	D
<i>Port J: SPORT0/TWI/SPI Select/CAN</i>			
PJ0 - MDC	O	Ethernet Management Channel Clock	D
PJ1 - MDIO	I/O	Ethernet Management Channel Serial Data	D
PJ2 - SCL	I/O	TWI Serial Clock	D
PJ3 - SDA	I/O	TWI Serial Data	D
PJ4 - DR0SEC/CANRX/TACIO	I	SPORT0 Receive Data Secondary/CAN Receive/Timer0 Alternate Input Capture	D
PJ5 - DT0SEC/CANTX/SPI SSEL7	O	SPORT0 Transmit Data Secondary/CAN Transmit/SPI Slave Select Enable 7	D
PJ6 - RSCLK0/TACLK2	I/O	SPORT0 Receive Serial Clock/Alternate Timer2 Clock Input	E
PJ7 - RFS0/TACLK3	I/O	SPORT0 Receive Frame Sync/Alternate Timer3 Clock Input	D
PJ8 - DR0PRI/TACLK4	I	SPORT0 Receive Data Primary/Alternate Timer4 Clock Input	D
PJ9 - TSCLK0/TACLK1	I/O	SPORT0 Transmit Serial Clock/Alternate Timer1 Clock Input	E
PJ10 - TFS0/SPI SSEL3	I/O	SPORT0 Transmit Frame Sync/SPI Slave Select Enable 3	D
PJ11 - DT0PRI/SPI SSEL2	O	SPORT0 Transmit Data Primary/SPI Slave Select Enable 2	D
<i>Real Time Clock</i>			
RTXI <sup>4</sup>	I	RTC Crystal Input	
RTXO	O	RTC Crystal Output	
<i>JTAG Port</i>			
TCK	I	JTAG Clock	
TDO	O	JTAG Serial Data Out	D
TDI	I	JTAG Serial Data In	
TMS	I	JTAG Mode Select	
TRST <sup>5</sup>	I	JTAG Reset	
EMU	O	Emulation Output	D
<i>Clock</i>			
CLKIN	I	Clock/Crystal Input	
XTAL	O	Crystal Output	
CLKBUF	O	Buffered XTAL Output	
<i>Mode Controls</i>			
RESET	I	Reset	
NMI <sup>6</sup>	I	Non-maskable Interrupt	
BMODE2-0	I	Boot Mode Strap 2-0	

Table 9. Pin Descriptions (Continued)

Pin Name	I/O	Function	Driver Type <sup>1</sup>
<i>Voltage Regulator</i>			
VROUT0	O	External FET Drive	
VROUT1	O	External FET Drive	
<i>Supplies</i>			
V <sub>DDEXT</sub>	P	I/O Power Supply	
V <sub>DDINT</sub>	P	Internal Power Supply (regulated from 2.25V to 3.6V)	
V <sub>DDRTC</sub>	P	Real Time Clock Power Supply	
GND	G	External Ground	

<sup>1</sup> See “Output Drive Currents” on page 52 for more information about each driver types.

<sup>2</sup> This pin should be pulled HIGH when not used.

<sup>3</sup> This pin should always be pulled HIGH through a 4.7 K Ohms resistor if booting via the SPI port.

<sup>4</sup> This pin should always be pulled LOW when not used.

<sup>5</sup> This pin should be pulled LOW if the JTAG port will not be used.

<sup>6</sup> This pin should always be pulled HIGH when not used.

## SPECIFICATIONS

Note that component specifications are subject to change without notice.

### RECOMMENDED OPERATING CONDITIONS

Parameter <sup>1</sup>		Minimum	Nominal	Maximum	Unit
$V_{DDINT}$	Internal Supply Voltage <sup>2</sup> (ADSP-BF536)	0.8	1.2	1.32	V
$V_{DDINT}$	Internal Supply Voltage <sup>2</sup> (ADSP-BF537)	0.8	1.26	1.32	V
$V_{DDEXT}$	External Supply Voltage	2.25	2.5 or 3.3	3.6	V
$V_{DDRTC}$	Real Time Clock Power Supply Voltage	2.25		3.6	V
$V_{IH}$	High Level Input Voltage <sup>3,4</sup> , @ $V_{DDEXT}$ = maximum	2.0		3.6	V
$V_{IHCLKIN}$	High Level Input Voltage <sup>5</sup> , @ $V_{DDEXT}$ = maximum	2.2		3.6	V
$V_{IH5V}$	High Level Input Voltage <sup>6</sup> , @ $V_{DDEXT}$ = maximum	2.0		5.0	V
$V_{IL}$	Low Level Input Voltage <sup>3,7</sup> , @ $V_{DDEXT}$ = minimum	-0.3		0.6	V
$V_{IL5V}$	Low Level Input Voltage <sup>6</sup> , @ $V_{DDEXT}$ = minimum	-0.3		0.8	V
$T_A$	Ambient Operating Temperature				
	Industrial	-40		85	°C

<sup>1</sup> Specifications subject to change without notice.

<sup>2</sup> Voltage regulator output is guaranteed from -5% to 10% of specified values.

<sup>3</sup> The ADSP-BF536/BF537 processor is 3.3 V tolerant (always accepts up to 3.6 V maximum  $V_{IH}$ ), but voltage compliance (on outputs,  $V_{OH}$ ) depends on the input  $V_{DDEXT}$ , because  $V_{OH}$  (maximum) approximately equals  $V_{DDEXT}$  (maximum). This 3.3 V tolerance applies to bi-directional pins (DATA15-0, PF15-0, PG15-0, PH15-0, TFS0, TCLK0, RSCLK0, RFS0, MDIO) and input only pins (BR, ARDY, DR0PRI, DR0SEC, RTXI, TCK, TDI, TMS, TRST, CLKIN, RESET, NMI, and BMODE2-0).

<sup>4</sup> Parameter value applies to all input and bi-directional pins except CLKIN, SDA, and SCL.

<sup>5</sup> Parameter value applies to CLKIN pin only.

<sup>6</sup> Certain ADSP-BF536/BF537 processor pins are 5.0 V tolerant (always accept up to 5.5 V maximum  $V_{IH}$ ), but voltage compliance (on outputs,  $V_{OH}$ ) depends on the input  $V_{DDEXT}$ , because  $V_{OH}$  (maximum) approximately equals  $V_{DDEXT}$  (maximum). This 5.0 V tolerance applies to SDA and SCL pins only. The SDA and SCL pins are open drain and therefore require a pullup resistor. Consult the I<sup>2</sup>C specification version 2.1 for the proper resistor value.

<sup>7</sup> Parameter value applies to all input and bi-directional pins except SDA and SCL.



**ELECTRICAL CHARACTERISTICS**

Parameter <sup>1</sup>		Test Conditions	Min	Max	Unit
V <sub>OH</sub> Port F7-0  Port F15-8, Port G, Port H Max Combined for Port F7-0 Max Total for all Port F, Port G, and Port H Pins	High Level Output Voltage <sup>2</sup>	@ V <sub>DDEXT</sub> = 3.3V +/- 10%, I <sub>OH</sub> = -10 mA	V <sub>DDEXT</sub> - 0.5V		V
		@ V <sub>DDEXT</sub> = 2.5V +/- 10%, I <sub>OH</sub> = -6 mA	V <sub>DDEXT</sub> - 0.5V		V
		I <sub>OH</sub> = -1 mA	V <sub>DDEXT</sub> - 0.5V		V
				TBD	V
				TBD	V
V <sub>OL</sub> Port F7-0  Port F15-8, Port G, Port H Max Combined for Port F7-0 Max Total for all Port F, Port G, and Port H Pins	Low Level Output Voltage <sup>2</sup>	@ V <sub>DDEXT</sub> = 3.3V +/- 10%, I <sub>OL</sub> = 10 mA	0.5V		V
		@ V <sub>DDEXT</sub> = 2.5V +/- 10%, I <sub>OL</sub> = 6 mA	0.5V		V
		I <sub>OL</sub> = 2 mA	0.5V		V
				TBD	V
				TBD	V
I <sub>IH</sub>	High Level Input Current <sup>3</sup>	@ V <sub>DDEXT</sub> = maximum, V <sub>IN</sub> = V <sub>DD</sub> maximum		TBD	μA
I <sub>IL</sub>	Low Level Input Current <sup>4</sup>	@ V <sub>DDEXT</sub> = maximum, V <sub>IN</sub> = 0 V		TBD	μA
I <sub>OZH</sub>	Three-State Leakage Current <sup>4</sup>	@ V <sub>DDEXT</sub> = maximum, V <sub>IN</sub> = V <sub>DD</sub> maximum		TBD	μA
I <sub>OZL</sub>	Three-State Leakage Current <sup>5</sup>	@ V <sub>DDEXT</sub> = maximum, V <sub>IN</sub> = 0 V		TBD	μA
Max Total Current for all Port F, Port G, and Port H Pins				TBD	mA
C <sub>IN</sub>	Input Capacitance <sup>5,6</sup>	f <sub>IN</sub> = 1 MHz, T <sub>AMBIENT</sub> = 25°C, V <sub>IN</sub> = 2.5 V		TBD	pF

<sup>1</sup> Specifications subject to change without notice.

<sup>2</sup> Applies to output and bidirectional pins.

<sup>3</sup> Applies to input pins.

<sup>4</sup> Applies to three-statable pins.

<sup>5</sup> Applies to all signal pins.

<sup>6</sup> Guaranteed, but not tested.

**ABSOLUTE MAXIMUM RATINGS**

Internal (Core) Supply Voltage <sup>1</sup> (V <sub>DDINT</sub> )	-0.3 V to +1.4 V
External (I/O) Supply Voltage <sup>1</sup> (V <sub>DDEXT</sub> )	-0.3 V to +3.8 V
Input Voltage <sup>1</sup>	-0.5 V to +3.6 V
Output Voltage Swing <sup>1</sup>	-0.5 V to V <sub>DDEXT</sub> + 0.5 V
Load Capacitance <sup>1,2</sup>	200 pF
Storage Temperature Range <sup>1</sup>	-65°C to +150°C
Junction Temperature Underbias <sup>1</sup>	+125°C

<sup>1</sup> Stresses greater than those listed above may cause permanent damage to the device. These are stress ratings only. Functional operation of the device at these or any other conditions greater than those indicated in the operational sections of this specification is not implied. Exposure to absolute maximum rating conditions for extended periods may affect device reliability.

<sup>2</sup> For proper SDRAM controller operation, the maximum load capacitance is 50 pF (at 3.3V) or 30 pF (at 2.5V) for ADDR19-1, DATA15-0, ABEI-0/SDQM1-0, CLKOUT, SCKE, SA10, SRAS, SCAS, SWE, and SMS.

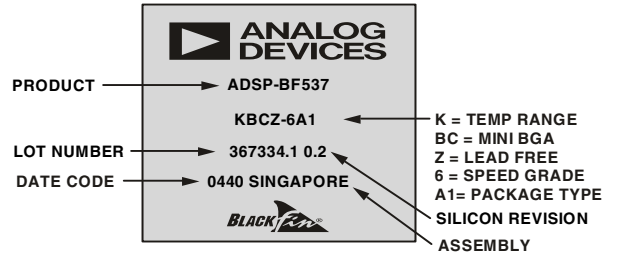


Figure 9. Product Information on Package

**ESD SENSITIVITY**

**CAUTION**

ESD (electrostatic discharge) sensitive device. Electrostatic charges as high as 4000V readily accumulate on the human body and test equipment and can discharge without detection. Although the ADSP-BF536/BF537 processor features proprietary ESD protection circuitry, permanent damage may occur on devices subjected to high-energy electrostatic discharges. Therefore, proper ESD precautions are recommended to avoid performance degradation or loss of functionality.



## TIMING SPECIFICATIONS

Table 10 through Table 13 describe the timing requirements for the ADSP-BF536/BF537 processor clocks. Take care in selecting MSEL, SSEL, and CSEL ratios so as not to exceed the maximum core clock and system clock. Table 14 describes Phase-Locked Loop operating conditions.

Table 10. Core Clock Requirements—600 MHz Speed Grade<sup>1</sup>

Parameter		Minimum	Maximum	Unit
f <sub>CCLK</sub>	Core Clock Frequency (V <sub>DDINT</sub> = 1.2 V minimum)		600	MHz
f <sub>CCLK</sub>	Core Clock Frequency (V <sub>DDINT</sub> = 1.045 V minimum)		TBD	MHz
f <sub>CCLK</sub>	Core Clock Frequency (V <sub>DDINT</sub> = 0.95 V minimum)		TBD	MHz
f <sub>CCLK</sub>	Core Clock Frequency (V <sub>DDINT</sub> = 0.85 V minimum)		TBD	MHz
f <sub>CCLK</sub>	Core Clock Frequency (V <sub>DDINT</sub> = 0.8 V)		TBD	MHz

<sup>1</sup> The speed grade of a given part is printed on the chip's package as shown in Figure 9 on Page 25 and can also be seen on the "Ordering Guide" on page 64. It stands for the Maximum allowed CCLK frequency at VDDINT = 1.2V and the maximum allowed VCO frequency at any supply voltage.

Table 11. Core Clock Requirements—500 MHz Speed Grade<sup>1</sup>

Parameter		Minimum	Maximum	Unit
f <sub>CCLK</sub>	Core Clock Frequency (V <sub>DDINT</sub> = 1.2 V minimum)		500	MHz
f <sub>CCLK</sub>	Core Clock Frequency (V <sub>DDINT</sub> = 1.045 V minimum)		TBD	MHz
f <sub>CCLK</sub>	Core Clock Frequency (V <sub>DDINT</sub> = 0.95 V minimum)		TBD	MHz
f <sub>CCLK</sub>	Core Clock Frequency (V <sub>DDINT</sub> = 0.85 V minimum)		TBD	MHz
f <sub>CCLK</sub>	Core Clock Frequency (V <sub>DDINT</sub> = 0.8 V)		TBD	MHz

<sup>1</sup> The speed grade of a given part is printed on the chip's package as shown in Figure 9 on Page 25 and can also be seen on the "Ordering Guide" on page 64. It stands for the Maximum allowed CCLK frequency at VDDINT = 1.2V and the maximum allowed VCO frequency at any supply voltage.

Table 12. Core Clock Requirements—400 MHz Speed Grade<sup>1</sup>

Parameter		Minimum	Maximum	Unit
f <sub>CCLK</sub>	Core Clock Frequency (V <sub>DDINT</sub> = 1.14 V minimum)		400	MHz
f <sub>CCLK</sub>	Core Clock Frequency (V <sub>DDINT</sub> = 1.045 V minimum)		TBD	MHz
f <sub>CCLK</sub>	Core Clock Frequency (V <sub>DDINT</sub> = 0.95 V minimum)		TBD	MHz
f <sub>CCLK</sub>	Core Clock Frequency (V <sub>DDINT</sub> = 0.85 V minimum)		TBD	MHz
f <sub>CCLK</sub>	Core Clock Frequency (V <sub>DDINT</sub> = 0.8 V)		TBD	MHz

<sup>1</sup> The speed grade of a given part is printed on the chip's package as shown in Figure 9 on Page 25 and can also be seen on the "Ordering Guide" on page 64. It stands for the Maximum allowed CCLK frequency at VDDINT = 1.2V and the maximum allowed VCO frequency at any supply voltage.

Table 13. Core Clock Requirements—300 MHz Speed Grade<sup>1</sup>

Parameter		Minimum	Maximum	Unit
f <sub>CCLK</sub>	Core Clock Frequency (V <sub>DDINT</sub> = 1.14 V minimum)		300	MHz
f <sub>CCLK</sub>	Core Clock Frequency (V <sub>DDINT</sub> = 1.045 V minimum)		TBD	MHz
f <sub>CCLK</sub>	Core Clock Frequency (V <sub>DDINT</sub> = 0.95 V minimum)		TBD	MHz
f <sub>CCLK</sub>	Core Clock Frequency (V <sub>DDINT</sub> = 0.85 V minimum)		TBD	MHz
f <sub>CCLK</sub>	Core Clock Frequency (V <sub>DDINT</sub> = 0.8 V)		TBD	MHz

<sup>1</sup> The speed grade of a given part is printed on the chip's package as shown in Figure 9 on Page 25 and can also be seen on the "Ordering Guide" on page 64. It stands for the Maximum allowed CCLK frequency at VDDINT = 1.2V and the maximum allowed VCO frequency at any supply voltage.

Table 14. Phase-Locked Loop Operating Conditions

Parameter		Minimum	Maximum	Unit
$f_{VCO}$	Voltage Controlled Oscillator (VCO) Frequency	50	Speed Grade <sup>1</sup>	MHz

<sup>1</sup> The speed grade of a given part is printed on the chip's package as shown in Figure 9 on Page 25 and can also be seen on the "Ordering Guide" on page 64. It stands for the Maximum allowed CCLK frequency at VDDINT = 1.2V and the maximum allowed VCO frequency at any supply voltage.

Table 15. System Clock Requirements

Parameter	Condition	Minimum	Maximum	Unit
182 MBGA				
$f_{SCLK}$	$V_{DDEXT} = 3.3\text{ V}, V_{DDINT} \geq \text{TBD V}$		TBD	MHz
$f_{SCLK}$	$V_{DDEXT} = 3.3\text{ V}, V_{DDINT} < \text{TBD V}$		TBD	MHz
$f_{SCLK}$	$V_{DDEXT} = 2.5\text{ V}, V_{DDINT} \geq \text{TBD V}$		TBD	MHz
$f_{SCLK}$	$V_{DDEXT} = 2.5\text{ V}, V_{DDINT} < \text{TBD V}$		TBD	MHz
208 MBGA				
$f_{SCLK}$	$V_{DDEXT} = 3.3\text{ V}, V_{DDINT} \geq \text{TBD V}$		TBD	MHz
$f_{SCLK}$	$V_{DDEXT} = 3.3\text{ V}, V_{DDINT} < \text{TBD V}$		TBD	MHz
$f_{SCLK}$	$V_{DDEXT} = 2.5\text{ V}, V_{DDINT} \geq \text{TBD V}$		TBD	MHz
$f_{SCLK}$	$V_{DDEXT} = 2.5\text{ V}, V_{DDINT} < \text{TBD V}$		TBD	MHz

Table 16. Clock Input and Reset Timing

Parameter		Minimum	Maximum	Unit
<i>Timing Requirements</i>				
$t_{CKIN}$	CLKIN Period <sup>1</sup>	25.0	100.0	ns
$t_{CKINL}$	CLKIN Low Pulse <sup>2</sup>	10.0		ns
$t_{CKINH}$	CLKIN High Pulse <sup>2</sup>	10.0		ns
$t_{BUFDLAY}$	CLKIN to CLKBUF delay		TBD	ns
$t_{WRST}$	$\overline{\text{RESET}}$ Asserted Pulsewidth Low <sup>3</sup>	$11 t_{CKIN}$		ns

<sup>1</sup> Combinations of the CLKIN frequency and the PLL clock multiplier must not exceed the allowed  $f_{VCO}$ ,  $f_{CCLK}$ , and  $f_{SCLK}$  settings discussed in Table 10 through Table 15. Since by default the PLL is multiplying the CLKIN frequency by 10, 300 MHz and 400MHz speed grade parts can not use the full CLKIN period range.

<sup>2</sup> Applies to bypass mode and non-bypass mode.

<sup>3</sup> Applies after power-up sequence is complete. At power-up, the processor's internal phase-locked loop requires no more than 2000 CLKIN cycles, while  $\overline{\text{RESET}}$  is asserted, assuming stable power supplies and CLKIN (not including start-up time of external clock oscillator).

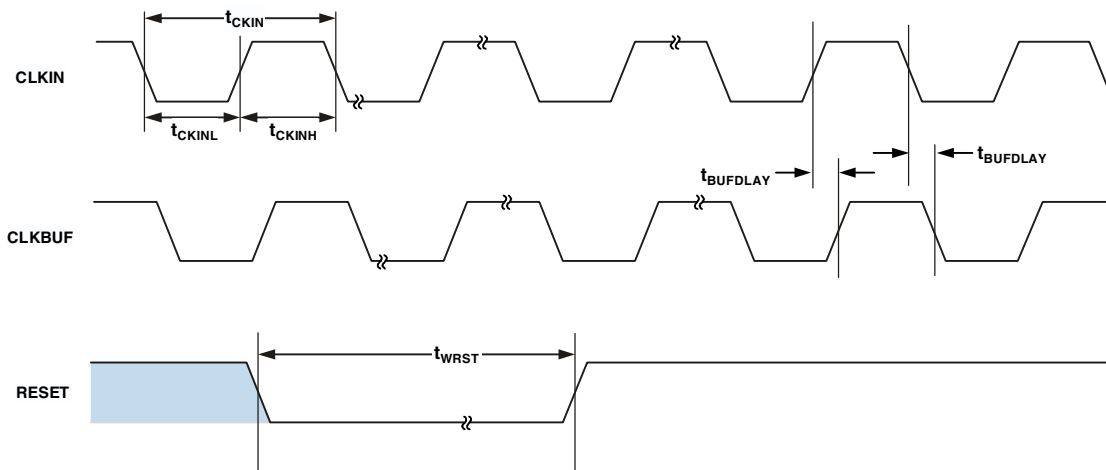


Figure 10. Clock and Reset Timing

Asynchronous Memory Read Cycle Timing

Table 17. Asynchronous Memory Read Cycle Timing

Parameter		Minimum	Maximum	Unit
<i>Timing Requirements</i>				
$t_{SDAT}$	DATA15-0 Setup Before CLKOUT	2.1		ns
$t_{HDAT}$	DATA15-0 Hold After CLKOUT	0.8		ns
$t_{SARDY}$	ARDY Setup Before CLKOUT	4.0		ns
$t_{HARDY}$	ARDY Hold After CLKOUT	0.0		ns
<i>Switching Characteristic</i>				
$t_{DO}$	Output Delay After CLKOUT <sup>1</sup>		6.0	ns
$t_{HO}$	Output Hold After CLKOUT <sup>1</sup>	0.8		ns

<sup>1</sup> Output pins include AMS3-0, ABE1-0, ADDR19-1, AOE, ARE.

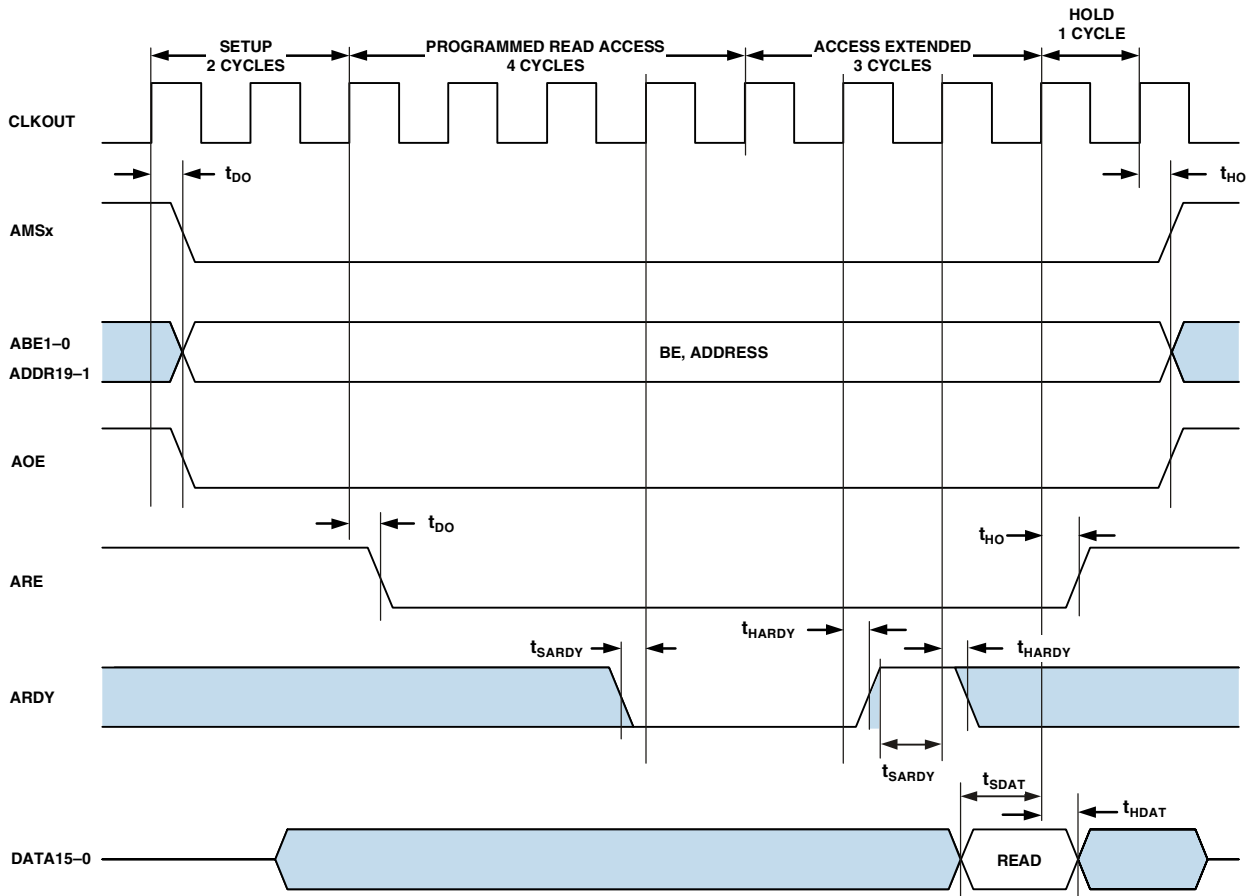


Figure 11. Asynchronous Memory Read Cycle Timing

**Asynchronous Memory Write Cycle Timing**

**Table 18. Asynchronous Memory Write Cycle Timing**

Parameter		Minimum	Maximum	Unit
<i>Timing Requirements</i>				
$t_{SARDY}$	ARDY Setup Before CLKOUT	4.0		ns
$t_{HARDY}$	ARDY Hold After CLKOUT	0.0		ns
<i>Switching Characteristic</i>				
$t_{DDAT}$	DATA15-0 Disable After CLKOUT		6.0	ns
$t_{ENDAT}$	DATA15-0 Enable After CLKOUT	1.0		ns
$t_{DO}$	Output Delay After CLKOUT <sup>1</sup>		6.0	ns
$t_{HO}$	Output Hold After CLKOUT <sup>1</sup>	0.8		ns

<sup>1</sup> Output pins include AMS3-0, ABE1-0, ADDR19-1, DATA15-0, AOE, AWE.

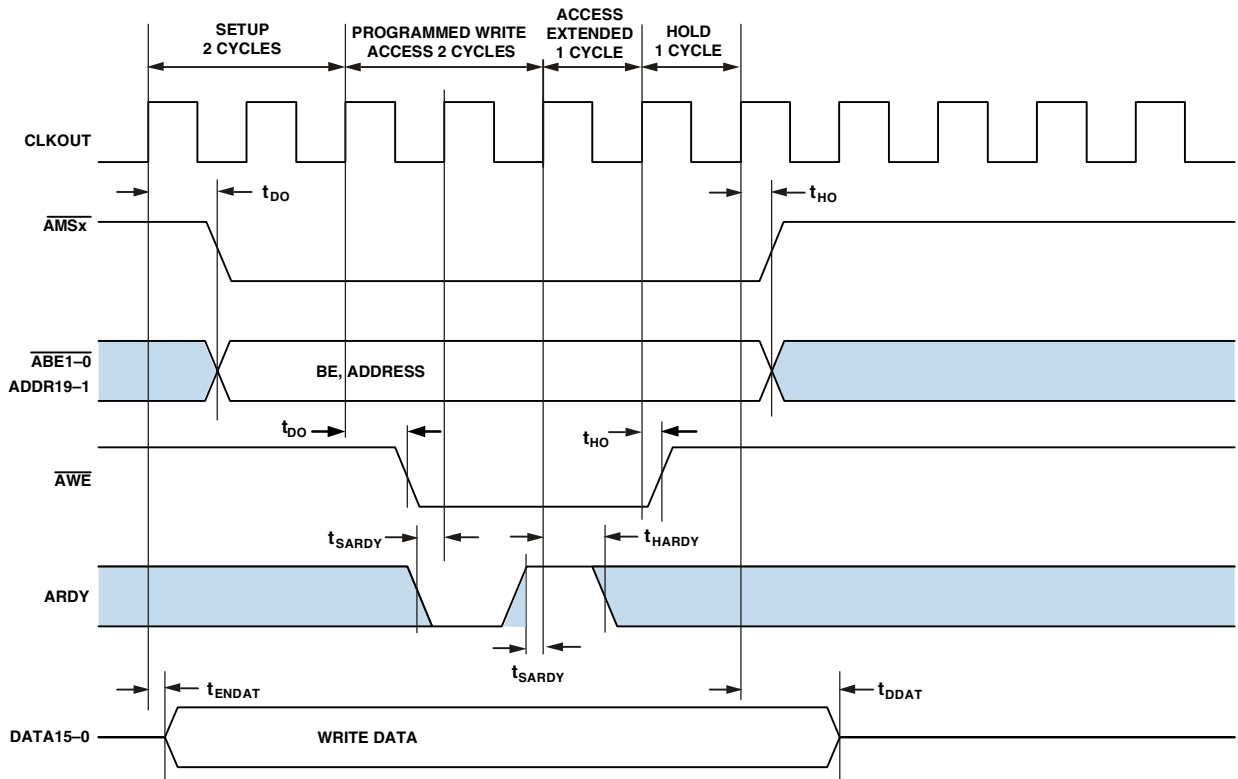


Figure 12. Asynchronous Memory Write Cycle Timing

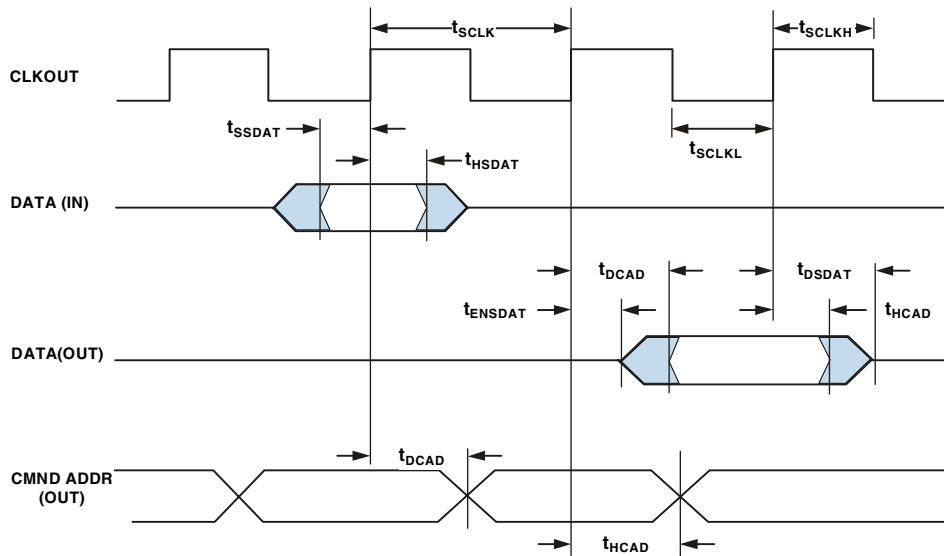
## SDRAM Interface Timing

Table 19. SDRAM Interface Timing ( $VDD_{INT} = 1.2\text{ V}$ )

Parameter		Minimum	Maximum	Unit
<i>Timing Requirement</i>				
$t_{SSDAT}$	DATA Setup Before CLKOUT	2.1		ns
$t_{HSDAT}$	DATA Hold After CLKOUT	0.8		ns
<i>Switching Characteristic</i>				
$t_{SCLK}$	CLKOUT Period <sup>1</sup>	7.5		ns
$t_{SCLKH}$	CLKOUT Width High	2.5		ns
$t_{SCLKL}$	CLKOUT Width Low	2.5		ns
$t_{DCAD}$	Command, ADDR, Data Delay After CLKOUT <sup>2</sup>		6.0	ns
$t_{HCAD}$	Command, ADDR, Data Hold After CLKOUT <sup>2</sup>	0.8		ns
$t_{DSDAT}$	Data Disable After CLKOUT		6.0	ns
$t_{ENSDAT}$	Data Enable After CLKOUT	1.0		ns

<sup>1</sup> The  $t_{SCLK}$  value is the inverse of the  $f_{SCLK}$  specification discussed in Table 15. Package type and reduced supply voltages affect the best-case value of 7.5ns listed here.

<sup>2</sup> Command pins include: SRAS, SCAS, SWE, SDQM, SMS, SA10, SCKE.



NOTE: COMMAND = SRAS, SCAS, SWE, SDQM, SMS, SA10, SCKE.

Figure 13. SDRAM Interface Timing



**External Port Bus Request and Grant Cycle Timing**

Table 20 and Figure 14 describe external port bus request and bus grant operations.

**Table 20. External Port Bus Request and Grant Cycle Timing**

Parameter <sup>1,2</sup>		Minimum	Maximum	Unit
<i>Timing Requirements</i>				
$t_{BS}$	$\overline{BR}$ asserted to CLKOUT high setup	4.6		ns
$t_{BH}$	CLKOUT high to $\overline{BR}$ de-asserted hold time	0.0		ns
<i>Switching Characteristics</i>				
$t_{SD}$	CLKOUT low to $\overline{AMS}$ , address, and $\overline{RD}/\overline{WR}$ disable		4.5	ns
$t_{SE}$	CLKOUT low to $\overline{AMS}$ , address, and $\overline{RD}/\overline{WR}$ enable		4.5	ns
$t_{DBG}$	CLKOUT high to $\overline{BG}$ asserted setup		3.6	ns
$t_{EBG}$	CLKOUT high to $\overline{BG}$ de-asserted hold time		3.6	ns
$t_{DBH}$	CLKOUT high to $\overline{BGH}$ asserted setup		3.6	ns
$t_{EBH}$	CLKOUT high to $\overline{BGH}$ de-asserted hold time		3.6	ns

<sup>1</sup>These are preliminary timing parameters that are based on worst-case operating conditions.

<sup>2</sup>The pad loads for these timing parameters are 20 pF.

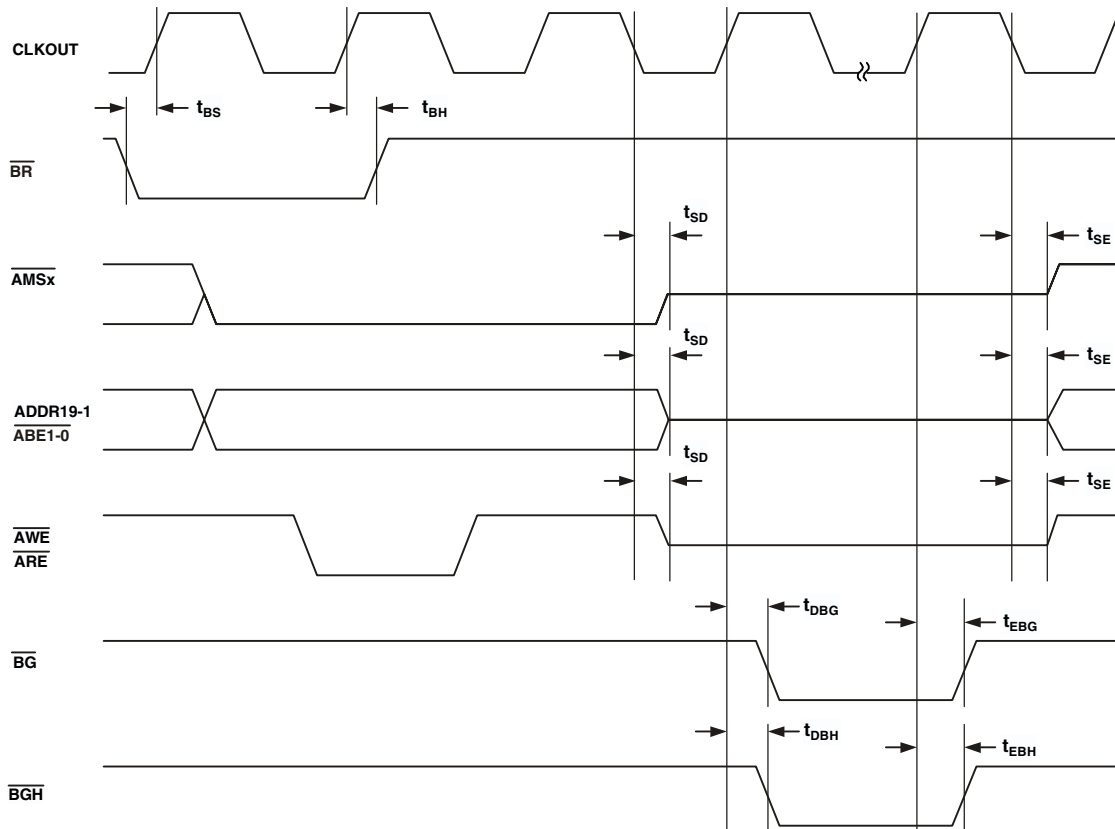


Figure 14. External Port Bus Request and Grant Cycle Timing

## External DMA Request Timing

Table 21 and Figure 15 describe the External DMA Request operations.

Table 21. External DMA Request Timing

Parameter		Minimum	Maximum	Unit
<i>Timing Parameters</i>				
$t_{DR}$	DMARx asserted to CLKOUT high setup	TBD	TBD	ns
$t_{DH}$	CLKOUT high to DMARx de-asserted hold time	TBD	TBD	ns
<i>Switching Characteristics</i>				
$t_{DO}$	Output delay after CLKOUT <sup>1</sup>	TBD	TBD	ns
$t_{HO}$	Output hold after CLKOUT <sup>1</sup>	TBD	TBD	ns

<sup>1</sup> System Outputs=DATA15-0, ADDR19-1, ABE1-0, AOE, ARE, AWE, AMS3-0, SRAS, SCAS, SWE, SCKE, CLKOUT, SA10, SMS, SCL, SDA, TSCLK0, TFS0, RFS0, RSCLK0, DT0PRI, DT0SEC, PF15-0, PG15-0, PH15-0, MDC, MDIO, RTX0, TD0, EMU, XTAL, CLKBUF, VROUT.

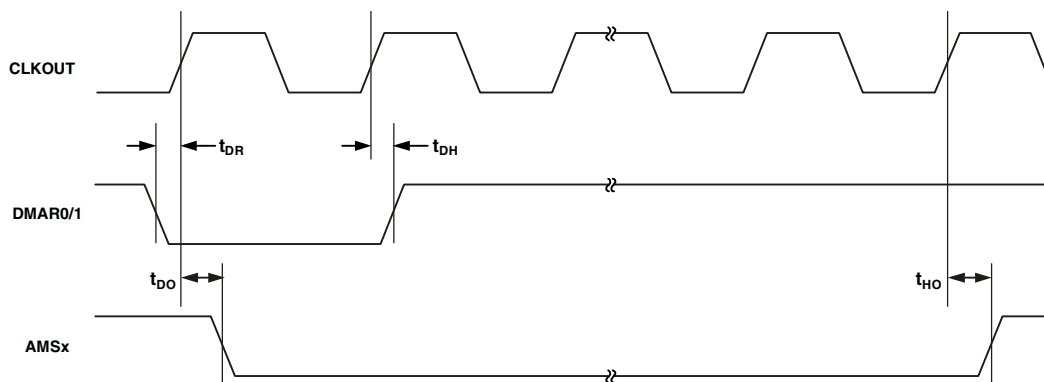


Figure 15. External DMA Request Timing

**Parallel Peripheral Interface Timing**

Table 22 and Figure 16 on Page 33, Figure 17 on Page 36, and Figure 18 on Page 37 describe Parallel Peripheral Interface operations.

**Table 22. Parallel Peripheral Interface Timing**

Parameter		Minimum	Maximum	Unit
<i>Timing Requirements</i>				
$t_{PCLKW}$	PPI_CLK Width <sup>1</sup>	6.0		ns
$t_{PCLK}$	PPI_CLK Period <sup>1</sup>	15.0		ns
<i>Timing Requirements - GP Input and Frame Capture Modes</i>				
$t_{SFSPE}$	External Frame Sync Setup Before PPI_CLK	3.0		ns
$t_{HFSPE}$	External Frame Sync Hold After PPI_CLK	3.0		ns
$t_{SDRPE}$	Receive Data Setup Before PPI_CLK	2.0		ns
$t_{HDRPE}$	Receive Data Hold After PPI_CLK	4.0		ns
<i>Switching Characteristics - GP Output and Frame Capture Modes</i>				
$t_{DFSPE}$	Internal Frame Sync Delay After PPI_CLK		10.0	ns
$t_{HOFSPPE}$	Internal Frame Sync Hold After PPI_CLK	0.0		ns
$t_{DDTPE}$	Transmit Data Delay After PPI_CLK		10.0	ns
$t_{HDTPE}$	Transmit Data Hold After PPI_CLK	0.0		ns

<sup>1</sup> PPI\_CLK frequency cannot exceed  $f_{SCLK}/2$

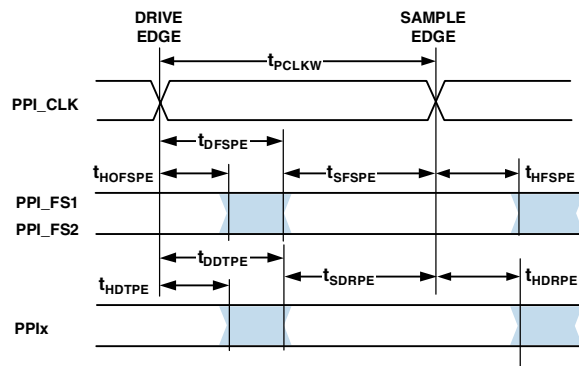


Figure 16. Parallel Peripheral Interface Timing

## Serial Ports

Table 23 through Table 28 on Page 35 and Figure 17 on Page 36 through Figure 19 on Page 38 describe Serial Port operations.

**Table 23. Serial Ports—External Clock**

Parameter		Minimum	Maximum	Unit
<i>Timing Requirements</i>				
$t_{SFSE}$	TFS/RFS Setup Before TSCLK/RSCLK <sup>1</sup>	3.0		ns
$t_{HFSE}$	TFS/RFS Hold After TSCLK/RSCLK <sup>1</sup>	3.0		ns
$t_{SDRE}$	Receive Data Setup Before RSCLK <sup>1</sup>	3.0		ns
$t_{HDRE}$	Receive Data Hold After RSCLK <sup>1</sup>	3.0		ns
$t_{SCLKEW}$	TSCLK/RSCLK Width	4.5		ns
$t_{SCLKE}$	TSCLK/RSCLK Period	15.0		ns

<sup>1</sup> Referenced to sample edge.

**Table 24. Serial Ports—Internal Clock**

Parameter		Minimum	Maximum	Unit
<i>Timing Requirements</i>				
$t_{SFSI}$	TFS/RFS Setup Before TSCLK/RSCLK <sup>1</sup>	8.0		ns
$t_{HFSI}$	TFS/RFS Hold After TSCLK/RSCLK <sup>1</sup>	-2.0		ns
$t_{SDRI}$	Receive Data Setup Before RSCLK <sup>1</sup>	6.0		ns
$t_{HDRI}$	Receive Data Hold After RSCLK <sup>1</sup>	0.0		ns
$t_{SCLKEW}$	TSCLK/RSCLK Width	4.5		ns
$t_{SCLKE}$	TSCLK/RSCLK Period	15.0		ns

<sup>1</sup> Referenced to sample edge.

**Table 25. Serial Ports—External Clock**

Parameter		Minimum	Maximum	Unit
<i>Switching Characteristics</i>				
$t_{DFSE}$	TFS/RFS Delay After TSCLK/RSCLK (Internally Generated TFS/RFS) <sup>1</sup>		10.0	ns
$t_{HOFSE}$	TFS/RFS Hold After TSCLK/RSCLK (Internally Generated TFS/RFS) <sup>1</sup>	0.0		ns
$t_{DDTE}$	Transmit Data Delay After TSCLK <sup>1</sup>		10.0	ns
$t_{HDTE}$	Transmit Data Hold After TSCLK <sup>1</sup>	0.0		ns

<sup>1</sup> Referenced to drive edge.

**Table 26. Serial Ports—Internal Clock**

Parameter		Minimum	Maximum	Unit
<i>Switching Characteristics</i>				
$t_{DFSi}$	TFS/RFS Delay After TSCLK/RSCLK (Internally Generated TFS/RFS) <sup>1</sup>		3.0	ns
$t_{HOFSi}$	TFS/RFS Hold After TSCLK/RSCLK (Internally Generated TFS/RFS) <sup>1</sup>	-1.0		ns
$t_{DDTi}$	Transmit Data Delay After TSCLK <sup>1</sup>		3.0	ns
$t_{HDTi}$	Transmit Data Hold After TSCLK <sup>1</sup>	-2.0		ns
$t_{SCLKIW}$	TSCLK/RSCLK Width	4.5		ns

<sup>1</sup> Referenced to drive edge.

**Table 27. Serial Ports—Enable and Three-State**

Parameter		Minimum	Maximum	Unit
<i>Switching Characteristics</i>				
$t_{DTENE}$	Data Enable Delay from External TSCLK <sup>1</sup>	0.0		ns
$t_{DDTTE}$	Data Disable Delay from External TSCLK <sup>1</sup>		10.0	ns
$t_{DTENI}$	Data Enable Delay from Internal TSCLK <sup>1</sup>	-2.0		ns
$t_{DDTTI}$	Data Disable Delay from Internal TSCLK <sup>1</sup>		3.0	ns

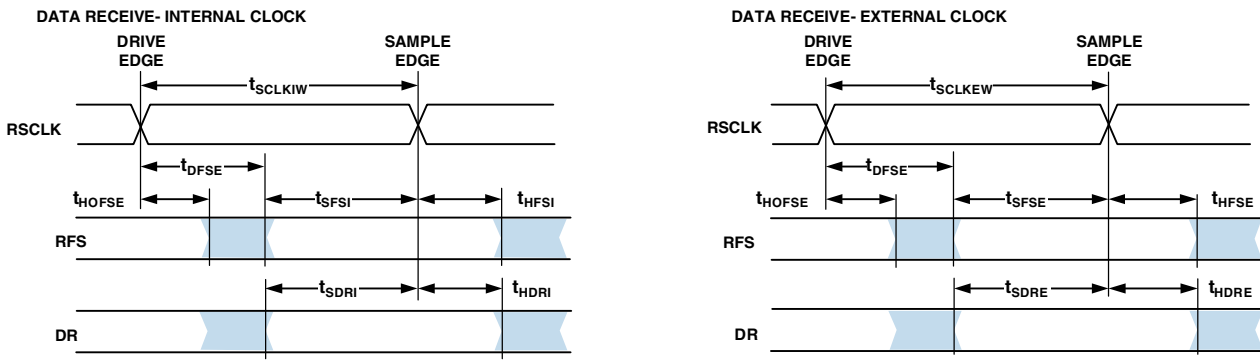
<sup>1</sup> Referenced to drive edge.

**Table 28. External Late Frame Sync**

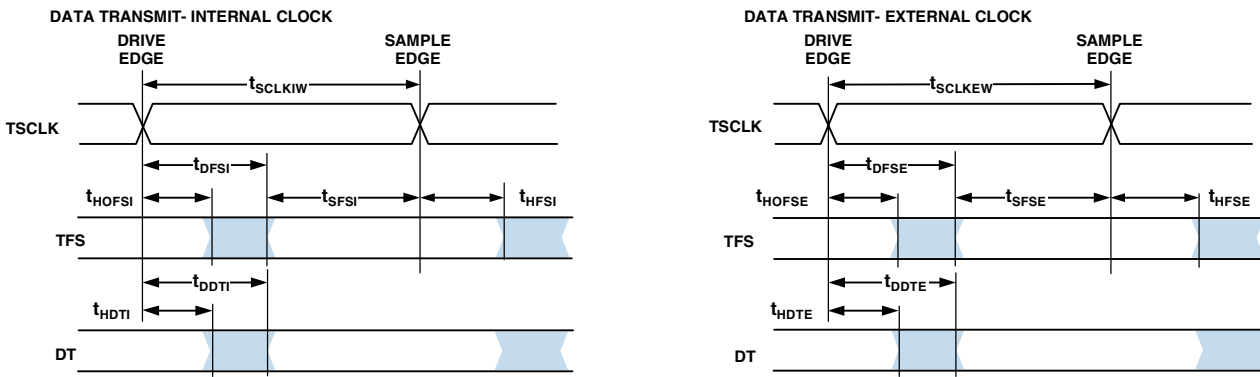
Parameter		Minimum	Maximum	Unit
<i>Switching Characteristics</i>				
$t_{DDTLFSE}$	Data Delay from Late External TFS or External RFS with MCE = 1, MFD = 0 <sup>1,2</sup>		10.0	ns
$t_{DTENLFSE}$	Data Enable from late FS or MCE = 1, MFD = 0 <sup>1,2</sup>	0.0		ns

<sup>1</sup> MCE = 1, TFS enable and TFS valid follow  $t_{DDTENFS}$  and  $t_{DDTLFSE}$ .

<sup>2</sup> If external RFS/TFS setup to  $RSCLK/TSCLK > t_{SCLKE}/2$  then  $t_{DDTLSCK}$  and  $t_{DTENLSCK}$  apply, otherwise  $t_{DDTLFSE}$  and  $t_{DTENLFSE}$  apply.



NOTE: EITHER THE RISING EDGE OR FALLING EDGE OF RCLK, TCLK CAN BE USED AS THE ACTIVE SAMPLING EDGE.



NOTE: EITHER THE RISING EDGE OR FALLING EDGE OF RCLK OR TCLK CAN BE USED AS THE ACTIVE SAMPLING EDGE.

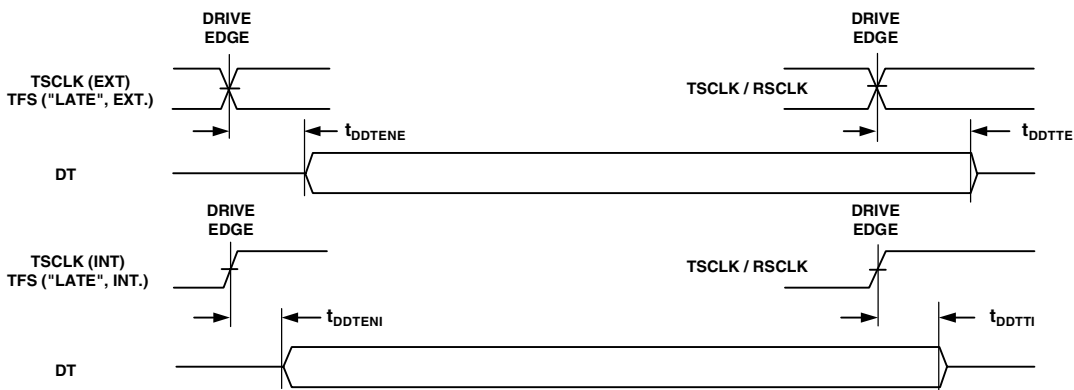
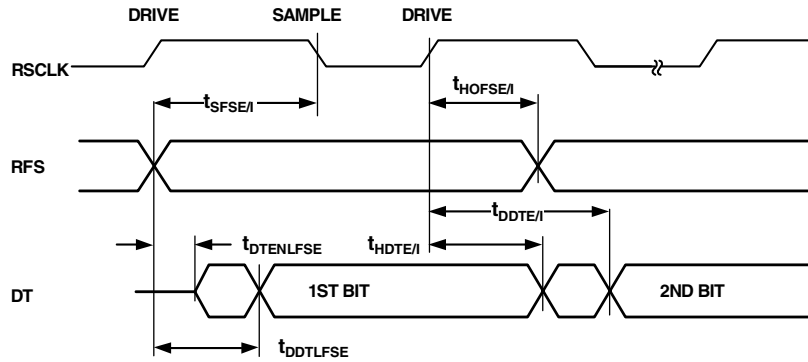


Figure 17. Serial Ports

EXTERNAL RFS WITH MCE = 1, MFD = 0



LATE EXTERNAL TFS

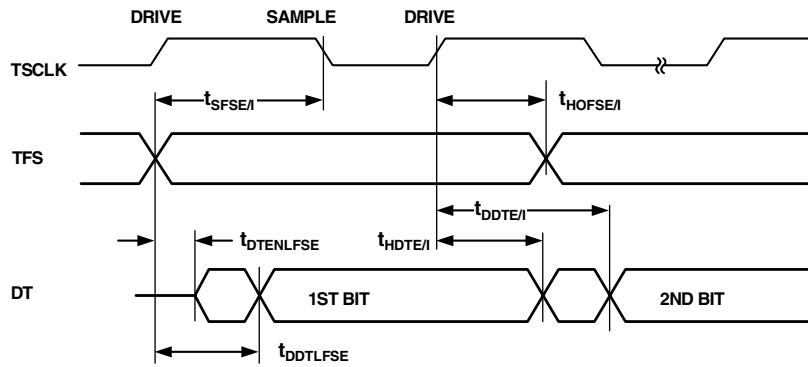
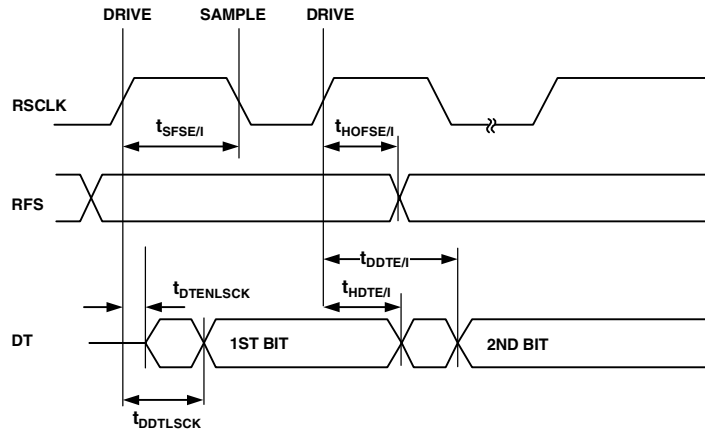


Figure 18. External Late Frame Sync (Frame Sync Setup <  $t_{SCLK}/2$ )



EXTERNAL RFS WITH MCE=1, MFD=0



LATE EXTERNAL TFS

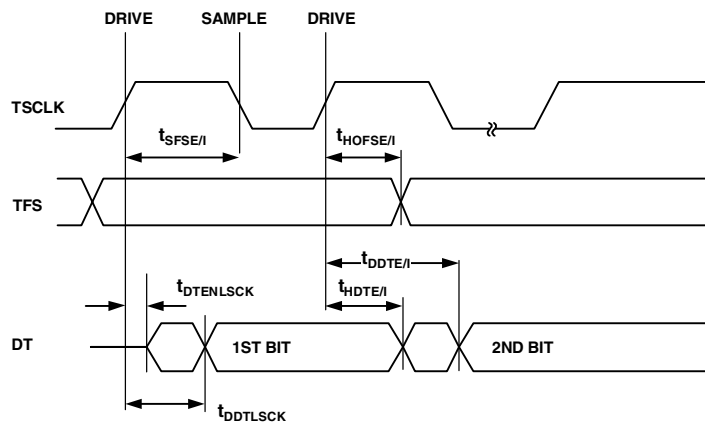


Figure 19. External Late Frame Sync (Frame Sync Setup >  $t_{SCLK}/2$ )

**Serial Peripheral Interface (SPI) Port—Master Timing**

Table 29 and Figure 20 describe SPI port master operations.

**Table 29. Serial Peripheral Interface (SPI) Port—Master Timing**

Parameter		Minimum	Maximum	Unit
<i>Timing Requirements</i>				
$t_{SSPIDM}$	Data input valid to SCK edge (data input setup)	7.5		ns
$t_{HSPIDM}$	SCK sampling edge to data input invalid	-1.5		ns
<i>Switching Characteristics</i>				
$t_{SDSCIM}$	$\overline{\text{SPISELx}}$ low to first SCK edge (x=0 or 1)	$2t_{SCLK} - 1.5$		ns
$t_{SPICHM}$	Serial clock high period	$2t_{SCLK} - 1.5$		ns
$t_{SPICLM}$	Serial clock low period	$2t_{SCLK} - 1.5$		ns
$t_{SPICLK}$	Serial clock period	$4t_{SCLK} - 1.5$		ns
$t_{HDSM}$	Last SCK edge to $\overline{\text{SPISELx}}$ high (x=0 or 1)	$2t_{SCLK} - 1.5$		ns
$t_{SPITDM}$	Sequential transfer delay	$2t_{SCLK} - 1.5$		ns
$t_{DDSPIDM}$	SCK edge to data out valid (data out delay)	0	6	ns
$t_{HDSPIDM}$	SCK edge to data out invalid (data out hold)	-1.0	4.0	ns

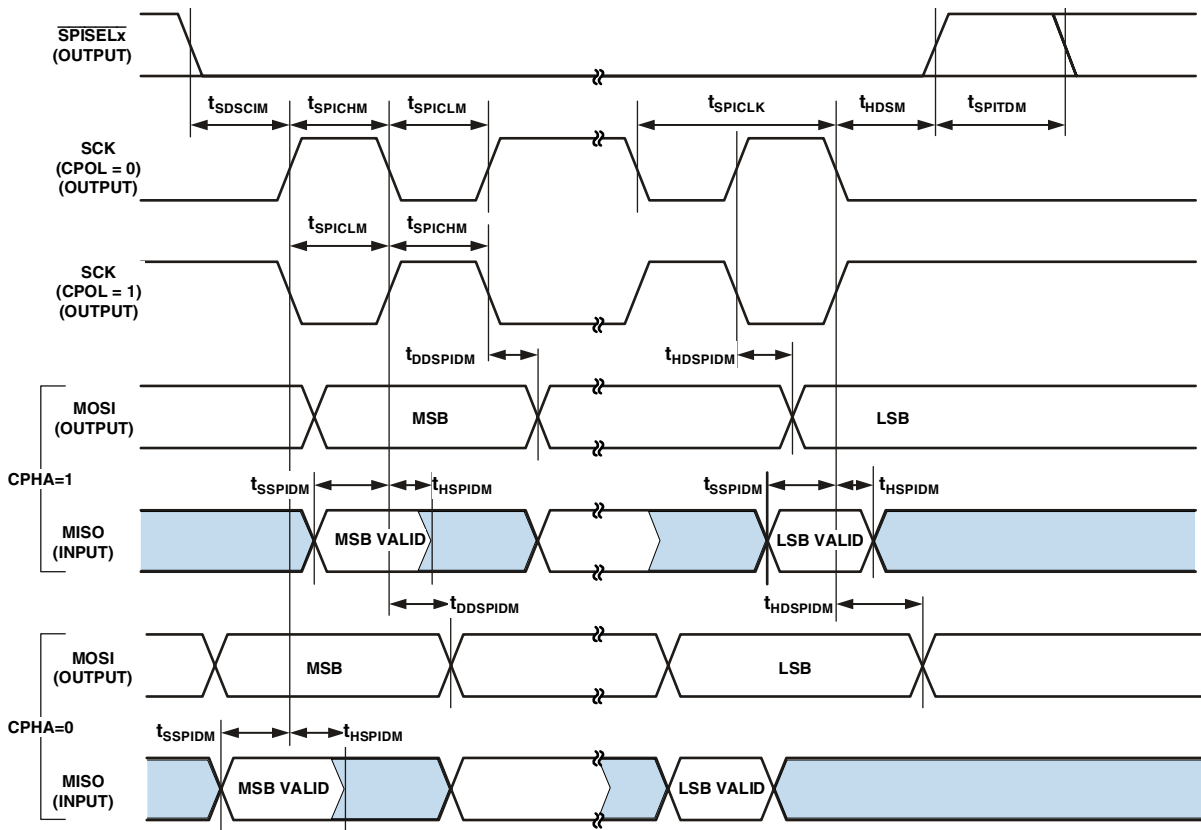


Figure 20. Serial Peripheral Interface (SPI) Port—Master Timing

**Serial Peripheral Interface (SPI) Port—Slave Timing**

Table 30 and Figure 21 describe SPI port slave operations.

**Table 30. Serial Peripheral Interface (SPI) Port—Slave Timing**

Parameter		Minimum	Maximum	Unit
<i>Timing Requirements</i>				
$t_{SPICHS}$	Serial clock high period	$2t_{SCLK} - 1.5$		ns
$t_{SPICLS}$	Serial clock low period	$2t_{SCLK} - 1.5$		ns
$t_{SPICLK}$	Serial clock period	$4t_{SCLK} - 1.5$		ns
$t_{HDS}$	Last SCK edge to $\overline{SPISS}$ not asserted	$2t_{SCLK} - 1.5$		ns
$t_{SPITDS}$	Sequential Transfer Delay	$2t_{SCLK} - 1.5$		ns
$t_{SDSCI}$	$\overline{SPISS}$ assertion to first SCK edge	$2t_{SCLK} - 1.5$		ns
$t_{SSPID}$	Data input valid to SCK edge (data input setup)	1.6		ns
$t_{HSPID}$	SCK sampling edge to data input invalid	1.6		ns
<i>Switching Characteristics</i>				
$t_{DSOE}$	$\overline{SPISS}$ assertion to data out active	0	8	ns
$t_{DSDHI}$	$\overline{SPISS}$ deassertion to data high impedance	0	8	ns
$t_{DDSPID}$	SCK edge to data out valid (data out delay)	0	10	ns
$t_{HDSPID}$	SCK edge to data out invalid (data out hold)	0	10	ns

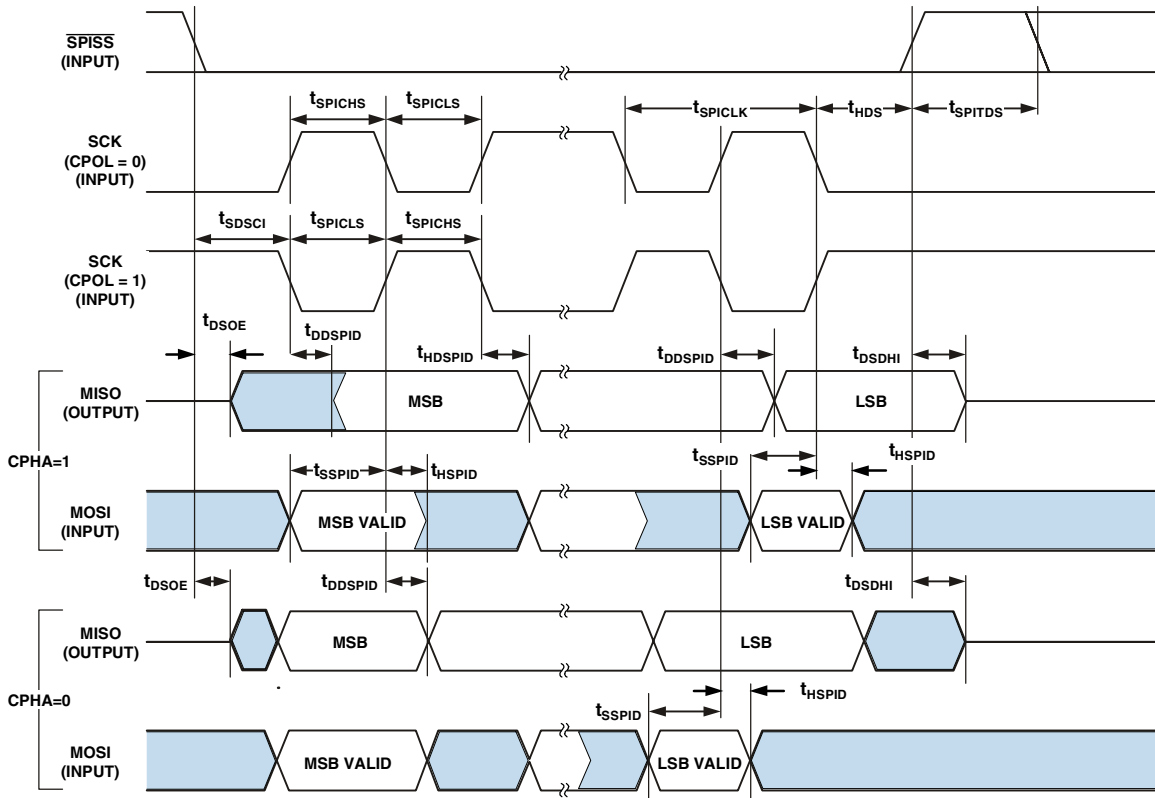


Figure 21. Serial Peripheral Interface (SPI) Port—Slave Timing

**Universal Asynchronous Receiver-Transmitter (UART) Ports—Receive and Transmit Timing**

Figure 22 describes the UART ports receive and transmit operations. The maximum baud rate is SCLK/16. As shown in Figure 22, there is some latency between the generation of internal UART interrupts and the external data operations. These

latencies are negligible at the data transmission rates for the UART.

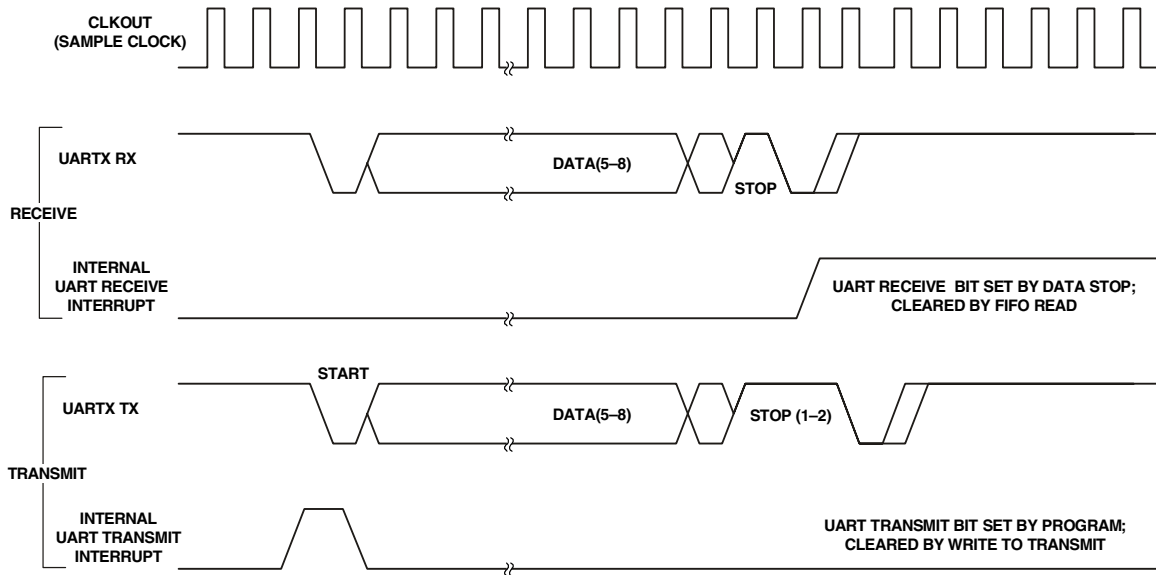


Figure 22. UART Ports—Receive and Transmit Timing

## General-Purpose Port Timing

Table 31 and Figure 23 describe general-purpose port operations.

Table 31. General-Purpose Port Timing

Parameter		Minimum	Maximum	Unit
<i>Timing Requirement</i>				
$t_{WFI}$	General-purpose port pin input pulsewidth	$t_{SCLK} + 1$		ns
$t_{GPPIS}$	General-purpose port pin input setup	TBD		ns
$t_{GPPIH}$	General-purpose port pin input hold	TBD		ns
<i>Switching Characteristic</i>				
$t_{GPOD}$	General-purpose port pin output delay from CLKOUT low	0	6	ns

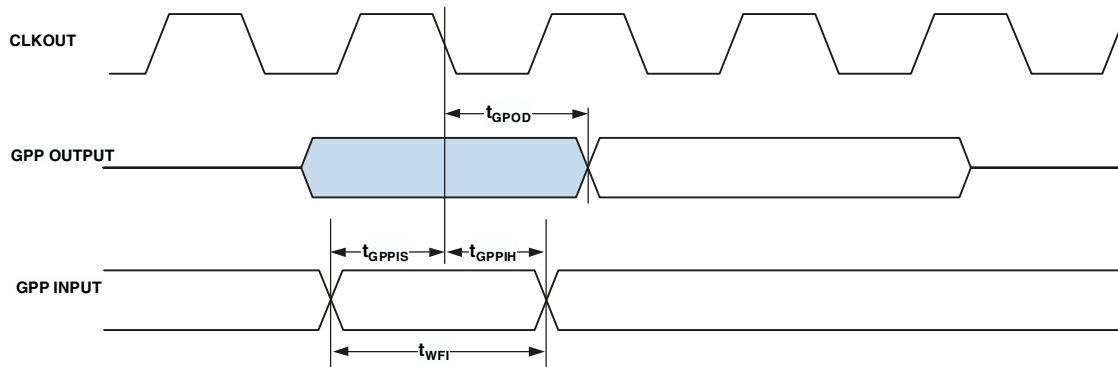


Figure 23. General-Purpose Port Timing

**Timer Cycle Timing**

Table 32 and Figure 24 describe timer expired operations. The input signal is asynchronous in “width capture mode” and “external clock mode” and has an absolute maximum input frequency of  $f_{SCLK}/2$  MHz.

**Table 32. Timer Cycle Timing**

Parameter		Minimum	Maximum	Unit
<i>Timing Characteristics</i>				
$t_{WL}$	Timer pulsewidth input low <sup>1</sup> (measured in SCLK cycles)	1		SCLK
$t_{WH}$	Timer pulsewidth input high <sup>1</sup> (measured in SCLK cycles)	1		SCLK
$t_{TIS}$	Timer input setup time before CLKOUT low	TBD		ns
$t_{TIH}$	Timer input hold time after CLKOUT low	TBD		ns
<i>Switching Characteristic</i>				
$t_{HTO}$	Timer pulsewidth output <sup>2</sup> (measured in SCLK cycles)	1	$(2^{32}-1)$	SCLK
$t_{TOD}$	Timer output update delay after CLKOUT low	0	TBD	ns

<sup>1</sup> The minimum pulsewidths apply for TMRx signals in width capture and external clock modes. They also apply to the PF15 or PPL\_CLK signals in PWM output mode.

<sup>2</sup> The minimum time for  $t_{HTO}$  is one cycle, and the maximum time for  $t_{HTO}$  equals  $(2^{32}-1)$  cycles.

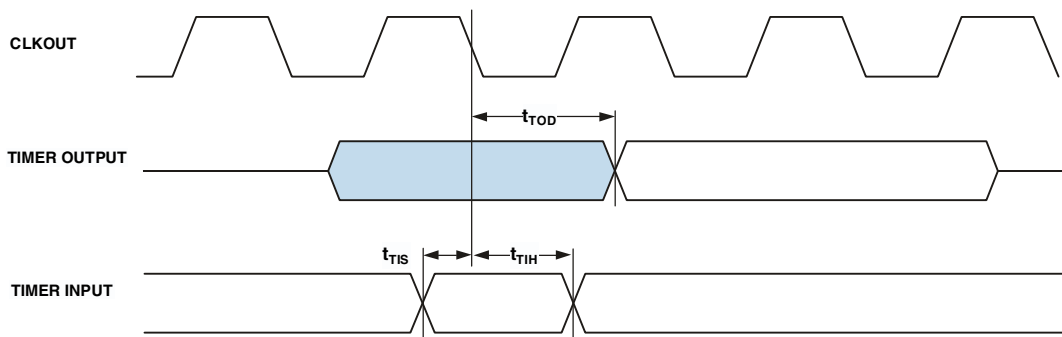


Figure 24. Timer Cycle Timing

## JTAG Test And Emulation Port Timing

Table 33 and Figure 25 describe JTAG port operations.

Table 33. JTAG Port Timing

Parameter		Minimum	Maximum	Unit
<i>Timing Parameters</i>				
$t_{TCK}$	TCK Period	20		ns
$t_{STAP}$	TDI, TMS Setup Before TCK High	4		ns
$t_{HTAP}$	TDI, TMS Hold After TCK High	4		ns
$t_{SSYS}$	System Inputs Setup Before TCK High <sup>1</sup>	4		ns
$t_{HSYS}$	System Inputs Hold After TCK High <sup>1</sup>	5		ns
$t_{TRSTW}$	$\overline{TRST}$ Pulsewidth <sup>2</sup> (measured in TCK cycles)	4		TCK
<i>Switching Characteristics</i>				
$t_{DTDO}$	TDO Delay from TCK Low		10	ns
$t_{DSYS}$	System Outputs Delay After TCK Low <sup>3</sup>	0	12	ns

<sup>1</sup> System Inputs=DATA15-0,  $\overline{BR}$ , ARDY, SCL, SDA, TFS0, TSCLK0, RSCLK0, RFS0, DR0PRI, DR0SEC, PF15-0, PG15-0, PH15-0, MDIO, RTXI, TCK, TD1, TMS,  $\overline{TRST}$ , CLKIN,  $\overline{RESET}$ , NMI, BMODE2-0.

<sup>2</sup> 50 MHz Maximum

<sup>3</sup> System Outputs=DATA15-0, ADDR19-1,  $\overline{ABE1-0}$ ,  $\overline{AOE}$ ,  $\overline{ARE}$ ,  $\overline{AWE}$ ,  $\overline{AMS3-0}$ ,  $\overline{SRAS}$ ,  $\overline{SCAS}$ ,  $\overline{SWE}$ , SCKE, CLKOUT, SA10,  $\overline{SMS}$ , SCL, SDA, TSCLK0, TFS0, RFS0, RSCLK0, DT0PRI, DT0SEC, PF15-0, PG15-0, PH15-0, MDC, MDIO, RTX0, TD0,  $\overline{EMU}$ , XTAL, CLKBUF, VR0UT.

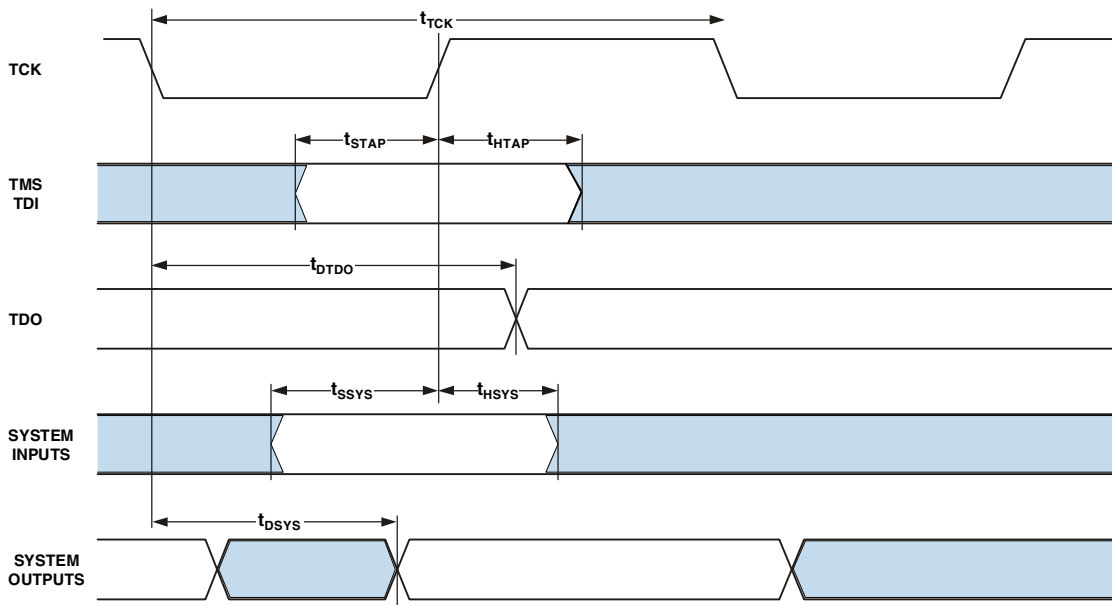


Figure 25. JTAG Port Timing

**TWI Controller Timing**

Table 34 through Table 41 and Figure 26 through Figure 29 describe the TWI Controller operations.

**Table 34. TWI Controller Timing: Bus Start/Stop Bits, Slave Mode, 100 kHz**

Parameter		Minimum	Maximum	Unit
t <sub>SU:STA</sub>	Start condition setup time	TBD	-	ns
t <sub>HD:STA</sub>	Start condition hold time	TBD	-	ns
t <sub>SU:STO</sub>	Stop condition setup time	TBD	-	ns
t <sub>HD:STO</sub>	Stop condition hold time	TBD	-	ns

**Table 35. TWI Controller Timing: Bus Start/Stop Bits, Slave Mode, 400 kHz**

Parameter		Minimum	Maximum	Unit
t <sub>SU:STA</sub>	Start condition setup time	TBD	-	ns
t <sub>HD:STA</sub>	Start condition hold time	TBD	-	ns
t <sub>SU:STO</sub>	Stop condition setup time	TBD	-	ns
t <sub>HD:STO</sub>	Stop condition hold time	TBD	-	ns

**Table 36. TWI Controller Timing: Bus Data Requirements, Slave Mode, 100 kHz**

Parameter		Minimum	Maximum	Unit
t <sub>HIGH</sub>	Clock high time	TBD	-	μs
t <sub>LOW</sub>	Clock low time	TBD	-	μs
t <sub>R</sub>	SDA and SCL rise time	-	TBD	ns
t <sub>F</sub>	SDA and SCL fall time	-	TBD	ns
t <sub>SU:STA</sub>	Start condition setup time	TBD	-	μs
t <sub>HD:STA</sub>	Start condition hold time	TBD	-	μs
t <sub>HD:DAT</sub>	Data input hold time	TBD	-	ns
t <sub>SU:DAT</sub>	Data input setup time <sup>1</sup>	TBD	-	ns
t <sub>SU:STO</sub>	Stop condition setup time	TBD	-	μs
t <sub>TAA</sub>	Output valid from clock <sup>2</sup>	-	TBD	ns
t <sub>BUF</sub>	Bus free time	TBD	-	μs
C <sub>B</sub>	Bus capacitive loading	-	TBD	pF

<sup>1</sup> As a transmitter, the device must provide this internal minimum delay time to bridge the undefined region (min. TBD ns) of the falling edge of SCL to avoid unintended generation of START or STOP conditions.

<sup>2</sup> A Fast mode TWI bus device can be used in a Standard mode TWI bus system, but the requirement T<sub>SU:DAT</sub> ≥ 250 ns must then be met. This will automatically be the case if the device does not stretch the LOW period of the SCL signal. If such a device does stretch the LOW period of the SCL signal, it must output the next data bit to the SDA line. Before the SCL line is released, T<sub>R max.</sub> + T<sub>SU:DAT</sub> = 1000 + 250 = 1250 ns (according to the Standard mode I<sup>2</sup>C bus specification).



**Table 37. TWI Controller Timing: Bus Data Requirements, Slave Mode, 400 kHz**

Parameter		Minimum	Maximum	Unit
t <sub>HIGH</sub>	Clock high time	TBD	-	μs
t <sub>LOW</sub>	Clock low time	TBD	-	μs
t <sub>R</sub>	SDA and SCL rise time	TBD	TBD	ns
t <sub>F</sub>	SDA and SCL fall time	TBD	TBD	ns
t <sub>SU:STA</sub>	Start condition setup time	TBD	-	μs
t <sub>HD:STA</sub>	Start condition hold time	TBD	-	μs
t <sub>HD:DAT</sub>	Data input hold time	TBD	TBD	μs
t <sub>SU:DAT</sub>	Data input setup time <sup>1</sup>	TBD	-	ns
t <sub>SU:STO</sub>	Stop condition setup time	TBD	-	μs
t <sub>TAA</sub>	Output valid from clock	-	-	ns
t <sub>BUF</sub>	Bus free time	TBD	-	μs
C <sub>B</sub>	Bus capacitive loading	-	TBD	pF

<sup>1</sup> As a transmitter, the device must provide this internal minimum delay time to bridge the undefined region (min. TBD ns) of the falling edge of SCL to avoid unintended generation of START or STOP conditions.

**Table 38. TWI Controller Timing: Bus Start/Stop Bits, Master Mode, 100 kHz**

Parameter		Minimum	Maximum	Unit
t <sub>SU:STA</sub>	Start condition setup time	TBD	-	ns
t <sub>HD:STA</sub>	Start condition hold time	TBD	-	ns
t <sub>SU:STO</sub>	Stop condition setup time	TBD	-	ns
t <sub>HD:STO</sub>	Stop condition hold time	TBD	-	ns

**Table 39. TWI Controller Timing: Bus Start/Stop Bits, Master Mode, 400 kHz**

Parameter		Minimum	Maximum	Unit
t <sub>SU:STA</sub>	Start condition setup time	TBD	-	ns
t <sub>HD:STA</sub>	Start condition hold time	TBD	-	ns
t <sub>SU:STO</sub>	Stop condition setup time	TBD	-	ns
t <sub>HD:STO</sub>	Stop condition hold time	TBD	-	ns

**Table 40. TWI Controller Timing: Bus Data Requirements, Master Mode, 100 kHz**

Parameter		Minimum	Maximum	Unit
t <sub>HIGH</sub>	Clock high time	TBD	-	ms
t <sub>LOW</sub>	Clock low time	TBD	-	ms
t <sub>R</sub>	SDA and SCL rise time	-	TBD	ns
t <sub>F</sub>	SDA and SCL fall time	-	TBD	ns
t <sub>SU:STA</sub>	Start condition setup time	TBD	-	ms
t <sub>HD:STA</sub>	Start condition hold time	TBD	-	ms
t <sub>HD:DAT</sub>	Data input hold time	TBD	-	ns
t <sub>SU:DAT</sub>	Data input setup time <sup>1</sup>	TBD	-	ns
t <sub>SU:STO</sub>	Stop condition setup time	TBD	-	ms
t <sub>TAA</sub>	Output valid from clock	-	TBD	ns
t <sub>BUF</sub>	Bus free time	TBD	-	ms
C <sub>B</sub>	Bus capacitive loading	-	TBD	pF

<sup>1</sup> A Fast mode TWI bus device can be used in a Standard mode TWI bus system, but the requirement  $T_{SU:DAT} \geq 250$  ns must then be met. This will automatically be the case if the device does not stretch the LOW period of the SCL signal. If such a device does stretch the LOW period of the SCL signal, it must output the next data bit to the SDA line. Before the SCL line is released,  $T_{R\ max.} + T_{SU:DAT} = 1000 + 250 = 1250$  ns (according to the Standard mode I<sup>2</sup>C bus specification).

Table 41. TWI Controller Timing: Bus Data Requirements, Master Mode, 400 kHz

Parameter		Minimum	Maximum	Unit
$t_{HIGH}$	Clock high time	TBD	-	ms
$t_{LOW}$	Clock low time	TBD	-	ms
$t_R$	SDA and SCL rise time	TBD	TBD	ns
$t_F$	SDA and SCL fall time	TBD	TBD	ns
$t_{SU:STA}$	Start condition setup time	TBD	-	ms
$t_{HD:STA}$	Start condition hold time	TBD	-	ms
$t_{HD:DAT}$	Data input hold time	TBD	TBD	ns
$t_{SU:DAT}^1$	Data input setup time <sup>1</sup>	TBD	-	ns
$t_{SU:STO}$	Stop condition setup time	TBD	-	ms
$t_{TAA}$	Output valid from clock	-	-	ns
$t_{BUF}$	Bus free time	TBD	-	ms
$C_B$	Bus capacitive loading	-	TBD	pF

<sup>1</sup> A Fast mode TWI bus device can be used in a Standard mode TWI bus system, but the requirement  $T_{SU:DAT} \geq 250$  ns must then be met. This will automatically be the case if the device does not stretch the LOW period of the SCL signal. If such a device does stretch the LOW period of the SCL signal, it must output the next data bit to the SDA line. Before the SCL line is released,  $T_R \text{ max.} + T_{SU:DAT} = 1000 + 250 = 1250$  ns (according to the Standard mode I<sup>2</sup>C bus specification).

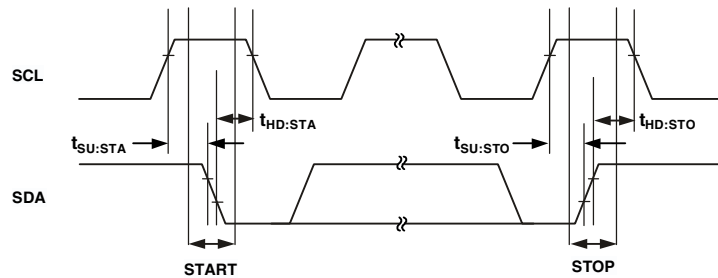


Figure 26. TWI Controller Timing: Bus Start/Stop Bits, Slave Mode

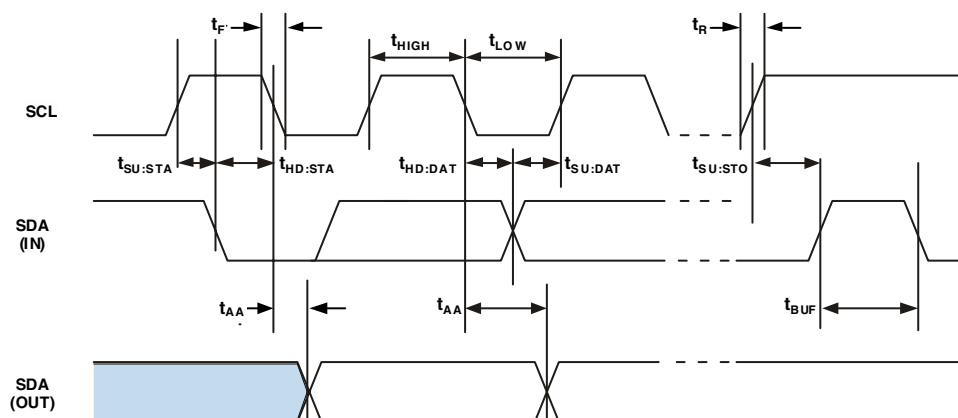


Figure 27. TWI Controller Timing: Bus Data, Slave Mode

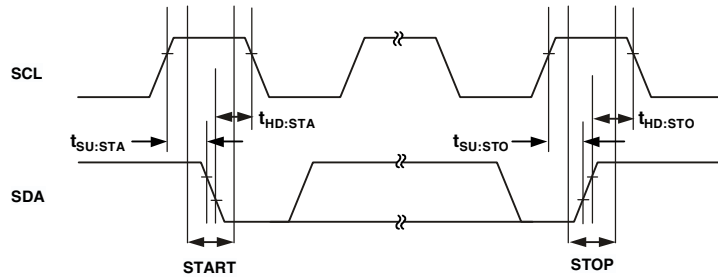


Figure 28. TWI Controller Timing: Bus Start/Stop Bits, Master Mode

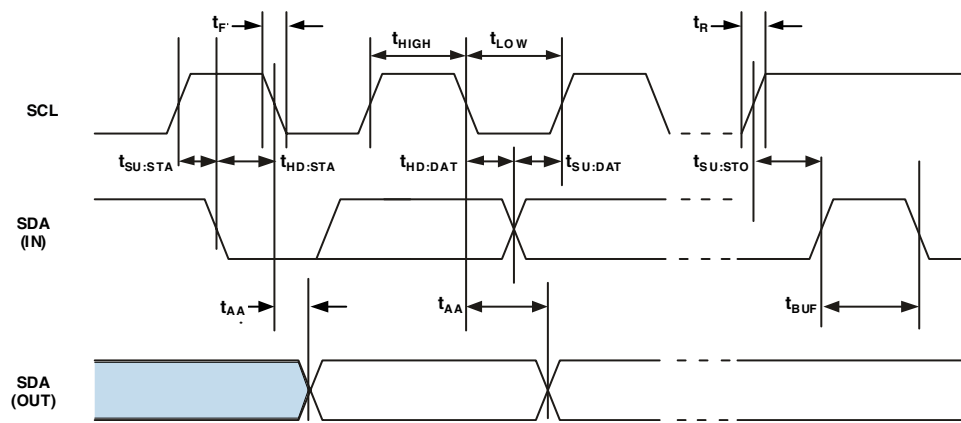


Figure 29. TWI Controller Timing: Bus Data, Master Mode

**10/100 Ethernet MAC Controller Timing**

Table 42 through Table 47 and Figure 30 through Figure 35 describe the 10/100 Ethernet MAC Controller operations.

**Table 42. 10/100 Ethernet MAC Controller Timing: MII Receive Signal**

Parameter <sup>1</sup>		Minimum	Maximum	Unit
t <sub>ERXCLKF</sub>	ERxCLK frequency (f <sub>sclk</sub> = SCLK frequency)	None	25 MHz + 1%	ns
t <sub>ERXCLKW</sub>	ERxCLK width (t <sub>ERXCLK</sub> = ERxCLK period)	t <sub>ERXCLK</sub> × 35%	f <sub>SCLK</sub> + 1%	ns
t <sub>ERXCLKIS</sub>	Rx input valid to ERxCLK rising edge (data in setup)	7.5	-	ns
t <sub>ERXCLKIH</sub>	ERxCLK rising edge to Rx input invalid (data in hold)	7.5	-	ns

<sup>1</sup> MII inputs synchronous to ERxCLK are ERxD3–0, ERxDV, and ERxER.

**Table 43. 10/100 Ethernet MAC Controller Timing: MII Transmit Signal**

Parameter <sup>1</sup>		Minimum	Maximum	Unit
t <sub>ETF</sub>	ETxCLK frequency (f <sub>sclk</sub> = SCLK frequency)	None	25 MHz + 1%	ns
t <sub>ETXCLKW</sub>	ETxCLK width (t <sub>ETXCLK</sub> = ETxCLK period)	t <sub>ETXCLK</sub> × 35%	f <sub>SCLK</sub> + 1%	ns
t <sub>ETXCLKOV</sub>	ETxCLK rising edge to Tx output valid (data out valid)	-	20	ns
t <sub>ETXCLKOH</sub>	ETxCLK rising edge to Tx output invalid (data out hold)	0	-	ns

<sup>1</sup> MII outputs synchronous to ETxCLK are ETxD3–0.

**Table 44. 10/100 Ethernet MAC Controller Timing: RMII Receive Signal**

Parameter <sup>1</sup>		Minimum	Maximum	Unit
t <sub>EREFCLKF</sub>	REF_CLK frequency (f <sub>sclk</sub> = SCLK frequency)	None	50 MHz + 1%	ns
t <sub>EREFCLKW</sub>	EREF_CLK width (t <sub>EREFCLK</sub> = EREFCLK period)	t <sub>EREFCLK</sub> × 35%	2 × f <sub>SCLK</sub> + 1%	ns
t <sub>EREFCLKIS</sub>	Rx input valid to RMII REF_CLK rising edge (data in setup)	4	-	ns
t <sub>EREFCLKIH</sub>	RMII REF_CLK rising edge to Rx input invalid (data in hold)	2	-	ns

<sup>1</sup> RMII inputs synchronous to RMII REF\_CLK are ERxD1–0, RMII CRS\_DV, and ERxER.

**Table 45. 10/100 Ethernet MAC Controller Timing: RMII Transmit Signal**

Parameter <sup>1</sup>		Minimum	Maximum	Unit
t <sub>EREFCLKOV</sub>	RMII REF_CLK rising edge to Tx output valid (data out valid)	-	4	ns
t <sub>EREFCLKOH</sub>	RMII REF_CLK rising edge to Tx output invalid (data out hold)	2	-	ns

<sup>1</sup> RMII outputs synchronous to RMII REF\_CLK are ETxD1–0.

**Table 46. 10/100 Ethernet MAC Controller Timing: MII/RMII Asynchronous Signal**

Parameter <sup>1,2</sup>		Minimum	Maximum	Unit
t <sub>ECOLH</sub>	COL pulse width high	t <sub>ETXCLK</sub> × 1.5	-	ns
t <sub>ECOLL</sub>	COL pulse width low	t <sub>ERXCLK</sub> × 1.5	-	ns
t <sub>ECRSH</sub>	CRS pulse width high	t <sub>ETXCLK</sub> × 1.5	-	ns
t <sub>ECRSL</sub>	CRS pulse width low	t <sub>ERXCLK</sub> × 1.5	-	ns

<sup>1</sup> MII/RMII asynchronous signals are COL, CRS. These signals are applicable in both MII and RMII modes. The asynchronous COL input is synchronized separately to both the ETxCLK and the ERxCLK, and must have a minimum pulse width high or low at least 1.5 times the period of the slower of the two clocks.

<sup>2</sup> The asynchronous CRS input is synchronized to the ETxCLK, and must have a minimum pulse width high or low at least 1.5 times the period of ETxCLK.

**Table 47. 10/100 Ethernet MAC Controller Timing: MII Station Management**

Parameter <sup>1</sup>		Minimum	Maximum	Unit
$t_{MDIOS}$	MDIO input valid to MDC rising edge (setup)	10	-	ns
$t_{MDCIH}$	MDC rising edge to MDIO input invalid (hold)	10	-	ns
$t_{MDCOV}$	MDC falling edge to MDIO output valid	25	-	ns
$t_{MDCOH}$	MDC falling edge to MDIO output invalid (hold)	0	-	ns

<sup>1</sup> MDC/MDIO is a 2-wire serial bidirectional port for controlling one or more external PHYs. MDC is an output clock whose minimum period is programmable as a multiple of the system clock SCLK. MDIO is a bidirectional data line.

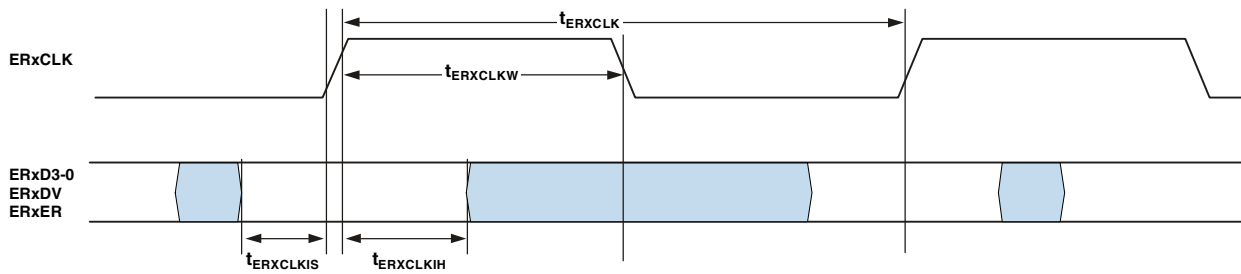


Figure 30. 10/100 Ethernet MAC Controller Timing: MII Receive Signal

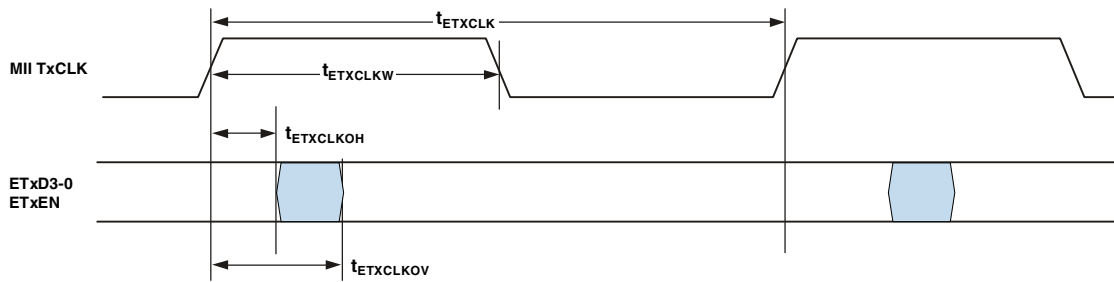


Figure 31. 10/100 Ethernet MAC Controller Timing: MII Transmit Signal

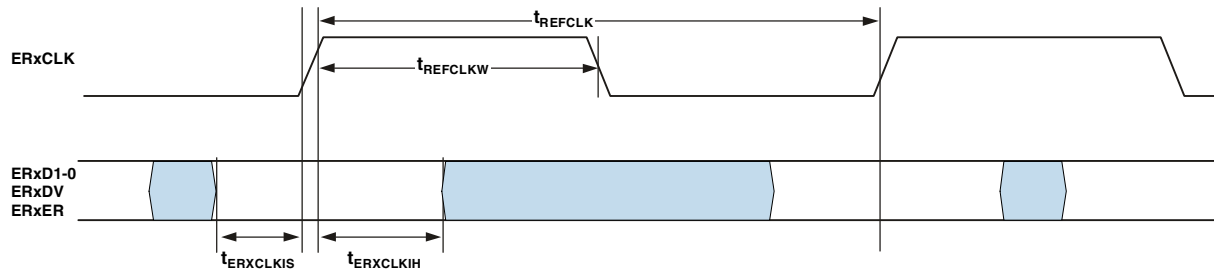


Figure 32. 10/100 Ethernet MAC Controller Timing: RMI Receive Signal

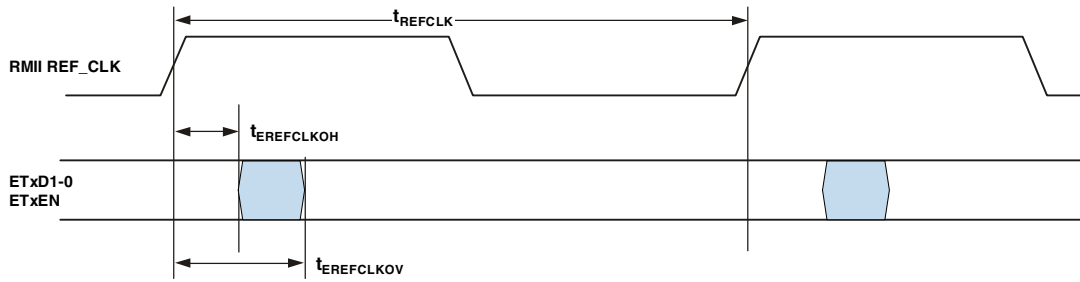


Figure 33. 10/100 Ethernet MAC Controller Timing: RMI Transmit Signal

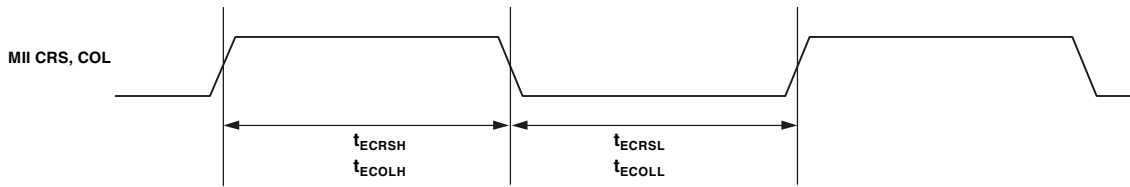


Figure 34. 10/100 Ethernet MAC Controller Timing: Asynchronous Signal

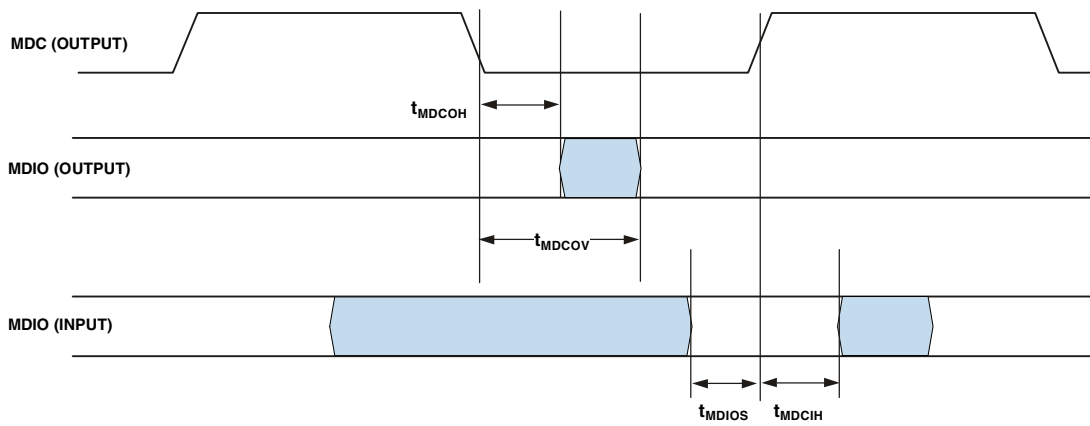


Figure 35. 10/100 Ethernet MAC Controller Timing: MII Station Management

## OUTPUT DRIVE CURRENTS

Figure 36 through Figure 45 show typical current-voltage characteristics for the output drivers of the ADSP-BF536/BF537 processor. The curves represent the current drive capability of the output drivers as a function of output voltage. See Table 9 on page 19 for information about which driver type corresponds to a particular pin.



Figure 36. Drive Current A (Low  $V_{DDEXT}$ )

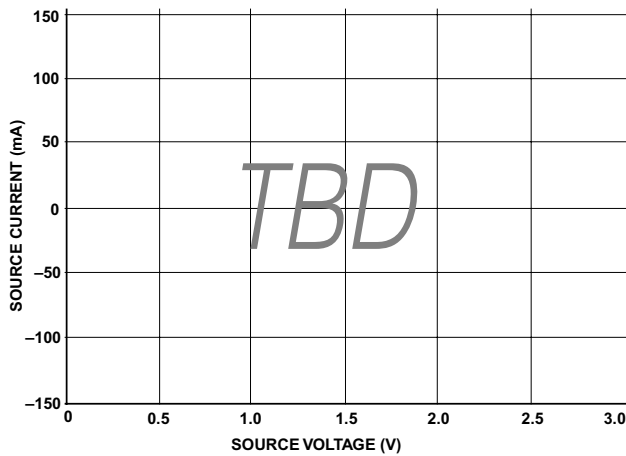


Figure 37. Drive Current A (High  $V_{DDEXT}$ )

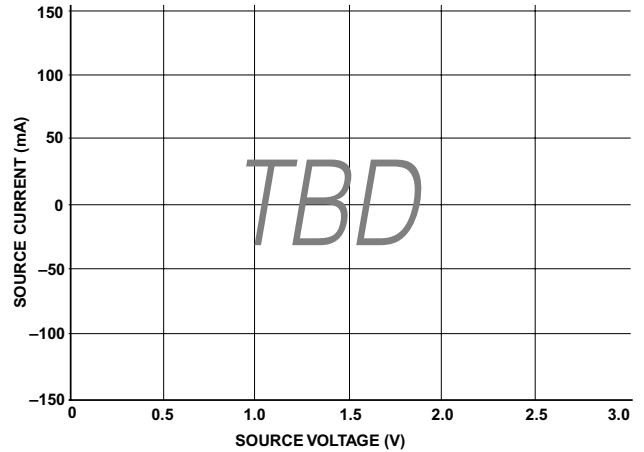


Figure 38. Drive Current B (Low  $V_{DDEXT}$ )

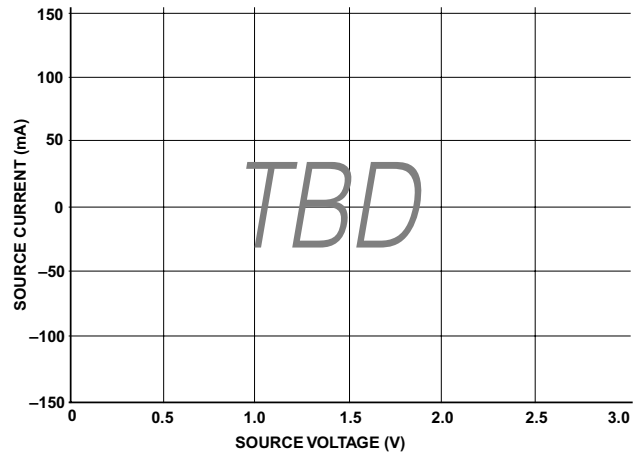


Figure 39. Drive Current B (High  $V_{DDEXT}$ )

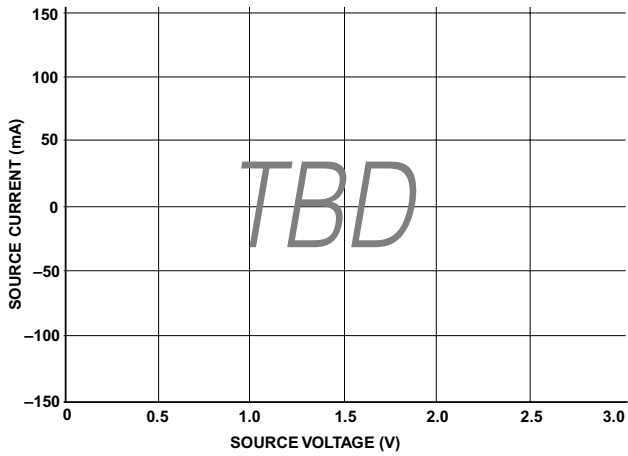


Figure 40. Drive Current C (Low  $V_{DDEXT}$ )

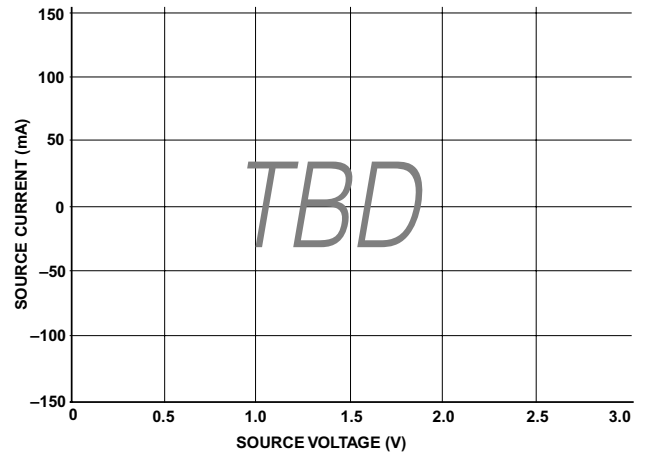


Figure 42. Drive Current D (Low  $V_{DDEXT}$ )

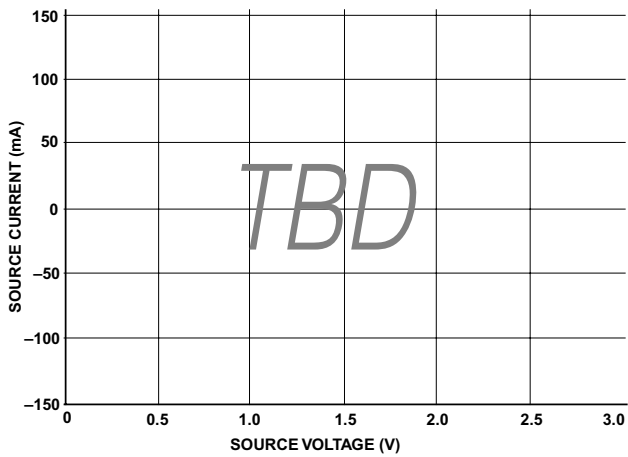


Figure 41. Drive Current C (High  $V_{DDEXT}$ )

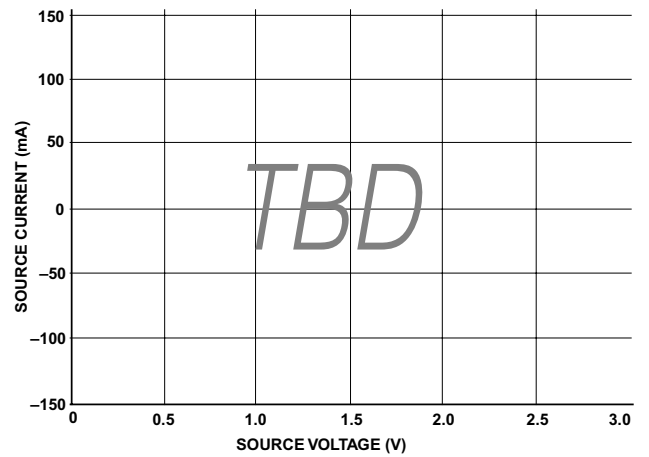


Figure 43. Drive Current D (High  $V_{DDEXT}$ )



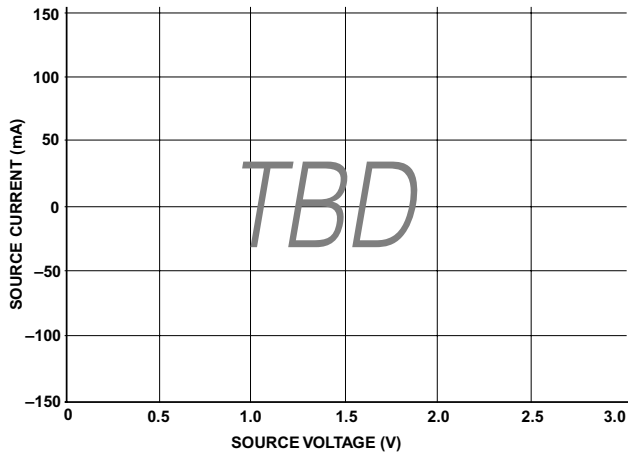


Figure 44. Drive Current E (Low  $V_{DDEXT}$ )

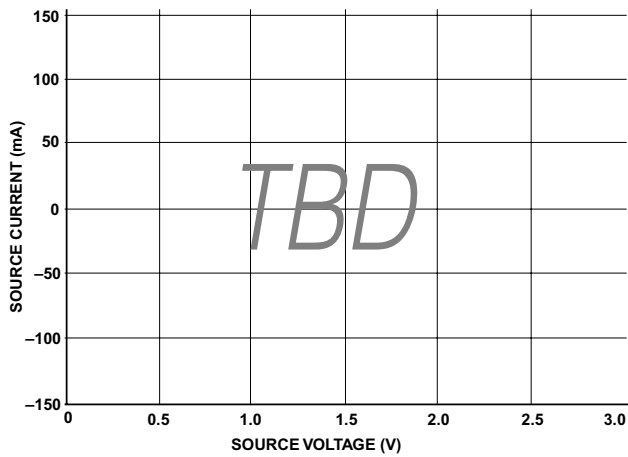


Figure 45. Drive Current E (High  $V_{DDEXT}$ )

**POWER DISSIPATION**

Total power dissipation has two components: one due to internal circuitry ( $P_{INT}$ ) and one due to the switching of external output drivers ( $P_{EXT}$ ). Table 48 shows the power dissipation for internal circuitry ( $V_{DDINT}$ ). Internal power dissipation is dependent on the instruction execution sequence and the data operands involved.

The external component of total power dissipation is caused by the switching of output pins. Its magnitude depends on:

- Maximum frequency ( $f_0$ ) at which all output pins can switch during each cycle
- Load capacitance ( $C_0$ ) of all switching output pins
- Their voltage swing ( $V_{DDEXT}$ )

The external component is calculated using:

$$P_{EXT} = V_{DDEXT}^2 \times \sum C_0 \cdot f_0$$

**Table 48. Internal Power Dissipation**

Parameter	Test Conditions <sup>1</sup>				Unit	
	f <sub>CCLK</sub> = 50 MHz V <sub>DDINT</sub> = 0.8 V	f <sub>CCLK</sub> = 150 MHz V <sub>DDINT</sub> = 0.9 V	f <sub>CCLK</sub> = 250 MHz V <sub>DDINT</sub> = 1.0 V	f <sub>CCLK</sub> = 400 MHz V <sub>DDINT</sub> = 1.2 V		
I <sub>DDTYP</sub> <sup>2</sup>	TBD	TBD	TBD	TBD	mA	
I <sub>DDEFR</sub> <sup>3</sup>	TBD	TBD	TBD	TBD	mA	
I <sub>DDSLEEP</sub> <sup>45</sup>	TBD	TBD	TBD	TBD	mA	
I <sub>DDDEEPSLEEP</sub> <sup>4</sup>	TBD	TBD	TBD	TBD	mA	
I <sub>DDHIBERNATE</sub> <sup>5</sup>	50	50	50	50	µA	
Parameter	f <sub>CCLK</sub> = 200 MHz V <sub>DDINT</sub> = 0.9 V			f <sub>CCLK</sub> = 400 MHz V <sub>DDINT</sub> = 1.0 V	f <sub>CCLK</sub> = 500 MHz V <sub>DDINT</sub> = 1.2 V	Unit
I <sub>DDTYP</sub> <sup>2</sup>	-	TBD	TBD	TBD	TBD	mA
I <sub>DDEFR</sub> <sup>3</sup>	-	TBD	TBD	TBD	TBD	mA
I <sub>DDSLEEP</sub> <sup>45</sup>	-	TBD	TBD	TBD	TBD	mA
I <sub>DDDEEPSLEEP</sub> <sup>4</sup>	-	TBD	TBD	TBD	TBD	mA
I <sub>DDHIBERNATE</sub> <sup>5</sup>	-	50	50	50	50	µA
Parameter	f <sub>CCLK</sub> = 600 MHz V <sub>DDINT</sub> = 1.2 V				Unit	
I <sub>DDTYP</sub> <sup>2</sup>	-	-	-	TBD	mA	
I <sub>DDEFR</sub> <sup>3</sup>	-	-	-	TBD	mA	
I <sub>DDSLEEP</sub> <sup>45</sup>	-	-	-	TBD	mA	
I <sub>DDDEEPSLEEP</sub> <sup>4</sup>	-	-	-	TBD	mA	
I <sub>DDHIBERNATE</sub> <sup>5</sup>	-	-	-	50	µA	

<sup>1</sup> I<sub>DD</sub> data is specified for typical process parameters. All data at 25°C.  
<sup>2</sup> Processor executing 75% dual Mac, 25% ADD with moderate data bus activity.  
<sup>3</sup> Implementation of Enhanced Full Rate (EFR) GSM algorithm.  
<sup>4</sup> See the ADSP-BF537 Blackfin Processor Hardware Reference Manual for definitions of Sleep and Deep Sleep operating modes.  
<sup>5</sup> I<sub>DDHIBERNATE</sub> is measured @ V<sub>DDEXT</sub> = 3.65 V with VR off (V<sub>DDCORE</sub> = 0 V).

The frequency  $f$  includes driving the load high and then back low. For example: DATA15-0 pins can drive high and low at a maximum rate of  $1/(2 \times t_{SCLK})$  while in SDRAM burst mode.

A typical power consumption can now be calculated for these conditions by adding a typical internal power dissipation:

$$P_{TOTAL} = P_{EXT} + (I_{DD} \times V_{DDINT})$$

Note that the conditions causing a worst-case  $P_{EXT}$  differ from those causing a worst-case  $P_{INT}$ . Maximum  $P_{INT}$  cannot occur while 100% of the output pins are switching from all ones (1s) to all zeros (0s). Note, as well, that it is not common for an application to have 100% or even 50% of the outputs switching simultaneously.

**TEST CONDITIONS**

All timing parameters appearing in this data sheet were measured under the conditions described in this section.

**Output Enable Time**

Output pins are considered to be enabled when they have made a transition from a high impedance state to the point when they start driving. The output enable time  $t_{ENA}$  is the interval from the point when a reference signal reaches a high or low voltage level to the point when the output starts driving as shown in the Output Enable/Disable diagram (Figure 46). The time  $t_{ENA\_MEASURED}$  is the interval from when the reference signal switches to when the output voltage reaches 2.0 V (output high) or 1.0 V (output low). Time  $t_{TRIP}$  is the interval from when the output starts driving to when the output reaches the 1.0 V or 2.0 V trip voltage. Time  $t_{ENA}$  is calculated as shown in the equation:

$$t_{ENA} = t_{ENA\_MEASURED} - t_{TRIP}$$

If multiple pins (such as the data bus) are enabled, the measurement value is that of the first pin to start driving.

**Output Disable Time**

Output pins are considered to be disabled when they stop driving, go into a high impedance state, and start to decay from their output high or low voltage. The time for the voltage on the bus to decay by  $\Delta V$  is dependent on the capacitive load,  $C_L$  and the load current,  $I_L$ . This decay time can be approximated by the equation:

$$t_{DECAY} = (C_L \Delta V) / I_L$$

The output disable time  $t_{DIS}$  is the difference between  $t_{DIS\_MEASURED}$  and  $t_{DECAY}$  as shown in Figure 46. The time  $t_{DIS\_MEASURED}$  is the interval from when the reference signal switches to when the output voltage decays  $\Delta V$  from the measured output high or output low voltage. The time  $t_{DECAY}$  is calculated with test loads  $C_L$  and  $I_L$ , and with  $\Delta V$  equal to 0.5 V.

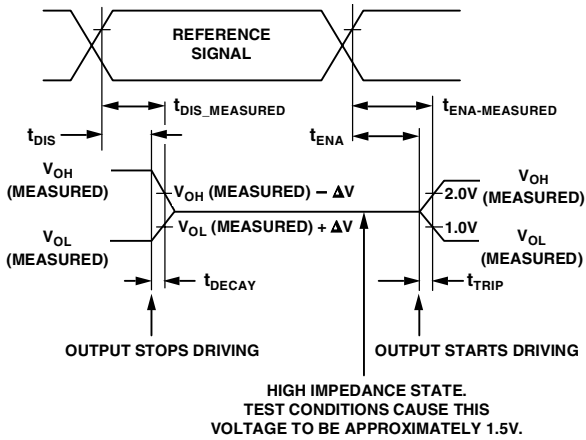


Figure 46. Output Enable/Disable

**Example System Hold Time Calculation**

To determine the data output hold time in a particular system, first calculate  $t_{DECAY}$  using the equation given above. Choose  $\Delta V$  to be the difference between the ADSP-BF536/BF537 processor's output voltage and the input threshold for the device

**ENVIRONMENTAL CONDITIONS**

To determine the junction temperature on the application printed circuit board use:

$$T_J = T_{CASE} + (\Psi_{JT} \times P_D)$$

where:

$T_J$  = Junction temperature (°C)

$T_{CASE}$  = Case temperature (°C) measured by customer at top center of package.

$\Psi_{JT}$  = From Table 49

$P_D$  = Power dissipation (see Power Dissipation on Page 55 for the method to calculate  $P_D$ )

Values of  $\theta_{JA}$  are provided for package comparison and printed circuit board design considerations.  $\theta_{JA}$  can be used for a first order approximation of  $T_J$  by the equation:

$$T_J = T_A + (\theta_{JA} \times P_D)$$

where:

$T_A$  = Ambient temperature (°C)

Values of  $\theta_{JC}$  are provided for package comparison and printed circuit board design considerations when an external heatsink is required.

Values of  $\theta_{JB}$  are provided for package comparison and printed circuit board design considerations.

requiring the hold time. A typical  $\Delta V$  will be 0.4 V.  $C_L$  is the total bus capacitance (per data line), and  $I_L$  is the total leakage or three-state current (per data line). The hold time will be  $t_{DECAY}$  plus the minimum disable time (for example,  $t_{DSDAT}$  for an SDRAM write cycle).

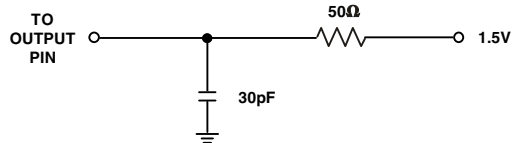


Figure 47. Equivalent Device Loading for AC Measurements (Includes All Fixtures)

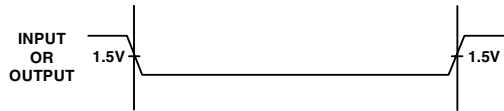


Figure 48. Voltage Reference Levels for AC Measurements (Except Output Enable/Disable)

In Table 49, airflow measurements comply with JEDEC standards JESD51-2 and JESD51-6, and the junction-to-board measurement complies with JESD51-8. The junction-to-case measurement complies with MIL-STD-883 (Method 1012.1). All measurements use a 2S2P JEDEC test board.

**Table 49. Thermal Characteristics**

Parameter	Condition	Typical	Unit
$\theta_{JA}$	0 linear m/s air flow		°C/W
$\theta_{JMA}$	1 linear m/s air flow		°C/W
$\theta_{JMA}$	2 linear m/s air flow		°C/W
$\theta_{JB}$			°C/W
$\theta_{JC}$			°C/W
$\Psi_{JT}$	0 linear m/s air flow		°C/W

## 182-BALL MINI-BGA PINOUT

Table 50 lists the mini-BGA pinout by signal mnemonic.

Table 51 on Page 58 lists the mini-BGA pinout by ball number.

Table 50. 182-Ball Mini-BGA Ball Assignment (Alphabetically by Signal Mnemonic)

Mnemonic	Ball no.	Mnemonic	Ball no.	Mnemonic	Ball no.	Mnemonic	Ball no.	Mnemonic	Ball no.
$\overline{ABE0}$	H13	CLKOUT	B14	GND	L6	PG8	E3	$\overline{SRA5}$	D13
$\overline{ABE1}$	H12	DATA0	M9	GND	L8	PG9	E4	$\overline{SWE}$	D12
ADDR1	J14	DATA1	N9	GND	L10	PH0	C2	TCK	P2
ADDR10	M13	DATA10	N6	GND	M4	PH1	C3	TDI	M3
ADDR11	M14	DATA11	P6	GND	M10	PH10	B6	TDO	N3
ADDR12	N14	DATA12	M5	GND	P14	PH11	A2	TMS	N2
ADDR13	N13	DATA13	N5	$\overline{NMI}$	B10	PH12	A3	$\overline{TRST}$	N1
ADDR14	N12	DATA14	P5	PF0	M1	PH13	A4	VDDEXT	A1
ADDR15	M11	DATA15	P4	PF1	L1	PH14	A5	VDDEXT	C12
ADDR16	N11	DATA2	P9	PF10	J2	PH15	A6	VDDEXT	E6
ADDR17	P13	DATA3	M8	PF11	J3	PH2	C4	VDDEXT	E11
ADDR18	P12	DATA4	N8	PF12	H1	PH3	C5	VDDEXT	F4
ADDR19	P11	DATA5	P8	PF13	H2	PH4	C6	VDDEXT	F12
ADDR2	K14	DATA6	M7	PF14	H3	PH5	B1	VDDEXT	H5
ADDR3	L14	DATA7	N7	PF15	H4	PH6	B2	VDDEXT	H10
ADDR4	J13	DATA8	P7	PF2	L2	PH7	B3	VDDEXT	J11
ADDR5	K13	DATA9	M6	PF3	L3	PH8	B4	VDDEXT	J12
ADDR6	L13	$\overline{EMU}$	M2	PF4	L4	PH9	B5	VDDEXT	K7
ADDR7	K12	GND	A10	PF5	K1	PJ0	C7	VDDEXT	K9
ADDR8	L12	GND	A14	PF6	K2	PJ1	B7	VDDEXT	L7
ADDR9	M12	GND	D4	PF7	K3	PJ10	D10	VDDEXT	L9
$\overline{AMS0}$	E14	GND	E7	PF8	K4	PJ11	D11	VDDEXT	L11
$\overline{AMS1}$	F14	GND	E9	PF9	J1	PJ2	B11	VDDEXT	P1
$\overline{AMS2}$	F13	GND	F5	PG0	G1	PJ3	C11	VDDINT	E5
$\overline{AMS3}$	G12	GND	F6	PG1	G2	PJ4	D7	VDDINT	E8
$\overline{AOE}$	G13	GND	F10	PG10	D1	PJ5	D8	VDDINT	E10
ARDY	E13	GND	F11	PG11	D2	PJ6	C8	VDDINT	G10
$\overline{ARE}$	G14	GND	G4	PG12	D3	PJ7	B8	VDDINT	K5
$\overline{AWE}$	H14	GND	G5	PG13	D5	PJ8	D9	VDDINT	K8
$\overline{BG}$	P10	GND	G11	PG14	D6	PJ9	C9	VDDINT	K10
$\overline{BGH}$	N10	GND	H11	PG15	C1	$\overline{RESET}$	C10	VDDRTC	B9
BMODE0	N4	GND	J4	PG2	G3	RTX0	A8	VROUT0	A13
BMODE1	P3	GND	J5	PG3	F1	RTXI	A9	VROUT1	B12
BMODE2	L5	GND	J9	PG4	F2	SA10	E12	XTAL	A11
$\overline{BR}$	D14	GND	J10	PG5	F3	$\overline{SCAS}$	C14		
CLKBUF	A7	GND	K6	PG6	E1	SCKE	B13		
CLKIN	A12	GND	K11	PG7	E2	$\overline{SMS}$	C13		

Table 51 lists the mini-BGA pinout by ball number. Table 50 on Page 57 lists the mini-BGA pinout by signal mnemonic.

**Table 51. 182-Ball Mini-BGA Ball Assignment (Numerically by Ball Number)**

Ball no.	Mnemonic	Ball no.	Mnemonic	Ball no.	Mnemonic	Ball no.	Mnemonic	Ball no.	Mnemonic
A1	VDDEXT	C10	RESET	F5	GND	J14	ADDR1	M9	DATA0
A2	PH11	C11	PJ3	F6	GND	K1	PF5	M10	GND
A3	PH12	C12	VDDEXT	F10	GND	K2	PF6	M11	ADDR15
A4	PH13	C13	SMS	F11	GND	K3	PF7	M12	ADDR9
A5	PH14	C14	SCAS	F12	VDDEXT	K4	PF8	M13	ADDR10
A6	PH15	D1	PG10	F13	AMS2	K5	VDDINT	M14	ADDR11
A7	CLKBUF	D2	PG11	F14	AMS1	K6	GND	N1	TRST
A8	RTXO	D3	PG12	G1	PG0	K7	VDDEXT	N2	TMS
A9	RTXI	D4	GND	G2	PG1	K8	VDDINT	N3	TDO
A10	GND	D5	PG13	G3	PG2	K9	VDDEXT	N4	BMODE0
A11	XTAL	D6	PG14	G4	GND	K10	VDDINT	N5	DATA13
A12	CLKIN	D7	PJ4	G5	GND	K11	GND	N6	DATA10
A13	VROUT0	D8	PJ5	G10	VDDINT	K12	ADDR7	N7	DATA7
A14	GND	D9	PJ8	G11	GND	K13	ADDR5	N8	DATA4
B1	PH5	D10	PJ10	G12	AMS3	K14	ADDR2	N9	DATA1
B2	PH6	D11	PJ11	G13	AOE	L1	PF1	N10	BGH
B3	PH7	D12	SWE	G14	ARE	L2	PF2	N11	ADDR16
B4	PH8	D13	SRA5	H1	PF12	L3	PF3	N12	ADDR14
B5	PH9	D14	BR	H2	PF13	L4	PF4	N13	ADDR13
B6	PH10	E1	PG6	H3	PF14	L5	BMODE2	N14	ADDR12
B7	PJ1	E2	PG7	H4	PF15	L6	GND	P1	VDDEXT
B8	PJ7	E3	PG8	H5	VDDEXT	L7	VDDEXT	P2	TCK
B9	VDDRTC	E4	PG9	H10	VDDEXT	L8	GND	P3	BMODE1
B10	NMI	E5	VDDINT	H11	GND	L9	VDDEXT	P4	DATA15
B11	PJ2	E6	VDDEXT	H12	ABE1	L10	GND	P5	DATA14
B12	VROUT1	E7	GND	H13	ABE0	L11	VDDEXT	P6	DATA11
B13	SCKE	E8	VDDINT	H14	AWE	L12	ADDR8	P7	DATA8
B14	CLKOUT	E9	GND	J1	PF9	L13	ADDR6	P8	DATA5
C1	PG15	E10	VDDINT	J2	PF10	L14	ADDR3	P9	DATA2
C2	PH0	E11	VDDEXT	J3	PF11	M1	PF0	P10	BG
C3	PH1	E12	SA10	J4	GND	M2	EMU	P11	ADDR19
C4	PH2	E13	ARDY	J5	GND	M3	TDI	P12	ADDR18
C5	PH3	E14	AMS0	J9	GND	M4	GND	P13	ADDR17
C6	PH4	F1	PG3	J10	GND	M5	DATA12	P14	GND
C7	PJ0	F2	PG4	J11	VDDEXT	M6	DATA9		
C8	PJ6	F3	PG5	J12	VDDEXT	M7	DATA6		
C9	PJ9	F4	VDDEXT	J13	ADDR4	M8	DATA3		

Figure 49 shows the top view of the mini-BGA ball configuration. Figure 50 shows the bottom view of the mini-BGA ball configuration.

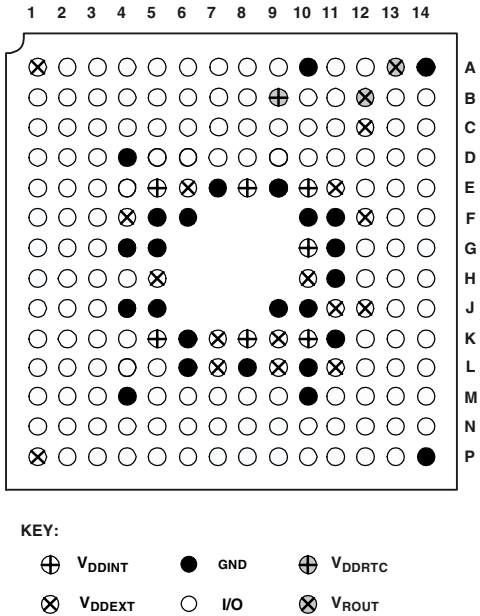


Figure 49. 182-Ball Mini-BGA Ball Configuration (Top View)

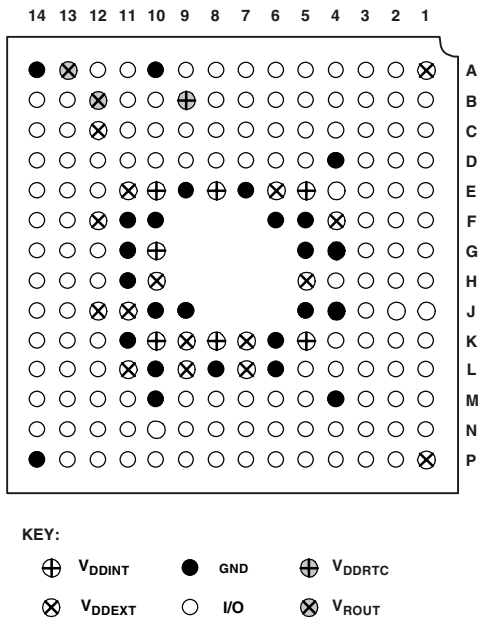


Figure 50. 182-Ball Mini-BGA Ball Configuration (Bottom View)

## 208-BALL SPARSE MINI-BGA PINOUT

Table 52 lists the sparse mini-BGA pinout by signal mnemonic.

Table 53 on Page 61 lists the sparse mini-BGA pinout by ball number.

Table 52. 208-Ball Sparse Mini-BGA Ball Assignment (Alphabetically by Signal Mnemonic)

Mnemonic	Ball no.	Mnemonic	Ball no.	Mnemonic	Ball no.	Mnemonic	Ball no.	Mnemonic	Ball no.
$\overline{ABE0}$	P19	DATA12	Y4	GND	M13	PG6	E2	TDI	V1
$\overline{ABE1}$	P20	DATA13	W4	GND	N9	PG7	D1	TDO	Y2
ADDR1	R19	DATA14	Y3	GND	N10	PG8	D2	TMS	U2
ADDR10	W18	DATA15	W3	GND	N11	PG9	C1	$\overline{TRST}$	U1
ADDR11	Y18	DATA2	Y9	GND	N12	PH0	B4	VDDEXT	G7
ADDR12	W17	DATA3	W9	GND	N13	PH1	A5	VDDEXT	G8
ADDR13	Y17	DATA4	Y8	GND	P11	PH10	B9	VDDEXT	G9
ADDR14	W16	DATA5	W8	GND	V2	PH11	A10	VDDEXT	G10
ADDR15	Y16	DATA6	Y7	GND	W2	PH12	B10	VDDEXT	H7
ADDR16	W15	DATA7	W7	GND	W19	PH13	A11	VDDEXT	H8
ADDR17	Y15	DATA8	Y6	GND	Y1	PH14	B11	VDDEXT	J7
ADDR18	W14	DATA9	W6	GND	Y13	PH15	A12	VDDEXT	J8
ADDR19	Y14	$\overline{EMU}$	T1	GND	Y20	PH2	B5	VDDEXT	K7
ADDR2	T20	GND	A1	$\overline{NMI}$	C20	PH3	A6	VDDEXT	K8
ADDR3	T19	GND	A13	PF0	T2	PH4	B6	VDDEXT	L7
ADDR4	U20	GND	A20	PF1	R1	PH5	A7	VDDEXT	L8
ADDR5	U19	GND	B2	PF10	L2	PH6	B7	VDDEXT	M7
ADDR6	V20	GND	G11	PF11	K1	PH7	A8	VDDEXT	M8
ADDR7	V19	GND	H9	PF12	K2	PH8	B8	VDDEXT	N7
ADDR8	W20	GND	H10	PF13	J1	PH9	A9	VDDEXT	N8
ADDR9	Y19	GND	H11	PF14	J2	PJ0	B12	VDDEXT	P7
$\overline{AMS0}$	M20	GND	H12	PF15	H1	PJ1	B13	VDDEXT	P8
$\overline{AMS1}$	M19	GND	H13	PF2	R2	PJ10	B19	VDDEXT	P9
$\overline{AMS2}$	G20	GND	J9	PF3	P1	PJ11	C19	VDDEXT	P10
$\overline{AMS3}$	G19	GND	J10	PF4	P2	PJ2	D19	VDDINT	G12
$\overline{AOE}$	N20	GND	J11	PF5	N1	PJ3	E19	VDDINT	G13
ARDY	J19	GND	J12	PF6	N2	PJ4	B18	VDDINT	G14
$\overline{ARE}$	N19	GND	J13	PF7	M1	PJ5	A19	VDDINT	H14
$\overline{AWE}$	R20	GND	K9	PF8	M2	PJ6	B15	VDDINT	J14
$\overline{BG}$	Y11	GND	K10	PF9	L1	PJ7	B16	VDDINT	K14
$\overline{BGH}$	Y12	GND	K11	PG0	H2	PJ8	B17	VDDINT	L14
BMODE0	W13	GND	K12	PG1	G1	PJ9	B20	VDDINT	M14
BMODE1	W12	GND	K13	PG10	C2	$\overline{RESET}$	D20	VDDINT	N14
BMODE2	W11	GND	L9	PG11	B1	RTXO	A15	VDDINT	P12
$\overline{BR}$	F19	GND	L10	PG12	A2	RTXI	A14	VDDINT	P13
CLKBUF	B14	GND	L11	PG13	A3	SA10	L20	VDDINT	P14
CLKIN	A18	GND	L12	PG14	B3	$\overline{SCAS}$	K20	VDDRTC	A16
CLKOUT	H19	GND	L13	PG15	A4	SCKE	H20	VROUT0	E20
DATA0	Y10	GND	M9	PG2	G2	$\overline{SMS}$	J20	VROUT1	F20
DATA1	W10	GND	M10	PG3	F1	$\overline{SRAS}$	K19	XTAL	A17
DATA10	Y5	GND	M11	PG4	F2	$\overline{SWE}$	L19		
DATA11	W5	GND	M12	PG5	E1	TCK	W1		

Table 53 lists the sparse mini-BGA pinout by ball number.  
 Table 52 on Page 60 lists the sparse mini-BGA pinout by signal mnemonic.

Table 53. 208-Ball Sparse Mini-BGA Ball Assignment (Numerically by Ball Number)

Ball no.	Mnemonic	Ball no.	Mnemonic	Ball no.	Mnemonic	Ball no.	Mnemonic	Ball no.	Mnemonic
A1	GND	C19	PJ11	J9	GND	M19	$\overline{\text{AMS1}}$	W1	TCK
A2	PG12	C20	$\overline{\text{NMI}}$	J10	GND	M20	$\overline{\text{AMS0}}$	W2	GND
A3	PG13	D1	PG7	J11	GND	N1	PF5	W3	DATA15
A4	PG15	D2	PG8	J12	GND	N2	PF6	W4	DATA13
A5	PH1	D19	PJ2	J13	GND	N7	VDDEXT	W5	DATA11
A6	PH3	D20	$\overline{\text{RESET}}$	J14	VDDINT	N8	VDDEXT	W6	DATA9
A7	PH5	E1	PG5	J19	ARDY	N9	GND	W7	DATA7
A8	PH7	E2	PG6	J20	$\overline{\text{SMS}}$	N10	GND	W8	DATA5
A9	PH9	E19	PJ3	K1	PF11	N11	GND	W9	DATA3
A10	PH11	E20	VROUT0	K2	PF12	N12	GND	W10	DATA1
A11	PH13	F1	PG3	K7	VDDEXT	N13	GND	W11	BMODE2
A12	PH15	F2	PG4	K8	VDDEXT	N14	VDDINT	W12	BMODE1
A13	GND	F19	$\overline{\text{BR}}$	K9	GND	N19	$\overline{\text{ARE}}$	W13	BMODE0
A14	RTXI	F20	VROUT1	K10	GND	N20	$\overline{\text{AOE}}$	W14	ADDR18
A15	RTXO	G1	PG1	K11	GND	P1	PF3	W15	ADDR16
A16	VDDRTC	G2	PG2	K12	GND	P2	PF4	W16	ADDR14
A17	XTAL	G7	VDDEXT	K13	GND	P7	VDDEXT	W17	ADDR12
A18	CLKIN	G8	VDDEXT	K14	VDDINT	P8	VDDEXT	W18	ADDR10
A19	PJ5	G9	VDDEXT	K19	$\overline{\text{SRAS}}$	P9	VDDEXT	W19	GND
A20	GND	G10	VDDEXT	K20	$\overline{\text{SCAS}}$	P10	VDDEXT	W20	ADDR8
B1	PG11	G11	GND	L1	PF9	P11	GND	Y1	GND
B2	GND	G12	VDDINT	L2	PF10	P12	VDDINT	Y2	TDO
B3	PG14	G13	VDDINT	L7	VDDEXT	P13	VDDINT	Y3	DATA14
B4	PH0	G14	VDDINT	L8	VDDEXT	P14	VDDINT	Y4	DATA12
B5	PH2	G19	$\overline{\text{AMS3}}$	L9	GND	P19	$\overline{\text{ABE0}}$	Y5	DATA10
B6	PH4	G20	$\overline{\text{AMS2}}$	L10	GND	P20	$\overline{\text{ABE1}}$	Y6	DATA8
B7	PH6	H1	PF15	L11	GND	R1	PF1	Y7	DATA6
B8	PH8	H2	PG0	L12	GND	R2	PF2	Y8	DATA4
B9	PH10	H7	VDDEXT	L13	GND	R19	ADDR1	Y9	DATA2
B10	PH12	H8	VDDEXT	L14	VDDINT	R20	$\overline{\text{AWE}}$	Y10	DATA0
B11	PH14	H9	GND	L19	$\overline{\text{SWE}}$	T1	$\overline{\text{EMU}}$	Y11	$\overline{\text{BG}}$
B12	PJ0	H10	GND	L20	SA10	T2	PF0	Y12	$\overline{\text{BGH}}$
B13	PJ1	H11	GND	M1	PF7	T19	ADDR3	Y13	GND
B14	CLKBUF	H12	GND	M2	PF8	T20	ADDR2	Y14	ADDR19
B15	PJ6	H13	GND	M7	VDDEXT	U1	$\overline{\text{TRST}}$	Y15	ADDR17
B16	PJ7	H14	VDDINT	M8	VDDEXT	U2	TMS	Y16	ADDR15
B17	PJ8	H19	CLKOUT	M9	GND	U19	ADDR5	Y17	ADDR13
B18	PJ4	H20	SCKE	M10	GND	U20	ADDR4	Y18	ADDR11
B19	PJ10	J1	PF13	M11	GND	V1	TDI	Y19	ADDR9
B20	PJ9	J2	PF14	M12	GND	V2	GND	Y20	GND
C1	PG9	J7	VDDEXT	M13	GND	V19	ADDR7		
C2	PG10	J8	VDDEXT	M14	VDDINT	V20	ADDR6		



Figure 51 shows the top view of the sparse mini-BGA ball configuration. Figure 52 shows the bottom view of the sparse mini-BGA ball configuration.

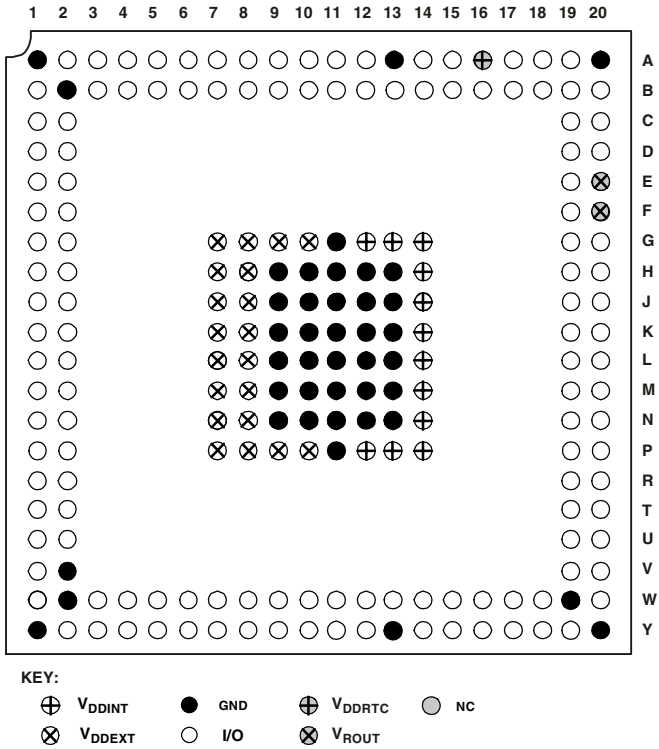


Figure 51. 208-Ball Mini-BGA Ball Configuration (Top View)

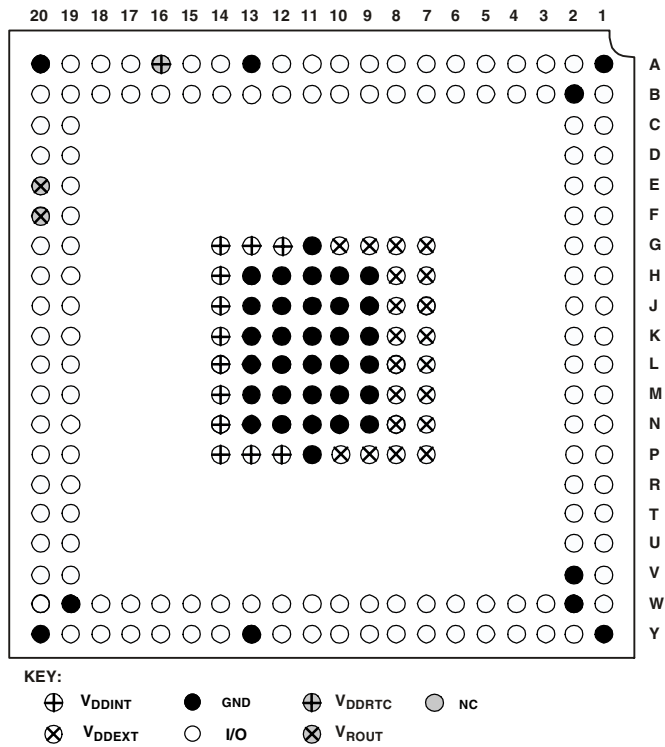


Figure 52. 208-Ball Mini-BGA Ball Configuration (Bottom View)

## OUTLINE DIMENSIONS

Dimensions in Figure 53—182-Ball Mini-BGA and Figure 54—208-Ball Sparse Mini-BGA are shown in millimeters.

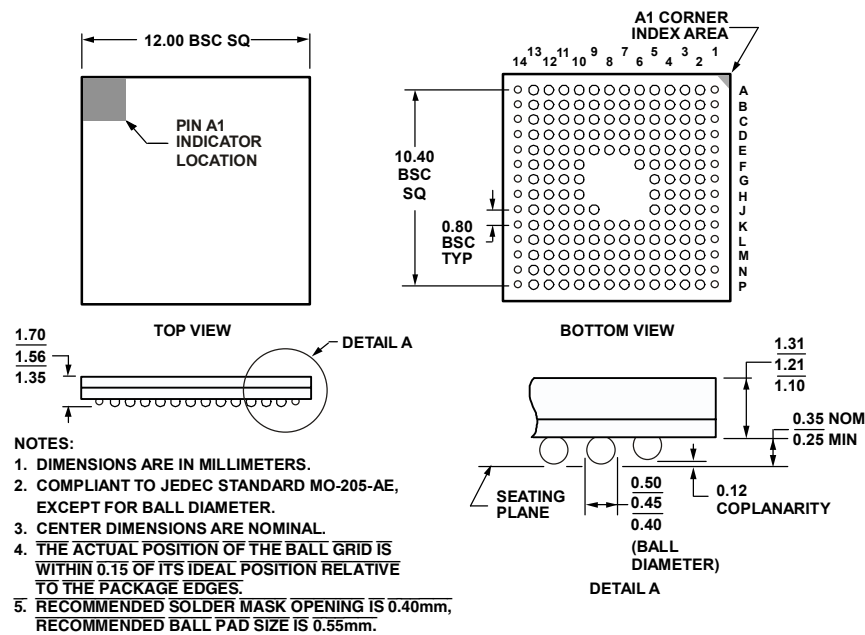


Figure 53. 182-Ball Mini-BGA

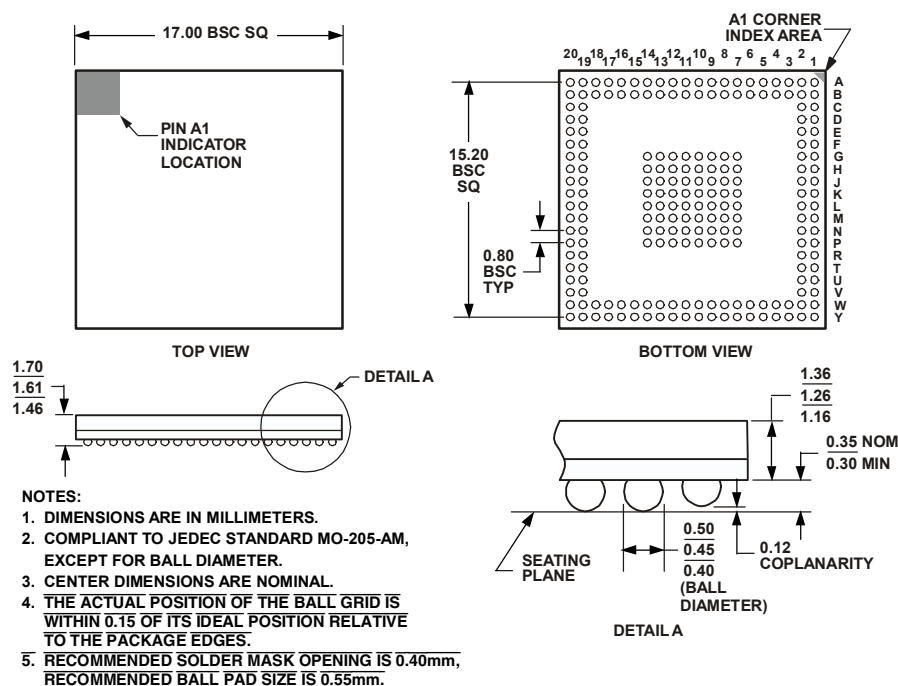


Figure 54. 208-Ball Sparse Mini-BGA

## ORDERING GUIDE

Part numbers that include “A1” are 182-Ball mini-BGA. Part numbers that include “B1” are 208-Ball Sparse mini-BGA. Part numbers that include “Z” are lead free. See [Figure 9 on Page 25](#) for more information about product information on the package.

Part Number	Temperature Range (Ambient)	Speed Grade (Max)	Operating Voltage (Nominal)
ADSP-BF536BBC-3A1	-40°C to 85°C	300 MHz	1.2 V internal, 2.5 V or 3.3 V I/O
ADSP-BF536BBCZ-3A1	-40°C to 85°C	300 MHz	1.2 V internal, 2.5 V or 3.3 V I/O
ADSP-BF536BBCZ-3B1	-40°C to 85°C	300 MHz	1.2 V internal, 2.5 V or 3.3 V I/O
ADSP-BF536BBC-4A1	-40°C to 85°C	400 MHz	1.2 V internal, 2.5 V or 3.3 V I/O
ADSP-BF536BBCZ-4A1	-40°C to 85°C	400 MHz	1.2 V internal, 2.5 V or 3.3 V I/O
ADSP-BF536BBCZ-4B1	-40°C to 85°C	400 MHz	1.2 V internal, 2.5 V or 3.3 V I/O
ADSP-BF537BBC-5A1	-40°C to 85°C	500 MHz	1.26 V internal, 2.5 V or 3.3 V I/O
ADSP-BF537BBCZ-5A1	-40°C to 85°C	500 MHz	1.26 V internal, 2.5 V or 3.3 V I/O
ADSP-BF537BBCZ-5B1	-40°C to 85°C	500 MHz	1.26 V internal, 2.5 V or 3.3 V I/O
ADSP-BF537KBC-6A1	0°C to 70°C	600 MHz	1.26 V internal, 2.5 V or 3.3 V I/O
ADSP-BF537KBCZ-6A1	0°C to 70°C	600 MHz	1.26 V internal, 2.5 V or 3.3 V I/O
ADSP-BF537KBCZ-6B1	0°C to 70°C	600 MHz	1.26 V internal, 2.5 V or 3.3 V I/O



中发网 WWW.ZFA.CN

全球最大的PDF中文下载站



**中发网**  
www.zfa.cn

**PDF 资料下载尽在中发网**