



# 32-Channel, 14-Bit, Parallel and Serial Input, Bipolar Voltage Output DAC

## AD5378

### FEATURES

- 32-channel DAC in 13 mm × 13 mm 108-lead CSPBGA
- Guaranteed monotonic to 14 bits
- Buffered voltage outputs
- Output voltage span of  $3.5 V \times V_{REF(+)}$
- Maximum output voltage span of 17.5 V
- System calibration function allowing user-programmable offset and gain
- Pseudo differential outputs relative to REFGND
- Clear function to user-defined REFGND (CLR pin)
- Simultaneous update of DAC outputs (LDAC pin)
- DAC increment/decrement mode
- Channel grouping and addressing features

### Interface options

- Parallel interface
- DSP/microcontroller-compatible 3-wire serial interface
- 2.5 V to 5.5 V JEDEC-compliant digital levels
- SDO daisy-chaining option
- Power-on reset
- Digital reset (RESET pin and soft reset function)

### APPLICATIONS

- Level setting in automatic test equipment (ATE)
- Variable optical attenuators (VOAs)
- Optical switches
- Industrial control systems

### FUNCTIONAL BLOCK DIAGRAM

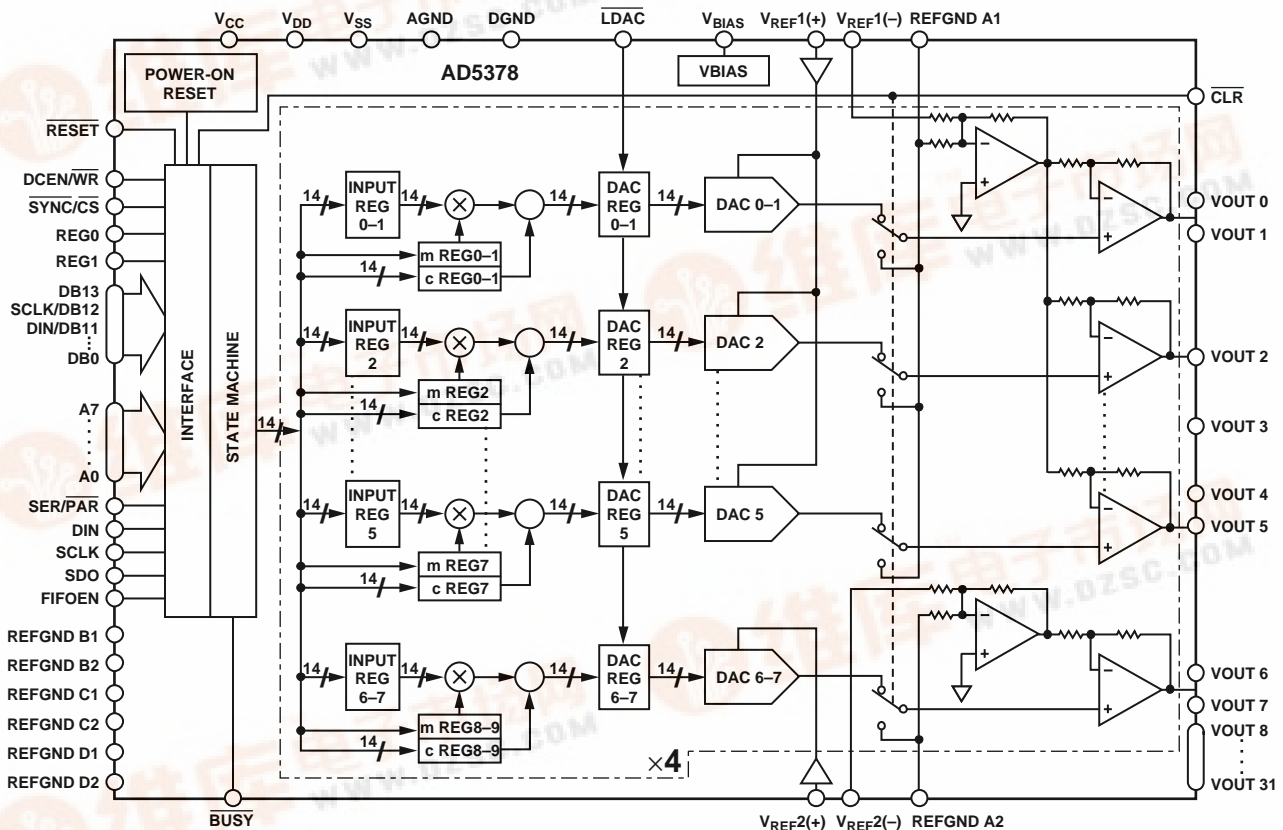


Figure 1.

Protected by U.S. Patent No. 5,969,657 and 6,823,416; other patents pending.



Information furnished by Analog Devices is believed to be accurate and reliable. However, no responsibility is assumed by Analog Devices for its use, nor for any infringements of patents or other rights of third parties that may result from its use. Specifications subject to change without notice. No license is granted by implication or otherwise under any patent or patent rights of Analog Devices. Trademarks and registered trademarks are the property of their respective owners.

One Technology Way, P.O. Box 9106, Norwood, MA 02062-9106, U.S.A.  
 Tel: 781.329.4700  
 Fax: 781.461.3113  
[www.analog.com](http://www.analog.com)  
 © 2005 Analog Devices, Inc. All rights reserved.

## TABLE OF CONTENTS

General Description .....	3	Clear Function .....	20
Specifications.....	4	$\overline{\text{BUSY}}$ and $\overline{\text{LDAC}}$ Functions.....	20
AC Characteristics.....	5	FIFO vs. Non-FIFO Operation.....	21
Timing Characteristics.....	6	$\overline{\text{BUSY}}$ Input Function .....	21
Serial Interface .....	6	Power-On Reset Function .....	21
Parallel Interface .....	9	$\overline{\text{RESET}}$ Input Function .....	21
Absolute Maximum Ratings.....	11	Increment/Decrement Function .....	21
ESD Caution.....	11	Interfaces.....	22
Pin Configuration and Function Descriptions.....	12	Parallel Interface.....	22
Typical Performance Characteristics .....	15	Serial Interface .....	22
Terminology .....	17	Data Decoding.....	24
Functional Description .....	18	Address Decoding .....	25
DAC Architecture—General.....	18	Power Supply Decoupling .....	26
Channel Groups.....	18	Power-On .....	26
Transfer Function .....	18	Typical Application Circuit .....	27
$V_{\text{BIAS}}$ Function .....	19	Outline Dimensions .....	28
Reference Selection .....	19	Ordering Guide .....	28
Calibration.....	20		

## REVISION HISTORY

4/05—Revision 0: Initial Version

## GENERAL DESCRIPTION

The AD5378 contains 32 14-bit DACs in one CSPBGA package. The AD5378 provides a bipolar output range determined by the voltages applied to the  $V_{REF(+)}$  and  $V_{REF(-)}$  inputs. The maximum output voltage span is 17.5 V, corresponding to a bipolar output range of  $-8.75$  V to  $+8.75$  V, and is achieved with reference voltages of  $V_{REF(-)} = -3.5$  V and  $V_{REF(+)} = +5$  V.

The AD5378 guarantees operation over a wide  $V_{SS}/V_{DD}$  supply range from  $\pm 11.4$  V to  $\pm 16.5$  V. The output amplifier headroom requirement is 2.5 V operating with a load current of 1.5 mA, and 2 V operating with a load current of 0.5 mA.

The AD5378 contains a double-buffered parallel interface in which 14 data bits are loaded into one of the input registers under the control of the  $\overline{WR}$ ,  $\overline{CS}$ , and DAC channel address pins, A0 to A7. It also has a 3-wire serial interface, which is compatible with SPI®, QSPI™, MICROWIRE™, and DSP interface standards and can handle clock speeds of up to 50 MHz.

The DAC outputs are updated when the DAC registers receive new data. All the outputs can be updated simultaneously by taking the  $\overline{LDAC}$  input low. Each channel has a programmable gain and an offset adjust register.

Each DAC output is gained and buffered on-chip with respect to an external REFGND input. The DAC outputs can also be switched to REFGND via the  $\overline{CLR}$  pin. Table 1 and Table 2 show the product portfolio for high channel count bipolar and unipolar voltage output DACs.

**Table 1. 40-Channel, Bipolar, Voltage Output DAC**

Model	Resolution	Analog Supplies	Output Channels	Linearity Error (LSB)	Package Description	Package Option
AD5379ABC	14 Bits	$\pm 11.4$ V to $\pm 16.5$ V	40	$\pm 3$	108-Lead CSPBGA	BC-108

**Table 2. High Channel Count, Low Voltage, Single-Supply DACs**

Model	Resolution	$A_{VDD}$ Range	Output Channels	Linearity Error (LSB)	Package Description	Package Option
AD5380BST-5	14 Bits	4.5 V to 5.5 V	40	$\pm 4$	100-Lead LQFP	ST-100
AD5380BST-3	14 Bits	2.7 V to 3.6 V	40	$\pm 4$	100-Lead LQFP	ST-100
AD5381BST-5	12 Bits	4.5 V to 5.5 V	40	$\pm 1$	100-Lead LQFP	ST-100
AD5381BST-3	12 Bits	2.7 V to 3.6 V	40	$\pm 1$	100-Lead LQFP	ST-100
AD5384BBC-5	14 Bits	4.5 V to 5.5 V	40	$\pm 4$	100-Lead CSPBGA	BC-100
AD5384BBC-3	14 Bits	2.7 V to 3.6 V	40	$\pm 4$	100-Lead CSPBGA	BC-100
AD5382BST-5	14 Bits	4.5 V to 5.5 V	32	$\pm 4$	100-Lead LQFP	ST-100
AD5382BST-3	14 Bits	2.7 V to 3.6 V	32	$\pm 4$	100-Lead LQFP	ST-100
AD5383BST-5	12 Bits	4.5 V to 5.5 V	32	$\pm 1$	100-Lead LQFP	ST-100
AD5383BST-3	12 Bits	2.7 V to 3.6 V	32	$\pm 1$	100-Lead LQFP	ST-100
AD5390BST-5	14 Bits	4.5 V to 5.5 V	16	$\pm 3$	52-Lead LQFP	ST-52
AD5390BCP-5	14 Bits	4.5 V to 5.5 V	16	$\pm 3$	64-Lead LFCSFP	CP-64
AD5390BST-3	14 Bits	2.7 V to 3.6 V	16	$\pm 4$	52-Lead LQFP	ST-52
AD5390BCP-3	14 Bits	2.7 V to 3.6 V	16	$\pm 4$	64-Lead LFCSFP	CP-64
AD5391BST-5	12 Bits	4.5 V to 5.5 V	16	$\pm 1$	52-Lead LQFP	ST-52
AD5391BCP-5	12 Bits	4.5 V to 5.5 V	16	$\pm 1$	64-Lead LFCSFP	CP-64
AD5391BST-3	12 Bits	2.7 V to 3.6 V	16	$\pm 1$	52-Lead LQFP	ST-52
AD5391BCP-3	12 Bits	2.7 V to 3.6 V	16	$\pm 1$	64-Lead LFCSFP	CP-64
AD5392BST-5	14 Bits	4.5 V to 5.5 V	8	$\pm 3$	52-Lead LQFP	ST-52
AD5392BCP-5	14 Bits	4.5 V to 5.5 V	8	$\pm 3$	64-Lead LFCSFP	CP-64
AD5392BST-3	14 Bits	2.7 V to 3.6 V	8	$\pm 4$	52-Lead LQFP	ST-52
AD5392BCP-3	14 Bits	2.7 V to 3.6 V	8	$\pm 4$	64-Lead LFCSFP	CP-64

# AD5378

## SPECIFICATIONS

$V_{CC} = 2.7\text{ V to }5.5\text{ V}$ ;  $V_{DD} = 11.4\text{ V to }16.5\text{ V}$ ;  $V_{SS} = -11.4\text{ V to }-16.5\text{ V}$ ;  $V_{REF(+)} = +5\text{ V}$ ;  $V_{REF(-)} = -3.5\text{ V}$ ;  $AGND = DGND = REFGND = 0\text{ V}$ ;  $V_{BIAS} = 5\text{ V}$ ;  $C_L = 200\text{ pF to GND}$ ;  $R_L = 11\text{ k}\Omega\text{ to }3\text{ V}$ ;  $\text{gain} = 1$ ;  $\text{offset} = 0\text{ V}$ ; all specifications  $T_{MIN}$  to  $T_{MAX}$ , unless otherwise noted.

Table 3.

Parameter	A Version <sup>1</sup>	Unit	Test Conditions/Comments
<b>ACCURACY</b>			
Resolution	14	Bits	
Relative Accuracy	$\pm 3$	LSB max	$-40^\circ\text{C to }+85^\circ\text{C}$
	$\pm 2.5$	LSB max	$0^\circ\text{C to }70^\circ\text{C}$
Differential Nonlinearity	$-1/+1.5$	LSB max	Guaranteed monotonic by design over temperature
Zero-Scale Error	$\pm 12$	mV max	$-40^\circ\text{C to }+85^\circ\text{C}$
	$\pm 5$	mV max	$0^\circ\text{C to }70^\circ\text{C}$
Full-Scale Error	$\pm 12$	mV max	$-40^\circ\text{C to }+85^\circ\text{C}$
	$\pm 8$	mV max	$0^\circ\text{C to }70^\circ\text{C}$
Gain Error	$\pm 8$	mV max	$-40^\circ\text{C to }+85^\circ\text{C}$
	$\pm 1/\pm 5$	mV typ/max	$0^\circ\text{C to }70^\circ\text{C}$
VOUT Temperature Coefficient	5	ppm FSR/ $^\circ\text{C}$ typ	Includes linearity, offset, and gain drift; see Figure 11
DC Crosstalk <sup>2</sup>	0.5	mV max	Typically $100\ \mu\text{V}$
<b>REFERENCE INPUTS<sup>2</sup></b>			
$V_{REF(+)}$ DC Input Impedance	1	M $\Omega$ min	Typically $100\ \text{M}\Omega$
$V_{REF(-)}$ DC Input Impedance	8	k $\Omega$ min	Typically $12\ \text{k}\Omega$
$V_{REF(+)}$ Input Current	$\pm 10$	$\mu\text{A}$ max	Per input; typically $\pm 30\ \text{nA}$
$V_{REF(+)}$ Range	1.5/5	V min/max	$\pm 2\%$ for specified operation
$V_{REF(-)}$ Range	$-3.5/0$	V min/max	$\pm 2\%$ for specified operation
<b>REFGND INPUTS<sup>2</sup></b>			
DC Input Impedance	80	k $\Omega$ min	Typically $120\ \text{k}\Omega$
Input Range	$\pm 0.5$	V min/max	
<b>OUTPUT CHARACTERISTICS<sup>2</sup></b>			
Output Voltage Range	$V_{SS} + 2/V_{SS} + 2.5$ $V_{DD} - 2/V_{DD} - 2.5$	V min V max	$I_{LOAD} = \pm 0.5\ \text{mA}/\pm 1.5\ \text{mA}$ $I_{LOAD} = \pm 0.5\ \text{mA}/\pm 1.5\ \text{mA}$
Short-Circuit Current	15	mA max	
Load Current	$\pm 1.5$	mA max	
Capacitive Load	2200	pF max	
DC Output Impedance	1	$\Omega$ max	
<b>DIGITAL INPUTS</b>			
Input High Voltage	1.7 2.0	V min V min	JEDEC-compliant $V_{CC} = 2.7\ \text{V to }3.6\ \text{V}$ $V_{CC} = 3.6\ \text{V to }5.5\ \text{V}$
Input Low Voltage	0.8	V max	$V_{CC} = 2.7\ \text{V to }5.5\ \text{V}$
Input Current (with pull-up/pull-down)	$\pm 8$	$\mu\text{A}$ max	SER/ $\overline{\text{PAR}}$ , FIFOEN, and $\overline{\text{RESET}}$ pins only
Input Current (no pull-up/pull-down)	$\pm 1$	$\mu\text{A}$ max	All other digital input pins
Input Capacitance <sup>2</sup>	10	pF max	
<b>DIGITAL OUTPUTS (BUSY, SDO)</b>			
Output Low Voltage	0.5	V max	Sinking $200\ \mu\text{A}$
Output High Voltage (SDO)	$V_{CC} - 0.5$	V min	Sourcing $200\ \mu\text{A}$
High Impedance Leakage Current	$-70$	$\mu\text{A}$ max	SDO only
High Impedance Output Capacitance <sup>2</sup>	10	pF typ	

Parameter	A Version <sup>1</sup>	Unit	Test Conditions/Comments
<b>POWER REQUIREMENTS</b>			
V <sub>CC</sub>	2.7/5.5	V min/max	
V <sub>DD</sub>	8.5/16.5	V min/max	
V <sub>SS</sub>	-3/-16.5	V min/max	
Power Supply Sensitivity <sup>2</sup>			
Δ Full Scale/Δ V <sub>DD</sub>	-75	dB typ	
Δ Full Scale/Δ V <sub>SS</sub>	-75	dB typ	
Δ Full Scale/Δ V <sub>CC</sub>	-90	dB typ	
I <sub>CC</sub>	5	mA max	V <sub>CC</sub> = 5.5 V, V <sub>IH</sub> = V <sub>CC</sub> , V <sub>IL</sub> = GND
I <sub>DD</sub>	28	mA max	Outputs unloaded; typically 20 mA
I <sub>SS</sub>	23	mA max	Outputs unloaded; typically 15 mA
Power Dissipation			
Power Dissipation Unloaded (P)	850	mW max	V <sub>DD</sub> = 16.5 V, V <sub>SS</sub> = -16.5 V
Power Dissipation Loaded (P <sub>TOTAL</sub> )	2000	mW max	P <sub>TOTAL</sub> = P + Σ(V <sub>DD</sub> - V <sub>O</sub> ) × I <sub>SOURCE</sub> + Σ(V <sub>O</sub> - V <sub>SS</sub> ) × I <sub>SINK</sub>
Junction Temperature	130	°C max	T <sub>J</sub> = T <sub>A</sub> + P <sub>TOTAL</sub> × θ <sub>J</sub> <sup>3</sup>

<sup>1</sup> Temperature range for the A version: -40°C to +85°C. Typical specifications are at 25°C.

<sup>2</sup> Guaranteed by design and characterization; not production tested.

<sup>3</sup> Where θ<sub>J</sub> represents the package thermal impedance.

## AC CHARACTERISTICS

V<sub>CC</sub> = 2.7 V to 5.5 V; V<sub>DD</sub> = 11.4 V to 16.5 V; V<sub>SS</sub> = -11.4 V to -16.5 V; V<sub>REF(+)</sub> = +5 V; V<sub>REF(-)</sub> = -3.5 V;  
 AGND = DGND = REFGND = 0 V; V<sub>BIAS</sub> = 5 V; C<sub>L</sub> = 220 pF; R<sub>L</sub> = 11 kΩ to 3 V; gain = 1; offset = 0 V.

**Table 4.**

Parameter	A Version <sup>1</sup>	Unit	Test Conditions/Comments
<b>DYNAMIC PERFORMANCE</b>			
Output Voltage Settling Time	20	μs typ	Full-scale change to ±1/2 LSB DAC latch contents alternately loaded with all 0s and all 1s
	30	μs max	
Slew Rate	1	V/μs typ	
Digital-to-Analog Glitch Energy	20	nV-s typ	
Glitch Impulse Peak Amplitude	15	mV max	
Channel-to-Channel Isolation	100	dB typ	V <sub>REF(+)</sub> = 2 V p-p, (1 V <sub>BIAS</sub> ) 1 kHz, V <sub>REF(-)</sub> = -1 V
DAC-to-DAC Crosstalk	40	nV-s typ	See the Terminology section; between DACs inside a group
	10	nV-s typ	Between DACs from different groups
Digital Crosstalk	0.1	nV-s typ	
Digital Feedthrough	1	nV-s typ	Effect of input bus activity on DAC output under test
Output Noise Spectral Density @ 1 kHz	350	nV/(Hz) <sup>1/2</sup> typ	V <sub>REF(+)</sub> = V <sub>REF(-)</sub> = 0 V

<sup>1</sup> Guaranteed by design and characterization; not production tested.

# AD5378

## TIMING CHARACTERISTICS

### SERIAL INTERFACE

$V_{CC} = 2.7\text{ V to }5.5\text{ V}$ ;  $V_{DD} = 11.4\text{ V to }16.5\text{ V}$ ;  $V_{SS} = -11.4\text{ V to }-16.5\text{ V}$ ;  $V_{REF(+)} = +5\text{ V}$ ;  $V_{REF(-)} = -3.5\text{ V}$ ;  
 $AGND = DGND = REFGND = 0\text{ V}$ ;  $V_{BIAS} = 5\text{ V}$ ,  $FIFOEN = 0\text{ V}$ ; all specifications  $T_{MIN}$  to  $T_{MAX}$ , unless otherwise noted.

Table 5.

Parameter <sup>1,2,3</sup>	Limit at $T_{MIN}$ , $T_{MAX}$	Unit	Description
$t_1$	20	ns min	SCLK Cycle Time.
$t_2$	8	ns min	SCLK High Time.
$t_3$	8	ns min	SCLK Low Time.
$t_4$	10	ns min	$\overline{\text{SYNC}}$ Falling Edge to SCLK Falling Edge Setup Time.
$t_5^4$	15	ns min	24th SCLK Falling Edge to $\overline{\text{SYNC}}$ Falling Edge.
$t_6^4$	25	ns min	Minimum $\overline{\text{SYNC}}$ Low Time.
$t_7$	10	ns min	Minimum $\overline{\text{SYNC}}$ High Time.
$t_8$	5	ns min	Data Setup Time.
$t_9$	4.5	ns min	Data Hold Time.
$t_{10}^{4,5}$	30	ns max	24th SCLK Falling Edge to $\overline{\text{BUSY}}$ Falling Edge.
$t_{11}$	330	ns max	$\overline{\text{BUSY}}$ Pulse Width Low (Single-Channel Update). See Table 11.
$t_{12}^4$	20	ns min	24th SCLK Falling Edge to $\overline{\text{LDAC}}$ Falling Edge.
$t_{13}$	20	ns min	$\overline{\text{LDAC}}$ Pulse Width Low.
$t_{14}$	150	ns typ	$\overline{\text{BUSY}}$ Rising Edge to DAC Output Response Time.
$t_{15}$	0	ns min	$\overline{\text{BUSY}}$ Rising Edge to $\overline{\text{LDAC}}$ Falling Edge.
$t_{16}$	100	ns min	$\overline{\text{LDAC}}$ Falling Edge to DAC Output Response Time.
$t_{17}$	20/30	$\mu\text{s typ/max}$	DAC Output Settling Time.
$t_{18}$	10	ns min	$\overline{\text{CLR}}$ Pulse Width Low.
$t_{19}$	350	ns max	$\overline{\text{CLR/RESET}}$ Pulse Activation Time.
$t_{20}^{6,7}$	25	ns max	SCLK Rising Edge to SDO Valid.
$t_{21}^7$	5	ns min	SCLK Falling Edge to $\overline{\text{SYNC}}$ Rising Edge.
$t_{22}^7$	5	ns min	$\overline{\text{SYNC}}$ Rising Edge to SCLK Rising Edge.
$t_{23}^7$	20	ns min	$\overline{\text{SYNC}}$ Rising Edge to $\overline{\text{LDAC}}$ Falling Edge.
$t_{24}^5$	30	ns min	$\overline{\text{SYNC}}$ Rising Edge to $\overline{\text{BUSY}}$ Falling Edge.
$t_{25}$	10	ns min	$\overline{\text{RESET}}$ Pulse Width Low.
$t_{26}$	120	$\mu\text{s max}$	$\overline{\text{RESET}}$ Time Indicated by $\overline{\text{BUSY}}$ Low.

<sup>1</sup> Guaranteed by design and characterization; not production tested.

<sup>2</sup> All input signals are specified with  $t_r = t_f = 2\text{ ns}$  (10% to 90% of  $V_{CC}$ ) and timed from a voltage level of 1.2 V.

<sup>3</sup> See Figure 4 and Figure 5.

<sup>4</sup> Standalone mode only.

<sup>5</sup> This is measured with the load circuit of Figure 2.

<sup>6</sup> This is measured with the load circuit of Figure 3.

<sup>7</sup> Daisy-chain mode only.

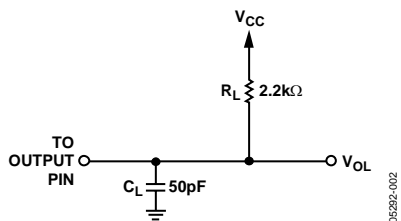


Figure 2. Load Circuit for  $\overline{\text{BUSY}}$  Timing Diagram

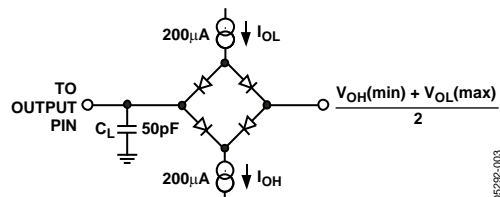
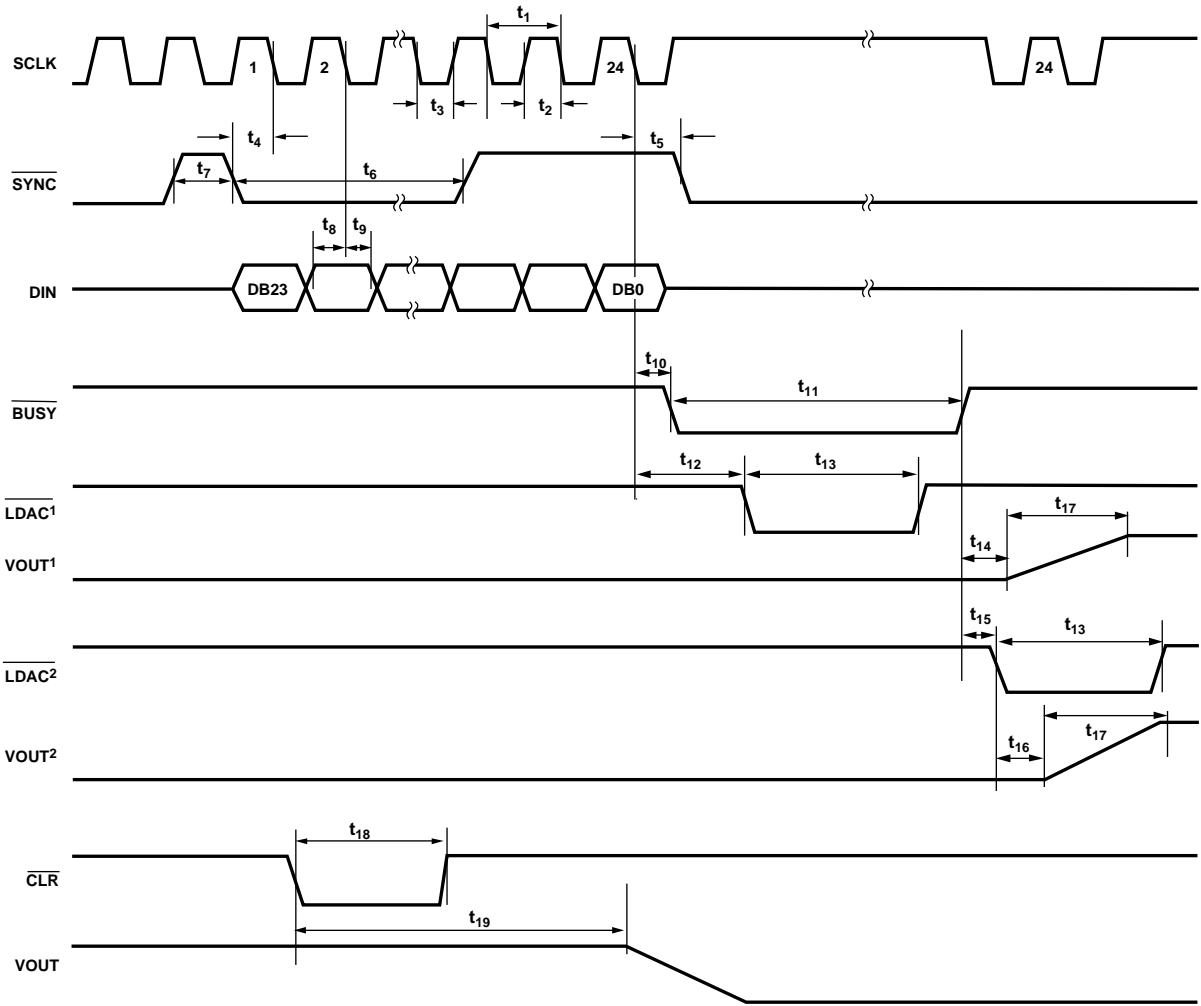


Figure 3. Load Circuit for SDO Timing Diagram (Serial Interface, Daisy-Chain Mode)



<sup>1</sup>LDAC ACTIVE DURING BUSY.  
<sup>2</sup>LDAC ACTIVE AFTER BUSY.

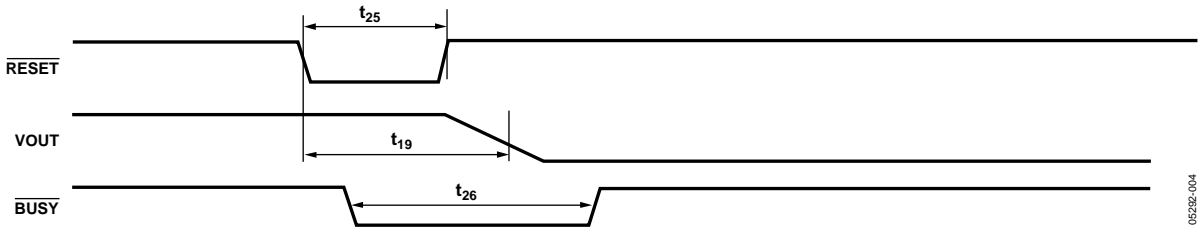


Figure 4. Serial Interface Timing Diagram (Standalone Mode)

05292-004

# AD5378

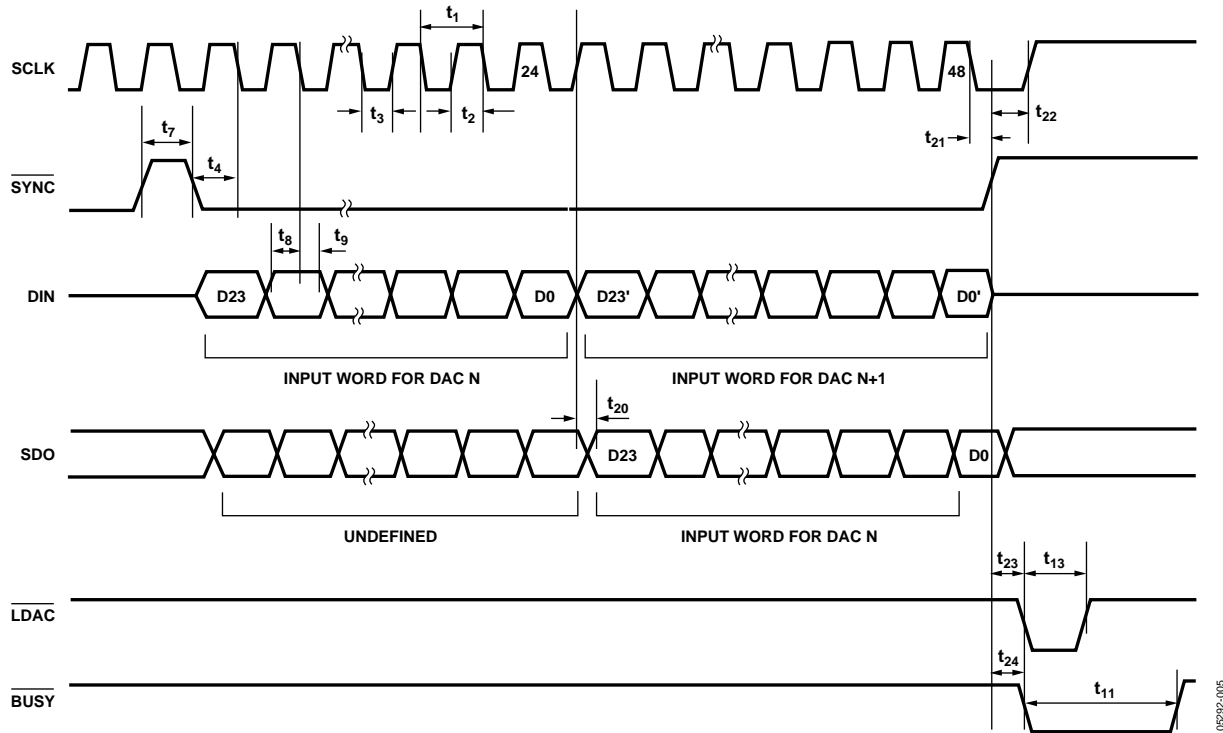


Figure 5. Serial Interface Timing Diagram (Daisy-Chain Mode)

06282E-005



## PARALLEL INTERFACE

$V_{CC} = 2.7\text{ V to }5.5\text{ V}$ ;  $V_{DD} = 11.4\text{ V to }16.5\text{ V}$ ;  $V_{SS} = -11.4\text{ V to }-16.5\text{ V}$ ;  $AGND = DGND = DUTGND = 0\text{ V}$ ;  $V_{REF(+)} = +5\text{ V}$ ;  $V_{REF(-)} = -3.5\text{ V}$ ,  $FIFOEN = 0\text{ V}$ ; all specifications  $T_{MIN}$  to  $T_{MAX}$ , unless otherwise noted.

**Table 6.**

Parameter <sup>1,2,3</sup>	Limit at $T_{MIN}$ to $T_{MAX}$	Unit	Description
$t_0$	4.5	ns min	REG0, REG1, Address to $\overline{WR}$ Rising Edge Setup Time.
$t_1$	4.5	ns min	REG0, REG1, Address to $\overline{WR}$ Rising Edge Hold Time.
$t_2$	10	ns min	$\overline{CS}$ Pulse Width Low.
$t_3$	10	ns min	$\overline{WR}$ Pulse Width Low.
$t_4$	0	ns min	$\overline{CS}$ to $\overline{WR}$ Falling Edge Setup Time.
$t_5$	0	ns min	$\overline{WR}$ to $\overline{CS}$ Rising Edge Hold Time.
$t_6$	4.5	ns min	Data to $\overline{WR}$ Rising Edge Setup Time.
$t_7$	4.5	ns min	Data to $\overline{WR}$ Rising Edge Hold Time.
$t_8$	20	ns min	$\overline{WR}$ Pulse Width High.
$t_9$	240	ns min	Minimum $\overline{WR}$ Cycle Time (Single-Channel Write).
$t_{10}^4$	0/30	ns min/max	$\overline{WR}$ Rising Edge to $\overline{BUSY}$ Falling Edge.
$t_{11}^4$	330	ns max	$\overline{BUSY}$ Pulse Width Low (Single-Channel Update). See Table 11.
$t_{12}$	0	ns min	$\overline{BUSY}$ Rising Edge to $\overline{WR}$ Rising Edge.
$t_{13}$	30	ns min	$\overline{WR}$ Rising Edge to $\overline{LDAC}$ Falling Edge.
$t_{14}$	20	ns min	$\overline{LDAC}$ Pulse Width Low.
$t_{15}^4$	150	ns typ	$\overline{BUSY}$ Rising Edge to DAC Output Response Time.
$t_{16}$	20	ns min	$\overline{LDAC}$ Rising Edge to $\overline{WR}$ Rising Edge.
$t_{17}$	0	ns min	$\overline{BUSY}$ Rising Edge to $\overline{LDAC}$ Falling Edge.
$t_{18}$	100	ns typ	$\overline{LDAC}$ Falling Edge to DAC Output Response Time.
$t_{19}$	20/30	$\mu\text{s typ/ max}$	DAC Output Settling Time.
$t_{20}$	10	ns min	$\overline{CLR}$ Pulse Width Low.
$t_{21}$	350	ns max	$\overline{CLR}/\overline{RESET}$ Pulse Activation Time.
$t_{22}$	10	ns min	$\overline{RESET}$ Pulse Width Low.
$t_{23}$	120	$\mu\text{s max}$	$\overline{RESET}$ Time Indicated by $\overline{BUSY}$ Low.

<sup>1</sup> Guaranteed by design and characterization; not production tested.

<sup>2</sup> All input signals are specified with  $t_r = t_f = 2\text{ ns}$  (10% to 90% of  $V_{CC}$ ) and timed from a voltage level of 1.2 V.

<sup>3</sup> See Figure 6.

<sup>4</sup> Measured with load circuit in Figure 2.

# AD5378

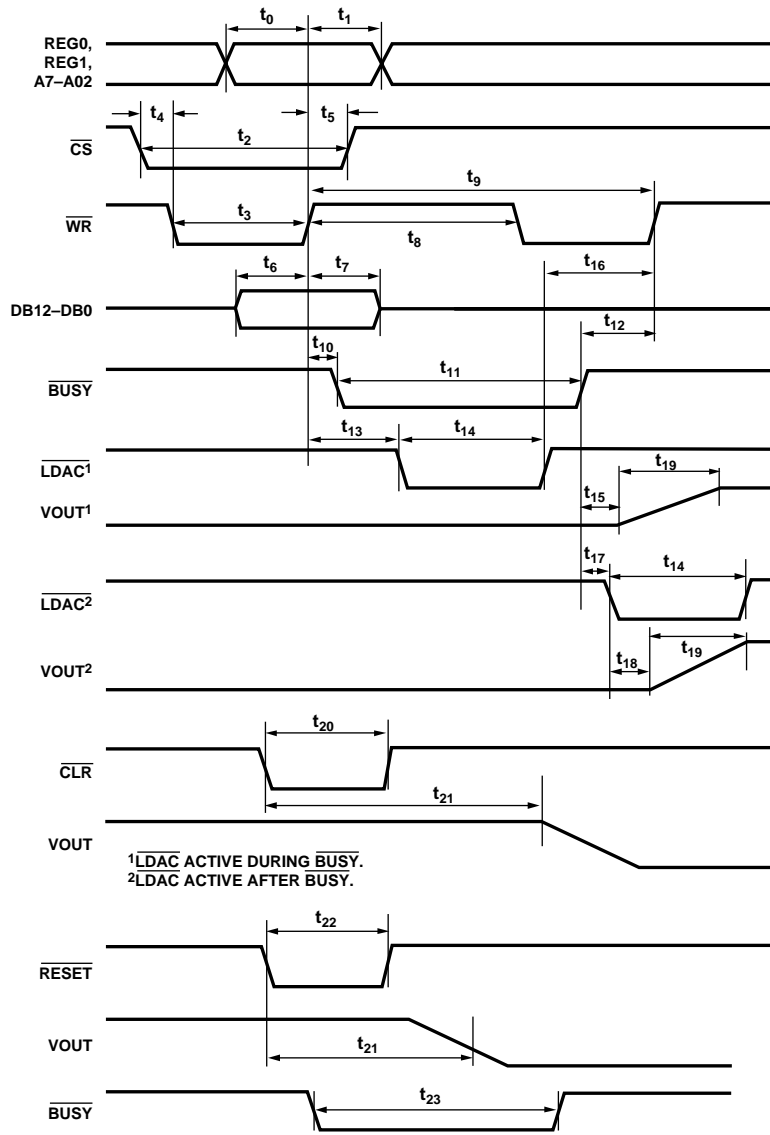


Figure 6. Parallel Interface Timing Diagram

05292-008

## ABSOLUTE MAXIMUM RATINGS

$T_A = 25^\circ\text{C}$ , unless otherwise noted.

Transient currents of up to 100 mA do not cause SCR latch-up.

**Table 7.**

Parameter	Rating
$V_{DD}$ to AGND	-0.3 V to +17 V
$V_{SS}$ to AGND	-17 V to +0.3 V
$V_{CC}$ to DGND	-0.3 V to +7 V
Digital Inputs to DGND	-0.3 V to $V_{CC} + 0.3$ V
Digital Outputs to DGND	-0.3 V to $V_{CC} + 0.3$ V
$V_{REF1(+)}$ , $V_{REF2(+)}$ to AGND	-0.3 V to +7 V
$V_{REF1(-)}$ , $V_{REF2(-)}$ to AGND	$V_{SS} - 0.3$ V to $V_{DD} + 0.3$ V
$V_{BIAS}$ to AGND	-0.3 V to +7 V
$V_{OUT0}$ - $V_{OUT31}$ to AGND	$V_{SS} - 0.3$ V to $V_{DD} + 0.3$ V
REFGND to AGND	$V_{SS} - 0.3$ V to $V_{DD} + 0.3$ V
AGND to DGND	-0.3 V to +0.3 V
Operating Temperature Range ( $T_A$ )	
Industrial (A Version)	-40°C to +85°C
Storage Temperature Range	-65°C to +150°C
Junction Temperature ( $T_J$ max)	150°C
108-Lead CSPBGA Package	
$\theta_{JA}$ Thermal Impedance	37.5°C/W
$\theta_{JC}$ Thermal Impedance	8.5°C/W
Reflow Soldering	
Peak Temperature	230°C
Time at Peak Temperature	10 sec to 40 sec

Stresses above those listed under Absolute Maximum Ratings may cause permanent damage to the device. This is a stress rating only; functional operation of the device at these or any other conditions above those listed in the operational sections of this specification is not implied. Exposure to absolute maximum rating conditions for extended periods may affect device reliability. Only one absolute maximum rating may be applied at any one time.

### ESD CAUTION

ESD (electrostatic discharge) sensitive device. Electrostatic charges as high as 4000 V readily accumulate on the human body and test equipment and can discharge without detection. Although this product features proprietary ESD protection circuitry, permanent damage may occur on devices subjected to high energy electrostatic discharges. Therefore, proper ESD precautions are recommended to avoid performance degradation or loss of functionality.



## PIN CONFIGURATION AND FUNCTION DESCRIPTIONS

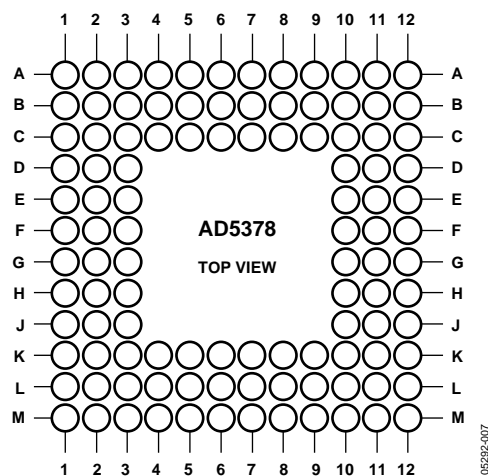


Figure 7. Pin Configuration

Table 8. 108-Lead CSPBGA Ball Configuration

CSPBGA No.	Ball Name	CSPBGA No.	Ball Name	CSPBGA No.	Ball Name	CSPBGA No.	Ball Name
A1	REG0	C4	SER/PAR <sup>1</sup>	G1	DB1	K10	VOUT14
A2	V <sub>CC3</sub>	C5	LDAC	G2	DB0	K11	VOUT18
A3	DB10	C6	VOUT6	G3	BUSY	K12	VOUT19
A4	AGND4	C7	VOUT3	G10	V <sub>SS3</sub>	L1	A7
A5	V <sub>BIAS</sub>	C8	VOUT4	G11	VOUT23	L2	A6
A6	VOUT5	C9	VOUT7	G12	REFGND2	L3	N/C <sup>2</sup>
A7	AGND3	C10	VOUT28	H1	WR/DCEN	L4	RESET <sup>3</sup>
A8	REFGND1	C11	VOUT26	H2	SDO <sup>3</sup>	L5	AGND
A9	V <sub>DD5</sub>	C12	VOUT27	H3	CS/SYNC	L6	AGND2
A10	V <sub>SS5</sub>	D1	DB7	H10	VOUT22	L7	VOUT12
A11	V <sub>SS4</sub>	D2	DB8	H11	AGND	L8	VOUT8
A12	V <sub>DD4</sub>	D3	DGND1	H12	AGND	L9	V <sub>DD1</sub>
B1	REG1	D10	V <sub>REF1(-)</sub>	J1	A0	L10	V <sub>REF2(+)</sub>
B2	DGND4	D11	VOUT29	J2	A1	L11	VOUT16
B3	DB9	D12	AGND	J3	A2	L12	VOUT17
B4	CLR	E1	DB5	J10	VOUT15	M1	DGND3
B5	AGND	E2	DB6	J11	VOUT20	M2	V <sub>CC2</sub>
B6	AGND	E3	V <sub>CC1</sub>	J12	VOUT21	M3	FIFOEN <sup>1</sup>
B7	VOUT0	E10	REFGNDB2	K1	A4	M4	AGND1
B8	VOUT1	E11	AGND	K2	A5	M5	VOUT13
B9	VOUT2	E12	VOUT30	K3	A3	M6	VOUT9
B10	VOUT25	F1	DB4	K4	DGND2	M7	REFGNDB1
B11	REFGNDD1	F2	DB3	K5	REFGND2	M8	V <sub>REF1(+)</sub>
B12	VOUT24	F3	DB2	K6	V <sub>REF2(-)</sub>	M9	V <sub>SS1</sub>
C1	DB13	F10	V <sub>DD3</sub>	K7	VOUT10	M10	V <sub>SS2</sub>
C2	DB12/SCLK	F11	REFGNDD2	K8	VOUT11	M11	V <sub>DD2</sub>
C3	DB11/DIN	F12	VOUT31	K9	AGND	M12	REFGND1

<sup>1</sup> Internal 1 MΩ pull-down device on this logic input. Therefore, it can be left floating, and it defaults to a logic low condition.

<sup>2</sup> N/C—Do not connect to this pin. Internal active pull-up device on these logic inputs. They default to a logic high condition.

<sup>3</sup> Internal 1 MΩ pull-up device on this logic input. Therefore, it can be left floating, and it defaults to a logic high condition.

Table 9. Pin Function Descriptions

Pin	Description
V <sub>CC</sub> (1–3)	Logic Power Supply. 2.7 V to 5.5 V. These pins should be decoupled with 0.1 μF ceramic capacitors and 10 μF tantalum capacitors.
V <sub>SS</sub> (1–5)	Negative Analog Power Supply. –11.4 V to –16.5 V for specified performance. These pins should be decoupled with 0.1 μF ceramic capacitors and 10 μF tantalum capacitors.
V <sub>DD</sub> (1–5)	Positive Analog Power Supply. +11.4 V to +16.5 V for specified performance. These pins should be decoupled with 0.1 μF ceramic capacitors and 10 μF tantalum capacitors.
AGND(1–4)	Ground for All Analog Circuitry. All AGND pins should be connected to the AGND plane.
DGND(1–4)	Ground for All Digital Circuitry. All DGND pins should be connected to the DGND plane.
V <sub>REF</sub> 1(+), V <sub>REF</sub> 1(–)	Reference Inputs for DACs 0 to 5, 8 to 13, 16 to 21, and 24 to 30. These voltages are referred to AGND.
V <sub>REF</sub> 2(+), V <sub>REF</sub> 2(–)	Reference Inputs for DACs 6, 7, 14, 15, 22, 23, 30, and 31. These reference voltages are referred to AGND.
V <sub>BIAS</sub>	DAC Bias Voltage Input/Output. This pin provides an access to the on-chip voltage generator voltage. It is provided for bypassing and overdriving purposes only. If V <sub>REF</sub> (+) > 4.25 V, V <sub>BIAS</sub> must be pulled high externally to an equal or higher potential, for example, 5 V. If V <sub>REF</sub> (+) < 4.25 V, the on-chip bias generator can be used. In this case, the V <sub>BIAS</sub> pin should be decoupled with a 10 nF capacitor to AGND.
VOUT0 to VOUT31	DAC Outputs. Buffered analog outputs for each of the 32 DAC channels. Each analog output can drive an output load of 5 kΩ to ground. Typical output impedance of these amplifiers is 1 Ω.
SER/ $\overline{\text{PAR}}$	Interface Select Input. This pin allows the user to select whether the serial or parallel interface is used. This pin has an internal 1 MΩ pull-down resistor, meaning that the default state at power-on is parallel mode. If this pin is tied high, the serial interface is used.
$\overline{\text{SYNC}}^1$	Active Low Input. This is the frame synchronization signal for the serial interface.
SCLK <sup>1</sup>	Serial Clock Input. Data is clocked into the shift register on the falling edge of SCLK. This pin operates at clock speeds up to 50 MHz.
DIN <sup>1</sup>	Serial Data Input. Data must be valid on the falling edge of SCLK.
SDO <sup>1</sup>	Serial Data Output. CMOS output. SDO can be used for daisy-chaining several devices together. Data is clocked out on SDO on the rising edge of SCLK and is valid on the falling edge of SCLK.
DCEN <sup>1</sup>	Daisy-Chain Select Input. Level sensitive, active high. When high, this signal is used in conjunction with SER/ $\overline{\text{PAR}}$ high to enable serial interface daisy-chain mode.
$\overline{\text{CS}}$	Parallel Interface Chip Select Input. Level sensitive, active low. When this pin is low, the device is selected.
$\overline{\text{WR}}$	Parallel Interface Write Input. Edge sensitive. The rising edge of $\overline{\text{WR}}$ is used in conjunction with $\overline{\text{CS}}$ low and the address bus inputs to write to the selected AD5378 registers.
DB13 to DB0	Parallel Data Inputs. The AD5378 can accept a straight 14-bit parallel word on DB0 to DB13, where DB13 is the MSB and DB0 is the LSB.
A0 to A7	Parallel Address Inputs. A7 to A4 are decoded to select one group or multiple groups of registers (input registers, gain registers (m), or offset registers (c)) for a data transfer. This pin is used in conjunction with the REG1 and REG0 pins to determine the destination register for the input data. See the Parallel Interface section for details of the address decoding.
REG0	Parallel Interface Register Select Input. This pin is used together with REG1 to select data registers, gain registers, offset registers, increment/decrement mode, or the soft reset function. See Table 12.
REG1	Parallel Interface Register Select Input. This pin is used together with REG0 to select data registers, gain registers, offset registers, increment/decrement mode, or the soft reset function. See Table 12.
$\overline{\text{CLR}}$	Asynchronous Clear Input. Level sensitive, active low. When $\overline{\text{CLR}}$ is low, the input to each of the DAC output buffer stages, VOUT0 to VOUT31, is switched to the externally set potential on the relevant REF <sub>GND</sub> pin. While $\overline{\text{CLR}}$ is low, all $\overline{\text{LDAC}}$ pulses are ignored. When $\overline{\text{CLR}}$ is taken high again, the DAC outputs remain cleared until $\overline{\text{LDAC}}$ is taken low. The contents of input registers and DAC Registers 0 to 31 are not affected by taking $\overline{\text{CLR}}$ low.
$\overline{\text{BUSY}}$	Digital Input/Open-Drain Output. This pin must be pulled high with a pull-up resistor for correct operation. $\overline{\text{BUSY}}$ goes low during internal calculations of x2. During this time, the user can continue writing new data to additional x1, c, and m registers (these are stored in a FIFO), but no further updates to the DAC registers and DAC outputs can take place. If $\overline{\text{LDAC}}$ is taken low while $\overline{\text{BUSY}}$ is low, this event is stored. Because $\overline{\text{BUSY}}$ is bidirectional, it can be pulled low externally to delay $\overline{\text{LDAC}}$ action. $\overline{\text{BUSY}}$ also goes low during power-on reset or when the $\overline{\text{RESET}}$ pin is low. During a $\overline{\text{RESET}}$ operation, the parallel interface is disabled and any events on $\overline{\text{LDAC}}$ are ignored.
$\overline{\text{LDAC}}$	Load DAC Logic Input. Active low. If $\overline{\text{LDAC}}$ is taken low while $\overline{\text{BUSY}}$ is inactive (high), the contents of the input registers are transferred to the DAC registers, and the DAC outputs are updated. If $\overline{\text{LDAC}}$ is taken low while $\overline{\text{BUSY}}$ is active and internal calculations are taking place, the $\overline{\text{LDAC}}$ event is stored and the DAC registers are updated when $\overline{\text{BUSY}}$ goes inactive. However, any events on $\overline{\text{LDAC}}$ during power-on reset or $\overline{\text{RESET}}$ are ignored.

# AD5378

Pin	Description
FIFOEN	FIFO Enable. Level sensitive, active high. When connected to DVDD, the internal FIFO is enabled, allowing the user to write to the device at full speed. FIFO is available in both serial and parallel modes. The FIFOEN pin has an internal 1 M $\Omega$ pull-down resistor connected to ground, meaning that the FIFO is disabled by default.
$\overline{\text{RESET}}$	Asynchronous Digital Reset Input. Falling edge sensitive. If unused, $\overline{\text{RESET}}$ can be left unconnected; an internal pull-up resistor (1 M $\Omega$ ) ensures that the $\overline{\text{RESET}}$ input is held high. The function of this pin is equivalent to that of the power-on reset generator. When this pin is taken low, the AD5378 state machine initiates a reset sequence to digitally reset the x1, m, c, and x2 registers to their default power-on values. This sequence takes 100 $\mu\text{s}$ (typ). Furthermore, the input to each of the DAC output buffer stages, VOUT0 to VOUT31, is switched to the externally set potential on the relevant REFGND pin. During $\overline{\text{RESET}}$ , BUSY goes low and the parallel interface is disabled. All $\overline{\text{LDAC}}$ pulses are ignored until BUSY goes high. When $\overline{\text{RESET}}$ goes high again, the DAC outputs remain at REFGND until $\overline{\text{LDAC}}$ is taken low.
REFGND A1	Reference Ground for DACs 0 to 5. VOUT0 to VOUT5 are referenced to this voltage.
REFGND A2	Reference Ground for DACs 6 and 7. VOUT6 and VOUT7 are referenced to this voltage.
REFGND B1	Reference Ground for DACs 8 to 13. VOUT8 to VOUT13 are referenced to this voltage.
REFGND B2	Reference Ground for DACs 14 and 15. VOUT14 and VOUT15 are referenced to this voltage.
REFGND C1	Reference Ground for DACs 16 to 21. VOUT16 to VOUT21 are referenced to this voltage.
REFGND C2	Reference Ground for DACs 22 and 23. VOUT22 and VOUT23 are referenced to this voltage.
REFGND D1	Reference Ground for DACs 24 to 29. VOUT24 to VOUT29 are referenced to this voltage.
REFGND D2	Reference Ground for DACs 30 and 31. VOUT30 and VOUT31 are referenced to this voltage.

<sup>1</sup> These serial interface signals do not require separate pins, but share parallel interface pins.

# TYPICAL PERFORMANCE CHARACTERISTICS

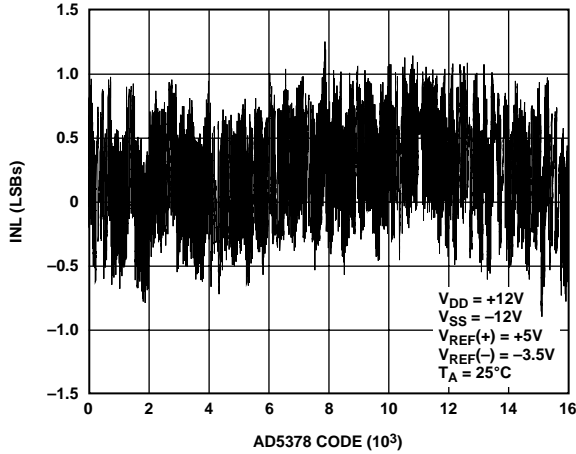


Figure 8. Typical INL Plot

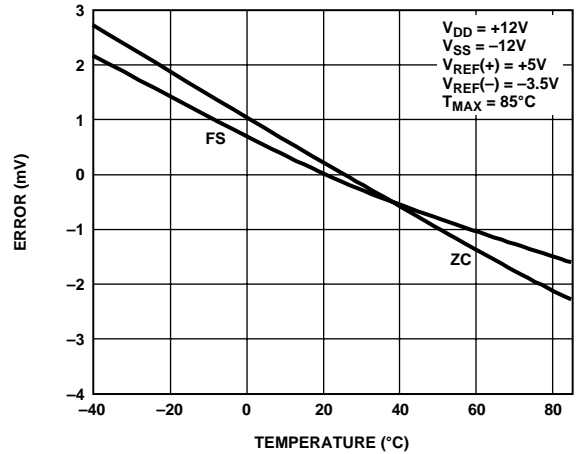


Figure 11. Typical Full-Scale and Zero-Scale Errors vs. Temperature

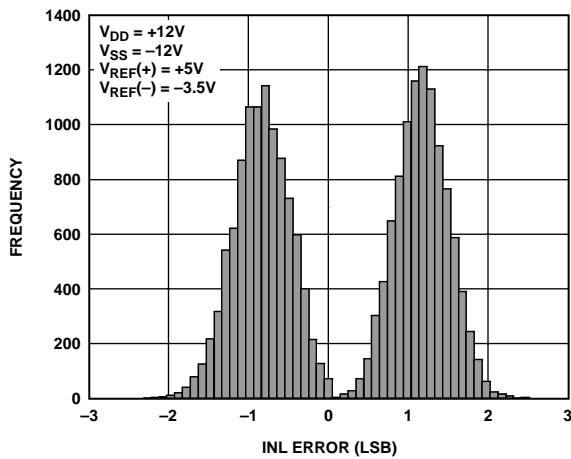


Figure 9. INL Error Distribution (-40°C, +25°C, +85°C Superimposed)

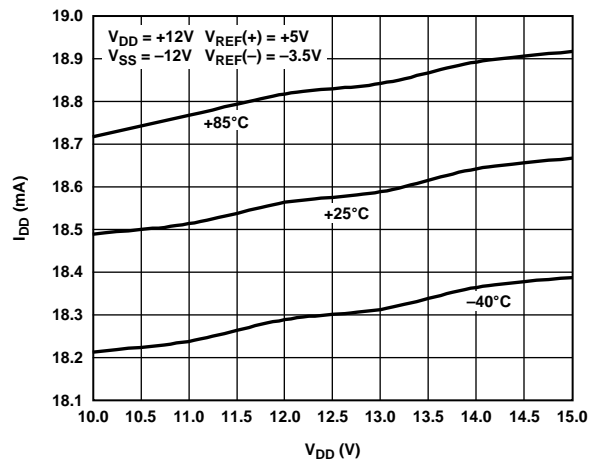


Figure 12.  $I_{DD}$  vs.  $V_{DD}$  over Temperature

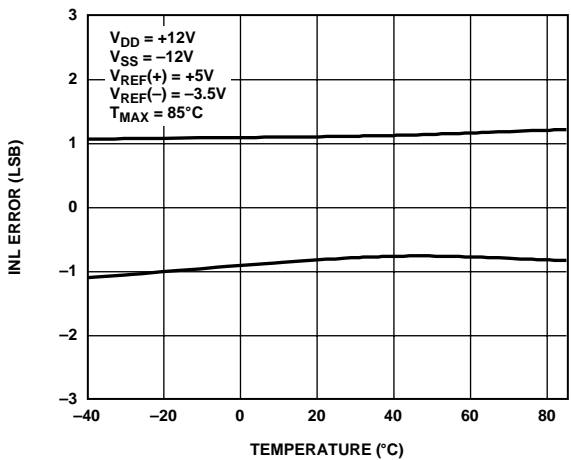


Figure 10. Typical INL Error vs. Temperature

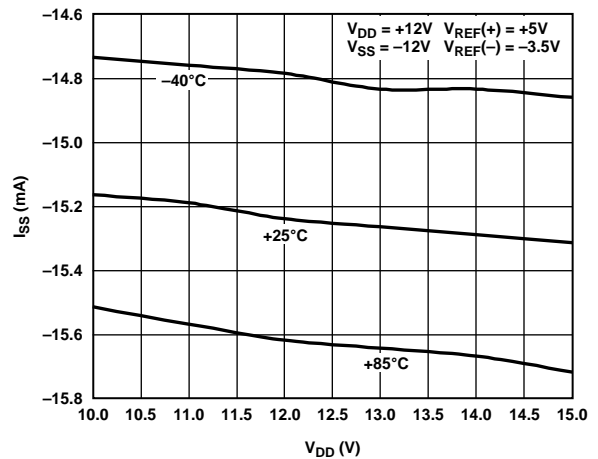


Figure 13.  $I_{SS}$  vs.  $V_{DD}$  over Temperature

05292-008

05292-011

05292-009

05292-012

05292-010

05292-013

# AD5378

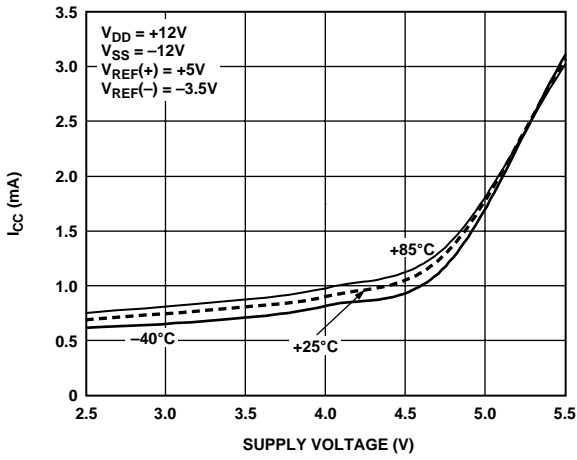


Figure 14.  $I_{CC}$  vs. Supply

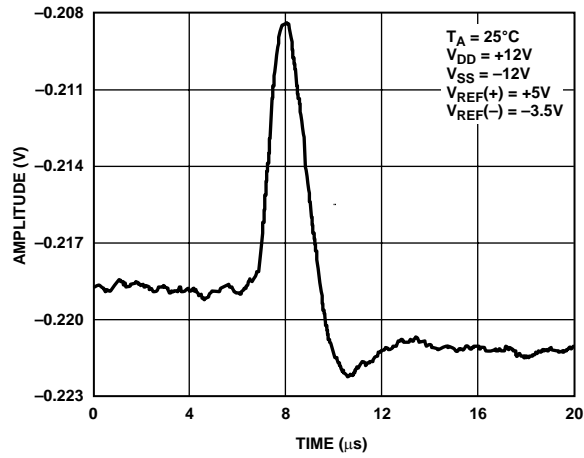


Figure 15. Major Code Transition Glitch Energy

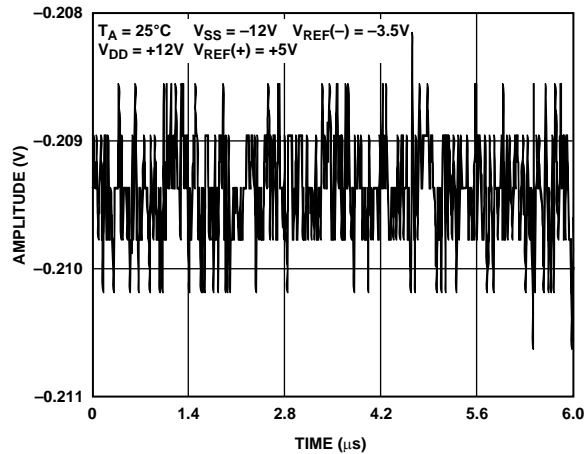


Figure 16. Digital Feedthrough

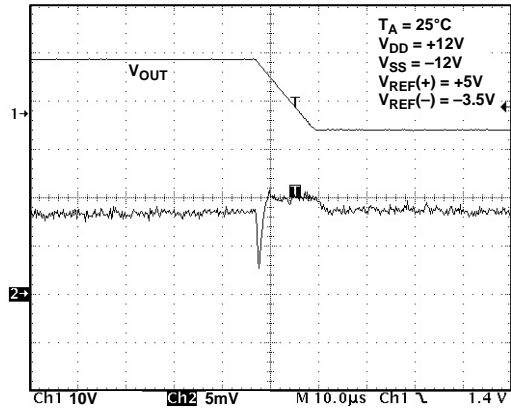


Figure 17. DAC-to-DAC Crosstalk

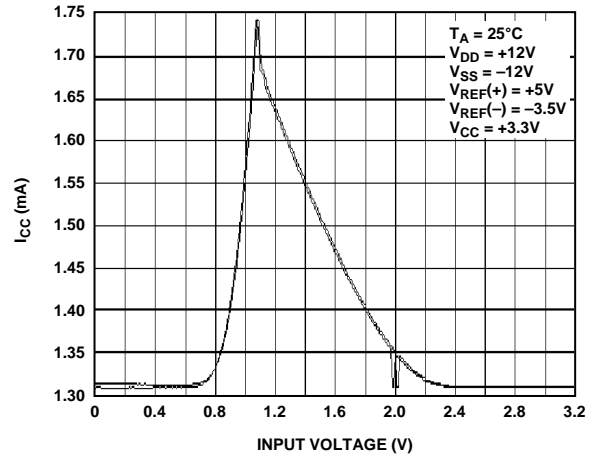


Figure 18. Supply Current vs. Digital Input Voltage

05292-014

05292-017

05292-015

05292-018

05292-016



## TERMINOLOGY

### Relative Accuracy

Relative accuracy or endpoint linearity is a measurement of the maximum deviation from a straight line passing through the endpoints of the DAC transfer function. It is measured after adjusting for zero-scale error and full-scale error and is expressed in least significant bits (LSB).

### Differential Nonlinearity

Differential nonlinearity is the difference between the measured change and the ideal 1 LSB change between any two adjacent codes. A specified differential nonlinearity of 1 LSB maximum ensures monotonicity.

### Zero-Scale Error

Zero-scale error is the error in the DAC output voltage when all 0s are loaded into the DAC register.

Ideally, with all 0s loaded to the DAC and m is all 1s, c is 10 0000 0000 0000:

$$VOUT_{(zero-scale)} = 2.5 \times V_{REF(-)} - AGND + REFGND$$

Zero-scale error is a measurement of the difference between VOUT (actual) and VOUT (ideal) expressed in mV. Zero-scale error is mainly due to offsets in the output amplifier.

### Full-Scale Error

Full-scale error is the error in DAC output voltage when all 1s are loaded into the DAC register.

Ideally, with all 1s loaded to the DAC and m is all 1s, c is 10 0000 0000 0000:

$$VOUT_{(full-scale)} = 3.5 \times (V_{REF(+)} - AGND) + 2.5 \times (V_{REF(-)} - AGND) + REFGND$$

Full-scale error is a measurement of the difference between VOUT (actual) and VOUT (ideal) expressed in mV. It does not include zero-scale error.

### Gain Error

Gain error is the difference between full-scale error and zero-scale error. It is expressed in mV.

$$Gain\ Error = Full-Scale\ Error - Zero-Scale\ Error$$

### VOUT Temperature Coefficient

This includes output error contributions from linearity, offset, and gain drift.

### DC Output Impedance

DC output impedance is the effective output source resistance. It is dominated by package lead resistance.

### DC Crosstalk

The 32 DAC outputs are buffered by op amps that share common  $V_{DD}$  and  $V_{SS}$  power supplies. If the dc load current changes in one channel (due to an update), this can result in a further dc change in one or more channel outputs. This effect is more significant at high load currents and reduces as the load currents are reduced. With high impedance loads, the effect is virtually unmeasurable. Multiple  $V_{DD}$  and  $V_{SS}$  terminals are provided to minimize dc crosstalk.

### Output Voltage Settling Time

This is the amount of time it takes for the output of a DAC to settle to a specified level for a full-scale input change.

### Digital-to-Analog Glitch Energy

This is the amount of energy injected into the analog output at the major code transition. It is specified as the area of the glitch in nV-s. It is measured by toggling the DAC register data between 0x1FFF and 0x2000.

### Channel-to-Channel Isolation

Channel-to-channel isolation refers to the proportion of input signal from one DAC's reference input that appears at the output of another DAC operating from another reference. It is expressed in dB and measured at midscale.

### DAC-to-DAC Crosstalk

DAC-to-DAC crosstalk is the glitch impulse that appears at the output of one converter due to both the digital change and subsequent analog output change at another converter. It is specified in nV-s.

### Digital Crosstalk

The glitch impulse transferred to the output of one converter due to a change in the DAC register code of another converter is defined as the digital crosstalk and is specified in nV-s.

### Digital Feedthrough

When the device is not selected, high frequency logic activity on the device's digital inputs can be capacitively coupled both across and through the device to show up as noise on the VOUT pins. It can also be coupled along the supply and ground lines. This noise is digital feedthrough.

### Output Noise Spectral Density

This is a measurement of internally generated random noise. Random noise is characterized as a spectral density (voltage per  $\sqrt{\text{Hz}}$ ). It is measured by loading all DACs to midscale and measuring noise at the output. It is measurement in  $\text{nV}/(\text{Hz})^{1/2}$ .

## FUNCTIONAL DESCRIPTION

### DAC ARCHITECTURE—GENERAL

The AD5378 contains 32 DAC channels and 32 output amplifiers in a single package. The architecture of a single DAC channel consists of a 14-bit resistor-string DAC followed by an output buffer amplifier. The resistor-string section is simply a string of resistors, each of value  $R$ , from  $V_{REF(+)}$  to AGND. This type of architecture guarantees DAC monotonicity. The 14-bit binary digital code loaded to the DAC register determines at which node on the string the voltage is tapped off before being fed into the output amplifier. The output amplifier translates the output of the DAC to a wider range. The DAC output is gained up by a factor of 3.5 and offset by the voltage on the  $V_{REF(-)}$  pin. See the Transfer Function section.

### CHANNEL GROUPS

The 32 DAC channels on the AD5378 are arranged into four groups (A, B, C, D) of eight channels. In each group, six channels are connected to  $V_{REF1(+)}$  and  $V_{REF1(-)}$ ; the remaining two channels are connected to  $V_{REF2(+)}$  and  $V_{REF2(-)}$ . Each group has two individual REFGND pins. For example, in Group A, six channels are connected to REFGNDA1, and the remaining two channels are connected to REFGNDA2. In addition to an input register (x1) and a DAC register (x2), each channel has a gain register (m) and an offset register (c). See Table 18. Including these registers allows the user to calibrate out errors in the complete signal chain, including the DAC errors.

Table 10 shows the reference and REFGND inputs, and the m and c registers for Group A. Groups B, C, and D are similar.

**Table 10. Inputs and Registers for Group A**

Channel	Reference	REFGND	m, c Registers
0...5	$V_{REF1(+)}$ , $V_{REF1(-)}$	REFGNDA1	m REG0...5 c REG0...5
6...7	$V_{REF2(+)}$ , $V_{REF2(-)}$	REFGNDA2	m REG6...7 c REG6...7

### TRANSFER FUNCTION

The digital input transfer function for each DAC can be represented as

$$x2 = [(m + 1)/2^{13} \times x1] + (c - 2^{n-1})$$

where:

$x2$  is the data-word loaded to the resistor string DAC.

The default is 10 0000 0000 0000.

$x1$  is the 14-bit data-word written to the DAC input register.

The default is 10 0000 0000 0000.

$m$  is the 13-bit gain coefficient. The default is 1 1111 1111 1111.

$c$  is the 14-bit offset coefficient. The default is 10 0000 0000 0000.

$n$  is the DAC resolution.  $n = 14$ .

Figure 19 shows a single DAC channel and its associated registers. The power-on values for the m and c registers are full scale and 0x2000, respectively. The user can individually adjust the voltage range on each DAC channel by overwriting the power-on values of m and c. The AD5378 has digital overflow and underflow detection circuitry to clamp the DAC output at full scale or at zero scale when the values chosen for x1, m, and c result in x2 being out of range.

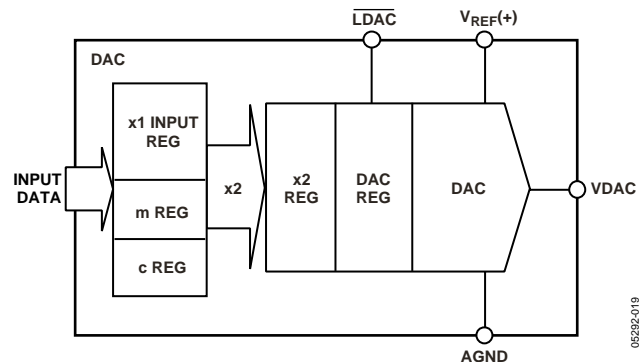


Figure 19. Single DAC Channel

The complete transfer function for the AD5378 can be represented as

$$VOUT = 3.5 \times ((V_{REF(+)} - AGND) \times x2/2^{14}) + 2.5 \times (V_{REF(-)} - AGND) + REFGND$$

where:

$x2$  is the data-word loaded to the resistor string DAC.

$V_{REF(+)}$  is the voltage at the positive reference pin.

$V_{REF(-)}$  is the voltage at the negative reference pin.

Figure 20 shows the output amplifier stage of a single channel. VDAC is the voltage output from the resistor string DAC. The nominal range of VDAC is 1 LSB to full scale.

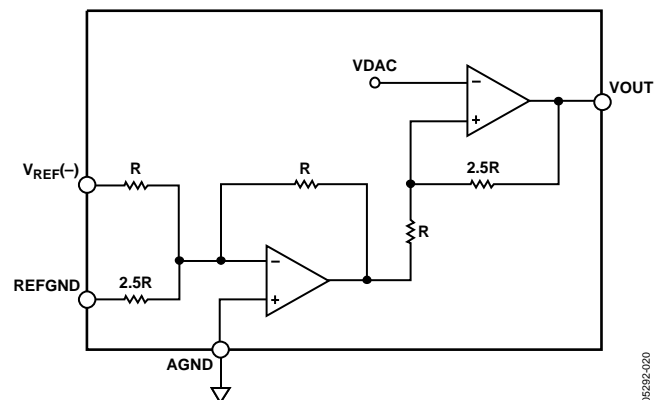


Figure 20. Output Amplifier Stage

## V<sub>BIAS</sub> FUNCTION

The AD5378 on-chip voltage generator provides a bias voltage of 4.25 V (min). The V<sub>BIAS</sub> pin is provided for bypassing and overdriving purposes only. It is not intended to be used as a supply or a reference. If V<sub>REF(+)</sub> > 4.25 V, V<sub>BIAS</sub> must be pulled high externally to an equal or higher potential such as 5 V. The external voltage source should be capable of driving a 50 μA (typical) current sink load.

## REFERENCE SELECTION

The voltages applied to V<sub>REF(+)</sub> and V<sub>REF(-)</sub> determine the output voltage range and span on VOUT0 to VOUT31. If the offset and gain features are not used (m and c are left at their power-on values), the reference levels required can be calculated as follows:

$$V_{REF(+)}_{min} = (VOUT_{max} - VOUT_{min})/3.5$$

$$V_{REF(-)}_{max} = (AGND + VOUT_{min})/2.5$$

If the offset and gain features of the AD5378 are used, the output range required is slightly different. The output range chosen should take into account the offset and gain errors that need to be trimmed out. Therefore, the output range should be larger than the actual required range.

The reference levels required can be calculated as follows:

1. Identify the nominal output range on VOUT.
2. Identify the maximum offset span and the maximum gain required on the full output signal range.
3. Calculate the new maximum output range on VOUT, including the maximum offset and gain errors expected.
4. Choose the new VOUT<sub>max</sub> and VOUT<sub>min</sub> required, keeping the new VOUT limits centered on the nominal values and assuming REFGND is 0 V (or equal to AGND). V<sub>DD</sub> and V<sub>SS</sub> must provide sufficient headroom.
5. Calculate the values of V<sub>REF(+)</sub> and V<sub>REF(-)</sub> as follows:

$$V_{REF(+)}_{min} = (VOUT_{max} - VOUT_{min})/3.5$$

$$V_{REF(-)}_{max} = (AGND + VOUT_{min})/2.5$$

In addition, when using reference values other than those suggested (V<sub>REF(+)</sub> = 5 V and V<sub>REF(-)</sub> = -3.5 V), the expected offset error component changes as follows:

$$V_{OFFSET} = 0.125 \times (V_{REF(-)A} + 0.7 \times V_{REF(+)}A)$$

where:

V<sub>REF(-)A</sub> is the new negative reference value.

V<sub>REF(+)</sub>A is the new positive reference value.

If this offset error too large to calibrated out, it is possible to adjust the negative reference value to account for this by using the following equation:

$$V_{REF(-)}_{NEW} = V_{REF(-)A} - V_{OFFSET}/2.625$$

### Reference Selection Example

Nominal Output Range = 10 V; (-2 V to +8 V)

Offset Error = ±100 mV

Gain Error = ±3%

REFGND = AGND = 0 V

1. Gain Error = ±3%;  
=> Maximum Positive Gain Error = +3%  
=> Output Range including Gain Error =  
10 + 0.03 (10) = 10.3 V
2. Offset Error = ±100 mV;  
=> Maximum Offset Error Span = 2(100) mV = 0.2 V  
=> Output Range including Gain Error and Offset Error =  
10.3 + 0.2 = 10.5 V
3. V<sub>REF(+)</sub> and V<sub>REF(-)</sub> Calculation:  
Actual Output Range = 10.5 V, that is, -2.25 V to +8.25 V (centered);  
=> V<sub>REF(+)</sub> = (8.25 + 2.25)/3.5 = 3 V and  
V<sub>REF(-)</sub> = -2.25/2.5 = -0.9 V

If the solution yields inconvenient reference levels, the user can adopt one of these approaches:

- Use a resistor divider to divide down a convenient, higher reference level to the required level.
- Select convenient reference levels above V<sub>REF(+)</sub>min or below V<sub>REF(-)</sub>max. Modify the gain and offset registers to downsize the references digitally. In this way, the user can use almost any convenient reference level, but can reduce performance by overcompaction of the transfer function.
- Use a combination of these two approaches.

# AD5378

## CALIBRATION

The user can perform a system calibration by overwriting the default values in the m and c registers for any individual DAC channel as follows:

1. Calculate the nominal offset and gain coefficients for the new output range (see the previous example).
2. Calculate the new m and c values for each channel based on the specified offset and gain errors.

### Calibration Example

Nominal Offset Coefficient = 0

Nominal Gain Coefficient =  $10/10.5 \times 8191 = 0.95238 \times 8191 = 7801$

Example 1: Channel 0, Gain Error = 3%,  
Offset Error = 100 mV

1. Gain Error (3%) Calibration:  $7801 \times 1.03 = 8035$   
=> Load Code 1 1111 0110 0011 to m Register 0
2. Offset Error (100 mV) Calibration:  
LSB Size =  $10.5 / 16384 = 641 \mu\text{V}$ ;  
Offset Coefficient for 100 mV Offset =  $100 / 0.64 = 156$  LSBs  
=> Load 10 0000 1001 1100 to c Register 0

Example 2: Channel 1, Gain Error = -3%,  
Offset Error = -100 mV

1. Gain Error (-3%) Calibration:  $7801 \times 0.97 = 7567$   
=> Load Code 1 1110 1000 1111 to m Register 1
2. Offset Error (-100 mV) Calibration:  
LSB Size =  $10.5 / 16384 = 641 \mu\text{V}$ ;  
Offset Coefficient for -100 mV Offset =  $-100 / 0.64 = -156$  LSBs  
=> Load 01 1111 0110 0100 to c Register 1

## CLEAR FUNCTION

The clear function on the AD5378 can be implemented in hardware or software.

### Hardware Clear

Bringing the CLR pin low switches the outputs, VOUT0 to VOUT31, to the externally set potential on the REFGND pin. This is achieved by switching in REFGND and reconfiguring the output amplifier stages into unity gain buffer mode, thus ensuring that VOUT is equal to REFGND. The contents of the input registers and DAC registers are not affected by taking CLR low. When CLR is brought high, the DAC outputs remain cleared until LDAC is taken low. While CLR is low, the value of LDAC is ignored.

## Software Clear

Loading a clear code to the x1 registers also enables the user to set VOUT0 to VOUT31 to the REFGND level. The default clear code corresponds to m at full scale and c at midscale ( $x2 = x1$ ).

### Default Clear Code

$$= 2^{14} \times (-\text{Output Offset}) / (\text{Output Range})$$

$$= 2^{14} \times 2.5 \times (\text{AGND} - V_{\text{REF}(-)}) / (3.5 \times (V_{\text{REF}(+)} - \text{AGND}))$$

The more general expression for the clear code is as follows:

$$\text{Clear Code} = (2^{14}) / (m + 1) \times (\text{Default Clear Code} - c)$$

## BUSY AND LDAC FUNCTIONS

The value of x2 is calculated each time the user writes new data to the corresponding x1, c, or m registers. During the calculation of x2, the BUSY output goes low. While BUSY is low, the user can continue writing new data to the x1, m, or c registers, but no DAC output updates can take place. The DAC outputs are updated by taking the LDAC input low. If LDAC goes low while BUSY is active, the LDAC event is stored and the DAC outputs update immediately after BUSY goes high. A user can also hold the LDAC input permanently low. In this case, the DAC outputs update immediately after BUSY goes high.

Table 11. BUSY Pulse Width

Action	BUSY Pulse Width (ns max)	
	FIFO Enabled	FIFO Disabled
Loading x1, c, or m to 1 channel	530	330
Loading x1, c, or m to 2 channels	700	500
Loading x1, c, or m to 3 channels	900	700
Loading x1, c, or m to 4 channels	1050	850
Loading x1, c, or m to all 32 channels	5500	5300

The value of x2 for a single channel or group of channels is recalculated each time there is a write to any x1 register(s), c register(s), or m register(s). During the calculation of x2, BUSY goes low. The duration of this BUSY pulse depends on the number of channels being updated. For example, if x1, c, or m data is written to one DAC channel, BUSY goes low for 550 ns (max). However, if data is written to two DAC channels, BUSY goes low for 700 ns (max). There are approximately 200 ns of overhead due to FIFO access. See Table 11.

The AD5378 contains an additional feature whereby a DAC register is not updated unless its x2 register is written to since the last time LDAC was brought low. Normally, when LDAC is brought low, the DAC registers are filled with the contents of the x2 registers. However, the AD5378 updates the DAC register only if the x2 data changes, thereby removing unnecessary digital crosstalk.

## FIFO VS. NON-FIFO OPERATION

Data can be loaded to the AD5378 registers with FIFO disabled or enabled. Operation with FIFO disabled is optimum for single writes to the device. If the system requires significant data transfers to the AD5378, however, operation with FIFO enabled is more efficient.

When FIFO is enabled, the AD5378 uses an internal FIFO memory to allow high speed successive writes in both serial and parallel modes. This optimizes the interface speed and efficiency, minimizes the total conversion time due to internal digital efficiencies, and minimizes the overhead on the master controller when managing the data transfers. The  $\overline{\text{BUSY}}$  signal goes low while instructions in the state machine are being executed.

Table 11 compares operation with FIFO enabled and FIFO disabled for different data transfers to the AD5378. Operation with FIFO enabled is more efficient for all operations except single write operations. When using the FIFO, the user can continue writing new data to the AD5378 while write instructions are being executed. Up to 128 successive instructions can be written to the FIFO at maximum speed. When the FIFO is full, additional writes to the AD5378 are ignored.

## $\overline{\text{BUSY}}$ INPUT FUNCTION

Because the  $\overline{\text{BUSY}}$  pin is bidirectional and open-drain (for correct operation, use a pull-up resistor to digital supply), a second AD5378 or any other device (such as a system controller), can pull  $\overline{\text{BUSY}}$  low and, therefore, delay DAC update(s), if required. This is a means of delaying any  $\overline{\text{LDAC}}$  action. This feature allows synchronous updates of multiple AD5378 devices in a system at maximum speed. As soon as the last device connected to the  $\overline{\text{BUSY}}$  pin is ready, all DACs update automatically. Tying the  $\overline{\text{BUSY}}$  pin of multiple devices together enables synchronous updating of all DACs without extra hardware.

## POWER-ON RESET FUNCTION

The AD5378 contains a power-on reset generator and state machine. During power-on,  $\overline{\text{CLR}}$  becomes active (internally), the power-on state machine resets all internal registers to their default values, and  $\overline{\text{BUSY}}$  goes low. This sequence takes 8 ms (typical). The outputs,  $\text{VOUT0}$  to  $\text{VOUT31}$ , are switched to the externally set potential on the  $\overline{\text{REFGND}}$  pin. During power-on,

the parallel interface is disabled, so it is not possible to write to the part. Any transitions on  $\overline{\text{LDAC}}$  during the power-on period are ignored in order to reject initial  $\overline{\text{LDAC}}$  pin glitching. A rising edge on  $\overline{\text{BUSY}}$  indicates that power-on is complete and that the parallel interface is enabled. All DACs remain in their power-on state until  $\overline{\text{LDAC}}$  is used to update the DAC outputs.

## RESET INPUT FUNCTION

The AD5378 can be placed into the power-on reset state at any time by activating the  $\overline{\text{RESET}}$  pin. The AD5378 state machine initiates a reset sequence to digitally reset the x1, m, c, and x2 registers to their default power-on values. This sequence takes 95  $\mu\text{s}$  (typical), 120  $\mu\text{s}$  (max), and 70  $\mu\text{s}$  (min). During this sequence,  $\overline{\text{BUSY}}$  goes low. While  $\overline{\text{RESET}}$  is low, any transitions on  $\overline{\text{LDAC}}$  are ignored. As with the  $\overline{\text{CLR}}$  input, while  $\overline{\text{RESET}}$  is low, the DAC outputs are switched to  $\overline{\text{REFGND}}$ . The outputs remain at  $\overline{\text{REFGND}}$  until an  $\overline{\text{LDAC}}$  pulse is applied. This reset function can also be implemented via the parallel interface by setting the  $\overline{\text{REG0}}$  and  $\overline{\text{REG1}}$  pins low and writing all 1s to  $\overline{\text{DB13}}$  to  $\overline{\text{DB0}}$ . See Table 17 for soft reset.

## INCREMENT/DECREMENT FUNCTION

The AD5378 has a special function register that enables the user to increment or decrement the internal 14-bit input register data (x1) in steps of 0 to 127 LSBs. The increment/decrement function is selected by setting both  $\overline{\text{REG1}}$  and  $\overline{\text{REG0}}$  pins (or bits) low. Address Pins (or bits)  $\overline{\text{A7}}$  to  $\overline{\text{A0}}$  are used to select a DAC channel or group of channels. The amount by which the x1 register is incremented or decremented is determined by the  $\overline{\text{DB6}}$  to  $\overline{\text{DB0}}$  bits/pins. For example, for a 1 LSB increment or decrement,  $\overline{\text{DB6}}\dots\overline{\text{DB0}} = 0000001$ , while for a 7 LSB increment or decrement,  $\overline{\text{DB6}}\dots\overline{\text{DB0}} = 0000111$ .  $\overline{\text{DB8}}$  determines whether the input register data is incremented ( $\overline{\text{DB8}} = 1$ ) or decremented ( $\overline{\text{DB8}} = 0$ ). The maximum amount by which the user is allowed to increment or decrement the data is 127 LSBs, that is,  $\overline{\text{DB6}}\dots\overline{\text{DB0}} = 1111111$ . The 0 LSB step is included to facilitate software loops in the user's application. See Table 16.

The AD5378 has digital overflow and underflow detection circuitry to clamp at full scale or zero scale when the values chosen for increment or decrement mode are out of range.

# AD5378

## INTERFACES

The AD5378 contains parallel and serial interfaces. The active interface is selected via the SER/PAR pin.

The AD5378 uses an internal FIFO memory to allow high speed successive writes in both serial and parallel modes. The user can continue writing new data to the AD5378 while write instructions are being executed. The  $\overline{\text{BUSY}}$  signal goes low while instructions in the FIFO are being executed. Up to 120 successive instructions can be written to the FIFO at maximum speed. When the FIFO is full, additional writes to the AD5378 are ignored.

To minimize both the power consumption of the device and on-chip digital noise, the active interface powers up fully only when the device is being written to, that is, on the falling edge of  $\overline{\text{WR}}$  or on the falling edge of  $\overline{\text{SYNC}}$ .

All digital interfaces are 2.5 V LVTTTL-compatible when operating from a 2.7 V to 3.6 V  $V_{\text{CC}}$  supply.

### PARALLEL INTERFACE

A pull-down on the SER/PAR pin makes the parallel interface the default. If using the parallel interface, the SER/PAR pin can be left unconnected. Figure 6 shows the timing diagram for a parallel write to the AD5378. The parallel interface is controlled by the following pins.

#### $\overline{\text{CS}}$ Pin

Active low device select pin.

#### $\overline{\text{WR}}$ Pin

On the rising edge of  $\overline{\text{WR}}$ , with  $\overline{\text{CS}}$  low, the address values at Pins A7 to A0 are latched and data values at Pins DB13 to DB0 are loaded into the selected AD5378 input registers.

#### REG1, REG0 Pins

The REG1 and REG0 pins determine the destination register of the data being written to the AD5378. See Table 12.

Table 12. Register Selection

REG1	REG0	Register Selected
1	1	Input Data Register (x1)
1	0	Offset Register (c)
0	1	Gain Register (m)
0	0	Special Function Register

#### DB13 to DB0 Pins

The AD5378 accepts a straight 14-bit parallel word on DB0 to DB13, where DB13 is the MSB and DB0 is the LSB. See Table 13 to Table 17.

#### A7 to A0 Pins

Each of the 32 DAC channels can be addressed individually. In addition, several channel groupings enable the user to simultaneously write the same data to multiple DAC channels. Address Bits A7 to A4 are decoded to select one group or multiple groups of registers. Address Bits A3 to A0 select one of ten input data registers (x1), offset registers (c), or gain registers (m). See Table 18.

### SERIAL INTERFACE

The SER/PAR pin must be tied high to enable the serial interface and disable the parallel interface. The serial interface is controlled by the following pins.

#### $\overline{\text{SYNC}}$ , DIN, SCLK

Standard 3-wire interface pins.

#### DCEN

Selects standalone mode or daisy-chain mode.

#### SDO

Data out pin for daisy-chain mode.

Figure 4 and Figure 5 show the timing diagrams for a serial write to the AD5378 in standalone and daisy-chain modes, respectively.

The 24-bit data-word format for the serial interface is shown in Figure 21.

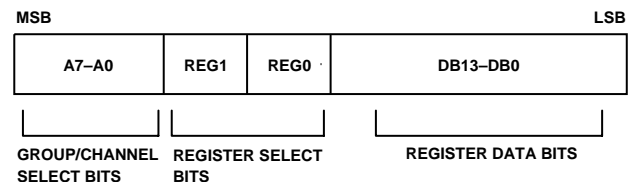


Figure 21. Serial Data Format

#### Standalone Mode

By connecting the DCEN (daisy-chain enable) pin low, standalone mode is enabled. The serial interface works with both a continuous and a burst serial clock. The first falling edge of  $\overline{\text{SYNC}}$  starts the write cycle and resets a counter that counts the number of serial clocks to ensure that the correct number of bits is shifted into the serial shift register. Additional edges on  $\overline{\text{SYNC}}$  are ignored until 24 bits are shifted in. Once 24 bits are shifted in, the SCLK is ignored. For another serial transfer to take place, the counter must be reset by the falling edge of  $\overline{\text{SYNC}}$ .

**Daisy-Chain Mode**

For systems that contain several DACs, the SDO pin can be used to daisy-chain several devices together. This daisy-chain mode can be useful in system diagnostics and in reducing the number of serial interface lines.

Connecting the DCEN (daisy-chain enable) pin high enables daisy-chain mode. The first falling edge of  $\overline{\text{SYNC}}$  starts the write cycle. The SCLK is continuously applied to the input shift register when  $\overline{\text{SYNC}}$  is low. If more than 24 clock pulses are applied, the data ripples out of the shift register and appears on the SDO line. This data is clocked out on the rising edge of SCLK and is valid on the falling edge. By connecting this line to the DIN input on the next device in the chain, a multidevice interface is constructed. For each AD5378 in the system, 24 clock pulses are required. Therefore, the total number of

clock cycles must equal  $24N$ , where  $N$  is the total number of AD5378 devices in the chain. If fewer than 24 clocks are applied, the write sequence is ignored.

When the serial transfer to all devices is complete,  $\overline{\text{SYNC}}$  should be taken high. This latches the input data in each device in the daisy chain and prevents any additional data from being clocked into the input shift register.

A continuous SCLK source can be used if  $\overline{\text{SYNC}}$  is held low for the correct number of clock cycles. Alternatively, a burst clock containing the exact number of clock cycles can be used and  $\overline{\text{SYNC}}$  taken high after the final clock to latch the data.

When the transfer to all input registers is complete, a common  $\overline{\text{LDAC}}$  signal updates all DAC registers, and all analog outputs are updated simultaneously.

# AD5378

## DATA DECODING

The AD5378 contains a 14-bit data bus, DB13 to DB0. Depending on the value of REG1 and REG0, this data is loaded into the addressed DAC input register(s), offset (c) register(s), gain (m) register(s), or the special function register.

**Table 13. DAC Data Format (REG1 = 1, REG0 = 1)**

DB13 to DB0	DAC Output
11 1111 1111 1111	(16383/16384) $V_{REF(+)} V$
11 1111 1111 1110	(16382/16384) $V_{REF(+)} V$
10 0000 0000 0001	(8193/16384) $V_{REF(+)} V$
10 0000 0000 0000	(8192/16384) $V_{REF(+)} V$
01 1111 1111 1111	(8191/16384) $V_{REF(+)} V$
00 0000 0000 0001	(1/16384) $V_{REF(+)} V$
00 0000 0000 0000	0 V

**Table 14. Offset Data Format (REG1 = 1, REG0 = 0)**

DB13 to DB0	Offset (LSB)
11 1111 1111 1111	+8191
11 1111 1111 1110	+8190
10 0000 0000 0001	+1
10 0000 0000 0000	+0
01 1111 1111 1111	-1
00 0000 0000 0001	-8191
00 0000 0000 0000	-8192

**Table 15. Gain Data Format (REG1 = 0, REG0 = 1)**

DB12 to DB1	Gain
1 1111 1111 1111	8192/8192
1 1111 1111 1110	8191/8192
1 0000 0000 0001	4098/8192
1 0000 0000 0000	4097/8192
0 1111 1111 1111	4096/8192
0 0000 0000 0001	2/8192
0 0000 0000 0000	1/8192

**Table 16. Special Function Data Format (REG1 = 0, REG0 = 0)**

DB13 to DB0	Increment/Decrement Step (LSB)
00000 10 1111111	+127
00000 10 0000111	+7
00000 10 0000001	+1
00000 X0 0000000	0
00000 00 0000001	-1
00000 00 0000111	-7
00000 00 1111111	-128

**Table 17. Soft Reset (REG1 = 0, REG0 = 0)**

DB13 to DB0	DAC Output
11 1111 1111 1111	REFGND



## ADDRESS DECODING

The AD5378 contains an 8-bit address bus, A7 to A0. This address bus allows each DAC input register (x1), each offset (c) register, and each gain (m) register to be individually updated.

The REG1 and REG0 bits in the special function register (SFR) (see Table 10) show the decoding for data, offset, and gain registers. When all 32 DAC channels are selected, Address Bits A[3:0] are ignored.

**Table 18. DAC Group Addressing**

A7	A6	A5	A4	Group
0	0	0	0	All 32 DACs
0	0	0	1	Group A
0	0	1	0	Group B
0	0	1	1	Groups A, B
0	1	0	0	Group C
0	1	0	1	Groups A, C
0	1	1	0	Groups B, C
0	1	1	1	Groups A, B, C
1	0	0	0	Group D
1	0	0	1	Groups A, D
1	0	1	0	Groups B, D
1	0	1	1	Groups A, B, D
1	1	0	0	Groups C, D
1	1	0	1	Groups A, C, D
1	1	1	0	Groups B, C, D
1	1	1	1	Groups A, B, C, D

A3	A2	A1	A0	Data/Offset/Gain/INC-DEC Register
0	0	0	0	Register 0
0	0	0	1	Register 1
0	0	1	0	Register 2
0	0	1	1	Register 3
0	1	0	0	Register 4
0	1	0	1	Register 5
1	0	0	0	Register 6
1	0	0	1	Register 7

## POWER SUPPLY DECOUPLING

In any circuit where accuracy is important, careful consideration of the power supply and ground return layout helps to ensure the rated performance. The printed circuit board on which the AD5378 is mounted should be designed so that the analog and digital sections are separated and confined to certain areas of the board. If the AD5378 is in a system where multiple devices require an AGND-to-DGND connection, the connection should be made at one point only. The star ground point should be established as close as possible to the device. For supplies with multiple pins ( $V_{SS}$ ,  $V_{DD}$ ,  $V_{CC}$ ), it is recommended to tie these pins together and to decouple each supply once.

The AD5378 should have ample supply decoupling of 10  $\mu\text{F}$  in parallel with 0.1  $\mu\text{F}$  on each supply located as close to the package as possible, ideally right up against the device. The 10  $\mu\text{F}$  capacitors are the tantalum bead type. The 0.1  $\mu\text{F}$  capacitor should have low effective series resistance (ESR) and effective series inductance (ESI), such as the common ceramic types that provide a low impedance path to ground at high frequencies, to handle transient currents due to internal logic switching.

Digital lines running under the device should be avoided, because these couple noise onto the device. The analog ground plane should be allowed to run under the AD5378 to avoid noise coupling. The power supply lines of the AD5378 should use as large a trace as possible to provide low impedance paths

and reduce the effects of glitches on the power supply line. Fast switching digital signals should be shielded with digital ground to avoid radiating noise to other parts of the board, and should never be run near the reference inputs. It is essential to minimize noise on all  $V_{REF(+)}$  and  $V_{REF(-)}$  lines. The  $V_{BIAS}$  pin should be decoupled with a 10 nF capacitor to AGND.

Avoid crossover of digital and analog signals. Traces on opposite sides of the board should run at right angles to each other. This reduces the effects of feedthrough through the board. A microstrip technique is by far the best, but not always possible with a double-sided board. In this technique, the component side of the board is dedicated to ground plane, while signal traces are placed on the solder side.

As for all thin packages, care must be taken to avoid flexing the CSPBGA package and to avoid a point load on the surface of this package during the assembly process.

### POWER-ON

An on-chip power supply monitor makes the AD5378 robust to power sequencing. The supply monitor powers up the analog section after ( $V_{DD} - V_{SS}$ ) is greater than 7 V (typical). The output buffers power up in  $\overline{\text{CLR}}$  mode forced to the DUTGND potential, even if  $V_{CC}$  remains at 0 V. After  $V_{SS}$  is applied, the analog circuitry powers up and the buffered DAC output level settles linearly within the supply range.

## TYPICAL APPLICATION CIRCUIT

The high channel count of the AD5378 makes it well suited to applications requiring high levels of integration such as optical and automatic test equipment (ATE) systems. Figure 22 shows the AD5378 as it is used in an ATE system. Shown here is one pin of a typical logic tester. It is apparent that a number of discrete levels are required for the pin driver, active load circuit, parametric measurement unit, comparators, and clamps.

In addition to the DAC levels required in the ATE system shown, drivers, loads, comparators, and parametric measurement unit functions are also required. Analog Devices provides solutions for all these functions.

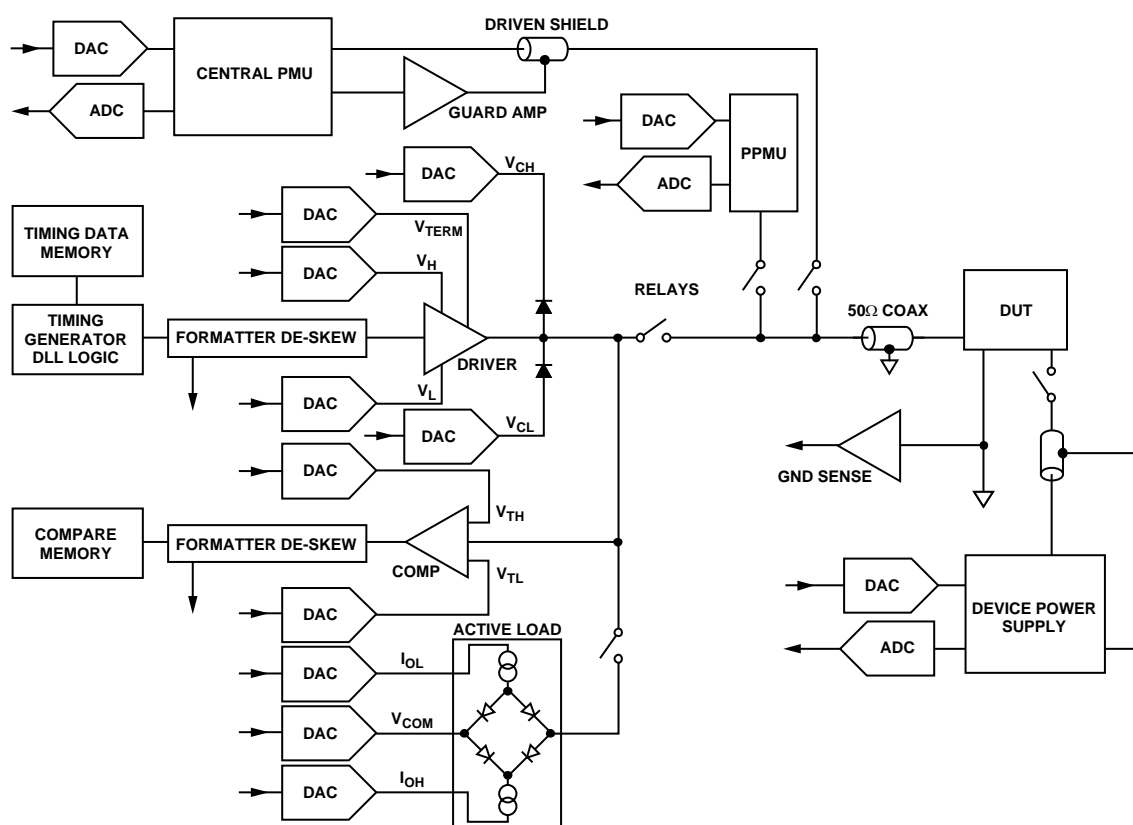
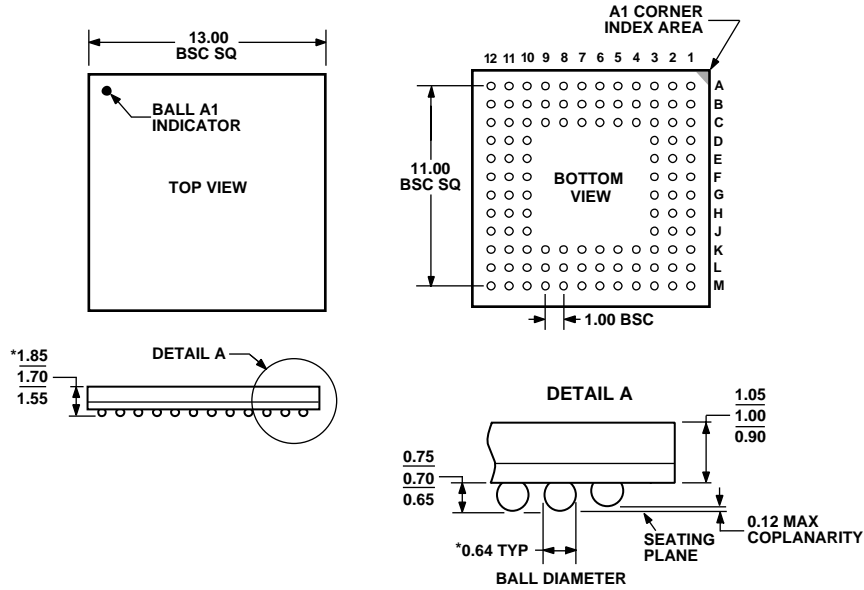


Figure 22. Typical Application Circuit for Logic Tester

06282-022

AD5378

## OUTLINE DIMENSIONS



\*COMPLIANT WITH JEDEC STANDARDS MO-192-AAD-1  
WITH THE EXCEPTION OF PACKAGE HEIGHT AND BALL DIAMETER.

Figure 23. 108-Lead Chip Scale Ball Grid Array [CSPBGA]  
(BC-108-2)  
Dimensions shown in millimeters

## ORDERING GUIDE

Model	Temperature Range	Linearity Error (LSBs)	Package Description	Package Option
AD5378ABC	-40°C to +85°C	±3	108-Lead CSPBGA	BC-108-2
AD5378ABCZ <sup>1</sup>	-40°C to +85°C	±3	108-Lead CSPBGA	BC-108-2

<sup>1</sup> Z = Pb-free part.



中发网 WWW.ZFA.CN

全球最大的PDF中文下载站



**中发网**  
www.zfa.cn

**PDF 资料下载尽在中发网**



中发网 WWW.ZFA.CN

全球最大的PDF中文下载站



**中发网**  
www.zfa.cn

**PDF 资料下载尽在中发网**