



LTC3803-5

Constant Frequency Current Mode Flyback DC/DC Controller in ThinSOT

FEATURES

- V_{IN} and V_{OUT} Limited Only by External Components
- 4.8V Undervoltage Lockout Threshold
- Operating Junction Temperature from -40°C to 150°C
- Adjustable Slope Compensation
- Internal Soft-Start
- Constant Frequency 200kHz Operation
- $\pm 1.5\%$ Reference Accuracy
- Current Mode Operation for Excellent Line and Load Transient Response
- No Minimum Load Requirement
- Low Quiescent Current: 240 μA
- Low Profile (1mm) SOT-23 Package

APPLICATIONS

- 42V and 12V Automotive Power Supplies
- Telecom Power Supplies
- Auxiliary/Housekeeping Power Supplies
- Power Over Ethernet

LT, LTC and LT are registered trademarks of Linear Technology Corporation.
ThinSOT is a trademark of Linear Technology Corporation.
All other trademarks are the property of their respective owners.

DESCRIPTION

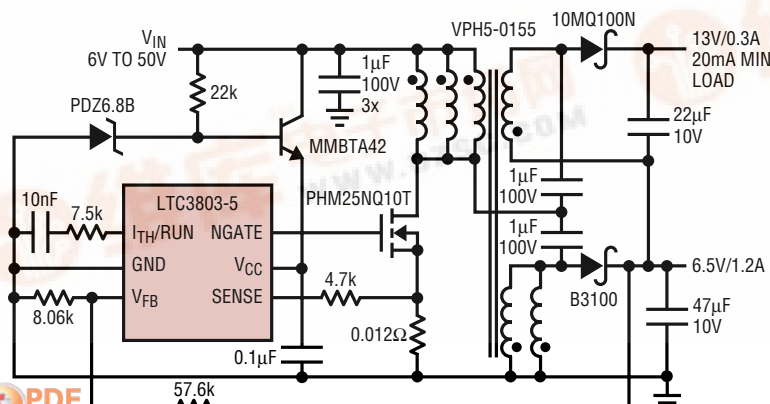
The LTC[®]3803-5 is a constant frequency current mode flyback controller optimized for driving 4.5V and 6V-rated N-channel MOSFETs in high input voltage applications. The LTC3803-5 operates from inputs as low as 5V. Constant frequency operation is maintained down to very light loads, resulting in less low frequency noise generation over a wide range of load currents. Slope compensation can be programmed with an external resistor.

The LTC3803-5 provides $\pm 1.5\%$ output voltage accuracy and consumes only 240 μA of quiescent current. Ground-referenced current sensing allows LTC3803-5-based converters to accept input supplies beyond the LTC3803-5's absolute maximum V_{CC} . For simplicity, the LTC3803-5 can be powered from a high V_{IN} through a resistor, due to its internal 8V shunt regulator. An internal undervoltage lockout shuts down the IC when the input voltage falls below 3.2V, guaranteeing at least 3.2V of gate drive to the external MOSFET.

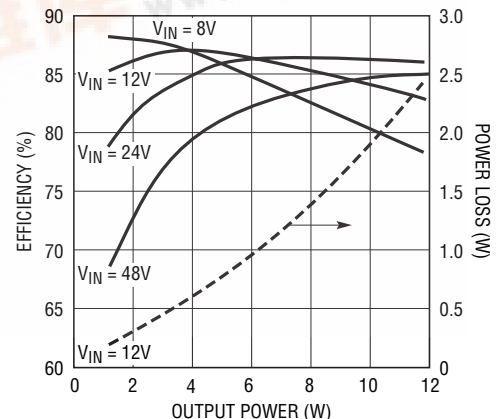
The LTC3803-5 is available in a low profile (1mm) 6-lead SOT-23 (ThinSOT[™]) package.

TYPICAL APPLICATION

Dual Output Wide Input Range Converter



Efficiency and Power Loss vs Output Power



LTC3803-5

ABSOLUTE MAXIMUM RATINGS

(Note 1)

V_{CC} to GND (Current Fed)	25mA into V_{CC}^*
NGATE Voltage	-0.3V to V_{CC}
V_{FB} , I_{TH}/RUN Voltages	-0.3V to 3.5V
SENSE Voltage	-0.3V to 1V
NGATE Peak Output Current (<10 μ s)	1A
Operating Junction Temperature Range (Note 2)	
LTC3803E-5	-40°C to 85°C
LTC3803H-5 (Note 3)	-40°C to 150°C
Storage Temperature Range	-65°C to 150°C
Lead Temperature (Soldering, 10 sec)	300°C

*LTC3803-5 internal clamp circuit self regulates V_{CC} voltage to 8V.

PACKAGE/ORDER INFORMATION

ORDER PART NUMBER	S6 PART MARKING
LTC3803HS6-5 LTC3803ES6-5	LTBMH LTBPF
Order Options Tape and Reel: Add #TR Lead Free: Add #PBF Lead Free Tape and Reel: Add #TRPBF Lead Free Part Marking: http://www.linear.com/leadfree/	

Consult LTC Marketing for parts specified with wider operating temperature ranges.

ELECTRICAL CHARACTERISTICS

LTC3803E-5: The ● indicates specifications which apply over the full -40°C to 85°C operating junction temperature range, otherwise specifications are at $T_J = 25^\circ\text{C}$. $V_{CC} = 5\text{V}$, unless otherwise noted. (Note 2)

SYMBOL	PARAMETER	CONDITIONS	MIN	TYP	MAX	UNITS
V_{TURNON}	V_{CC} Turn On Voltage		● 4	4.8	5.7	V
$V_{TURNOFF}$	V_{CC} Turn Off Voltage		● 3.3	4	4.9	V
V_{HYST}	V_{CC} Hysteresis	$V_{TURNON} - V_{TURNOFF}$	● 0.05	0.8		V
$V_{CLAMP1mA}$	V_{CC} Shunt Regulator Voltage	$I_{CC} = 1\text{mA}$, $V_{ITH}/RUN = 0\text{V}$	● 6.2	8	9.9	V
$V_{CLAMP25mA}$	V_{CC} Shunt Regulator Voltage	$I_{CC} = 25\text{mA}$, $V_{ITH}/RUN = 0\text{V}$	● 6.3	8.1	10.3	V
I_{CC}	Input DC Supply Current	(Note 4)				
	Normal Operation	$V_{ITH}/RUN = 1.3\text{V}$		240	350	μA
	Undervoltage	$V_{CC} = V_{TURNON} - 100\text{mV}$	●	40	90	μA
$V_{ITHSHDN}$	Shutdown Threshold (at I_{TH}/RUN)	$V_{CC} = V_{TURNON} + 100\text{mV}$	● 0.12	0.28	0.45	V
$I_{THSTART}$	Start-Up Current Source	$V_{ITH}/RUN = 0\text{V}$	● 0.07	0.34	0.8	μA
V_{FB}	Regulated Feedback Voltage	0°C ≤ T_J ≤ 85°C (Note 5) -40°C ≤ T_J ≤ 85°C (Note 5)	● 0.788	0.800	0.812	V
			0.780	0.800	0.816	V
g_m	Error Amplifier Transconductance	I_{TH}/RUN Pin Load = ±5 μA (Note 5)		200	333	$\mu\text{A}/\text{V}$
$\Delta V_{O(LINE)}$	Output Voltage Line Regulation	$V_{TURNOFF} < V_{CC} < V_{CLAMP}$ (Note 5)		0.1		mV/V
$\Delta V_{O(LOAD)}$	Output Voltage Load Regulation	I_{TH}/RUN Sinking 5 μA (Note 5) I_{TH}/RUN Sourcing 5 μA (Note 5)		3		mV/ μA
				3		mV/ μA
I_{FB}	V_{FB} Input Current	(Note 5)		10	50	nA
f_{OSC}	Oscillator Frequency	$V_{ITH}/RUN = 1.3\text{V}$	170	200	230	kHz
$DC_{ON(MIN)}$	Minimum Switch On Duty Cycle	$V_{ITH}/RUN = 1.3\text{V}$, $V_{FB} = 0.8\text{V}$		6.5	8.5	%
$DC_{ON(MAX)}$	Maximum Switch On Duty Cycle	$V_{ITH}/RUN = 1.3\text{V}$, $V_{FB} = 0.8\text{V}$	70	80	90	%
t_{RISE}	Gate Drive Rise Time	$C_{LOAD} = 3000\text{pF}$		40		ns
t_{FALL}	Gate Drive Fall Time	$C_{LOAD} = 3000\text{pF}$		40		ns
V_{IMAX}	Peak Current Sense Voltage	$R_{SL} = 0$ (Note 6)	● 90	100	115	mV
I_{SLMAX}	Peak Slope Compensation Output Current	(Note 7)		5		μA
t_{SFST}	Soft-Start Time			0.7		ms

ELECTRICAL CHARACTERISTICS

LTC3803H-5: The ● indicates specifications which apply over the full -40°C to 150°C operating temperature range, otherwise specifications are at $T_A = 25^{\circ}\text{C}$. $V_{CC} = 5\text{V}$, unless otherwise noted. (Notes 2, 3)

SYMBOL	PARAMETER	CONDITIONS	MIN	TYP	MAX	UNITS
V_{TURNON}	V_{CC} Turn On Voltage		● 3.9	4.8	5.7	V
V_{TURNOFF}	V_{CC} Turn Off Voltage		● 3.2	4	4.9	V
V_{HYST}	V_{CC} Hysteresis	$V_{\text{TURNON}} - V_{\text{TURNOFF}}$	● 0.05	0.8		V
V_{CLAMP1mA}	V_{CC} Shunt Regulator Voltage	$I_{CC} = 1\text{mA}$, $V_{\text{ITH/RUN}} = 0\text{V}$	● 6.2	8	10.4	V
$V_{\text{CLAMP25mA}}$	V_{CC} Shunt Regulator Voltage	$I_{CC} = 25\text{mA}$, $V_{\text{ITH/RUN}} = 0\text{V}$	● 6.3	8.1	10.7	V
I_{CC}	Input DC Supply Current Normal Operation Undervoltage	(Note 4) $V_{\text{ITH/RUN}} = 1.3\text{V}$ $V_{CC} = V_{\text{TURNON}} - 100\text{mV}$	●	240 40	350 100	μA μA
V_{ITHSHDN}	Shutdown Threshold (at $I_{\text{TH/RUN}}$)	$V_{CC} = V_{\text{TURNON}} + 100\text{mV}$	● 0.08	0.28	0.45	V
I_{THSTART}	Start-Up Current Source	$V_{\text{ITH/RUN}} = 0\text{V}$	● 0.07	0.34	1	μA
V_{FB}	Regulated Feedback Voltage	$0^{\circ}\text{C} \leq T_J \leq 85^{\circ}\text{C}$ (Note 5) $-40^{\circ}\text{C} \leq T_J \leq 150^{\circ}\text{C}$ (Note 5)	● 0.788 0.780	0.800 0.800	0.812 0.820	V V
g_m	Error Amplifier Transconductance	$I_{\text{TH/RUN}}$ Pin Load = $\pm 5\mu\text{A}$ (Note 5)	200	333	500	$\mu\text{A/V}$
$\Delta V_{\text{O(LINE)}}$	Output Voltage Line Regulation	$V_{\text{TURNOFF}} < V_{CC} < V_{\text{CLAMP}}$ (Note 5)		0.1		mV/V
$\Delta V_{\text{O(LOAD)}}$	Output Voltage Load Regulation	$I_{\text{TH/RUN}}$ Sinking $5\mu\text{A}$ (Note 5) $I_{\text{TH/RUN}}$ Sourcing $5\mu\text{A}$ (Note 5)		3 3		mV/ μA mV/ μA
I_{FB}	V_{FB} Input Current	(Note 5)		10	50	nA
f_{OSC}	Oscillator Frequency	$V_{\text{ITH/RUN}} = 1.3\text{V}$	170	200	230	kHz
$\text{DC}_{\text{ON(MIN)}}$	Minimum Switch On Duty Cycle	$V_{\text{ITH/RUN}} = 1.3\text{V}$, $V_{\text{FB}} = 0.8\text{V}$		6.5	8.5	%
$\text{DC}_{\text{ON(MAX)}}$	Maximum Switch On Duty Cycle	$V_{\text{ITH/RUN}} = 1.3\text{V}$, $V_{\text{FB}} = 0.8\text{V}$	70	80	90	%
t_{RISE}	Gate Drive Rise Time	$C_{\text{LOAD}} = 3000\text{pF}$		40		ns
t_{FALL}	Gate Drive Fall Time	$C_{\text{LOAD}} = 3000\text{pF}$		40		ns
V_{IMAX}	Peak Current Sense Voltage	$R_{\text{SL}} = 0$ (Note 6)	● 85	100	115	mV
I_{SLMAX}	Peak Slope Compensation Output Current	(Note 7)		5		μA
t_{SFST}	Soft-Start Time			0.7		ms

Note 1: Absolute Maximum Ratings are those values beyond which the life of a device may be impaired.

Note 2: The LTC3803H-5 is guaranteed to meet specifications from -40°C to 150°C . The LTC3803E-5 is guaranteed to meet specifications from 0°C to 85°C with specifications over the -40°C to 85°C temperature range assured by design, characterization and correlation with statistical process controls.

Junction temperature (T_J) is calculated from the ambient temperature T_A and the power dissipation P_D in the LTC3803-5 using the formula:

$$T_J = T_A + (P_D \cdot 230^{\circ}\text{C/W})$$

Note 3: High junction temperatures degrade operating lifetimes. Operating

lifetime at junction temperatures greater than 125°C is derated to 1000 hours.

Note 4: Dynamic supply current is higher due to the gate charge being delivered at the switching frequency.

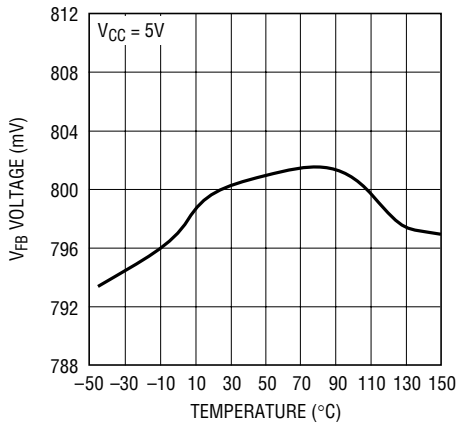
Note 5: The LTC3803-5 is tested in a feedback loop that serves V_{FB} to the output of the error amplifier while maintaining $I_{\text{TH/RUN}}$ at the midpoint of the current limit range.

Note 6: Peak current sense voltage is reduced dependent on duty cycle and an optional external resistor in series with the SENSE pin (R_{SL}). For details, refer to the programmable slope compensation feature in the Applications Information section.

Note 7: Guaranteed by design.

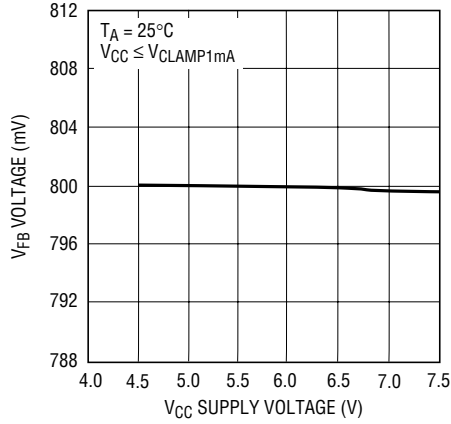
TYPICAL PERFORMANCE CHARACTERISTICS

Reference Voltage vs Temperature



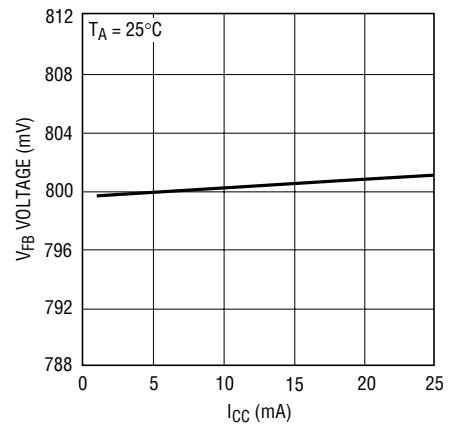
38035 G01

Reference Voltage vs Supply Voltage



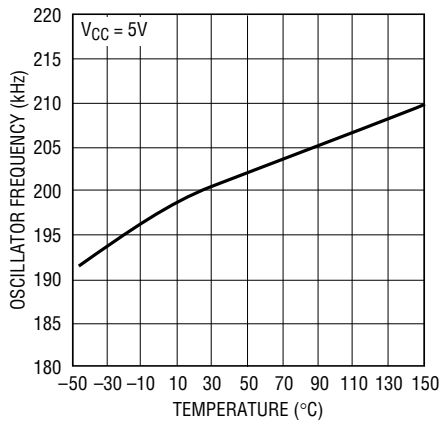
38035 F02

Reference Voltage vs VCC Shunt Regulator Current



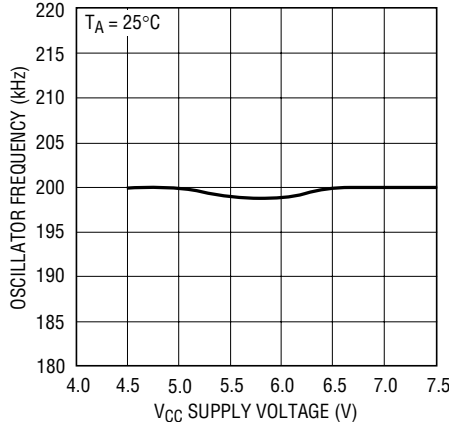
38035 G03

Oscillator Frequency vs Temperature



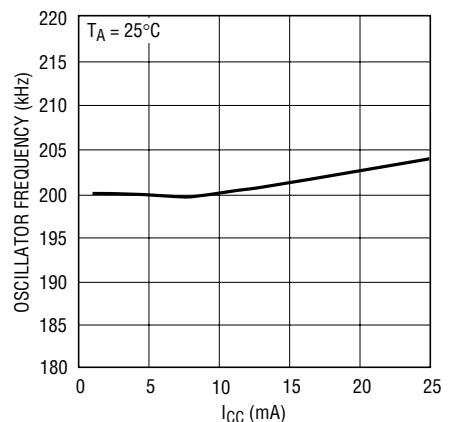
38035 G04

Oscillator Frequency vs Supply Voltage



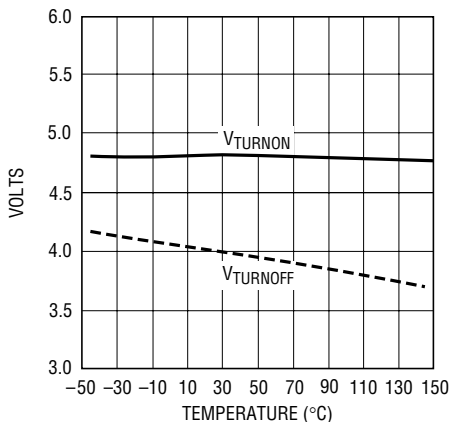
38035 G05

Oscillator Frequency vs VCC Shunt Regulator Current



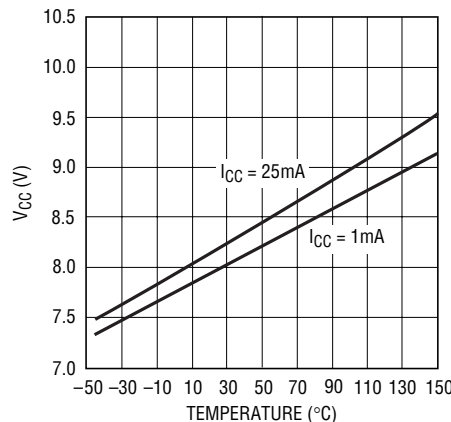
38035 G06

VCC Undervoltage Lockout Thresholds vs Temperature



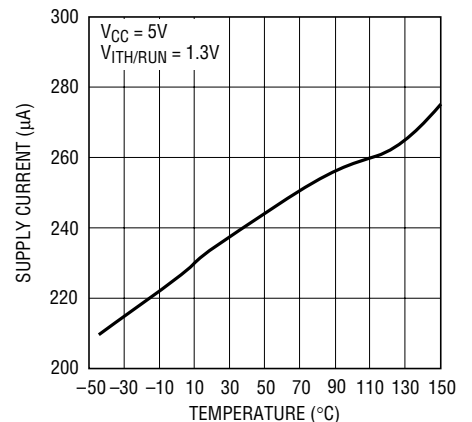
3803 G07

VCC Shunt Regulator Voltage vs Temperature



38035 G08

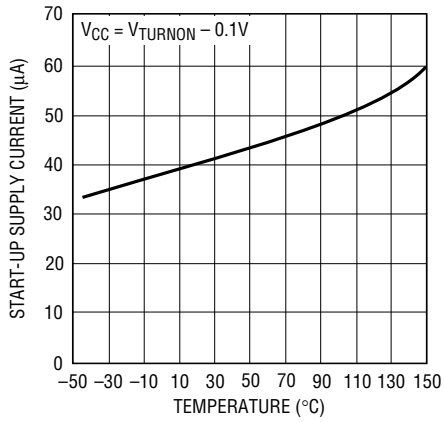
ICC Supply Current vs Temperature



38035 G08

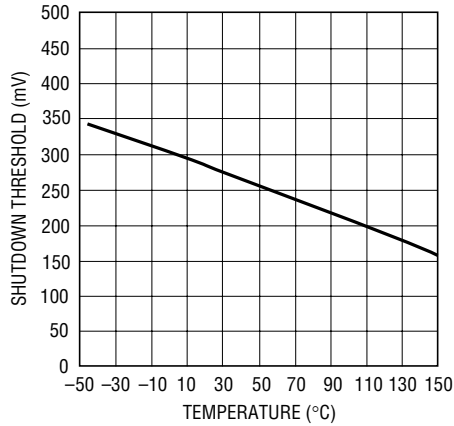
TYPICAL PERFORMANCE CHARACTERISTICS

Start-Up I_{CC} Supply Current vs Temperature



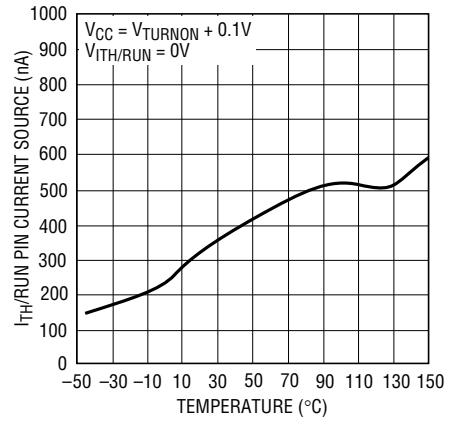
38035 G10

I_{TH} /RUN Shutdown Threshold vs Temperature



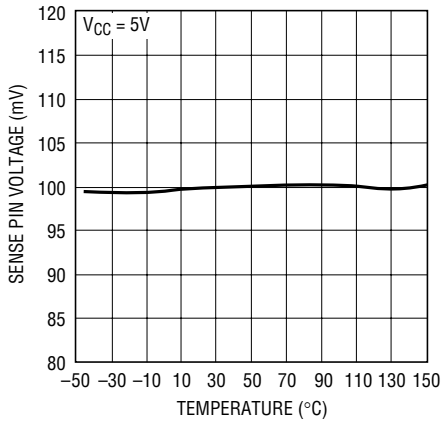
3803 G11

I_{TH} /RUN Start-Up Current Source vs Temperature



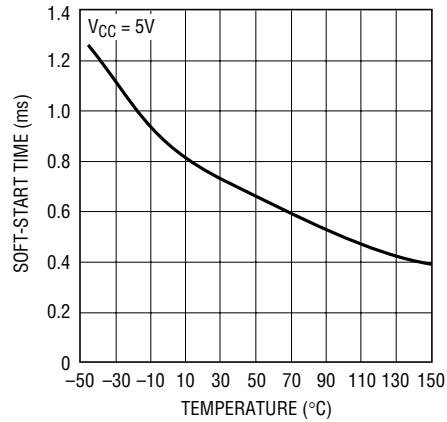
38035 G12

Peak Current Sense Voltage vs Temperature



38035 G13

Soft-Start Time vs Temperature



38035 G14

PIN FUNCTIONS

I_{TH}/RUN (Pin 1): This pin performs two functions. It serves as the error amplifier compensation point as well as the run/shutdown control input. Nominal voltage range is 0.7V to 1.9V. Forcing this pin below 0.28V causes the LTC3803-5 to shut down. In shutdown mode, the NGATE pin is held low.

GND (Pin 2): Ground Pin.

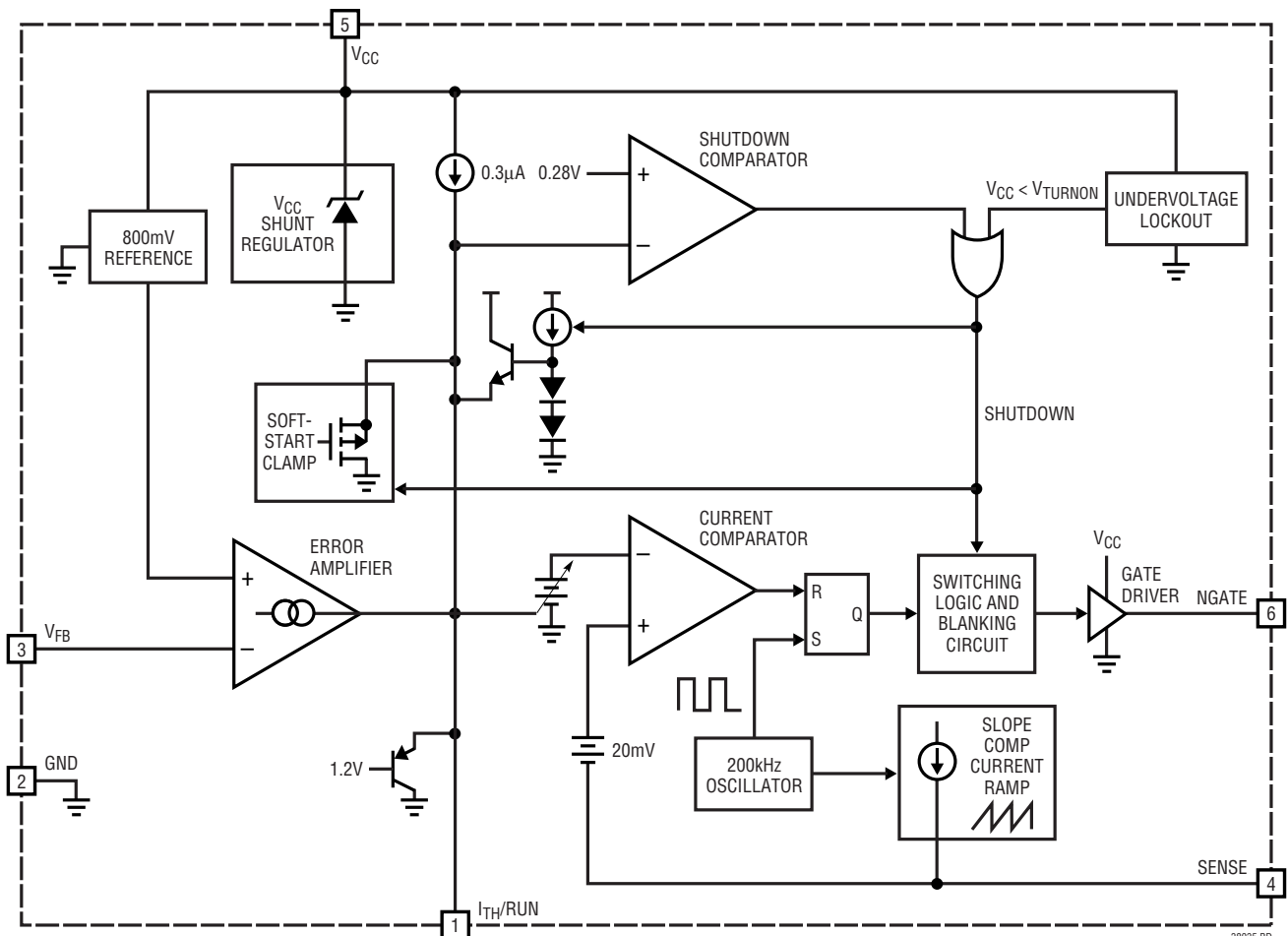
V_{FB} (Pin 3): Receives the feedback voltage from an external resistive divider across the output.

SENSE (Pin 4): This pin performs two functions. It monitors switch current by reading the voltage across an external current sense resistor to ground. It also injects a current ramp that develops slope compensation voltage across an optional external programming resistor.

V_{CC} (Pin 5): Supply Pin. Must be closely decoupled to GND (Pin 2).

NGATE (Pin 6): Gate Drive for the External N-Channel MOSFET. This pin swings from 0V to V_{CC}.

BLOCK DIAGRAM



38035 BD

OPERATION

The LTC3803-5 is a constant frequency current mode controller for flyback, SEPIC and DC/DC boost converter applications in a tiny ThinSOT package. The LTC3803-5 is designed so that none of its pins need to come in contact with the input or output voltages of the power supply circuit of which it is a part, allowing the conversion of voltages well beyond the LTC3803-5's absolute maximum ratings.

Main Control Loop

Due to space limitations, the basics of current mode DC/DC conversion will not be discussed here; instead, the reader is referred to the detailed treatment in Application Note 19, or in texts such as Abraham Pressman's *Switching Power Supply Design*.

Please refer to the Block Diagram and the Typical Application on the front page of this data sheet. An external resistive voltage divider presents a fraction of the output voltage to the V_{FB} pin. The divider must be designed so that when the output is at the desired voltage, the V_{FB} pin voltage will equal the 800mV from the internal reference. If the load current increases, the output voltage will decrease slightly, causing the V_{FB} pin voltage to fall below 800mV. The error amplifier responds by feeding current into the I_{TH}/RUN pin. If the load current decreases, the V_{FB} voltage will rise above 800mV and the error amplifier will sink current away from the I_{TH}/RUN pin.

The voltage at the I_{TH}/RUN pin commands the pulse-width modulator formed by the oscillator, current comparator and RS latch. Specifically, the voltage at the I_{TH}/RUN pin sets the current comparator's trip threshold. The current comparator monitors the voltage across a current sense resistor in series with the source terminal of the external MOSFET. The LTC3803-5 turns on the external power MOSFET when the internal free-running 200kHz oscillator sets the RS latch. It turns off the MOSFET when the current comparator resets the latch or when 80% duty cycle is reached, whichever happens first. In this way, the peak current levels through the flyback transformer's primary and secondary are controlled by the I_{TH}/RUN voltage.

Since the I_{TH}/RUN voltage is increased by the error amplifier whenever the output voltage is below nominal, and

decreased whenever output voltage exceeds nominal, the voltage regulation loop is closed. For example, whenever the load current increases, output voltage will decrease slightly, and sensing this, the error amplifier raises the I_{TH}/RUN voltage by sourcing current into the I_{TH}/RUN pin, raising the current comparator threshold, thus increasing the peak currents through the transformer primary and secondary. This delivers more current to the load, bringing the output voltage back up.

The I_{TH}/RUN pin serves as the compensation point for the control loop. Typically, an external series RC network is connected from I_{TH}/RUN to ground and is chosen for optimal response to load and line transients. The impedance of this RC network converts the output *current* of the error amplifier to the I_{TH}/RUN *voltage* which sets the current comparator threshold and commands considerable influence over the dynamics of the voltage regulation loop.

Start-Up/Shutdown

The LTC3803-5 has two shutdown mechanisms to disable and enable operation: an undervoltage lockout on the V_{CC} supply pin voltage, and a forced shutdown whenever external circuitry drives the I_{TH}/RUN pin low. The LTC3803-5 transitions into and out of shutdown according to the state diagram (Figure 1).

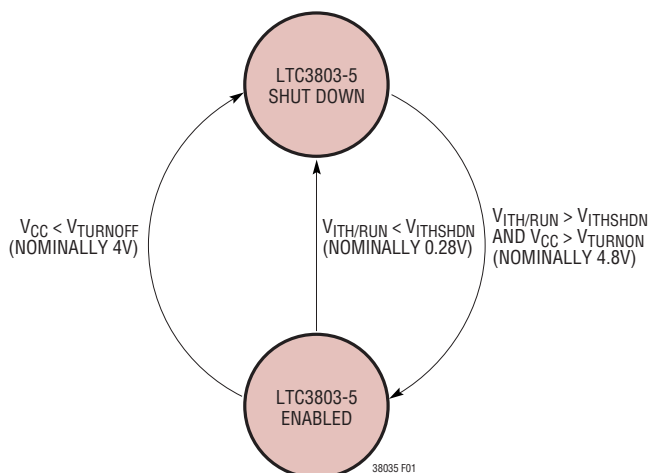


Figure 1. Start-Up/Shutdown State Diagram

OPERATION

The undervoltage lockout (UVLO) mechanism prevents the LTC3803-5 from trying to drive a MOSFET with insufficient V_{GS} . The voltage at the V_{CC} pin must exceed V_{TURNON} (nominally 4.8V) at least momentarily to enable LTC3803-5 operation. The V_{CC} voltage is then allowed to fall to $V_{TURNOFF}$ (nominally 4V) before undervoltage lockout disables the LTC3803-5.

The I_{TH}/RUN pin can be driven below V_{SHDN} (nominally 0.28V) to force the LTC3803-5 into shutdown. An internal 0.3 μ A current source always tries to pull this pin towards V_{CC} . When the I_{TH}/RUN pin voltage is allowed to exceed V_{SHDN} , and V_{CC} exceeds V_{TURNON} , the LTC3803-5 begins to operate and an internal clamp immediately pulls the I_{TH}/RUN pin up to about 0.7V. In operation, the I_{TH}/RUN pin voltage will vary from roughly 0.7V to 1.9V to represent current comparator thresholds from zero to maximum.

Internal Soft-Start

An internal soft-start feature is enabled whenever the LTC3803-5 comes out of shutdown. Specifically, the I_{TH}/RUN voltage is clamped and is prevented from reaching maximum until roughly 0.7ms has passed. This allows the input and output currents of LTC3803-5-based power supplies to rise in a smooth and controlled manner on start-up.

Powering the LTC3803-5

In the simplest case, the LTC3803-5 can be powered from a high voltage supply through a resistor. A built-in shunt regulator from the V_{CC} pin to GND will draw as much current as needed through this resistor to regulate the V_{CC} voltage to around 8.1V as long as the V_{CC} pin is not forced to sink more than 25mA. This shunt regulator is always active, even when the LTC3803-5 is in shutdown, since it serves the vital function of protecting the V_{CC} pin from seeing too much voltage.

The V_{CC} pin must be bypassed to ground immediately adjacent to the IC pins with a ceramic or tantalum capacitor. Proper supply bypassing is necessary to supply the high transient currents required by the MOSFET gate driver. 10 μ F is a good starting point.

Adjustable Slope Compensation

The LTC3803-5 injects a 5 μ A peak current ramp out through its SENSE pin which can be used for slope compensation in designs that require it. This current ramp is approximately linear and begins at zero current at 6.5% duty cycle, reaching peak current at 80% duty cycle. Additional details are provided in the Applications Information section.

APPLICATIONS INFORMATION

Many LTC3803-5 application circuits can be derived from the topology shown in Figure 2.

The LTC3803-5 itself imposes no limits on allowed power output, input voltage V_{IN} or desired regulated output voltage V_{OUT} ; these are all determined by the ratings on the external power components. The key factors are: Q1's maximum drain-source voltage (BV_{DSS}), on-resistance ($R_{DS(ON)}$) and maximum drain current, T1's saturation flux level and winding insulation breakdown voltages, C_{IN} and C_{OUT} 's maximum working voltage, ESR, and maximum ripple current ratings, and D1 and R_{SENSE} 's power ratings.

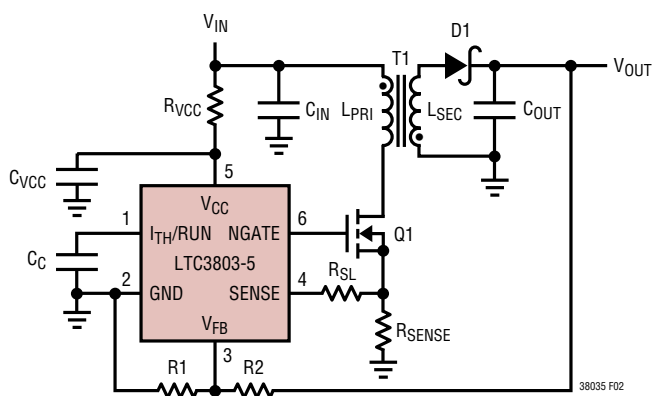


Figure 2. Typical LTC3803-5 Application Circuit

SELECTING FEEDBACK RESISTOR DIVIDER VALUES

The regulated output voltage is determined by the resistor divider across V_{OUT} ($R1$ and $R2$ in Figure 2). The ratio of $R2$ to $R1$ needed to produce a desired V_{OUT} can be calculated:

$$R2 = \frac{V_{OUT} - 0.8V}{0.8V} \cdot R1$$

Choose resistance values for $R1$ and $R2$ to be as large as possible in order to minimize any efficiency loss due to the static current drawn from V_{OUT} , but just small enough so that when V_{OUT} is in regulation, the error caused by the nonzero input current to the V_{FB} pin is less than 1%. A good rule of thumb is to choose $R1$ to be 80k or less.

TRANSFORMER DESIGN CONSIDERATIONS

Transformer specification and design is perhaps the most critical part of applying the LTC3803-5 successfully. In addition to the usual list of caveats dealing with high frequency power transformer design, the following should prove useful.

Turns Ratios

Due to the use of the external feedback resistor divider ratio to set output voltage, the user has relative freedom in selecting transformer turns ratio to suit a given application. Simple ratios of small integers, e.g., 1:1, 2:1, 3:2, etc. can be employed which yield more freedom in setting total turns and mutual inductance. Simple integer turns ratios also facilitate the use of “off-the-shelf” configurable transformers such as the Coiltronics VERSA-PAC™ series in applications with high input to output voltage ratios. For example, if a 6-winding VERSA-PAC is used with three windings in series on the primary and three windings in parallel on the secondary, a 3:1 turns ratio will be achieved.

Turns ratio can be chosen on the basis of desired duty cycle. However, remember that the input supply voltage plus the secondary-to-primary referred version of the flyback pulse (including leakage spike) must not exceed the allowed external MOSFET breakdown rating.

Leakage Inductance

Transformer leakage inductance (on either the primary or secondary) causes a voltage spike to occur after the output switch (Q1) turn-off. This is increasingly prominent at higher load currents, where more stored energy must be dissipated. In some cases a “snubber” circuit will be required to avoid overvoltage breakdown at the MOSFET's drain node. Application Note 19 is a good reference on snubber design.

A bifilar or similar winding technique is a good way to minimize troublesome leakage inductances. However, remember that this will limit the primary-to-secondary breakdown voltage, so bifilar winding is not always practical.

APPLICATIONS INFORMATION

CURRENT SENSE RESISTOR CONSIDERATIONS

The external current sense resistor (R_{SENSE} in Figure 2) allows the user to optimize the current limit behavior for the particular application. As the current sense resistor is varied from several ohms down to tens of milliohms, peak switch current goes from a fraction of an ampere to several amperes. Care must be taken to ensure proper circuit operation, especially with small current sense resistor values.

For example, a peak switch current of 5A requires a sense resistor of 0.020Ω . Note that the instantaneous peak power in the sense resistor is $0.5W$ and it must be rated accordingly. The LTC3803-5 has only a single sense line to this resistor. Therefore, any parasitic resistance in the ground side connection of the sense resistor will increase its apparent value. In the case of a 0.020Ω sense resistor, *one milliohm* of parasitic resistance will cause a 5% reduction in peak switch current. So the resistance of printed circuit copper traces and vias cannot necessarily be ignored.

PROGRAMMABLE SLOPE COMPENSATION

The LTC3803-5 injects a ramping current through its SENSE pin into an external slope compensation resistor (R_{SL} in Figure 2). This current ramp starts at zero right after the NGATE pin has been high for the LTC3803-5's minimum duty cycle of 6.5%. The current rises linearly towards a peak of $5\mu A$ at the maximum duty cycle of 80%, shutting off once the NGATE pin goes low. A series resistor (R_{SL}) connecting the SENSE pin to the current sense resistor (R_{SENSE}) thus develops a ramping voltage drop. From the perspective of the SENSE pin, this ramping voltage adds to the voltage across the sense resistor, effectively reducing the current comparator threshold in proportion to duty cycle. This stabilizes the control loop

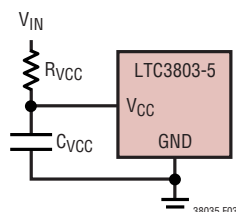


Figure 3. Powering the LTC3803-5 Via the Internal Shunt Regulator

against subharmonic oscillation. The amount of reduction in the current comparator threshold (ΔV_{SENSE}) can be calculated using the following equation:

$$\Delta V_{SENSE} = \frac{\text{Duty Cycle} - 6.5\%}{73.5\%} \cdot 5\mu A \cdot R_{SL}$$

Note: LTC3803-5 enforces $6.5\% < \text{Duty Cycle} < 80\%$.

A good starting value for R_{SL} is $5.9k$, which gives a $30mV$ drop in current comparator threshold at 80% duty cycle. Designs not needing slope compensation may replace R_{SL} with a short circuit.

V_{CC} SHUNT REGULATOR

An internal shunt regulator allows the LTC3803-5 to be powered through a single dropping resistor from V_{IN} to V_{CC} , in conjunction with a bypass capacitor, C_{VCC} , that closely decouples V_{CC} to GND (see Figure 3). The shunt regulator can draw up to 25mA through the V_{CC} pin to GND to drop enough voltage across R_{VCC} to regulate V_{CC} to around 8V. For applications where V_{IN} is low enough such that the static power dissipation in R_{VCC} is acceptable, using the V_{CC} shunt regulator is the simplest way to power the LTC3803-5.

EXTERNAL PREREGULATOR

The circuit in Figure 4 shows another way to power the LTC3803-5. An external series preregulator consisting of series pass transistor Q1, Zener diode D1, and bias resistor R_B brings V_{CC} above the V_{CC} turn-on threshold, enabling the LTC3803-5.

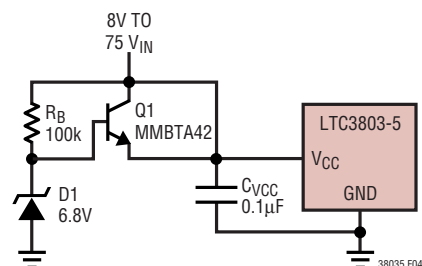
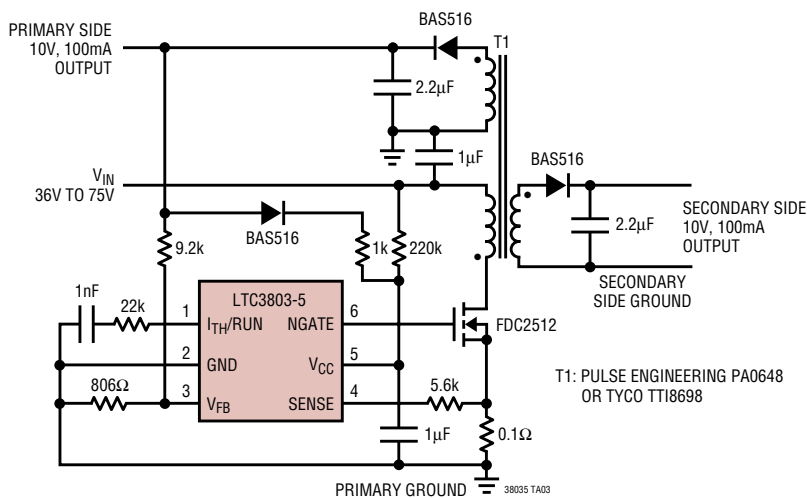


Figure 4. Powering the LTC3803-5 with an External Preregulator

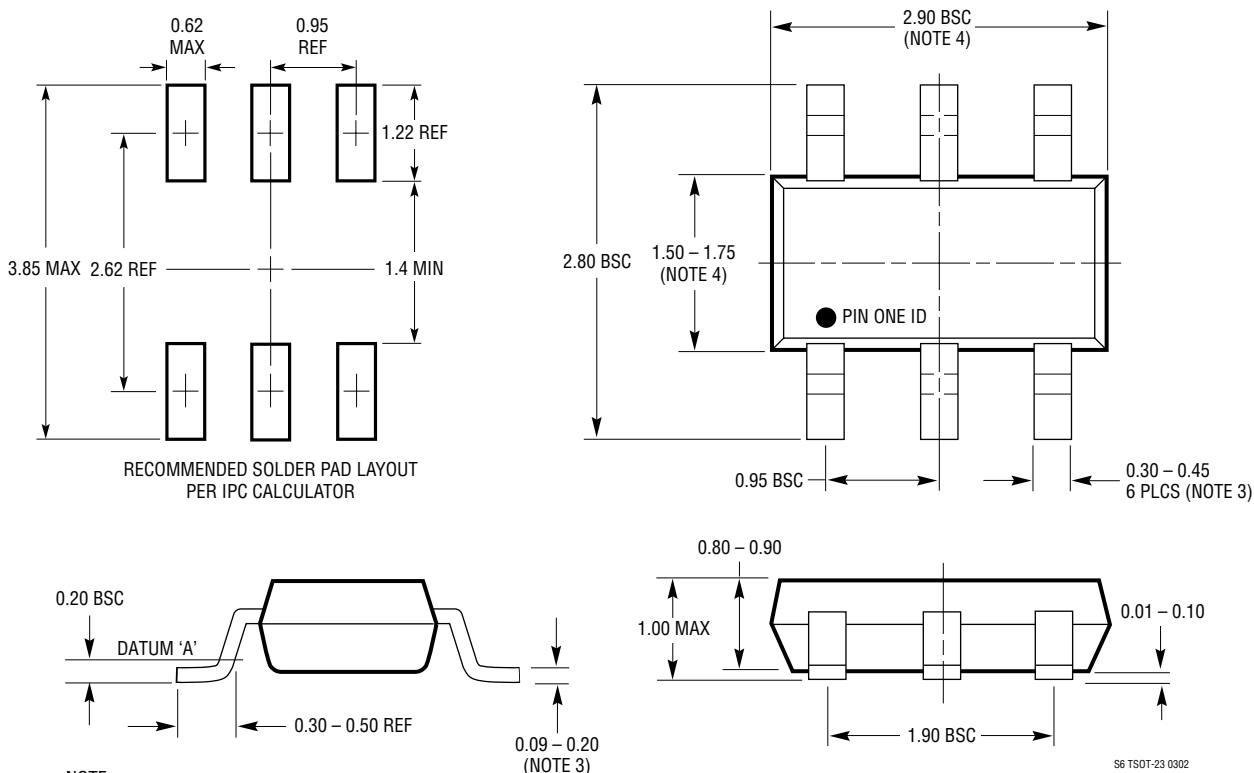
TYPICAL APPLICATIONS

2W Isolated Housekeeping Telecom Converter



PACKAGE DESCRIPTION

S6 Package 6-Lead Plastic TSOT-23 (Reference LTC DWG # 05-08-1636)

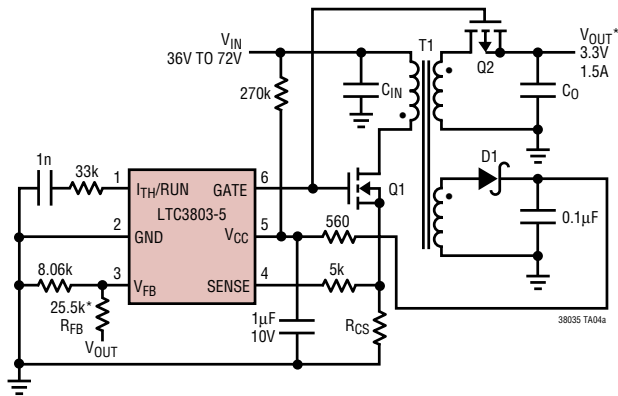


- NOTE:
1. DIMENSIONS ARE IN MILLIMETERS
 2. DRAWING NOT TO SCALE
 3. DIMENSIONS ARE INCLUSIVE OF PLATING
 4. DIMENSIONS ARE EXCLUSIVE OF MOLD FLASH AND METAL BURR
 5. MOLD FLASH SHALL NOT EXCEED 0.254mm
 6. JEDEC PACKAGE REFERENCE IS MO-193

LTC3803-5

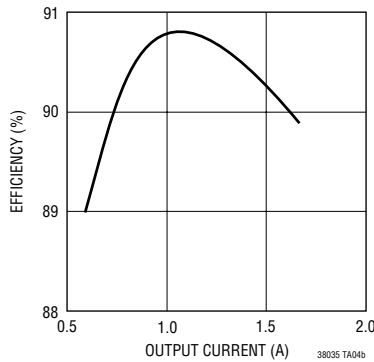
TYPICAL APPLICATIONS

90% Efficient Synchronous Flyback Converter

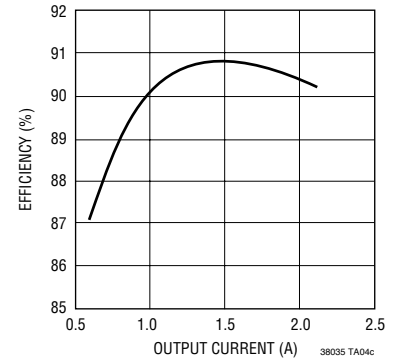


T1: PULSE ENGINEERING PA1006
 Q1: FAIRCHILD FDC2512
 Q2: VISHAY Si9803
 D1: PHILIPS BAS516
 C_{IN}: TDK 1μF, 100V, X5R
 C_O: TDK 100μF, 6.3V, X5R
 R_{CS}: VISHAY OR IRC, 80mΩ
 *FOR 5V OUTPUT CHANGE
 R_{FB} TO 42.2k

Synchronous Flyback 3.3V_{OUT}



Synchronous Flyback 5V_{OUT}



RELATED PARTS

PART NUMBER	DESCRIPTION	COMMENTS
LT [®] 1425	Isolated Flyback Switching Regulator with No External Power Devices	No Optoisolator or “Third Winding” Required, Up to 6W Output
LT1725	General Purpose Isolated Flyback Controller	No Optoisolator Required, V _{IN} and V _{OUT} Limited Only by External Power Components
LTC1772	SOT-23 Constant Frequency Current Mode Step-Down DC/DC Controller	550kHz Switching Frequency, 2.4V to 9.8V V _{IN} Range
LTC1871	Wide Input Range, No R _{SENSE} [™] Current Mode Flyback, Boost and SEPIC Controller	Adjustable Switching Frequency, Programmable Undervoltage Lockout, Optional Burst Mode [®] Operation at Light Load
LTC1872	SOT-23 Constant Frequency Current Mode Boost DC/DC Controller	550kHz Switching Frequency, 2.4V to 9.8V V _{IN} Range
LT1950	Current Mode PWM Controller	Controller for Forward Converters from 30W to 300W
LT1952	Current Mode PWM Controller	Synchronous Controller for Forward Converters from 30W to 500W
LT3420	Photoflash Capacitor Charger with Automatic Refresh	Specialized Flyback Charges High Voltage Photoflash Capacitors Quickly and Efficiently
LT3468/LT3468-1	Photoflash Capacitor Charger in 5-Pin SOT-23	Minimal Component Count, Uses Small Transformers; V _{IN} from 2.5V to 16V
LTC3806	Synchronous Flyback Controller	High Efficiency (89%); Multiple Output with Excellent Cross Regulation
LTC4441	6A N-Channel MOSFET Driver	Gate Drive Adjustable from 5V to 8V, Adjustable Blanking Prevents Ringing, 10-Lead MSSOP Package

Burst Mode is a registered trademark of Linear Technology Corporation. No R_{SENSE} is a trademark of Linear Technology Corporation.