

**New**

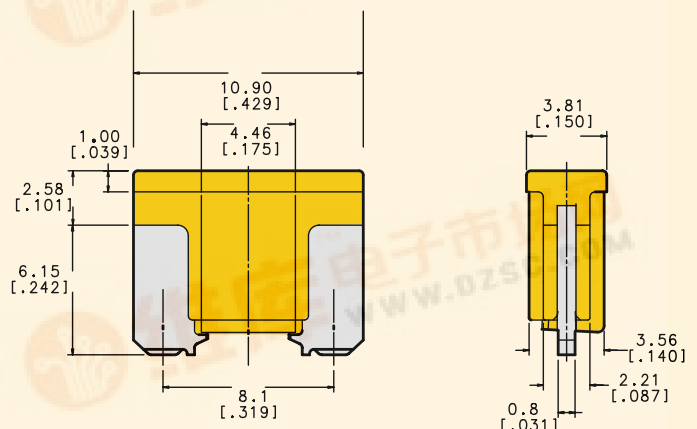
# Low Profile MINI® Fuses



The Low Profile Mini fuse has similar performance characteristics as the standard Mini fuse. The lower overall height allows for more space and weight savings. The Low Profile Mini fuse is designed to mate with tuning-fork terminals, which provides additional weight and material savings in fuse box designs by eliminating the need for female box terminals.

## MINI Fuse Table

Part Number	Current Rating (A)	Housing Color
897002	2	Gray
897003	3	Violet
897004	4	Pink
897005	5	Tan
89707.5	7.5	Brown
897010	10	Red
897015	15	Blue
897020	20	Yellow
897025	25	Natural
897030	30	Green



## Time-Current Characteristics

% of Rating	Opening Time	
	Minimum	Maximum
110	100 hrs.	—
135	0.75 s	1800 s
200	0.15 s	5 s
350	0.080 s	0.250 s
600	0.030 s	0.100 s

Interrupting Rating: 1000A @ 32 VDC

Voltage Rating: 32 VDC

Ambient Temp: -40°C to +125°C

