



PS200 Data Sheet

PowerSmart® Configurable Battery Charger

Information contained in this publication regarding device applications and the like is provided only for your convenience and may be superseded by updates. It is your responsibility to ensure that your application meets with your specifications. MICROCHIP MAKES NO REPRESENTATIONS OR WARRANTIES OF ANY KIND WHETHER EXPRESS OR IMPLIED, WRITTEN OR ORAL, STATUTORY OR OTHERWISE, RELATED TO THE INFORMATION, INCLUDING BUT NOT LIMITED TO ITS CONDITION, QUALITY, PERFORMANCE, MERCHANTABILITY OR FITNESS FOR PURPOSE. Microchip disclaims all liability arising from this information and its use. Use of Microchip's products as critical components in life support systems is not authorized except with express written approval by Microchip. No licenses are conveyed, implicitly or otherwise, under any Microchip intellectual property rights.

Trademarks


The Microchip name and logo, the Microchip logo, Accuron, KEELOQ, MPLAB, PIC, PICmicro, PowerSmart and SmartShunt are registered trademarks of Microchip Technology Incorporated in the U.S.A. and other countries.

SmartSensor and The Embedded Control Solutions Company are registered trademarks of Microchip Technology Incorporated in the U.S.A.

PowerCal, PowerInfo, PowerMate, PowerTool, Select Mode, Smart Serial and SmartTel are trademarks of Microchip Technology Incorporated in the U.S.A. and other countries.

All other trademarks mentioned herein are property of their respective companies.

© 2005, Microchip Technology Incorporated. Printed in the U.S.A., All Rights Reserved.

 Printed on recycled paper.

PowerSmart® Configurable Battery Charger

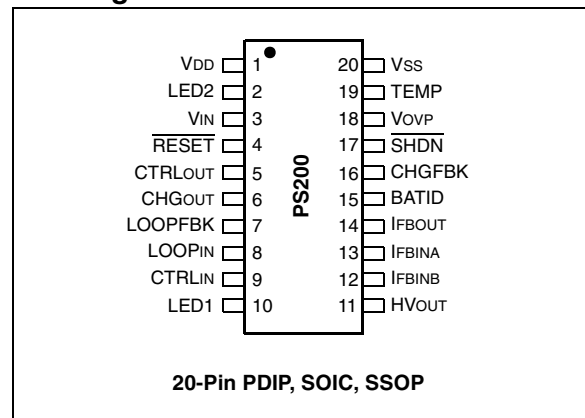
Features

- User configurable battery charger.
- Firmware available for the following cell chemistries:
 - Lithium Ion/Polymer (available now)
 - NiMH, NiCd (available Q2 2005)
 - Pb Acid (available Q3 2005)
- 10-bit ADC for voltage, current and temperature measurement:
 - Accurate Voltage Regulation (+/-1%)
 - Accurate Current Regulation (+/-5%)
- Maximum integration for optimal size:
 - Integrated voltage regulator
 - Internal 8 MHz clock oscillator
 - High-Frequency Switch mode charging – configurable switching frequency up to 1 MHz
- 256 bytes EEPROM storage for charging parameters
- Switch mode charger supports buck and synchronous buck topologies
- Configurable charge status display via two LEDs
- Power-on Reset (POR)
- Brown-out Reset (BOR)
- Power-saving Sleep mode

Applications

- Notebook Computers
- Personal Data Assistants
- Cellular Telephones
- Digital Still Cameras
- Camcorders
- Portable Audio Products
- Bluetooth® Devices
- Flashlights
- Power Tools

Pin Diagram



PS200

[查询PS200供应商](#)

Pinout Description

Pin	Pin Name	Pin Type	Input Type	Output Type	Description
1	VDD	Supply	Power	—	Supply voltage
2	LED2	O	—	CMOS	Status indicator
3	VIN	I	Analog	—	Battery voltage input
4	$\overline{\text{RESET}}$	I	ST	—	Reset
5	CTRLOUT	O	—	CMOS	PWM output for setting current level
6	CHGOUT	O	—	CMOS	PWM output to a buck converter for charge control
7	LOOPFBK	I	Analog	—	Current feedback loop
8	LOOPIN	I	Analog	—	Current feedback loop input
9	CTRLIN	I	Analog	—	Current level control
10	LED1	O	—	CMOS	Status indicator
11	HVOUT	O	—	HVOD	High-voltage, open-drain output pin (optional)
12	IFBINB	I	Analog	—	Current feedback input pin B used for current scaling
13	IFBINA	I	Analog	—	Current feedback input pin A used for current scaling
14	IFBOUT	O	—	Analog	Current feedback output
15	BATID	I	Analog	—	Battery ID select
16	CHGFBK	I	Analog	—	Charge control feedback
17	$\overline{\text{SHDN}}$	O	—	Analog	Shutdown signal, active-low
18	VoVP	I	Analog	—	Overvoltage protection
19	TEMP	I	Analog	—	Battery temperature input
20	VSS	Supply	Power	—	Supply ground

Legend: I = Input, O = Output, ST = Schmitt Trigger Input Buffer, HVOD = High-Voltage Open-Drain

1.0 PS200 OVERVIEW

The PS200 is a configurable Switch mode charger which is comprised of a PIC16F microcontroller core and precision analog circuitry. This section explores the hardware features in relation to generic Switch mode charging. Subsequent sections will describe the operation of the PS200 with firmware for Lithium-based (**Section 2.0 “Lithium Chemistry Algorithm”**), Nickel-based (**Section 3.0 “Nickel Chemistry Algorithm”**) and Lead Acid (**Section 4.0 “Lead Acid Chemistry Algorithm”**) charging.

- Oscillator
- Power-saving Sleep mode
- Power-on Reset (POR)
- Brown-out Reset (BOR)
- High-Endurance Flash/EEPROM Cell:
 - 100,000 write Flash endurance
 - 1,000,000 write EEPROM endurance
 - Flash/Data EEPROM retention: > 40 years
- High-Speed Comparator module with:
 - Two independent analog comparators
- Operational Amplifier module with two independent op amps
- Two-Phase Asynchronous Feedback PWM
- Voltage Regulator
- 10-bit (9-bit plus sign) A/D Converter
- In-Circuit Serial Programming™ (ICSP™) via two pins

1.1 Hardware Features

The PS200 features are well-suited for Switch mode battery charging. The PS200 device's block diagram (Figure 1-1) is to be used in conjunction with the Switch mode charger example (Figure 2-3, page 12).

- Current/Voltage Measurement Block – The Current/Voltage Measurement Block consists of a 10-bit Analog-to-Digital converter, operational amplifiers and a comparator. The output of this block is fed into the Charge Control module. Please refer to Figure 1-1.

The inputs into this block are to be connected as described in Figure 2-3. The following signals are inputs into this block:

- LOOPFBK – to comparator
- LOOPIN – to op amp and ADC
- CTRLIN – to op amp
- IFBINB – to op amp
- IFBINA – to op amp
- BATID – to ADC
- TEMP – to ADC
- CHGFBK – to comparator

The following signals are outputs from this block:

- IFBOUT – from op amp
- Charge Control Module:
 - The charge control module generates a Pulse-Width Modulated signal called CHGOUT. Its frequency is configurable and can be set up to 1 MHz. This signal is connected to an external DC/DC buck converter.
- Voltage Regulator
 - The integrated voltage regulator is designed to work with unregulated DC supplies.
 - There are guidelines that should be followed. A series limiting resistor (RVDD) should be placed between the unregulated supply and the VDD pin. The value for this series resistor (RVDD) must be between RMIN and RMAX as shown in the following equation:

EQUATION 1-1:

$$R_{MAX} = \frac{V_{s(MIN)} - 5V}{1.05 * (16 \text{ mA} + I(\text{led}))} * 1000$$

$$R_{MIN} = \frac{V_{s(MAX)} - 5V}{.95 * (50 \text{ mA})} * 1000$$

Where:

RMAX = maximum value of series resistor (ohms)

RMIN = minimum value of series resistor (ohms)

Vs(MIN) = minimum value of charger DC supply (VDC)

Vs(MAX) = maximum value of charger DC supply (VDC)

I(led) = total current drawn by all LEDs when illuminated simultaneously

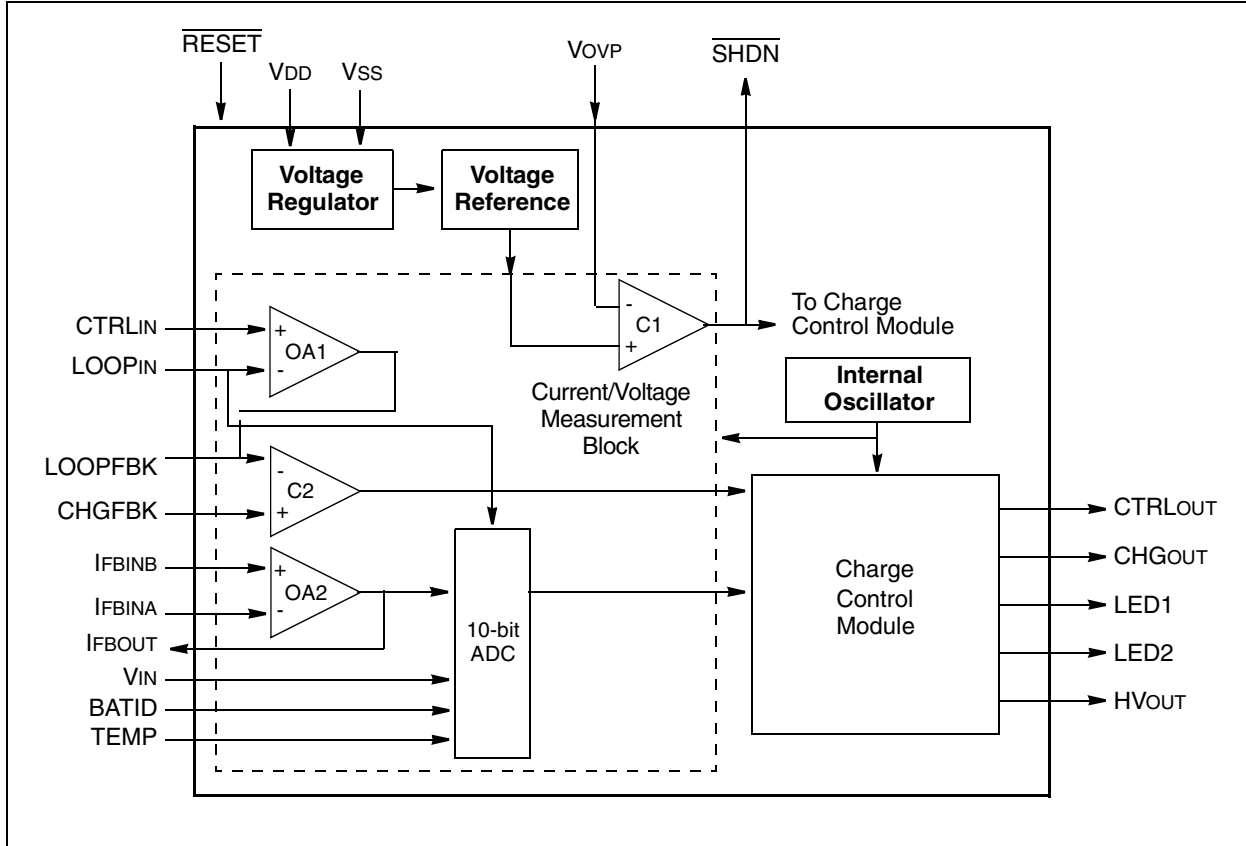
The 1.05 and .95 constants are included to compensate for the tolerance of 5% resistors. The 16 mA constant is the anticipated load presented by the PS200, including the loading due to external components and a 4 mA minimum current for the shunt regulator itself. The 50 mA constant is the maximum acceptable current for the shunt regulator.

- The precision internal 8 MHz clock oscillator eliminates the need for external oscillator circuits.
- In-circuit configurability utilizing 256 bytes of on-board EEPROM.
- Power on Reset – The POR insures the proper start-up of the PS200 when voltage is applied to VDD.
- Brown-out Reset – The BOR is activated when the input voltage falls to 2.1V; the PS200 is reset.

PS200

[查询PS200供应商](#)

FIGURE 1-1: PS200 BLOCK DIAGRAM



2.0 LITHIUM CHEMISTRY ALGORITHM

The PS200 provides an unprecedented level of configurability for charging Lithium Ion/Lithium Polymer battery packs. It's precision, 10-bit Analog-to-Digital converter and high-frequency Pulse-Width Modulator enable the PS200 to provide optimum control of charging algorithms for lithium battery chemistries. Special features include an internal voltage regulator and an internal clock oscillator that reduce external component count.

2.1 Lithium Overview

2.1.1 MULTI-STEP CHARGING

To ensure the proper treatment of lithium chemistries during extreme temperature and voltage conditions, multi-step charging is required. The PS200 starts the charging cycle upon sensing the presence of a battery pack and a valid charging supply. During charge qualification, the battery's temperature and voltage are measured to determine the appropriate initial state. The initial states include Charge Suspend, Precharge and Current Regulation. Charge Suspend halts charging when the user defined preset conditions for charging are not met. Precharge allows for the recovery of deeply discharged batteries by applying a low-charge current. Current Regulation provides constant current, voltage limited charge. Upon reaching the target voltage during Current Regulation, the Voltage Regulation state is entered. Charging continues at a constant voltage until the current decreases to the user specified minimum current threshold (VRIMin). At this threshold, charging is terminated and the End-Of-Charge state is reached.

The state diagram illustrates the charging cycle (see Figure 2-1).

2.1.2 USER CONFIGURABLE PARAMETERS

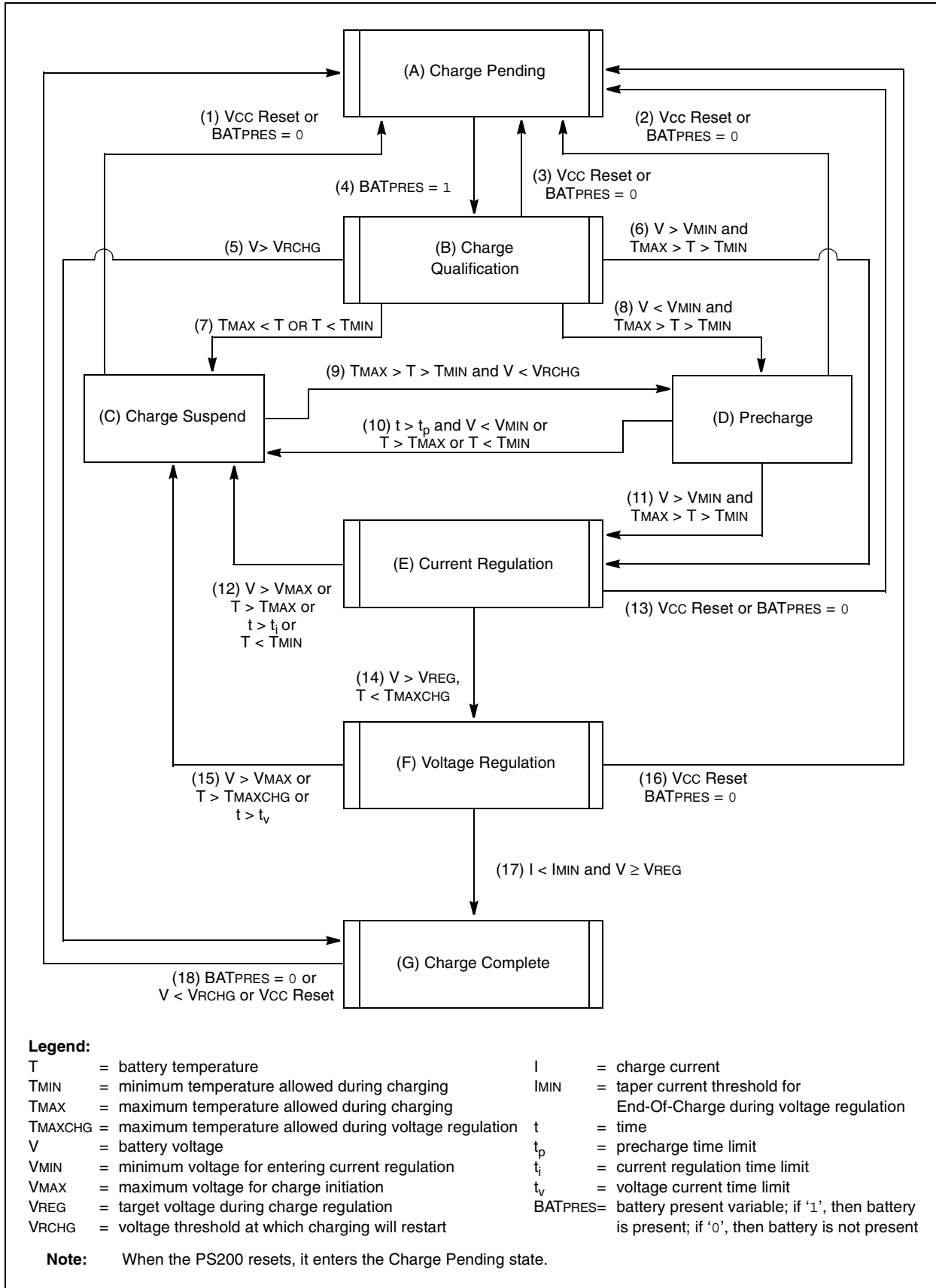
The PS200 supports user configurable parameters that allow for customizing the charging profile. This feature allows for the maximum reuse of hardware, thus reducing time-to-market. These parameters include:

- Battery Temperature:
 - Minimum/maximum temperature for charge initiation
 - Maximum temperature allowed during charge
- Battery Voltage:
 - Minimum/maximum voltage for charge initiation
 - Target voltage during Voltage Regulation
 - Voltage at which the charger will restart charging after completion of a valid charge cycle
- Charge Current:
 - Target current during Current Regulation
 - Taper current threshold for End-Of-Charge during Voltage Regulation
 - Target current during Precharge
- Time:
 - Precharge time limit
 - Current Regulation time limit
 - Voltage Regulation time limit
- Status Display:
 - Two LEDs denote the charge states. Their flash rates can be modified.

PS200

查询PS200供应商

FIGURE 2-1: PS200 STATE DIAGRAM LI CHARGER



2.2 Lithium Charging

To ensure the proper treatment of lithium chemistries during extreme temperature and voltage conditions, multi-step charging is required. The PS200 measures key voltage, temperature and time parameters. It compares them to user defined voltage, temperature and time limits. These limits are described in **Section 2.4 “Lithium Configurable Parameters”**.

Note: Refer to Figure 2-1 and Figure 2-2 for clarification when reading this section.

2.2.1 CHARGE PENDING STATE – BEGINNING THE CHARGE CYCLE

The PS200 is initially set in the Charge Pending state (A). In this state, the presence of a battery pack must be sensed in order to begin the charging cycle. The PS200 comes up in the Charge Pending state, after a Reset, independent of the previous state.

2.2.2 CHARGE QUALIFICATION STATE

During charge qualification, the battery’s temperature and voltage are measured to determine the next charging state. There are four possible next states (see Figure 2-1).

1. If the battery’s temperature is outside of the limits for charge initiation (T_{MAX} , T_{MIN}) then the next state is Charge Suspend (C).
2. If the battery’s voltage is less than the minimum voltage for charge initiation (V_{MIN}) and its temperature is within the limits for charge initiation (T_{MAX} , T_{MIN}), then the next state is Precharge (D).
3. If the battery’s voltage is above the minimum voltage for charge initiation (V_{MIN}) and its temperature is within the limits for charge initiation (T_{MAX} , T_{MIN}), then the next state is Current Regulation (E).
4. If the battery’s voltage is above the voltage at which charging will restart (V_{RCHG}), then the next state is Charge Complete (G).

2.2.3 PRECHARGE STATE

The Precharge state allows for the recovery of a deeply discharged battery pack by applying a low charge rate. In this state, a user configured precharge current is applied to the battery, resulting in an increase in the battery’s voltage (refer to Figure 2-2). There are three possible next states (see Figure 2-1).

1. If the battery’s voltage is above the minimum voltage for charge initiation (V_{MIN}) and the battery’s temperature is within the limits for charge initiation (T_{MAX} , T_{MIN}), then the next state is Current Regulation (E).
2. If the Precharge state time limit is exceeded (t_p) and the battery’s voltage remains less than the minimum voltage for charge initiation (V_{MIN}), then the next state is Charge Suspend (C).

If the Precharge state time limit is exceeded (t_p) and the battery’s temperature is greater than the maximum temperature for charge initiation (T_{MAX}), then the next state is Charge Suspend (C).

If the Precharge state time limit is exceeded (t_p) and the battery’s temperature is less than the minimum temperature for charge initiation (T_{MIN}), then the next state is Charge Suspend (C).
3. If the battery pack is taken away ($BATPRES = 0$), then the PS200 enters the Charge Pending (A) state.

2.2.4 CHARGE SUSPEND STATE

In the Charge Suspend state, no current is applied to the battery pack. There are two possible next states (see Figure 2-1).

1. If the battery’s temperature is within the limits for charge initiation (T_{MAX} , T_{MIN}) and its voltage is less than the voltage at which charging would restart (V_{RCHG}), then the next state is Precharge (D).
2. If the battery pack is taken away ($BATPRES = 0$), then the PS200 enters the Charge Pending (A) state.

PS200

[查询PS200供应商](#)

2.2.5 CURRENT REGULATION STATE

The Current Regulation state can be entered from the Precharge state or Charge Qualification state. Battery charging is initiated. This state provides constant current, voltage limited charging (refer to Figure 2-2). The charge current is referred to as IREG or the regulation current. While the current is applied, the battery's voltage increases until it reaches a voltage limit referred to as VREG or regulation voltage. Charging continues, during which battery voltage and temperature are monitored. There are three possible next states.

1. If the battery's voltage reaches or exceeds the voltage limit, VREG and its temperature remains below the maximum allowable during current regulated charging (TMAXCHG), then the next state is Voltage Regulation (F).
2. If the battery exhibits any one of the following conditions then the next state is Charge Suspend (C):
 - Battery voltage exceeds upper voltage limit for charging (VMAX)
 - Battery temperature exceeds upper temperature limit for charging (TMAX)
 - Battery temperature is below the lower temperature limit for charging (TMIN)

If the time in the Current Regulation state exceeds the time limit (t_i), then the next state is Charge Suspend (C).

3. If the battery pack is taken away (BATPRES = 0), then the PS200 enters the Charge Pending (A) state.

2.2.6 VOLTAGE REGULATION STATE

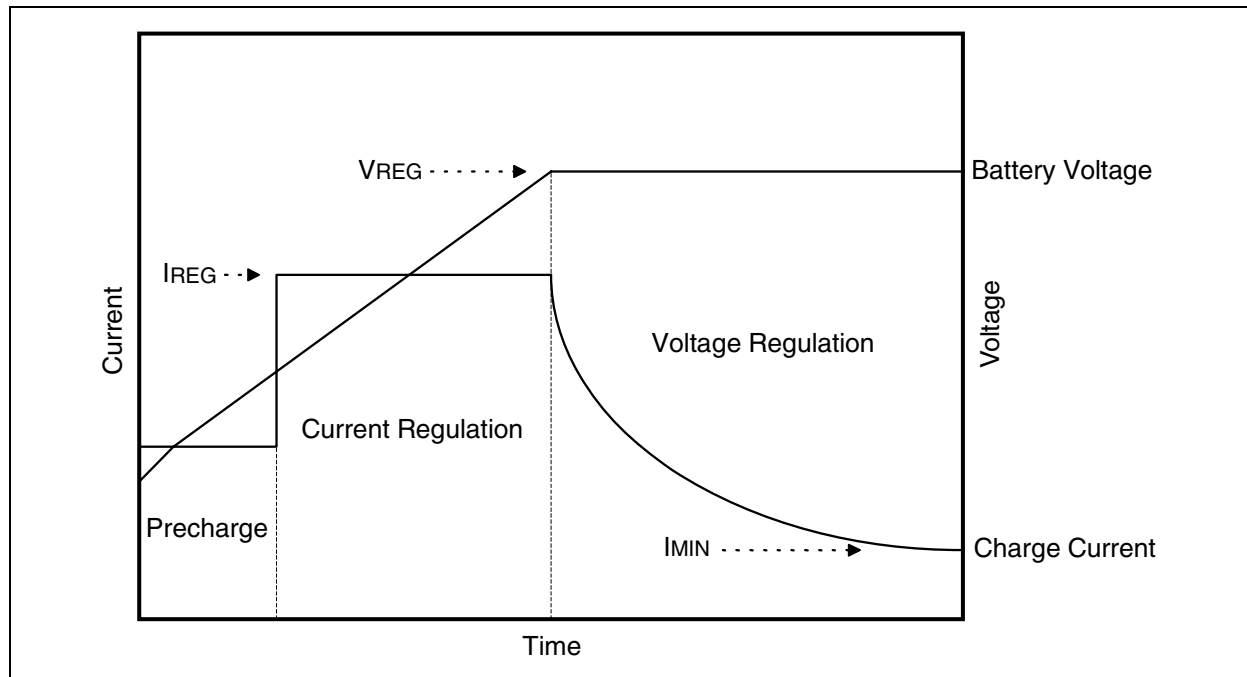
Voltage Regulation provides charging at a constant voltage while the charge current decreases (or tapers) to the user specified minimum current threshold (IMIN). There are three possible next states.

1. When the charge current reaches the taper current threshold for End-Of-Charge (IMIN) and the battery's voltage remains at the regulated voltage value (VREG), then the battery has reached the Charge Complete (G) state.
2. If the battery exhibits any one of the following conditions, then the next state is Charge Suspend (C).
 - Battery voltage exceeds upper voltage limit for charging (VMAX)
 - Battery temperature exceeds upper temperature limit for charging (TMAXCHG)If the time in the Voltage Regulation state exceeds the time limit (t_v), then the next state is Charge Suspend (C).
3. If the battery pack is taken away (BATPRES = 0), then the PS200 enters the Charge Pending (A) state.

2.2.7 CHARGE CYCLE COMPLETE STATE

The user specified minimum current threshold (IMIN) can be configured for various charging temperatures. At this threshold, charging is terminated and the End-Of-Charge state is reached. The PS200 can renew the charge cycle by entering the Charge Pending (A) state when: 1) the battery is removed (BATPRES = 0), or 2) if the battery's voltage falls below the recharge threshold voltage (VRCHG).

FIGURE 2-2: PS200 CHARGING PROFILE



2.3 KEELOQ® Algorithm

The PS200 includes Microchip's KEELOQ decoder algorithm. The KEELOQ code hopping technology is a worldwide standard providing a simple, yet highly secure, solution for authentication. Microchip's battery management products include the KEELOQ algorithm to provide secure identification for rechargeable batteries. When the KEELOQ algorithm is enabled, the PS200 will issue a 32-bit challenge to the attached rechargeable battery. The battery, which also includes the KEELOQ decoder algorithm, will generate a response. See Microchip application note AN827 "Using KEELOQ® to Validate Subsystem Compatibility" (DS00827) for details on implementing a complete KEELOQ battery authentication system.

2.4 Lithium Configurable Parameters

The PS200 device's configurable parameters allow for flexible changes in designing battery chargers. The parameters are categorized as follows:

- Configuration
- Charging Limits
 - Precharge
 - Current Regulation
 - Voltage Regulation
- LED Display Configuration

Please refer to Table 2-1 "PS200 Lithium Configurable Parameters".

2.4.1 CONFIGURATION PARAMETERS

The configuration parameters provide an identity to the battery pack and provide its basic characteristics to the PS200.

2.4.2 CHARGING LIMITS

2.4.2.1 Precharge Parameters

The Precharge parameters configure the charger's operation during this initial battery charging phase.

2.4.2.2 Current Regulation Parameters

The Current Regulation parameters configure the charger's operation during this second battery charging phase.

2.4.2.3 Voltage Regulation Parameters

The Voltage Regulation parameters configure the charger's operation during this third battery charging phase.

2.4.3 LED DISPLAY CONFIGURATION

The PS200 supports a two-LED charging state display. These LEDs can be configured to identify seven unique charger states:

- Charge Pending – charger is waiting for battery pack that needs charge.
- Charge Qualification – charger is determining if the battery pack can be safely charged.
- Precharge – charger is charging the battery pack under the conditions configured for precharge.
- Charge Suspend – charger has temporarily suspended charging the battery pack. This state is usually entered as a result of violating a maximum temperature requirement. Charging will resume when conditions are within required charging parameter values.
- Current Regulation – charger is charging the battery pack with a constant current.
- Voltage Regulation – charger is charging the battery pack at the constant target voltage.
- Charge Complete – charger has completed charging the battery pack.

PS200

[查询PS200供应商](#)

TABLE 2-1: PS200 LITHIUM CONFIGURABLE PARAMETERS

Step 1 – Configuration					
Parameter Name	# Bytes	Lower Limit	Upper Limit	Typical Value	Description
MfgName	—	N/A	N/A	Microchip	ASCII value.
DevName	—	N/A	N/A	PS200	ASCII value.
SeriesCells	1	1	255	4	Number of series connected cells in the battery pack.
Capacity (mAh)	2	0	65535	2000	Full-charge capacity of the battery pack.
PWMFreq	1	7	83	15	LUT value which determines the PWM frequency.
Step 2 – Charging Limits					
Parameter Name	# Bytes	Lower Limit	Upper Limit	Typical Value	Description
PCVMin (mV)	2	0	65535	2500	Minimum cell voltage required to enable charging with precharge conditions.
PCVMax (mV)	2	0	65535	3000	Maximum cell voltage required to enable charging with precharge conditions.
PCCurrent (mA)	2	0	65535	200	Charging current during precharge.
PCTempMin	1	0	255	50	Minimum temperature required to enable charging with precharge conditions. PCTempMin value = (temperature °C * 10 + 200)/4; so typical value of 50 = 0°C.
PCTempMax	1	0	255	175	Maximum temperature required to enable charging with precharge conditions. PCTempMax value = (temperature °C * 10 + 200)/4; so typical value of 175 = 50°C.
PCTime (min)	1	0	255	60	Duration of precharge.
CRVTarg (mV)	2	0	65535	4200	Target cell voltage in current regulation. This is set to the fully charged voltage of one cell, typically, as specified by the cell manufacturer.
CRCurrent (mA)	2	0	65536	2000	Charging current during current regulation.
CRTIMEMax (min)	1	0	255	90	Current regulation time limit.
VRVrech (mV)	2	0	65536	3780	Voltage regulation recharge cell voltage. Charger will automatically begin charging if cell voltage of pack falls below SeriesCells * VRVrech.
VRIMin (mA)	2	0	65536	150	Voltage regulation fully charged current. This is the value of the taper current or I _{MIN} which will determine that the battery is fully charged.
VRTIMEMax (min)	1	0	255	90	Voltage regulation time limit.
TempMax	1	0	255	200	Maximum temperature required to enable charging during current regulation and voltage regulation. TempMax value = (temperature °C * 10 + 200)/4; so typical value of 200 = 60°C.

TABLE 2-1: PS200 LITHIUM CONFIGURABLE PARAMETERS (CONTINUED)

Step 3 – LED Display					
Parameter Name	# Bytes	Lower Limit	Upper Limit	Typical Value	Description
LED1Pending	1	N/A	N/A	0b00000000	LED1 display when charge is pending.
LED2Pending	1	N/A	N/A	0b00000000	LED2 display when charge is pending.
LED1Qual	1	N/A	N/A	0b00000000	LED1 display during charge qualification.
LED2Qual	1	N/A	N/A	0b00000000	LED2 display during charge qualification.
LED1PC	1	N/A	N/A	0b00000000	LED1 display during precharge.
LED2PC	1	N/A	N/A	0b00000000	LED2 display during precharge.
LED1Suspend	1	N/A	N/A	0b00000000	LED1 display when charge has been temporarily suspended.
LED2Suspend	1	N/A	N/A	0b00000000	LED2 display when charge has been temporarily suspended.
LED1CR	1	N/A	N/A	0b00000000	LED1 display during charge regulation.
LED2CR	1	N/A	N/A	0b00000000	LED2 display during charge regulation.
LED1VR	1	N/A	N/A	0b00000000	LED1 display during voltage regulation.
LED2VR	1	N/A	N/A	0b00000000	LED2 display during voltage regulation.
LED1Full	1	N/A	N/A	0b00000000	LED1 display when battery is fully charged.
LED2Full	1	N/A	N/A	0b00000000	LED2 display when battery is fully charged.
Miscellaneous					
Parameter Name	# Bytes	Lower Limit	Upper Limit	Typical Value	Description
PatternID	2	0x0	0xFFFF	0x0	Pattern ID.
BatIDMin	1	0	255	0	BATID input pin value minimum.
BatIDMax	1	0	255	255	BATID input pin value maximum.

[查询PS200供应商](#)

3.0 NICKEL CHEMISTRY ALGORITHM

The PS200 algorithms for NiMH and NiCd chemistries are currently being developed.

4.0 LEAD ACID CHEMISTRY ALGORITHM

The PS200 algorithms for lead acid chemistries are currently being developed.

PS200

[查询PS200供应商](#)

NOTES:

5.0 ELECTRICAL SPECIFICATIONS

Absolute Maximum Ratings†

Ambient temperature under bias	-40 to +125°C
Storage temperature	-65°C to +150°C
Voltage on VDD with respect to VSS	-0.3 to +6.5V
Voltage on $\overline{\text{RESET}}$ with respect to VSS	-0.3 to +13.5V
Voltage on HVOUT with respect to VSS	0V to +8.5V
Voltage on all other pins with respect to VSS	-0.3V to (VDD + 0.3V)
Total power dissipation ⁽¹⁾	800 mW
Maximum current out of VSS pin	300 mA
Maximum current into VDD pin	250 mA
Input clamp current, I _{IK} (V _I < 0 or V _I > VDD)	±20 mA
Output clamp current, I _{OK} (V _O < 0 or V _O > VDD)	±20 mA
Maximum output current sunk by any I/O pin	25 mA ⁽²⁾
Maximum output current sourced by each Port	50 mA ⁽²⁾

Note 1: Power dissipation is calculated as follows: $P_{DIS} = V_{DD} \times \{I_{DD} - \sum I_{OH}\} + \sum \{(V_{DD} - V_{OH}) \times I_{OH}\} + \sum (V_{OL} \times I_{OL})$.

2: Total source current must not exceed the shunt regulator capacity.

† NOTICE: Stresses above those listed under “Absolute Maximum Ratings” may cause permanent damage to the device. This is a stress rating only and functional operation of the device at those or any other conditions above those indicated in the operation listings of this specification is not implied. Exposure to maximum rating conditions for extended periods may affect device reliability.

5.1 Reliability Targets

The device must be designed to target the following reliability specifications:

ESD: ±4000V HBM ±400V MM all pins including VDD, VSS, $\overline{\text{RESET}}$

Latch-up: ±400 mA @ 125°C

5.2 Design Targets

The AC/DC specifications included in the following sections are preliminary specifications that we intend to publish at product introduction. As the product matures, we intend to expand the specifications. Therefore, design should try and meet the following extended VDD/temperature targets:

1. Frequency of operation: DC – 4 MHz, VDD = 2.0V – 5.5V, -40°C to 125°C
2. Frequency of operation: DC – 20 MHz, VDD = 4.5V – 5.5V, -40°C to 125°C

PS200

[查询PS200供应商](#)

5.3 DC Characteristics

DC CHARACTERISTICS			Standard Operating Conditions (unless otherwise stated) Operating temperature -40°C to +85°C				
Param No.	Sym	Characteristic	Min	Typ†	Max	Units	Conditions
D001B D001C	VDD	Supply Voltage	2.0 4.5	—	5.0 5.0	V V	FOSC ≤ 4 MHz FOSC > 4 MHz
D002	VDR	RAM Data Retention Voltage ⁽¹⁾	1.5*	—	—	V	Device in Sleep mode
D003	VPOR	VDD Start Voltage to ensure internal Power-on Reset signal	—	VSS	—	V	See section on Power-on Reset for details
D004	SVDD	VDD Rise Rate to ensure internal Power-on Reset signal	0.05*	—	—	V/ms	See section on Power-on Reset for details
D005	VBOR	VDD Voltage required to initiate a Brown-out Detect	—	2.1	—	V	
D010S	IDD	Supply Current ⁽²⁾	—	—	—	mA	VDD and current are constant due to shunt regulator.
D020	IPD	Power-Down Current ⁽³⁾	—	2.9	TBD	nA	VDD = 5.0V, WDT disabled

Legend: TBD = To Be Determined

* These parameters are characterized but not tested.

† Data in “Typ” column is at 5.0V, 25°C unless otherwise stated. These parameters are for design guidance only and are not tested

Note 1: This is the limit to which VDD can be lowered in Sleep mode without losing RAM data.

2: The test conditions for all IDD measurements in active operation mode are: OSC1 = external square wave, from rail to rail; all I/O pins tri-stated, pulled to VDD; RESET = VDD.

3: The power-down current in Sleep mode does not depend on the oscillator type. Power-down current is measured with the part in Sleep mode, with all I/O pins in high-impedance state and tied to VDD and VSS.

5.4 Shunt Regulator

TABLE 5-1: SHUNT REGULATOR SPECIFICATIONS

Shunt Regulator Specifications		Standard Operating Conditions (unless otherwise stated) Operating temperature -40°C to +125°C				
Characteristic	Sym	Min	Typ	Max	Units	Comments
Shunt Voltage	VSHUNT	4.75	—	5.25	Volts	
Shunt Current	ISHUNT	4	—	50	mA	
Shunt Resistance	RSHUNT	—	—	3	Ω	
Settling Time*	TSETTLE	—	—	150	ns	To 1% of final value
Load Capacitance	CLOAD	0.01	—	10	μF	Bypass capacitor on VDD pin
Regulator Operating Current	ΔISNT	—	180	—	μA	Includes band gap reference current

* These parameters are characterized but not tested.

Note: The Δ current is the additional current consumed when this peripheral is enabled. This current should be added to the base IDD or IPD measurement.

5.5 DC Characteristics

DC CHARACTERISTICS			Standard Operating Conditions (unless otherwise stated) Operating temperature -40°C to +85°C				
Param No.	Sym	Characteristic	Min	Typ†	Max	Units	Conditions
D032	VIL	Input Low Voltage $\overline{\text{RESET}}$	VSS	—	0.2 VDD	V	4.5V ≤ VDD ≤ 5.5V, otherwise entire range
D042	VIH	Input High Voltage $\overline{\text{RESET}}$	0.8 VDD	—	VDD	V	4.5V ≤ VDD ≤ 5.5V, otherwise entire range
D060A D061	IIL	Input Leakage Current⁽²⁾ Analog inputs $\overline{\text{RESET}}^{(1)}$	— —	±0.1 ±1	±1 ±5	μA μA	VSS ≤ VPIN ≤ VDD VSS ≤ VPIN ≤ VDD
D080	VoL	Output Low Voltage Pins LED1, LED2, CTRLOUT, CHGOUT, HVOUT	—	—	0.6	V	IoL = 8.5 mA, VDD = 4.5V
D090	VoH	Output High Voltage Pins LED1, LED2, CTRLOUT, CHGOUT, HVOUT	VDD - 0.7	—	—	V	IoH = -3.0 mA, VDD = 4.5V

† Data in “Typ” column is at 5.0V, 25°C unless otherwise stated. These parameters are for design guidance only and are not tested.

Note 1: The leakage current on the $\overline{\text{RESET}}$ pin is strongly dependent on the applied voltage level. The specified levels represent normal operating conditions. Higher leakage current may be measured at different input voltages.

2: Negative current is defined as current sourced by the pin.

5.6 DC Characteristics

DC CHARACTERISTICS			Standard Operating Conditions (unless otherwise stated) Operating temperature -40°C to +85°C				
Param No.	Sym	Characteristic	Min	Typ†	Max	Units	Conditions
D101	CIO	Capacitive Loading Specs on Output Pins Pins LED1, LED2, CTRLOUT, CHGOUT, HVOUT	—	—	50*	pF	
D120	ED	Data EEPROM Memory Endurance	1M	10M	—	E/W	25°C at 5V
D121	VDRW	VDD for read/write	VMIN	—	5.5	V	VMIN = Minimum operating voltage
D122	TDEW	Erase/Write cycle time	—	5	6	ms	

* These parameters are characterized but not tested.

† Data in “Typ” column is at 5.0V, 25°C unless otherwise stated. These parameters are for design guidance only and are not tested.

PS200

[查询PS200供应商](#)

5.7 AC Characteristics: PS200 (Industrial)

FIGURE 5-1: EXTERNAL CLOCK TIMING

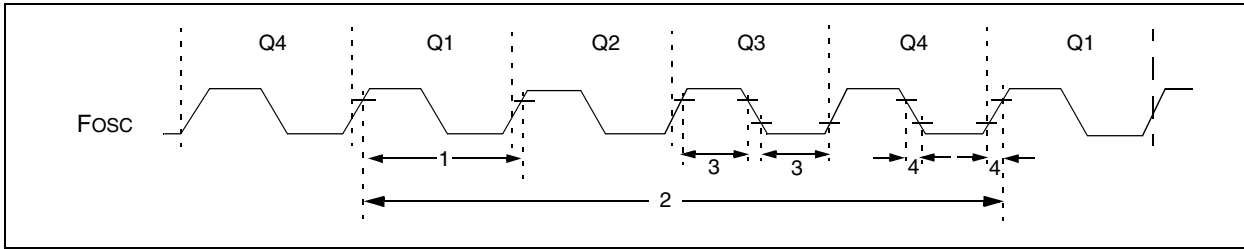


TABLE 5-2: EXTERNAL CLOCK TIMING REQUIREMENTS

Param No.	Sym	Characteristic	Min	Typ†	Max	Units	Conditions
	FOSC	Oscillator Frequency ⁽¹⁾	—	8	—	MHz	Using PS200 internal oscillator
1	TOSC	Oscillator Period ⁽¹⁾	—	125	—	ns	Using PS200 internal oscillator

† Data in “Typ” column is at 5 V, 25°C unless otherwise stated. These parameters are for design guidance only and are not tested.

FIGURE 5-2: CLKO AND I/O TIMING

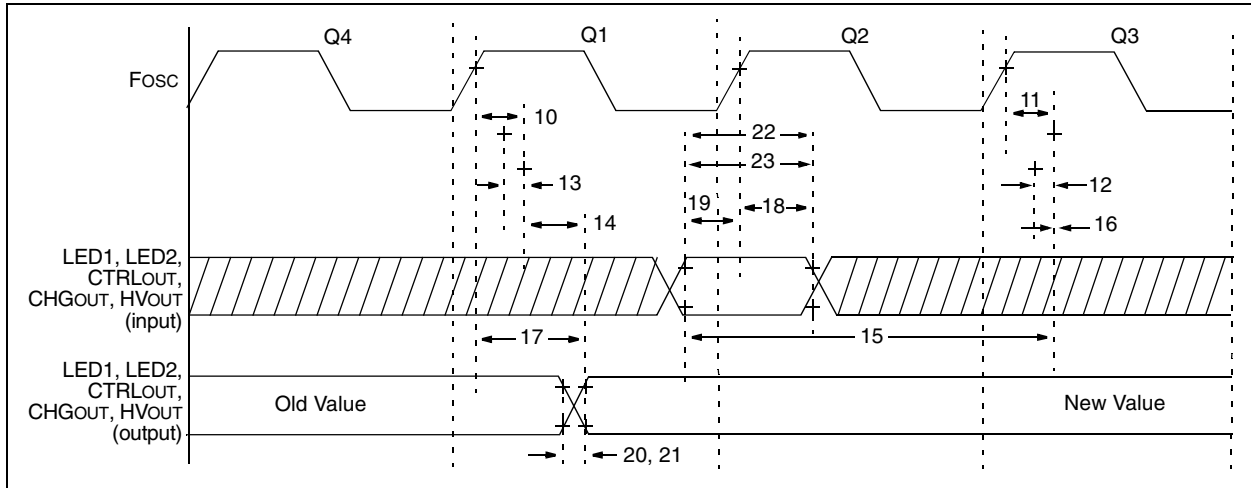


TABLE 5-3: CLKO AND I/O TIMING REQUIREMENTS

Param No.	Sym	Characteristic	Min	Typ†	Max	Units	Conditions
17	TosH2ioV	Fosc ↑ (Q1 cycle) to Port Out Valid	—	50	150*	ns	
			—	—	300	ns	
18	TosH2ioI	Fosc ↑ (Q2 cycle) to Port Input Invalid (I/O in hold time)	100	—	—	ns	
19	TioV2osH	Port Input Valid to Fosc ↑ (I/O in setup time)	0	—	—	ns	
20	TioR	Port Output Rise Time	—	10	40	ns	
21	TioF	Port Output Fall Time	—	10	40	ns	

* These parameters are characterized but not tested.

† Data in "Typ" column is at 5.0 V, 25°C unless otherwise stated.

PS200

[查询PS200供应商](#)

FIGURE 5-3: RESET AND POWER-UP TIMER TIMING

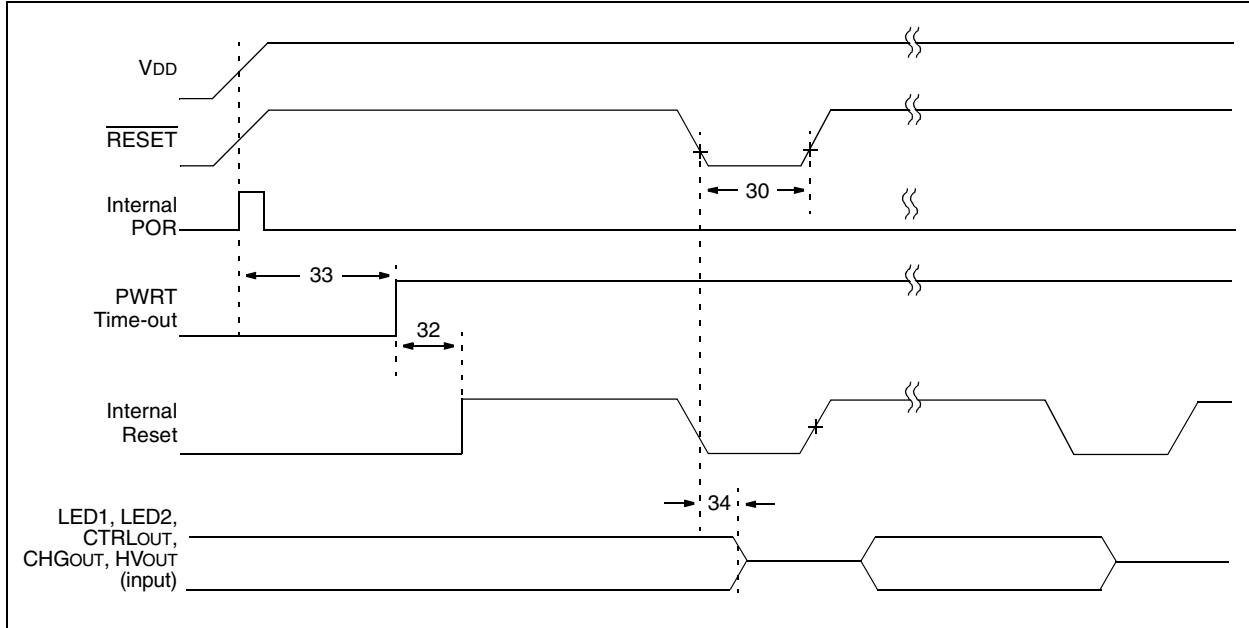


FIGURE 5-4: BROWN-OUT DETECT TIMING AND CHARACTERISTICS

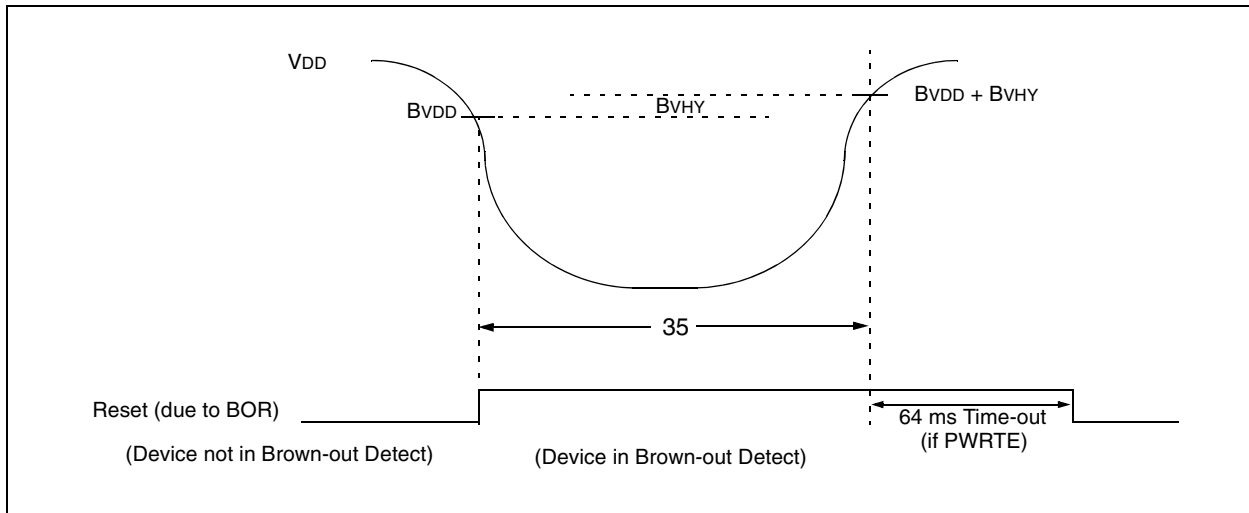


TABLE 5-4: RESET, WATCHDOG TIMER, OSCILLATOR START-UP TIMER, POWER-UP TIMER AND BROWN-OUT DETECT REQUIREMENTS

Param No.	Sym	Characteristic	Min	Typ†	Max	Units	Conditions
30	TMCL	RESET Pulse Width (low)	2 11	— 18	— 24	μs ms	VDD = 5V, -40°C to +85°C Extended temperature
32	TOST	Oscillation Start-up Timer Period	—	1024 TOSC	—	—	TOSC = FOSC period
33*	TPWRT	Power-up Timer Period (4 x TWDT)	28* TBD	64 TBD	132* TBD	ms ms	VDD = 5V, -40°C to +85°C
34	TIOZ	I/O High-Impedance from RESET Low or Watchdog Timer Reset	—	—	2.0	μs	
	BVDD	Brown-out Detect Voltage	2.025		2.175	V	
	BVHY	Brown-out Hysteresis		25		mV	
35	TBOR	Brown-out Detect Pulse Width	100*	—	—	μs	VDD ≤ BVDD (D005)

Legend: TBD = To Be Determined

* These parameters are characterized but not tested.

† Data in “Typ” column is at 5V, 25°C unless otherwise stated. These parameters are for design guidance only and are not tested.

TABLE 5-5: PRECISION INTERNAL OSCILLATOR PARAMETERS

Param No.	Sym	Characteristic	Freq Tolerance	Min	Typ†	Max	Units	Conditions
F10	FOSC	Internal Calibrated INTOSC Frequency ⁽¹⁾	±1%	—	8.00	TBD	MHz	VDD and Temperature (TBD)
			±2%	—	8.00	TBD	MHz	2.5V ≤ VDD ≤ 5.5V 0°C ≤ TA ≤ +85°C
			±5%	—	8.00	TBD	MHz	2.0V ≤ VDD ≤ 5.5V -40°C ≤ TA ≤ +85°C (Ind.) -40°C ≤ TA ≤ +125°C (Ext.)
F14	TIOSCST	Oscillator Wake-up from Sleep Start-up Time*	—	—	TBD	TBD	μs	VDD = 2.0V, -40°C to +85°C
			—	—	TBD	TBD	μs	VDD = 3.0V, -40°C to +85°C
			—	—	TBD	TBD	μs	VDD = 5.0V, -40°C to +85°C

Legend: TBD = To Be Determined

† Data in “Typ” column is at 5.0V, 25°C unless otherwise stated. These parameters are for design guidance only and are not tested.

Note 1: To ensure these oscillator frequency tolerances, VDD and VSS must be capacitively decoupled as close to the device as possible. 0.1 μF and .01 μF values in parallel are recommended.

PS200

[查询PS200供应商](#)

FIGURE 5-5: CTRLOUT TIMINGS (PIN 5)

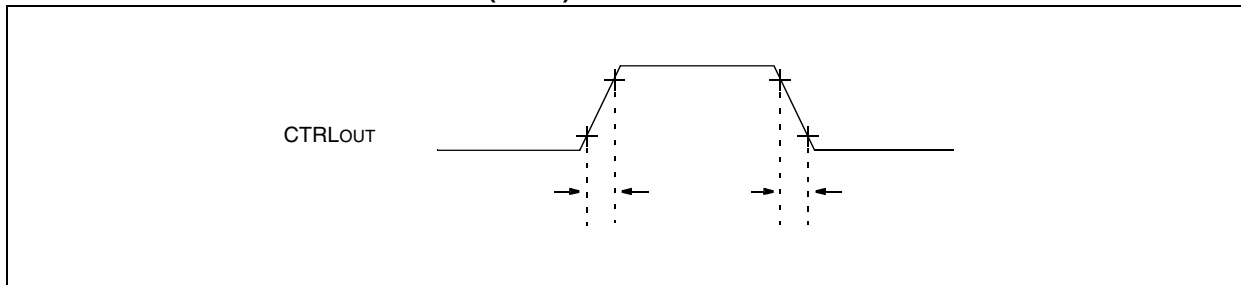


TABLE 5-6: CTRLOUT REQUIREMENTS

Param No.	Sym	Characteristic	Min	Typ†	Max	Units	Conditions
53*	TccR	CTRLOUT Output Rise Time	—	25	50	ns	
54*	TccF	CTRLOUT Output Fall Time	—	25	45	ns	

* These parameters are characterized but not tested.

† Data in "Typ" column is at 5V, 25°C unless otherwise stated. Parameters are for design guidance only and are not tested.

5.8 Current Voltage Measurement Block

TABLE 5-7: DC CHARACTERISTICS (PINS LOOPIN, CTRLIN, IFBINB, IFBINA INPUTS; PIN IFBOUT OUTPUT)

DC CHARACTERISTICS			Standard Operating Conditions (unless otherwise stated) VDD = 2.7V to 5.5V, TA = 25°C, VCM = VDD/2, RL = 100 kΩ to VDD/2 and VOUT ~ VDD/2 Operating Temperature -40°C to +85°C for Industrial				
Param No.	Sym	Parameters	Min	Typ	Max	Units	Conditions
001	VOS	Input Offset Voltage	—	±5	—	mV	
002	IB	Input Current and Impedance Input Bias Current	—	±2*	—	nA	
003	IOS	Input Offset Bias Current	—	±1*	—	pA	
004	VCM	Common Mode Common Mode Input Range	VSS	—	VDD – 1.4	V	VDD = 5V
005	CMR	Common Mode Rejection	TBD	70	—	dB	VCM = VDD/2, Frequency = DC
006A	AOL	Open-Loop Gain DC Open-Loop Gain	—	90	—	dB	No load
006B	AOL	DC Open-Loop Gain	—	60	—	dB	Standard load
007	VOUT	Output Output Voltage Swing	VSS + 50	—	VDD – 50	mV	To VDD/2 (20 kΩ connected to VDD, 20 kΩ + 20 pF to VSS)
008	ISC	Output Short Circuit Current	—	25	TBD	mA	
010	PSR	Power Supply Power Supply Rejection	80	—	—	dB	

Legend: TBD = To Be Determined

* These parameters are characterized but not tested.

TABLE 5-8: AC CHARACTERISTICS (PINS LOOPIN, CTRLIN, IFBINB, IFBINA INPUTS; PIN IFBOUT OUTPUT)

AC CHARACTERISTICS			Standard Operating Conditions (unless otherwise stated) VDD = 2.7V to 5.5V, VSS = GND, TA = 25°C, VCM = VDD/2, RL = 100 kΩ to VDD/2 and VOUT = VDD/2 Operating Temperature -40°C to +85°C for Industrial				
Param No.	Sym	Parameters	Min	Typ	Max	Units	Conditions
011	GBWP	Gain Bandwidth Product	—	3	—	MHz	VDD = 5V
012	TON	Turn-on Time	—	10	TBD	μs	VDD = 5V
013	∅M	Phase Margin	—	60	—	degrees	VDD = 5V
014	SR	Slew Rate	2	TBD	—	V/μs	VDD = 5V

Legend: TBD = To Be Determined

PS200

[查询PS200供应商](#)

TABLE 5-9: COMPARATOR SPECIFICATIONS (PINS LOOPFBK, CHGFBK, SHDN, VovP)

Comparator Specifications			Standard Operating Conditions (unless otherwise stated) Operating temperature $-40^{\circ}\text{C} \leq T_A \leq +125^{\circ}\text{C}$				
Param No.	Symbol	Characteristics	Min	Typ	Max	Units	Comments
C01	VOS	Input Offset Voltage	—	± 2	± 5	mV	
C02	VCM	Input Common Mode Voltage	0	—	$V_{DD} - 1.5$	V	
C03	ILC	Input Leakage Current	—	—	200*	nA	
C04	CMRR	Common Mode Rejection Ratio	+70*	—	—	dB	
C05	TRT	Response Time ⁽¹⁾	—	—	20*	ns	Internal
			—	—	40*	ns	Output to pin

* These parameters are characterized but not tested.

Note 1: Response time measured with one comparator input at $(V_{DD} - 1.5)/2$, while the other input transitions from VSS to $V_{DD} - 1.5\text{V}$.

TABLE 5-10: COMPARATOR VOLTAGE REFERENCE (VREF) SPECIFICATIONS

Comparator Voltage Reference Specifications			Standard Operating Conditions (unless otherwise stated) Operating temperature $-40^{\circ}\text{C} \leq T_A \leq +125^{\circ}\text{C}$				
Param No.	Symbol	Characteristics	Min	Typ	Max	Units	Comments
CV01	CVRES	Resolution	—	$V_{DD}/24^*$	—	LSb	Low Range (VRR = 1)
			—	$V_{DD}/32$	—	LSb	High Range (VRR = 0)
CV02		Absolute Accuracy	—	—	$\pm 1/4^*$	LSb	Low Range (VRR = 1)
			—	—	$\pm 1/2^*$	LSb	High Range (VRR = 0)
CV03		Unit Resistor Value (R)	—	2K*	—	Ω	
CV04		Settling Time ⁽¹⁾	—	—	10*	μs	

* These parameters are characterized but not tested.

Note 1: Settling time measured while VRR = 1 and VR<3:0> transitions from 0000 to 1111.

TABLE 5-11: A/D CONVERTER CHARACTERISTICS

Param No.	Sym	Characteristic	Min	Typ†	Max	Units	Conditions
A01	NR	Resolution	—	—	10 bits	bit	
A02	EABS	Total Absolute Error ⁽¹⁾	—	—	±1	LSb	VREF = 5.0V
A03	EIL	Integral Error	—	—	±1	LSb	VREF = 5.0V
A04	EDL	Differential Error	—	—	±1	LSb	No missing codes to 10 bits, VREF = 5.0V
A05	EFS	Full-Scale Range	2.2*	—	5.5*	V	
A06	EOFF	Offset Error	—	—	±1	LSb	VREF = 5.0V
A07	EGN	Gain Error	—	—	±1	LSb	VREF = 5.0V
A10	—	Monotonicity	—	guaranteed ⁽²⁾	—	—	VSS ≤ VAIN ≤ VREF
A20 A20A	VREF	Reference Voltage	2.2 ⁽⁴⁾ 2.5	—	— VDD + 0.3	V	Absolute minimum to ensure 10-bit accuracy
A25	VAIN	Analog Input Voltage	VSS	—	VREF ⁽⁵⁾	V	
A30	ZAIN	Recommended Impedance of Analog Voltage Source	—	—	10	kΩ	
A50	IREF	VREF Input Current ⁽³⁾	10	—	1000	μA	During VAIN acquisition. Based on differential of VHOLD to VAIN.
			—	—	10	μA	During A/D conversion cycle.

* These parameters are characterized but not tested.

† Data in 'Typ' column is at 5.0V, 25°C unless otherwise stated. These parameters are for design guidance only and are not tested.

Note 1: Total Absolute Error includes Integral, Differential, Offset and Gain Errors.

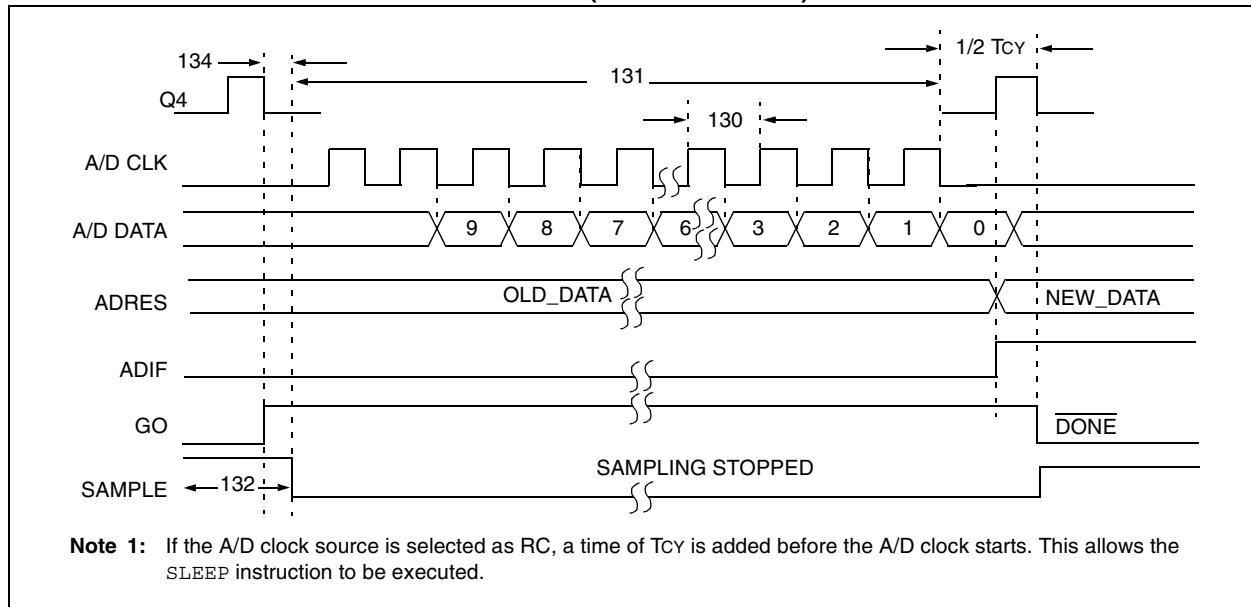
2: The A/D conversion result never decreases with an increase in the input voltage and has no missing codes.

3: VREF current is from external VREF or VDD pin, whichever is selected as reference input.

4: Only limited when VDD is at or below 2.5V. If VDD is above 2.5V, VREF is allowed to go as low as 1.0V.

5: Analog input voltages are allowed up to VDD, however, the conversion accuracy is limited to VSS to VREF.

FIGURE 5-6: A/D CONVERSION TIMING (NORMAL MODE)



PS200

[查询PS200供应商](#)

TABLE 5-12: A/D CONVERSION REQUIREMENTS

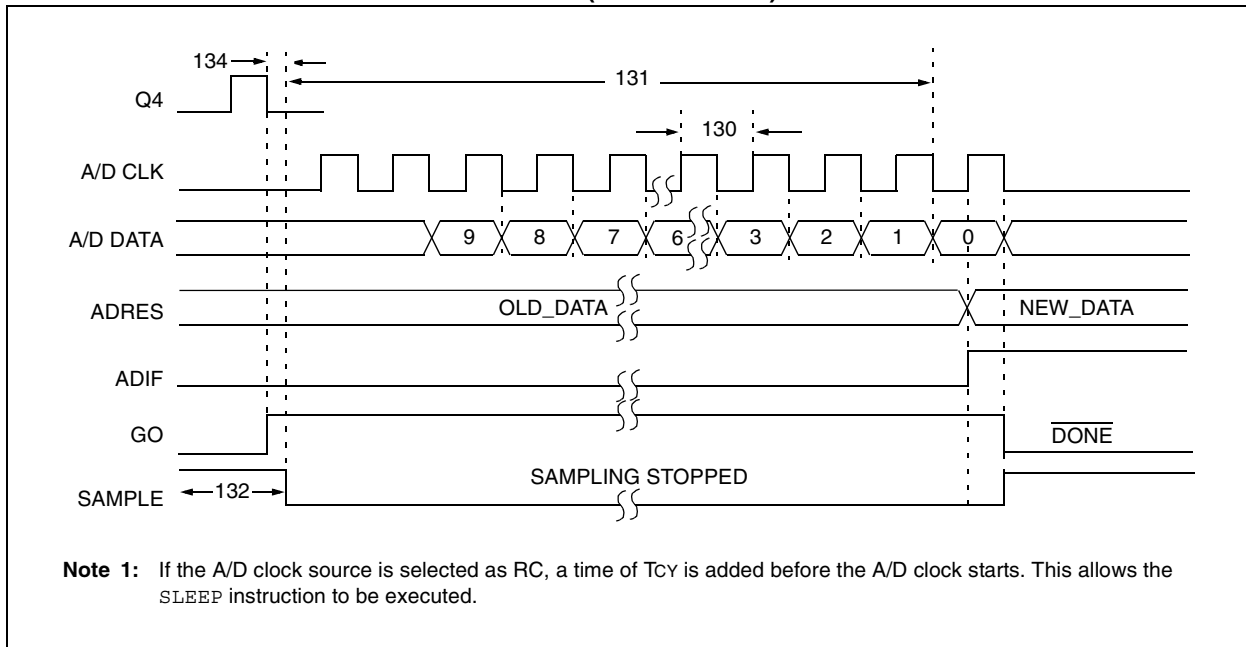
Param No.	Sym	Characteristic	Min	Typ†	Max	Units	Conditions
130*	TAD	A/D Clock Period	1.6	—	—	μs	TOSC based, VREF ≥ 2.5V
130*	TAD	A/D Internal RC Oscillator Period	3.0*	—	—	μs	TOSC based, VREF full range
130*	TAD	A/D Internal RC Oscillator Period	3.0*	6.0	9.0*	μs	ADCS<1:0> = 11 (RC mode) At VDD = 2.5V
130*	TAD	A/D Internal RC Oscillator Period	2.0*	4.0	6.0*	μs	At VDD = 5.0V
131*	TCNV	Conversion Time (not including acquisition time) ⁽¹⁾	—	11 TAD	—	TAD	Set GO bit to new data in A/D Result register
132*	TACQ	Acquisition Time	—	11.5	—	μs	The minimum time is the amplifier settling time. This may be used if the “new” input voltage has not changed by more than 1 LSb (i.e., 1 mV @ 4.096V) from the last sampled voltage (as stated on CHOLD).
132*	TACQ	Acquisition Time	5*	—	—	μs	
134*	TGO	Q4 to A/D Clock Start	—	TOSC/2	—	—	If the A/D clock source is selected as RC, a time of TCY is added before the A/D clock starts. This allows the SLEEP instruction to be executed.

* These parameters are characterized but not tested.

† Data in “Typ” column is at 5V, 25°C unless otherwise stated. These parameters are for design guidance only and are not tested.

Note 1: ADRES register may be read on the following TCY cycle.

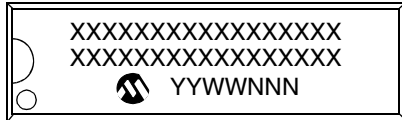
FIGURE 5-7: A/D CONVERSION TIMING (SLEEP MODE)



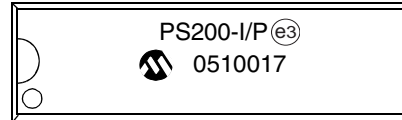
6.0 PACKAGING INFORMATION

6.1 Package Marking Information

20-Lead PDIP



Example



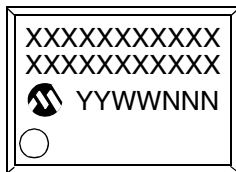
20-Lead SOIC



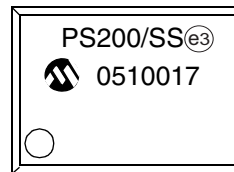
Example



20-Lead SSOP



Example



Legend:

- XX...X Customer-specific information
- Y Year code (last digit of calendar year)
- YY Year code (last 2 digits of calendar year)
- WW Week code (week of January 1 is week '01')
- NNN Alphanumeric traceability code
- (e3) Pb-free JEDEC designator for Matte Tin (Sn)
- * This package is Pb-free. The Pb-free JEDEC designator (e3) can be found on the outer packaging for this package.

Note: In the event the full Microchip part number cannot be marked on one line, it will be carried over to the next line, thus limiting the number of available characters for customer-specific information.

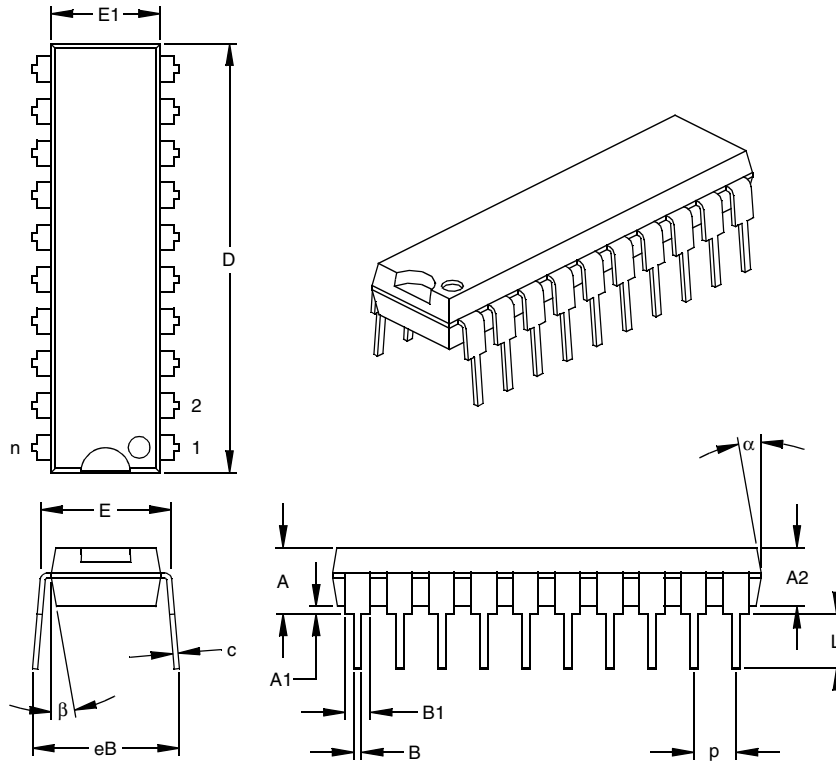
PS200

[查询PS200供应商](#)

6.2 Package Details

The following sections give the technical details of the packages.

20-Lead Plastic Dual In-line (P) – 300 mil Body (PDIP)



Units		INCHES*			MILLIMETERS		
Dimension Limits		MIN	NOM	MAX	MIN	NOM	MAX
Number of Pins	n	20			20		
Pitch	p		.100			2.54	
Top to Seating Plane	A	.140	.155	.170	3.56	3.94	4.32
Molded Package Thickness	A2	.115	.130	.145	2.92	3.30	3.68
Base to Seating Plane	A1	.015			0.38		
Shoulder to Shoulder Width	E	.295	.310	.325	7.49	7.87	8.26
Molded Package Width	E1	.240	.250	.260	6.10	6.35	6.60
Overall Length	D	1.025	1.033	1.040	26.04	26.24	26.42
Tip to Seating Plane	L	.120	.130	.140	3.05	3.30	3.56
Lead Thickness	c	.008	.012	.015	0.20	0.29	0.38
Upper Lead Width	B1	.055	.060	.065	1.40	1.52	1.65
Lower Lead Width	B	.014	.018	.022	0.36	0.46	0.56
Overall Row Spacing	§ eB	.310	.370	.430	7.87	9.40	10.92
Mold Draft Angle Top	α	5	10	15	5	10	15
Mold Draft Angle Bottom	β	5	10	15	5	10	15

* Controlling Parameter

§ Significant Characteristic

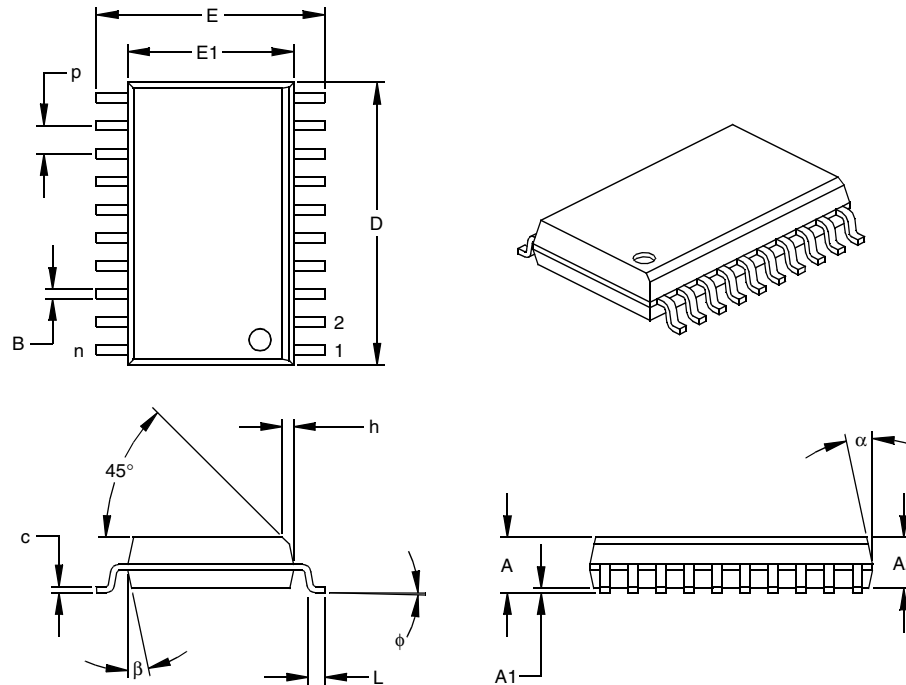
Notes:

Dimensions D and E1 do not include mold flash or protrusions. Mold flash or protrusions shall not exceed .010" (0.254mm) per side.

JEDEC Equivalent: MS-001

Drawing No. C04-019

20-Lead Plastic Small Outline (SO) – Wide, 300 mil Body (SOIC)



Units		INCHES*			MILLIMETERS		
Dimension Limits		MIN	NOM	MAX	MIN	NOM	MAX
Number of Pins	n	20			20		
Pitch	p	.050			1.27		
Overall Height	A	.093	.099	.104	2.36	2.50	2.64
Molded Package Thickness	A2	.088	.091	.094	2.24	2.31	2.39
Standoff §	A1	.004	.008	.012	0.10	0.20	0.30
Overall Width	E	.394	.407	.420	10.01	10.34	10.67
Molded Package Width	E1	.291	.295	.299	7.39	7.49	7.59
Overall Length	D	.496	.504	.512	12.60	12.80	13.00
Chamfer Distance	h	.010	.020	.029	0.25	0.50	0.74
Foot Length	L	.016	.033	.050	0.41	0.84	1.27
Foot Angle	φ	0	4	8	0	4	8
Lead Thickness	c	.009	.011	.013	0.23	0.28	0.33
Lead Width	B	.014	.017	.020	0.36	0.42	0.51
Mold Draft Angle Top	α	0	12	15	0	12	15
Mold Draft Angle Bottom	β	0	12	15	0	12	15

* Controlling Parameter
 § Significant Characteristic

Notes:

Dimensions D and E1 do not include mold flash or protrusions. Mold flash or protrusions shall not exceed .010" (0.254mm) per side.

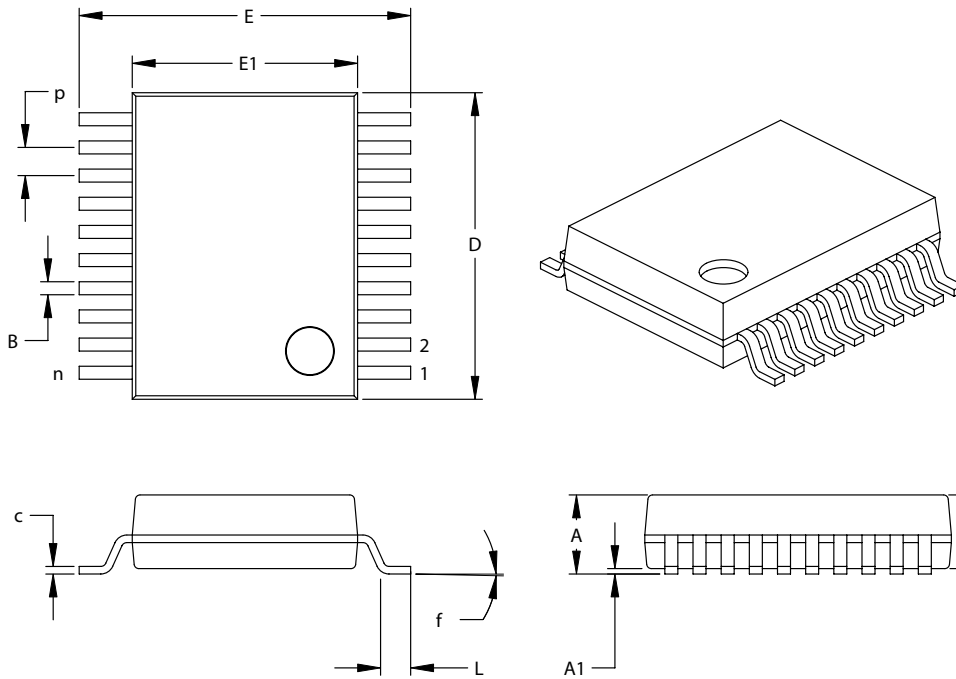
JEDEC Equivalent: MS-013

Drawing No. C04-094

PS200

[查询PS200供应商](#)

20-Lead Plastic Shrink Small Outline (SS) – 209 mil Body, 5.30 mm (SSOP)



Dimension Limits		Units	INCHES			MILLIMETERS*		
			MIN	NOM	MAX	MIN	NOM	MAX
Number of Pins	n		20			20		
Pitch	P			.026		0.65		
Overall Height	A	-	-	.079	-	-	2.00	
Molded Package Thickness	A2	.065	.069	.073	1.65	1.75	1.85	
Standoff	A1	.002	-	-	0.05	-	-	
Overall Width	E	.291	.307	.323	7.40	7.80	8.20	
Molded Package Width	E1	.197	.209	.220	5.00	5.30	5.60	
Overall Length	D	.272	.283	.289	.295	7.20	7.50	
Foot Length	L	.022	.030	.037	0.55	0.75	0.95	
Lead Thickness	c	.004	-	.010	0.09	-	0.25	
Foot Angle	f	0°	4°	8°	0°	4°	8°	
Lead Width	B	.009	-	.015	0.22	-	0.38	

*Controlling Parameter

Notes:

Dimensions D and E1 do not include mold flash or protrusions. Mold flash or protrusions shall not exceed .010" (0.254mm) per side.

JEDEC Equivalent: MO-150

Drawing No. C04-072

Revised 11/03/03

THE MICROCHIP WEB SITE

Microchip provides online support via our WWW site at www.microchip.com. This web site is used as a means to make files and information easily available to customers. Accessible by using your favorite Internet browser, the web site contains the following information:

- **Product Support** – Data sheets and errata, application notes and sample programs, design resources, user's guides and hardware support documents, latest software releases and archived software
- **General Technical Support** – Frequently Asked Questions (FAQ), technical support requests, online discussion groups, Microchip consultant program member listing
- **Business of Microchip** – Product selector and ordering guides, latest Microchip press releases, listing of seminars and events, listings of Microchip sales offices, distributors and factory representatives

CUSTOMER CHANGE NOTIFICATION SERVICE

Microchip's customer notification service helps keep customers current on Microchip products. Subscribers will receive e-mail notification whenever there are changes, updates, revisions or errata related to a specified product family or development tool of interest.

To register, access the Microchip web site at www.microchip.com, click on Customer Change Notification and follow the registration instructions.

CUSTOMER SUPPORT

Users of Microchip products can receive assistance through several channels:

- Distributor or Representative
- Local Sales Office
- Field Application Engineer (FAE)
- Technical Support
- Development Systems Information Line

Customers should contact their distributor, representative or field application engineer (FAE) for support. Local sales offices are also available to help customers. A listing of sales offices and locations is included in the back of this document.

Technical support is available through the web site at: <http://support.microchip.com>

In addition, there is a Development Systems Information Line which lists the latest versions of Microchip's development systems software products. This line also provides information on how customers can receive currently available upgrade kits.

The Development Systems Information Line numbers are:

1-800-755-2345 – United States and most of Canada

1-480-792-7302 – Other International Locations

PS200

[查询PS200供应商](#)

READER RESPONSE

It is our intention to provide you with the best documentation possible to ensure successful use of your Microchip product. If you wish to provide your comments on organization, clarity, subject matter, and ways in which our documentation can better serve you, please FAX your comments to the Technical Publications Manager at (480) 792-4150.

Please list the following information, and use this outline to provide us with your comments about this document.

To: Technical Publications Manager
RE: Reader Response
Total Pages Sent _____

From: Name _____
Company _____
Address _____
City / State / ZIP / Country _____
Telephone: (_____) _____ - _____ FAX: (_____) _____ - _____

Application (optional):

Would you like a reply? ___Y ___N

Device: PS200

Literature Number: DS21891B

Questions:

1. What are the best features of this document?

2. How does this document meet your hardware and software development needs?

3. Do you find the organization of this document easy to follow? If not, why?

4. What additions to the document do you think would enhance the structure and subject?

5. What deletions from the document could be made without affecting the overall usefulness?

6. Is there any incorrect or misleading information (what and where)?

7. How would you improve this document?

[查询PS200供应商](#)

PRODUCT IDENTIFICATION SYSTEM

To order or obtain information, e.g., on pricing or delivery, refer to the factory or the listed sales office.

<u>PART NO.</u>	<u>X</u>	<u>XX</u>	<u>XXX</u>
Device	Temperature Range	Package	Pattern
Device	PS200		
Temperature Range	I = -20°C to +85°C (Industrial)		
Package	P = PDIP SO = SOIC SS = SSOP		

Examples:

- a) PS200-I/SO = Industrial Temperature, SOIC package
- b) PS200-I/SS = Industrial Temperature, SSOP package
- c) PS200-I/P = Industrial Temperature, PDIP package

WORLDWIDE SALES AND SERVICE

AMERICAS

Corporate Office
2355 West Chandler Blvd.
Chandler, AZ 85224-6199
Tel: 480-792-7200
Fax: 480-792-7277
Technical Support:
<http://support.microchip.com>
Web Address:
www.microchip.com

Atlanta
Alpharetta, GA
Tel: 770-640-0034
Fax: 770-640-0307

Boston
Westford, MA
Tel: 978-692-3848
Fax: 978-692-3821

Chicago
Itasca, IL
Tel: 630-285-0071
Fax: 630-285-0075

Dallas
Addison, TX
Tel: 972-818-7423
Fax: 972-818-2924

Detroit
Farmington Hills, MI
Tel: 248-538-2250
Fax: 248-538-2260

Kokomo
Kokomo, IN
Tel: 765-864-8360
Fax: 765-864-8387

Los Angeles
Mission Viejo, CA
Tel: 949-462-9523
Fax: 949-462-9608

San Jose
Mountain View, CA
Tel: 650-215-1444
Fax: 650-961-0286

Toronto
Mississauga, Ontario,
Canada
Tel: 905-673-0699
Fax: 905-673-6509

ASIA/PACIFIC

Australia - Sydney
Tel: 61-2-9868-6733
Fax: 61-2-9868-6755

China - Beijing
Tel: 86-10-8528-2100
Fax: 86-10-8528-2104

China - Chengdu
Tel: 86-28-8676-6200
Fax: 86-28-8676-6599

China - Fuzhou
Tel: 86-591-8750-3506
Fax: 86-591-8750-3521

China - Hong Kong SAR
Tel: 852-2401-1200
Fax: 852-2401-3431

China - Shanghai
Tel: 86-21-5407-5533
Fax: 86-21-5407-5066

China - Shenyang
Tel: 86-24-2334-2829
Fax: 86-24-2334-2393

China - Shenzhen
Tel: 86-755-8203-2660
Fax: 86-755-8203-1760

China - Shunde
Tel: 86-757-2839-5507
Fax: 86-757-2839-5571

China - Qingdao
Tel: 86-532-502-7355
Fax: 86-532-502-7205

ASIA/PACIFIC

India - Bangalore
Tel: 91-80-2229-0061
Fax: 91-80-2229-0062

India - New Delhi
Tel: 91-11-5160-8631
Fax: 91-11-5160-8632

Japan - Kanagawa
Tel: 81-45-471-6166
Fax: 81-45-471-6122

Korea - Seoul
Tel: 82-2-554-7200
Fax: 82-2-558-5932 or
82-2-558-5934

Singapore
Tel: 65-6334-8870
Fax: 65-6334-8850

Taiwan - Kaohsiung
Tel: 886-7-536-4818
Fax: 886-7-536-4803

Taiwan - Taipei
Tel: 886-2-2500-6610
Fax: 886-2-2508-0102

Taiwan - Hsinchu
Tel: 886-3-572-9526
Fax: 886-3-572-6459

EUROPE

Austria - Weis
Tel: 43-7242-2244-399
Fax: 43-7242-2244-393

Denmark - Ballerup
Tel: 45-4450-2828
Fax: 45-4485-2829

France - Massy
Tel: 33-1-69-53-63-20
Fax: 33-1-69-30-90-79

Germany - Ismaning
Tel: 49-89-627-144-0
Fax: 49-89-627-144-44

Italy - Milan
Tel: 39-0331-742611
Fax: 39-0331-466781

Netherlands - Drunen
Tel: 31-416-690399
Fax: 31-416-690340

England - Berkshire
Tel: 44-118-921-5869
Fax: 44-118-921-5820