

**Linear Building Block – Dual Low Power Op Amp**

**Features**

- Optimized for Single Supply Operation
- Small Packages: 8-Pin MSOP, 8-Pin PDIP and 8-Pin SOIC
- Ultra Low Input Bias Current: Less than 100pA
- Low Quiescent Current: 12µA (Typ.)
- Rail-to-Rail Inputs and Outputs
- Operates Down to 1.8V

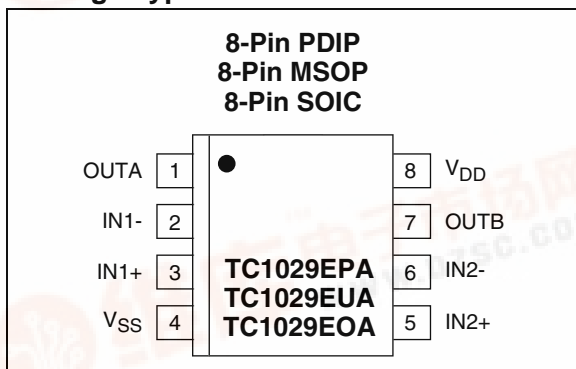
**Applications**

- Power Management Circuits
- Battery Operated Equipment
- Consumer Products

**Device Selection Table**

Part Number	Package	Temperature Range
TC1029EPA	8-Pin PDIP	-40°C to +85°C
TC1029EUA	8-Pin MSOP	-40°C to +85°C
TC1029EOA	8-Pin SOIC	-40°C to +85°C

**Package Types**



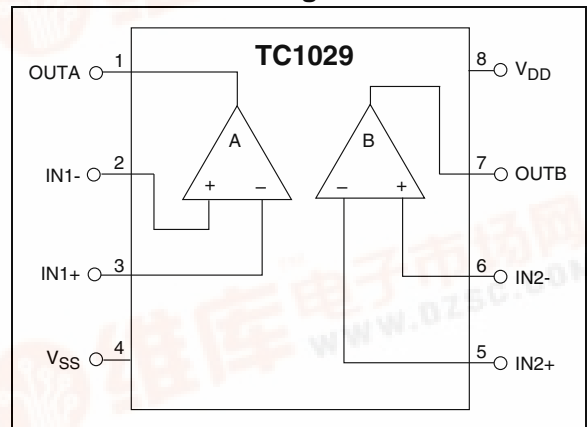
**General Description**

The TC1029 is a dual, CMOS operational amplifier designed for low-power applications. It is designed specifically for operation from a single supply, however, operation from dual supplies is also possible, and the power supply current drain is independent of the magnitude of the power supply voltage. The TC1029 operates from two 1.5V alkaline cells down to V<sub>DD</sub> = 1.8V. Supply current is only typically 12µA, which significantly extends battery life.

Rail-to-rail inputs and outputs allow operation from low supply voltages while accommodating large input signals, yielding larger output signals.

Packaged in an 8-Pin MSOP, SOIC or DIP, the TC1029 is ideal for battery operated applications.

**Functional Block Diagram**



# TC1029

[查询TC1029供应商](#)

## 1.0 ELECTRICAL CHARACTERISTICS

### ABSOLUTE MAXIMUM RATINGS\*

Supply Voltage ..... 6.0V  
 Voltage on Any Pin ..... ( $V_{SS} - 0.5V$ ) to ( $V_{DD} + 0.5V$ )  
 Junction Temperature ..... +150°C  
 Operating Temperature Range ..... -40°C to +85°C  
 Storage Temperature Range ..... -55°C to +150°C

\*Stresses above those listed under "Absolute Maximum Ratings" may cause permanent damage to the device. These are stress ratings only and functional operation of the device at these or any other conditions above those indicated in the operation sections of the specifications is not implied. Exposure to Absolute Maximum Rating conditions for extended periods may affect device reliability.

### TC1029 ELECTRICAL SPECIFICATIONS

Electrical Characteristics: Typical values apply at 25°C and $V_{DD} = 3.0V$ ; $T_A = -40^\circ$ to +85°C, and $V_{DD} = 1.8V$ to 5.5V, unless otherwise specified.						
Symbol	Parameter	Min	Typ	Max	Units	Test Conditions
$V_{DD}$	Supply Voltage	1.8	—	5.5	V	
$I_Q$	Supply Current, Operating	—	12	16	$\mu A$	All Outputs Open
$A_{VOL}$	Large Signal Voltage Gain	—	100	—	V/mV	$R_L = 10k\Omega$ , $V_{DD} = 5V$
$V_{ICMR}$	Common Mode Input Voltage Range	$V_{SS} - 0.2$	—	$V_{DD} + 0.2$	V	
$V_{OS}$	Input Offset Voltage		$\pm 100$ $\pm 0.3$	$\pm 500$ $\pm 1.5$	$\mu V$ mV	$V_{DD} = 3V$ , $V_{CM} = 1.5V$ , $T_A = 25^\circ C$ , $T_A = -40^\circ C$ to $85^\circ C$
$I_B$	Input Bias Current	-100	50	100	pA	$T_A = 25^\circ C$ ; $V_{CM} = V_{DD}$ to $V_{SS}$
$V_{OS(DRIFT)}$	Input Offset Voltage Drift	—	$\pm 4$	—	$\mu V/^\circ C$	$V_{DD} = 3V$ ; $V_{CM} = 1.5V$
GBWP	Gain Bandwidth Product	—	90	—	kHz	$V_{DD} = 1.8V$ to $5.5V$ ; $V_O = V_{DD}$ to $V_{SS}$
SR	Slew Rate	—	35	—	mV/ $\mu sec$	$C_L = 100pF$ ; $R_L = 1M$ to GND, Gain = 1 $V_{IN} = V_{SS}$ to $V_{DD}$
$V_{OUT}$	Output Signal Swing	$V_{SS} + 0.05$	—	$V_{DD} - 0.05$	V	$R_L = 10k\Omega$
CMRR	Common Mode Rejection Ratio	70	—	—	dB	$T_A = 25^\circ C$ ; $V_{DD} = 5V$ ; $V_{CM} = V_{DD}$ to $V_{SS}$
PSRR	Power Supply Rejection Ratio	80	—	—	dB	$T_A = 25^\circ C$ ; $V_{CM} = V_{SS}$ ; $V_{DD} = 1.8V$ to $5V$
$I_{SRC}$	Output Source Current	3	—	—	mA	$V_{IN} = V_{DD}$ Output Shorted to $V_{SS}$ $V_{DD} = 1.8V$ ; Gain = 1
$I_{SINK}$	Output Sink Current	4	—	—	mA	$V_{IN} = V_{SS}$ Output Shorted to $V_{DD}$ $V_{DD} = 1.8V$ ; Gain = 1
$E_n$	Input Noise Voltage	—	10	—	$\mu V_{pp}$	0.1Hz to 10Hz
$e_n$	Input Noise Voltage Density	—	125	—	nV/ $\sqrt{HZ}$	1kHz

## 2.0 PIN DESCRIPTION

The description of the pins are listed in Table 2-1.

**TABLE 2-1: PIN FUNCTION TABLE**

Pin No. (8-Pin PDIP) (8-Pin MSOP) (8-Pin SOIC)	Symbol	Description
1	OUTA	Op amp output.
2	IN1-	Inverting op amp input.
3	IN1+	Non-inverting op amp input.
4	V <sub>SS</sub>	Negative power supply.
5	IN2+	Non-inverting op amp input.
6	IN2-	Inverting op amp input.
7	OUTB	Op amp output.
8	V <sub>DD</sub>	Positive power supply.

## 3.0 DETAILED DESCRIPTION

The TC1029 is one of a series of very low power, linear building block products for low voltage single supply operations. The TC1029 contains two rail to rail op amps which operate down to 1.8V with a maximum supply current of 16 $\mu$ A. The amplifier's input range extends beyond both supplies by 200mV and the outputs will swing to within several millivolts of the supplies, depending on the load current being driven.

The amplifier design is such that large signal gain, slew rate and bandwidth are largely independent of supply voltage. The low input bias current and offset voltage of the TC1029 make it suitable for precision applications.

## 4.0 TYPICAL APPLICATIONS

The TC1029 lends itself to a wide variety of applications, particularly in battery powered systems. It typically finds application in power management, processor supervisory and interface circuitry.

### 4.1 Voice Band Receive Filter

The majority of spectral energy for human voices is found to be in a 2.7kHz frequency band from 300Hz to 3kHz. To properly recover a voice signal in applications such as radios, cellular phones and voice pagers, a low power bandpass filter matched to the human voice spectrum can be implemented, using Microchip's CMOS op amps. Figure 4-1 shows a unity gain multi-pole Butterworth filter with ripple less than 0.15dB in the human voice band. The lower 3 dB cut-off frequency is 70Hz (single order response), while the upper cut-off frequency is 3.5kHz (fourth order response).

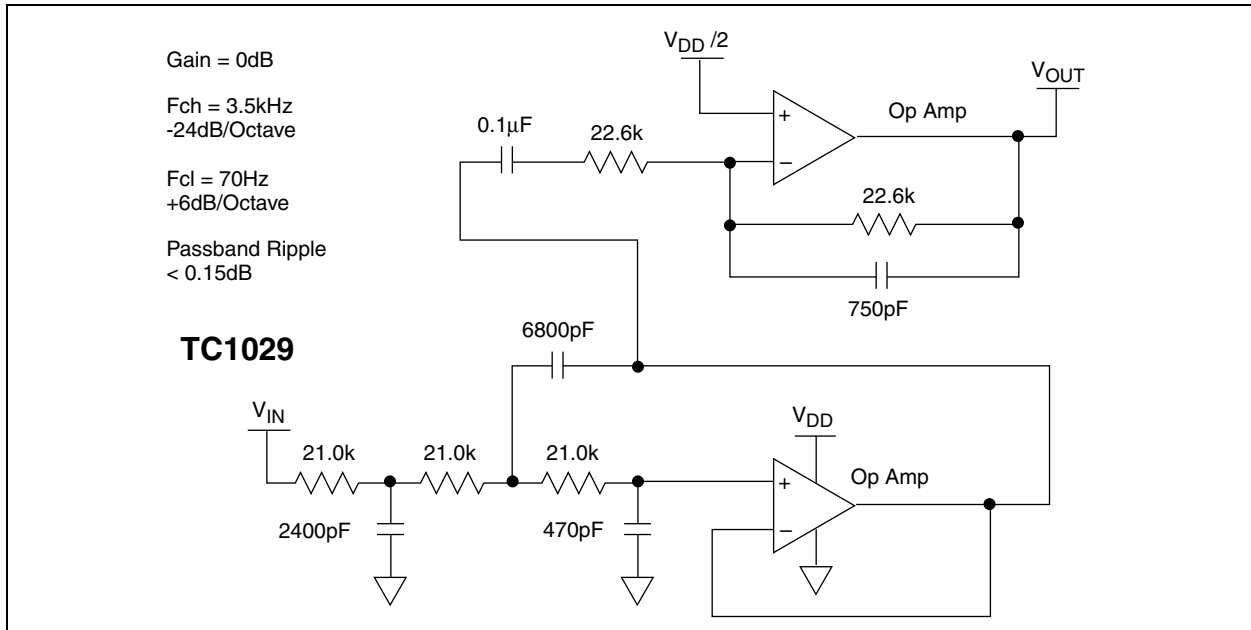
### 4.2 Supervisory Audio Tone (SAT) Filter for Cellular

Supervisory Audio Tones (SAT) provide a reliable transmission path between cellular subscriber units and base stations. The SAT tone functions much like the current/voltage used in land line telephone systems to indicate that a phone is off the hook. The SAT tone may be one of three frequencies: 5970, 6000 or 6030Hz. A loss of SAT implies that channel conditions are impaired and if SAT is interrupted for more than 5 seconds a cellular call is terminated.

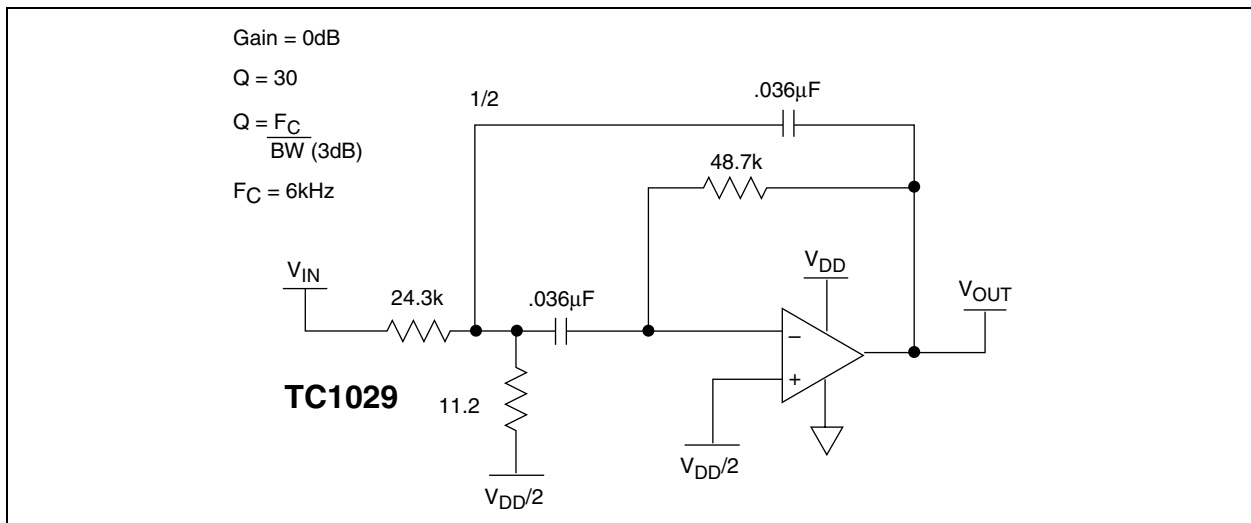
Figure 4-2 shows high Q (30) second order SAT detection bandpass filter using Microchip's CMOS op amp architecture. This circuit nulls all frequencies except the three SAT tones of interest.

[查询TC1029供应商](#)

**FIGURE 4-1: MULTI-POLE BUTTERWORTH VOICE BAND RECEIVE FILTER**



**FIGURE 4-2: SECOND ORDER SAT BANDPASS FILTER**

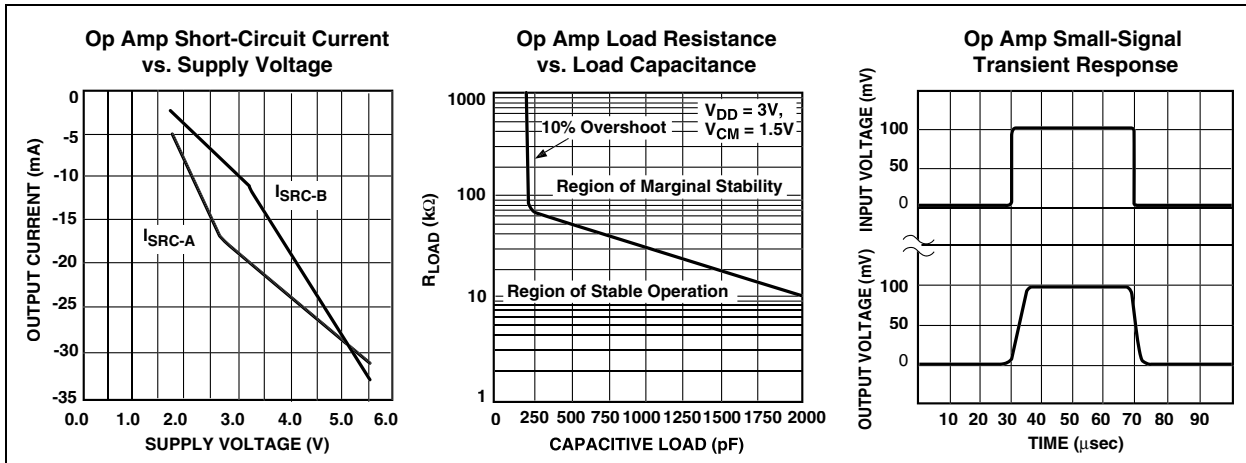
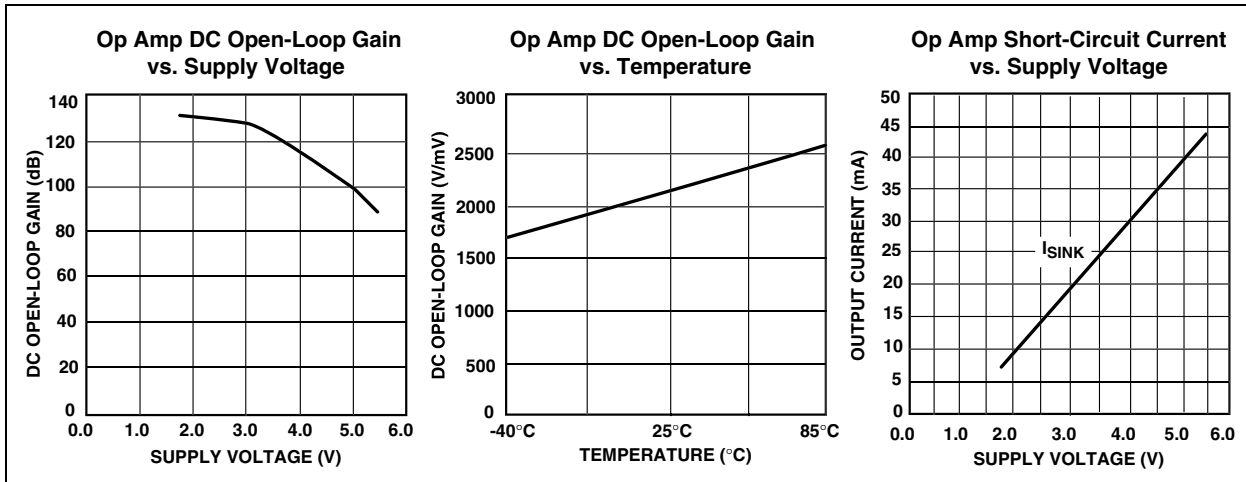
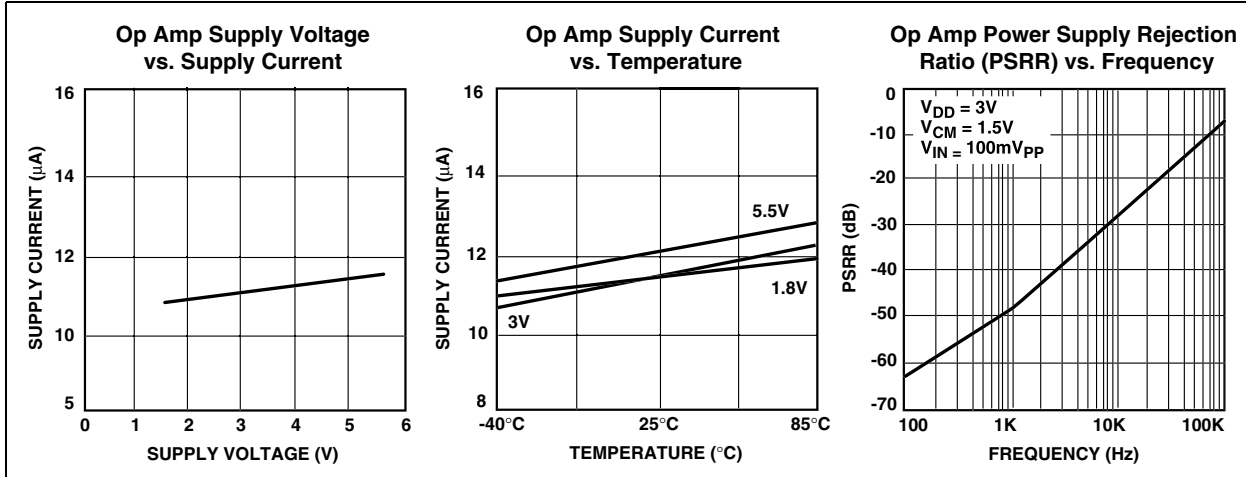


# TC1029

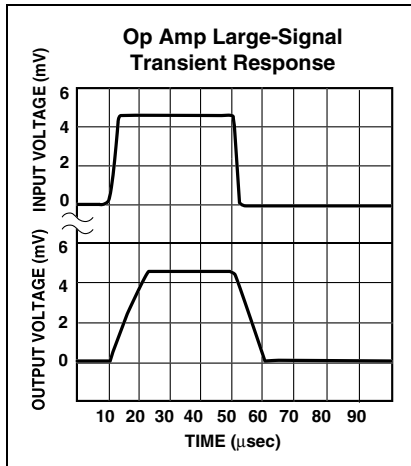
[查询TC1029供应商](#)

## 5.0 TYPICAL CHARACTERISTICS

**Note:** The graphs and tables provided following this note are a statistical summary based on a limited number of samples and are provided for informational purposes only. The performance characteristics listed herein are not tested or guaranteed. In some graphs or tables, the data presented may be outside the specified operating range (e.g., outside specified power supply range) and therefore outside the warranted range.



## 5.0 TYPICAL CHARACTERISTICS (CONTINUED)



# TC1029

[查询TC1029供应商](#)

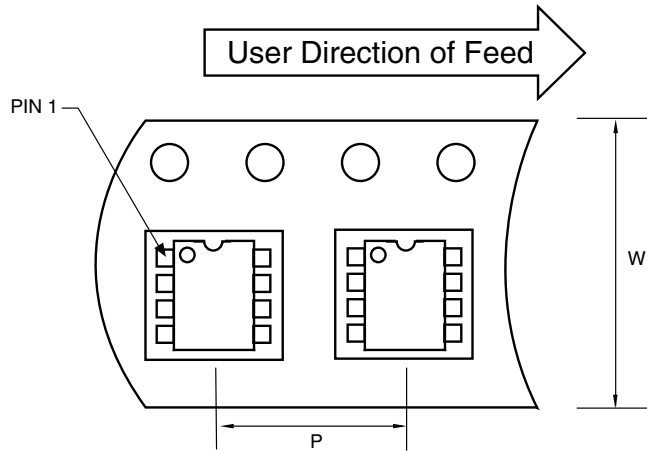
## 6.0 PACKAGING INFORMATION

### 6.1 Package Marking Information

Package marking data not available at this time.

### 6.2 Taping Form

#### Component Taping Orientation for 8-Pin MSOP Devices

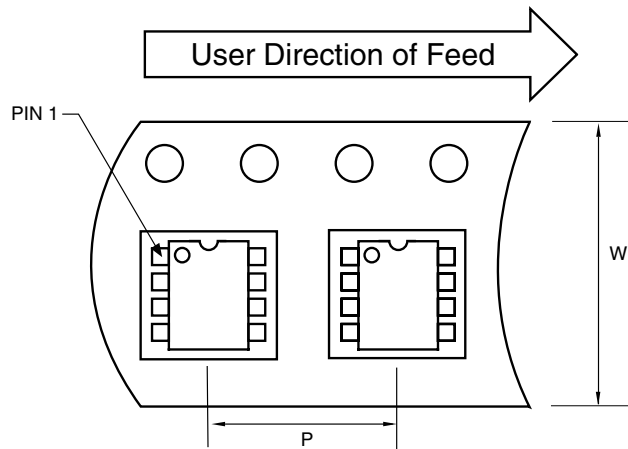


Standard Reel Component Orientation  
for TR Suffix Device

**Carrier Tape, Number of Components Per Reel and Reel Size**

Package	Carrier Width (W)	Pitch (P)	Part Per Full Reel	Reel Size
8-Pin MSOP	12 mm	8 mm	2500	13 in

#### Component Taping Orientation for 8-Pin SOIC (Narrow) Devices



Standard Reel Component Orientation  
for TR Suffix Device

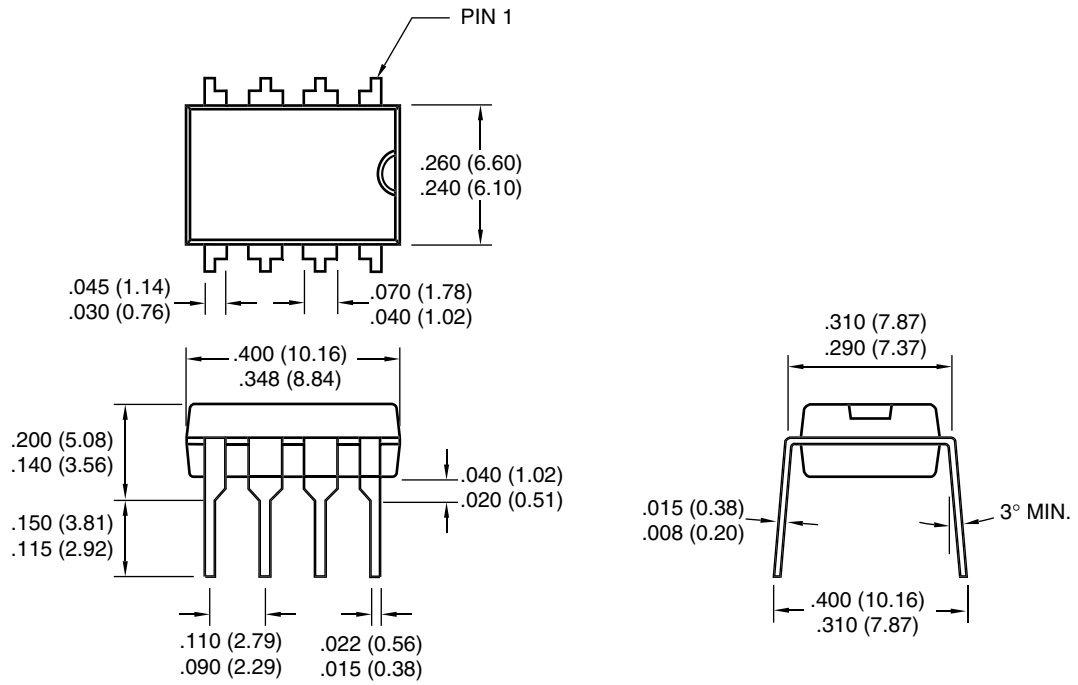
**Carrier Tape, Number of Components Per Reel and Reel Size**

Package	Carrier Width (W)	Pitch (P)	Part Per Full Reel	Reel Size
8-Pin SOIC (N)	12 mm	8 mm	2500	13 in



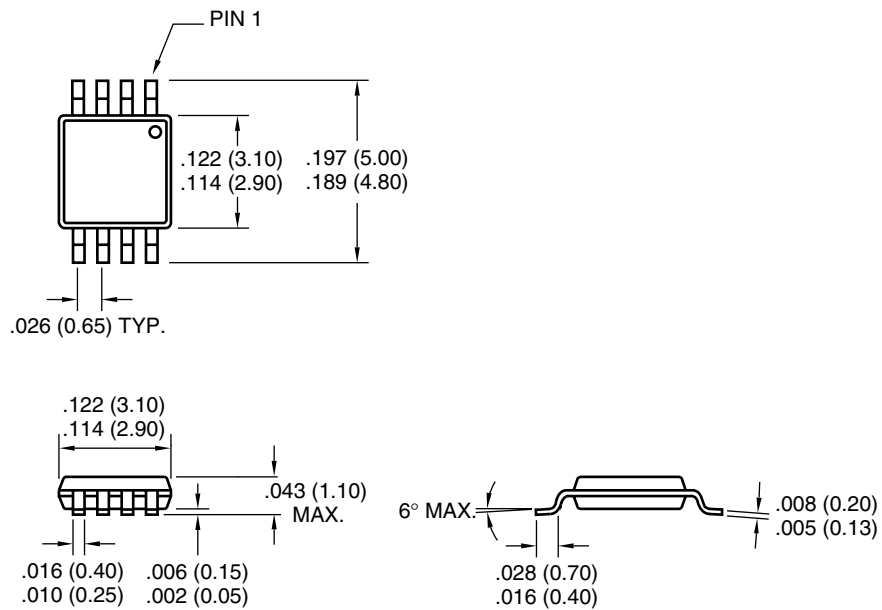
## 6.3 Package Dimensions

### 8-Pin Plastic DIP



Dimensions: inches (mm)

### 8-Pin MSOP



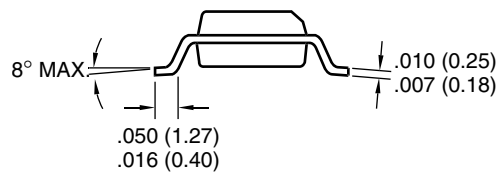
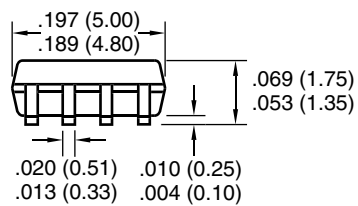
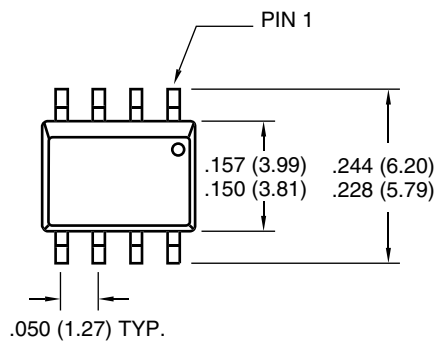
Dimensions: inches (mm)

# TC1029

[查询TC1029供应商](#)

## 6.3 Package Dimensions (Continued)

### 8-Pin SOIC



Dimensions: inches (mm)

[查询TC1029供应商](#)

## **Sales and Support**

### **Data Sheets**

Products supported by a preliminary Data Sheet may have an errata sheet describing minor operational differences and recommended workarounds. To determine if an errata sheet exists for a particular device, please contact one of the following:

1. Your local Microchip sales office
2. The Microchip Corporate Literature Center U.S. FAX: (480) 792-7277
3. The Microchip Worldwide Site ([www.microchip.com](http://www.microchip.com))

Please specify which device, revision of silicon and Data Sheet (include Literature #) you are using.

### **New Customer Notification System**

Register on our web site ([www.microchip.com/cn](http://www.microchip.com/cn)) to receive the most current information on our products.

# TC1029

---

[查询TC1029供应商](#)

**NOTES:**

Information contained in this publication regarding device applications and the like is intended through suggestion only and may be superseded by updates. It is your responsibility to ensure that your application meets with your specifications. No representation or warranty is given and no liability is assumed by Microchip Technology Incorporated with respect to the accuracy or use of such information, or infringement of patents or other intellectual property rights arising from such use or otherwise. Use of Microchip's products as critical components in life support systems is not authorized except with express written approval by Microchip. No licenses are conveyed, implicitly or otherwise, under any intellectual property rights.

## Trademarks


The Microchip name and logo, the Microchip logo, FilterLab, KEELOQ, microID, MPLAB, PIC, PICmicro, PICMASTER, PICSTART, PRO MATE, SEEVAL and The Embedded Control Solutions Company are registered trademarks of Microchip Technology Incorporated in the U.S.A. and other countries.

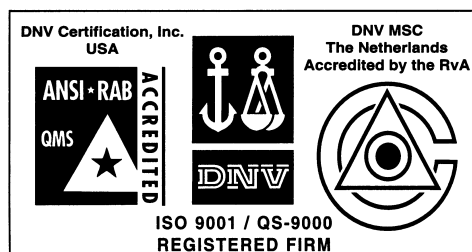
dsPIC, ECONOMONITOR, FanSense, FlexROM, fuzzyLAB, In-Circuit Serial Programming, ICSP, ICEPIC, microPort, Migratable Memory, MPASM, MPLIB, MPLINK, MPSIM, MXDEV, PICC, PICDEM, PICDEM.net, rfPIC, Select Mode and Total Endurance are trademarks of Microchip Technology Incorporated in the U.S.A.

Serialized Quick Turn Programming (SQTP) is a service mark of Microchip Technology Incorporated in the U.S.A.

All other trademarks mentioned herein are property of their respective companies.

© 2002, Microchip Technology Incorporated, Printed in the U.S.A., All Rights Reserved.

 Printed on recycled paper.



*Microchip received QS-9000 quality system certification for its worldwide headquarters, design and wafer fabrication facilities in Chandler and Tempe, Arizona in July 1999 and Mountain View, California in March 2002. The Company's quality system processes and procedures are QS-9000 compliant for its PICmicro® 8-bit MCUs, KEELOQ® code hopping devices, Serial EEPROMs, microperipherals, non-volatile memory and analog products. In addition, Microchip's quality system for the design and manufacture of development systems is ISO 9001 certified.*

**WORLDWIDE SALES AND SERVICE**

**AMERICAS**

**Corporate Office**

2355 West Chandler Blvd.  
Chandler, AZ 85224-6199  
Tel: 480-792-7200 Fax: 480-792-7277  
Technical Support: 480-792-7627  
Web Address: <http://www.microchip.com>

**Rocky Mountain**

2355 West Chandler Blvd.  
Chandler, AZ 85224-6199  
Tel: 480-792-7966 Fax: 480-792-7456

**Atlanta**

500 Sugar Mill Road, Suite 200B  
Atlanta, GA 30350  
Tel: 770-640-0034 Fax: 770-640-0307

**Boston**

2 Lan Drive, Suite 120  
Westford, MA 01886  
Tel: 978-692-3848 Fax: 978-692-3821

**Chicago**

333 Pierce Road, Suite 180  
Itasca, IL 60143  
Tel: 630-285-0071 Fax: 630-285-0075

**Dallas**

4570 Westgrove Drive, Suite 160  
Addison, TX 75001  
Tel: 972-818-7423 Fax: 972-818-2924

**Detroit**

Tri-Atria Office Building  
32255 Northwestern Highway, Suite 190  
Farmington Hills, MI 48334  
Tel: 248-538-2250 Fax: 248-538-2260

**Kokomo**

2767 S. Albright Road  
Kokomo, Indiana 46902  
Tel: 765-864-8360 Fax: 765-864-8387

**Los Angeles**

18201 Von Karman, Suite 1090  
Irvine, CA 92612  
Tel: 949-263-1888 Fax: 949-263-1338

**New York**

150 Motor Parkway, Suite 202  
Hauppauge, NY 11788  
Tel: 631-273-5305 Fax: 631-273-5335

**San Jose**

Microchip Technology Inc.  
2107 North First Street, Suite 590  
San Jose, CA 95131  
Tel: 408-436-7950 Fax: 408-436-7955

**Toronto**

6285 Northam Drive, Suite 108  
Mississauga, Ontario L4V 1X5, Canada  
Tel: 905-673-0699 Fax: 905-673-6509

**ASIA/PACIFIC**

**Australia**

Microchip Technology Australia Pty Ltd  
Suite 22, 41 Rawson Street  
Epping 2121, NSW  
Australia  
Tel: 61-2-9868-6733 Fax: 61-2-9868-6755

**China - Beijing**

Microchip Technology Consulting (Shanghai)  
Co., Ltd., Beijing Liaison Office  
Unit 915  
Bei Hai Wan Tai Bldg.  
No. 6 Chaoyangmen Beidajie  
Beijing, 100027, No. China  
Tel: 86-10-85282100 Fax: 86-10-85282104

**China - Chengdu**

Microchip Technology Consulting (Shanghai)  
Co., Ltd., Chengdu Liaison Office  
Rm. 2401, 24th Floor,  
Ming Xing Financial Tower  
No. 88 TIDU Street  
Chengdu 610016, China  
Tel: 86-28-6766200 Fax: 86-28-6766599

**China - Fuzhou**

Microchip Technology Consulting (Shanghai)  
Co., Ltd., Fuzhou Liaison Office  
Unit 28F, World Trade Plaza  
No. 71 Wusi Road  
Fuzhou 350001, China  
Tel: 86-591-7503506 Fax: 86-591-7503521

**China - Shanghai**

Microchip Technology Consulting (Shanghai)  
Co., Ltd.  
Room 701, Bldg. B  
Far East International Plaza  
No. 317 Xian Xia Road  
Shanghai, 200051  
Tel: 86-21-6275-5700 Fax: 86-21-6275-5060

**China - Shenzhen**

Microchip Technology Consulting (Shanghai)  
Co., Ltd., Shenzhen Liaison Office  
Rm. 1315, 13/F, Shenzhen Kerry Centre,  
Renminnan Lu  
Shenzhen 518001, China  
Tel: 86-755-2350361 Fax: 86-755-2366086

**Hong Kong**

Microchip Technology Hongkong Ltd.  
Unit 901-6, Tower 2, Metroplaza  
223 Hing Fong Road  
Kwai Fong, N.T., Hong Kong  
Tel: 852-2401-1200 Fax: 852-2401-3431

**India**

Microchip Technology Inc.  
India Liaison Office  
Divyasree Chambers  
1 Floor, Wing A (A3/A4)  
No. 11, O'Shaugnessey Road  
Bangalore, 560 025, India  
Tel: 91-80-2290061 Fax: 91-80-2290062

**Japan**

Microchip Technology Japan K.K.  
Benex S-1 6F  
3-18-20, Shinyokohama  
Kohoku-Ku, Yokohama-shi  
Kanagawa, 222-0033, Japan  
Tel: 81-45-471-6166 Fax: 81-45-471-6122

**Korea**

Microchip Technology Korea  
168-1, Youngbo Bldg. 3 Floor  
Samsung-Dong, Kangnam-Ku  
Seoul, Korea 135-882  
Tel: 82-2-554-7200 Fax: 82-2-558-5934

**Singapore**

Microchip Technology Singapore Pte Ltd.  
200 Middle Road  
#07-02 Prime Centre  
Singapore, 188980  
Tel: 65-6334-8870 Fax: 65-6334-8850

**Taiwan**

Microchip Technology Taiwan  
11F-3, No. 207  
Tung Hua North Road  
Taipei, 105, Taiwan  
Tel: 886-2-2717-7175 Fax: 886-2-2545-0139

**EUROPE**

**Denmark**

Microchip Technology Nordic ApS  
Regus Business Centre  
Lautrup høj 1-3  
Ballerup DK-2750 Denmark  
Tel: 45 4420 9895 Fax: 45 4420 9910

**France**

Microchip Technology SARL  
Parc d'Activite du Moulin de Massy  
43 Rue du Saule Trapu  
Batiment A - 1er Etage  
91300 Massy, France  
Tel: 33-1-69-53-63-20 Fax: 33-1-69-30-90-79

**Germany**

Microchip Technology GmbH  
Gustav-Heinemann Ring 125  
D-81739 Munich, Germany  
Tel: 49-89-627-144 0 Fax: 49-89-627-144-44

**Italy**

Microchip Technology SRL  
Centro Direzionale Colleoni  
Palazzo Taurus 1 V. Le Colleoni 1  
20041 Agrate Brianza  
Milan, Italy  
Tel: 39-039-65791-1 Fax: 39-039-6899883

**United Kingdom**

Arizona Microchip Technology Ltd.  
505 Eskdale Road  
Winnersh Triangle  
Wokingham  
Berkshire, England RG41 5TU  
Tel: 44 118 921 5869 Fax: 44-118 921-5820

03/01/02

