



B SERIES

1000VDC SINGLE OUTPUT 2WATT DC-DC CONVERTER

FEATURES

- 7 PIN SIP AND 14 PIN DIL PACKAGE.
- 1000VDC ISOLATION.
- UL 94V-0 PACKAGE MATERIAL.

GENERAL SPECIFICATIONS

- OUTPUT RIPPPL & NOISE :150mVp-p(20MHz B.W.)
- ISOLATION RESISTANCE :1000MΩ MIN @500VDC
- SWITHINGFREQUENCY :75KHz TYP.
- OPERATING TEMPERATURE :0 °C TO 70°C
- SHORT CIRCUIT PROTECTION :1 SEC
- ISOLATION VOLTAGE :1000 VDC

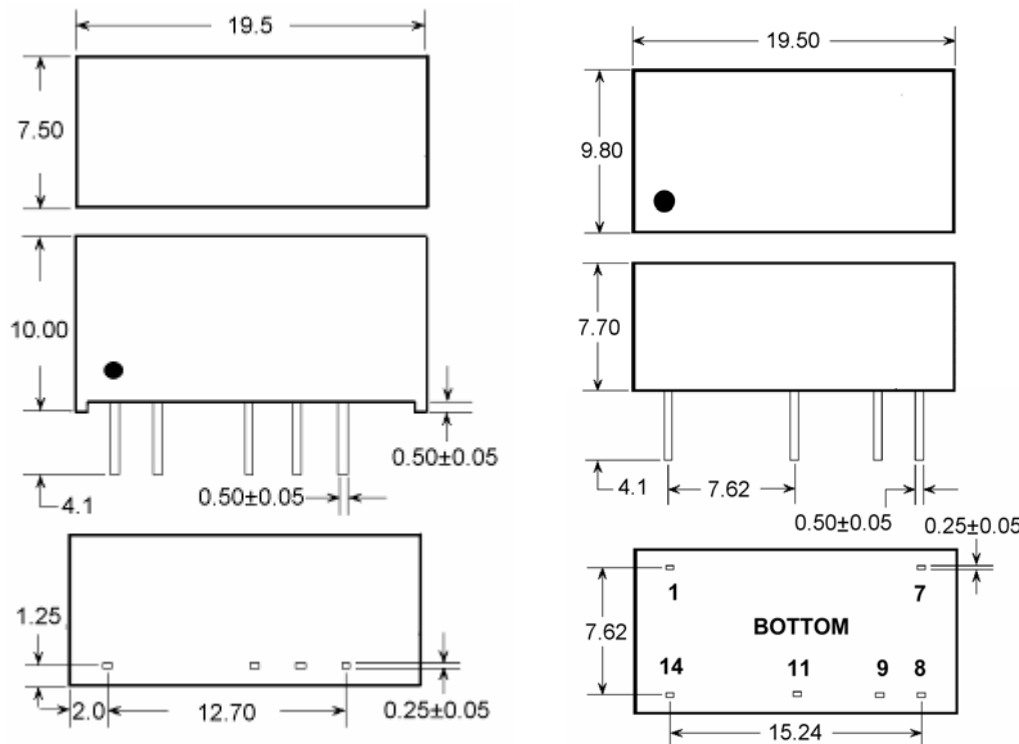
ELECTRICAL SPECIFICATIONS

- INPUT VOLTAGE RANGE :±10%
- OUTPUT VOLTAGE TOLERANCE :±5%
- LINE REGULATION(10% TO 100% F.L.) :±1.2% OF Vin
- LOAD REGULATION(10% TO 100% F.L.) :15% MAX
5V OUTPUT TYPES :10% MAX
9V,12V AND 15V OUTPUT TYPES :10% MAX

5v,12v,24v input types

PART NUMBER	OUTPUT VOLTAGE (VDC)	OUTPUT CURRENT (mA)	EFFICIENCY (% TYP.)	PACKAGE STYLE
BXX05S-2W	5	400	70	1
BXX09S-2W	9	222	73	1
BXX12S-2W	12	167	75	1
BXX15S-2W	15	133	78	1
BXX05D-2W	5	400	70	2
BXX09D-2W	9	222	73	2
BXX12D-2W	12	167	75	2
BXX15D-2W	15	133	78	2

MARKINGS AND DIMENSIONS



PIN CONNECTION

PIN	7PIN SIP		14PIN DIL
1	+INPUT	1	-INOUT
2	-INPUT	7	NC
4	-OUTPUT	8	COMMON
5	NC	9	+OUTPUT
6	+OUTPUT	11	NC
		14	+INPUT

Dimensions:inches/mm

Unless otherwise specified, all tolerances are ±.005/±0.13